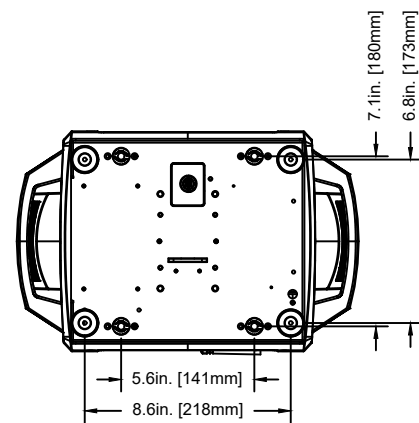
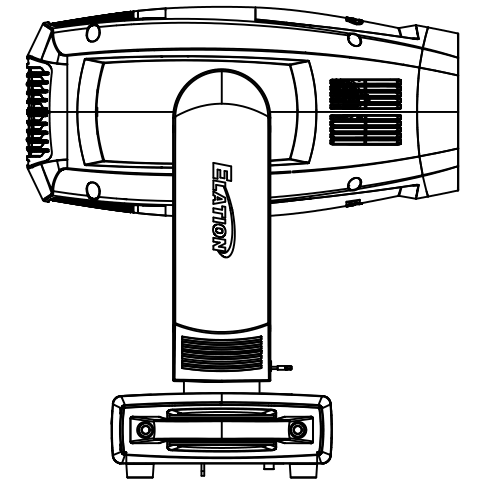
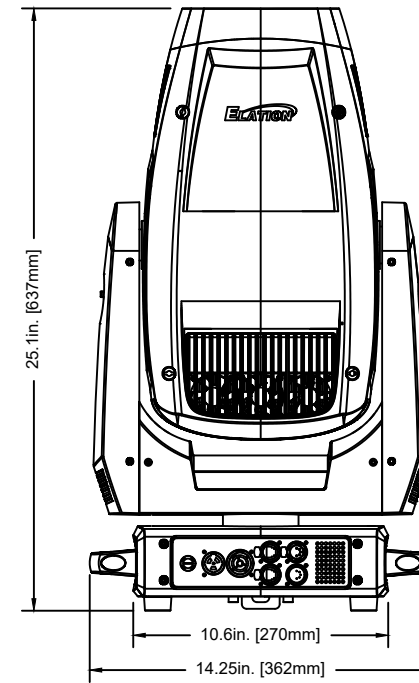
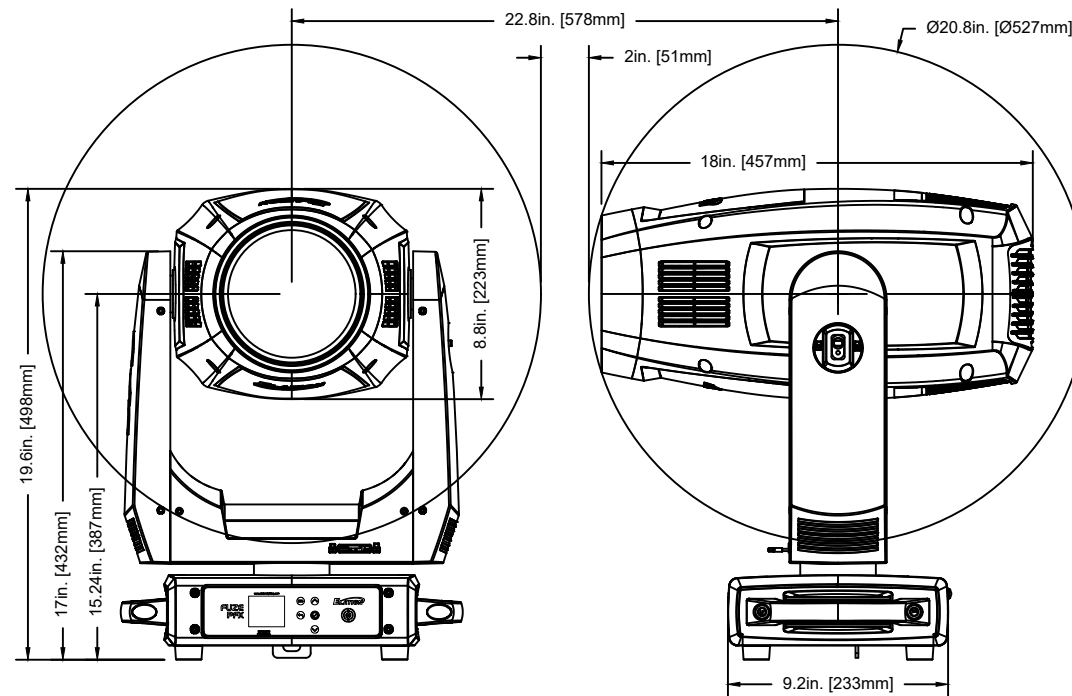
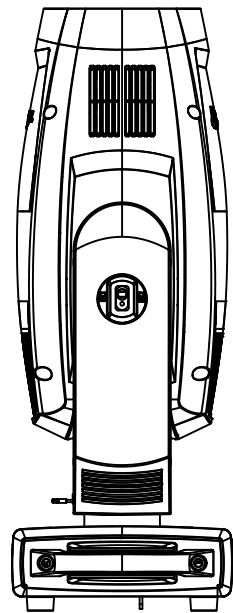
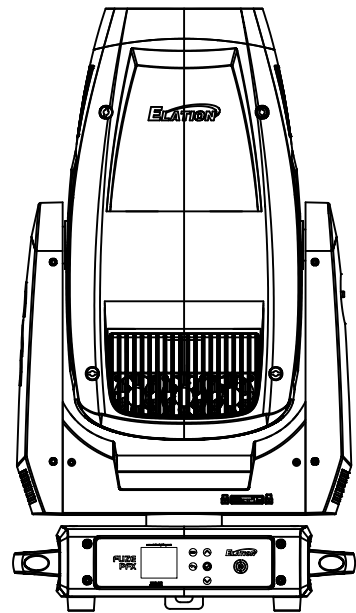
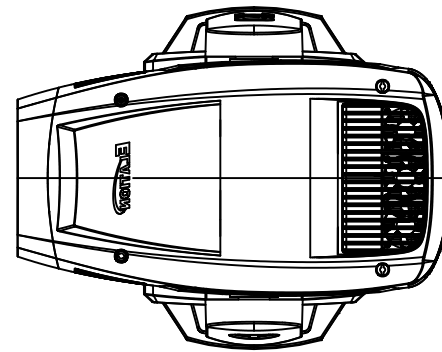
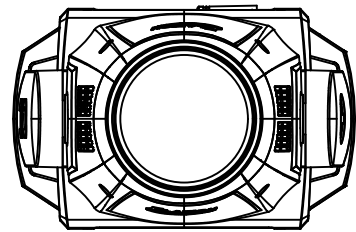


©ELATION all rights reserved. Information contained within this drawing is proprietary and confidential. Any reproduction and/or distribution of any part of this drawing without the written consent of Elation Professional is strictly prohibited. Diagrams and/or measurements herein subject to change without notice.



ELATION			
TITLE: FUZE PFX			DATE: 250106
SCALE: NONE	TOL: ±	.XX(.X) - .XXX(.XX) -	ANGLE: -