



PAR IP COMPACT



150W RGBMA IP65 LED PAR

PRELIMINARY DATA SHEET



KEY FEATURES

150W RGBMA LED Engine

ColourTune Technology Software Integration

5,700 Total Fixture Lumen Output (Sphere)

Field Replaceable Lenses

Stand-Alone Control with Touch Encoder and OLED Display

Smooth 16-bit Selectable Dimming Modes and Curves

RDM (Remote Device Management)

NFC & Aria x2 Wireless Device Management

6.25" Gel Frame and Four Lenses (10°, 22°, 30°, 55°)

Included

IP65 Rated

Compact, powerful, and versatile, the **KL PAR IP COMPACT** delivers exceptional lighting performance in a small, rugged package. Designed for any environment, this IP65-rated LED fixture offers precise color temperature control, full-spectrum rendering, and consistent wash coverage, powered by a highly efficient RGBMA engine that provides up to 5,474 lumens.

Its advanced ColourTune Technology delivers exceptional color accuracy (CRI 94.9, TLCI 95), 16-bit variable CCT control, and adjustable LED refresh frequency, making it perfect for film, television, and live events. With multiple lens options, DMX/RDM compatibility, and a touch bar encoder for instant adjustments, it's ready for any production need.

Streamline your lighting setup and discover how the **KL PAR IP COMPACT** can elevate your next production.





PAR IP COMPACT



150W RGBMA IP65 LED PAR

SPECIFICATIONS

SOURCE

150W 6000K RGBMA LED Engine
30,000 Hour Average LED Life*

*Test lab conditions. May vary depending on several factors including but not limited to: Environmental Conditions, Power/Voltage, Usage Patterns (On-Off Cycling), Control, and Dimming.

PHOTOMETRIC DATA

Total Lumen Output:
5,700 (Integrating Sphere)
TBA (Goniometer)
CRI 94.9
TLCI 95

INCLUDED LENSES

VNSP (10°)
NSP (22°)
MFL (30°)
WFL (55°)

EFFECTS

Variable Strobe Rate: 1- 20Hz
Dim-to-Warm/ Red Shift Emulation
Variable 16-bit Dimming Modes and Curves

COLOR

High Brightness and High Fidelity Output
Options
RGBMA Color Array
CMY Emulation
16bit Fully Variable CCT 2400K - 8500K
Green/Magenta Shift
Virtual Gel Swatch Book

CONTROL / CONNECTIONS

8 DMX Channel Modes (1, 4, 6, 10, 11, 19, 9, 15)
Manual and DMX Controlled Dimmer and Color
Single Touch Bar Encoder
4 Button Control Panel, LED Display
RDM (Remote Device Management)
Aria x2 Wireless Device Management
NFC Configuration
IP65 5pin DMX and IP65 Locking Power Cable In/
Out

SIZE / WEIGHT

Length: 10" (254mm)
Length (Yoke 0°): 14.25" (362mm)
Width: 9.3" (236mm)
Height (Fixture Body): 7.2" (183mm)
Height (Yoke 90°): 12.3" (312mm)
Weight: 11.9 lbs (5.4kg)

ELECTRICAL / THERMAL

AC 100-240V - 50/60Hz
200W Max Power Consumption
Power Thru Capacity: 10A (6 units @115V, 12 units @240V)
5°F to 113°F (-15°C to 45°C)
BTU/hr (+/- 10%) 682

INCLUDED ITEMS

Gel Frame
Safety Cable
4 Lenses (10°, 22°, 30°, 55°)
IP65 Locking Power Cable

OPTIONAL ITEMS

6.25" Barndoors
Omega Bracket
4 Wire Hardwire Installation Plate (HWP404)
2 Wire Hardwire Installation Plate (HWP202)

APPROVALS / RATINGS

CE | cETLus | IP65 | FCC | UKCA



Specifications are subject to change without notice ©Elation Professional 11/27/2024

Elation Professional USA | 6122 S. Eastern Ave. | Los Angeles, CA. 90040
323-582-3322 | 323-832-9142 fax | www.elationlighting.com | info@elationlighting.com

Elation Professional B.V. | Junostraat 2 | 6468 EW Kerkrade, The Netherlands
+31 45 546 85 66 | +31 45 546 85 96 fax | www.elationlighting.eu | info@elationlighting.eu

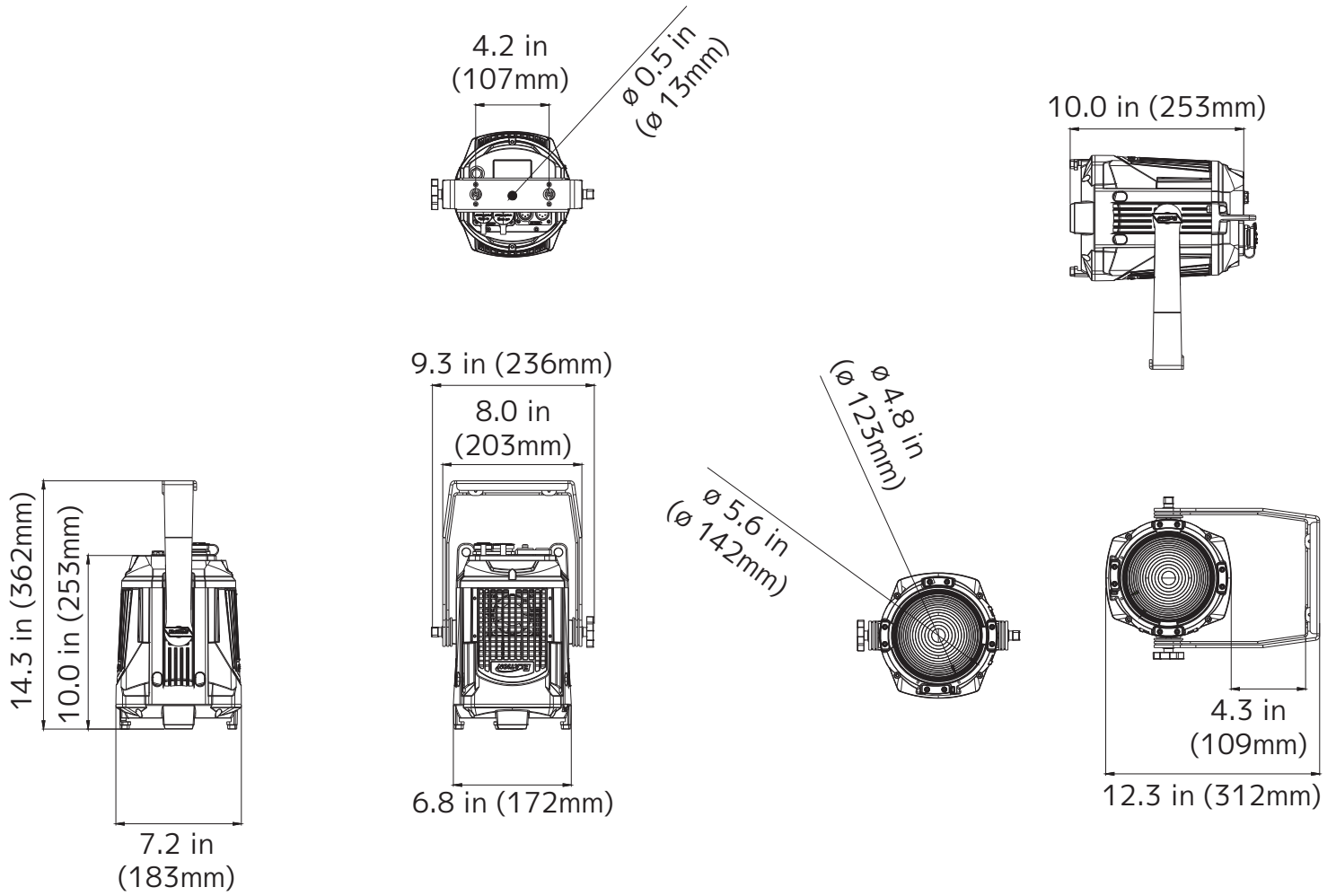


PAR IP COMPACT



150W RGBMA IP65 LED PAR

DIMENSIONS



ORDERING INFORMATION

KLP250	PENDING	KL Par IP Compact
HWP404	PENDING	4 Wire Hardware Installation Plate
HWP202	PENDING	2 Wire Hardware Installation Plate
PENDING	PENDING	6.25" Barndoor

