

FUZE PFX



ELATION®

400W LED Profile FX Fixture with CMY

PRELIMINARY DATA SHEET



KEY FEATURES

- 400W LED 6,600K White LED Engine
- 15000 Total Lumen Fixture Output
- Framing and Effects Fixture
- Zoom Range from 3° to 53°
- Variable CMY, CTO and 8-Position Color Wheel
- Dual High CRI Filters
- 7 Rotating and 11 Fixed Gobos
- Dual Independent Prisms for Layering
- Motorized Iris
- Soft and Wash Frost Filters

The **FUZE PFX™** is a unique LED Framing FX fixture designed for a variety of applications requiring a compact and powerful multi-purpose luminaire. The PFX is capable of projecting tight beams, precise framing and wide washes using a highly efficient optical design while providing over 15000 lumens of output from its 400W white LED engine.

Housing 19 carefully designed gobos and a 3° to 53° zoom, the **FUZE PFX** can create stunning mid-air FX as easily as precise image projections. The PFX allows for even stage washes utilizing its variable frost filter while a wide array of beautiful colors is possible from a seamless CMY color-mixing system plus color wheel. Full blackout framing blades allow shaping of the beam to highlight precise areas on the stage, and function as a creative mid air effect as well. Dual independent rotating and overlaying prisms plus a fast iris round out the comprehensive feature set.

A truly remarkable compact powerhouse for any application, the **FUZE PFX** is sure to create amazing effects, outstanding projections and beautiful bright washes on any stage.



FUZE PFX



400W LED Profile FX Fixture with CMY

SPECIFICATIONS

SOURCE

400W 6,600K Bright White LED Engine
20,000 Hour Average LED Life*

*Test lab conditions. May vary depending on several factors including but not limited to: Environmental Conditions, Power/Voltage, Usage Patterns (On-Off Cycling), Control, and Dimming.

PHOTOMETRIC DATA

15000 Total Lumen Output
CRI 72 (Filter CRI 80, CRI 90)
Zoom Range 3° - 53°
Beam Angle
Field Angle

EFFECTS

Motorized Zoom
4 Rotating Full Blackout Framing Blades
+/- 60° Framing Index
2 Variable Frost Filters (Light and Wash)
Dual Independent Prisms (6 Facet linear & 6 Facet round)
Motorized Iris
Variable 16-bit Dimming Curves
High Speed Electronic Shutter and Strobe
Pan Angle: 540°
Tilt Angle: 270°

COLOR

CMY Color Mixing
Linear CTO Color Correction
7 Dichroic Colors including UV Filter
High CRI Filter 80+90

GOBOS

7 Rotating / Indexing Interchangeable Glass Gobos
11 Static Metal Gobos

CONTROL / CONNECTIONS

DMX Channels
16-bit Pan, Tilt, and Dimming Control
DMX Adjustable LED Frequency
DMX, RDM, E-FLY Wireless, Art-Net, sACN Protocol Support
4 Button Touch Control Panel
Full Color 180° Reversible LCD Menu Display
Locking 5pin XLR Connector In/Out
Locking RJ45 Ethernet Connector In/Out
IP65 Locking Power Connector In/Out
USB Connection (Firmware Updates)

SIZE / WEIGHT

Length: 14.3" (362mm)
Width: 9.2" (233mm)
Vertical Height: 25.14" (637mm)
Weight: 50 lbs. (22.7kg)

ELECTRICAL / THERMAL

AC 100-240V - 50/60Hz
600W Max Power Consumption
14°F to 113°F (-10°C to 45°C)
BTU/hr (+/- 10%)

APPROVALS / RATINGS

CE | cETLus | FCC | UKCA | IP20



FUZE PFX



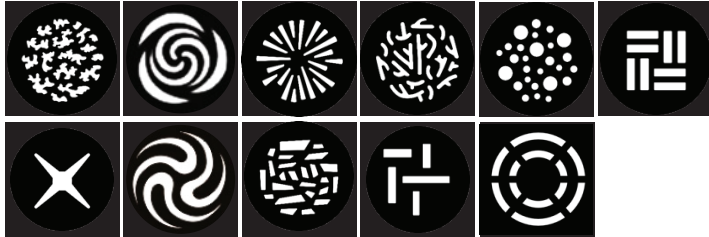
400W LED Profile FX Fixture with CMY

GOBOS | COLORS | PRISMS

Rotating Gobos

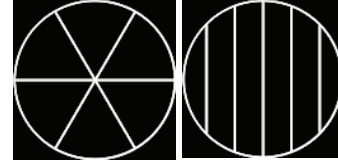


Fixed Gobos

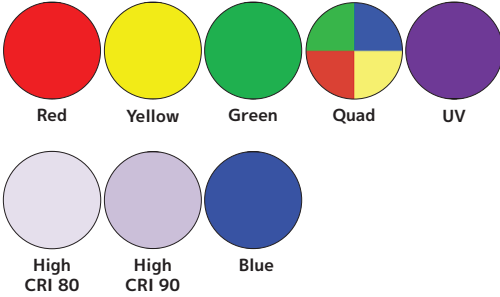


6 Facet

6 Facet
Linear



Colors



ORDERING INFORMATION

FUZ719	1237000296	Fuze PFX
TRIGGER CLAMP	1741000032	Heavy Duty Wrap Around Hook Style Clamp
TOU027	N/A	5 ft. (1.5m) IP65 5pin XLR Cable



Specifications are subject to change without notice ©Elation Professional 11/27/2024
 Elation Professional USA | 6122 S. Eastern Ave. | Los Angeles, CA. 90040
 323-582-3322 | 323-832-9142 fax | www.elationlighting.com | info@elationlighting.com

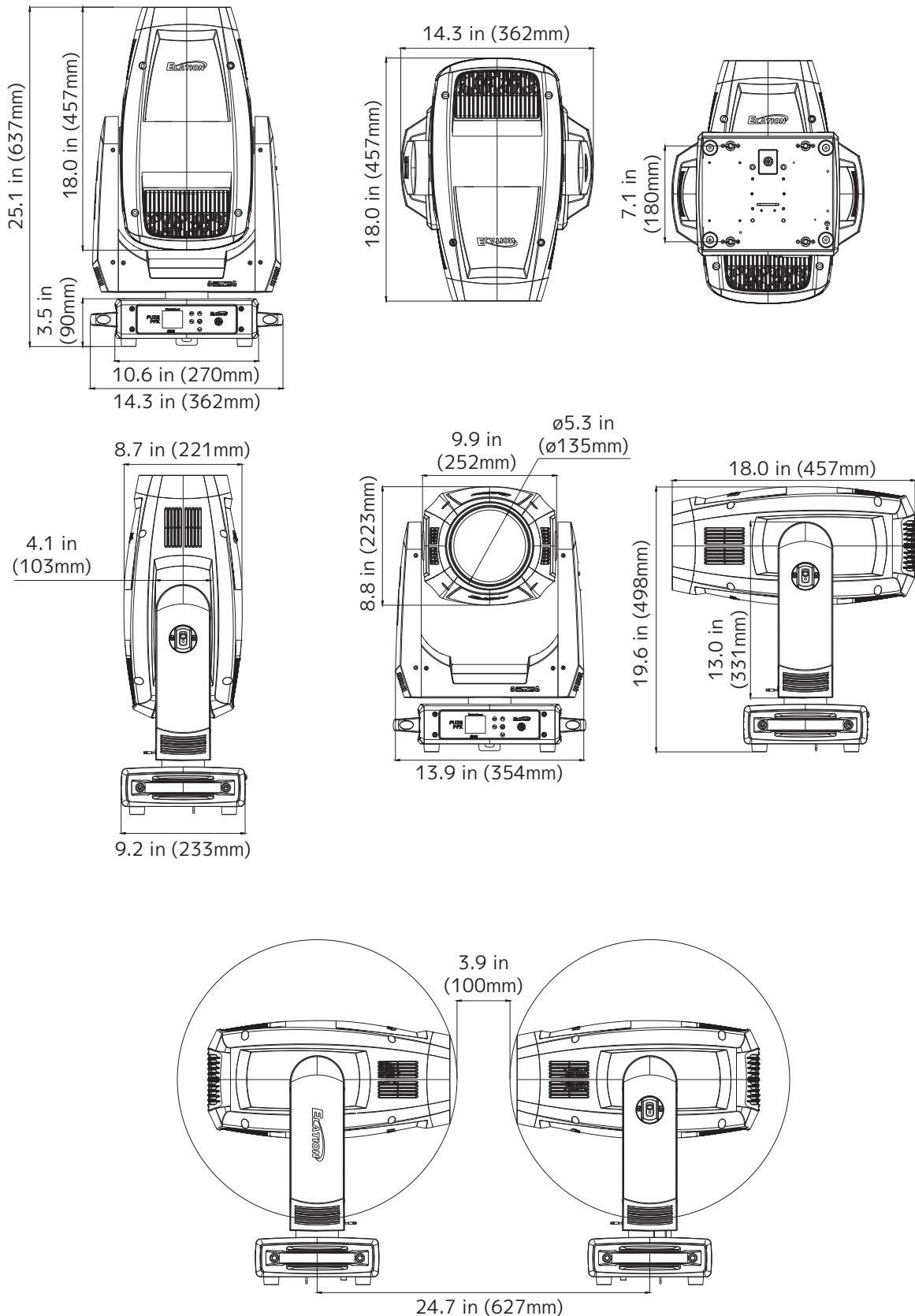
Elation Professional B.V. | Junostraat 2 | 6468 EW Kerkrade, The Netherlands
 +31 45 546 85 66 | +31 45 546 85 96 fax | www.elationlighting.eu | info@elationlighting.eu

FUZE PFX



400W LED Profile FX Fixture with CMY

UNIT DIMENSIONS



Specifications are subject to change without notice ©Elation Professional 11/27/2024

Elation Professional USA | 6122 S. Eastern Ave. | Los Angeles, CA. 90040
323-582-3322 | 323-832-9142 fax | www.elationlighting.com | info@elationlighting.com

Elation Professional B.V. | Junostraat 2 | 6468 EW Kerkrade, The Netherlands
+31 45 546 85 66 | +31 45 546 85 96 fax | www.elationlighting.eu | info@elationlighting.eu