



# PROTEUS RADIUS



100W Solid State Phosphor-Converted beam FX Fixture

**DATA SHEET**



## KEY FEATURES

100W Solid State Phosphor-Converted (SSPC) Light Engine

Compact and lightweight IP66 housing

Ultra Intense 0.9° Beam

Endless High-Speed 360 Pan and Tilt Movements

CMY Color Mixing CMY

FX Package with rotating, fixed gobo, 4 prisms and dual frost

NFC Support

FIL (Foam In Lay) Polyurethane Foam Packaging Included

The **PROTEUS RADIUS** is a compact IP66 High Intensity Beam FX fixture. Utilizing an efficient 100W Solid State Phosphor-Converted (SSPC) light engine the fixture projects narrow intense beams with incredible power at long distances.

Incredibly fast 360 Degree of Movement on both axis allow impactful beam animations, while the CMY color mix, gobos, prisms and frost options allow the designer to compose an endless array of stunning aerial effects.





# PROTEUS RADIUS



100W Solid State Phosphor-Converted beam FX Fixture

## SPECIFICATIONS

### SOURCE

100W Solid State phosphor-converted Light Engine

6000K, CRI 70

10,000 Hour Lamp Life

\*Test lab conditions. May vary depending on several factors including but not limited to: Environmental Conditions, Power/Voltage, Usage Patterns (On-Off Cycling), Control, and Dimming.

### PHOTOMETRIC DATA

2700 Lumen Total Fixture Output

Beam Angle 0.9°

### EFFECTS

Dual Frost

4 Prisms on Dual Planes

CMY Color, Gobo, Prism Macros

Motorized Focus

Digital Shutter and Strobe

### COLOR

Full CMY Color Mixing System

25 Position Color Wheel

### GOBOS

2 Gobo Wheels

13 Interchangeable-Rotating / Indexing Metal Gobos

24 Static-Stamped Metal Gobos

### CONTROL / CONNECTIONS

2 DMX Channel Modes

(6) Button Touch Panel

Full Color 180° Reversible LCD Menu Display

DMX, RDM, Art-Net and sACN Protocol

Support

IP65 5pin DMX In/Out

IP65 RJ45 Ethernet In/Out

IP65 Locking Power In

### SIZE / WEIGHT

Length: 10.6" (270mm)

Width: 15.5" (395mm)

Height: 20.3" (516mm)

Center-to-Center: 15.9" (405mm)

Weight: 45.0 lbs. (20.4 kg)

### ELECTRICAL / THERMAL

AC 100-240V 50/60Hz

300W Max Power Consumption

-4°F to 113°F (-20°C to 45°C)

### APPROVALS / RATINGS

CE | cETLus | IP66 | FCC



Specifications are subject to change without notice ©Elation Professional 11/04/2024

Elation Professional USA | 6122 S. Eastern Ave. | Los Angeles, CA. 90040  
323-582-3322 | 323-832-9142 fax | www.elationlighting.com | info@elationlighting.com

Elation Professional B.V. | Junostraat 2 | 6468 EW Kerkrade, The Netherlands  
+31 45 546 85 66 | +31 45 546 85 96 fax | www.elationlighting.eu | info@elationlighting.eu



# PROTEUS RADIUS



100W Solid State Phosphor-Converted beam FX Fixture

GOBOS | COLORS | ANIMATION WHEEL

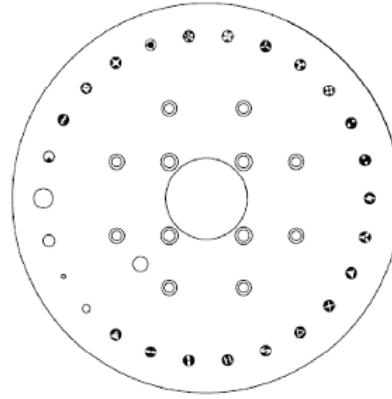
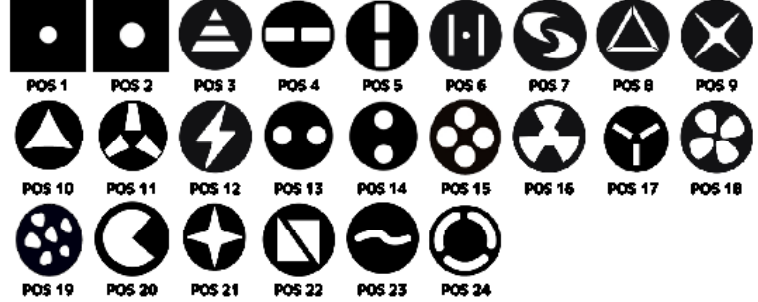
### COLOR FLAGS



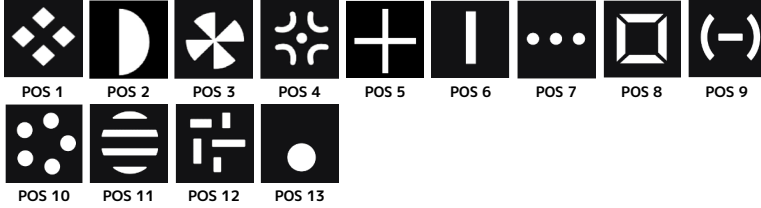
### COLOR WHEEL



### FIXED GOBO WHEEL



### INTERCHANGEABLE ROTATING GOBO WHEEL 1



## ORDERING INFORMATION

PRD013	1237000272	PROTEUS RADIUS
TRIGGER CLAMP	1741000032	Heavy Duty Wrap Around Hook Style Clamp
TOU027	N/A	Tour Link 5pin, 10Ft., Tour Grade, DMX Data Cable
		Additional Cable Lengths Available



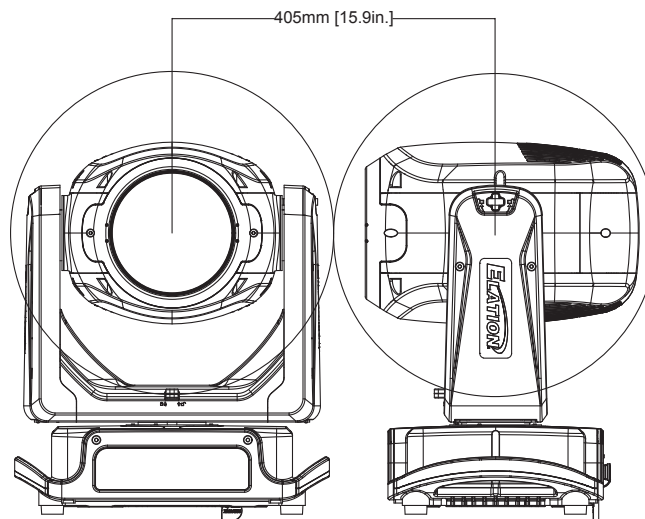
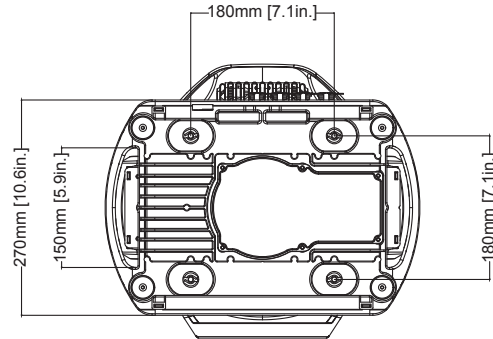
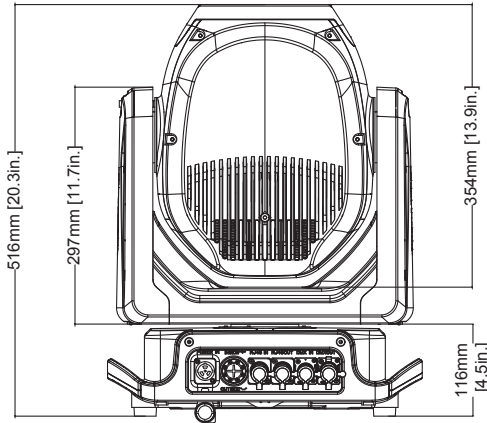
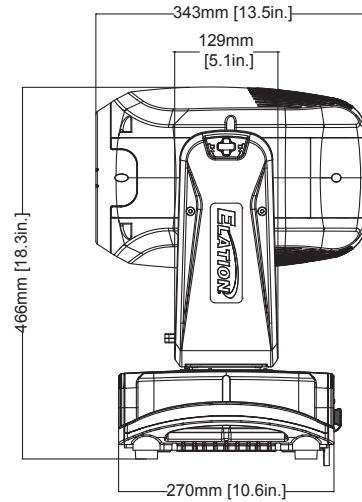
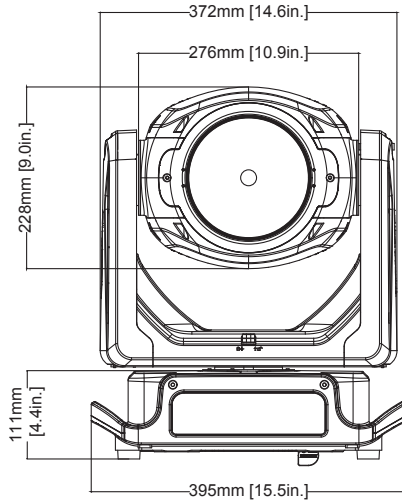


# PROTEUS RADIUS



100W Solid State Phosphor-Converted beam FX Fixture

## UNIT DIMENSIONS





# PROTEUS RADIUS



100W Solid State Phosphor-Converted beam FX Fixture

## FOAM IN-LAY DIMENSIONS

