

# **ELATION<sup>®</sup>**

## **SIX+ BAR S Optional Lenses**

Photometric &  
Chromaticity Test Reports



# CONTENTS

Testing Procedures.....4

## Photometric Output Reports .....

**20° Lens- NSP ..... 5**

- Full Output No UV.....5
- Full Output .....7
- 2400K .....9
- 3200K..... 11
- 4500K..... 13
- 6500K..... 15
- 8500K..... 17

**60° Lens- WFL..... 19**

- Full Output No UV..... 19
- Full Output ..... 21
- 2400K ..... 23
- 3200K..... 25
- 4500K..... 27
- 6500K..... 29
- 8500K..... 31

**100° Lens- XFL..... 33**

- Full Output No UV..... 33
- Full Output ..... 35
- 2400K ..... 37
- 3200K..... 39
- 4500K..... 41
- 6500K..... 43
- 8500K..... 45

<b>60°x 10° Lens</b> .....	<b>47</b>
Full Output No UV.....	47
Full Output .....	49
2400K .....	51
3200K.....	53
4500K.....	55
6500K.....	57
8500K.....	59
<b>1°x 40° Lens</b> .....	<b>61</b>
Full Output No UV.....	61
Full Output .....	63
2400K .....	65
3200K.....	67
4500K.....	69
6500K.....	71
8500K.....	73

©2023 **ELATION PROFESSIONAL** all rights reserved. Information, specifications, diagrams, images, and instructions herein are subject to change without notice. ELATION PROFESSIONAL logo and identifying product names and numbers herein are trademarks of ELATION PROFESSIONAL. Copyright protection claimed includes all forms and matters of copyrightable materials and information now allowed by statutory or judicial law or hereinafter granted. Product names used in this document may be trademarks or registered trademarks of their respective companies and are hereby acknowledged. All non-ELATION brands and product names are trademarks or registered trademarks of their respective companies.

**Elation Professional USA** | 6122 S. Eastern Ave. | Los Angeles, CA. 90040  
323-582-3322 | 323-832-9142 fax | [www.elationlighting.com](http://www.elationlighting.com) | [info@elationlighting.com](mailto:info@elationlighting.com)

**Elation Professional B.V.** | Junostraat 2 | 6468 EW Kerkrade, The Netherlands  
+31 45 546 85 66 | +31 45 546 85 96 fax | [www.elationlighting.eu](http://www.elationlighting.eu) | [info@elationlighting.eu](mailto:info@elationlighting.eu)

**Elation Professional Mexico** | AV Santa Ana 30 | Parque Industrial Lerma, Lerma, Mexico 52000

+52 (728) 282-7070

# Testing Process

## Total Lumen Measurements

Lumens are measured using a Viso Systems Lab Spion. As a goniophotometer, the Viso calculates the field lumens of the fixture by taking multiple measurements across the light beam.

Many lumens figures provided for entertainment lighting fixtures are only  $2\pi$  sphere values, some even emphasize the LED engine lumens. All Elation product photometric data is the actual light output from the fixture lens, never a theoretical value based on calculation or using the source lumens as the fixtures output. We advise to always compare total fixture lumens acquired with identical measurement systems when comparing lighting fixtures.

## Test Lab Equipment and Process

Elation operates an optical testing laboratory at its Los Angeles, CA headquarters to provide accurate photometric data for its lighting products. The testing lab is both light and climate- controlled and contains a variety of precise lighting measurement systems. Fixtures are analyzed with the sophisticated [Viso Systems Lab Spion](#) equipment, which measures all light and color parameters by panning the light beam at a precise speed and from different angles through a calibrated, laser aligned light and color sensor. Test data is collected and summarized by the Viso Light Inspector software. This type of measurement system is referred to as a Goniophotometer.

The Viso software calculates all relevant types of measurements, from beam angles, candela to center light intensity at a variety of distances to the latest color quality measurements like TM30 or CQS as well as accurate color temperature. This wealth of data is then processed by an Elation specific template which is included in the photometric test report for various fixture conditions such as zoom angles and color correction filters.

The Viso software also creates IES (Illuminating Engineering Society) files for each test report. IES is an industry standard file format created for the easy electronic transfer of photometric test data, which is widely used by lighting manufacturers for photometric data distribution.

Additionally, fixtures are periodically rechecked for accuracy using various hand-held light meters including one or more of the devices listed below. This is done to ensure the test data contained in this report is as accurate as possible.

[Asenstek Lighting Passport](#) | [Konica Minolta T-10](#) | [Sekonic C800U](#)

### Key Measurements

#### Output

Total Lumen Output: 3763 lm  
Peak Intensity: 18729 cd

#### Beam

Beam Angle (50%): 23°  
Field Angle (10%): 43°  
Cutoff Angle (2.5%): 60.1°

#### Color

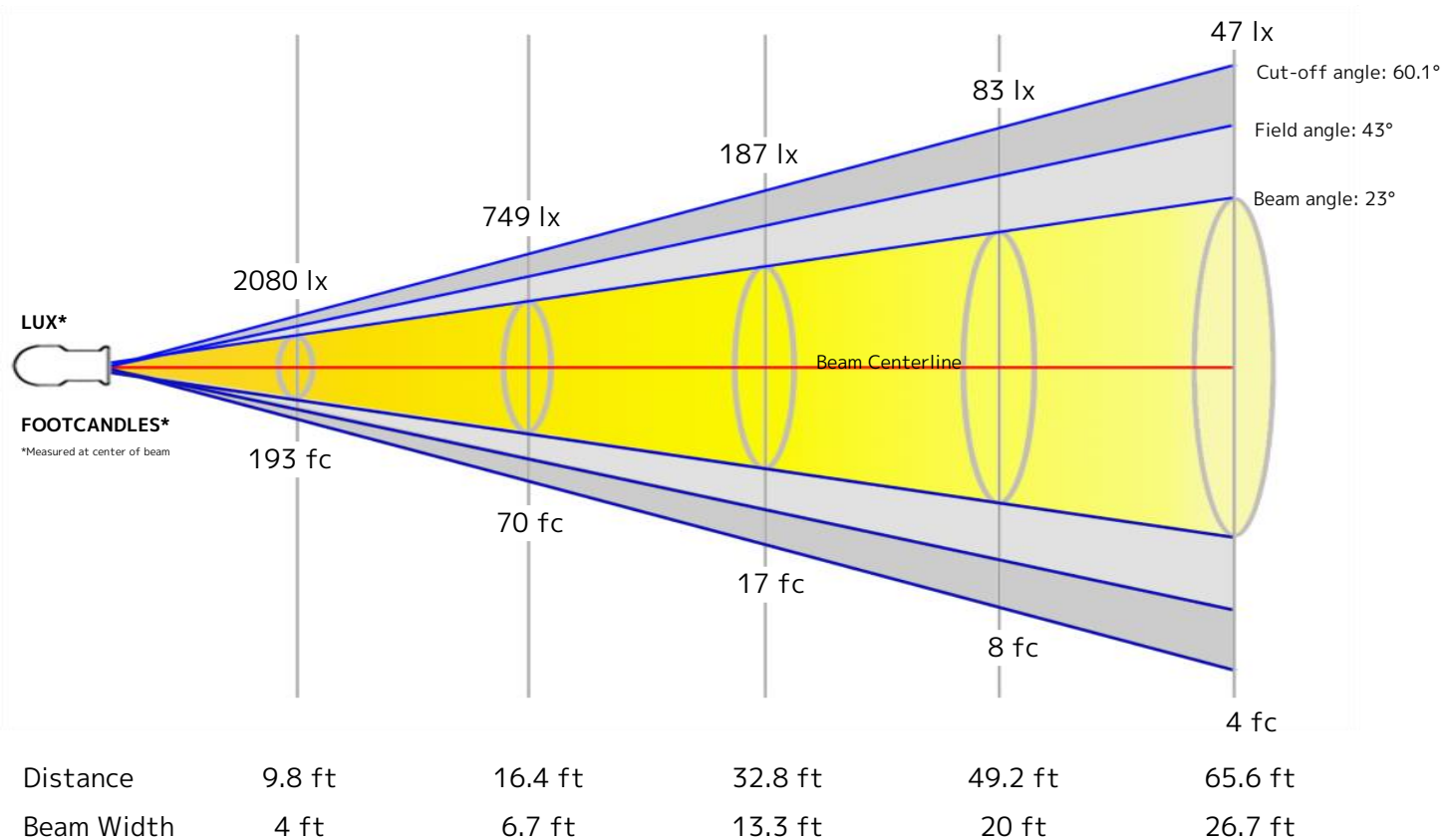
Color Temperature: 6826 K  
CRI: 68.7  
TLCI: 77  
TM30 R<sub>F</sub>: 78.8  
TM30 R<sub>G</sub>: 120.1

#### Power Details

Efficacy: 42 Lumen/Watt  
Power: 88.8 W  
Supply Voltage: 119 V  
Current: 0.749 A

### Beam Details

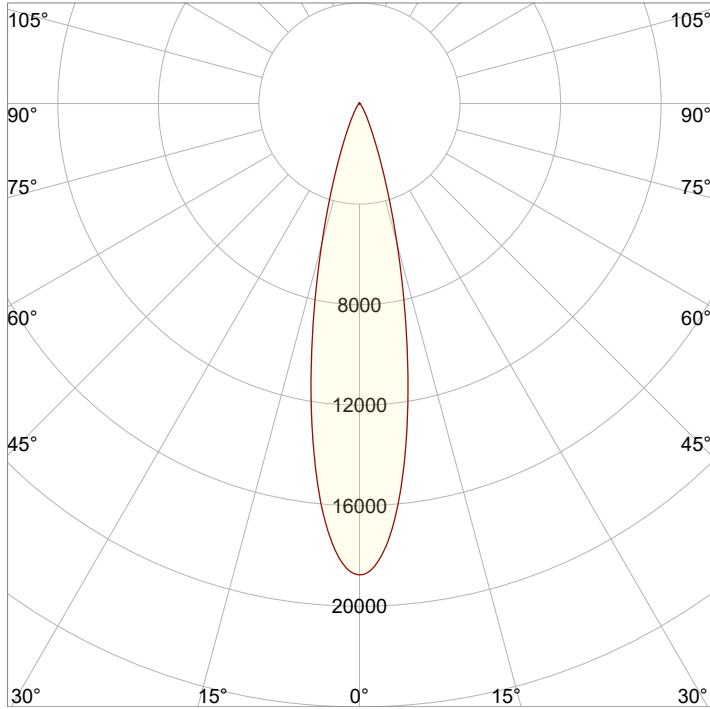
Distance	3 m	5 m	10 m	15 m	20 m
Beam Width	1.2 m	2 m	4.1 m	6.1 m	8.1 m



### Beam Intensities from 1-20m

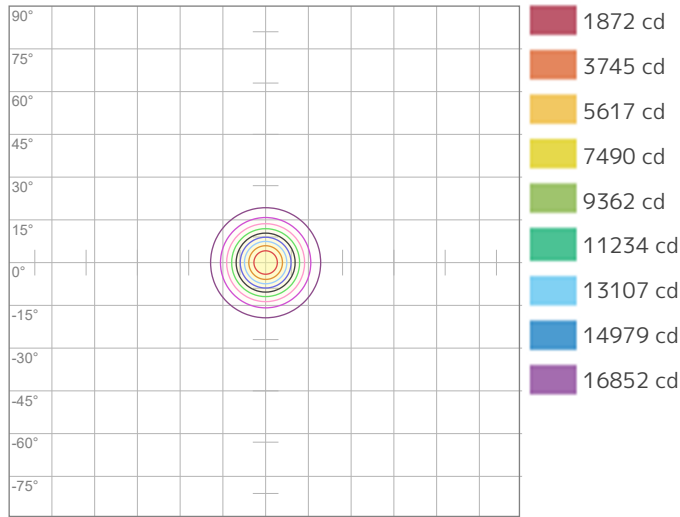
M	1	2	3	4	5	6	7	8	9	10	11	12	13	14	15	16	17	18	19	20
<b>LX</b>	18724	4681	2080	1170	749	520	382	293	231	187	155	130	111	96	83	73	65	58	52	47
<b>FT</b>	3.3	6.6	9.8	13.1	16.4	19.7	23	26.2	29.5	32.8	36.1	39.4	42.7	45.9	49.2	52.5	55.8	59.1	62.3	65.6
<b>FC</b>	1739.5	434.9	193.3	108.7	69.6	48.3	35.5	27.2	21.5	17.4	14.4	12.1	10.3	8.9	7.7	6.8	6	5.4	4.8	4.3

### Angular Distribution



<b>Beam Angle - 50%</b>
<b>23°</b>
<b>Field Angle - 10%</b>
<b>43°</b>
<b>Cutoff Angle - 2.5%</b>
<b>60.1°</b>

### ISO Diagrams

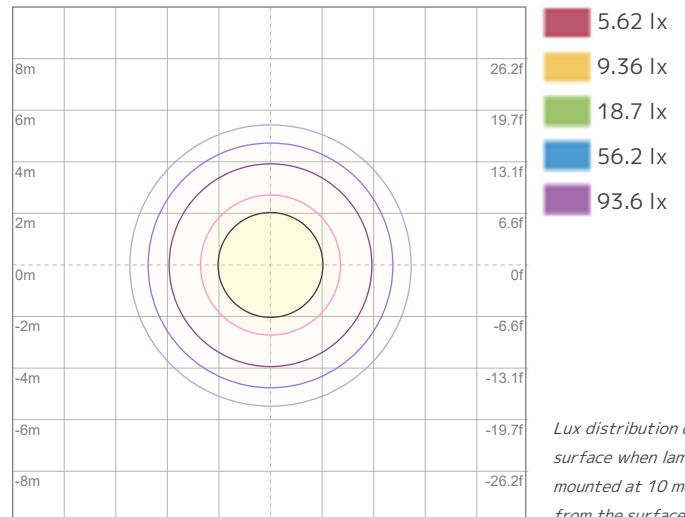


**ISO Candela Diagram**

Conditions:

Number of c-planes: 2

Candela at center: 18724 cd



**ISO LUX Diagram**

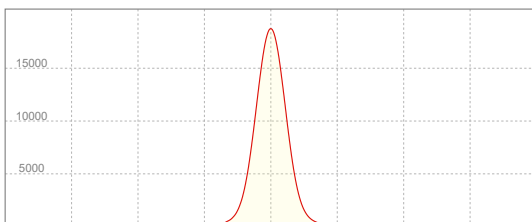
Conditions:

Number of c-planes: 2

LUX at center: 187 lx

*Lux distribution on a surface when lamp is mounted at 10 meters from the surface.*

### Linear Distribution



**Peak Candela**  
**18729 cd**

**Calculate Center Beam Intensities**

$$\text{lux} = 18729 / \text{distance(m)}^2$$

$$\text{fc} = 18729 / \text{distance(ft)}^2$$

## Key Measurements

### Output

Total Lumen Output: 3598 lm  
Peak Intensity: 17873 cd

### Beam

Beam Angle (50%): 23°  
Field Angle (10%): 43°  
Cutoff Angle (2.5%): 60.2°

### Color

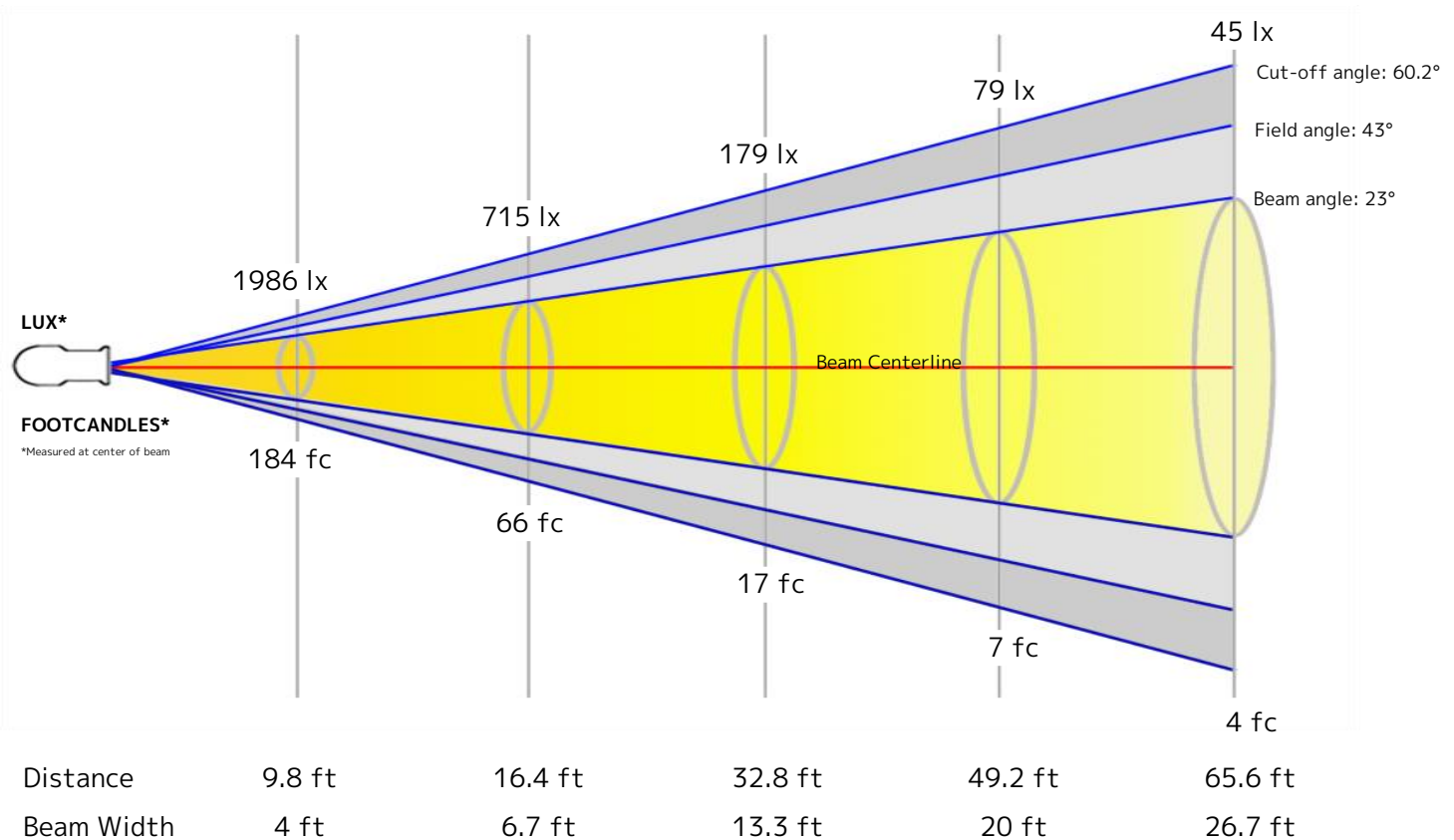
Color Temperature: 7334 K  
CRI: 68.0  
TLCI: 76  
TM30 R<sub>F</sub>: 77.7  
TM30 R<sub>g</sub>: 120.1

### Power Details

Efficacy: 37 Lumen/Watt  
Power: 98.3 W  
Supply Voltage: 118 V  
Current: 0.835 A

## Beam Details

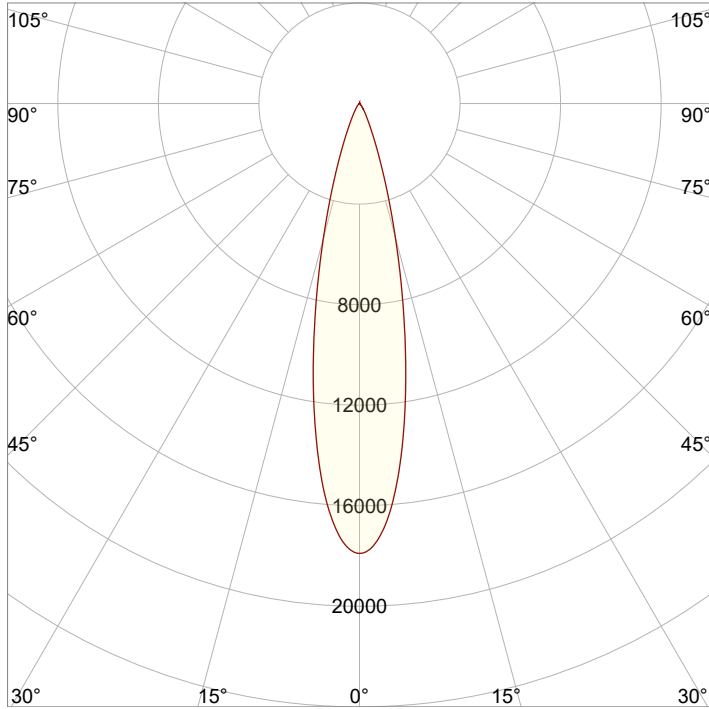
Distance	3 m	5 m	10 m	15 m	20 m
Beam Width	1.2 m	2 m	4.1 m	6.1 m	8.1 m



## Beam Intensities from 1-20m

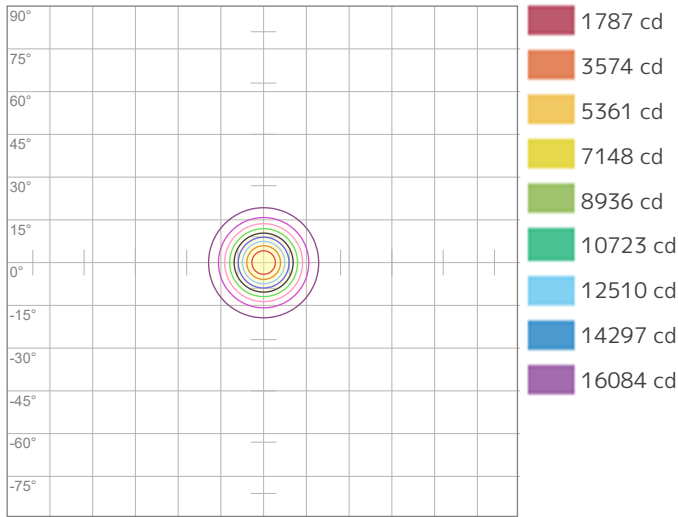
M	1	2	3	4	5	6	7	8	9	10	11	12	13	14	15	16	17	18	19	20
<b>LX</b>	17871	4468	1986	1117	715	496	365	279	221	179	148	124	106	91	79	70	62	55	50	45
<b>FT</b>	3.3	6.6	9.8	13.1	16.4	19.7	23	26.2	29.5	32.8	36.1	39.4	42.7	45.9	49.2	52.5	55.8	59.1	62.3	65.6
<b>FC</b>	1660.3	415.1	184.5	103.8	66.4	46.1	33.9	25.9	20.5	16.6	13.7	11.5	9.8	8.5	7.4	6.5	5.7	5.1	4.6	4.2

### Angular Distribution



<b>Beam Angle - 50%</b>
<b>23°</b>
<b>Field Angle - 10%</b>
<b>43°</b>
<b>Cutoff Angle - 2.5%</b>
<b>60.2°</b>

### ISO Diagrams

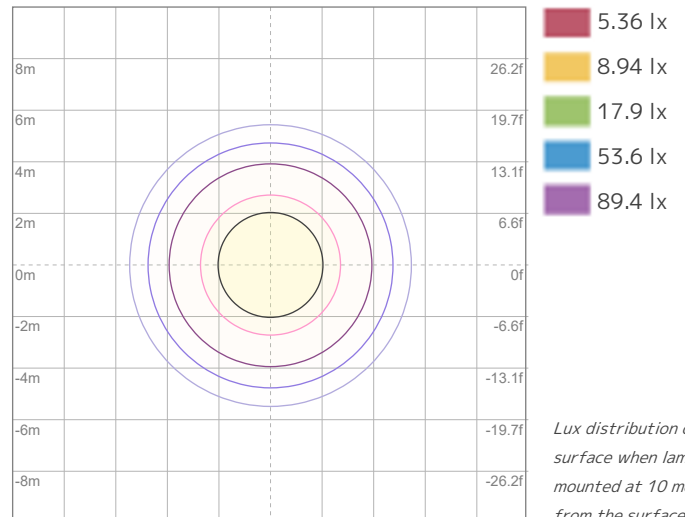


ISO Candela Diagram

Conditions:

Number of c-planes: 2

Candela at center: 17871 cd



ISO LUX Diagram

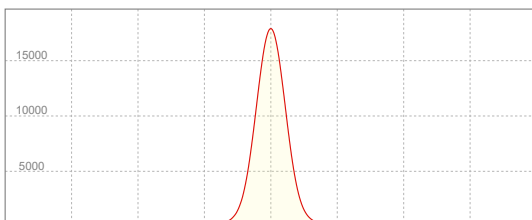
Conditions:

Number of c-planes: 2

LUX at center: 179 lx

*Lux distribution on a surface when lamp is mounted at 10 meters from the surface.*

### Linear Distribution



**Peak Candela**  
**17873 cd**

**Calculate Center Beam Intensities**

$$\text{lux} = 17873 / \text{distance(m)}^2$$

$$\text{fc} = 17873 / \text{distance(ft)}^2$$



### Key Measurements

#### Output

Total Lumen Output: 2297 lm  
Peak Intensity: 11700 cd

#### Beam

Beam Angle (50%): 22.8°  
Field Angle (10%): 42.6°  
Cutoff Angle (2.5%): 59.2°

#### Color

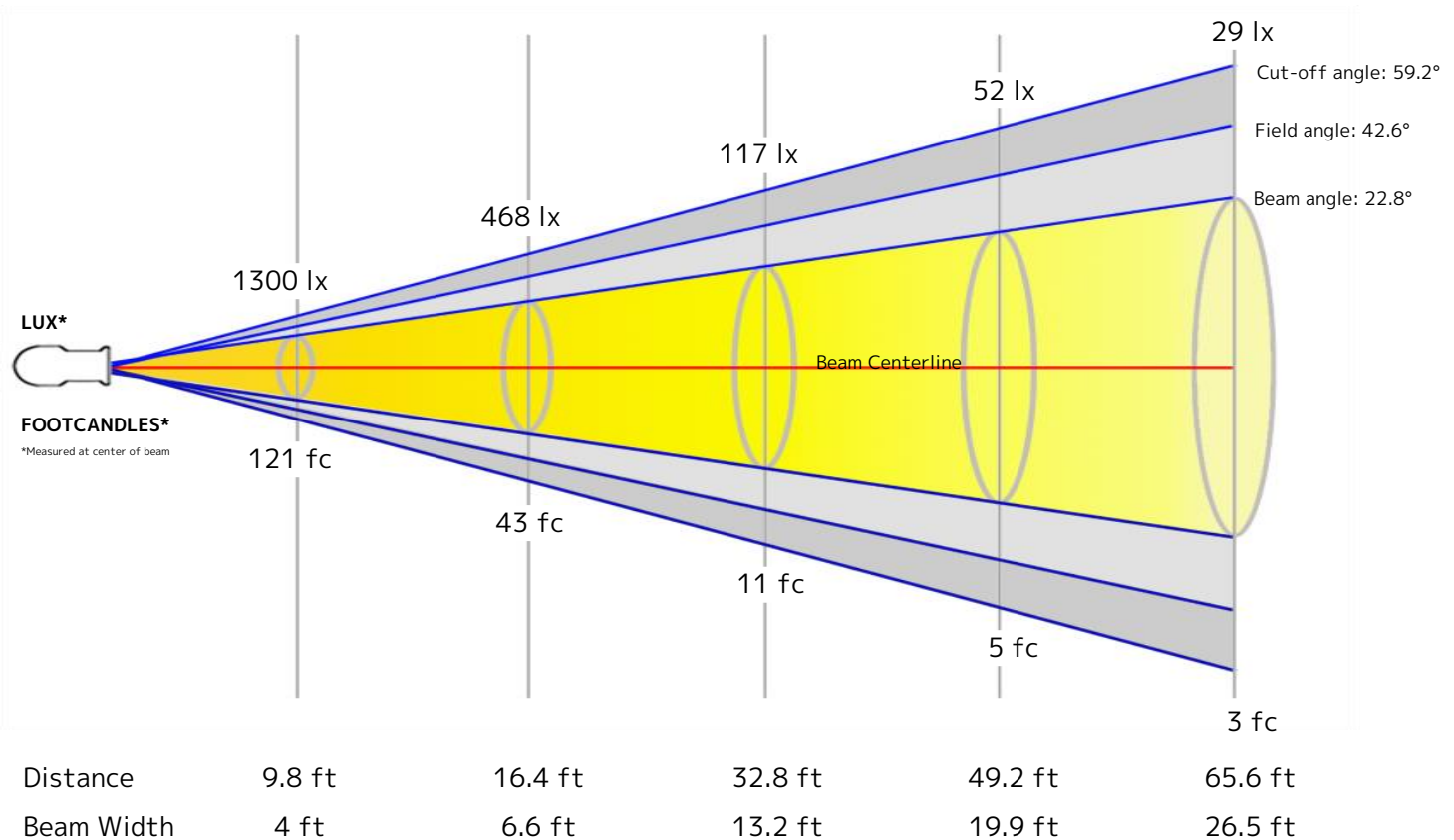
Color Temperature: 2379 K  
CRI: 84.9  
TLCI: 72  
TM30 R<sub>F</sub>: 87.9  
TM30 R<sub>G</sub>: 108.2

#### Power Details

Efficacy: 43 Lumen/Watt  
Power: 53.2 W  
Supply Voltage: 120 V  
Current: 0.455 A

### Beam Details

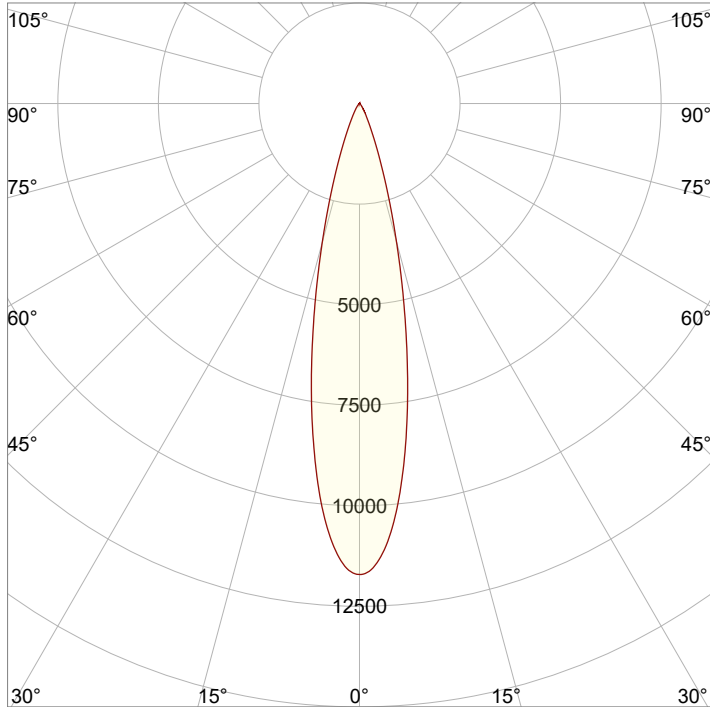
Distance	3 m	5 m	10 m	15 m	20 m
Beam Width	1.2 m	2 m	4 m	6.1 m	8.1 m



### Beam Intensities from 1-20m

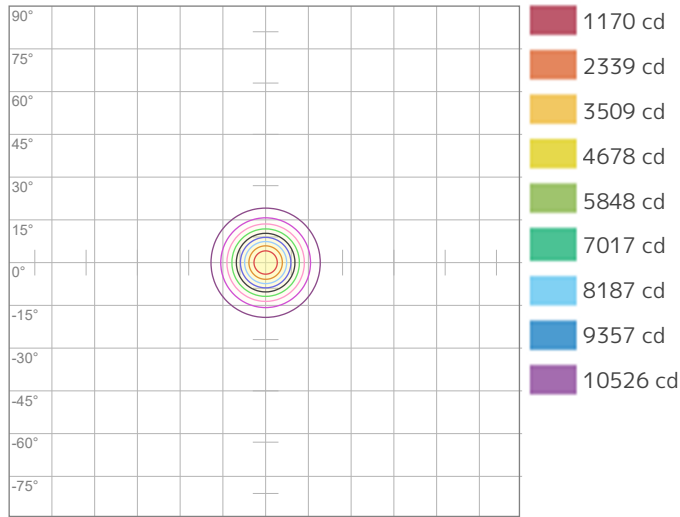
M	1	2	3	4	5	6	7	8	9	10	11	12	13	14	15	16	17	18	19	20
<b>LX</b>	11696	2924	1300	731	468	325	239	183	144	117	97	81	69	60	52	46	40	36	32	29
<b>FT</b>	3.3	6.6	9.8	13.1	16.4	19.7	23	26.2	29.5	32.8	36.1	39.4	42.7	45.9	49.2	52.5	55.8	59.1	62.3	65.6
<b>FC</b>	1086.6	271.6	120.7	67.9	43.5	30.2	22.2	17	13.4	10.9	9	7.5	6.4	5.5	4.8	4.2	3.8	3.4	3	2.7

### Angular Distribution

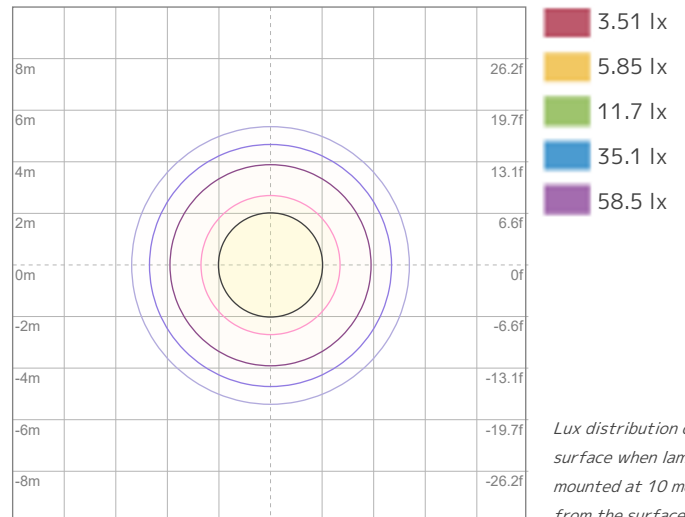


<b>Beam Angle - 50%</b>
<b>22.8°</b>
<b>Field Angle - 10%</b>
<b>42.6°</b>
<b>Cutoff Angle - 2.5%</b>
<b>59.2°</b>

### ISO Diagrams



ISO Candela Diagram



ISO LUX Diagram

*Lux distribution on a surface when lamp is mounted at 10 meters from the surface.*

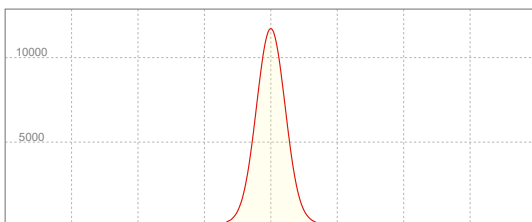
Conditions:

Number of c-planes: 2  
Candela at center: 11696 cd

Conditions:

Number of c-planes: 2  
LUX at center: 117 lx

### Linear Distribution



**Peak Candela**  
**11700 cd**

**Calculate Center Beam Intensities**  
 $lux = 11700 / distance(m)^2$   
 $fc = 11700 / distance(ft)^2$

### Key Measurements

#### Output

Total Lumen Output: 3079 lm  
Peak Intensity: 15410 cd

#### Beam

Beam Angle (50%): 23°  
Field Angle (10%): 42.9°  
Cutoff Angle (2.5%): 59.9°

#### Color

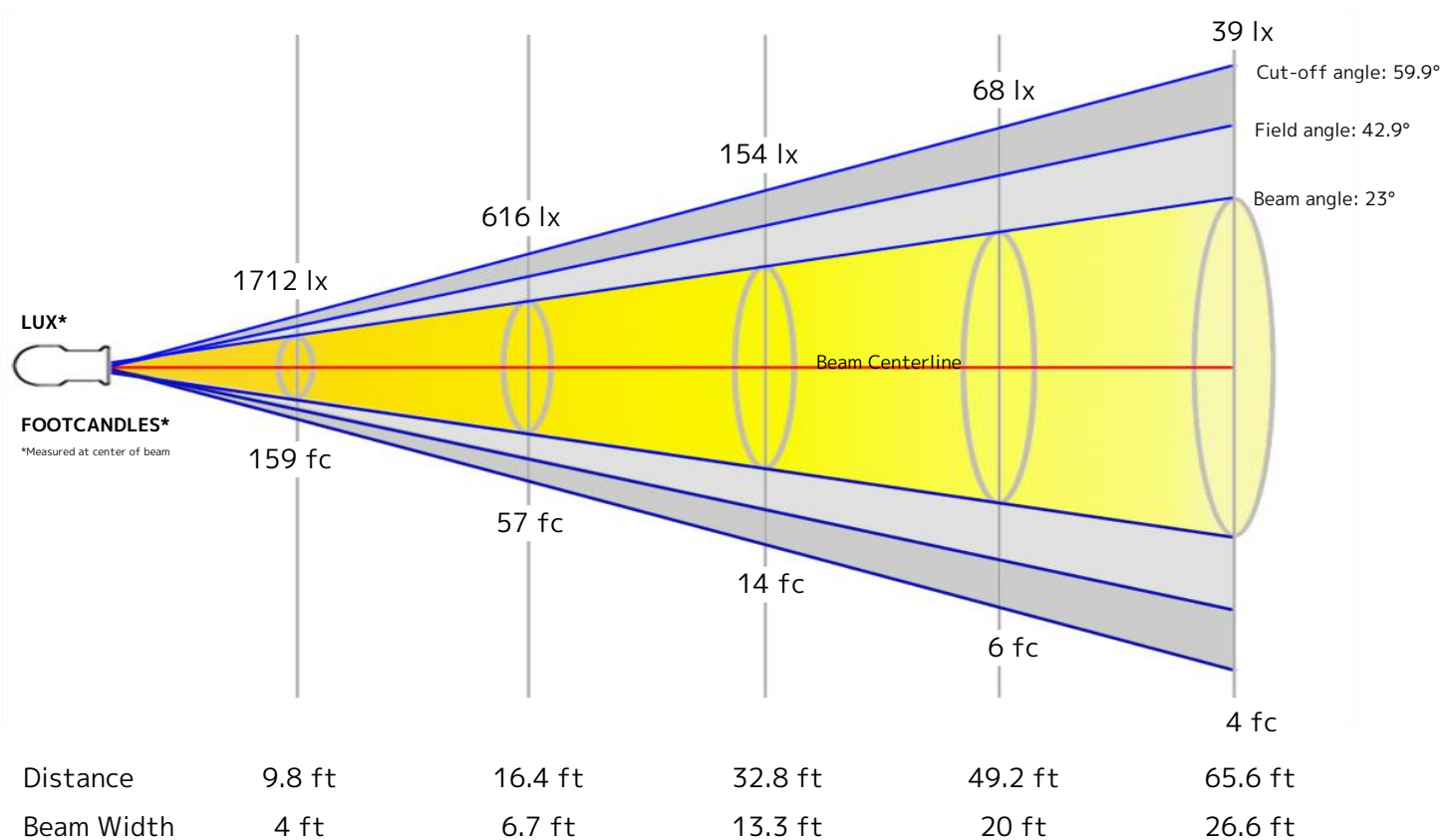
Color Temperature: 3249 K  
CRI: 89.6  
TLCI: 79  
TM30 R<sub>F</sub>: 91.0  
TM30 R<sub>G</sub>: 107.9

#### Power Details

Efficacy: 47 Lumen/Watt  
Power: 64.8 W  
Supply Voltage: 119 V  
Current: 0.551 A

### Beam Details

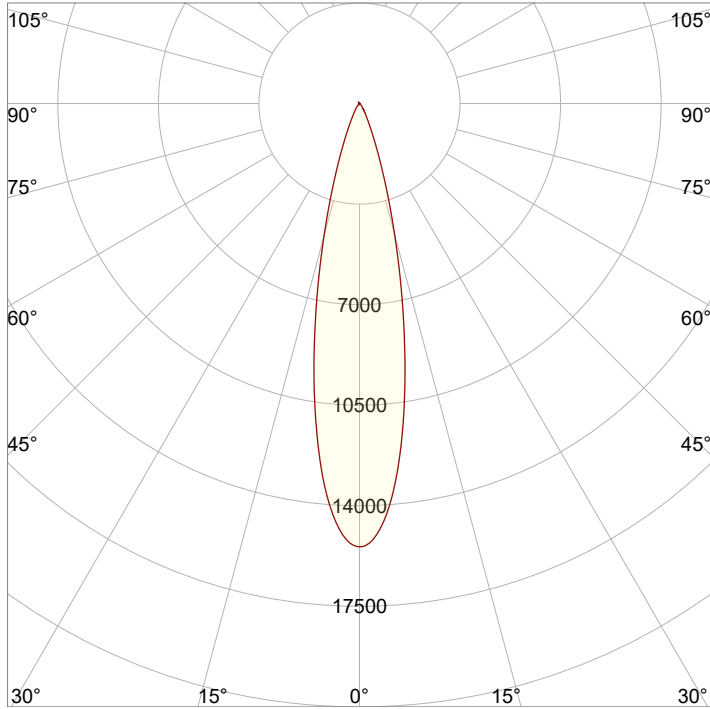
Distance	3 m	5 m	10 m	15 m	20 m
Beam Width	1.2 m	2 m	4.1 m	6.1 m	8.1 m



### Beam Intensities from 1-20m

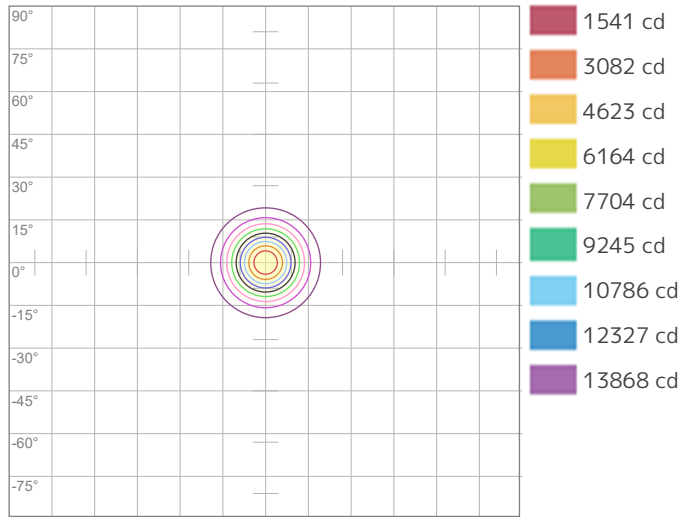
M	1	2	3	4	5	6	7	8	9	10	11	12	13	14	15	16	17	18	19	20
<b>LX</b>	15409	3852	1712	963	616	428	314	241	190	154	127	107	91	79	68	60	53	48	43	39
<b>FT</b>	3.3	6.6	9.8	13.1	16.4	19.7	23	26.2	29.5	32.8	36.1	39.4	42.7	45.9	49.2	52.5	55.8	59.1	62.3	65.6
<b>FC</b>	1431.5	357.9	159.1	89.5	57.3	39.8	29.2	22.4	17.7	14.3	11.8	9.9	8.5	7.3	6.4	5.6	5	4.4	4	3.6

### Angular Distribution

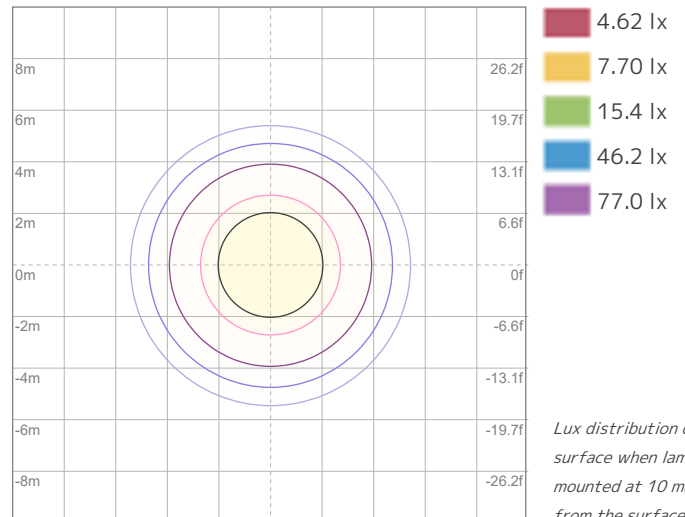


<b>Beam Angle - 50%</b>
<b>23°</b>
<b>Field Angle - 10%</b>
<b>42.9°</b>
<b>Cutoff Angle - 2.5%</b>
<b>59.9°</b>

### ISO Diagrams



ISO Candela Diagram



ISO LUX Diagram

*Lux distribution on a surface when lamp is mounted at 10 meters from the surface.*

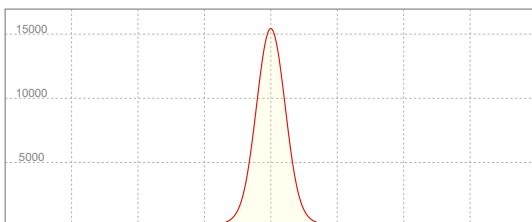
Conditions:

Number of c-planes: 2  
Candela at center: 15409 cd

Conditions:

Number of c-planes: 2  
LUX at center: 154 lx

### Linear Distribution



**Peak Candela**  
**15410 cd**

**Calculate Center Beam Intensities**  
 $lux = 15410 / distance(m)^2$   
 $fc = 15410 / distance(ft)^2$

### Key Measurements

#### Output

Total Lumen Output: 3311 lm  
Peak Intensity: 16304 cd

#### Beam

Beam Angle (50%): 23°  
Field Angle (10%): 43.1°  
Cutoff Angle (2.5%): 60.4°

#### Color

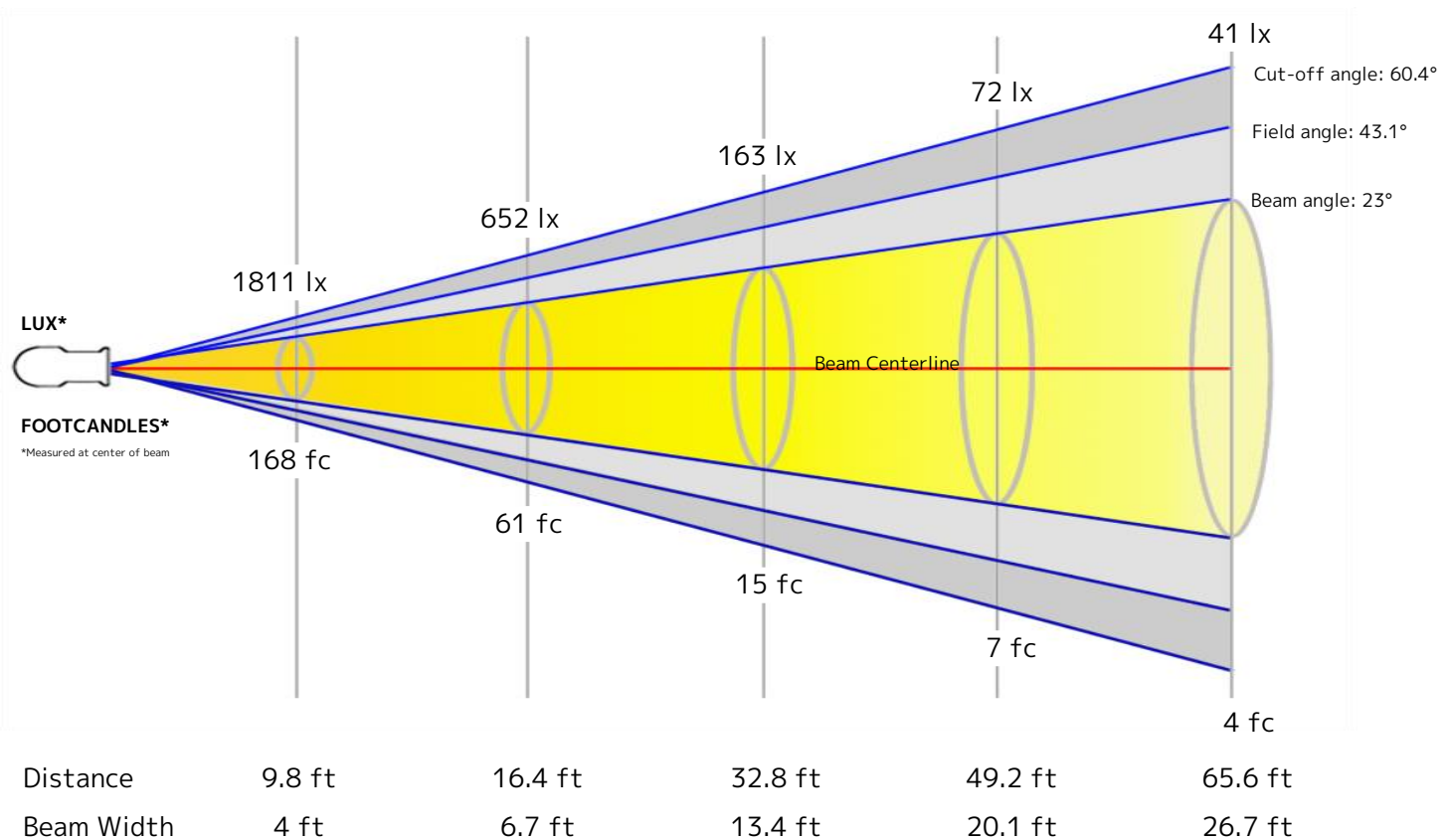
Color Temperature: 4520 K  
CRI: 90.7  
TLCI: 81  
TM30 R<sub>F</sub>: 90.5  
TM30 R<sub>G</sub>: 107.4

#### Power Details

Efficacy: 48 Lumen/Watt  
Power: 68.5 W  
Supply Voltage: 119 V  
Current: 0.582 A

### Beam Details

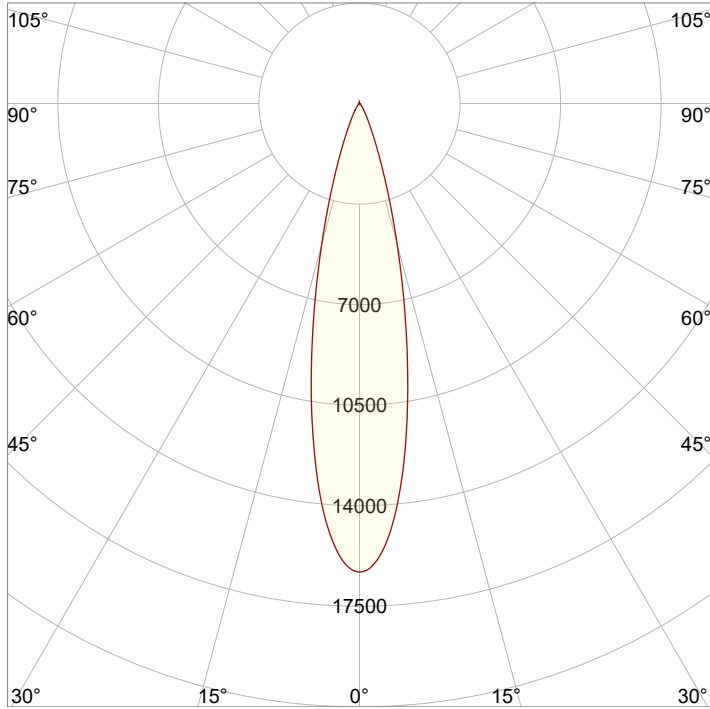
Distance	3 m	5 m	10 m	15 m	20 m
Beam Width	1.2 m	2 m	4.1 m	6.1 m	8.2 m



### Beam Intensities from 1-20m

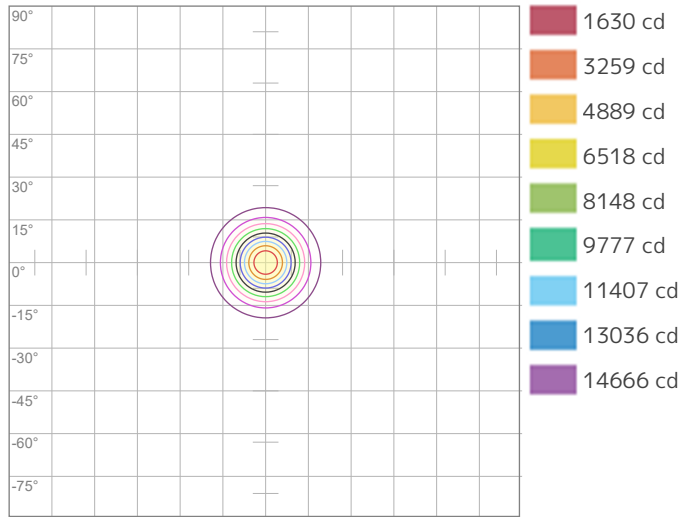
M	1	2	3	4	5	6	7	8	9	10	11	12	13	14	15	16	17	18	19	20
<b>LX</b>	16295	4074	1811	1018	652	453	333	255	201	163	135	113	96	83	72	64	56	50	45	41
<b>FT</b>	3.3	6.6	9.8	13.1	16.4	19.7	23	26.2	29.5	32.8	36.1	39.4	42.7	45.9	49.2	52.5	55.8	59.1	62.3	65.6
<b>FC</b>	1513.9	378.5	168.2	94.6	60.6	42.1	30.9	23.7	18.7	15.1	12.5	10.5	9	7.7	6.7	5.9	5.2	4.7	4.2	3.8

### Angular Distribution



<b>Beam Angle - 50%</b>
<b>23°</b>
<b>Field Angle - 10%</b>
<b>43.1°</b>
<b>Cutoff Angle - 2.5%</b>
<b>60.4°</b>

### ISO Diagrams

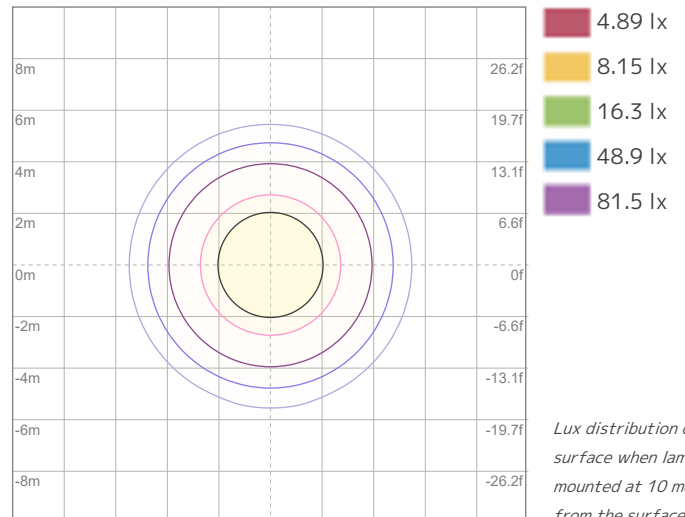


ISO Candela Diagram

Conditions:

Number of c-planes: 2

Candela at center: 16295 cd



ISO LUX Diagram

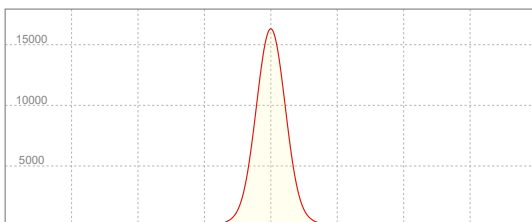
Conditions:

Number of c-planes: 2

LUX at center: 163 lx

*Lux distribution on a surface when lamp is mounted at 10 meters from the surface.*

### Linear Distribution



**Peak Candela**  
**16304 cd**

**Calculate Center Beam Intensities**

$$\text{lux} = 16304 / \text{distance(m)}^2$$

$$\text{fc} = 16304 / \text{distance(ft)}^2$$

### Key Measurements

#### Output

Total Lumen Output: 3537 lm  
Peak Intensity: 17256 cd

#### Beam

Beam Angle (50%): 23.1°  
Field Angle (10%): 43.3°  
Cutoff Angle (2.5%): 60.5°

#### Color

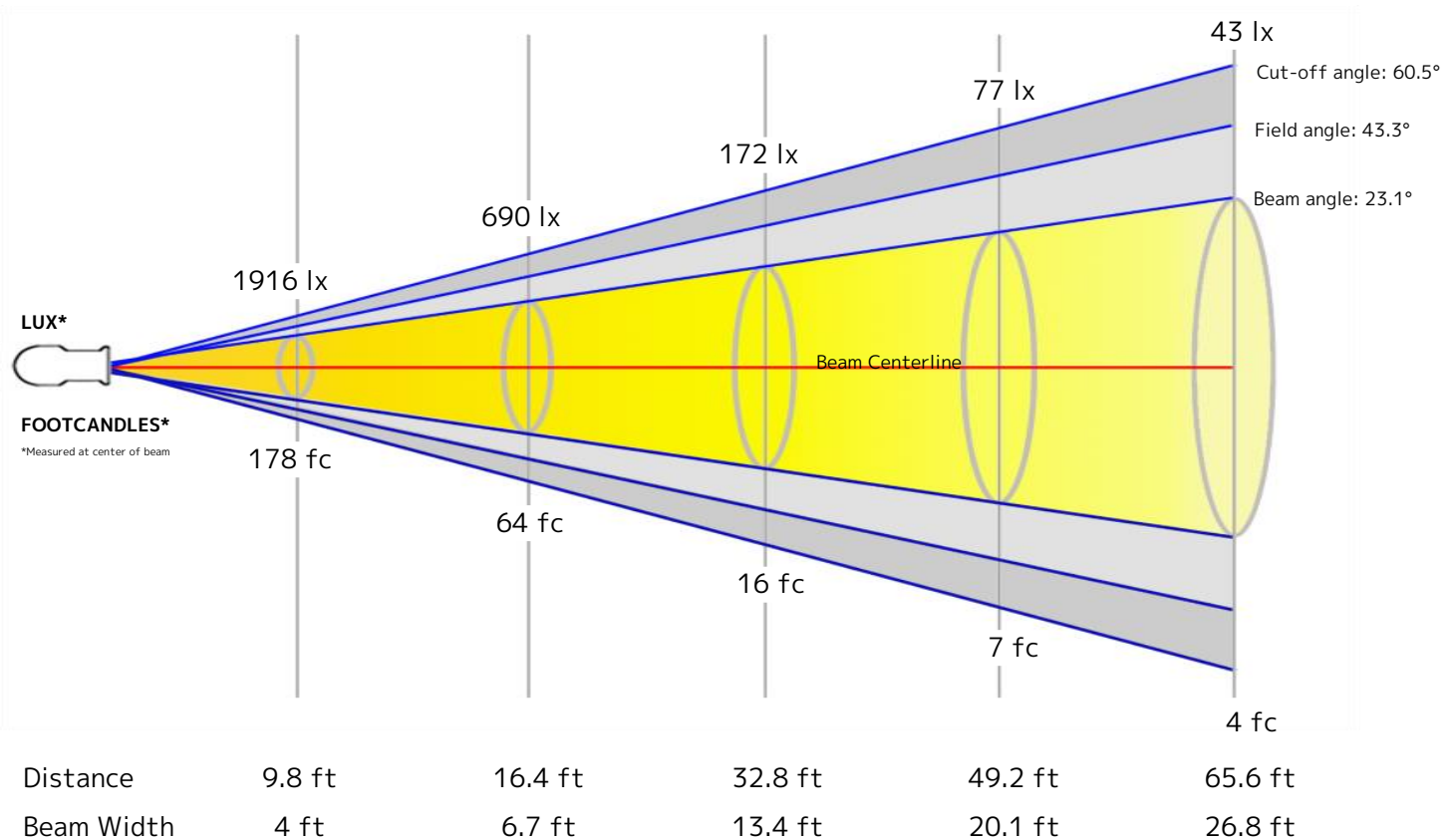
Color Temperature: 6545 K  
CRI: 89.2  
TLCI: 85  
TM30 R<sub>F</sub>: 88.4  
TM30 R<sub>G</sub>: 106.1

#### Power Details

Efficacy: 47 Lumen/Watt  
Power: 75.1 W  
Supply Voltage: 119 V  
Current: 0.638 A

### Beam Details

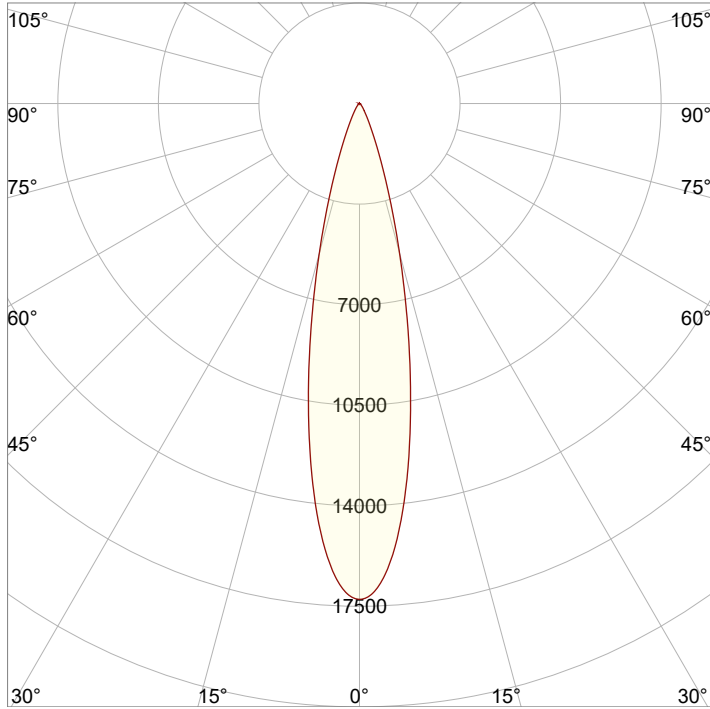
Distance	3 m	5 m	10 m	15 m	20 m
Beam Width	1.2 m	2 m	4.1 m	6.1 m	8.2 m



### Beam Intensities from 1-20m

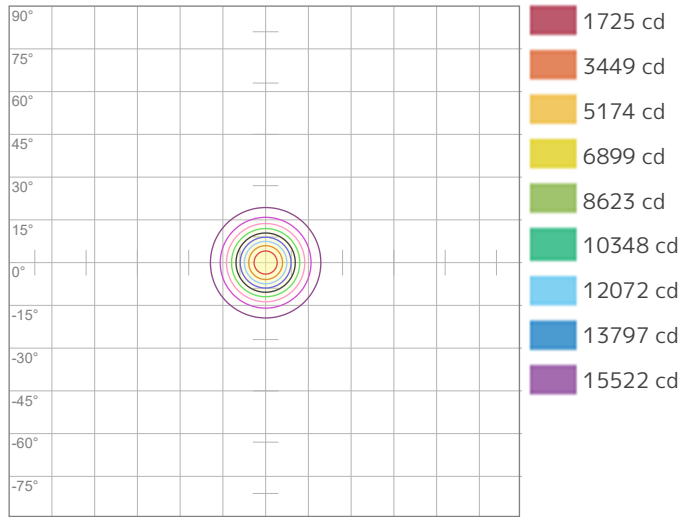
M	1	2	3	4	5	6	7	8	9	10	11	12	13	14	15	16	17	18	19	20
<b>LX</b>	17246	4312	1916	1078	690	479	352	269	213	172	143	120	102	88	77	67	60	53	48	43
<b>FT</b>	3.3	6.6	9.8	13.1	16.4	19.7	23	26.2	29.5	32.8	36.1	39.4	42.7	45.9	49.2	52.5	55.8	59.1	62.3	65.6
<b>FC</b>	1602.2	400.6	178	100.1	64.1	44.5	32.7	25	19.8	16	13.2	11.1	9.5	8.2	7.1	6.3	5.5	4.9	4.4	4

### Angular Distribution



<b>Beam Angle - 50%</b>
<b>23.1°</b>
<b>Field Angle - 10%</b>
<b>43.3°</b>
<b>Cutoff Angle - 2.5%</b>
<b>60.5°</b>

### ISO Diagrams

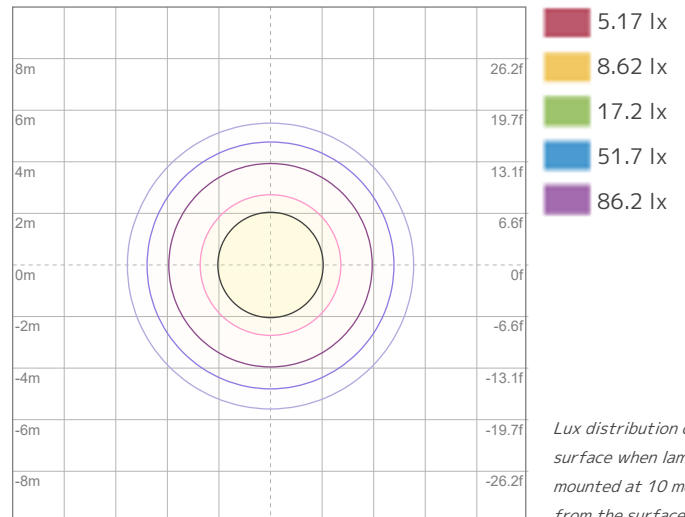


ISO Candela Diagram

Conditions:

Number of c-planes: 2

Candela at center: 17246 cd



ISO LUX Diagram

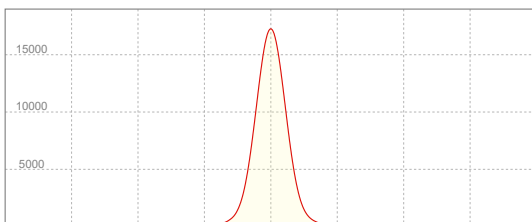
Conditions:

Number of c-planes: 2

LUX at center: 172 lx

*Lux distribution on a surface when lamp is mounted at 10 meters from the surface.*

### Linear Distribution



**Peak Candela**  
**17256 cd**

**Calculate Center Beam Intensities**

$$\text{lux} = 17256 / \text{distance(m)}^2$$

$$\text{fc} = 17256 / \text{distance(ft)}^2$$



### Key Measurements

#### Output

Total Lumen Output: 3444 lm  
Peak Intensity: 16716 cd

#### Beam

Beam Angle (50%): 23.1°  
Field Angle (10%): 43.3°  
Cutoff Angle (2.5%): 60.9°

#### Color

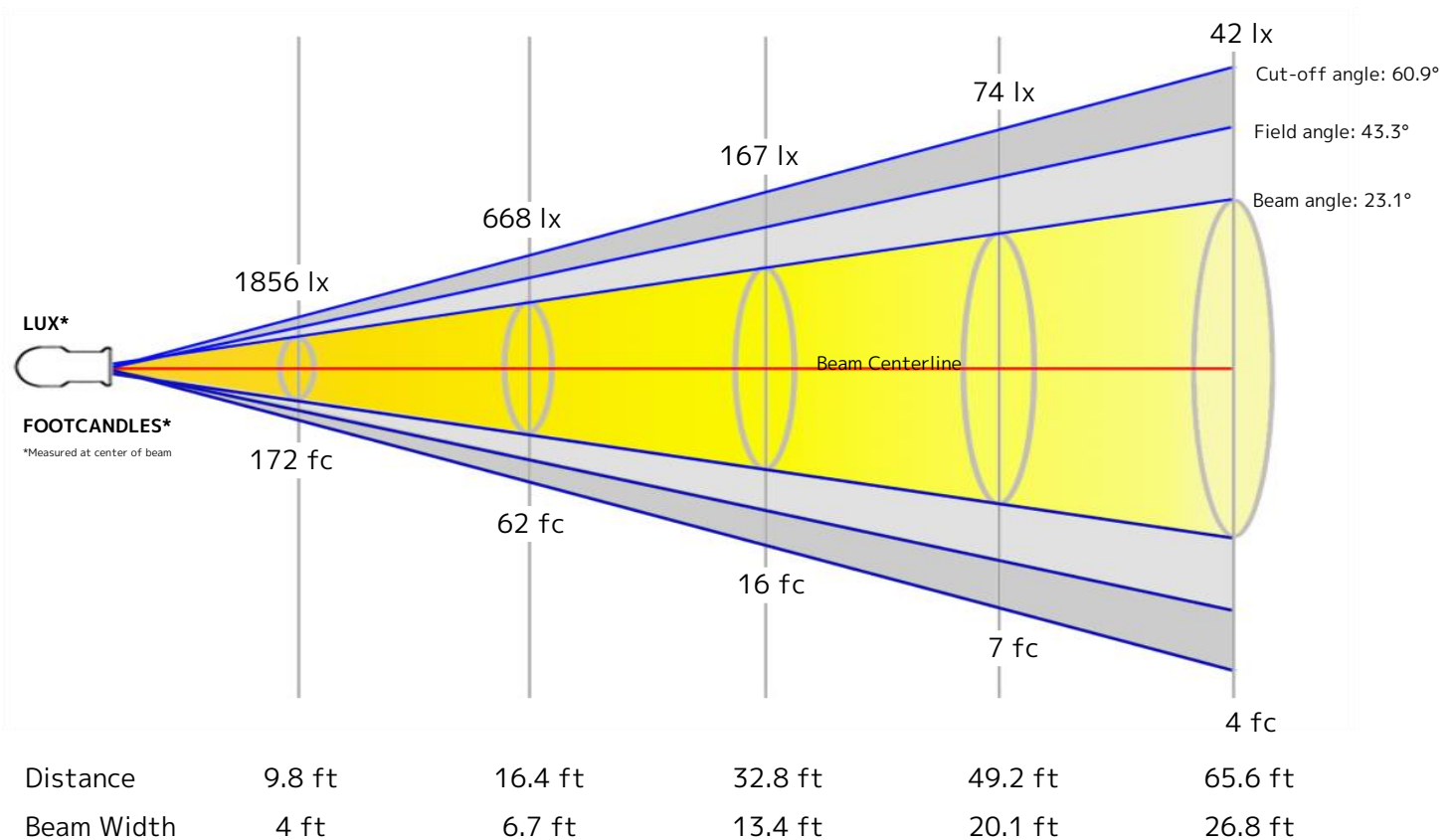
Color Temperature: 8442 K  
CRI: 88.3  
TLCI: 85  
TM30 R<sub>F</sub>: 87.0  
TM30 R<sub>G</sub>: 104.4

#### Power Details

Efficacy: 46 Lumen/Watt  
Power: 74.4 W  
Supply Voltage: 120 V  
Current: 0.630 A

### Beam Details

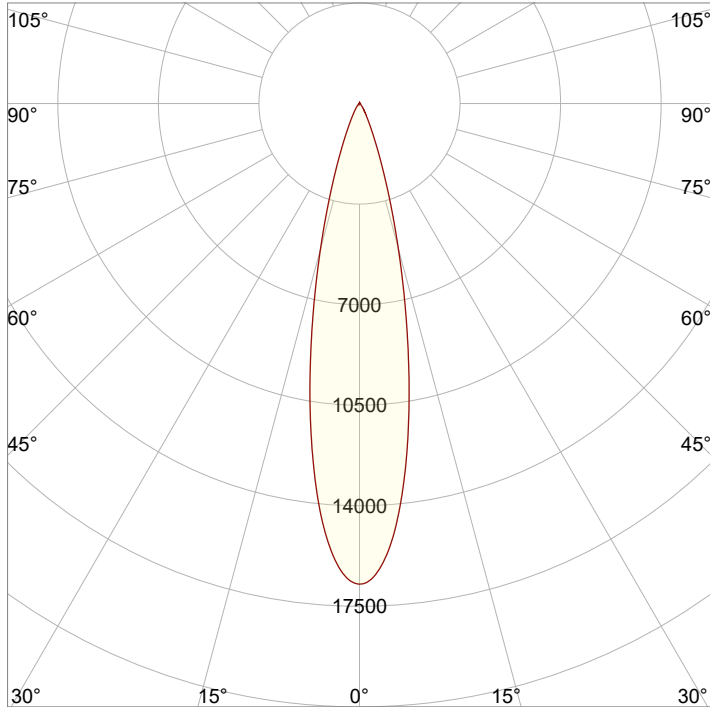
Distance	3 m	5 m	10 m	15 m	20 m
Beam Width	1.2 m	2 m	4.1 m	6.1 m	8.2 m



### Beam Intensities from 1-20m

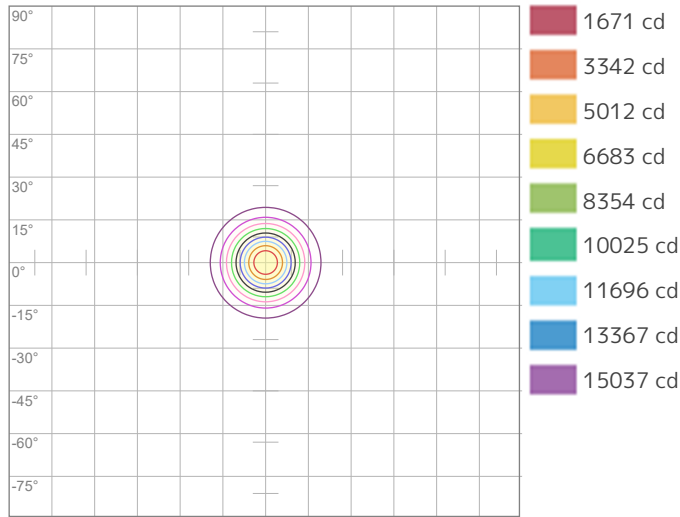
M	1	2	3	4	5	6	7	8	9	10	11	12	13	14	15	16	17	18	19	20
<b>LX</b>	16708	4177	1856	1044	668	464	341	261	206	167	138	116	99	85	74	65	58	52	46	42
<b>FT</b>	3.3	6.6	9.8	13.1	16.4	19.7	23	26.2	29.5	32.8	36.1	39.4	42.7	45.9	49.2	52.5	55.8	59.1	62.3	65.6
<b>FC</b>	1552.2	388.1	172.5	97	62.1	43.1	31.7	24.3	19.2	15.5	12.8	10.8	9.2	7.9	6.9	6.1	5.4	4.8	4.3	3.9

### Angular Distribution



<b>Beam Angle - 50%</b>
<b>23.1°</b>
<b>Field Angle - 10%</b>
<b>43.3°</b>
<b>Cutoff Angle - 2.5%</b>
<b>60.9°</b>

### ISO Diagrams

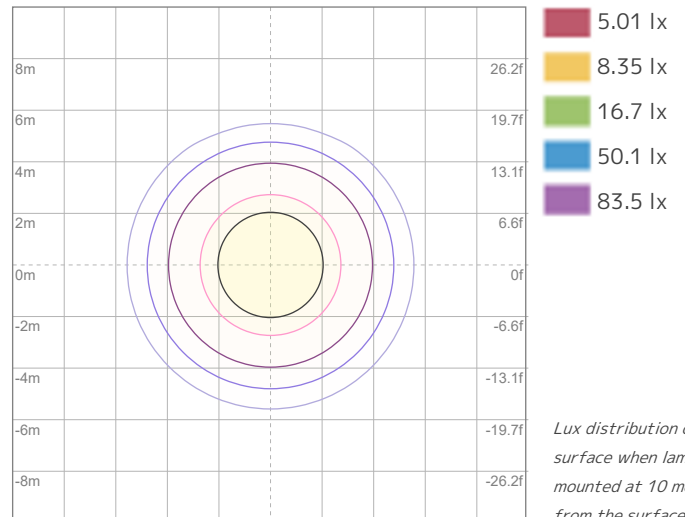


ISO Candela Diagram

Conditions:

Number of c-planes: 2

Candela at center: 16708 cd



ISO LUX Diagram

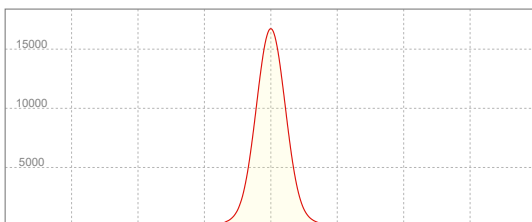
Conditions:

Number of c-planes: 2

LUX at center: 167 lx

*Lux distribution on a surface when lamp is mounted at 10 meters from the surface.*

### Linear Distribution



**Peak Candela**  
**16716 cd**

**Calculate Center Beam Intensities**

$$\text{lux} = 16716 / \text{distance(m)}^2$$

$$\text{fc} = 16716 / \text{distance(ft)}^2$$

### Key Measurements

#### Output

Total Lumen Output: 3753 lm  
Peak Intensity: 3065 cd

#### Beam

Beam Angle (50%): 62.5°  
Field Angle (10%): 111.7°  
Cutoff Angle (2.5%): 139.9°

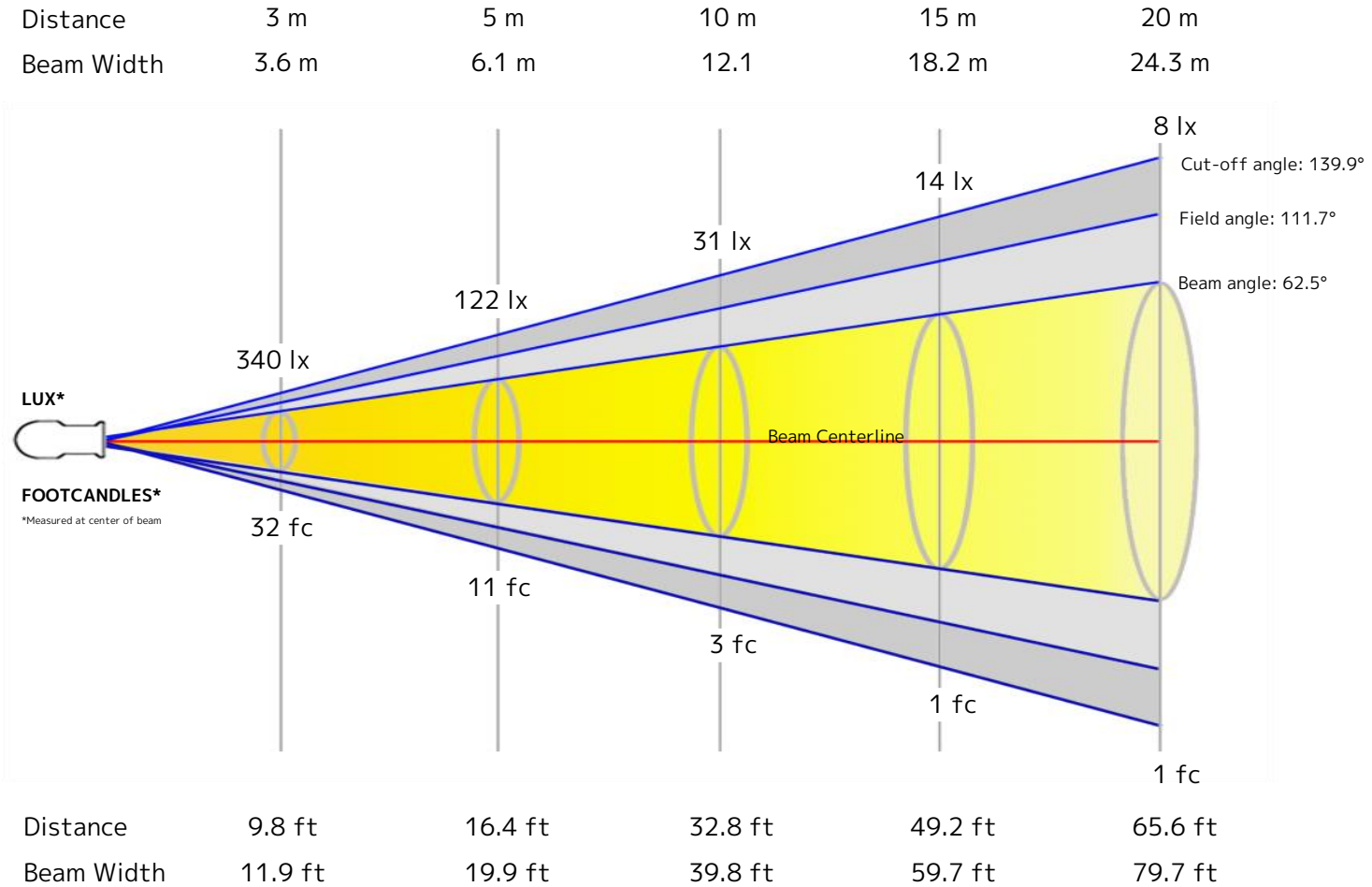
#### Color

Color Temperature: 7203 K  
CRI: 69.2  
TLCI: 78  
TM30 R<sub>F</sub>: 78.7  
TM30 R<sub>g</sub>: 119.5

#### Power Details

Efficacy: 43 Lumen/Watt  
Power: 86.9 W  
Supply Voltage: 119 V  
Current: 0.734 A

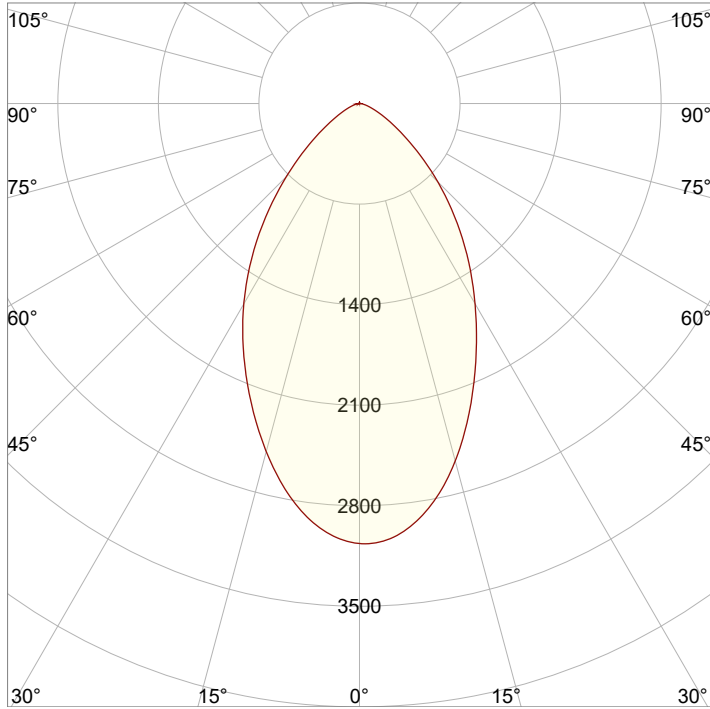
### Beam Details



### Beam Intensities from 1-20m

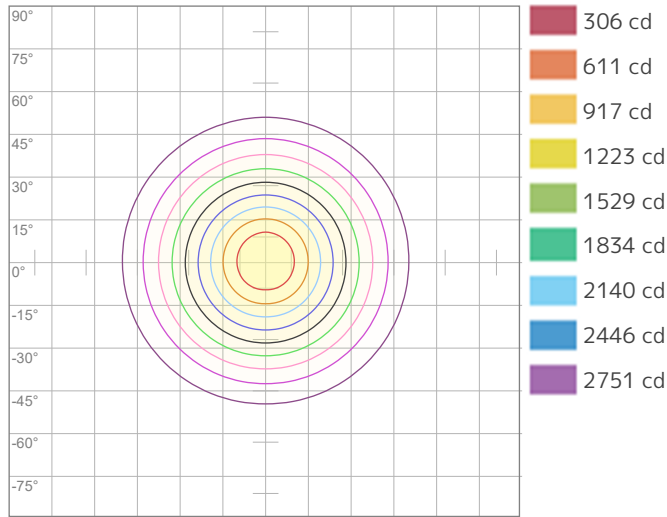
M	1	2	3	4	5	6	7	8	9	10	11	12	13	14	15	16	17	18	19	20
<b>LX</b>	3057	764	340	191	122	85	62	48	38	31	25	21	18	16	14	12	11	9	8	8
<b>FT</b>	3.3	6.6	9.8	13.1	16.4	19.7	23	26.2	29.5	32.8	36.1	39.4	42.7	45.9	49.2	52.5	55.8	59.1	62.3	65.6
<b>FC</b>	284	71	31.6	17.8	11.4	7.9	5.8	4.4	3.5	2.8	2.3	2	1.7	1.4	1.3	1.1	1	0.9	0.8	0.7

### Angular Distribution



<b>Beam Angle - 50%</b>
<b>62.5°</b>
<b>Field Angle - 10%</b>
<b>111.7°</b>
<b>Cutoff Angle - 2.5%</b>
<b>139.9°</b>

### ISO Diagrams

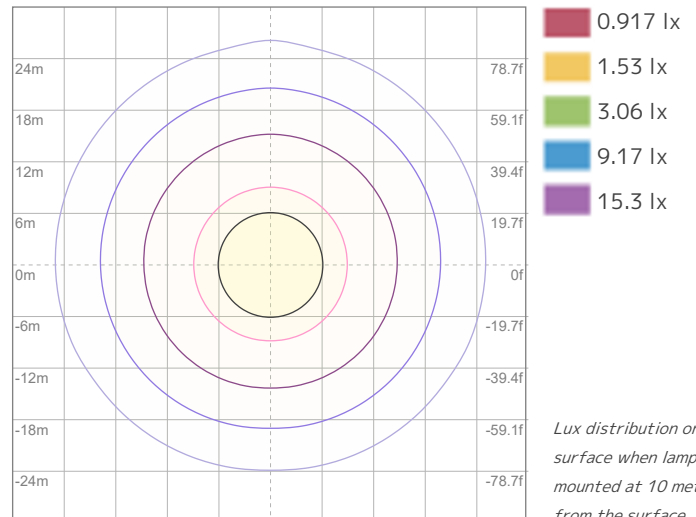


ISO Candela Diagram

Conditions:

Number of c-planes: 2

Candela at center: 3057 cd



ISO LUX Diagram

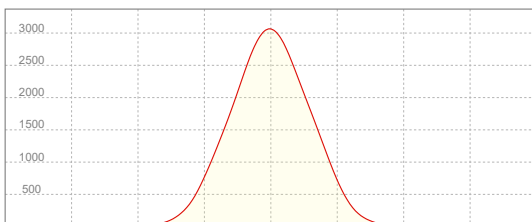
Conditions:

Number of c-planes: 2

LUX at center: 30.6 lx

*Lux distribution on a surface when lamp is mounted at 10 meters from the surface.*

### Linear Distribution



**Peak Candela**  
**3065 cd**

**Calculate Center Beam Intensities**

$$\text{lux} = 3065 / \text{distance(m)}^2$$

$$\text{fc} = 3065 / \text{distance(ft)}^2$$

## Key Measurements

### Output

Total Lumen Output: 3395 lm  
Peak Intensity: 2786 cd

### Beam

Beam Angle (50%): 62.4°  
Field Angle (10%): 111.7°  
Cutoff Angle (2.5%): 139.4°

### Color

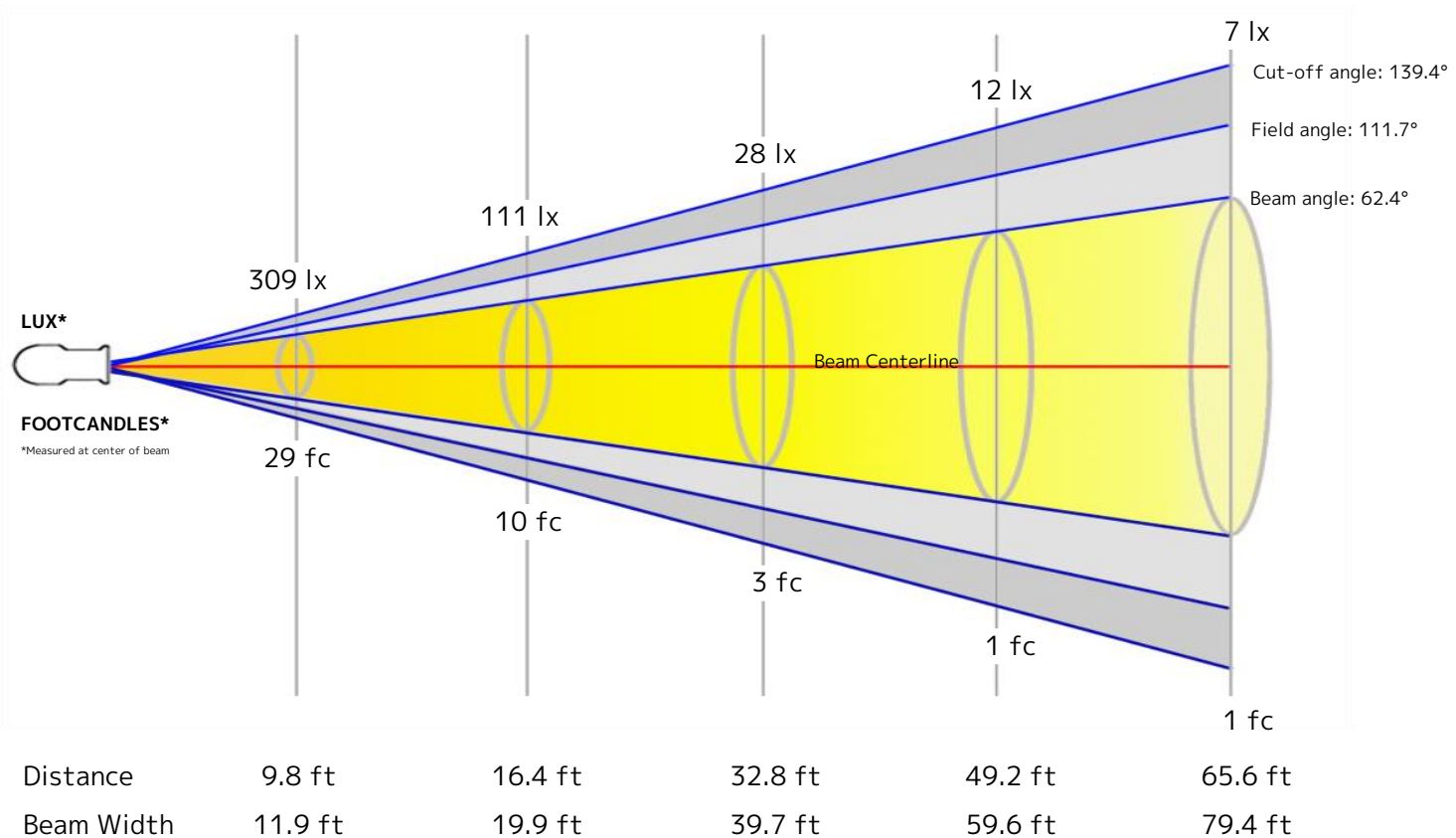
Color Temperature: 7759 K  
CRI: 67.5  
TLCI: 77  
TM30 R<sub>F</sub>: 77.1  
TM30 R<sub>g</sub>: 120.0

### Power Details

Efficacy: 37 Lumen/Watt  
Power: 91.3 W  
Supply Voltage: 120 V  
Current: 0.767 A

## Beam Details

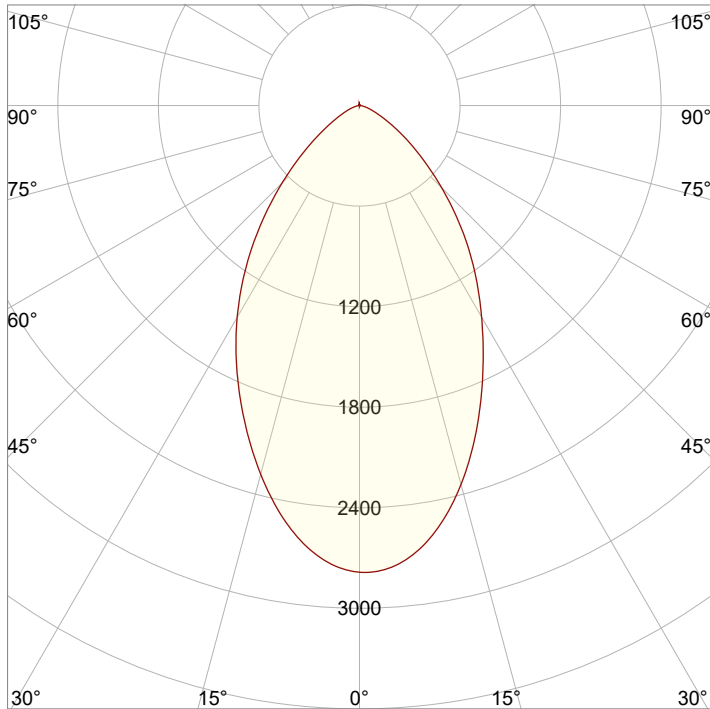
Distance	3 m	5 m	10 m	15 m	20 m
Beam Width	3.6 m	6.1 m	12.1	18.2 m	24.2 m



## Beam Intensities from 1-20m

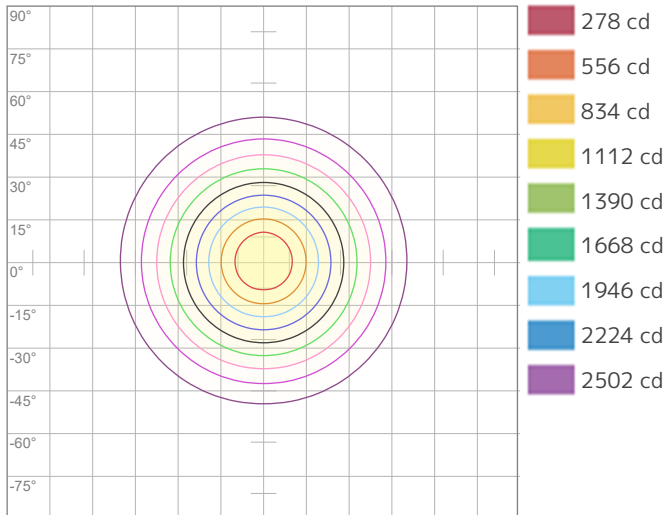
M	1	2	3	4	5	6	7	8	9	10	11	12	13	14	15	16	17	18	19	20
<b>LX</b>	2779	695	309	174	111	77	57	43	34	28	23	19	16	14	12	11	10	9	8	7
<b>FT</b>	3.3	6.6	9.8	13.1	16.4	19.7	23	26.2	29.5	32.8	36.1	39.4	42.7	45.9	49.2	52.5	55.8	59.1	62.3	65.6
<b>FC</b>	258.2	64.6	28.7	16.1	10.3	7.2	5.3	4	3.2	2.6	2.1	1.8	1.5	1.3	1.1	1	0.9	0.8	0.7	0.6

### Angular Distribution



<b>Beam Angle - 50%</b>
<b>62.4°</b>
<b>Field Angle - 10%</b>
<b>111.7°</b>
<b>Cutoff Angle - 2.5%</b>
<b>139.4°</b>

### ISO Diagrams

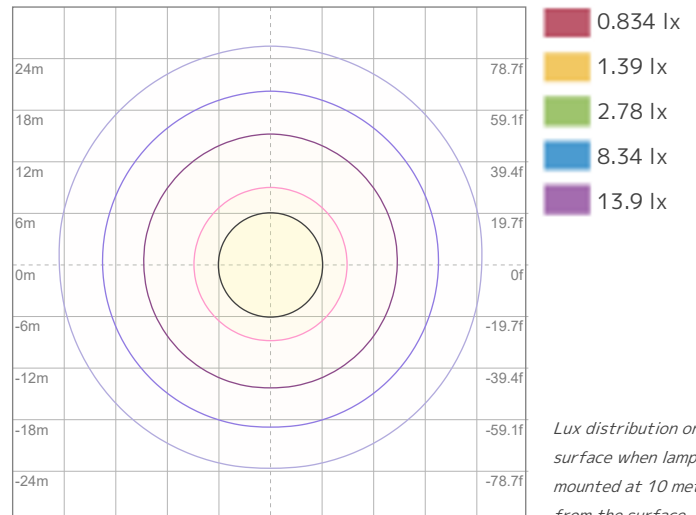


ISO Candela Diagram

Conditions:

Number of c-planes: 2

Candela at center: 2779 cd



ISO LUX Diagram

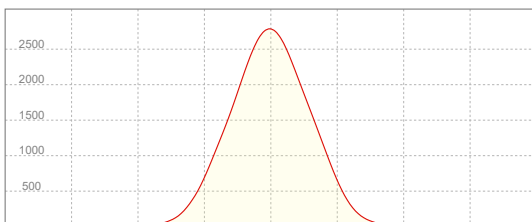
Conditions:

Number of c-planes: 2

LUX at center: 27.8 lx

*Lux distribution on a surface when lamp is mounted at 10 meters from the surface.*

### Linear Distribution



**Peak Candela**  
**2786 cd**

**Calculate Center Beam Intensities**

$$\text{lux} = 2786 / \text{distance(m)}^2$$

$$\text{fc} = 2786 / \text{distance(ft)}^2$$

### Key Measurements

#### Output

Total Lumen Output: 2457 lm  
Peak Intensity: 2033 cd

#### Beam

Beam Angle (50%): 62.2°  
Field Angle (10%): 111.3°  
Cutoff Angle (2.5%): 138.2°

#### Color

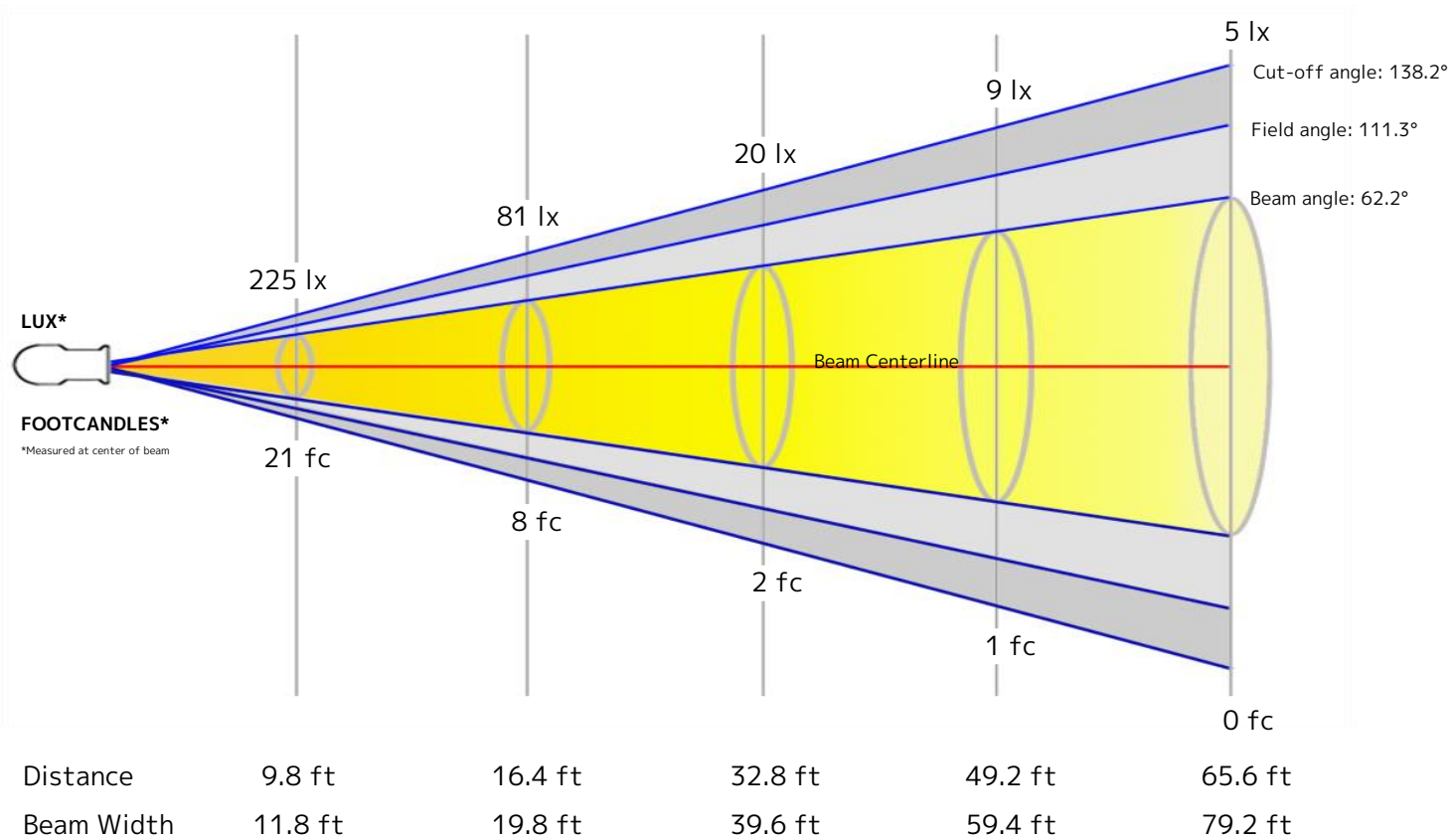
Color Temperature: 2400 K  
CRI: 84.7  
TLCI: 71  
TM30 R<sub>F</sub>: 87.7  
TM30 R<sub>g</sub>: 108.6

#### Power Details

Efficacy: 45 Lumen/Watt  
Power: 54.1 W  
Supply Voltage: 120 V  
Current: 0.463 A

### Beam Details

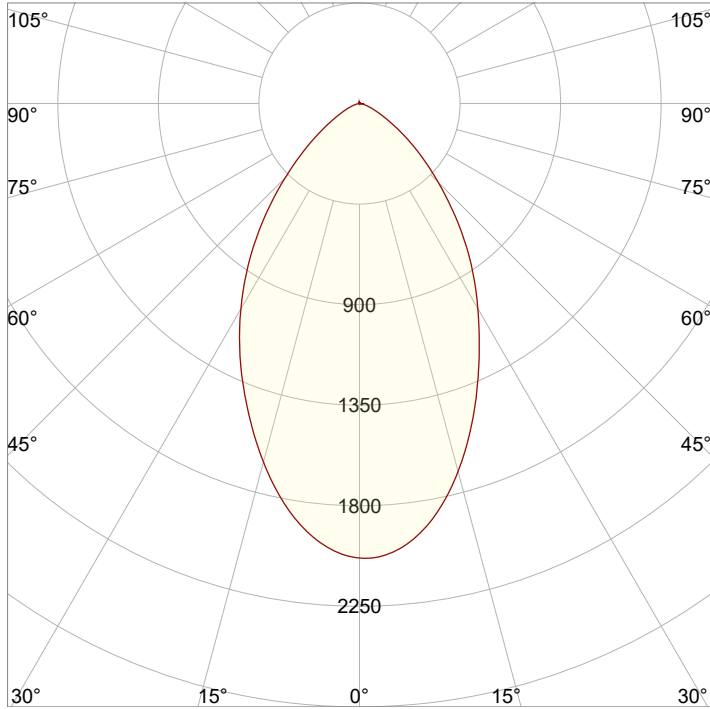
Distance	3 m	5 m	10 m	15 m	20 m
Beam Width	3.6 m	6 m	12.1	18.1 m	24.1 m



### Beam Intensities from 1-20m

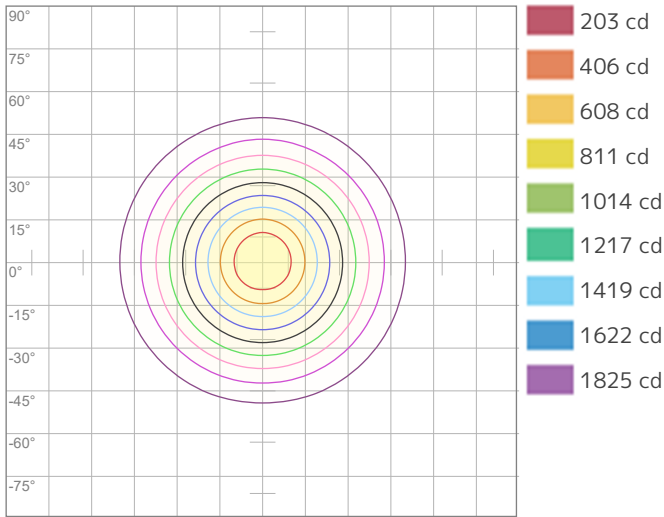
M	1	2	3	4	5	6	7	8	9	10	11	12	13	14	15	16	17	18	19	20
<b>LX</b>	2028	507	225	127	81	56	41	32	25	20	17	14	12	10	9	8	7	6	6	5
<b>FT</b>	3.3	6.6	9.8	13.1	16.4	19.7	23	26.2	29.5	32.8	36.1	39.4	42.7	45.9	49.2	52.5	55.8	59.1	62.3	65.6
<b>FC</b>	188.4	47.1	20.9	11.8	7.5	5.2	3.8	2.9	2.3	1.9	1.6	1.3	1.1	1	0.8	0.7	0.7	0.6	0.5	0.5

### Angular Distribution

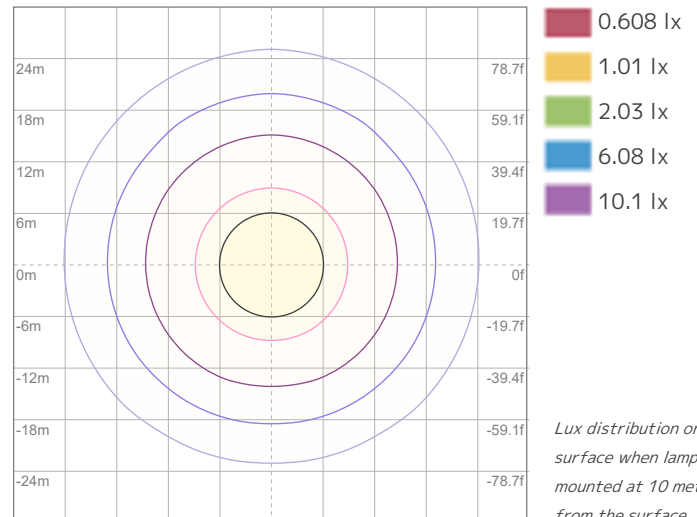


<b>Beam Angle - 50%</b>
<b>62.2°</b>
<b>Field Angle - 10%</b>
<b>111.3°</b>
<b>Cutoff Angle - 2.5%</b>
<b>138.2°</b>

### ISO Diagrams



ISO Candela Diagram



ISO LUX Diagram

*Lux distribution on a surface when lamp is mounted at 10 meters from the surface.*

Conditions:

Number of c-planes: 2

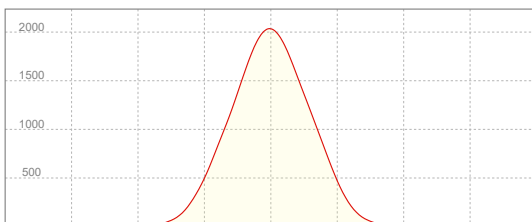
Candela at center: 2028 cd

Conditions:

Number of c-planes: 2

LUX at center: 20.3 lx

### Linear Distribution



**Peak Candela**  
**2033 cd**

**Calculate Center Beam Intensities**

$$\text{lux} = 2033 / \text{distance(m)}^2$$

$$\text{fc} = 2033 / \text{distance(ft)}^2$$



### Key Measurements

#### Output

Total Lumen Output: 3178 lm  
Peak Intensity: 2601 cd

#### Beam

Beam Angle (50%): 62.4°  
Field Angle (10%): 111.6°  
Cutoff Angle (2.5%): 139.8°

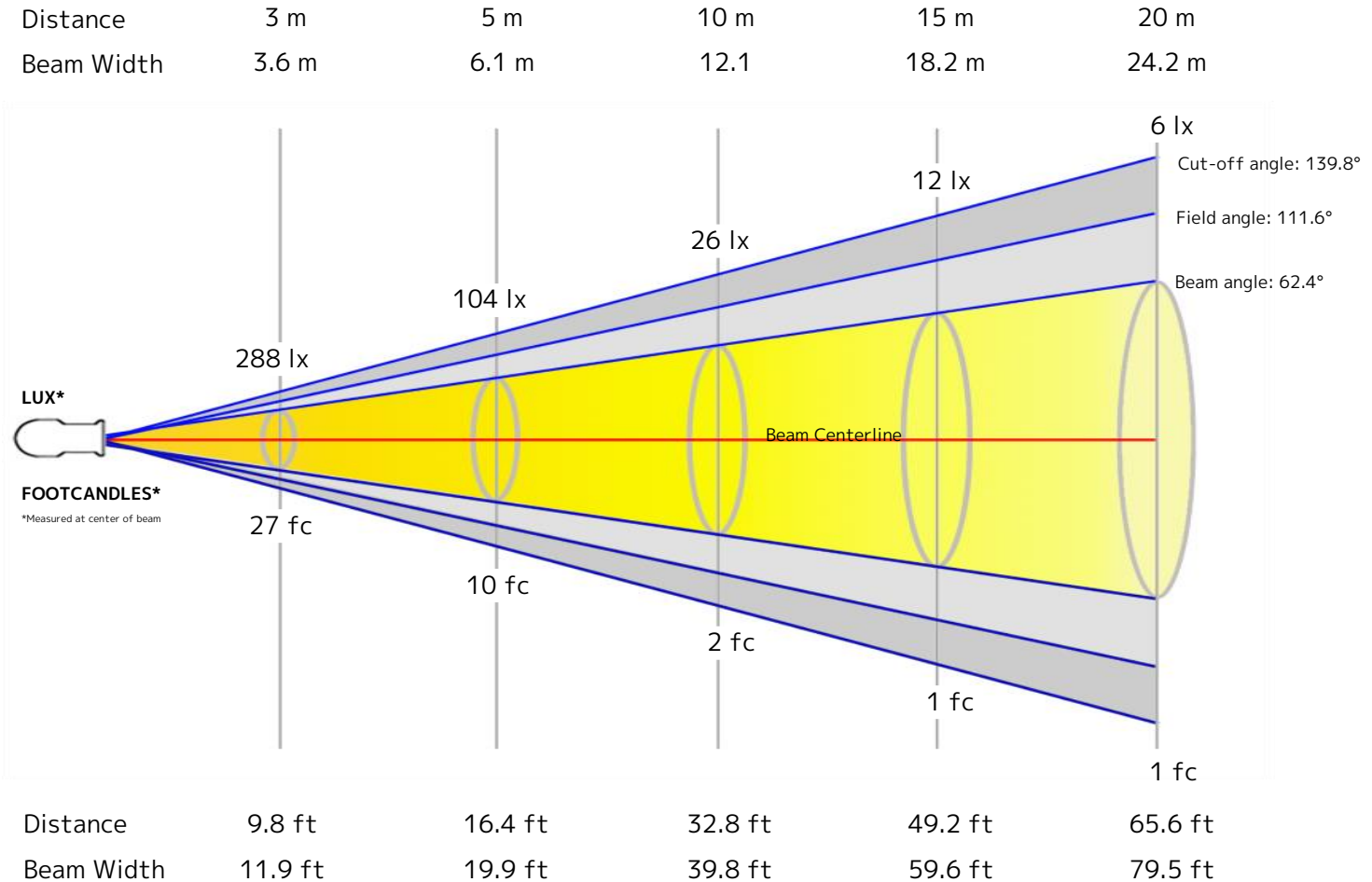
#### Color

Color Temperature: 3165 K  
CRI: 89.1  
TLCI: 79  
TM30 R<sub>F</sub>: 90.8  
TM30 R<sub>g</sub>: 108.1

#### Power Details

Efficacy: 49 Lumen/Watt  
Power: 64.7 W  
Supply Voltage: 119 V  
Current: 0.551 A

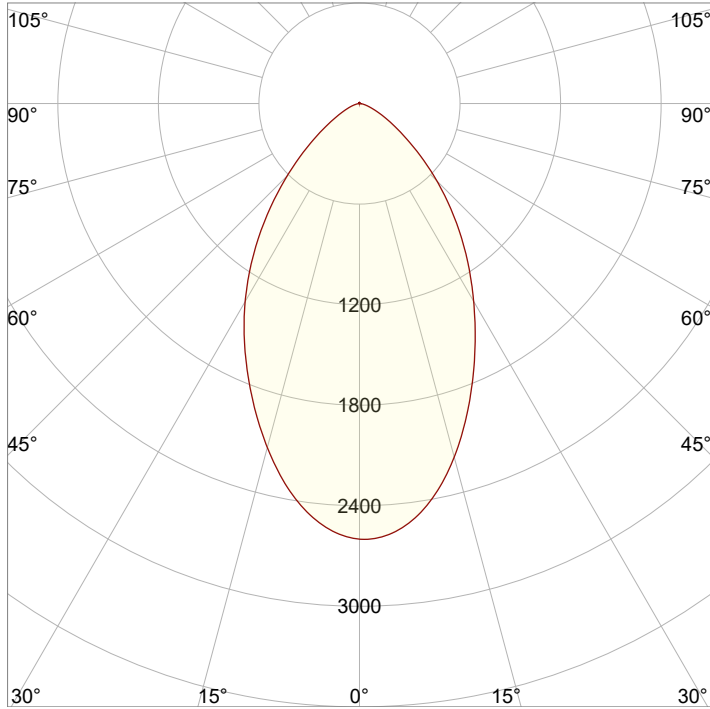
### Beam Details



### Beam Intensities from 1-20m

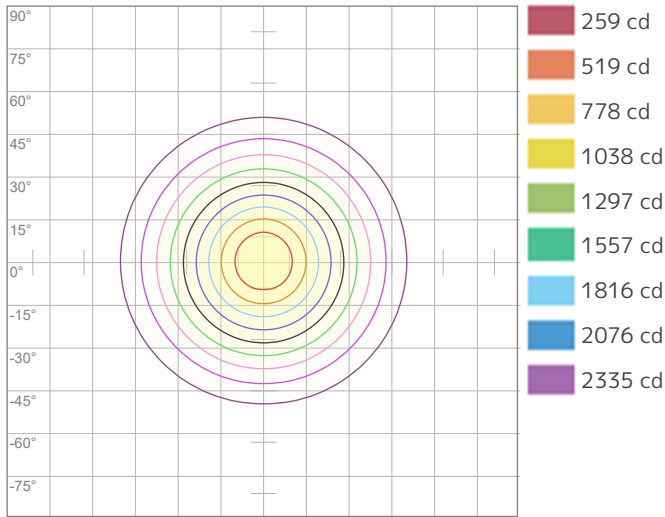
M	1	2	3	4	5	6	7	8	9	10	11	12	13	14	15	16	17	18	19	20
<b>LX</b>	2595	649	288	162	104	72	53	41	32	26	21	18	15	13	12	10	9	8	7	6
<b>FT</b>	3.3	6.6	9.8	13.1	16.4	19.7	23	26.2	29.5	32.8	36.1	39.4	42.7	45.9	49.2	52.5	55.8	59.1	62.3	65.6
<b>FC</b>	241.1	60.3	26.8	15.1	9.6	6.7	4.9	3.8	3	2.4	2	1.7	1.4	1.2	1.1	0.9	0.8	0.7	0.7	0.6

### Angular Distribution



<b>Beam Angle - 50%</b>
<b>62.4°</b>
<b>Field Angle - 10%</b>
<b>111.6°</b>
<b>Cutoff Angle - 2.5%</b>
<b>139.8°</b>

### ISO Diagrams

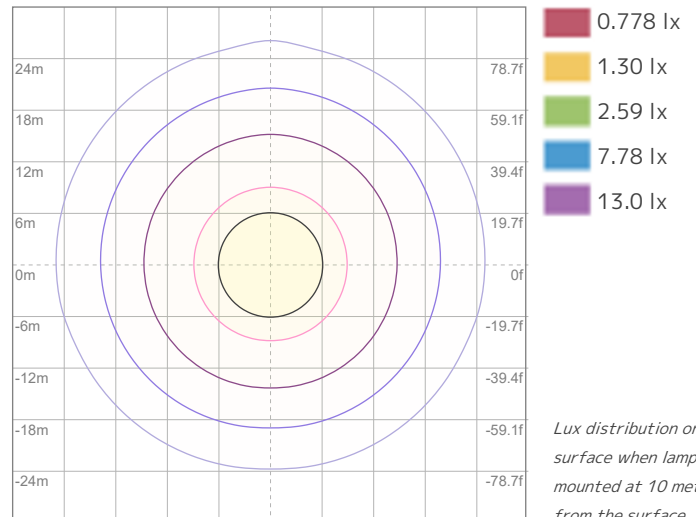


ISO Candela Diagram

Conditions:

Number of c-planes: 2

Candela at center: 2595 cd



ISO LUX Diagram

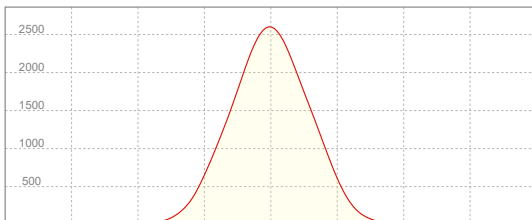
Conditions:

Number of c-planes: 2

LUX at center: 25.9 lx

*Lux distribution on a surface when lamp is mounted at 10 meters from the surface.*

### Linear Distribution



**Peak Candela**  
**2601 cd**

**Calculate Center Beam Intensities**

$$\text{lux} = 2601 / \text{distance(m)}^2$$

$$\text{fc} = 2601 / \text{distance(ft)}^2$$

### Key Measurements

#### Output

Total Lumen Output: 3405 lm  
Peak Intensity: 2758 cd

#### Beam

Beam Angle (50%): 62.8°  
Field Angle (10%): 112.1°  
Cutoff Angle (2.5%): 140.8°

#### Color

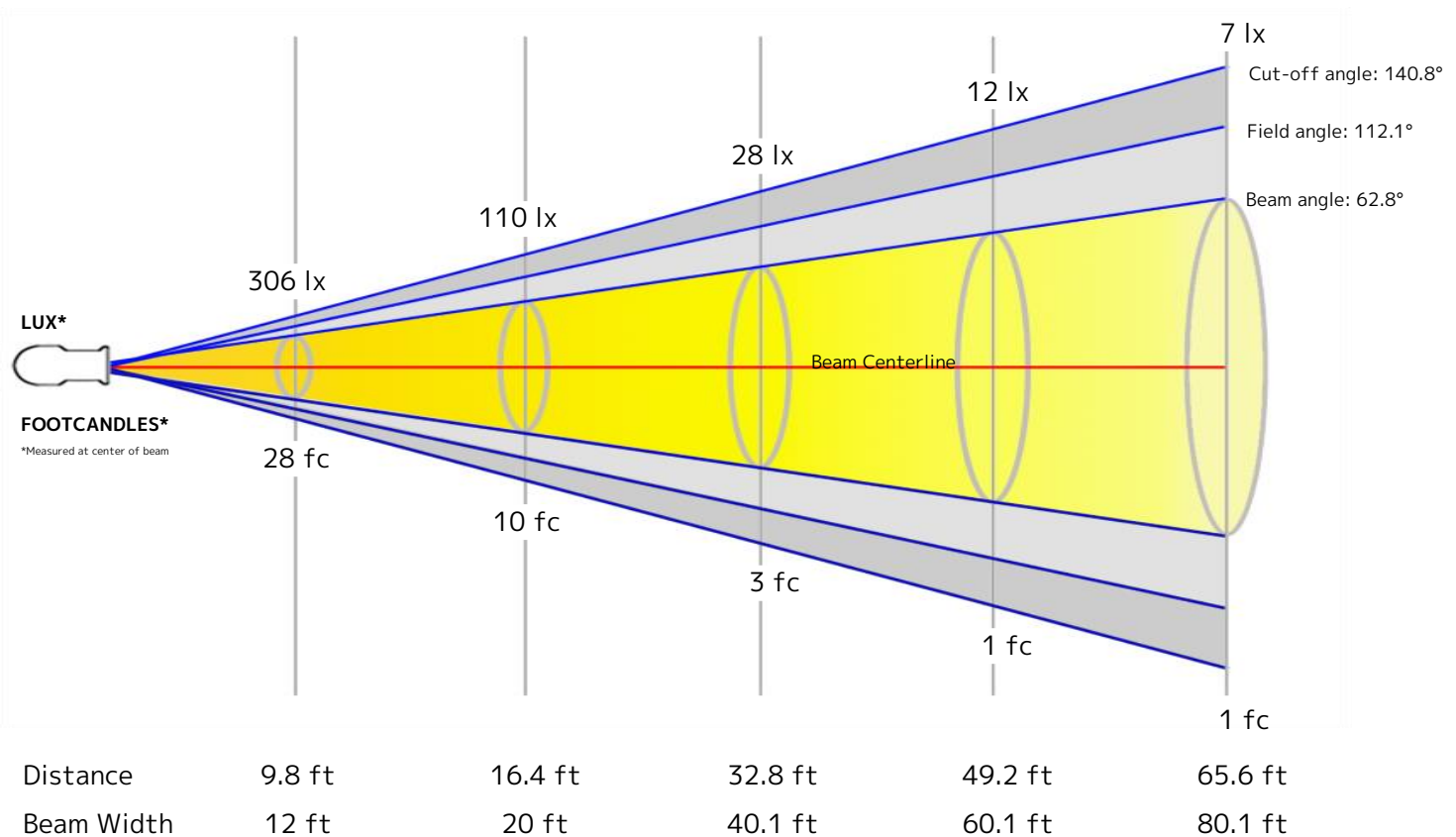
Color Temperature: 4458 K  
CRI: 90.6  
TLCI: 80  
TM30 R<sub>F</sub>: 90.6  
TM30 R<sub>g</sub>: 107.5

#### Power Details

Efficacy: 50 Lumen/Watt  
Power: 68.6 W  
Supply Voltage: 119 V  
Current: 0.583 A

### Beam Details

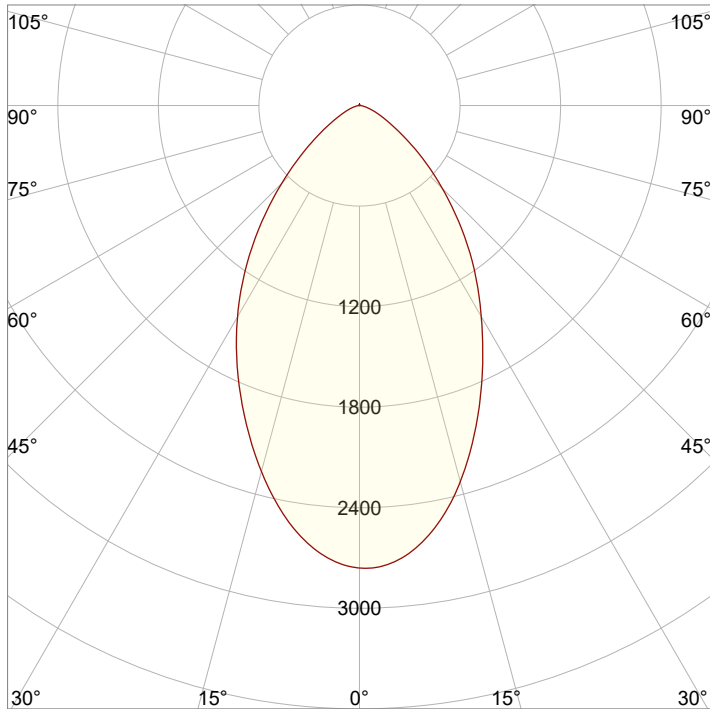
Distance	3 m	5 m	10 m	15 m	20 m
Beam Width	3.7 m	6.1 m	12.2	18.3 m	24.4 m



### Beam Intensities from 1-20m

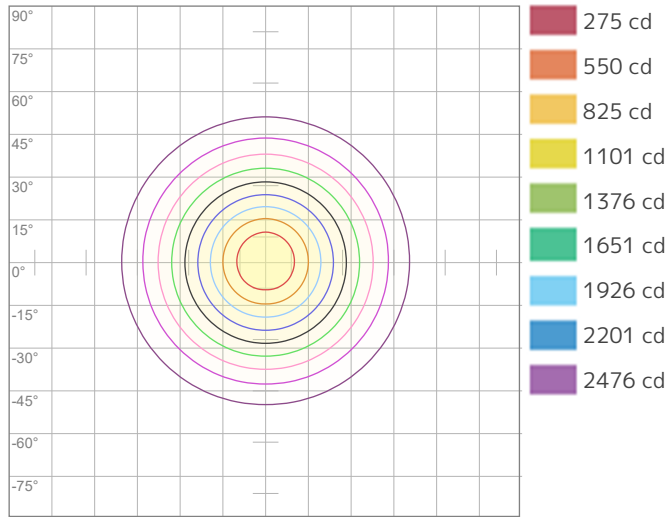
M	1	2	3	4	5	6	7	8	9	10	11	12	13	14	15	16	17	18	19	20
<b>LX</b>	2751	688	306	172	110	76	56	43	34	28	23	19	16	14	12	11	10	8	8	7
<b>FT</b>	3.3	6.6	9.8	13.1	16.4	19.7	23	26.2	29.5	32.8	36.1	39.4	42.7	45.9	49.2	52.5	55.8	59.1	62.3	65.6
<b>FC</b>	255.6	63.9	28.4	16	10.2	7.1	5.2	4	3.2	2.6	2.1	1.8	1.5	1.3	1.1	1	0.9	0.8	0.7	0.6

### Angular Distribution



<b>Beam Angle - 50%</b>
<b>62.8°</b>
<b>Field Angle - 10%</b>
<b>112.1°</b>
<b>Cutoff Angle - 2.5%</b>
<b>140.8°</b>

### ISO Diagrams

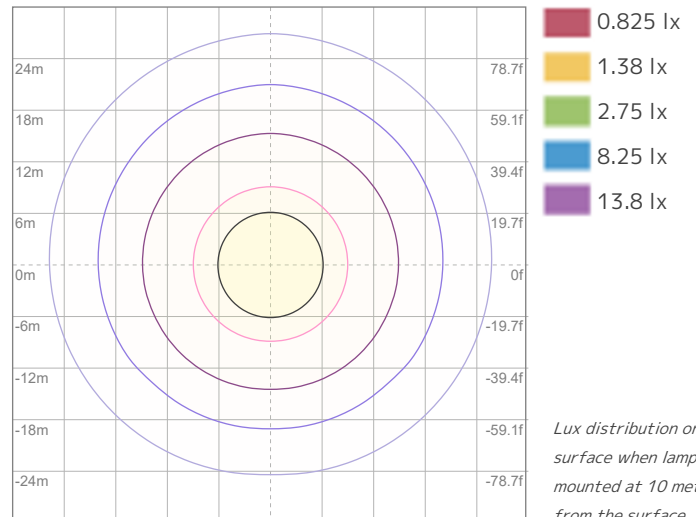


ISO Candela Diagram

Conditions:

Number of c-planes: 2

Candela at center: 2751 cd



ISO LUX Diagram

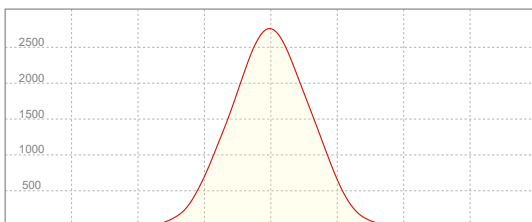
Conditions:

Number of c-planes: 2

LUX at center: 27.5 lx

*Lux distribution on a surface when lamp is mounted at 10 meters from the surface.*

### Linear Distribution



**Peak Candela**  
**2758 cd**

**Calculate Center Beam Intensities**

$$\text{lux} = 2758 / \text{distance(m)}^2$$

$$\text{fc} = 2758 / \text{distance(ft)}^2$$

### Key Measurements

#### Output

Total Lumen Output: 3511 lm  
Peak Intensity: 2854 cd

#### Beam

Beam Angle (50%): 62.8°  
Field Angle (10%): 112.2°  
Cutoff Angle (2.5%): 140°

#### Color

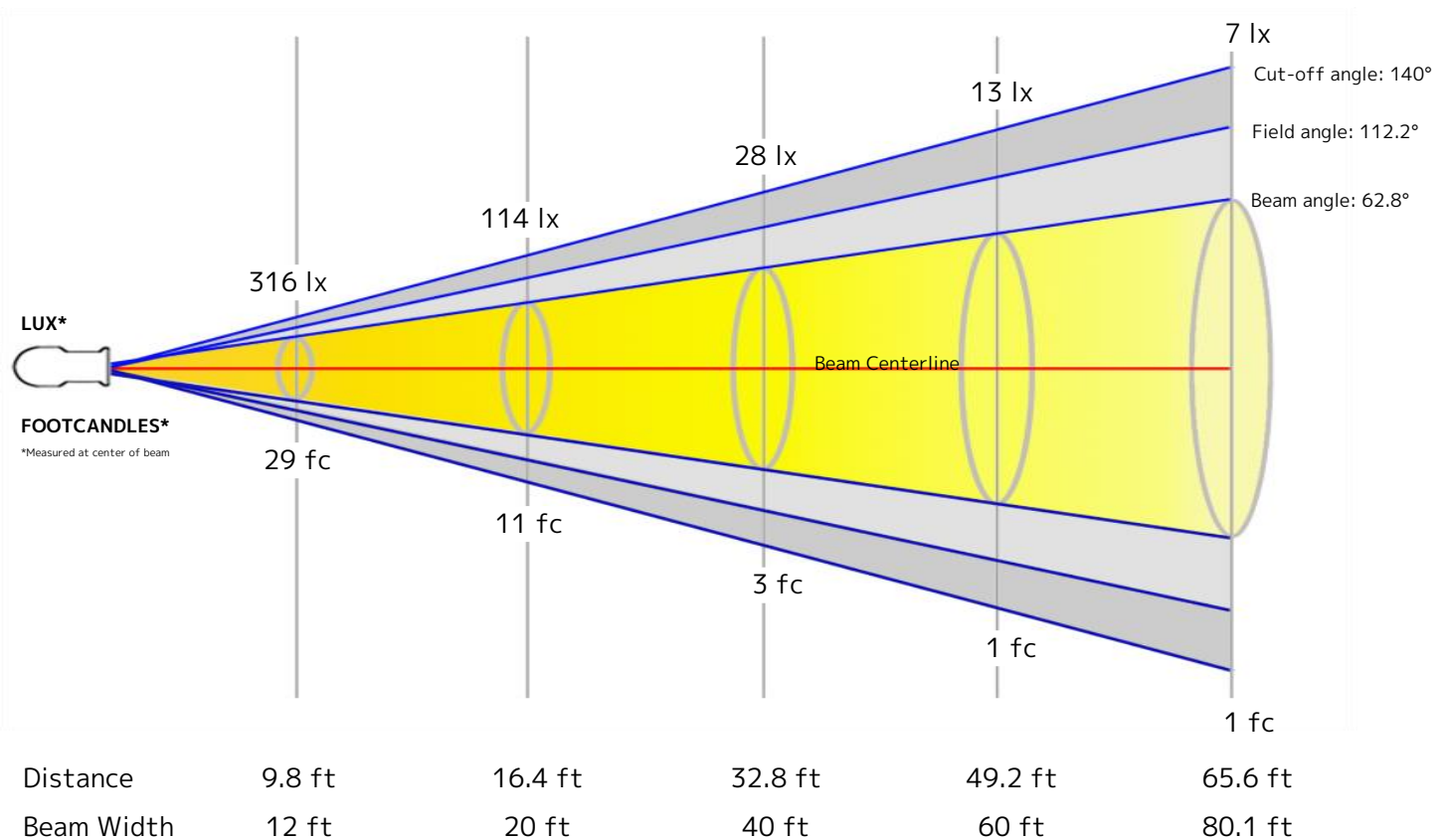
Color Temperature: 6443 K  
CRI: 88.9  
TLCI: 83  
TM30 R<sub>F</sub>: 88.5  
TM30 R<sub>g</sub>: 106.9

#### Power Details

Efficacy: 48 Lumen/Watt  
Power: 73.3 W  
Supply Voltage: 119 V  
Current: 0.624 A

### Beam Details

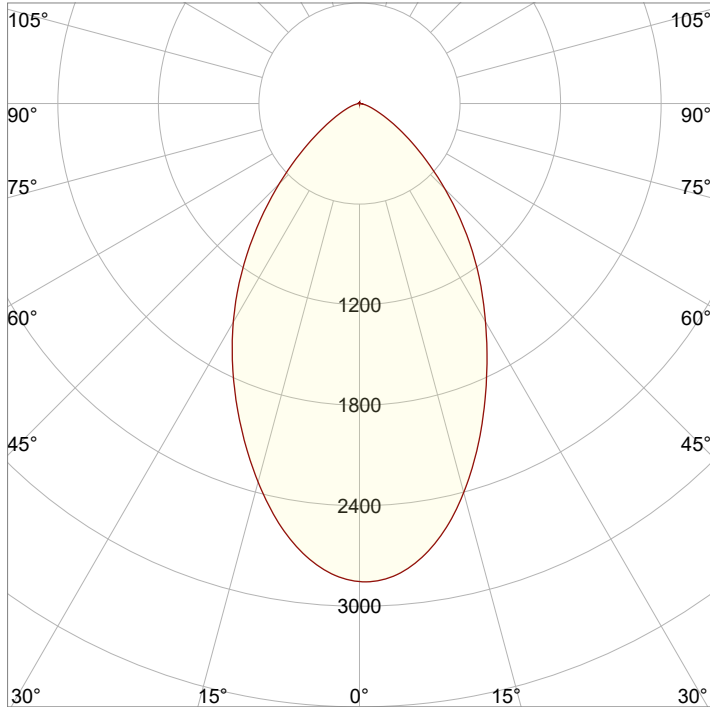
Distance	3 m	5 m	10 m	15 m	20 m
Beam Width	3.7 m	6.1 m	12.2	18.3 m	24.4 m



### Beam Intensities from 1-20m

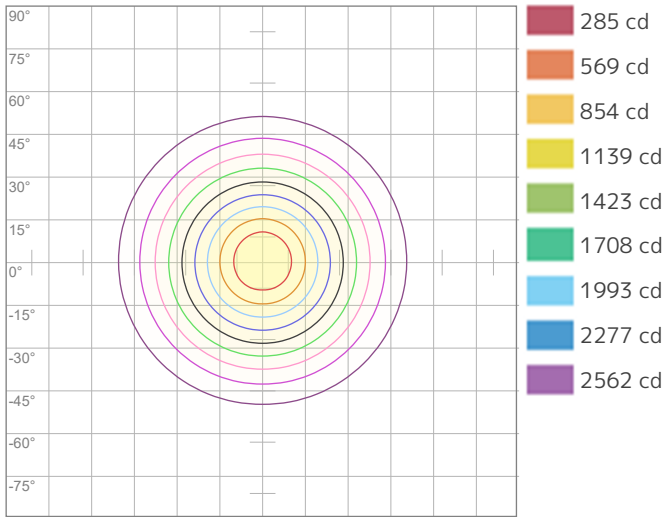
M	1	2	3	4	5	6	7	8	9	10	11	12	13	14	15	16	17	18	19	20
<b>LX</b>	2847	712	316	178	114	79	58	44	35	28	24	20	17	15	13	11	10	9	8	7
<b>FT</b>	3.3	6.6	9.8	13.1	16.4	19.7	23	26.2	29.5	32.8	36.1	39.4	42.7	45.9	49.2	52.5	55.8	59.1	62.3	65.6
<b>FC</b>	264.5	66.1	29.4	16.5	10.6	7.3	5.4	4.1	3.3	2.6	2.2	1.8	1.6	1.3	1.2	1	0.9	0.8	0.7	0.7

### Angular Distribution



<b>Beam Angle - 50%</b>
<b>62.8°</b>
<b>Field Angle - 10%</b>
<b>112.2°</b>
<b>Cutoff Angle - 2.5%</b>
<b>140°</b>

### ISO Diagrams

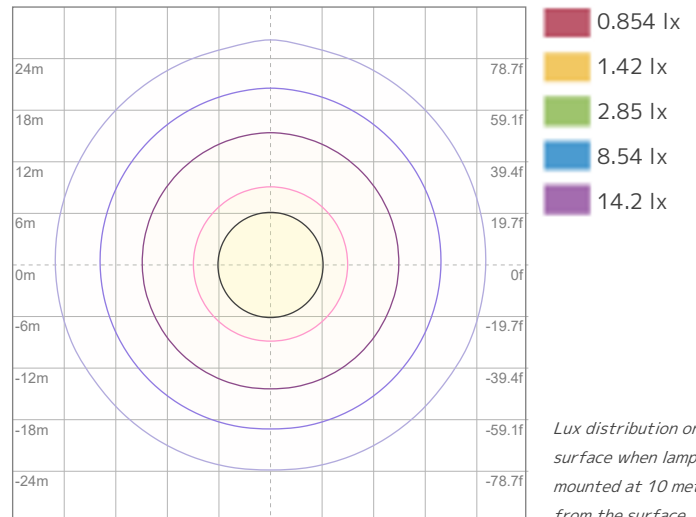


ISO Candela Diagram

Conditions:

Number of c-planes: 2

Candela at center: 2847 cd



ISO LUX Diagram

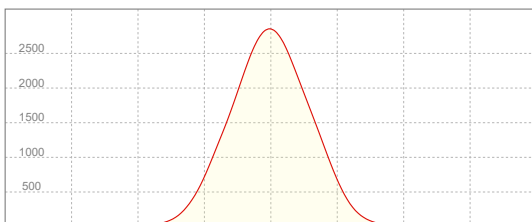
Conditions:

Number of c-planes: 2

LUX at center: 28.5 lx

*Lux distribution on a surface when lamp is mounted at 10 meters from the surface.*

### Linear Distribution



**Peak Candela**  
**2854 cd**

**Calculate Center Beam Intensities**

$$\text{lux} = 2854 / \text{distance(m)}^2$$

$$\text{fc} = 2854 / \text{distance(ft)}^2$$

### Key Measurements

#### Output

Total Lumen Output: 3537 lm  
Peak Intensity: 2823 cd

#### Beam

Beam Angle (50%): 63.3°  
Field Angle (10%): 113.3°  
Cutoff Angle (2.5%): 141.5°

#### Color

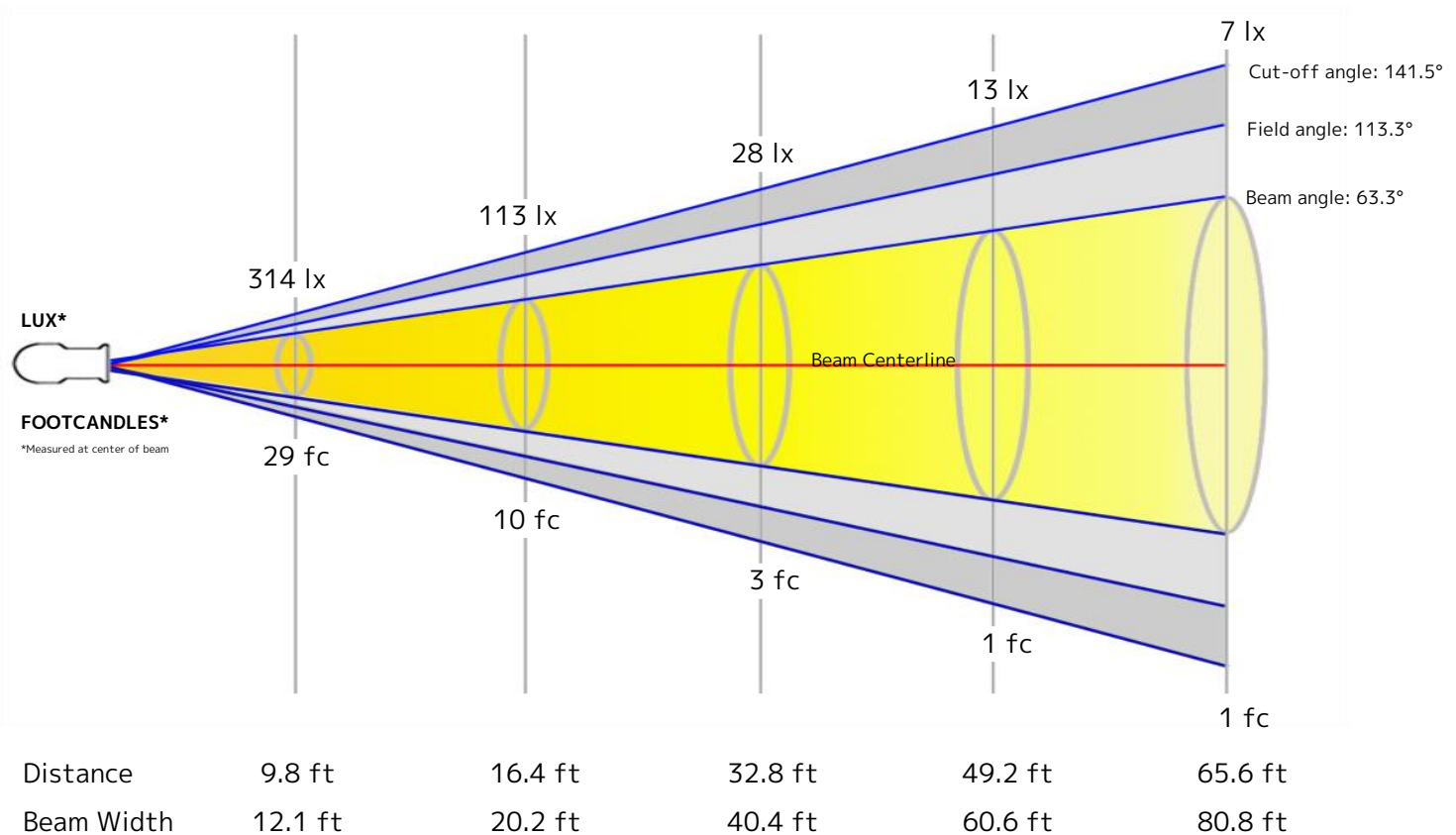
Color Temperature: 8487 K  
CRI: 87.8  
TLCI: 83  
TM30 R<sub>F</sub>: 86.8  
TM30 R<sub>g</sub>: 105.3

#### Power Details

Efficacy: 48 Lumen/Watt  
Power: 74.1 W  
Supply Voltage: 119 V  
Current: 0.630 A

### Beam Details

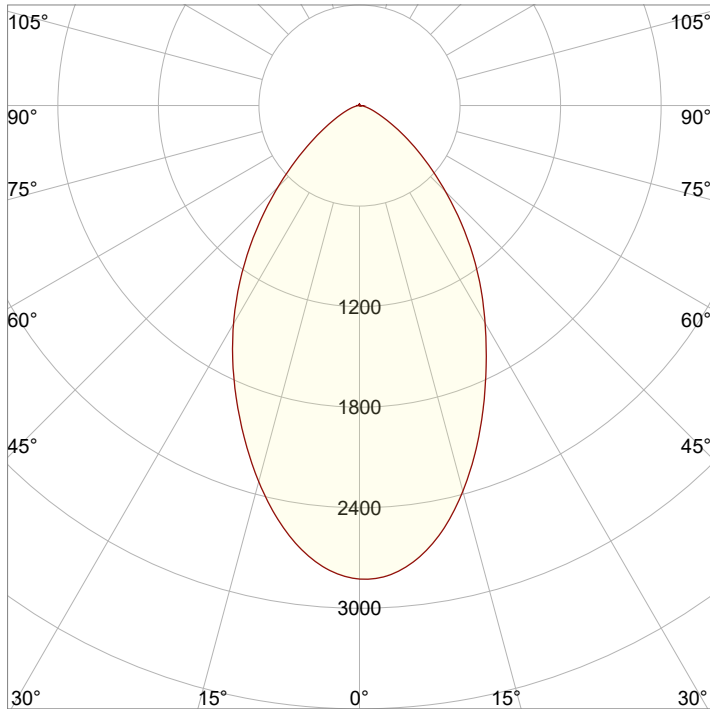
Distance	3 m	5 m	10 m	15 m	20 m
Beam Width	3.7 m	6.2 m	12.3	18.5 m	24.6 m



### Beam Intensities from 1-20m

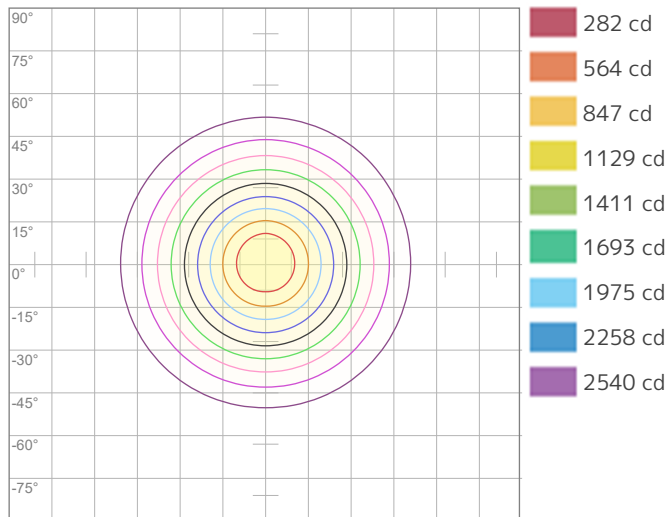
M	1	2	3	4	5	6	7	8	9	10	11	12	13	14	15	16	17	18	19	20
<b>LX</b>	2822	706	314	176	113	78	58	44	35	28	23	20	17	14	13	11	10	9	8	7
<b>FT</b>	3.3	6.6	9.8	13.1	16.4	19.7	23	26.2	29.5	32.8	36.1	39.4	42.7	45.9	49.2	52.5	55.8	59.1	62.3	65.6
<b>FC</b>	262.2	65.5	29.1	16.4	10.5	7.3	5.4	4.1	3.2	2.6	2.2	1.8	1.6	1.3	1.2	1	0.9	0.8	0.7	0.7

### Angular Distribution



<b>Beam Angle - 50%</b>
<b>63.3°</b>
<b>Field Angle - 10%</b>
<b>113.3°</b>
<b>Cutoff Angle - 2.5%</b>
<b>141.5°</b>

### ISO Diagrams

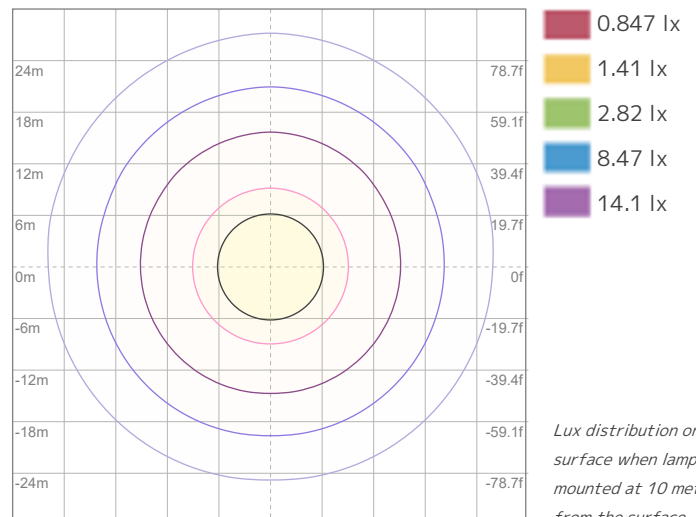


**ISO Candela Diagram**

Conditions:

Number of c-planes: 2

Candela at center: 2822 cd



**ISO LUX Diagram**

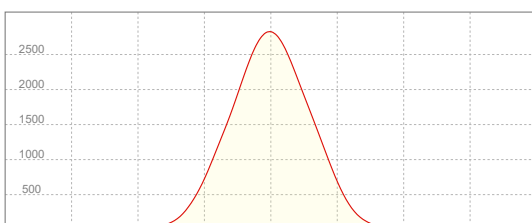
Conditions:

Number of c-planes: 2

LUX at center: 28.2 lx

*Lux distribution on a surface when lamp is mounted at 10 meters from the surface.*

### Linear Distribution



**Peak Candela**  
**2823 cd**

**Calculate Center Beam Intensities**

$$\text{lux} = 2823 / \text{distance(m)}^2$$

$$\text{fc} = 2823 / \text{distance(ft)}^2$$



### Key Measurements

#### Output

Total Lumen Output: 3750 lm  
Peak Intensity: 2145 cd

#### Beam

Beam Angle (50%): 84.1°  
Field Angle (10%): 118.9°  
Cutoff Angle (2.5%): 149.5°

#### Color

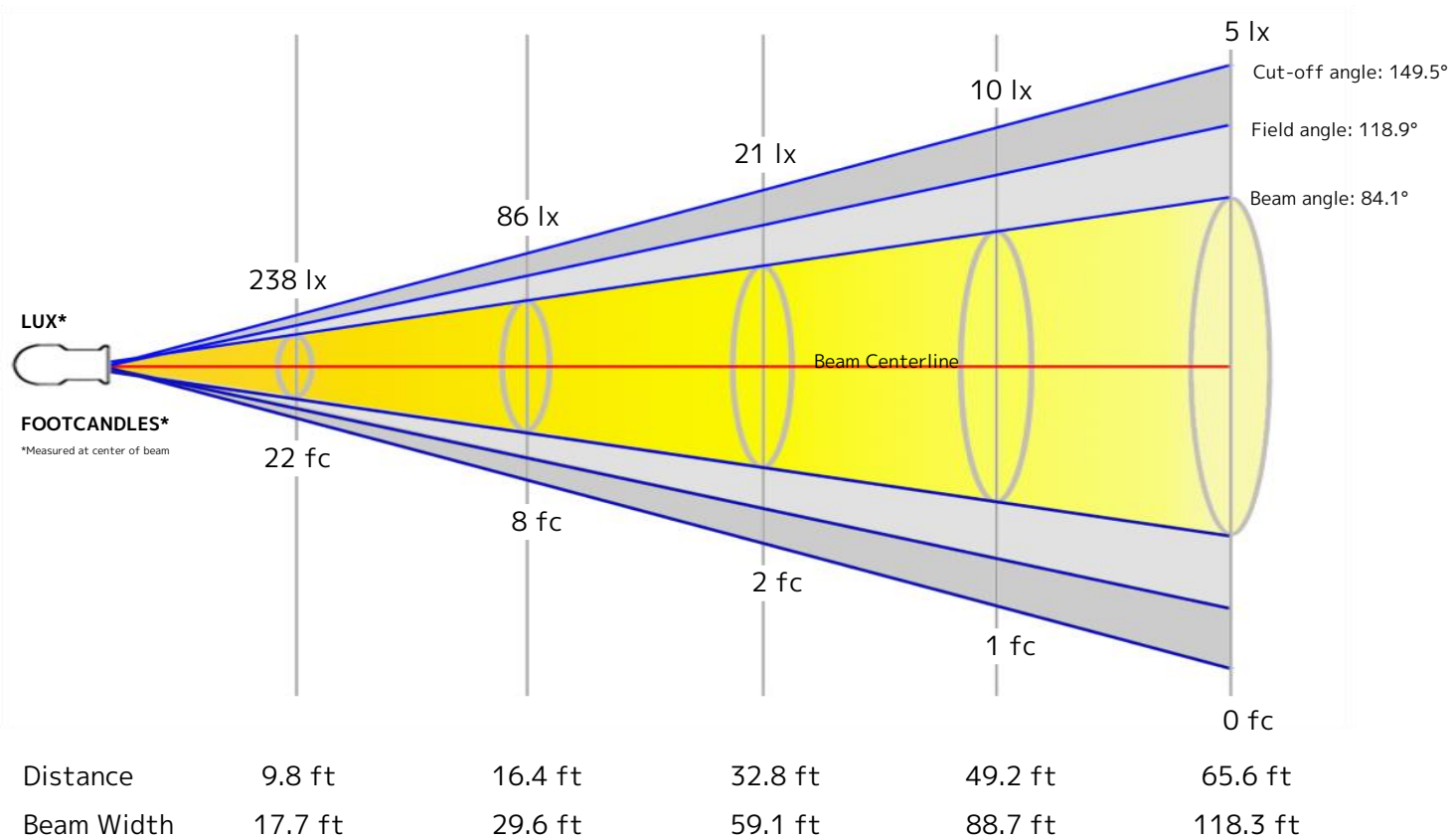
Color Temperature: 6904 K  
CRI: 67.1  
TLCI: 76  
TM30 R<sub>F</sub>: 78.0  
TM30 R<sub>g</sub>: 120.9

#### Power Details

Efficacy: 42 Lumen/Watt  
Power: 89.6 W  
Supply Voltage: 119 V  
Current: 0.758 A

### Beam Details

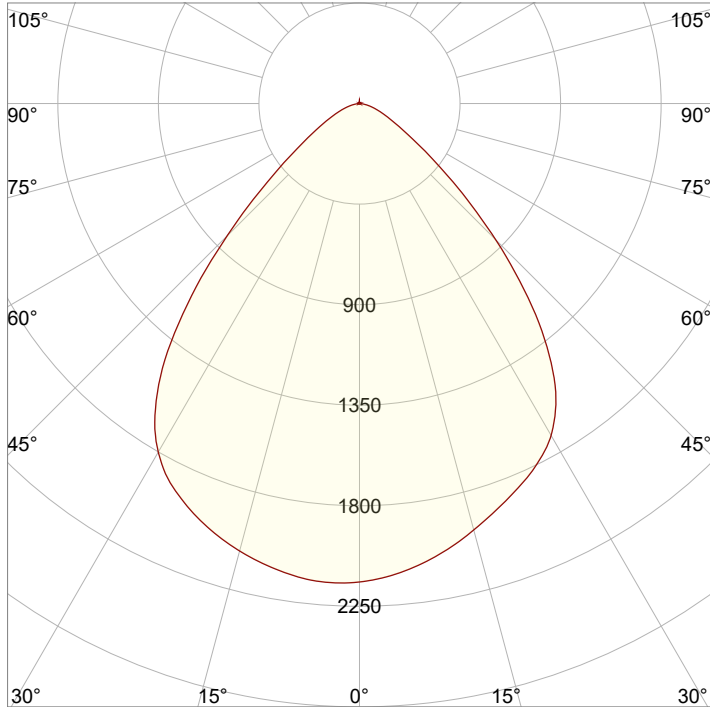
Distance	3 m	5 m	10 m	15 m	20 m
Beam Width	5.4 m	9 m	18 m	27 m	36.1 m



### Beam Intensities from 1-20m

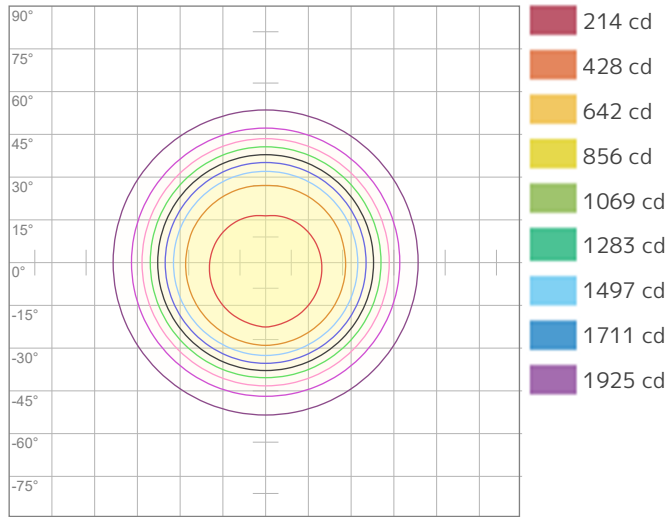
M	1	2	3	4	5	6	7	8	9	10	11	12	13	14	15	16	17	18	19	20
<b>LX</b>	2139	535	238	134	86	59	44	33	26	21	18	15	13	11	10	8	7	7	6	5
<b>FT</b>	3.3	6.6	9.8	13.1	16.4	19.7	23	26.2	29.5	32.8	36.1	39.4	42.7	45.9	49.2	52.5	55.8	59.1	62.3	65.6
<b>FC</b>	198.7	49.7	22.1	12.4	7.9	5.5	4.1	3.1	2.5	2	1.6	1.4	1.2	1	0.9	0.8	0.7	0.6	0.6	0.5

## Angular Distribution



<b>Beam Angle - 50%</b>
<b>84.1°</b>
<b>Field Angle - 10%</b>
<b>118.9°</b>
<b>Cutoff Angle - 2.5%</b>
<b>149.5°</b>

## ISO Diagrams

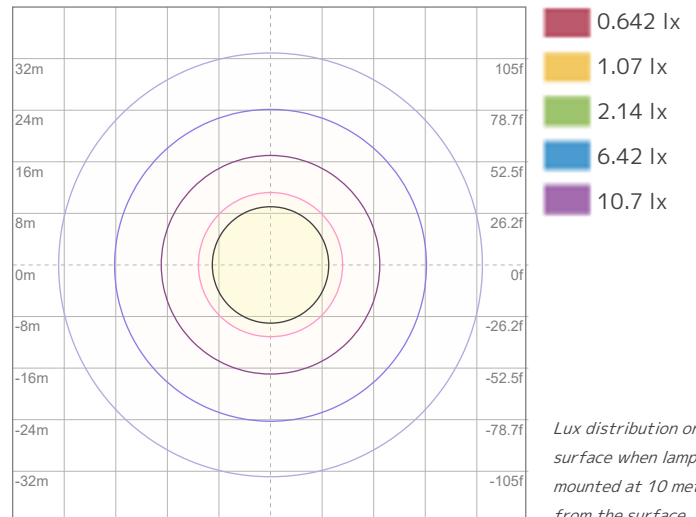


ISO Candela Diagram

Conditions:

Number of c-planes: 2

Candela at center: 2139 cd



ISO LUX Diagram

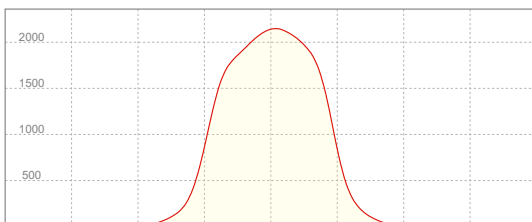
Conditions:

Number of c-planes: 2

LUX at center: 21.4 lx

*Lux distribution on a surface when lamp is mounted at 10 meters from the surface.*

## Linear Distribution



**Peak Candela**  
**2145 cd**

**Calculate Center Beam Intensities**

$$\text{lux} = 2145 / \text{distance(m)}^2$$

$$\text{fc} = 2145 / \text{distance(ft)}^2$$

## Key Measurements

### Output

Total Lumen Output: 3394 lm  
Peak Intensity: 1935 cd

### Beam

Beam Angle (50%): 84.1°  
Field Angle (10%): 118.8°  
Cutoff Angle (2.5%): 150.3°

### Color

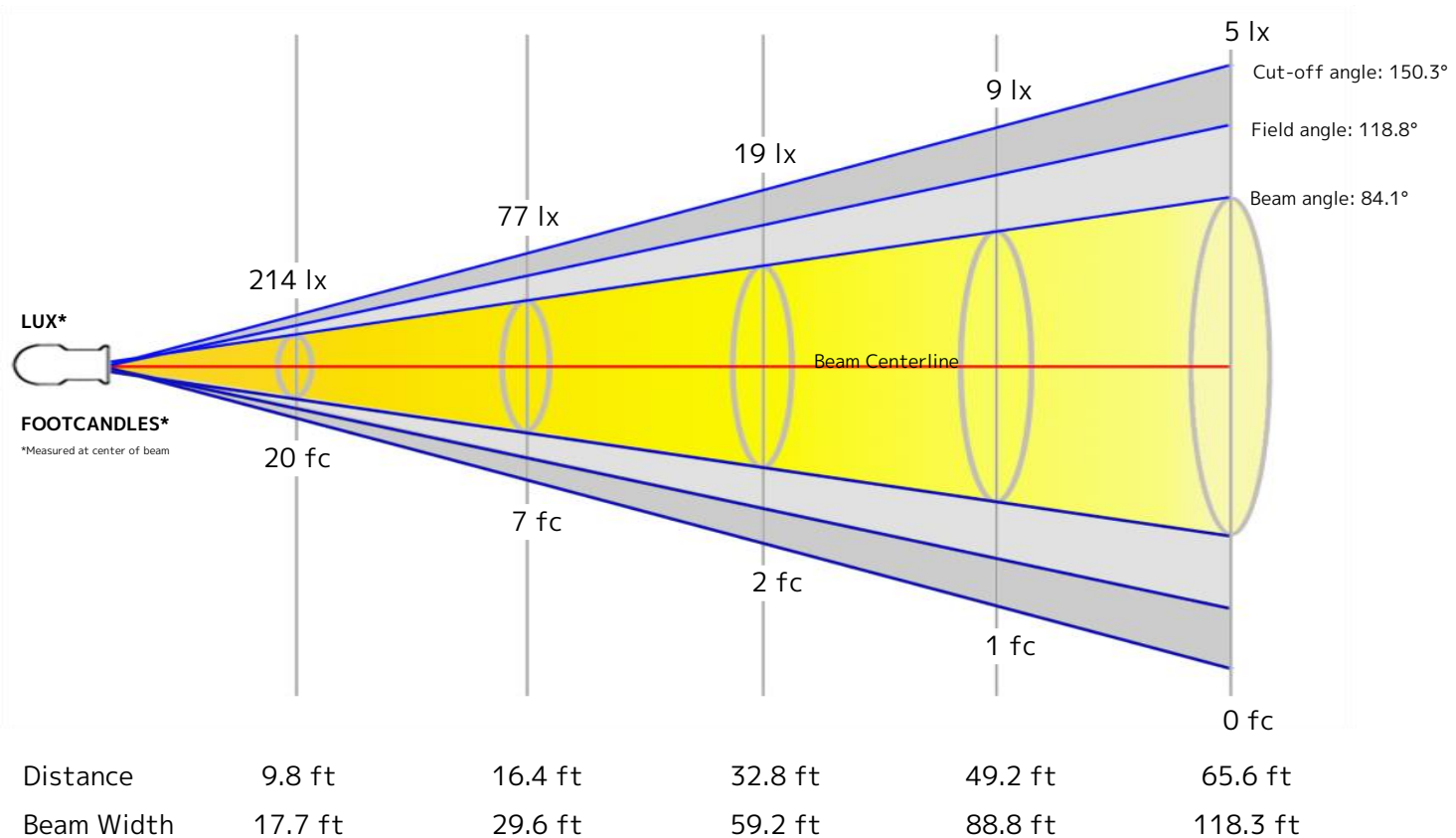
Color Temperature: 7733 K  
CRI: 67.5  
TLCI: 77  
TM30 R<sub>F</sub>: 77.3  
TM30 R<sub>g</sub>: 120.0

### Power Details

Efficacy: 36 Lumen/Watt  
Power: 95.1 W  
Supply Voltage: 118 V  
Current: 0.807 A

## Beam Details

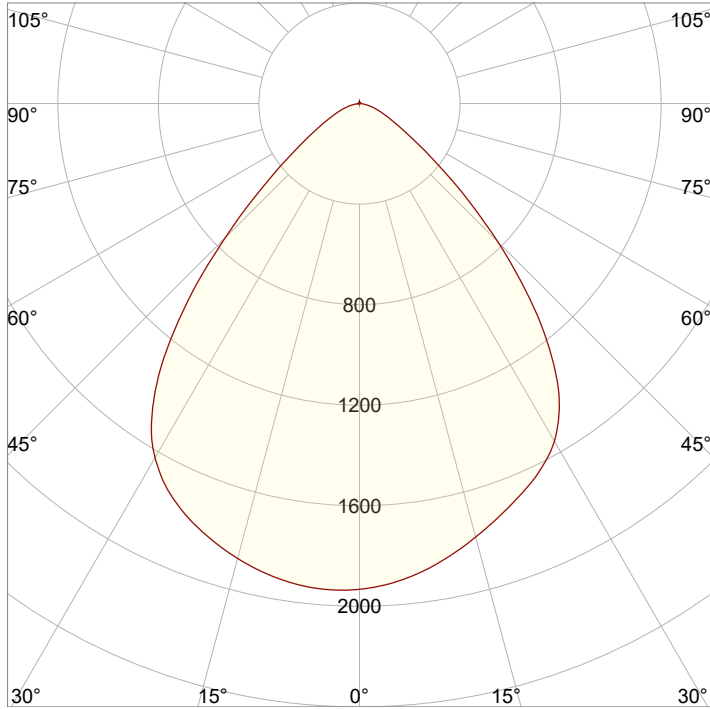
Distance	3 m	5 m	10 m	15 m	20 m
Beam Width	5.4 m	9 m	18 m	27.1 m	36.1 m



## Beam Intensities from 1-20m

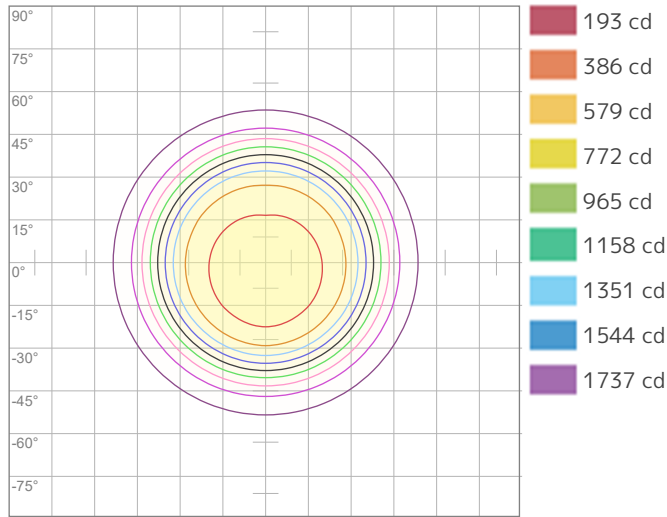
M	1	2	3	4	5	6	7	8	9	10	11	12	13	14	15	16	17	18	19	20
<b>LX</b>	1930	483	214	121	77	54	39	30	24	19	16	13	11	10	9	8	7	6	5	5
<b>FT</b>	3.3	6.6	9.8	13.1	16.4	19.7	23	26.2	29.5	32.8	36.1	39.4	42.7	45.9	49.2	52.5	55.8	59.1	62.3	65.6
<b>FC</b>	179.3	44.8	19.9	11.2	7.2	5	3.7	2.8	2.2	1.8	1.5	1.2	1.1	0.9	0.8	0.7	0.6	0.6	0.5	0.4

### Angular Distribution



<b>Beam Angle - 50%</b>
<b>84.1°</b>
<b>Field Angle - 10%</b>
<b>118.8°</b>
<b>Cutoff Angle - 2.5%</b>
<b>150.3°</b>

### ISO Diagrams

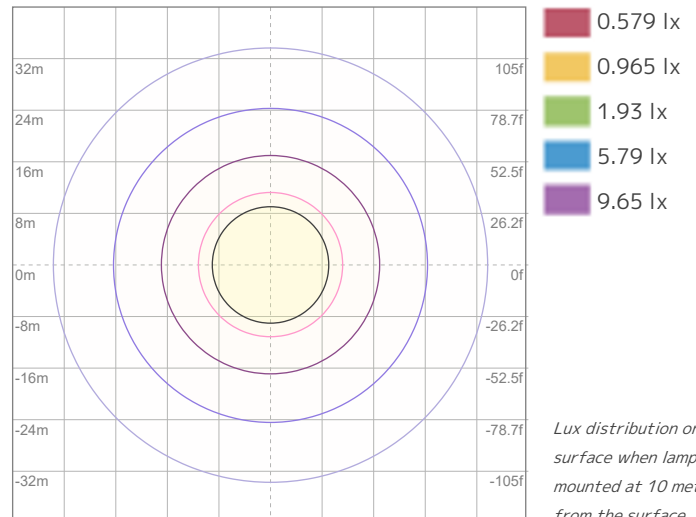


ISO Candela Diagram

Conditions:

Number of c-planes: 2

Candela at center: 1930 cd



ISO LUX Diagram

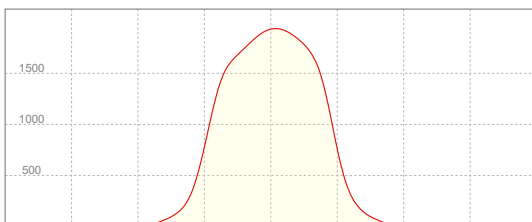
Conditions:

Number of c-planes: 2

LUX at center: 19.3 lx

*Lux distribution on a surface when lamp is mounted at 10 meters from the surface.*

### Linear Distribution



**Peak Candela**  
**1935 cd**

**Calculate Center Beam Intensities**

$$\text{lux} = 1935 / \text{distance(m)}^2$$

$$\text{fc} = 1935 / \text{distance(ft)}^2$$

### Key Measurements

#### Output

Total Lumen Output: 2161 lm  
Peak Intensity: 1245 cd

#### Beam

Beam Angle (50%): 83.7°  
Field Angle (10%): 118.1°  
Cutoff Angle (2.5%): 149.1°

#### Color

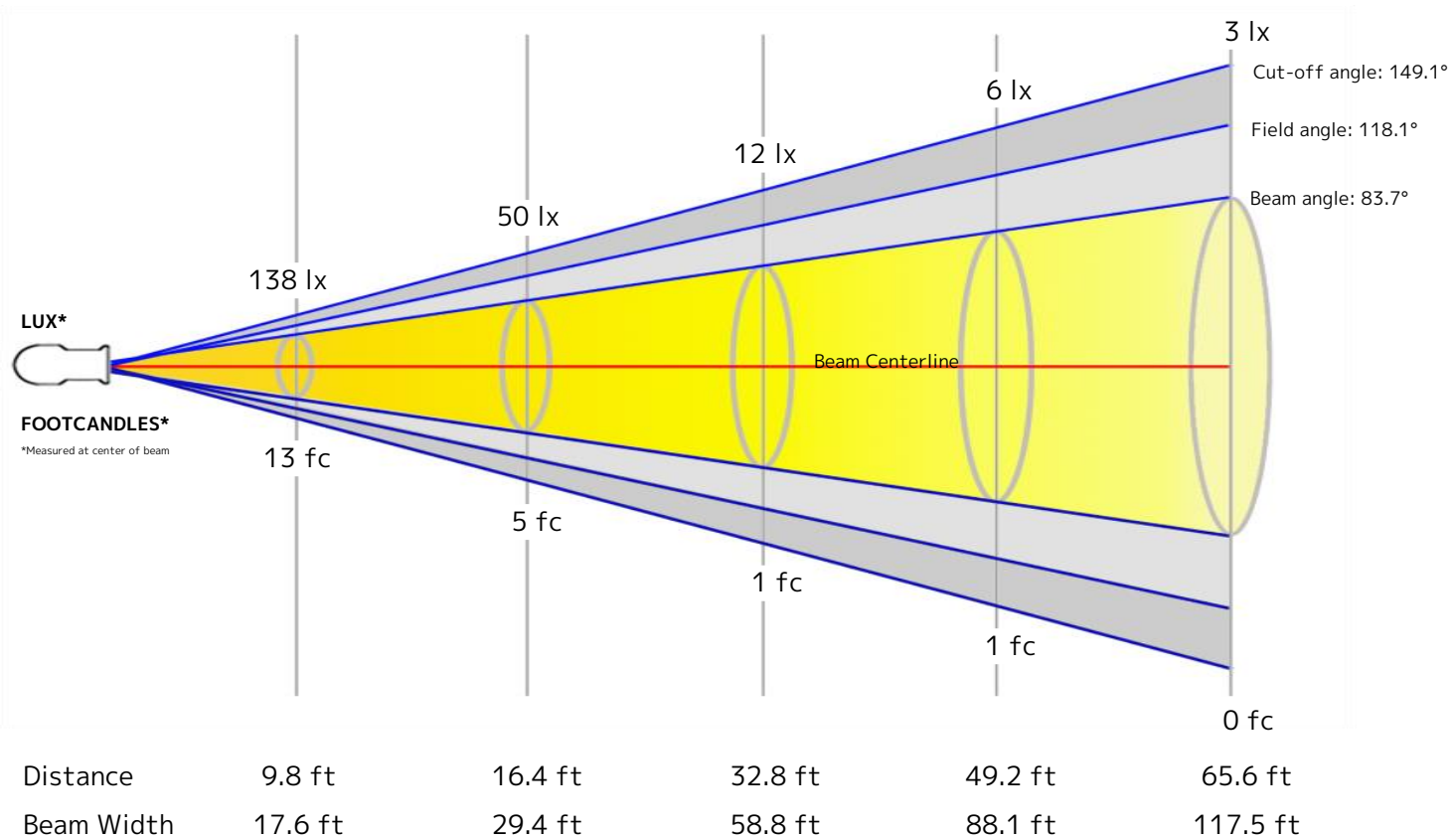
Color Temperature: 2402 K  
CRI: 84.7  
TLCI: 73  
TM30 R<sub>F</sub>: 87.8  
TM30 R<sub>g</sub>: 109.3

#### Power Details

Efficacy: 42 Lumen/Watt  
Power: 51.8 W  
Supply Voltage: 119 V  
Current: 0.451 A

### Beam Details

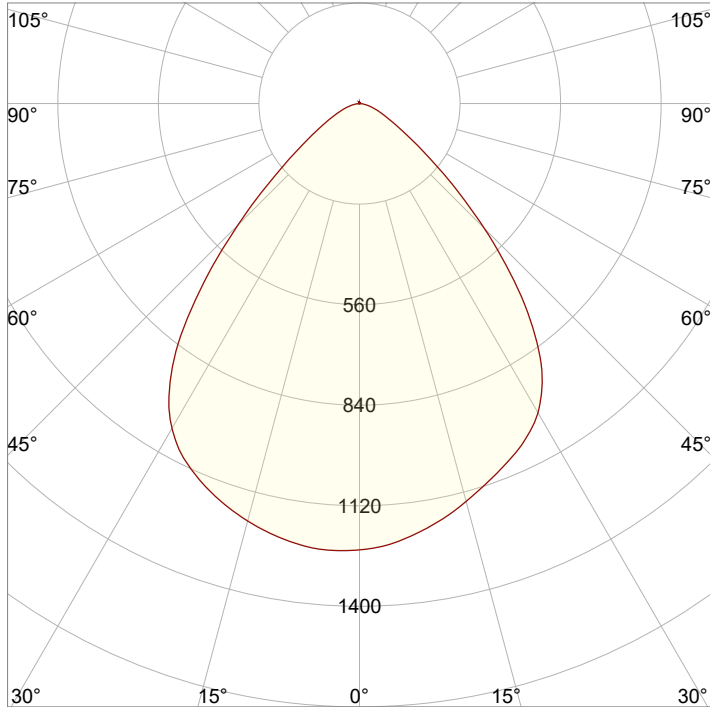
Distance	3 m	5 m	10 m	15 m	20 m
Beam Width	5.4 m	9 m	17.9	26.9 m	35.8 m



### Beam Intensities from 1-20m

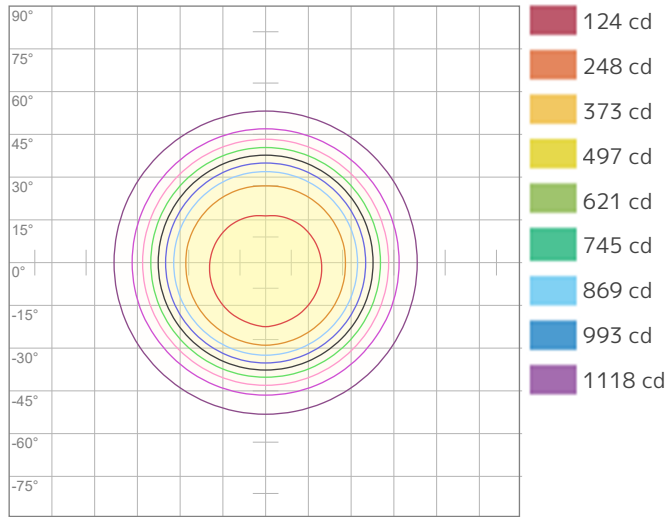
M	1	2	3	4	5	6	7	8	9	10	11	12	13	14	15	16	17	18	19	20
<b>LX</b>	1242	310	138	78	50	34	25	19	15	12	10	9	7	6	6	5	4	4	3	3
<b>FT</b>	3.3	6.6	9.8	13.1	16.4	19.7	23	26.2	29.5	32.8	36.1	39.4	42.7	45.9	49.2	52.5	55.8	59.1	62.3	65.6
<b>FC</b>	115.4	28.8	12.8	7.2	4.6	3.2	2.4	1.8	1.4	1.2	1	0.8	0.7	0.6	0.5	0.5	0.4	0.4	0.3	0.3

### Angular Distribution

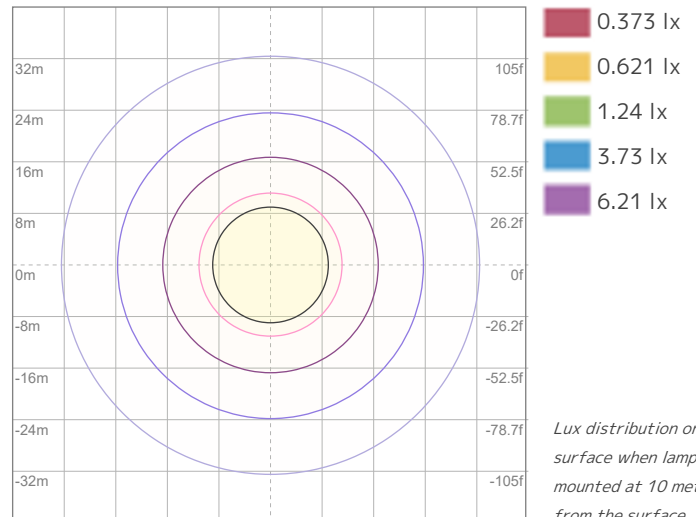


<b>Beam Angle - 50%</b>
<b>83.7°</b>
<b>Field Angle - 10%</b>
<b>118.1°</b>
<b>Cutoff Angle - 2.5%</b>
<b>149.1°</b>

### ISO Diagrams



ISO Candela Diagram



ISO LUX Diagram

*Lux distribution on a surface when lamp is mounted at 10 meters from the surface.*

Conditions:

Number of c-planes: 2

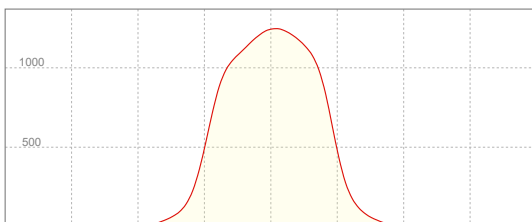
Candela at center: 1242 cd

Conditions:

Number of c-planes: 2

LUX at center: 12.4 lx

### Linear Distribution



**Peak Candela**  
**1245 cd**

**Calculate Center Beam Intensities**

$$\text{lux} = 1245 / \text{distance(m)}^2$$

$$\text{fc} = 1245 / \text{distance(ft)}^2$$

### Key Measurements

#### Output

Total Lumen Output: 2938 lm  
Peak Intensity: 1686 cd

#### Beam

Beam Angle (50%): 83.9°  
Field Angle (10%): 118.6°  
Cutoff Angle (2.5%): 149.9°

#### Color

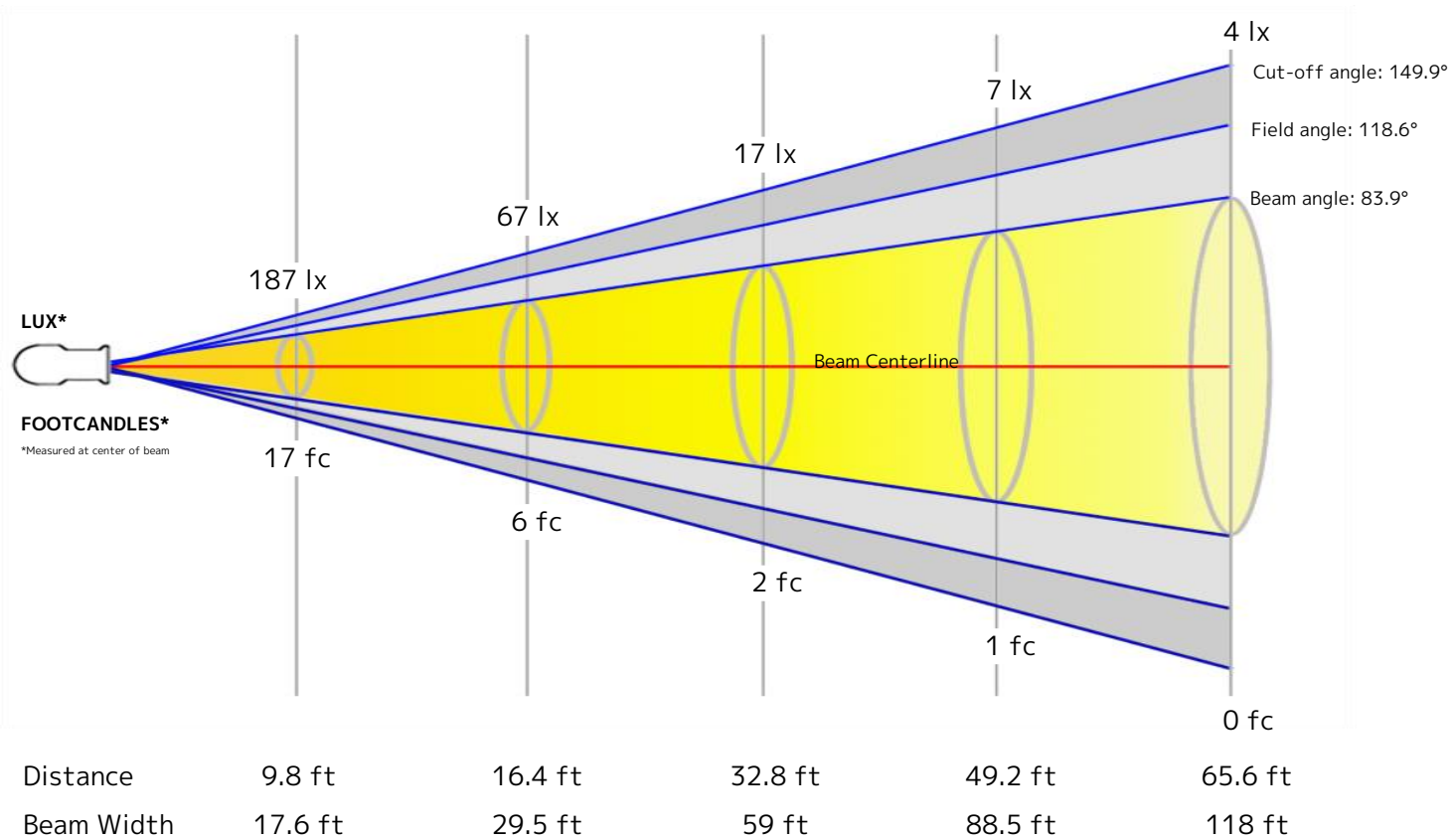
Color Temperature: 3153 K  
CRI: 89.6  
TLCI: 80  
TM30 R<sub>F</sub>: 91.0  
TM30 R<sub>g</sub>: 108.2

#### Power Details

Efficacy: 46 Lumen/Watt  
Power: 63.9 W  
Supply Voltage: 119 V  
Current: 0.546 A

### Beam Details

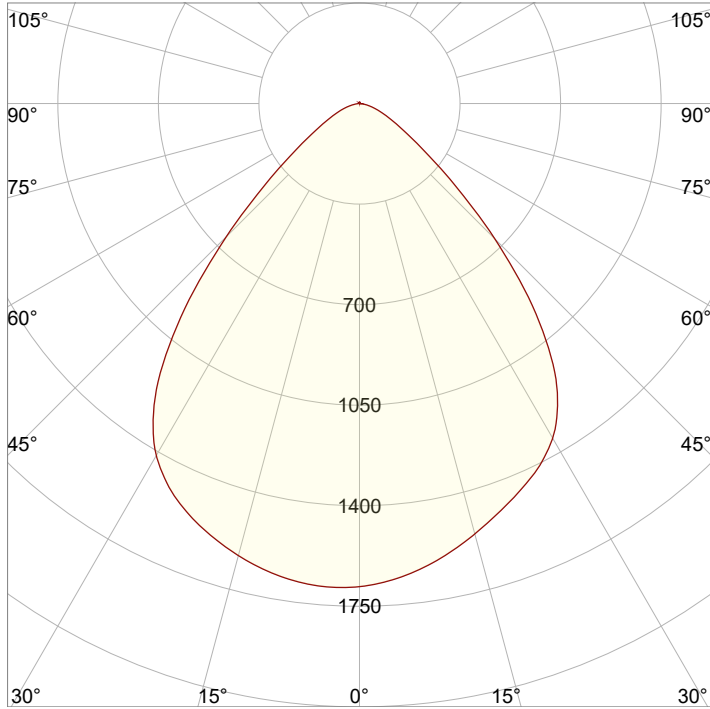
Distance	3 m	5 m	10 m	15 m	20 m
Beam Width	5.4 m	9 m	18 m	27 m	36 m



### Beam Intensities from 1-20m

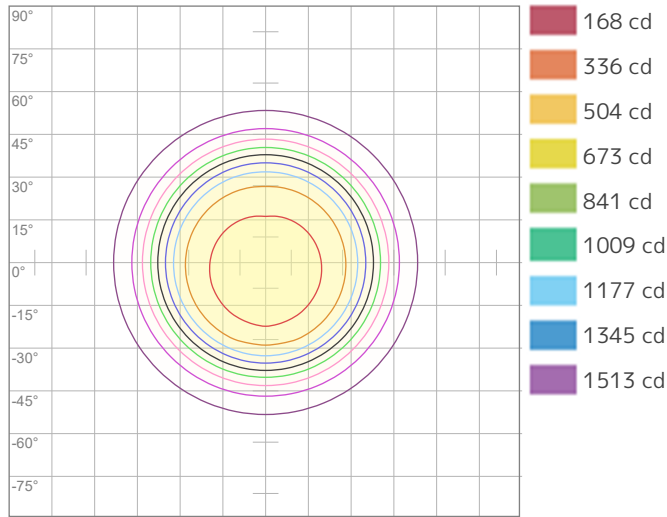
M	1	2	3	4	5	6	7	8	9	10	11	12	13	14	15	16	17	18	19	20
<b>LX</b>	1681	420	187	105	67	47	34	26	21	17	14	12	10	9	7	7	6	5	5	4
<b>FT</b>	3.3	6.6	9.8	13.1	16.4	19.7	23	26.2	29.5	32.8	36.1	39.4	42.7	45.9	49.2	52.5	55.8	59.1	62.3	65.6
<b>FC</b>	156.2	39.1	17.4	9.8	6.2	4.3	3.2	2.4	1.9	1.6	1.3	1.1	0.9	0.8	0.7	0.6	0.5	0.5	0.4	0.4

### Angular Distribution

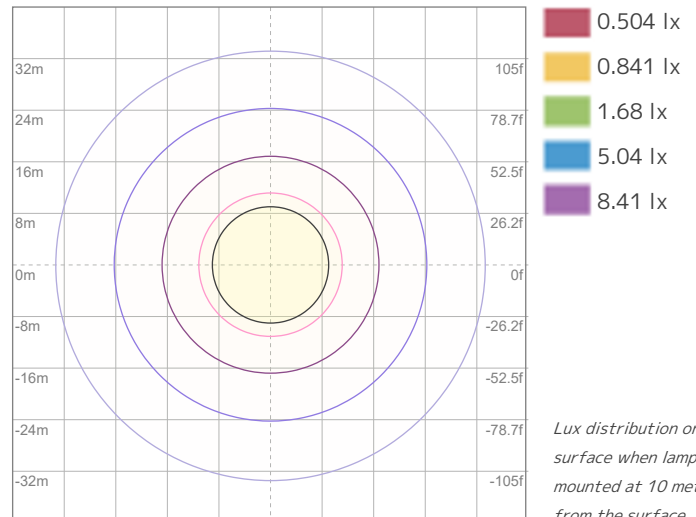


<b>Beam Angle - 50%</b>
<b>83.9°</b>
<b>Field Angle - 10%</b>
<b>118.6°</b>
<b>Cutoff Angle - 2.5%</b>
<b>149.9°</b>

### ISO Diagrams



ISO Candela Diagram



ISO LUX Diagram

*Lux distribution on a surface when lamp is mounted at 10 meters from the surface.*

Conditions:

Number of c-planes: 2

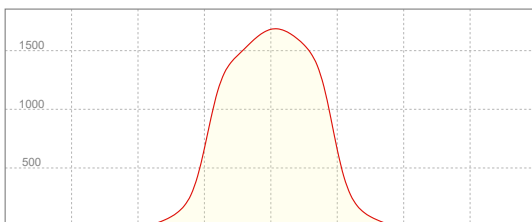
Candela at center: 1681 cd

Conditions:

Number of c-planes: 2

LUX at center: 16.8 lx

### Linear Distribution



**Peak Candela**  
**1686 cd**

**Calculate Center Beam Intensities**

$$\text{lux} = 1686 / \text{distance(m)}^2$$

$$\text{fc} = 1686 / \text{distance(ft)}^2$$



### Key Measurements

#### Output

Total Lumen Output: 3116 lm  
Peak Intensity: 1776 cd

#### Beam

Beam Angle (50%): 84.1°  
Field Angle (10%): 118.9°  
Cutoff Angle (2.5%): 150.6°

#### Color

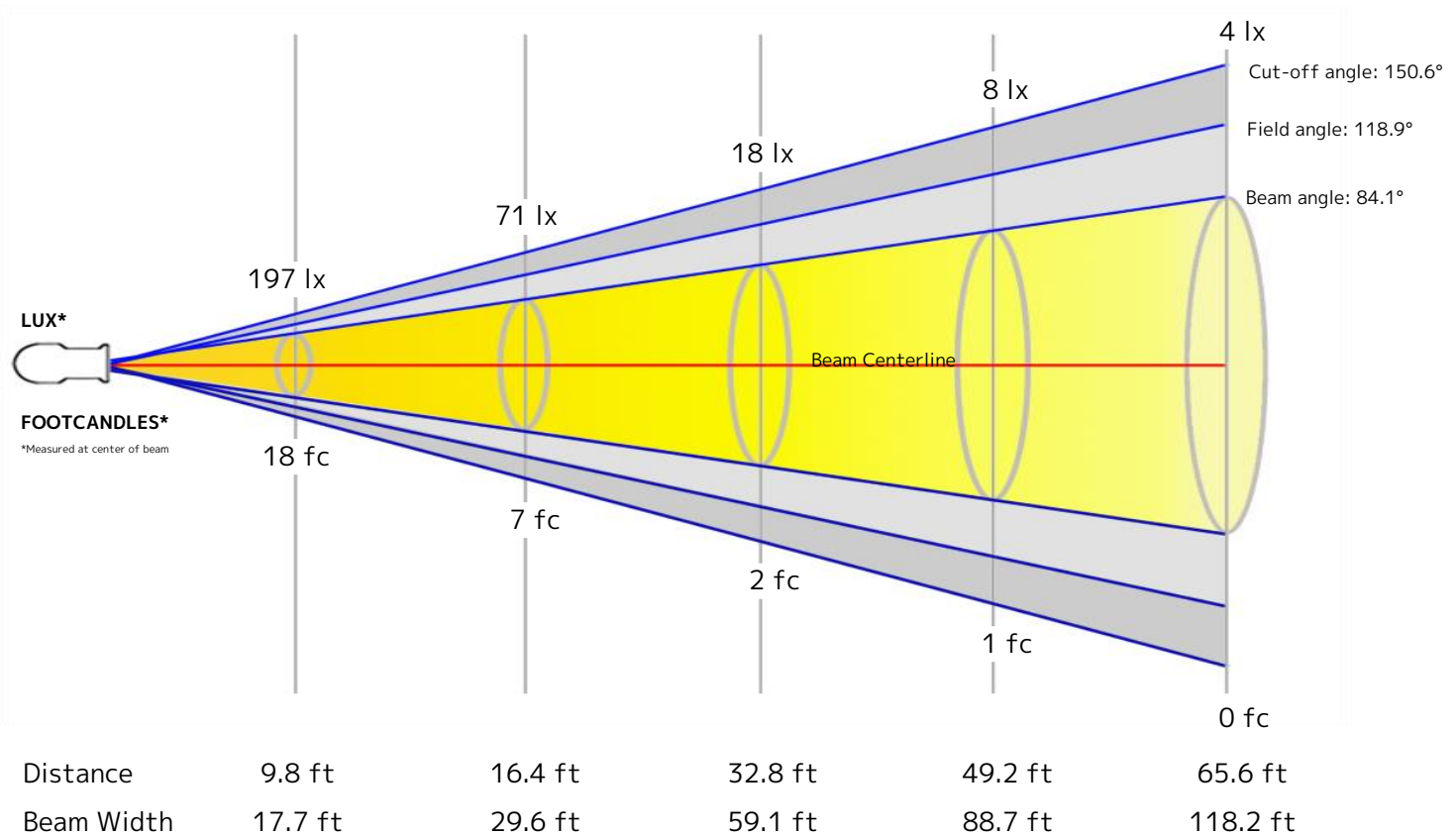
Color Temperature: 4455 K  
CRI: 90.9  
TLCI: 82  
TM30 R<sub>F</sub>: 90.5  
TM30 R<sub>g</sub>: 107.6

#### Power Details

Efficacy: 47 Lumen/Watt  
Power: 66.9 W  
Supply Voltage: 118 V  
Current: 0.575 A

### Beam Details

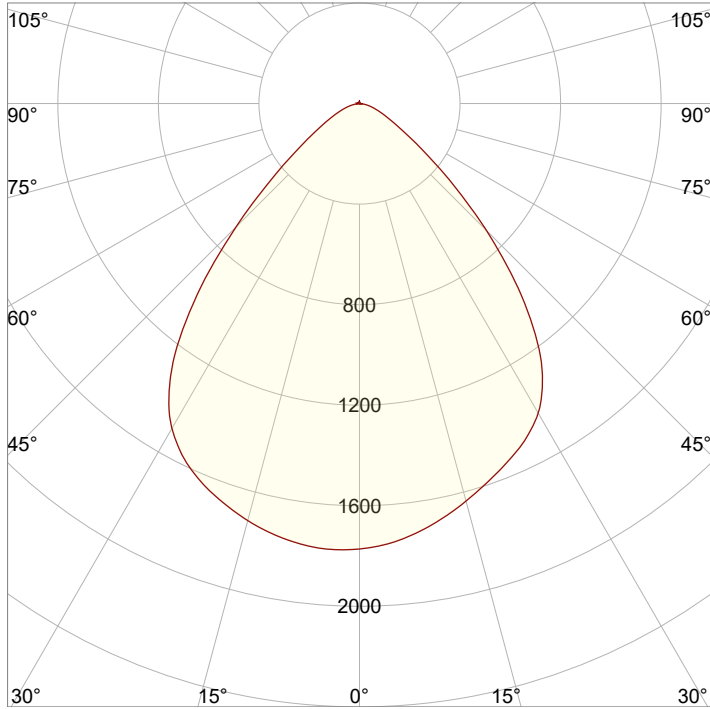
Distance	3 m	5 m	10 m	15 m	20 m
Beam Width	5.4 m	9 m	18 m	27 m	36.1 m



### Beam Intensities from 1-20m

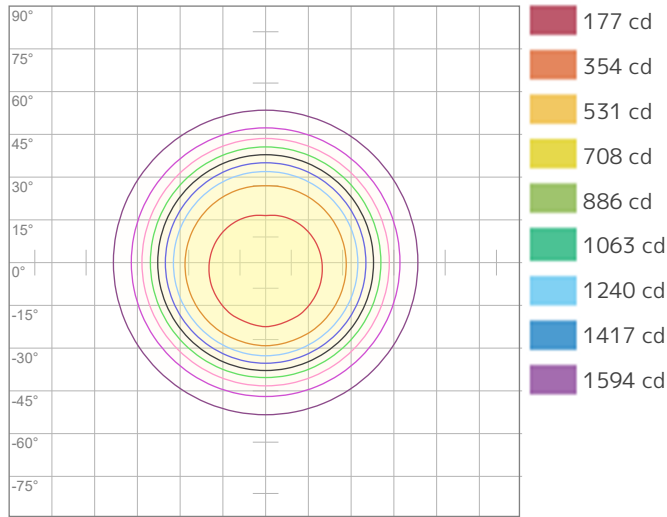
M	1	2	3	4	5	6	7	8	9	10	11	12	13	14	15	16	17	18	19	20
<b>LX</b>	1771	443	197	111	71	49	36	28	22	18	15	12	10	9	8	7	6	5	5	4
<b>FT</b>	3.3	6.6	9.8	13.1	16.4	19.7	23	26.2	29.5	32.8	36.1	39.4	42.7	45.9	49.2	52.5	55.8	59.1	62.3	65.6
<b>FC</b>	164.5	41.1	18.3	10.3	6.6	4.6	3.4	2.6	2	1.6	1.4	1.1	1	0.8	0.7	0.6	0.6	0.5	0.5	0.4

### Angular Distribution



<b>Beam Angle - 50%</b>
<b>84.1°</b>
<b>Field Angle - 10%</b>
<b>118.9°</b>
<b>Cutoff Angle - 2.5%</b>
<b>150.6°</b>

### ISO Diagrams

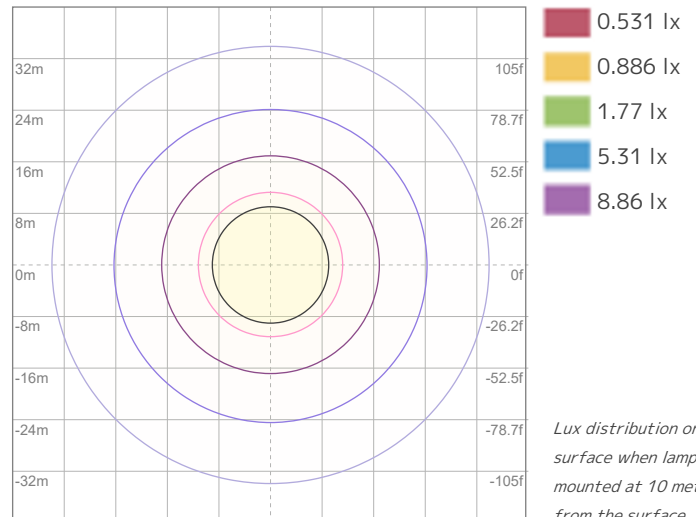


ISO Candela Diagram

Conditions:

Number of c-planes: 2

Candela at center: 1771 cd



ISO LUX Diagram

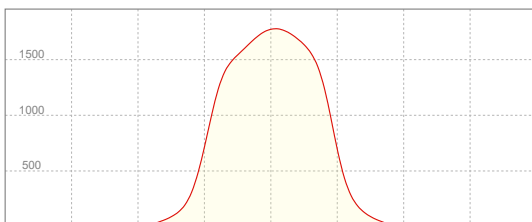
Conditions:

Number of c-planes: 2

LUX at center: 17.7 lx

*Lux distribution on a surface when lamp is mounted at 10 meters from the surface.*

### Linear Distribution



**Peak Candela**  
**1776 cd**

**Calculate Center Beam Intensities**

$$\text{lux} = 1776 / \text{distance(m)}^2$$

$$\text{fc} = 1776 / \text{distance(ft)}^2$$

### Key Measurements

#### Output

Total Lumen Output: 3440 lm  
Peak Intensity: 1939 cd

#### Beam

Beam Angle (50%): 84.6°  
Field Angle (10%): 119.8°  
Cutoff Angle (2.5%): 151°

#### Color

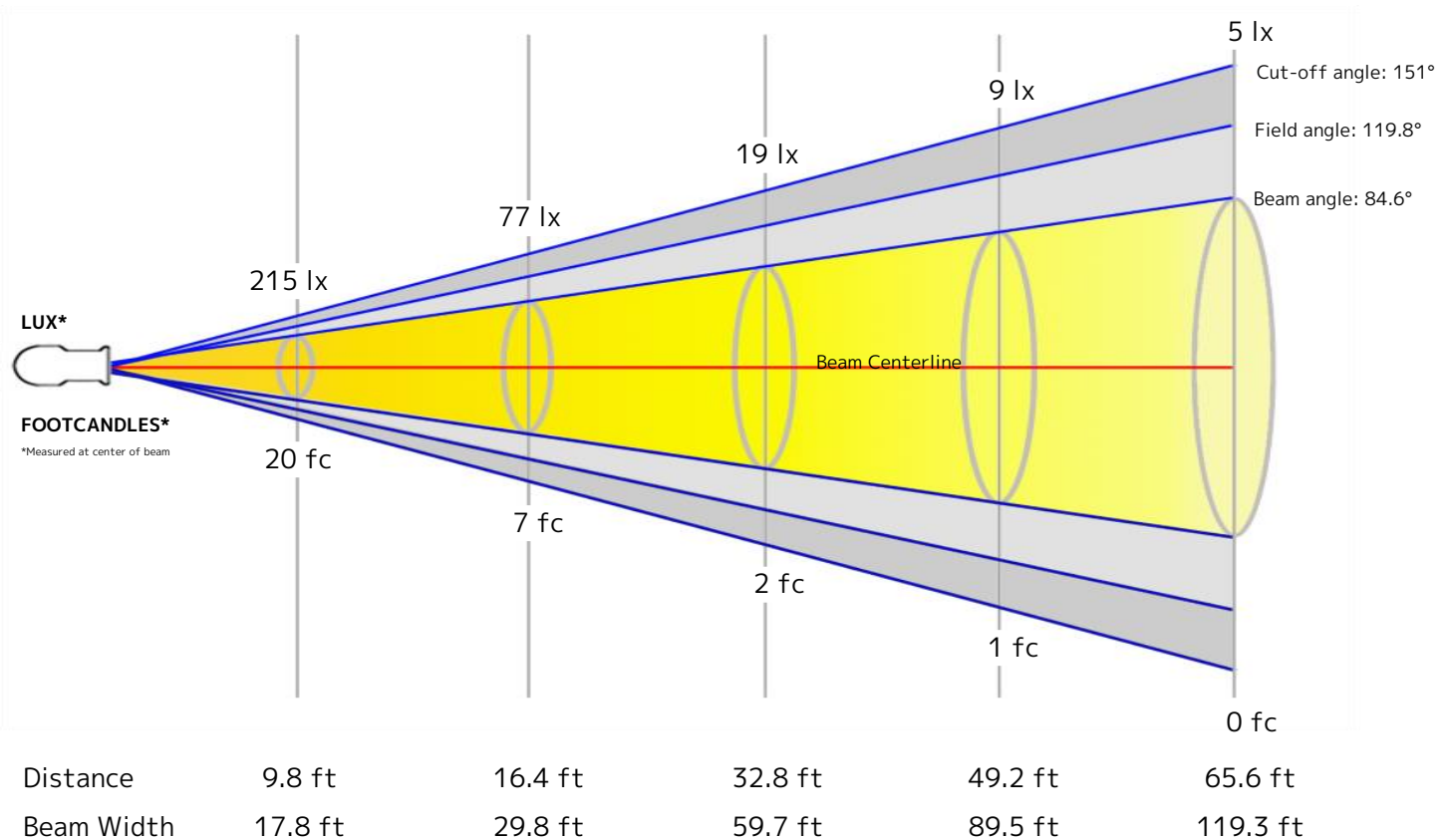
Color Temperature: 6525 K  
CRI: 88.8  
TLCI: 81  
TM30 R<sub>F</sub>: 88.3  
TM30 R<sub>g</sub>: 106.9

#### Power Details

Efficacy: 46 Lumen/Watt  
Power: 74.0 W  
Supply Voltage: 120 V  
Current: 0.624 A

### Beam Details

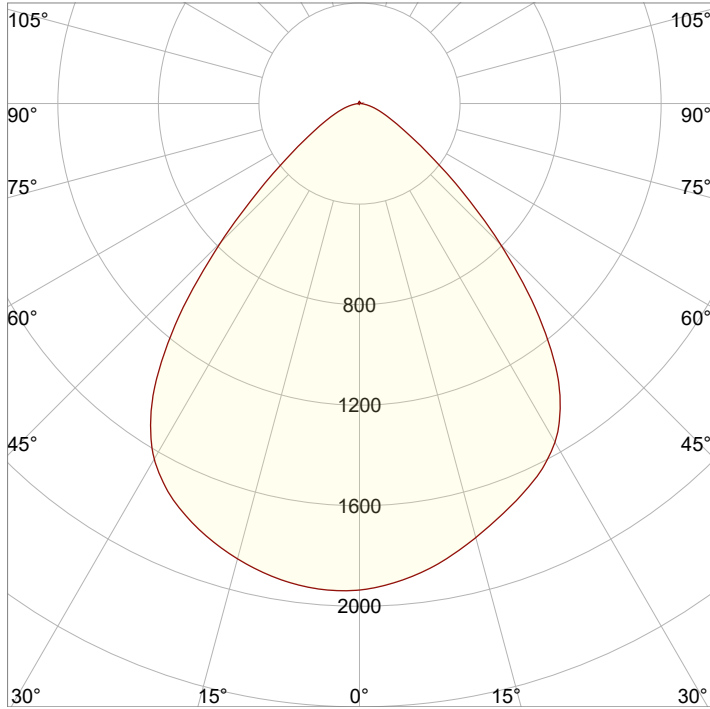
Distance	3 m	5 m	10 m	15 m	20 m
Beam Width	5.5 m	9.1 m	18.2	27.3 m	36.4 m



### Beam Intensities from 1-20m

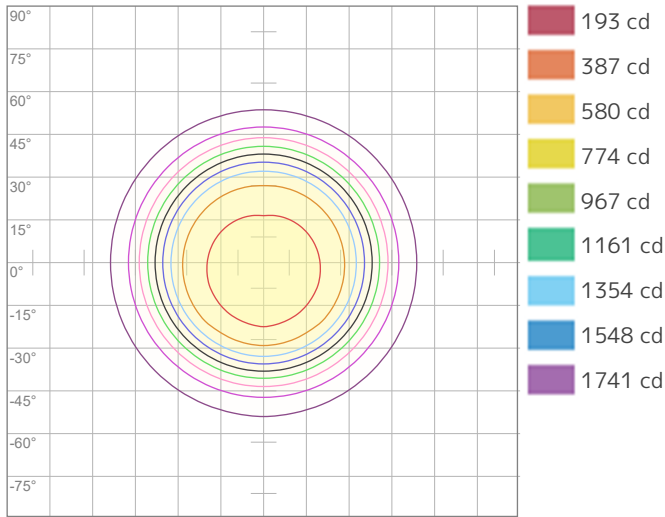
M	1	2	3	4	5	6	7	8	9	10	11	12	13	14	15	16	17	18	19	20
<b>LX</b>	1935	484	215	121	77	54	39	30	24	19	16	13	11	10	9	8	7	6	5	5
<b>FT</b>	3.3	6.6	9.8	13.1	16.4	19.7	23	26.2	29.5	32.8	36.1	39.4	42.7	45.9	49.2	52.5	55.8	59.1	62.3	65.6
<b>FC</b>	179.7	44.9	20	11.2	7.2	5	3.7	2.8	2.2	1.8	1.5	1.2	1.1	0.9	0.8	0.7	0.6	0.6	0.5	0.4

### Angular Distribution



<b>Beam Angle - 50%</b>
<b>84.6°</b>
<b>Field Angle - 10%</b>
<b>119.8°</b>
<b>Cutoff Angle - 2.5%</b>
<b>151°</b>

### ISO Diagrams

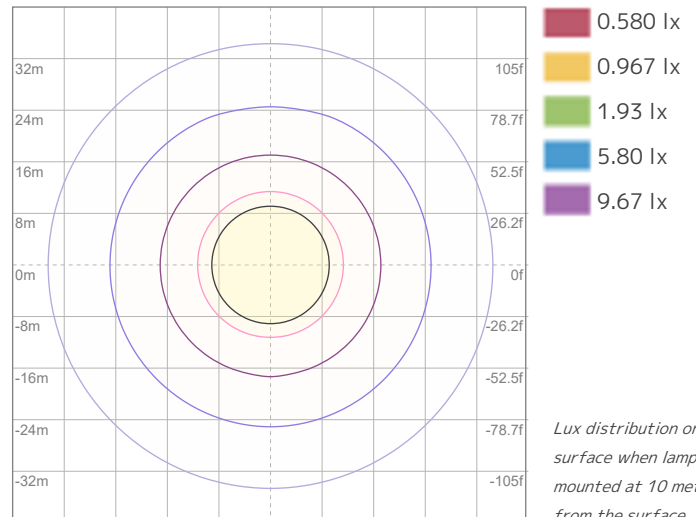


ISO Candela Diagram

Conditions:

Number of c-planes: 2

Candela at center: 1935 cd



ISO LUX Diagram

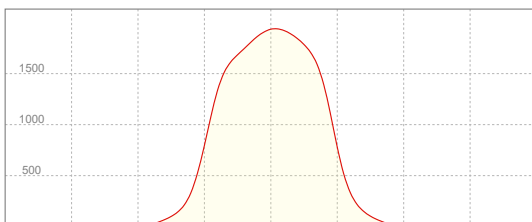
Conditions:

Number of c-planes: 2

LUX at center: 19.3 lx

*Lux distribution on a surface when lamp is mounted at 10 meters from the surface.*

### Linear Distribution



**Peak Candela**  
**1939 cd**

**Calculate Center Beam Intensities**

$$\text{lux} = 1939 / \text{distance(m)}^2$$

$$\text{fc} = 1939 / \text{distance(ft)}^2$$

### Key Measurements

#### Output

Total Lumen Output: 3155 lm  
Peak Intensity: 1783 cd

#### Beam

Beam Angle (50%): 84.5°  
Field Angle (10%): 119.7°  
Cutoff Angle (2.5%): 150.9°

#### Color

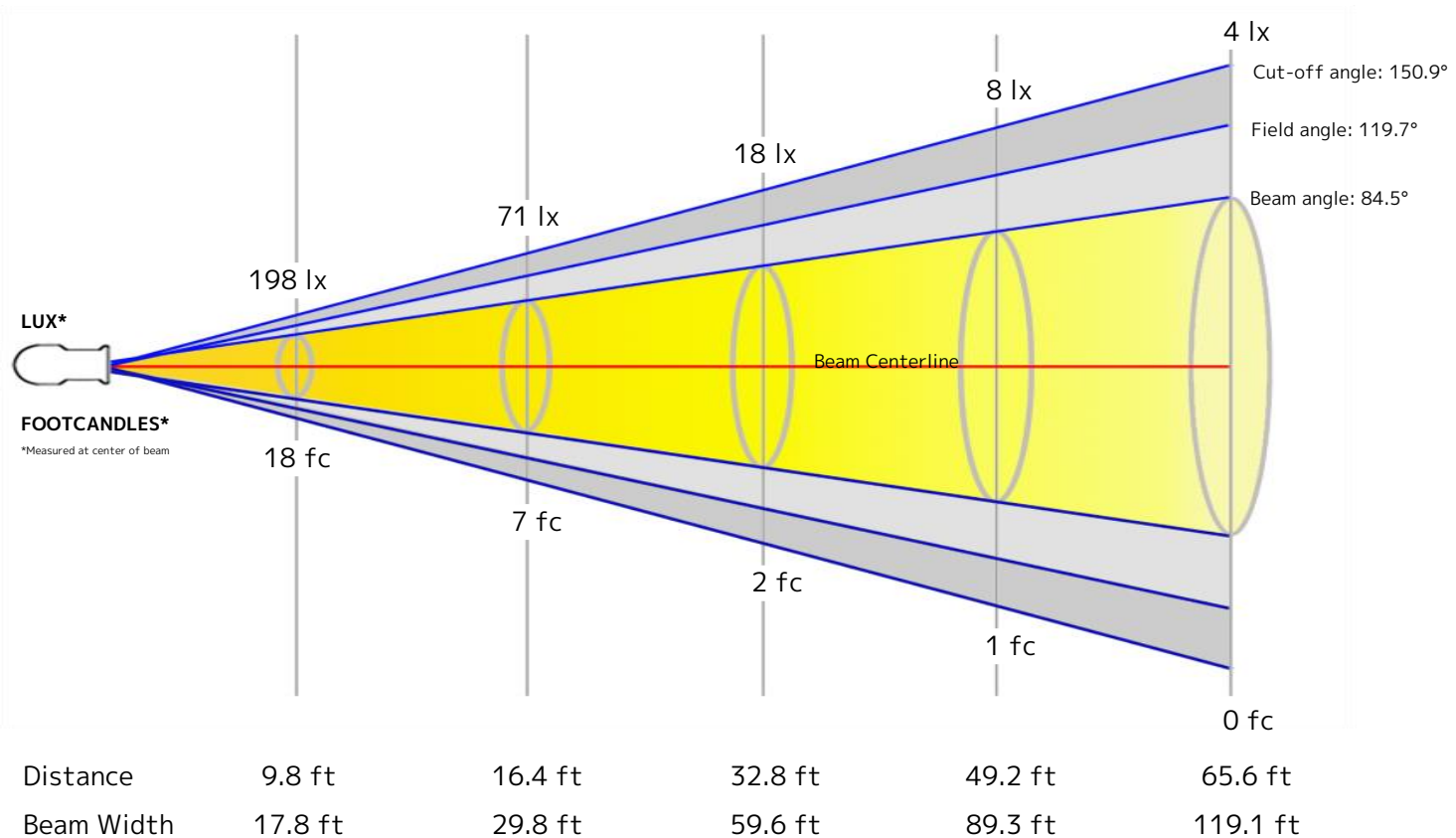
Color Temperature: 8580 K  
CRI: 87.8  
TLCI: 84  
TM30 R<sub>F</sub>: 87.0  
TM30 R<sub>g</sub>: 104.9

#### Power Details

Efficacy: 45 Lumen/Watt  
Power: 70.6 W  
Supply Voltage: 120 V  
Current: 0.594 A

### Beam Details

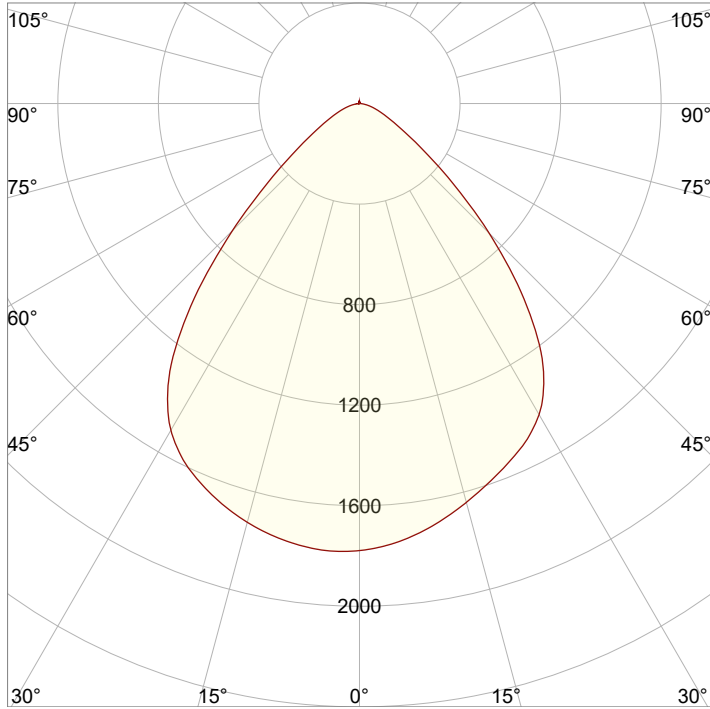
Distance	3 m	5 m	10 m	15 m	20 m
Beam Width	5.4 m	9.1 m	18.2	27.2 m	36.3 m



### Beam Intensities from 1-20m

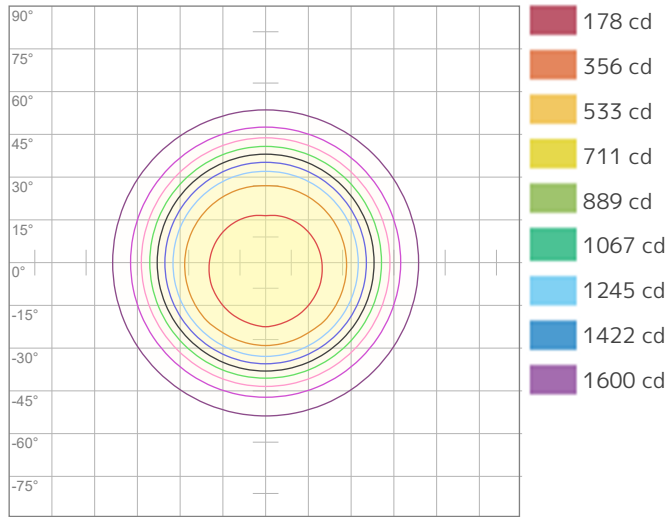
M	1	2	3	4	5	6	7	8	9	10	11	12	13	14	15	16	17	18	19	20
<b>LX</b>	1778	444	198	111	71	49	36	28	22	18	15	12	11	9	8	7	6	5	5	4
<b>FT</b>	3.3	6.6	9.8	13.1	16.4	19.7	23	26.2	29.5	32.8	36.1	39.4	42.7	45.9	49.2	52.5	55.8	59.1	62.3	65.6
<b>FC</b>	165.2	41.3	18.4	10.3	6.6	4.6	3.4	2.6	2	1.7	1.4	1.1	1	0.8	0.7	0.6	0.6	0.5	0.5	0.4

### Angular Distribution

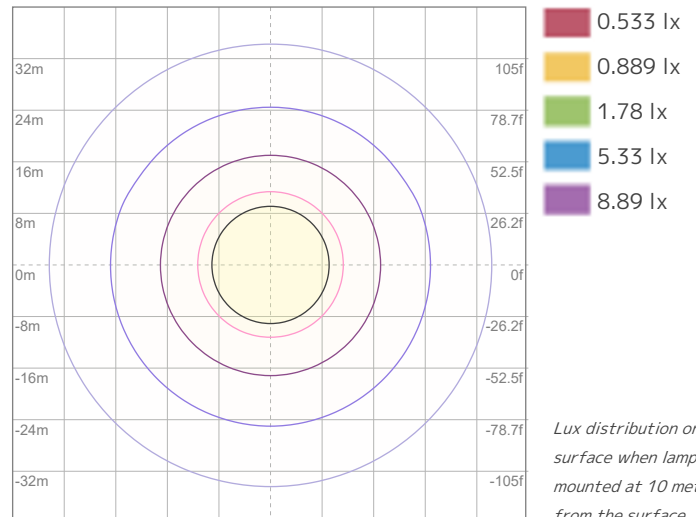


<b>Beam Angle - 50%</b>
<b>84.5°</b>
<b>Field Angle - 10%</b>
<b>119.7°</b>
<b>Cutoff Angle - 2.5%</b>
<b>150.9°</b>

### ISO Diagrams



ISO Candela Diagram



ISO LUX Diagram

*Lux distribution on a surface when lamp is mounted at 10 meters from the surface.*

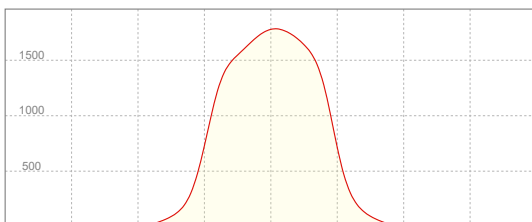
Conditions:

Number of c-planes: 2  
Candela at center: 1778 cd

Conditions:

Number of c-planes: 2  
LUX at center: 17.8 lx

### Linear Distribution



**Peak Candela**  
**1783 cd**

**Calculate Center Beam Intensities**

$$\text{lux} = 1783 / \text{distance(m)}^2$$

$$\text{fc} = 1783 / \text{distance(ft)}^2$$

## Key Measurements

### Output

Total Lumen Output: 4295 lm  
Peak Intensity: 13801 cd

### Beam

Beam Angle (50%): 29.2°x 39.9°  
Field Angle (10%): 50°x 65.1°  
Cutoff Angle (2.5%): 67.9°x 82.1°

### Color

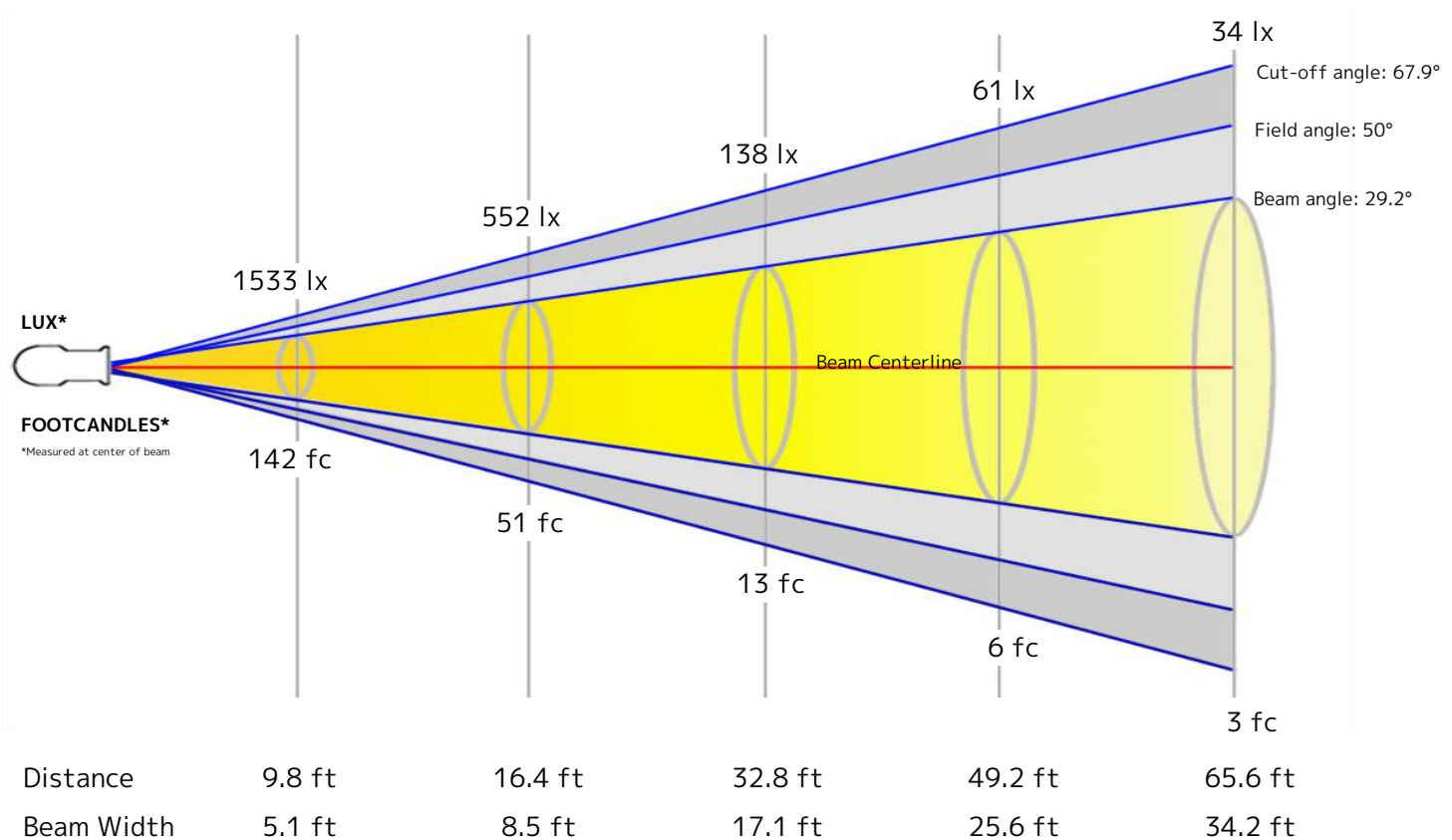
Color Temperature: 7080 K  
CRI: 67.2  
TLCI: 76  
TM30 R<sub>F</sub>: 77.9  
TM30 R<sub>g</sub>: 120.5

### Power Details

Efficacy: 48 Lumen/Watt  
Power: 88.8 W  
Supply Voltage: 120 V  
Current: 0.748 A

## Beam Details

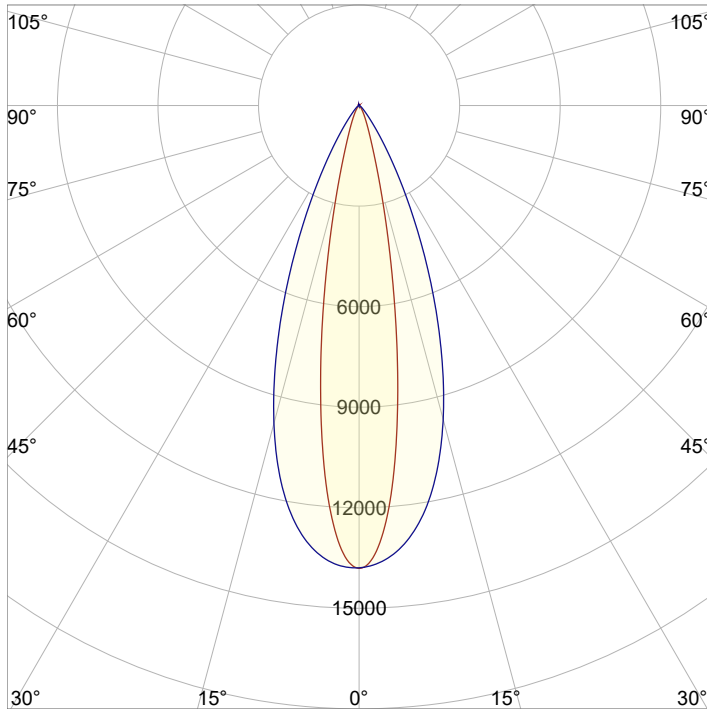
Distance	3 m	5 m	10 m	15 m	20 m
Beam Width	1.6 m	2.6 m	5.2 m	7.8 m	10.4 m



## Beam Intensities from 1-20m

M	1	2	3	4	5	6	7	8	9	10	11	12	13	14	15	16	17	18	19	20
<b>LX</b>	13793	3448	1533	862	552	383	281	216	170	138	114	96	82	70	61	54	48	43	38	34
<b>FT</b>	3.3	6.6	9.8	13.1	16.4	19.7	23	26.2	29.5	32.8	36.1	39.4	42.7	45.9	49.2	52.5	55.8	59.1	62.3	65.6
<b>FC</b>	1281.4	320.3	142.4	80.1	51.3	35.6	26.2	20	15.8	12.8	10.6	8.9	7.6	6.5	5.7	5	4.4	4	3.5	3.2

**Angular Distribution**

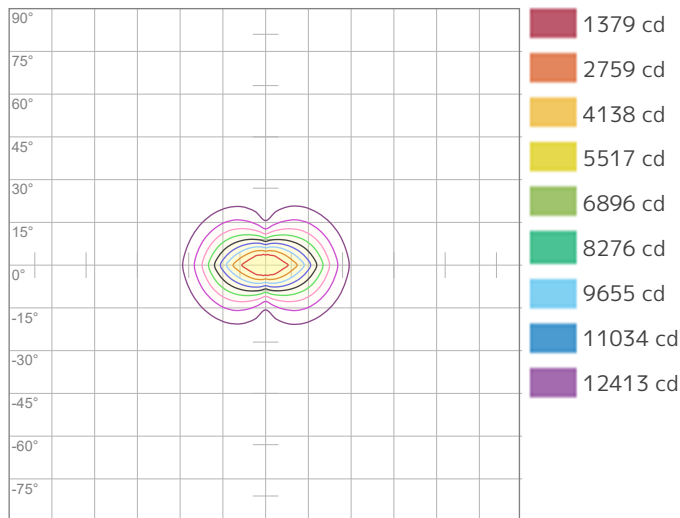


**Plane A**

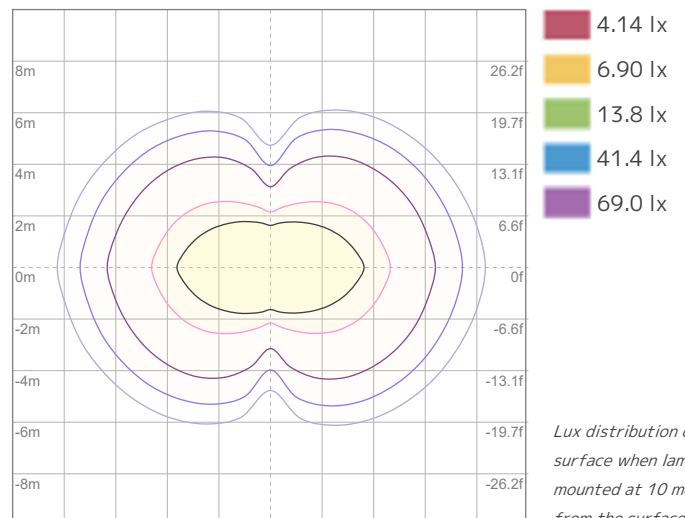
**Plane B**

Beam Angle - 50%	Beam Angle - 50%
29.2°	39.9°
Field Angle - 10%	Field Angle - 10%
50°	65.1°
Cutoff Angle - 2.5%	Cutoff Angle - 2.5%
67.9°	82.1°

**ISO Diagrams**



**ISO Candela Diagram**



**ISO LUX Diagram**

*Lux distribution on a surface when lamp is mounted at 10 meters from the surface.*

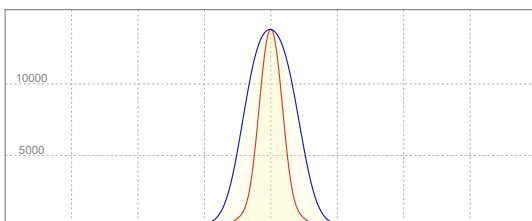
Conditions:

Number of c-planes: 4  
Candela at center: 13793 cd

Conditions:

Number of c-planes: 4  
LUX at center: 138 lx

**Linear Distribution**



**Peak Candela**  
**13801 cd**

**Calculate Center Beam Intensities**

$$\text{lux} = 13801 / \text{distance(m)}^2$$

$$\text{fc} = 13801 / \text{distance(ft)}^2$$



### Key Measurements

#### Output

Total Lumen Output: 5298 lm  
Peak Intensity: 9323 cd

#### Beam

Beam Angle (50%): 39.2°x 20.4°  
Field Angle (10%): 66.8°x 40.8°  
Cutoff Angle (2.5%): 87.4°x 61.8°

#### Color

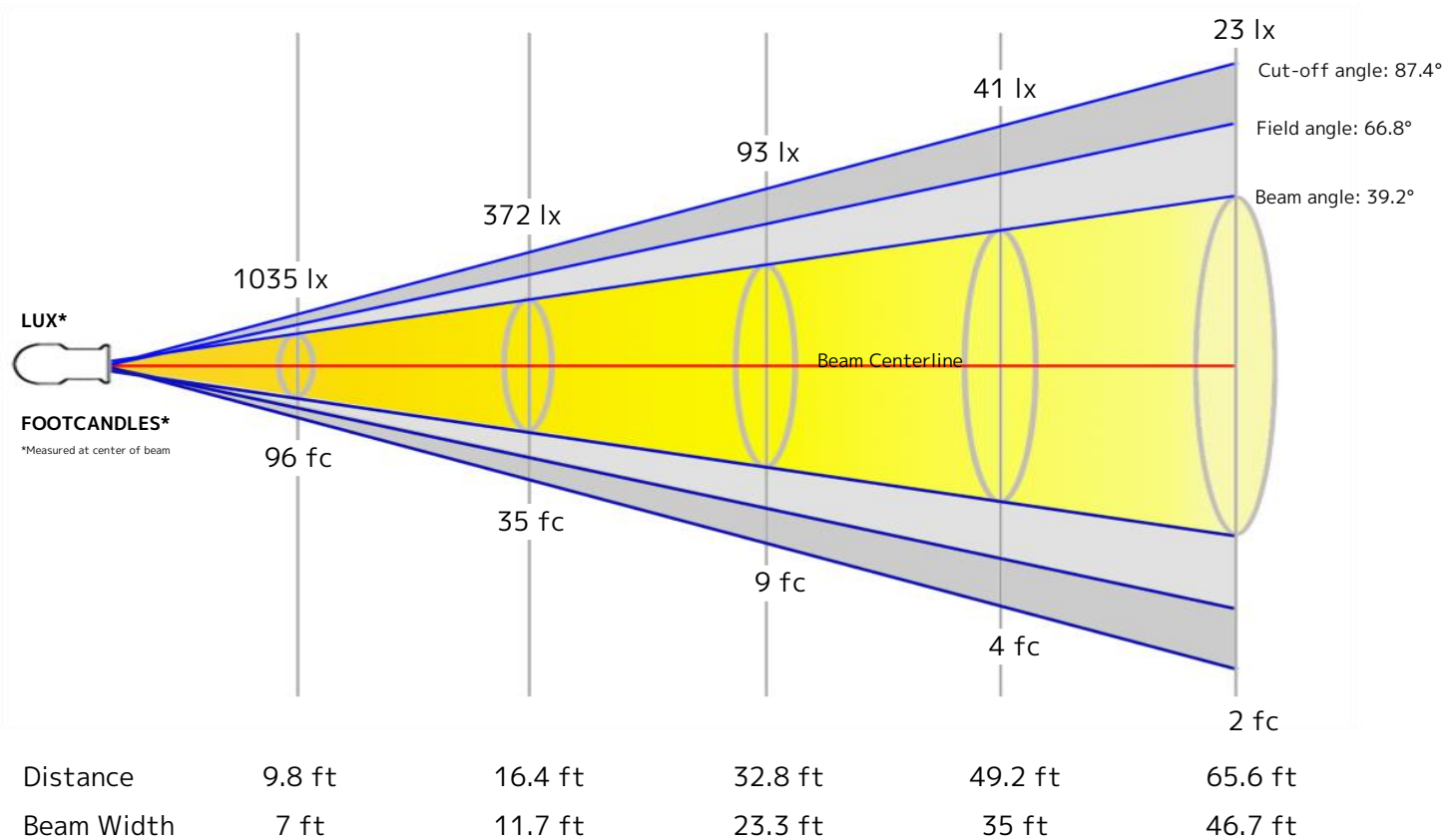
Color Temperature: 6898 K  
CRI: 65.3  
TLCI: 72  
TM30 R<sub>F</sub>: 76.7  
TM30 R<sub>g</sub>: 121.9

#### Power Details

Efficacy: 51 Lumen/Watt  
Power: 103.6 W  
Supply Voltage: 119 V  
Current: 0.877 A

### Beam Details

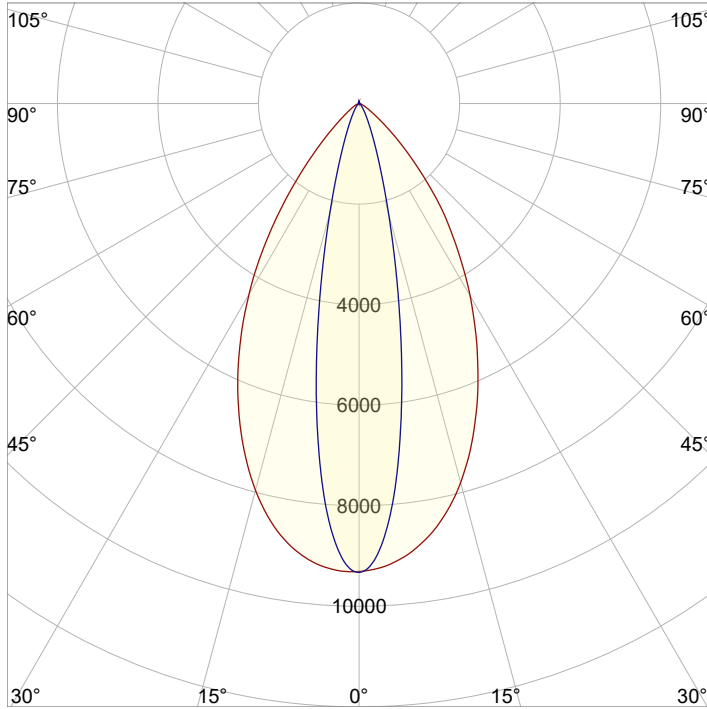
Distance	3 m	5 m	10 m	15 m	20 m
Beam Width	2.1 m	3.6 m	7.1 m	10.7 m	14.2 m



### Beam Intensities from 1-20m

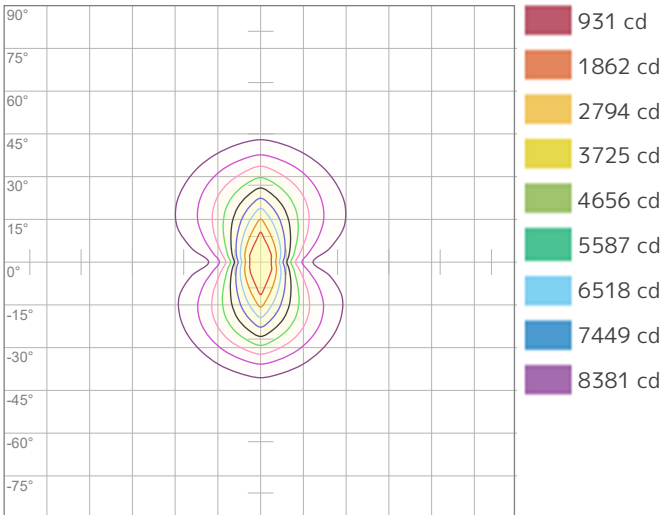
M	1	2	3	4	5	6	7	8	9	10	11	12	13	14	15	16	17	18	19	20
<b>LX</b>	9312	2328	1035	582	372	259	190	145	115	93	77	65	55	48	41	36	32	29	26	23
<b>FT</b>	3.3	6.6	9.8	13.1	16.4	19.7	23	26.2	29.5	32.8	36.1	39.4	42.7	45.9	49.2	52.5	55.8	59.1	62.3	65.6
<b>FC</b>	865.1	216.3	96.1	54.1	34.6	24	17.7	13.5	10.7	8.7	7.1	6	5.1	4.4	3.8	3.4	3	2.7	2.4	2.2

### Angular Distribution



Plane A	Plane B
<b>Beam Angle - 50%</b>	<b>Beam Angle - 50%</b>
<b>39.2°</b>	<b>20.4°</b>
<b>Field Angle - 10%</b>	<b>Field Angle - 10%</b>
<b>66.8°</b>	<b>40.8°</b>
<b>Cutoff Angle - 2.5%</b>	<b>Cutoff Angle - 2.5%</b>
<b>87.4°</b>	<b>61.8°</b>

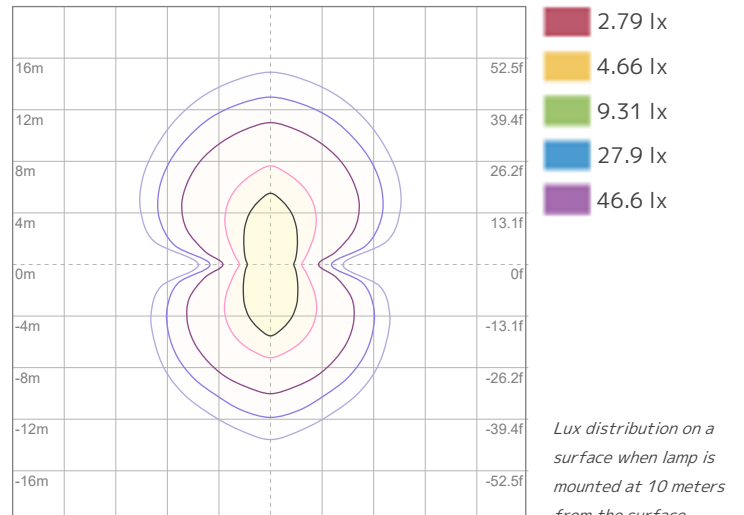
### ISO Diagrams



ISO Candela Diagram

Conditions:

Number of c-planes: 4  
Candela at center: 9312 cd

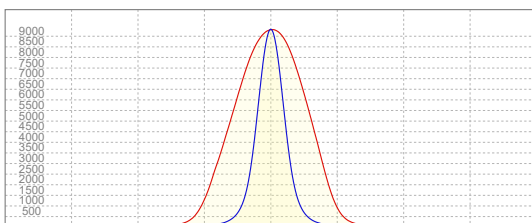


ISO LUX Diagram

Conditions:

Number of c-planes: 4  
LUX at center: 93.1 lx

### Linear Distribution



**Peak Candela**  
**9323 cd**

**Calculate Center Beam Intensities**

$$\text{lux} = 9323 / \text{distance(m)}^2$$

$$\text{fc} = 9323 / \text{distance(ft)}^2$$

### Key Measurements

#### Output

Total Lumen Output: 3375 lm  
Peak Intensity: 6000 cd

#### Beam

Beam Angle (50%): 39°x 20.4°  
Field Angle (10%): 66.5°x 40.7°  
Cutoff Angle (2.5%): 86.8°x 61.5°

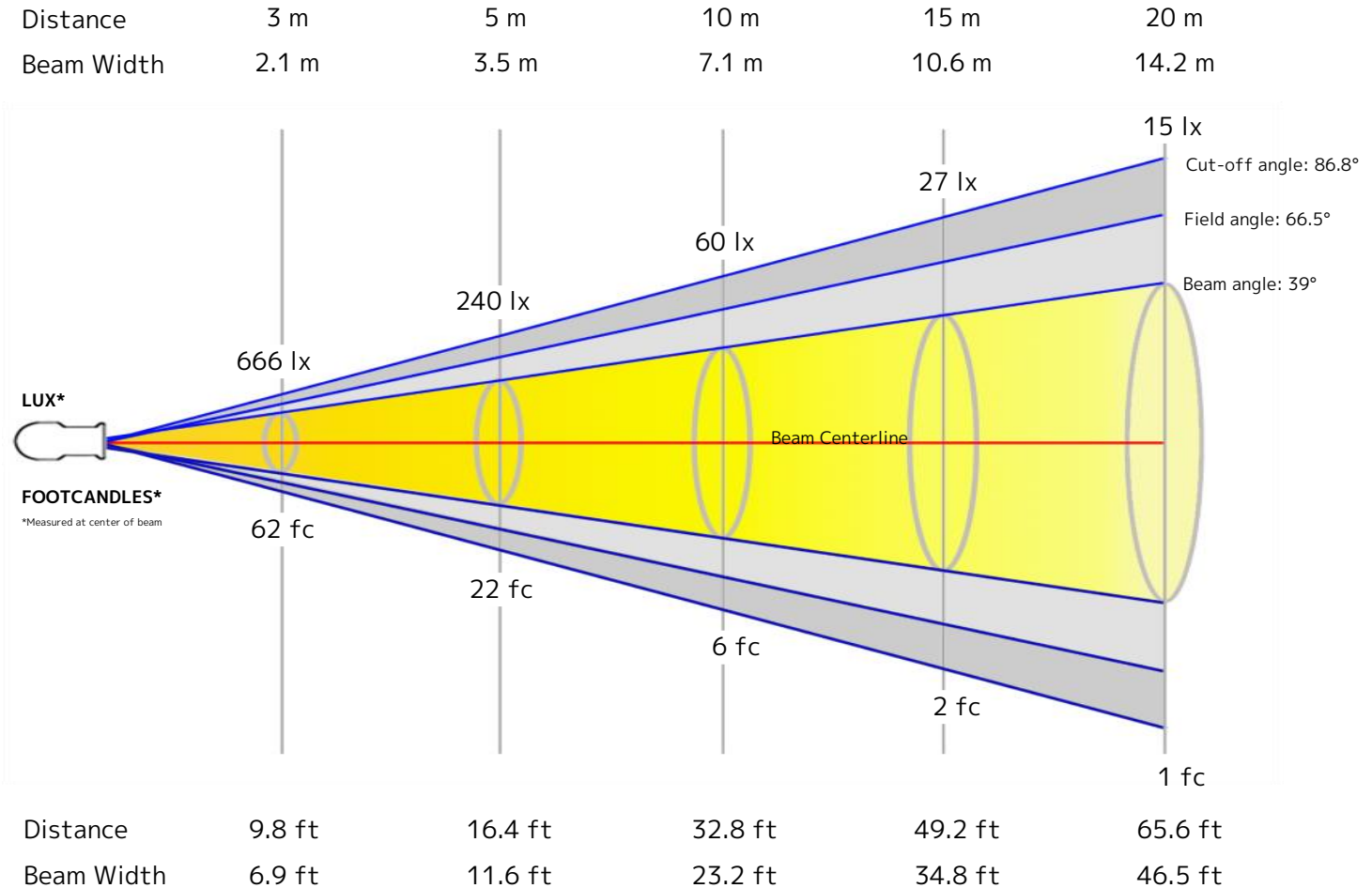
#### Color

Color Temperature: 2401 K  
CRI: 85.2  
TLCI: 71  
TM30 R<sub>F</sub>: 87.8  
TM30 R<sub>g</sub>: 108.3

#### Power Details

Efficacy: 61 Lumen/Watt  
Power: 55.3 W  
Supply Voltage: 119 V  
Current: 0.474 A

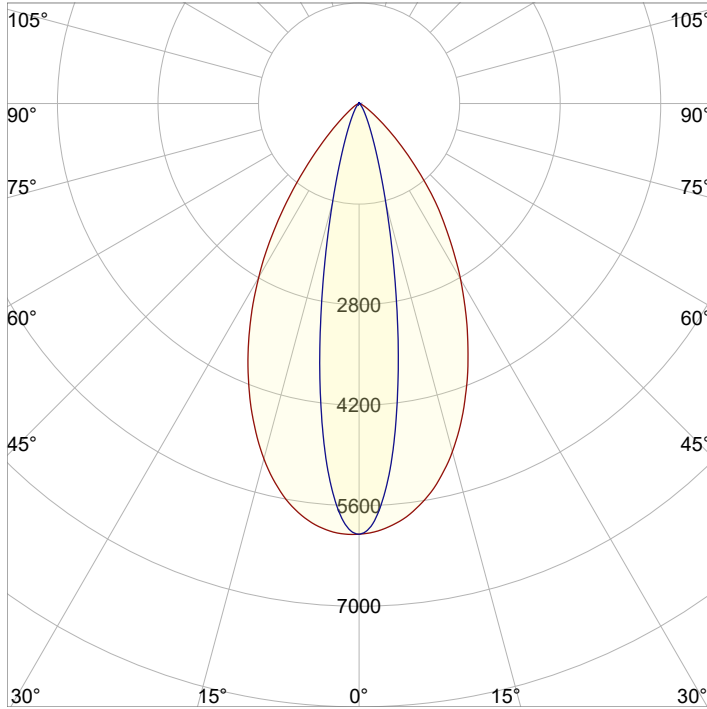
### Beam Details



### Beam Intensities from 1-20m

M	1	2	3	4	5	6	7	8	9	10	11	12	13	14	15	16	17	18	19	20
<b>LX</b>	5992	1498	666	375	240	166	122	94	74	60	50	42	35	31	27	23	21	18	17	15
<b>FT</b>	3.3	6.6	9.8	13.1	16.4	19.7	23	26.2	29.5	32.8	36.1	39.4	42.7	45.9	49.2	52.5	55.8	59.1	62.3	65.6
<b>FC</b>	556.7	139.2	61.9	34.8	22.3	15.5	11.4	8.7	6.9	5.6	4.6	3.9	3.3	2.8	2.5	2.2	1.9	1.7	1.5	1.4

### Angular Distribution

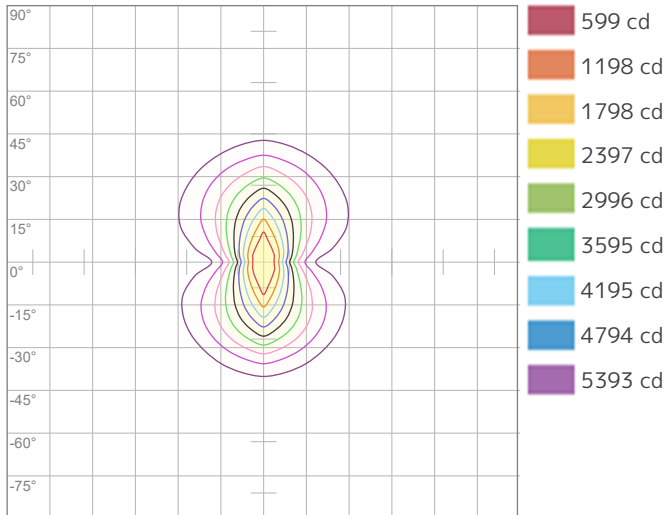


#### Plane A

#### Plane B

Beam Angle - 50%	Beam Angle - 50%
39°	20.4°
Field Angle - 10%	Field Angle - 10%
66.5°	40.7°
Cutoff Angle - 2.5%	Cutoff Angle - 2.5%
86.8°	61.5°

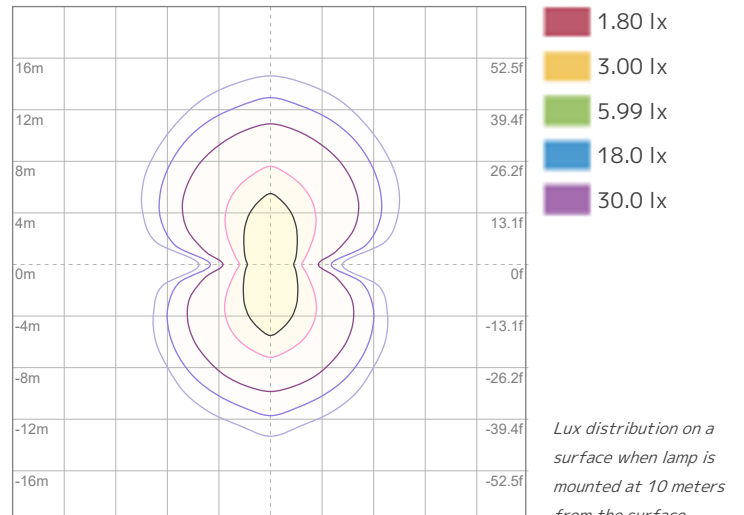
### ISO Diagrams



ISO Candela Diagram

Conditions:

Number of c-planes: 4  
Candela at center: 5992 cd



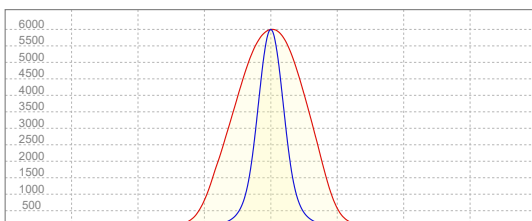
ISO LUX Diagram

Conditions:

Number of c-planes: 4  
LUX at center: 59.9 lx

*Lux distribution on a surface when lamp is mounted at 10 meters from the surface.*

### Linear Distribution



**Peak Candela**  
**6000 cd**

**Calculate Center Beam Intensities**

$$\text{lux} = 6000 / \text{distance(m)}^2$$

$$\text{fc} = 6000 / \text{distance(ft)}^2$$

### Key Measurements

#### Output

Total Lumen Output: 4236 lm  
Peak Intensity: 7483 cd

#### Beam

Beam Angle (50%): 39.1°x 20.4°  
Field Angle (10%): 66.5°x 40.8°  
Cutoff Angle (2.5%): 87.2°x 61.8°

#### Color

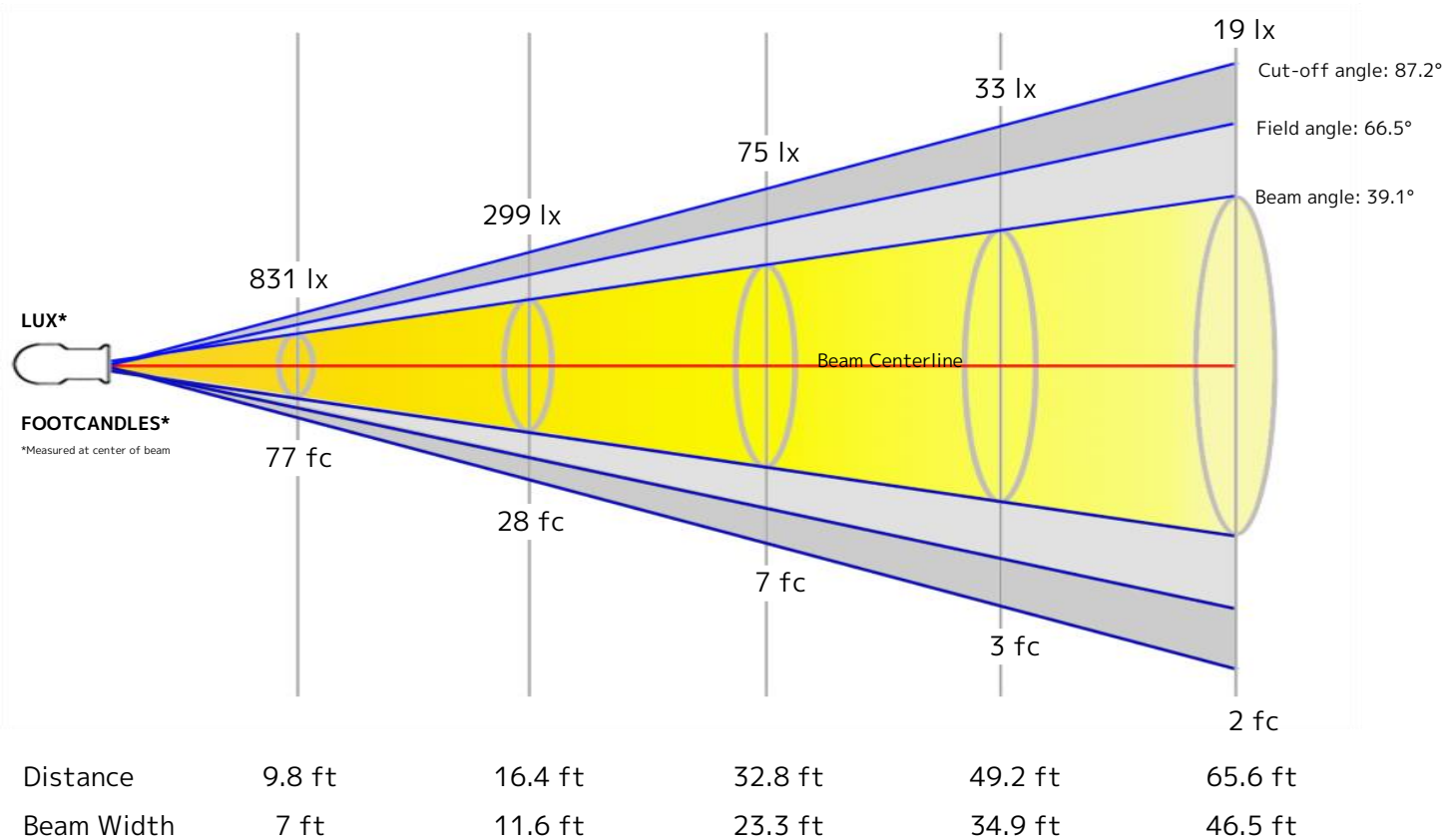
Color Temperature: 3148 K  
CRI: 89.2  
TLCI: 78  
TM30 R<sub>F</sub>: 90.7  
TM30 R<sub>g</sub>: 108.0

#### Power Details

Efficacy: 65 Lumen/Watt  
Power: 64.8 W  
Supply Voltage: 119 V  
Current: 0.551 A

### Beam Details

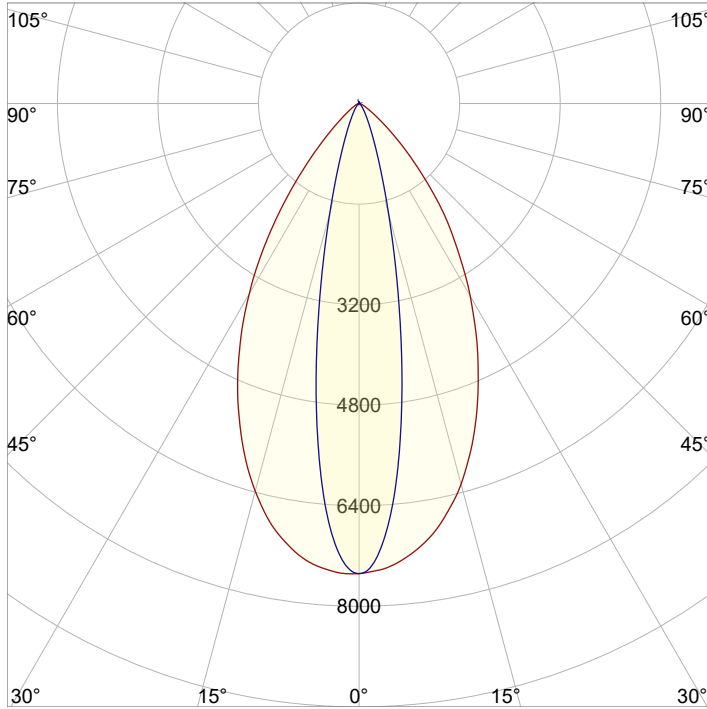
Distance	3 m	5 m	10 m	15 m	20 m
Beam Width	2.1 m	3.5 m	7.1 m	10.6 m	14.2 m



### Beam Intensities from 1-20m

M	1	2	3	4	5	6	7	8	9	10	11	12	13	14	15	16	17	18	19	20
<b>LX</b>	7477	1869	831	467	299	208	153	117	92	75	62	52	44	38	33	29	26	23	21	19
<b>FT</b>	3.3	6.6	9.8	13.1	16.4	19.7	23	26.2	29.5	32.8	36.1	39.4	42.7	45.9	49.2	52.5	55.8	59.1	62.3	65.6
<b>FC</b>	694.6	173.7	77.2	43.4	27.8	19.3	14.2	10.9	8.6	6.9	5.7	4.8	4.1	3.5	3.1	2.7	2.4	2.1	1.9	1.7

### Angular Distribution



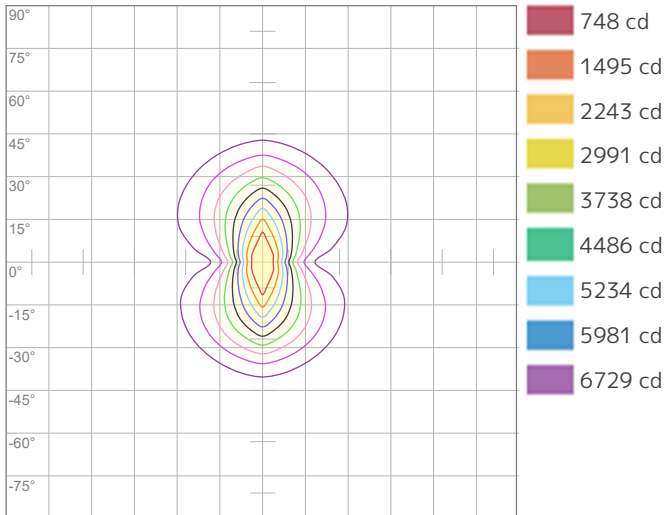
#### Plane A

Beam Angle - 50%
39.1°
Field Angle - 10%
66.5°
Cutoff Angle - 2.5%
87.2°

#### Plane B

Beam Angle - 50%
20.4°
Field Angle - 10%
40.8°
Cutoff Angle - 2.5%
61.8°

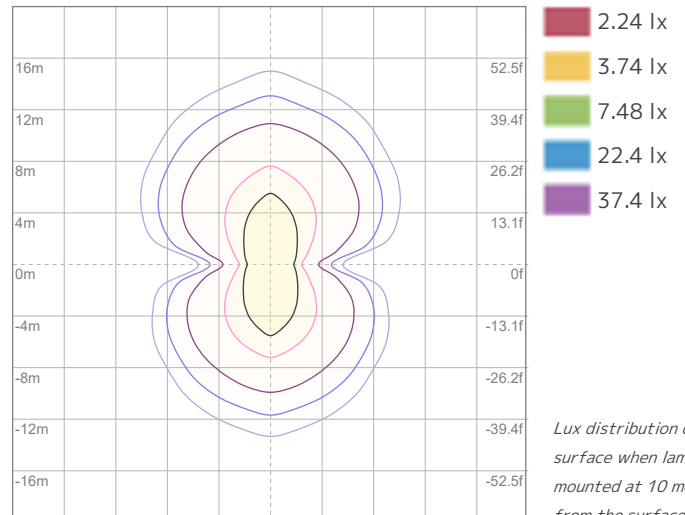
### ISO Diagrams



ISO Candela Diagram

Conditions:

Number of c-planes: 4  
Candela at center: 7477 cd



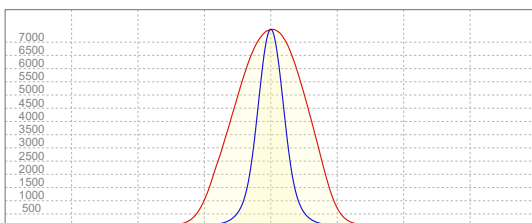
ISO LUX Diagram

Lux distribution on a surface when lamp is mounted at 10 meters from the surface.

Conditions:

Number of c-planes: 4  
LUX at center: 74.8 lx

### Linear Distribution



Peak Candela  
**7483 cd**

Calculate Center Beam Intensities

$$\text{lux} = 7483 / \text{distance(m)}^2$$

$$\text{fc} = 7483 / \text{distance(ft)}^2$$

### Key Measurements

#### Output

Total Lumen Output: 4518 lm  
Peak Intensity: 7934 cd

#### Beam

Beam Angle (50%): 39.1°x 20.4°  
Field Angle (10%): 66.8°x 40.8°  
Cutoff Angle (2.5%): 87.3°x 62.1°

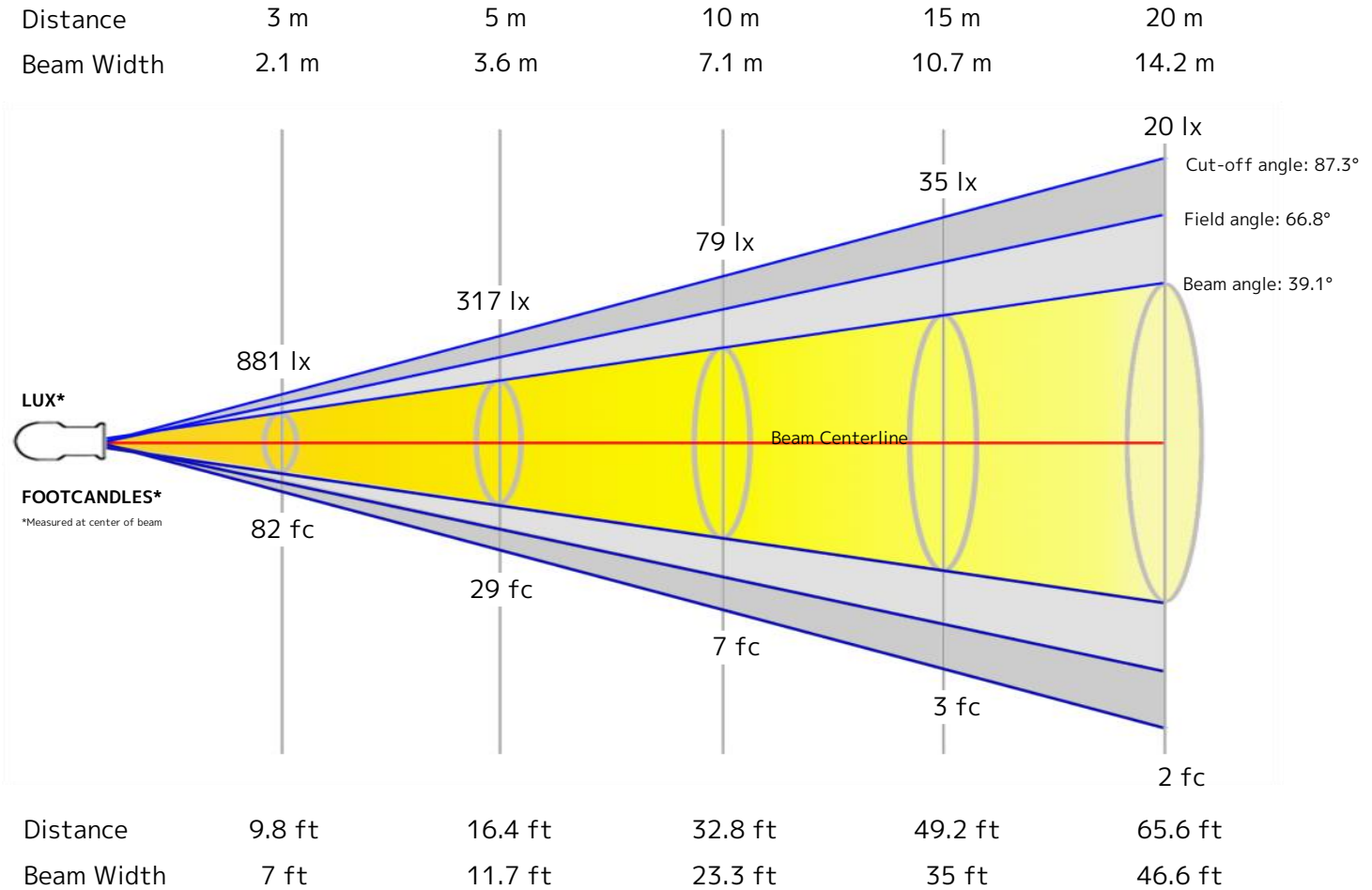
#### Color

Color Temperature: 4522 K  
CRI: 90.6  
TLCI: 80  
TM30 R<sub>F</sub>: 90.4  
TM30 R<sub>g</sub>: 107.6

#### Power Details

Efficacy: 65 Lumen/Watt  
Power: 69.1 W  
Supply Voltage: 119 V  
Current: 0.589 A

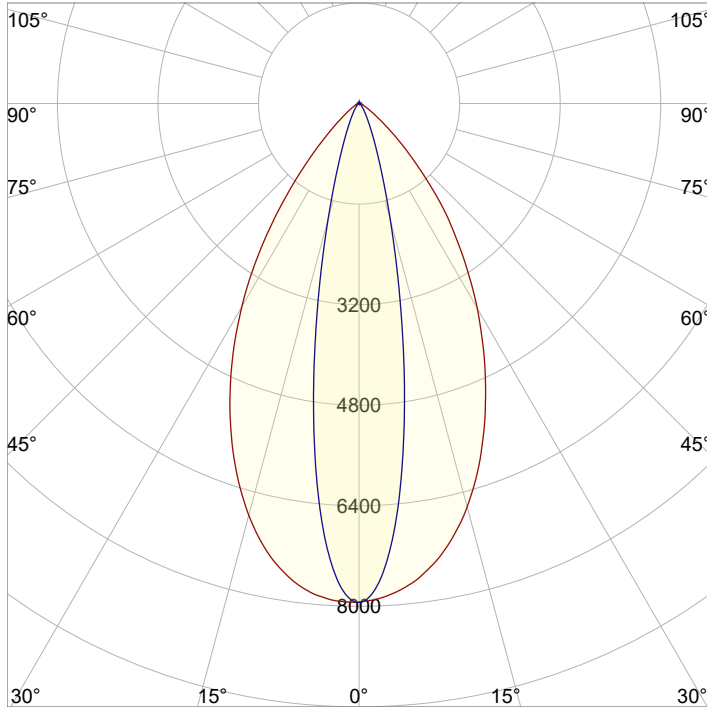
### Beam Details



### Beam Intensities from 1-20m

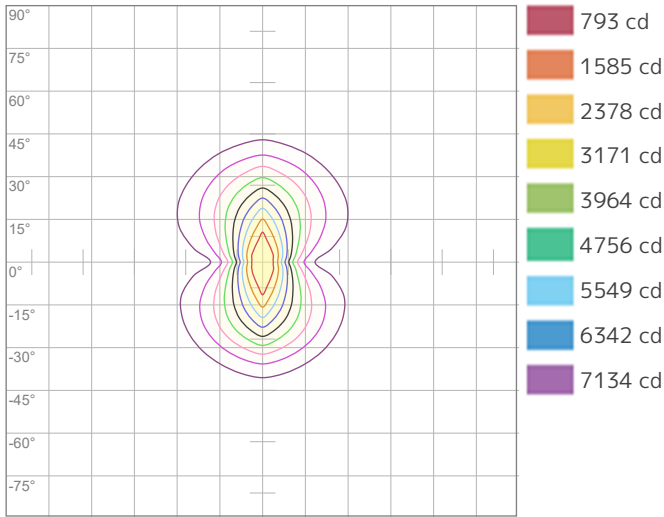
M	1	2	3	4	5	6	7	8	9	10	11	12	13	14	15	16	17	18	19	20
<b>LX</b>	7927	1982	881	495	317	220	162	124	98	79	66	55	47	40	35	31	27	24	22	20
<b>FT</b>	3.3	6.6	9.8	13.1	16.4	19.7	23	26.2	29.5	32.8	36.1	39.4	42.7	45.9	49.2	52.5	55.8	59.1	62.3	65.6
<b>FC</b>	736.4	184.1	81.8	46	29.5	20.5	15	11.5	9.1	7.4	6.1	5.1	4.4	3.8	3.3	2.9	2.5	2.3	2	1.8

### Angular Distribution



Plane A	Plane B
<b>Beam Angle - 50%</b>	<b>Beam Angle - 50%</b>
<b>39.1°</b>	<b>20.4°</b>
<b>Field Angle - 10%</b>	<b>Field Angle - 10%</b>
<b>66.8°</b>	<b>40.8°</b>
<b>Cutoff Angle - 2.5%</b>	<b>Cutoff Angle - 2.5%</b>
<b>87.3°</b>	<b>62.1°</b>

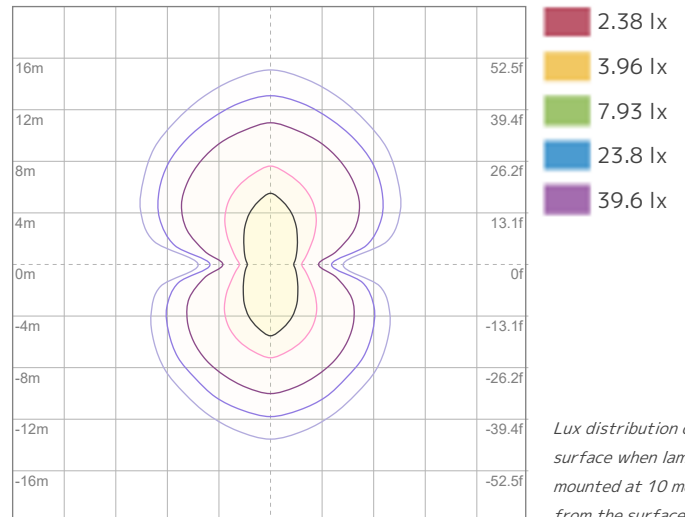
### ISO Diagrams



ISO Candela Diagram

Conditions:

Number of c-planes: 4  
Candela at center: 7927 cd



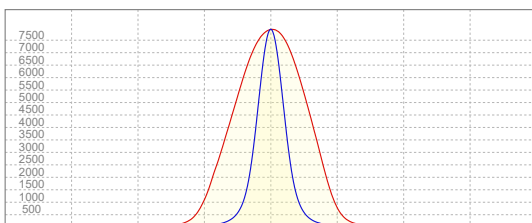
ISO LUX Diagram

Conditions:

Number of c-planes: 4  
LUX at center: 79.3 lx

*Lux distribution on a surface when lamp is mounted at 10 meters from the surface.*

### Linear Distribution



**Peak Candela**  
**7934 cd**

**Calculate Center Beam Intensities**

$$\text{lux} = 7934 / \text{distance(m)}^2$$

$$\text{fc} = 7934 / \text{distance(ft)}^2$$



### Key Measurements

#### Output

Total Lumen Output: 4699 lm  
Peak Intensity: 8220 cd

#### Beam

Beam Angle (50%): 39.1°x 20.4°  
Field Angle (10%): 66.9°x 40.8°  
Cutoff Angle (2.5%): 87.9°x 62.2°

#### Color

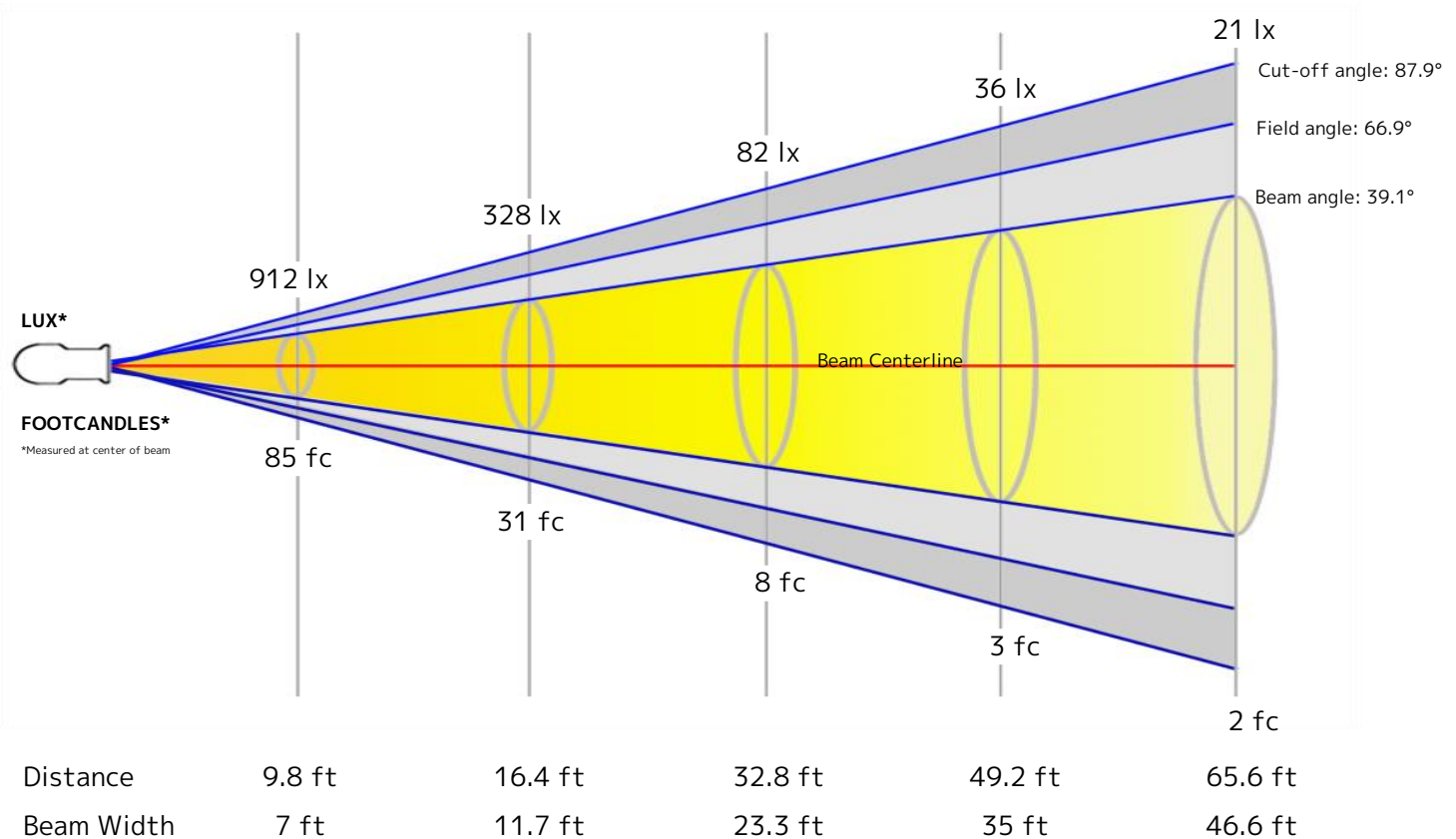
Color Temperature: 6550 K  
CRI: 89.2  
TLCI: 84  
TM30 R<sub>F</sub>: 88.5  
TM30 R<sub>g</sub>: 106.2

#### Power Details

Efficacy: 64 Lumen/Watt  
Power: 74.0 W  
Supply Voltage: 119 V  
Current: 0.627 A

### Beam Details

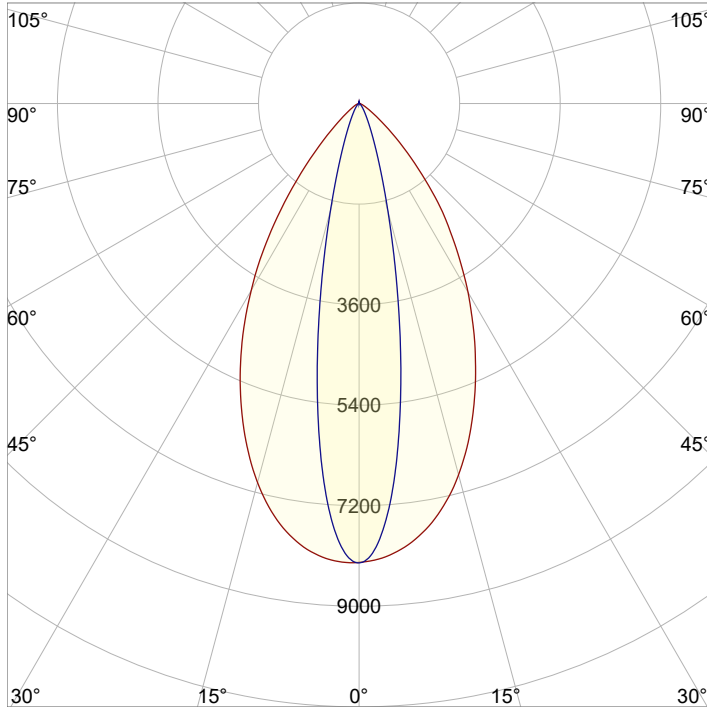
Distance	3 m	5 m	10 m	15 m	20 m
Beam Width	2.1 m	3.6 m	7.1 m	10.7 m	14.2 m



### Beam Intensities from 1-20m

M	1	2	3	4	5	6	7	8	9	10	11	12	13	14	15	16	17	18	19	20
<b>LX</b>	8210	2053	912	513	328	228	168	128	101	82	68	57	49	42	36	32	28	25	23	21
<b>FT</b>	3.3	6.6	9.8	13.1	16.4	19.7	23	26.2	29.5	32.8	36.1	39.4	42.7	45.9	49.2	52.5	55.8	59.1	62.3	65.6
<b>FC</b>	762.8	190.7	84.8	47.7	30.5	21.2	15.6	11.9	9.4	7.6	6.3	5.3	4.5	3.9	3.4	3	2.6	2.4	2.1	1.9

### Angular Distribution

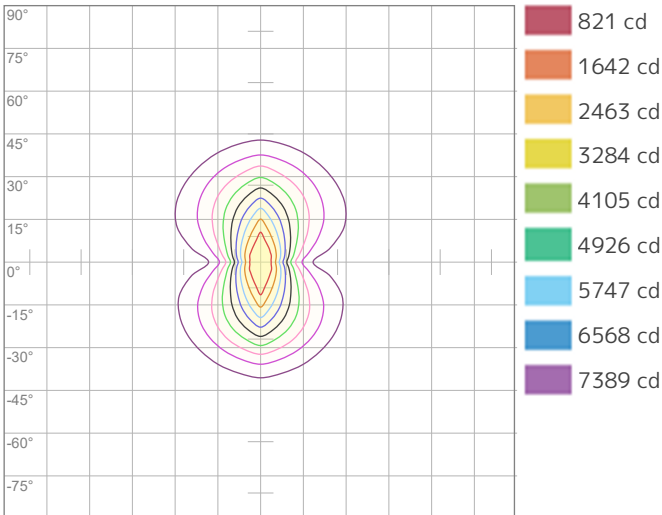


#### Plane A

#### Plane B

Beam Angle - 50%	Beam Angle - 50%
39.1°	20.4°
Field Angle - 10%	Field Angle - 10%
66.9°	40.8°
Cutoff Angle - 2.5%	Cutoff Angle - 2.5%
87.9°	62.2°

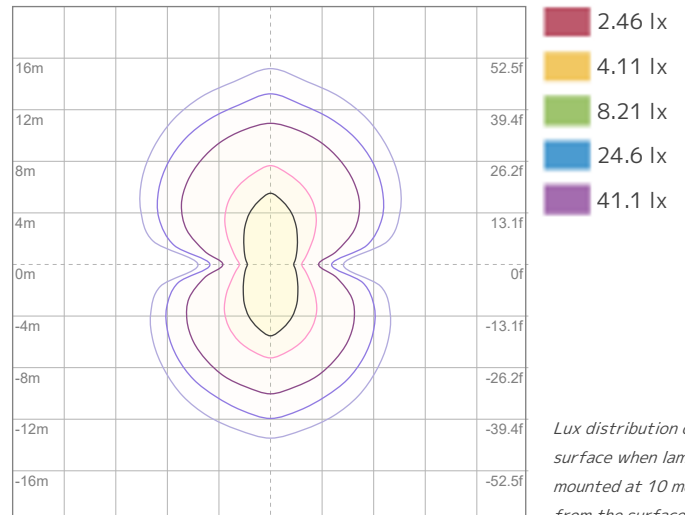
### ISO Diagrams



ISO Candela Diagram

Conditions:

Number of c-planes: 4  
Candela at center: 8210 cd



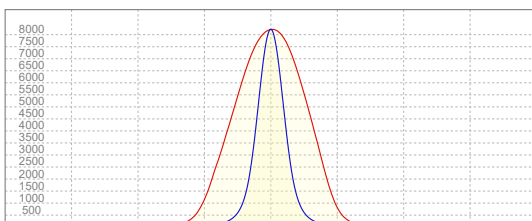
ISO LUX Diagram

Conditions:

Number of c-planes: 4  
LUX at center: 82.1 lx

*Lux distribution on a surface when lamp is mounted at 10 meters from the surface.*

### Linear Distribution



**Peak Candela**  
**8220 cd**

**Calculate Center Beam Intensities**

$$\text{lux} = 8220 / \text{distance(m)}^2$$

$$\text{fc} = 8220 / \text{distance(ft)}^2$$

### Key Measurements

#### Output

Total Lumen Output: 4604 lm  
Peak Intensity: 8039 cd

#### Beam

Beam Angle (50%): 39.1°x 20.4°  
Field Angle (10%): 66.9°x 40.9°  
Cutoff Angle (2.5%): 87.7°x 62.4°

#### Color

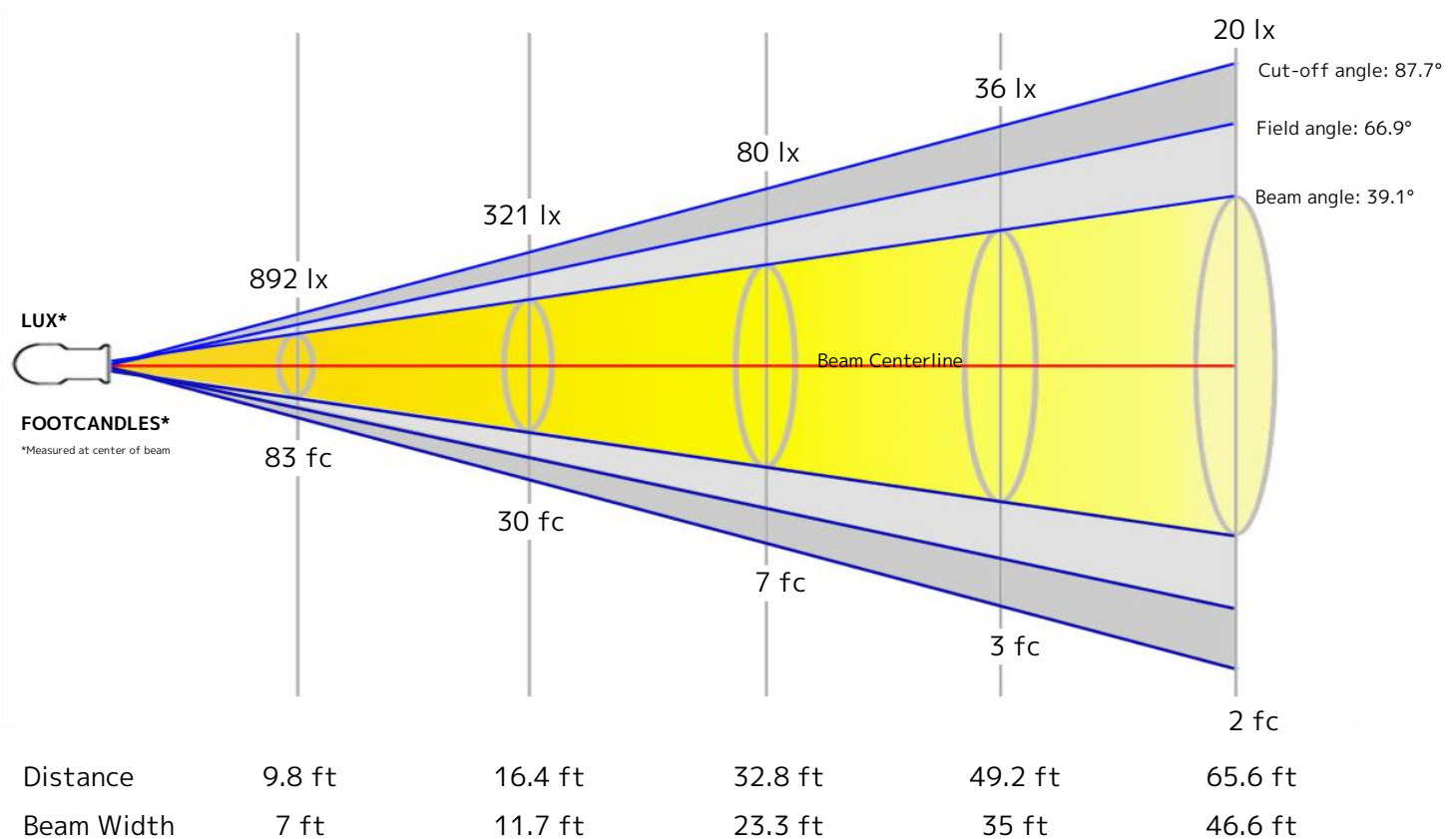
Color Temperature: 8559 K  
CRI: 88.3  
TLCI: 86  
TM30 R<sub>F</sub>: 87.0  
TM30 R<sub>g</sub>: 104.6

#### Power Details

Efficacy: 62 Lumen/Watt  
Power: 74.2 W  
Supply Voltage: 120 V  
Current: 0.627 A

### Beam Details

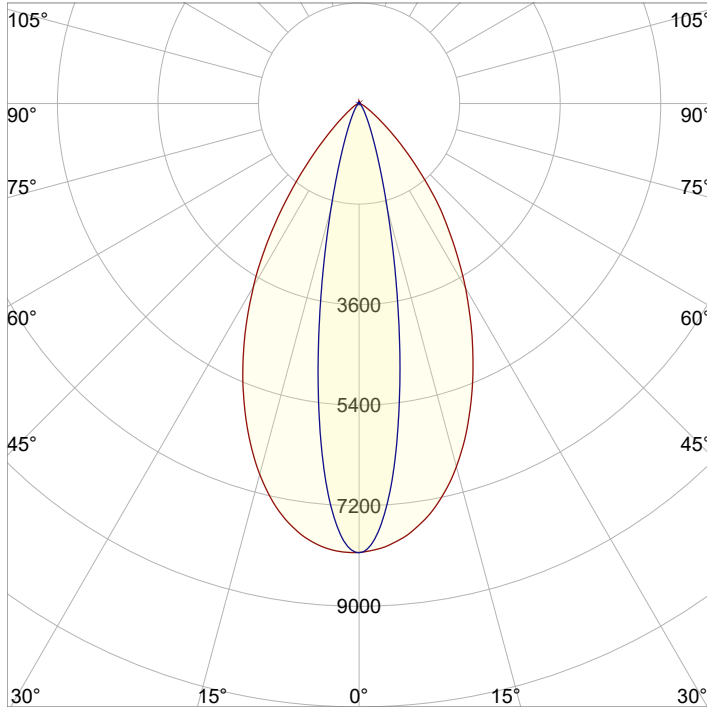
Distance	3 m	5 m	10 m	15 m	20 m
Beam Width	2.1 m	3.6 m	7.1 m	10.7 m	14.2 m



### Beam Intensities from 1-20m

M	1	2	3	4	5	6	7	8	9	10	11	12	13	14	15	16	17	18	19	20
<b>LX</b>	8032	2008	892	502	321	223	164	125	99	80	66	56	48	41	36	31	28	25	22	20
<b>FT</b>	3.3	6.6	9.8	13.1	16.4	19.7	23	26.2	29.5	32.8	36.1	39.4	42.7	45.9	49.2	52.5	55.8	59.1	62.3	65.6
<b>FC</b>	746.2	186.5	82.9	46.6	29.8	20.7	15.2	11.7	9.2	7.5	6.2	5.2	4.4	3.8	3.3	2.9	2.6	2.3	2.1	1.9

### Angular Distribution

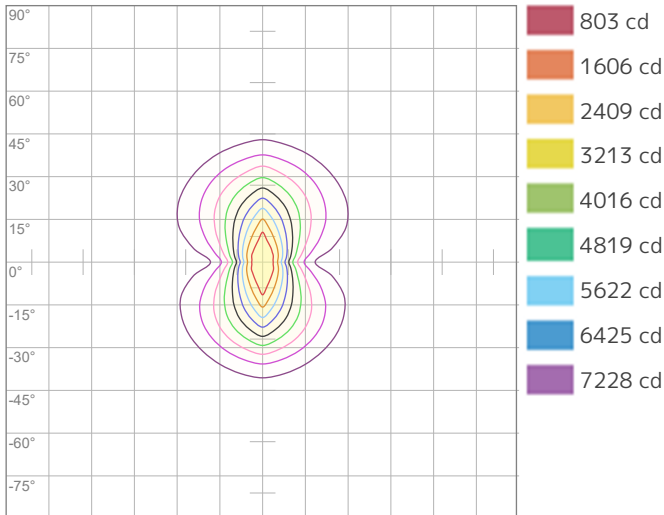


#### Plane A

#### Plane B

Beam Angle - 50%	Beam Angle - 50%
39.1°	20.4°
Field Angle - 10%	Field Angle - 10%
66.9°	40.9°
Cutoff Angle - 2.5%	Cutoff Angle - 2.5%
87.7°	62.4°

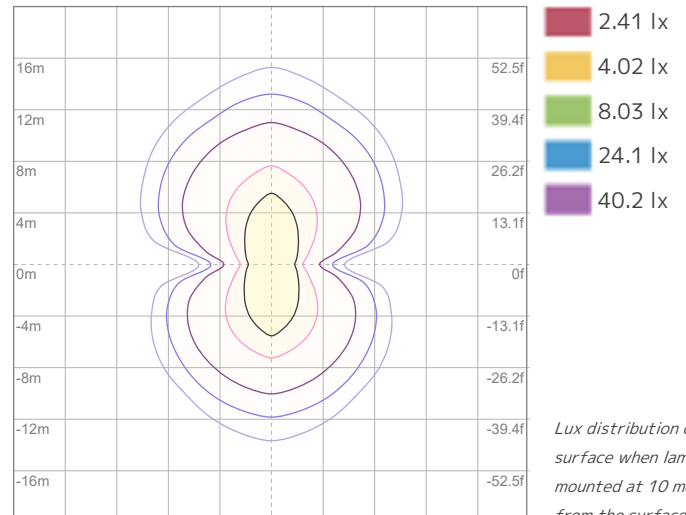
### ISO Diagrams



ISO Candela Diagram

Conditions:

Number of c-planes: 4  
Candela at center: 8032 cd



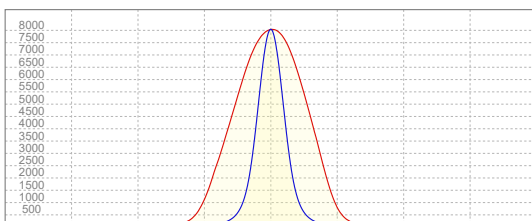
ISO LUX Diagram

Conditions:

Number of c-planes: 4  
LUX at center: 80.3 lx

*Lux distribution on a surface when lamp is mounted at 10 meters from the surface.*

### Linear Distribution



Peak Candela  
**8039 cd**

Calculate Center Beam Intensities

$$\text{lux} = 8039 / \text{distance(m)}^2$$

$$\text{fc} = 8039 / \text{distance(ft)}^2$$

## Key Measurements

### Output

Total Lumen Output: 4295 lm  
Peak Intensity: 13801 cd

### Beam

Beam Angle (50%): 29.2°x 39.9°  
Field Angle (10%): 50°x 65.1°  
Cutoff Angle (2.5%): 67.9°x 82.1°

### Color

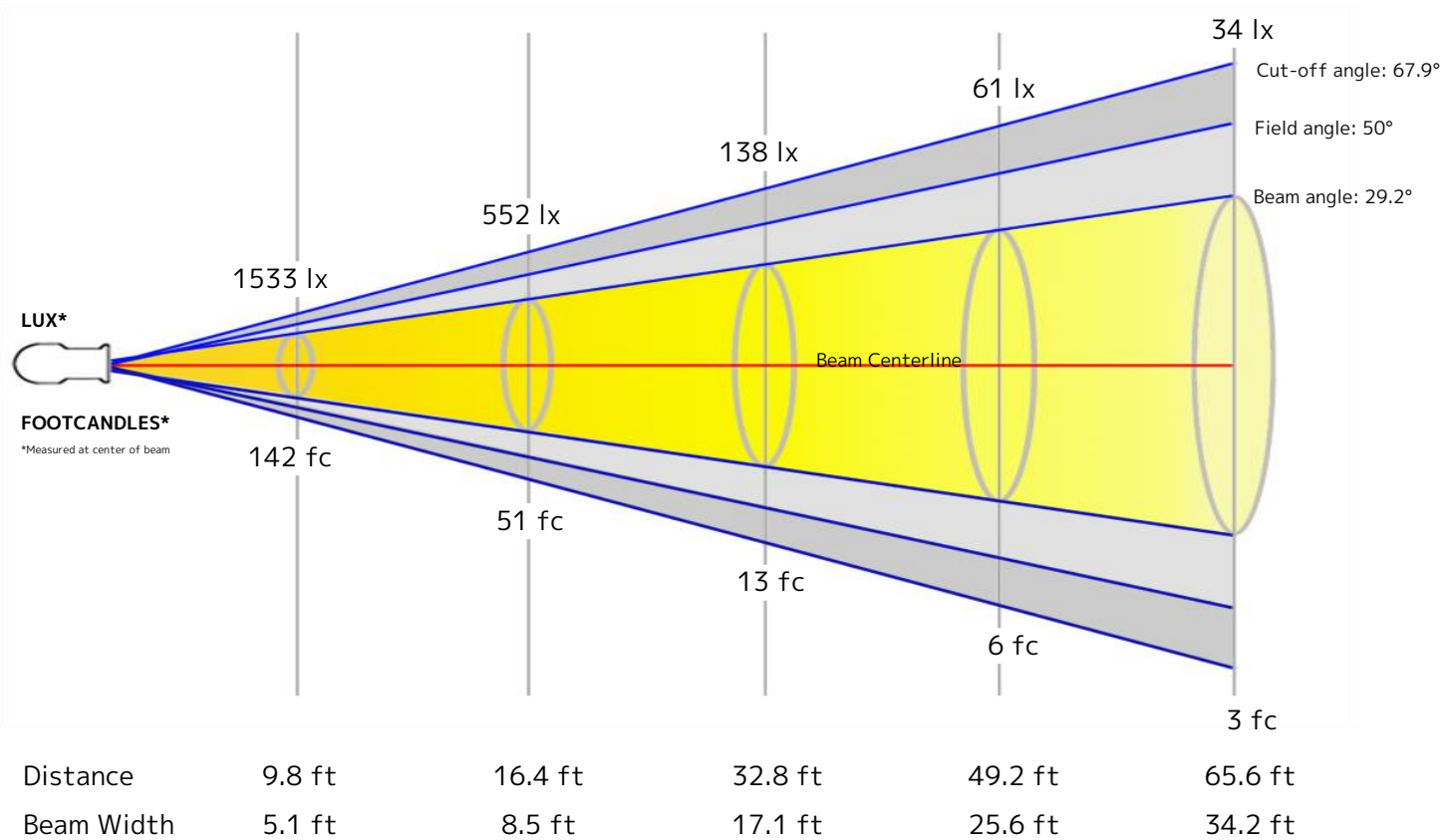
Color Temperature: 7080 K  
CRI: 67.2  
TLCI: 76  
TM30 R<sub>F</sub>: 77.9  
TM30 R<sub>g</sub>: 120.5

### Power Details

Efficacy: 48 Lumen/Watt  
Power: 88.8 W  
Supply Voltage: 120 V  
Current: 0.748 A

## Beam Details

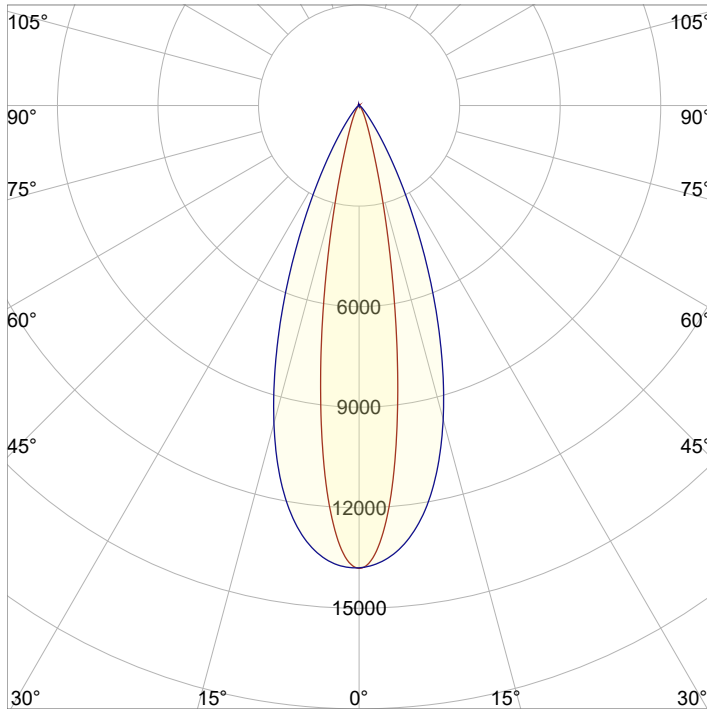
Distance	3 m	5 m	10 m	15 m	20 m
Beam Width	1.6 m	2.6 m	5.2 m	7.8 m	10.4 m



## Beam Intensities from 1-20m

M	1	2	3	4	5	6	7	8	9	10	11	12	13	14	15	16	17	18	19	20
<b>LX</b>	13793	3448	1533	862	552	383	281	216	170	138	114	96	82	70	61	54	48	43	38	34
<b>FT</b>	3.3	6.6	9.8	13.1	16.4	19.7	23	26.2	29.5	32.8	36.1	39.4	42.7	45.9	49.2	52.5	55.8	59.1	62.3	65.6
<b>FC</b>	1281.4	320.3	142.4	80.1	51.3	35.6	26.2	20	15.8	12.8	10.6	8.9	7.6	6.5	5.7	5	4.4	4	3.5	3.2

**Angular Distribution**

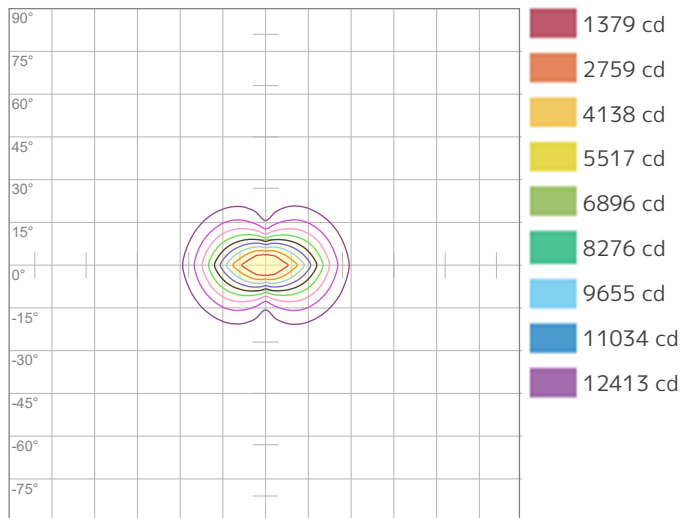


**Plane A**

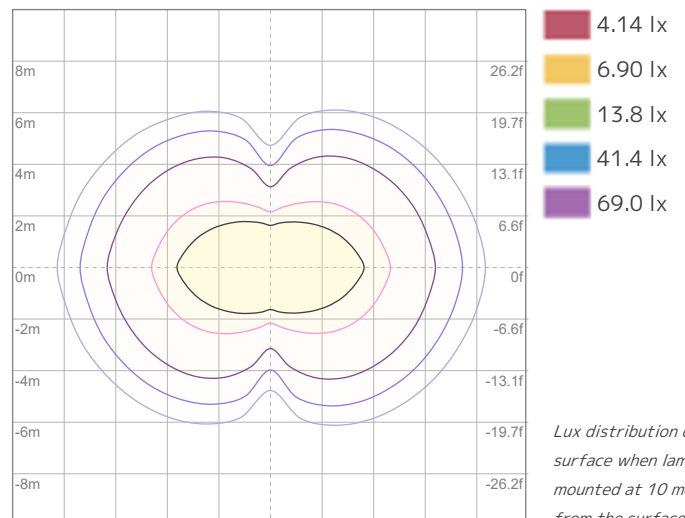
**Plane B**

Beam Angle - 50%	Beam Angle - 50%
29.2°	39.9°
Field Angle - 10%	Field Angle - 10%
50°	65.1°
Cutoff Angle - 2.5%	Cutoff Angle - 2.5%
67.9°	82.1°

**ISO Diagrams**



**ISO Candela Diagram**



**ISO LUX Diagram**

*Lux distribution on a surface when lamp is mounted at 10 meters from the surface.*

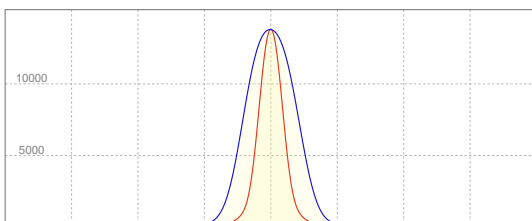
Conditions:

Number of c-planes: 4  
Candela at center: 13793 cd

Conditions:

Number of c-planes: 4  
LUX at center: 138 lx

**Linear Distribution**



**Peak Candela**  
**13801 cd**

**Calculate Center Beam Intensities**

$$\text{lux} = 13801 / \text{distance(m)}^2$$

$$\text{fc} = 13801 / \text{distance(ft)}^2$$

## Key Measurements

### Output

Total Lumen Output: 4374 lm  
Peak Intensity: 14027 cd

### Beam

Beam Angle (50%): 29.2°x 39.9°  
Field Angle (10%): 50.1°x 65.1°  
Cutoff Angle (2.5%): 68°x 82.2°

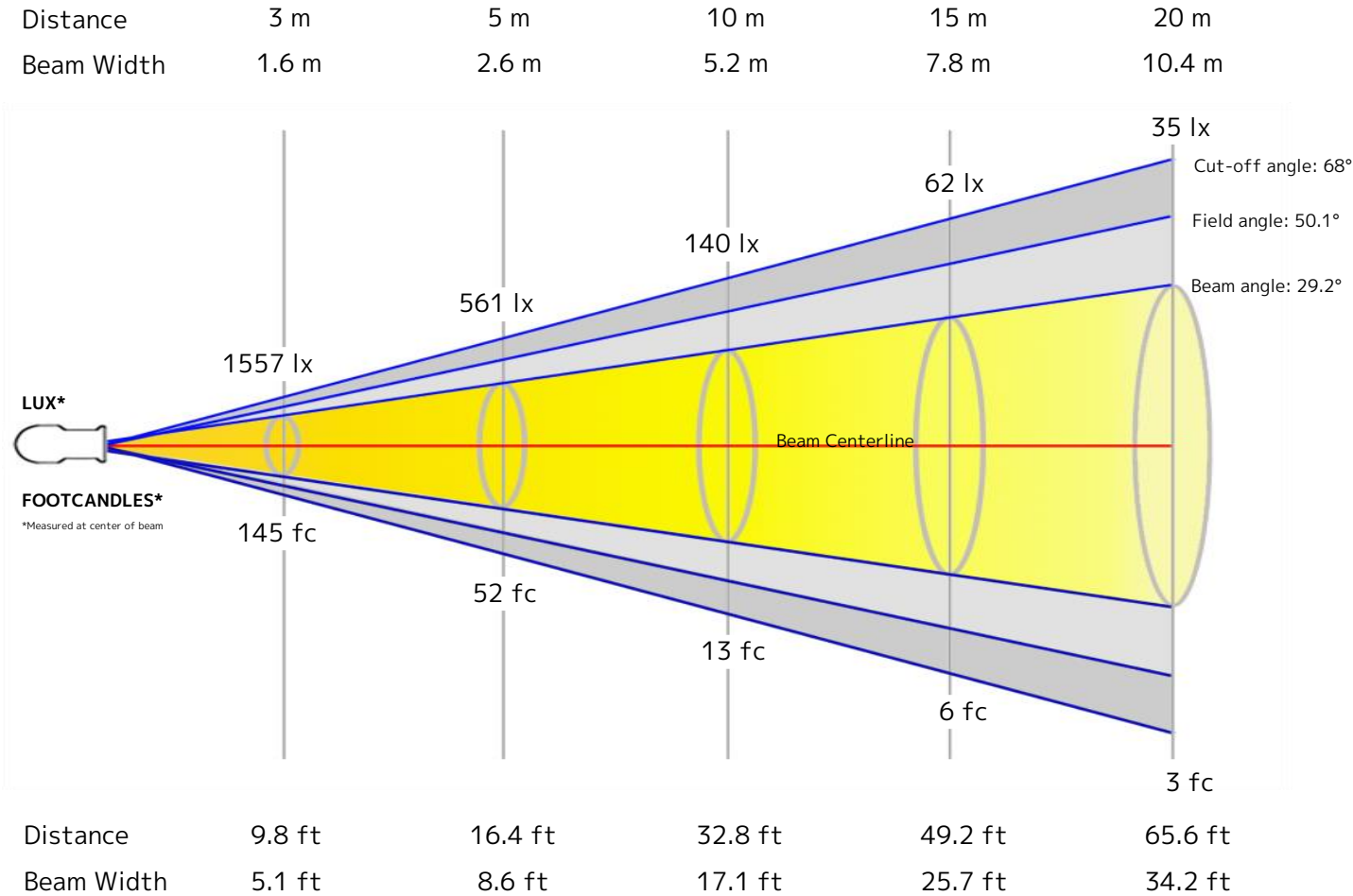
### Color

Color Temperature: 7334 K  
CRI: 65.0  
TLCI: 74  
TM30 R<sub>F</sub>: 76.3  
TM30 R<sub>g</sub>: 121.6

### Power Details

Efficacy: 43 Lumen/Watt  
Power: 102.6 W  
Supply Voltage: 119 V  
Current: 0.868 A

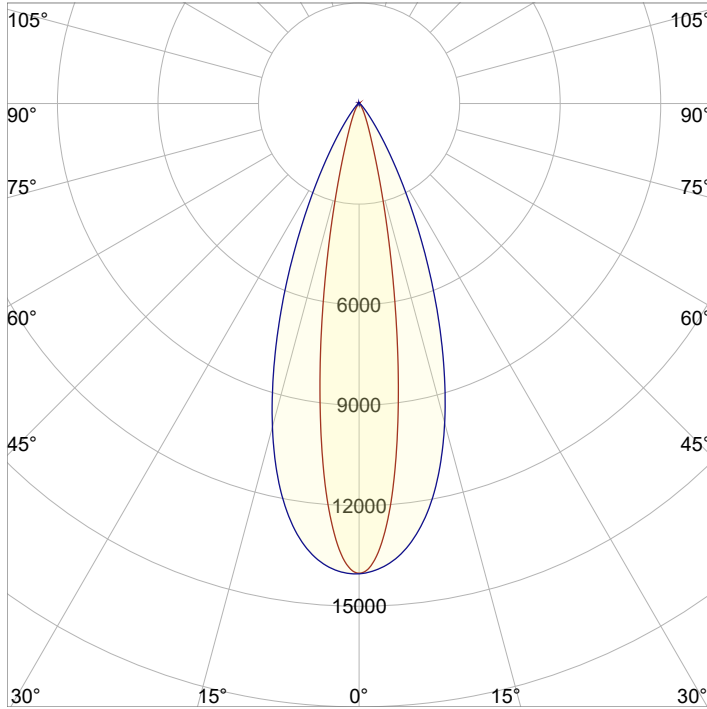
## Beam Details



## Beam Intensities from 1-20m

M	1	2	3	4	5	6	7	8	9	10	11	12	13	14	15	16	17	18	19	20
<b>LX</b>	14014	3503	1557	876	561	389	286	219	173	140	116	97	83	71	62	55	48	43	39	35
<b>FT</b>	3.3	6.6	9.8	13.1	16.4	19.7	23	26.2	29.5	32.8	36.1	39.4	42.7	45.9	49.2	52.5	55.8	59.1	62.3	65.6
<b>FC</b>	1301.9	325.5	144.7	81.4	52.1	36.2	26.6	20.3	16.1	13	10.8	9	7.7	6.6	5.8	5.1	4.5	4	3.6	3.3

### Angular Distribution

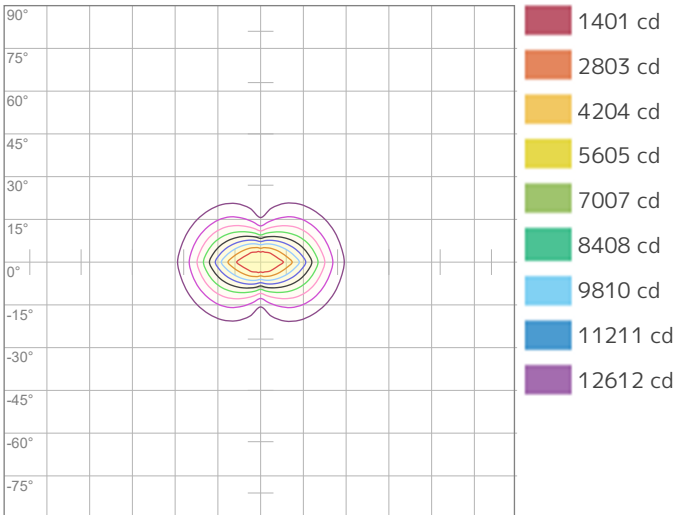


#### Plane A

#### Plane B

Beam Angle - 50%	Beam Angle - 50%
29.2°	39.9°
Field Angle - 10%	Field Angle - 10%
50.1°	65.1°
Cutoff Angle - 2.5%	Cutoff Angle - 2.5%
68°	82.2°

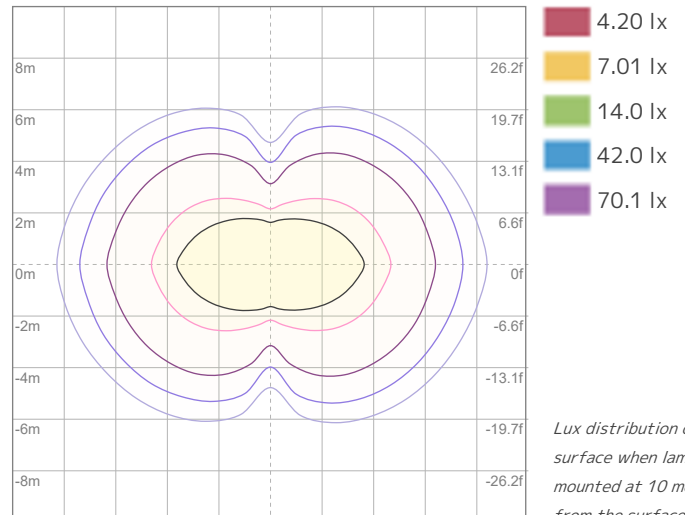
### ISO Diagrams



ISO Candela Diagram

Conditions:

Number of c-planes: 4  
Candela at center: 14014 cd



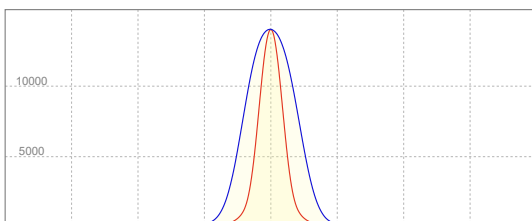
ISO LUX Diagram

Conditions:

Number of c-planes: 4  
LUX at center: 140 lx

*Lux distribution on a surface when lamp is mounted at 10 meters from the surface.*

### Linear Distribution



**Peak Candela**  
**14027 cd**

**Calculate Center Beam Intensities**

$$\text{lux} = 14027 / \text{distance(m)}^2$$

$$\text{fc} = 14027 / \text{distance(ft)}^2$$



## Key Measurements

### Output

Total Lumen Output: 2781 lm  
Peak Intensity: 9038 cd

### Beam

Beam Angle (50%): 29.1°x 39.8°  
Field Angle (10%): 49.8°x 64.9°  
Cutoff Angle (2.5%): 67.2°x 81.7°

### Color

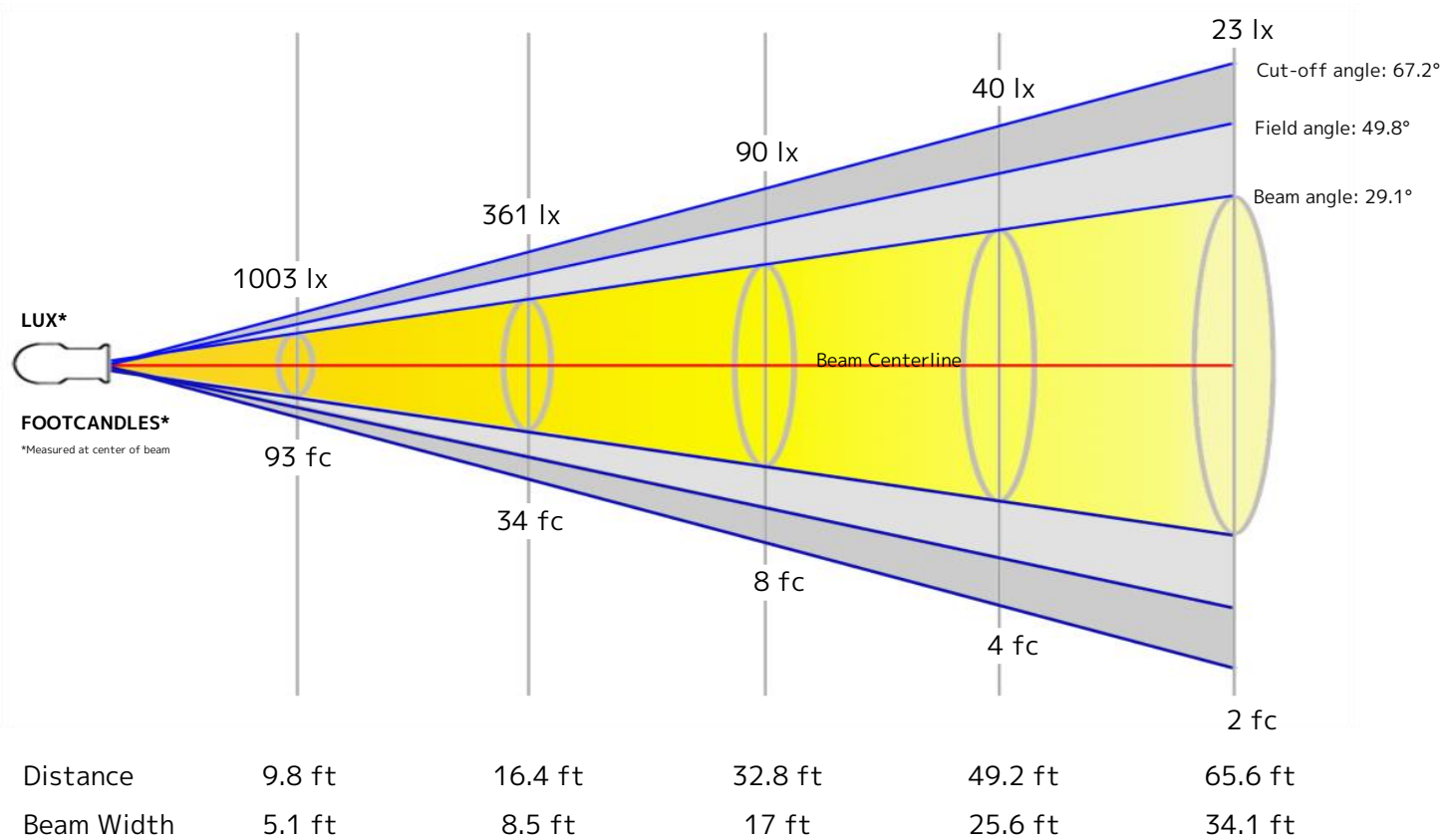
Color Temperature: 2389 K  
CRI: 84.1  
TLCI: 70  
TM30 R<sub>F</sub>: 87.4  
TM30 R<sub>g</sub>: 108.8

### Power Details

Efficacy: 51 Lumen/Watt  
Power: 54.5 W  
Supply Voltage: 120 V  
Current: 0.466 A

## Beam Details

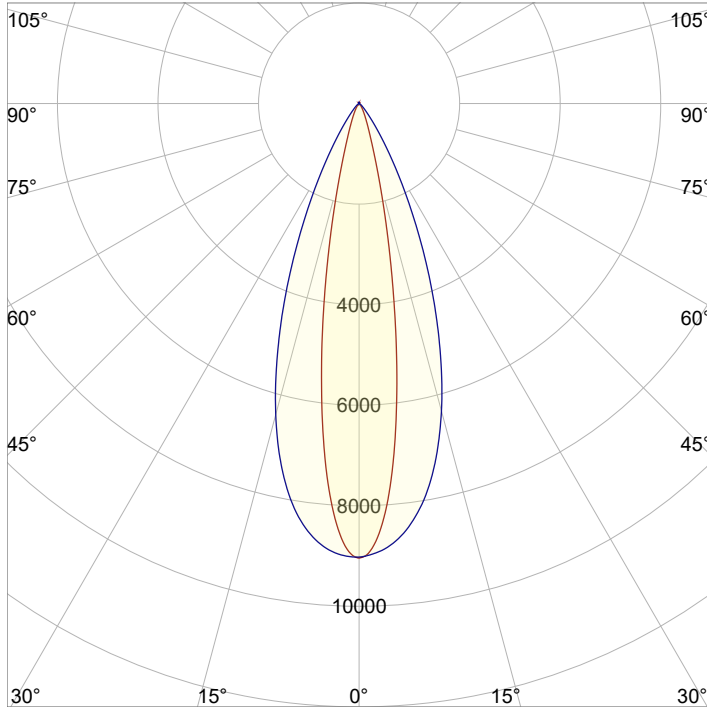
Distance	3 m	5 m	10 m	15 m	20 m
Beam Width	1.6 m	2.6 m	5.2 m	7.8 m	10.4 m



## Beam Intensities from 1-20m

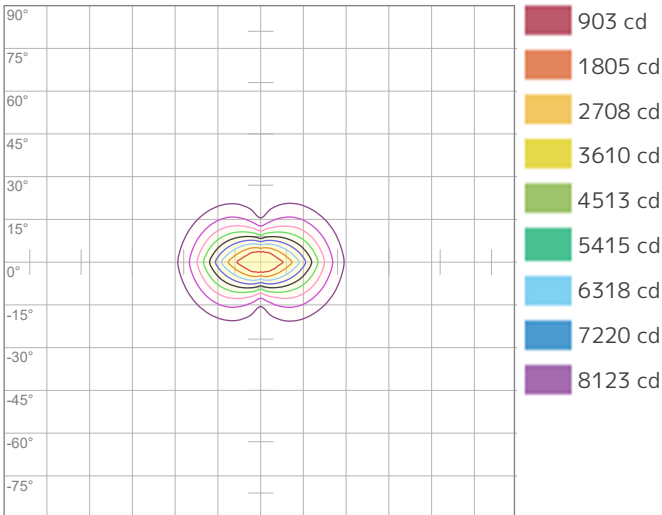
M	1	2	3	4	5	6	7	8	9	10	11	12	13	14	15	16	17	18	19	20
<b>LX</b>	9025	2256	1003	564	361	251	184	141	111	90	75	63	53	46	40	35	31	28	25	23
<b>FT</b>	3.3	6.6	9.8	13.1	16.4	19.7	23	26.2	29.5	32.8	36.1	39.4	42.7	45.9	49.2	52.5	55.8	59.1	62.3	65.6
<b>FC</b>	838.5	209.6	93.2	52.4	33.5	23.3	17.1	13.1	10.4	8.4	6.9	5.8	5	4.3	3.7	3.3	2.9	2.6	2.3	2.1

### Angular Distribution



Plane A	Plane B
<b>Beam Angle - 50%</b>	<b>Beam Angle - 50%</b>
<b>29.1°</b>	<b>39.8°</b>
<b>Field Angle - 10%</b>	<b>Field Angle - 10%</b>
<b>49.8°</b>	<b>64.9°</b>
<b>Cutoff Angle - 2.5%</b>	<b>Cutoff Angle - 2.5%</b>
<b>67.2°</b>	<b>81.7°</b>

### ISO Diagrams

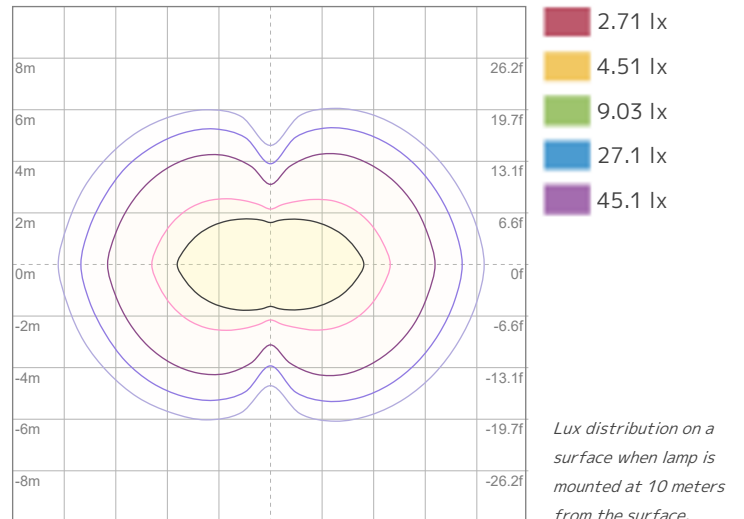


ISO Candela Diagram

Conditions:

Number of c-planes: 4

Candela at center: 9025 cd



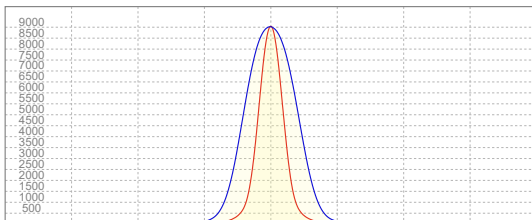
ISO LUX Diagram

Conditions:

Number of c-planes: 4

LUX at center: 90.3 lx

### Linear Distribution



**Peak Candela**  
**9038 cd**

**Calculate Center Beam Intensities**

$$\text{lux} = 9038 / \text{distance(m)}^2$$

$$\text{fc} = 9038 / \text{distance(ft)}^2$$

### Key Measurements

#### Output

Total Lumen Output: 3581 lm  
Peak Intensity: 11446 cd

#### Beam

Beam Angle (50%): 29.2°x 39.9°  
Field Angle (10%): 50°x 65.1°  
Cutoff Angle (2.5%): 68.1°x 82.3°

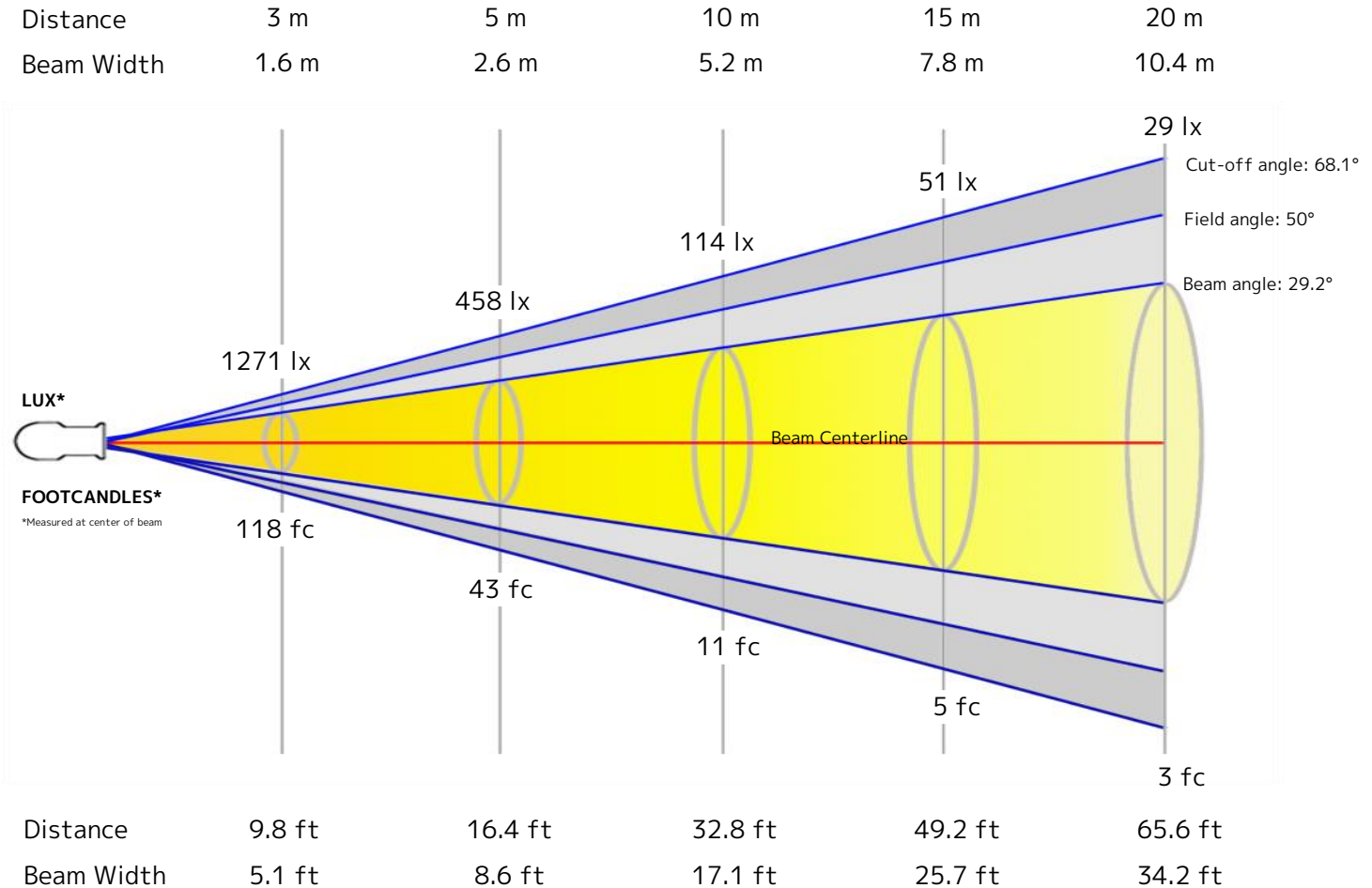
#### Color

Color Temperature: 3147 K  
CRI: 88.5  
TLCI: 78  
TM30 R<sub>F</sub>: 90.5  
TM30 R<sub>g</sub>: 108.4

#### Power Details

Efficacy: 55 Lumen/Watt  
Power: 64.8 W  
Supply Voltage: 120 V  
Current: 0.551 A

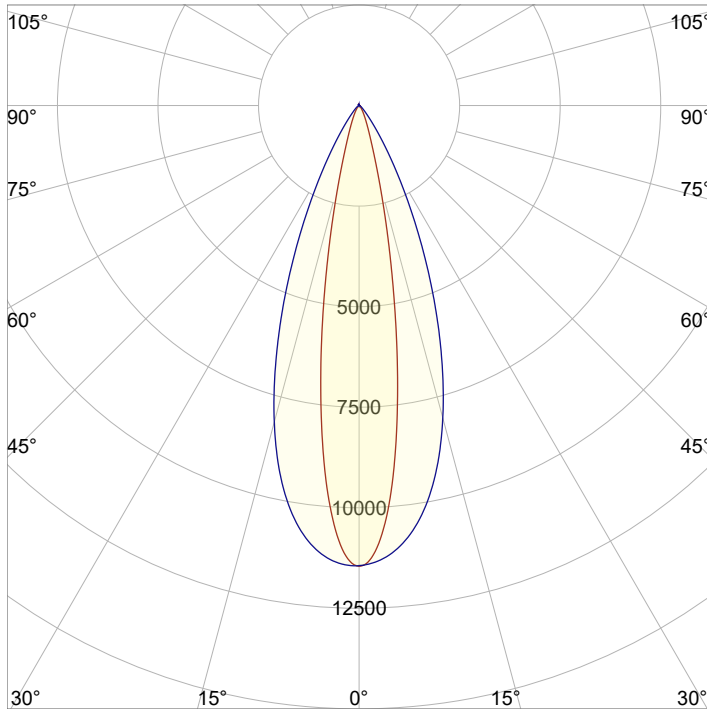
### Beam Details



### Beam Intensities from 1-20m

M	1	2	3	4	5	6	7	8	9	10	11	12	13	14	15	16	17	18	19	20
<b>LX</b>	11438	2860	1271	715	458	318	233	179	141	114	95	79	68	58	51	45	40	35	32	29
<b>FT</b>	3.3	6.6	9.8	13.1	16.4	19.7	23	26.2	29.5	32.8	36.1	39.4	42.7	45.9	49.2	52.5	55.8	59.1	62.3	65.6
<b>FC</b>	1062.7	265.7	118.1	66.4	42.5	29.5	21.7	16.6	13.1	10.6	8.8	7.4	6.3	5.4	4.7	4.2	3.7	3.3	2.9	2.7

### Angular Distribution

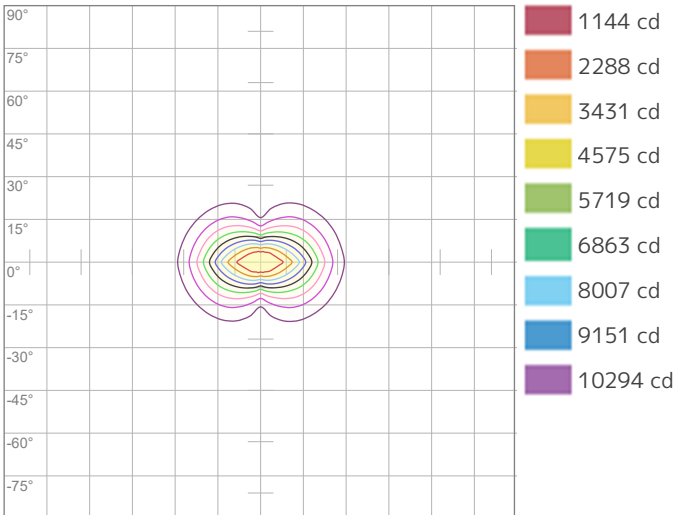


#### Plane A

#### Plane B

Beam Angle - 50%	Beam Angle - 50%
29.2°	39.9°
Field Angle - 10%	Field Angle - 10%
50°	65.1°
Cutoff Angle - 2.5%	Cutoff Angle - 2.5%
68.1°	82.3°

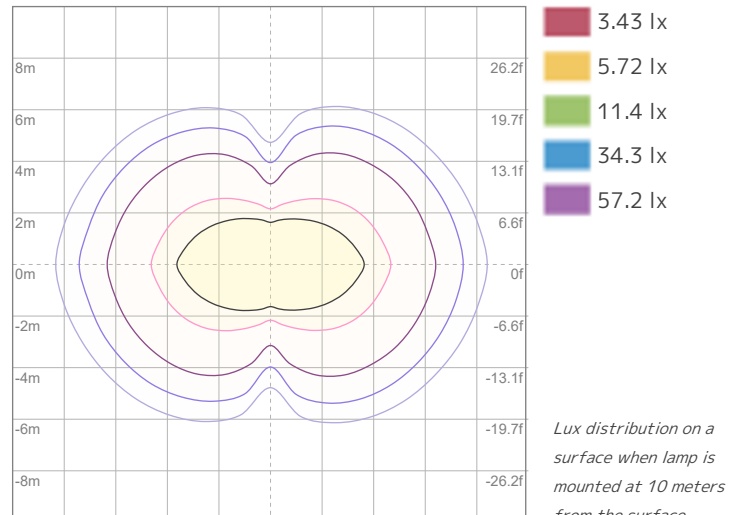
### ISO Diagrams



ISO Candela Diagram

Conditions:

Number of c-planes: 4  
Candela at center: 11438 cd



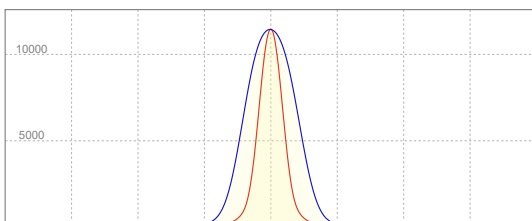
ISO LUX Diagram

Conditions:

Number of c-planes: 4  
LUX at center: 114 lx

*Lux distribution on a surface when lamp is mounted at 10 meters from the surface.*

### Linear Distribution



**Peak Candela**  
**11446 cd**

**Calculate Center Beam Intensities**

$$\text{lux} = 11446 / \text{distance(m)}^2$$

$$\text{fc} = 11446 / \text{distance(ft)}^2$$

### Key Measurements

#### Output

Total Lumen Output: 3713 lm  
Peak Intensity: 11965 cd

#### Beam

Beam Angle (50%): 29.2°x 39.9°  
Field Angle (10%): 50°x 65°  
Cutoff Angle (2.5%): 67.8°x 81.9°

#### Color

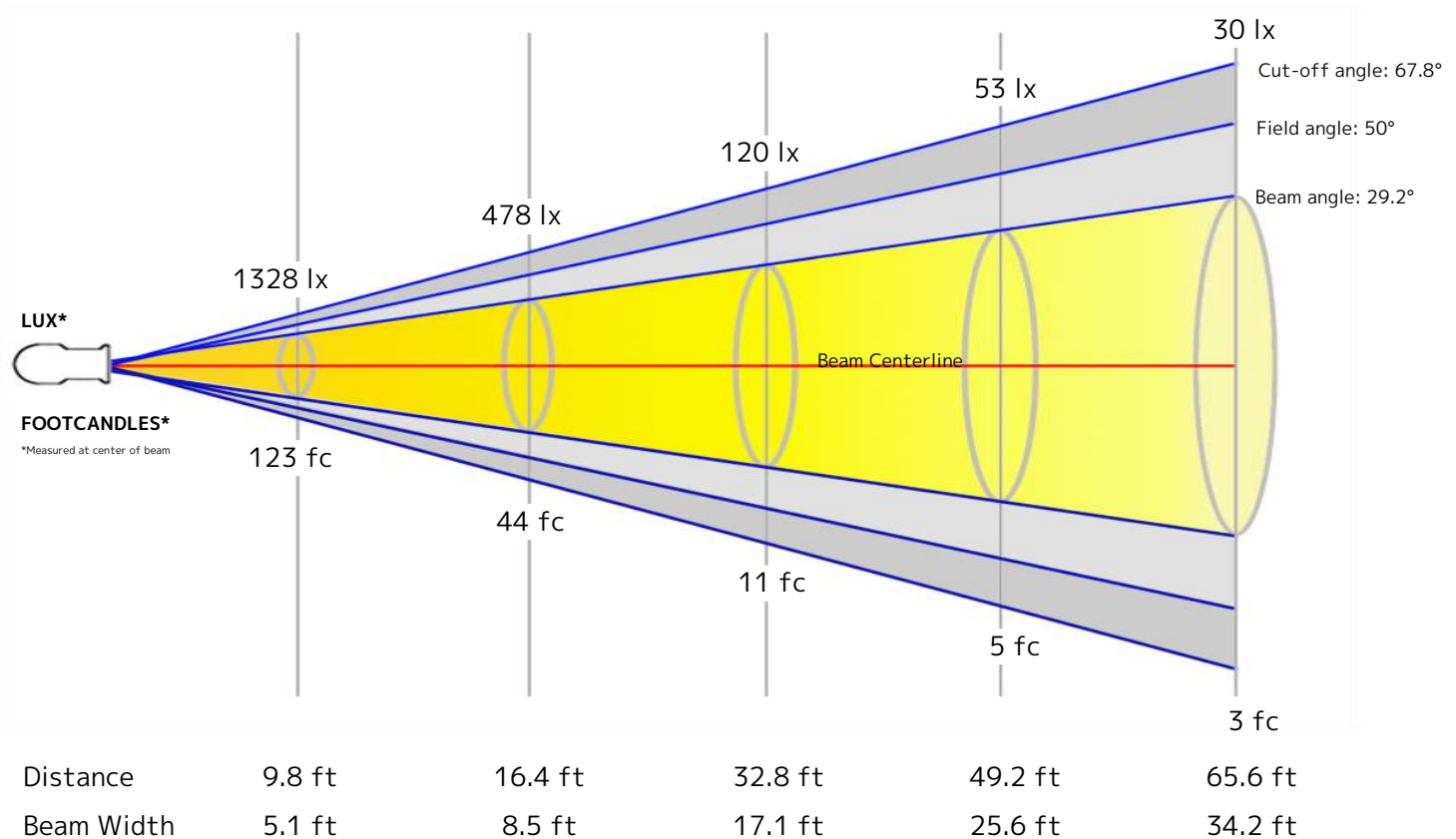
Color Temperature: 4534 K  
CRI: 90.5  
TLCI: 81  
TM30 R<sub>F</sub>: 90.3  
TM30 R<sub>g</sub>: 107.8

#### Power Details

Efficacy: 54 Lumen/Watt  
Power: 68.4 W  
Supply Voltage: 120 V  
Current: 0.578 A

### Beam Details

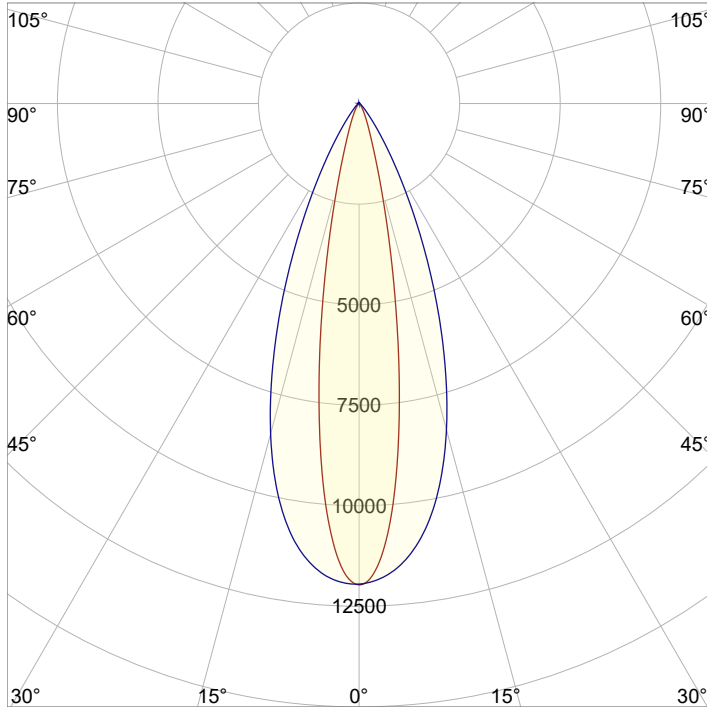
Distance	3 m	5 m	10 m	15 m	20 m
Beam Width	1.6 m	2.6 m	5.2 m	7.8 m	10.4 m



### Beam Intensities from 1-20m

M	1	2	3	4	5	6	7	8	9	10	11	12	13	14	15	16	17	18	19	20
<b>LX</b>	11953	2988	1328	747	478	332	244	187	148	120	99	83	71	61	53	47	41	37	33	30
<b>FT</b>	3.3	6.6	9.8	13.1	16.4	19.7	23	26.2	29.5	32.8	36.1	39.4	42.7	45.9	49.2	52.5	55.8	59.1	62.3	65.6
<b>FC</b>	1110.5	277.6	123.4	69.4	44.4	30.8	22.7	17.4	13.7	11.1	9.2	7.7	6.6	5.7	4.9	4.3	3.8	3.4	3.1	2.8

### Angular Distribution

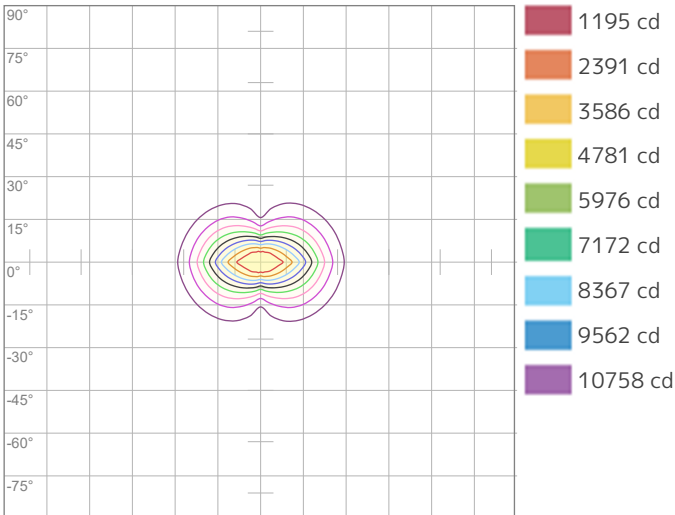


#### Plane A

#### Plane B

Beam Angle - 50%	Beam Angle - 50%
29.2°	39.9°
Field Angle - 10%	Field Angle - 10%
50°	65°
Cutoff Angle - 2.5%	Cutoff Angle - 2.5%
67.8°	81.9°

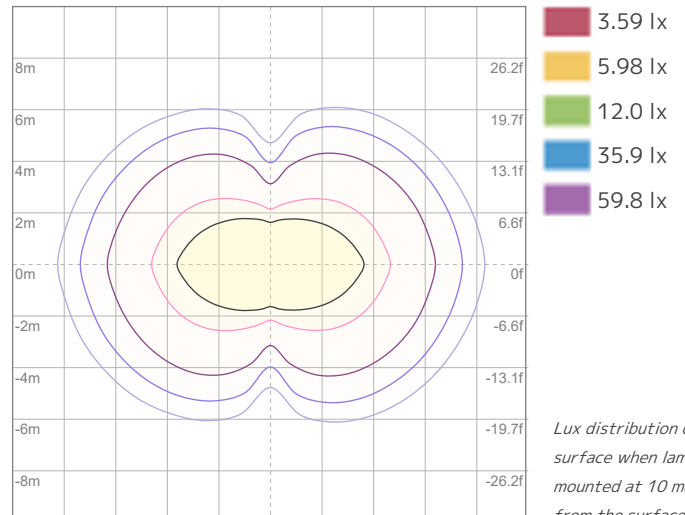
### ISO Diagrams



ISO Candela Diagram

Conditions:

Number of c-planes: 4  
Candela at center: 11953 cd



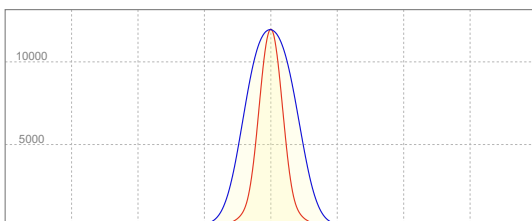
ISO LUX Diagram

Conditions:

Number of c-planes: 4  
LUX at center: 120 lx

*Lux distribution on a surface when lamp is mounted at 10 meters from the surface.*

### Linear Distribution



**Peak Candela**  
**11965 cd**

**Calculate Center Beam Intensities**

$$\text{lux} = 11965 / \text{distance(m)}^2$$

$$\text{fc} = 11965 / \text{distance(ft)}^2$$

## Key Measurements

### Output

Total Lumen Output: 4076 lm  
Peak Intensity: 12827 cd

### Beam

Beam Angle (50%): 29.3°x 40°  
Field Angle (10%): 50.3°x 65.3°  
Cutoff Angle (2.5%): 68.9°x 82.9°

### Color

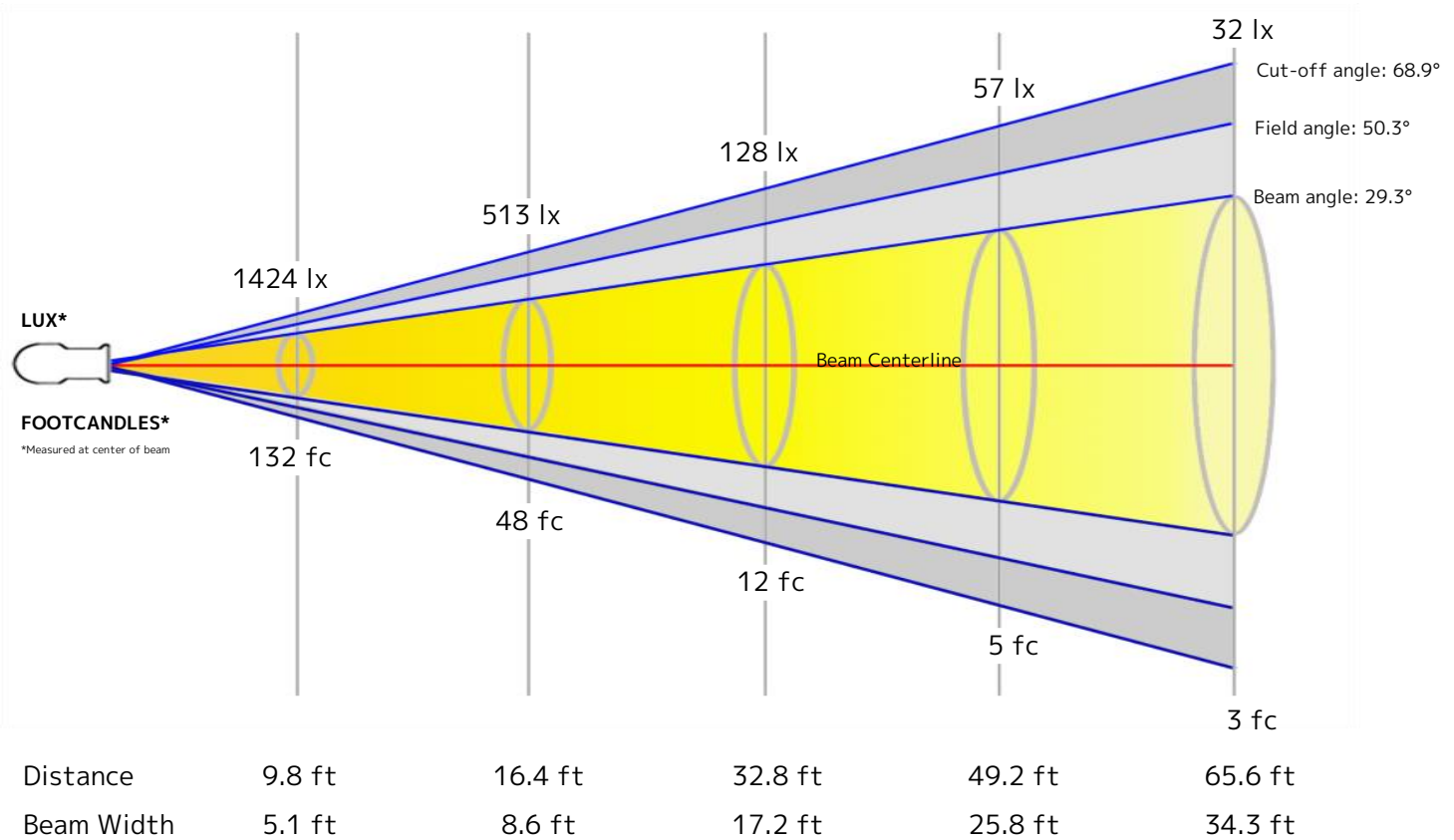
Color Temperature: 6514 K  
CRI: 89.1  
TLCI: 85  
TM30 R<sub>F</sub>: 88.4  
TM30 R<sub>g</sub>: 106.8

### Power Details

Efficacy: 54 Lumen/Watt  
Power: 75.3 W  
Supply Voltage: 120 V  
Current: 0.632 A

## Beam Details

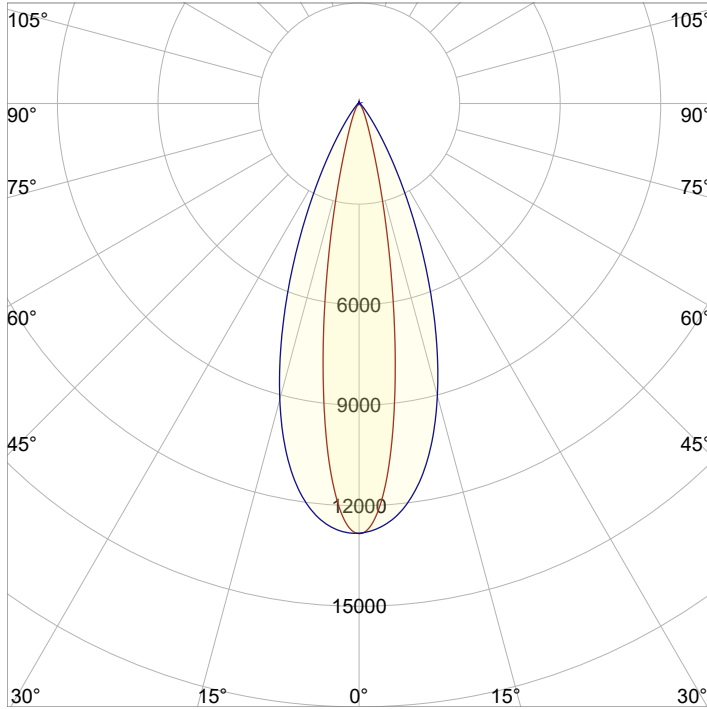
Distance	3 m	5 m	10 m	15 m	20 m
Beam Width	1.6 m	2.6 m	5.2 m	7.9 m	10.5 m



## Beam Intensities from 1-20m

M	1	2	3	4	5	6	7	8	9	10	11	12	13	14	15	16	17	18	19	20
<b>LX</b>	12817	3204	1424	801	513	356	262	200	158	128	106	89	76	65	57	50	44	40	36	32
<b>FT</b>	3.3	6.6	9.8	13.1	16.4	19.7	23	26.2	29.5	32.8	36.1	39.4	42.7	45.9	49.2	52.5	55.8	59.1	62.3	65.6
<b>FC</b>	1190.7	297.7	132.3	74.4	47.6	33.1	24.3	18.6	14.7	11.9	9.8	8.3	7	6.1	5.3	4.7	4.1	3.7	3.3	3

### Angular Distribution

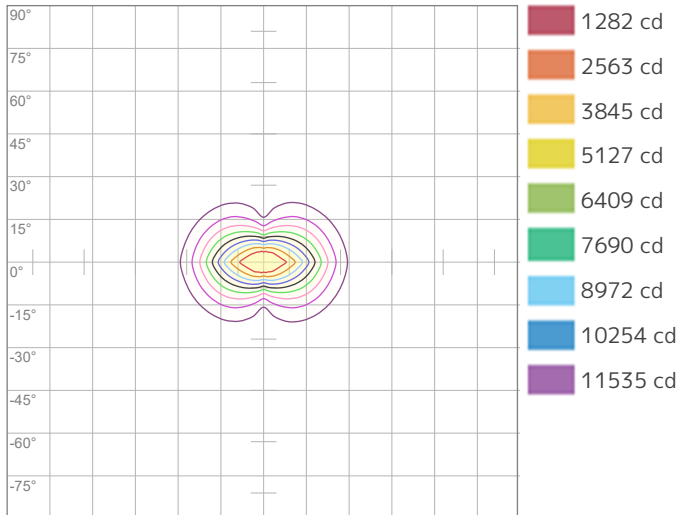


#### Plane A

#### Plane B

Beam Angle - 50%	Beam Angle - 50%
29.3°	40°
Field Angle - 10%	Field Angle - 10%
50.3°	65.3°
Cutoff Angle - 2.5%	Cutoff Angle - 2.5%
68.9°	82.9°

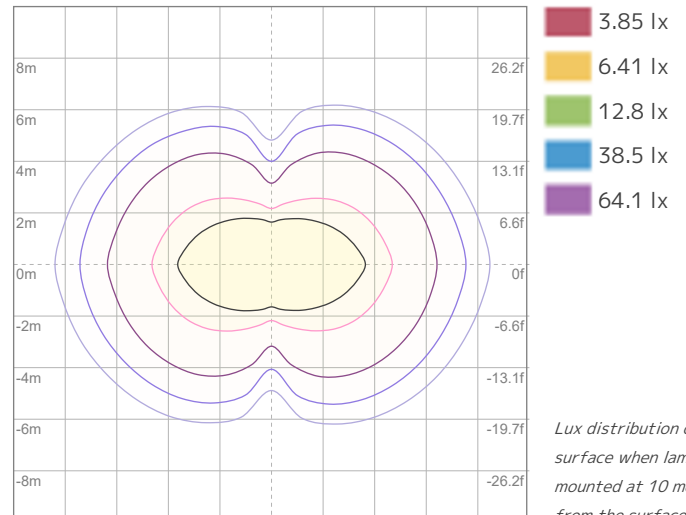
### ISO Diagrams



ISO Candela Diagram

Conditions:

Number of c-planes: 4  
Candela at center: 12817 cd



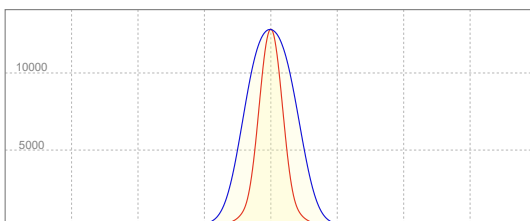
ISO LUX Diagram

Conditions:

Number of c-planes: 4  
LUX at center: 128 lx

*Lux distribution on a surface when lamp is mounted at 10 meters from the surface.*

### Linear Distribution



**Peak Candela**  
**12827 cd**

**Calculate Center Beam Intensities**

$$\text{lux} = 12827 / \text{distance(m)}^2$$

$$\text{fc} = 12827 / \text{distance(ft)}^2$$



### Key Measurements

#### Output

Total Lumen Output: 3537 lm  
Peak Intensity: 2823 cd

#### Beam

Beam Angle (50%): 63.3°x 63.3°  
Field Angle (10%): 113.3°x 113.3°  
Cutoff Angle (2.5%): 141.5°x 141.5°

#### Color

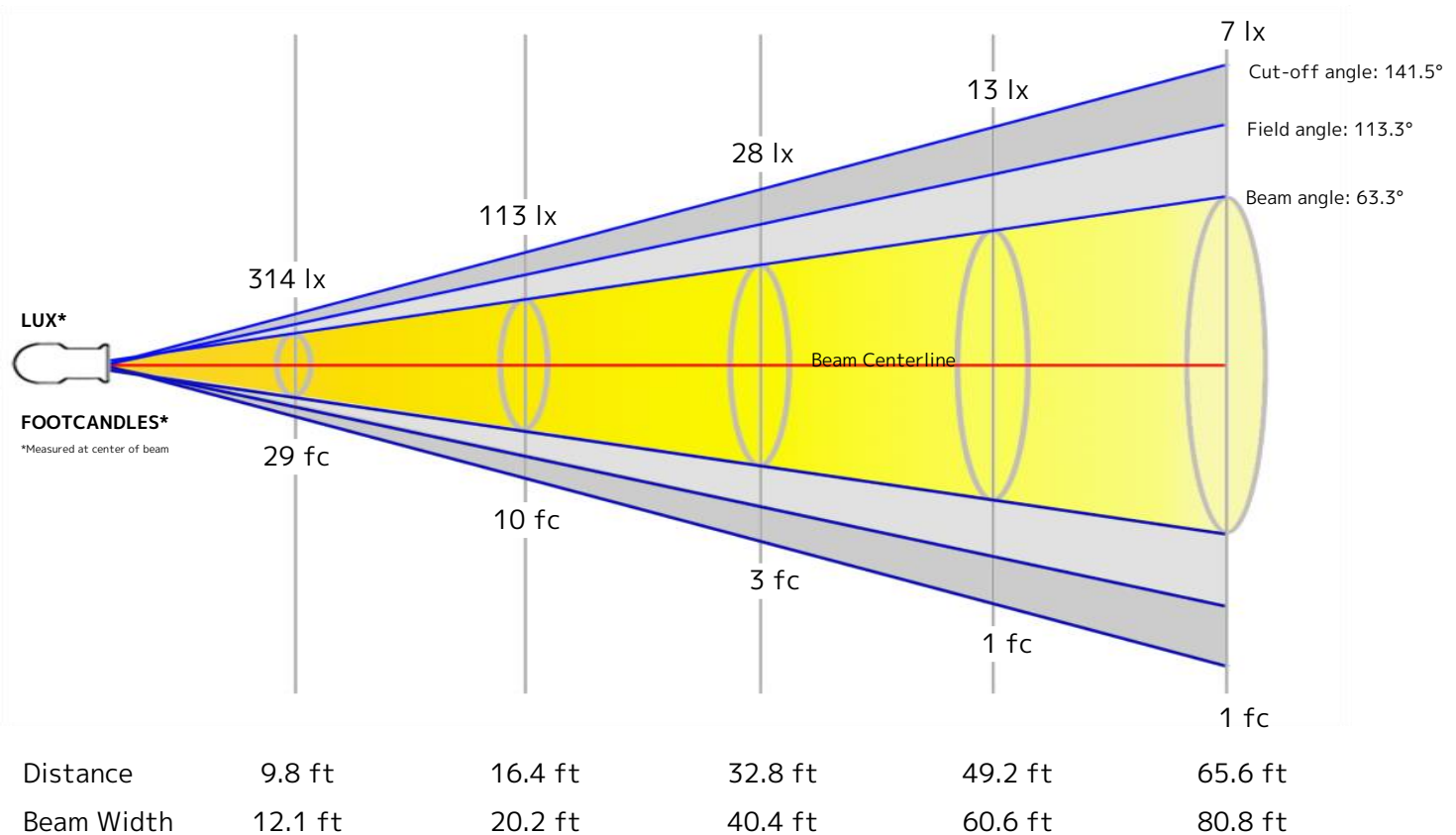
Color Temperature: 8487 K  
CRI: 87.8  
TLCI: 83  
TM30 R<sub>F</sub>: 86.8  
TM30 R<sub>g</sub>: 105.3

#### Power Details

Efficacy: 48 Lumen/Watt  
Power: 74.1 W  
Supply Voltage: 119 V  
Current: 0.630 A

### Beam Details

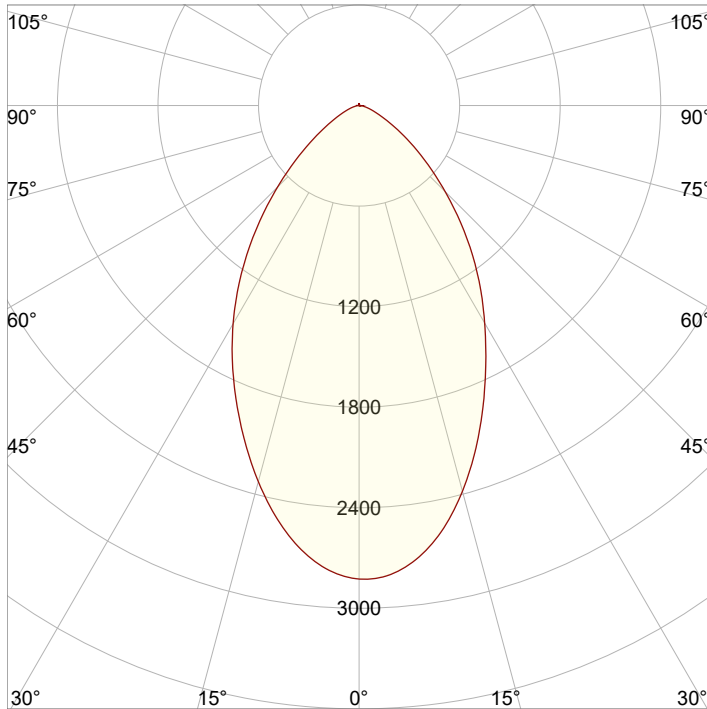
Distance	3 m	5 m	10 m	15 m	20 m
Beam Width	3.7 m	6.2 m	12.3	18.5 m	24.6 m



### Beam Intensities from 1-20m

M	1	2	3	4	5	6	7	8	9	10	11	12	13	14	15	16	17	18	19	20
<b>LX</b>	2822	706	314	176	113	78	58	44	35	28	23	20	17	14	13	11	10	9	8	7
<b>FT</b>	3.3	6.6	9.8	13.1	16.4	19.7	23	26.2	29.5	32.8	36.1	39.4	42.7	45.9	49.2	52.5	55.8	59.1	62.3	65.6
<b>FC</b>	262.2	65.5	29.1	16.4	10.5	7.3	5.4	4.1	3.2	2.6	2.2	1.8	1.6	1.3	1.2	1	0.9	0.8	0.7	0.7

### Angular Distribution

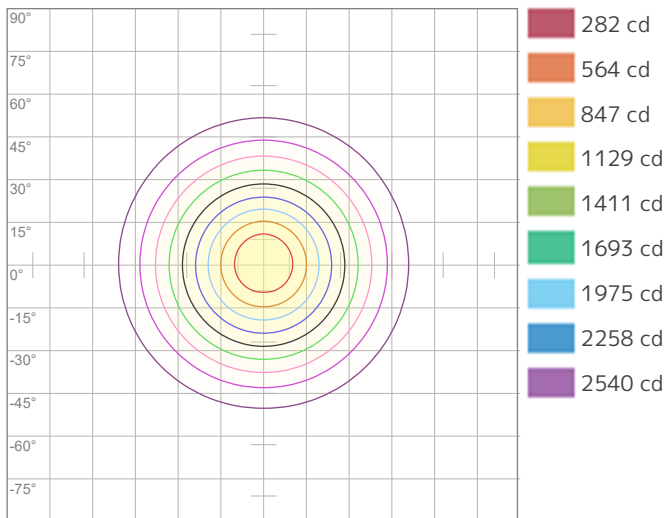


#### Plane A

#### Plane B

Beam Angle - 50%	Beam Angle - 50%
63.3°	63.3°
Field Angle - 10%	Field Angle - 10%
113.3°	113.3°
Cutoff Angle - 2.5%	Cutoff Angle - 2.5%
141.5°	141.5°

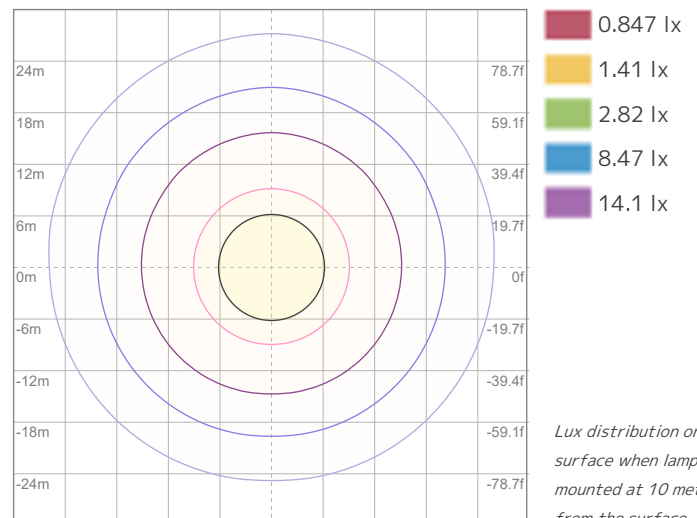
### ISO Diagrams



ISO Candela Diagram

Conditions:

Number of c-planes: 2  
Candela at center: 2822 cd



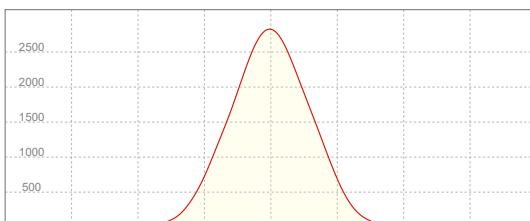
ISO LUX Diagram

Conditions:

Number of c-planes: 2  
LUX at center: 28.2 lx

*Lux distribution on a surface when lamp is mounted at 10 meters from the surface.*

### Linear Distribution



**Peak Candela**  
**2823 cd**

**Calculate Center Beam Intensities**

$$\text{lux} = 2823 / \text{distance(m)}^2$$

$$\text{fc} = 2823 / \text{distance(ft)}^2$$