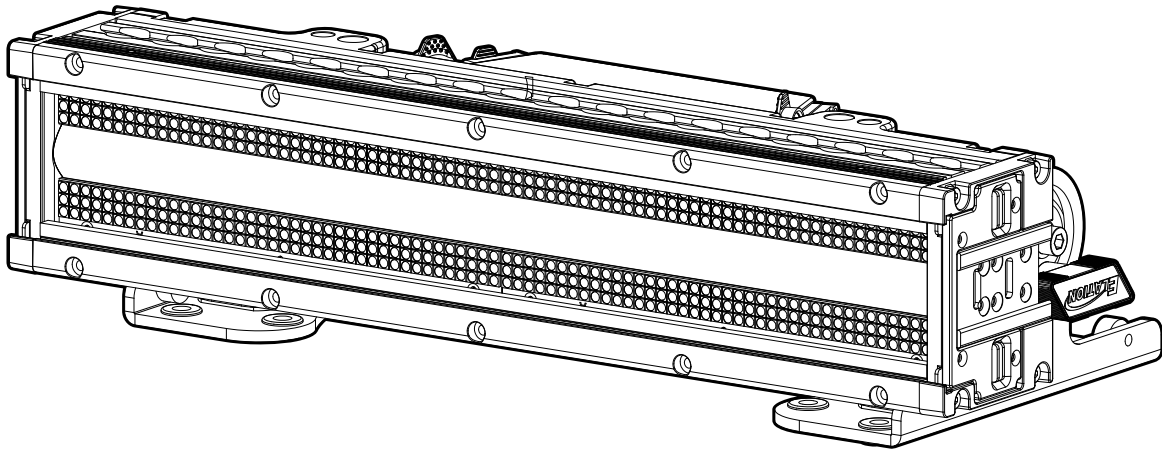


ELATION[®]



PULSEBAR S User Manual

©2024 **ELATION PROFESSIONAL** all rights reserved. Information, specifications, diagrams, images, and instructions herein are subject to change without notice. ELATION PROFESSIONAL logo and identifying product names and numbers herein are trademarks of ELATION PROFESSIONAL. Copyright protection claimed includes all forms and matters of copyrightable materials and information now allowed by statutory or judicial law or hereinafter granted. Product names used in this document may be trademarks or registered trademarks of their respective companies and are hereby acknowledged. All non-ELATION brands and product names are trademarks or registered trademarks of their respective companies.

ELATION PROFESSIONAL and all affiliated companies hereby disclaim any and all liabilities for property, equipment, building, and electrical damages, injuries to any persons, and direct or indirect economic loss associated with the use or reliance of any information contained within this document, and/or as a result of the improper, unsafe, insufficient and negligent assembly, installation, rigging, and operation of this product.

Elation Professional USA | 6122 S. Eastern Ave. | Los Angeles, CA. 90040

323-582-3322 | www.elationlighting.com | info@elationlighting.com

Elation Professional B.V. | Junostraat 2 | 6468 EW Kerkrade, The Netherlands

+31 45 546 85 66 | +31 45 546 85 96 fax | www.elationlighting.eu | info@elationlighting.eu

Elation Professional Mexico | AV Santa Ana 30 | Parque Industrial Lerma, Lerma, Mexico 52000

+52 (728) 282-7070

DOCUMENT VERSION



Due to additional product features and/or enhancements, an updated version of this document may be available online. Please scan the QR Code with your mobile device or visit www.elationlighting.com for the latest revision/update of this manual, before installation and/or programming.

| Date | Document Version | Software Version | DMX Channel Mode | Notes |
|----------|------------------|------------------|------------------------------|--|
| 05/29/24 | 1.0 | 1.01 | 3/11/22/34/52/124/77/132/110 | Initial Release |
| 07/09/24 | 1.1 | N/C | No Change | Updated Dimensional Drawings, Specifications |
| 08/19/24 | 1.2 | 1.02 | No Change | Updated IP Test Parameters, System Menu, DMX Traits, Dimensional Drawing, Specifications |
| 09/12/24 | 1.3 | N/C | No Change | Added ETL approval |
| 09/23/24 | 1.4 | N/C | No Change | Updated Installation Guidelines |

CONTENTS

| | |
|---|-----------|
| General Information | 4 |
| IP65 Rated | 5 |
| Warranty Returns (USA Only) | 6 |
| Safety Guidelines | 7 |
| Overview | 9 |
| Torque Settings for Screws | 10 |
| IP Test Parameters | 11 |
| Installation Guidelines | 12 |
| Accessory Installation | 20 |
| Remote Device Management (RDM) | 22 |
| Pulse Bar S Feature Guide | 23 |
| System Menu/Software Updates | 24 |
| Dimmer Modes & Curves | 25 |
| DMX Traits | 28 |
| Zone Layouts | 37 |
| Error Codes | 38 |
| Maintenance Guidelines | 39 |
| Specifications | 40 |
| Ordering Information Error Codes | 42 |

GENERAL INFORMATION

INTRODUCTION

Please read and understand the instructions in this manual carefully and thoroughly before attempting to operate this device. These instructions contain important safety and use information. **This device is intended for use by trained personnel only, and is not suitable for private use.**

UNPACKING

Every device has been thoroughly tested and has been shipped in perfect operating condition. Carefully check the shipping carton for damage that may have occurred during shipping. If the carton is damaged, carefully inspect the device for damage, and be sure all accessories necessary to install and operate the device have arrived intact. In the event damage has been found or parts are missing, please contact our customer support team for further instructions. Please do not return this device to your dealer without first contacting customer support. Please do not discard the shipping carton in the trash. Please recycle whenever possible.

BOX CONTENTS

- Safety Cable
- IP65 Locking Power Cable
- Fixture Interconnect Splice

CUSTOMER SUPPORT

Contact ELATION Service for any product related service and support needs. Also visit forums.elationlighting.com with questions, comments, or suggestions.

ELATION SERVICE USA - Monday - Friday 8:00am to 4:30pm PST
323-582-3322 | support@elationlighting.com

ELATION SERVICE EUROPE - Monday - Friday 08:30 to 17:00 CET
+31 45 546 85 63 | Fax +31 45 546 85 96 | support@elationlighting.eu

REPLACEMENT PARTS please visit parts.elationlighting.com



IMPORTANT NOTICE!

THERE ARE NO USER SERVICEABLE PARTS INSIDE THIS UNIT. DO NOT ATTEMPT ANY REPAIRS YOURSELF; DOING SO WILL VOID YOUR MANUFACTURER'S WARRANTY. DAMAGES RESULTING FROM MODIFICATIONS TO THIS FIXTURE AND/OR THE DISREGARD OF SAFETY INSTRUCTIONS AND GUIDELINES IN THIS MANUAL VOID THE MANUFACTURER'S WARRANTY AND ARE NOT SUBJECT TO ANY WARRANTY CLAIMS AND/OR REPAIRS.

IP65 RATED

The **International Protection (IP)** rating system is commonly expressed as “**IP**” (Ingress Protection) followed by two numbers (i.e. IP65), where the numbers define the degree of protection. The first digit (Foreign Bodies Protection) indicates the extent of protection against particles entering the fixture, and the second digit (Water Protection) indicates the extent of protection against water entering the fixture. An **IP65** rated lighting fixture is designed and tested to protect against the ingress of dust (**6**), and low-pressure water jets from any direction (**5**).

NOTE: THIS FIXTURE IS INTENDED FOR TEMPORARY OUTDOOR USE ONLY!

Maritime/Coastal Environment Installations: A coastal environment is seaside adjacent, and caustic to electronics through exposure to atomized salt-water and humidity, whereas maritime is anywhere within 5-miles of a coastal environment.



NOT suitable for maritime/coastal environment installations. Installing this fixture in a maritime/coastal environment may cause corrosion and/or excessive wear to the interior and/or exterior components of the fixture. Damages and/or performance issues resulting from installation in a maritime/coastal environment will void the manufactures warranty, and will NOT be subject to any warranty claims and/or repairs.

Maritime installations require additional preparation, and additional service intervals may be needed given the maritime use. In general, IP ratings presuppose freshwater conditions VS maritime conditions, which are typically more “caustic” to IP fixtures (both internally and externally). A duty-cycle may also be needed when units are not in use. During times of high humidity and colder temperatures, condensation may occur internally so the fixture may require a duty-cycle to bring it up to running temperature, allowing any accumulation of moisture to be expelled via the vent valve. Recommendations can change based on installation environmental circumstances. A waterproof dome or similar device is recommended for use in permanent outdoor installations. When using a dome, refer to manufacturer recommendations for duty-cycle.

NOTE: NOT ALL FEATURES LISTED ARE AVAILABLE ON ALL FIXTURES; THE FOLLOWING INSTRUCTIONS MAY NOT APPLY. CONTACT SUPPORT FOR ADDITIONAL DETAILS.

Exterior Maintenance: Inspect the exterior every 30-days. The unit must be powered off/disconnected. The chassis should be inspected for any signs of contaminants. Inspect optics to determine if the lens is obstructed, then clean optics and chassis accordingly. Based on initial finding, schedule maintenance accordingly, keeping in mind that exterior maintenance will be required. Even if the luminaires are NOT in use, maintenance will still be needed given its location (exterior use). The use of a durable type of wax on the chassis is recommended since it will help prevent contaminant build up. Inspect both power and data lines for any signs of contaminants or corrosion. Periodically reapplying di-electric grease, especially in coastal environments. If any signs of corrosion/contaminants are present, clean thoroughly, and/or replace connectors, then reapply di-electric grease. Typically, this should be done annually, or any time an opportunity presents itself. As a preventive measure, annual replacement of both vent valves is recommended. The vent valve membrane can become contaminated and/or clogged causing improper venting of humidity within the luminaire. Inspect all mounting hardware as a precaution.

Interior Maintenance: Inspect the interior every 30-days. The unit must be powered off/disconnected.

- Inspect zoom/focus mechanism, clean optics, lubricate linear bearings (Krytox oil) as needed, inspect belts for wear
- Inspect all rotating effect wheels, manually rotate them, note any resistance
- Inspect all remaining rotating belts for any wear
- Inspect all fans, clean as needed, check rotation, check connections
- Inspect CMY module, manually move flags and check for signs of resistance, and if needed, clean guide rods first, then reapply a thin layer of grease (moly lube)
- Clean interior with low-volume compressed air, then clean optics prior to reassembly of head covers

Although the base has limited moving parts, the pan belt should also be inspected for wear. Remember to always perform an IP test anytime a cover is removed.

There is no specific time frame regarding the routine replacement of parts such as belts/stepper motors, PCBs, or LEDs. These items should only be replaced on an as needed bases, except for cooling fans, which should be replaced once the luminaries reach 10,000-hours. This is a prophylactic measure intended to keep the unit running as cool as possible, insuring proper function of all internal components. A complete service breakdown is available, please contact service@elationlighting.com for any needed parts or manuals.

LIMITED WARRANTY (USA ONLY)

- A. Elation Professional hereby warrants, to the original purchaser, Elation Professional products to be free of manufacturing defects in material and workmanship for a period of two years (730 days), and Elation Professional product rechargeable batteries to be free of manufacturing defects in material and workmanship for a period of six months (180 days), from the original date of purchase. This warranty excludes discharge lamps and all product accessories. This warranty shall be valid only if the product is purchased within the United States of America, including possessions and territories. It is the owner's responsibility to establish the date and place of purchase by acceptable evidence, at the time service is sought.
- B. For warranty service, send the product only to the Elation Professional factory. All shipping charges must be pre-paid. If the requested repairs or service (including parts replacement) are within the terms of this warranty, Elation Professional will pay return shipping charges only to a designated point within the United States. If any product is sent, it must be shipped in its original package and packaging material. No accessories should be shipped with the product. If any accessories are shipped with the product, Elation Professional shall have no liability what so ever for loss and/or damage to any such accessories, nor for the safe return thereof.
- C. This warranty is void if the product serial number and/or labels are altered or removed; if the product is modified in any manner which Elation Professional concludes, after inspection, affects the reliability of the product; if the product has been repaired or serviced by anyone other than the Elation Professional factory unless prior written authorization was issued to purchaser by Elation Professional; if the product is damaged because not properly maintained as set forth in the product instructions, guidelines and/or user manual.
- D. This is not a service contract, and this warranty does not include any maintenance, cleaning or periodic check-up. During the periods as specified above, Elation Professional will replace defective parts at its expense, and will absorb all expenses for warranty service and repair labor by reason of defects in material or workmanship. The sole responsibility of Elation Professional under this warranty shall be limited to the repair of the product, or replacement thereof, including parts, at the sole discretion of Elation Professional. All products covered by this warranty were manufactured after January 1, 1990, and bare identifying marks to that effect.
- E. Elation Professional reserves the right to make changes in design and/or performance improvements upon its products without any obligation to include these changes in any products theretofore manufactured.
- F. No warranty, whether expressed or implied, is given or made with respect to any accessory supplied with the products described above. Except to the extent prohibited by applicable law, all implied warranties made by Elation Professional in connection with this product, including warranties of merchantability or fitness, are limited in duration to the warranty periods set forth above. And no warranties, whether expressed or implied, including warranties of merchantability or fitness, shall apply to this product after said periods have expired. The consumer's and/or dealer's sole remedy shall be such repair or replacement as is expressly provided above; and under no circumstances shall Elation Professional be liable for any loss and/or damage, direct and/or consequential, arising out of the use of, and/or the inability to use, this product.
- G. This warranty is the only written warranty applicable to Elation Professional products and supersedes all prior warranties and written descriptions of warranty terms and conditions heretofore published.

WARRANTY RETURNS

All returned service items whether under warranty or not, must be freight pre-paid and accompany a return authorization (R.A.) number. The R.A. number must be clearly written on the outside of the return package. A brief description of the problem as well as the R.A. number must also be written down on a piece of paper and included in the shipping container. If the unit is under warranty, you must provide a copy of your proof of purchase invoice. Items returned without a R.A. number clearly marked on the outside of the package will be refused and returned at customer's expense. You may obtain a R.A. number by contacting customer support.

SAFETY GUIDELINES

This fixture is a sophisticated piece of electronic equipment. To guarantee smooth operation, it is important to follow all instructions and guidelines in this manual. Elation Professional is not responsible for injury and/or damages resulting from the misuse of this fixture due to the disregard of the information printed in this manual. Only qualified and/or certified personnel should perform installation of this fixture and only the original rigging parts included with this fixture should be used for installation. Any modifications to the fixture and/or the included mounting hardware will void the original manufacturer's warranty and increase the risk of damage and/or personal injury.



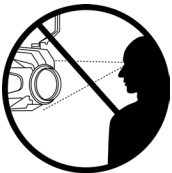
PROTECTION CLASS 1 - FIXTURE MUST BE PROPERLY GROUNDED.



THERE ARE NO USER SERVICEABLE PARTS INSIDE THIS UNIT. DO NOT ATTEMPT ANY REPAIRS YOURSELF. DOING SO WILL VOID YOUR MANUFACTURER'S WARRANTY. DAMAGES RESULTING FROM MODIFICATIONS TO THIS DEVICE AND/OR THE DISREGARD OF SAFETY INSTRUCTIONS AND GUIDELINES IN THIS MANUAL VOID THE MANUFACTURER'S WARRANTY AND ARE NOT SUBJECT TO ANY WARRANTY CLAIMS AND/OR REPAIRS.



**DO NOT PLUG THIS UNIT INTO A DIMMER PACK
DO NOT REMOVE THE COVER UNDER ANY CONDITIONS
NEVER OPERATE THIS UNIT WITH THE CASING REMOVED
UNPLUG FROM POWER DURING LONG PERIODS OF NON-USE
DISCONNECT POWER BEFORE PERFORMING MAINTENANCE**



**NEVER LOOK DIRECTLY INTO THE LIGHT SOURCE!
RETINA INJURY RISK - MAY INDUCE BLINDNESS!
SENSITIVE PERSONS MAY SUFFER AN EPILEPTIC SHOCK!**



**FIXTURE SHOULD BE PLACED A MINIMUM OF 1.0 FOOT (0.3 METERS) FROM ANY NEARLY OBJECTS OR SURFACES.
FIXTURE SHOULD BE PLACED A MINIMUM OF 1.6 FEET (0.5 METERS) FROM ANY FLAMMABLE MATERIALS.
MAXIMUM AMBIENT OPERATING TEMPERATURE IS 113°F (45°C)**

SAFETY GUIDELINES

! CAUTION

**HIGH
INTENSITY
ULTRAVIOLET
LIGHT**



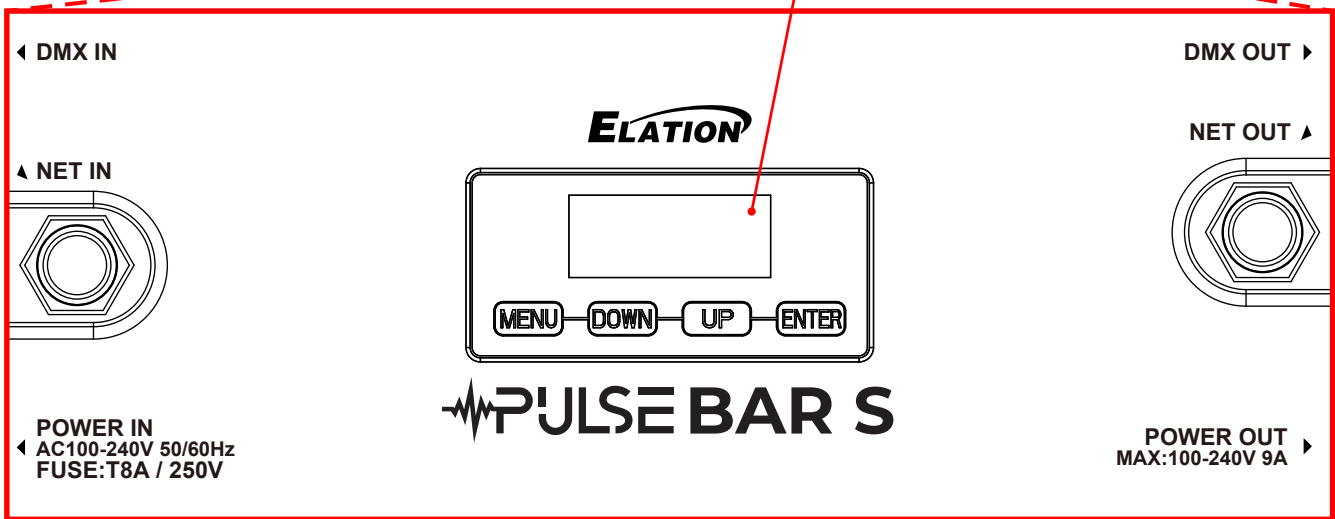
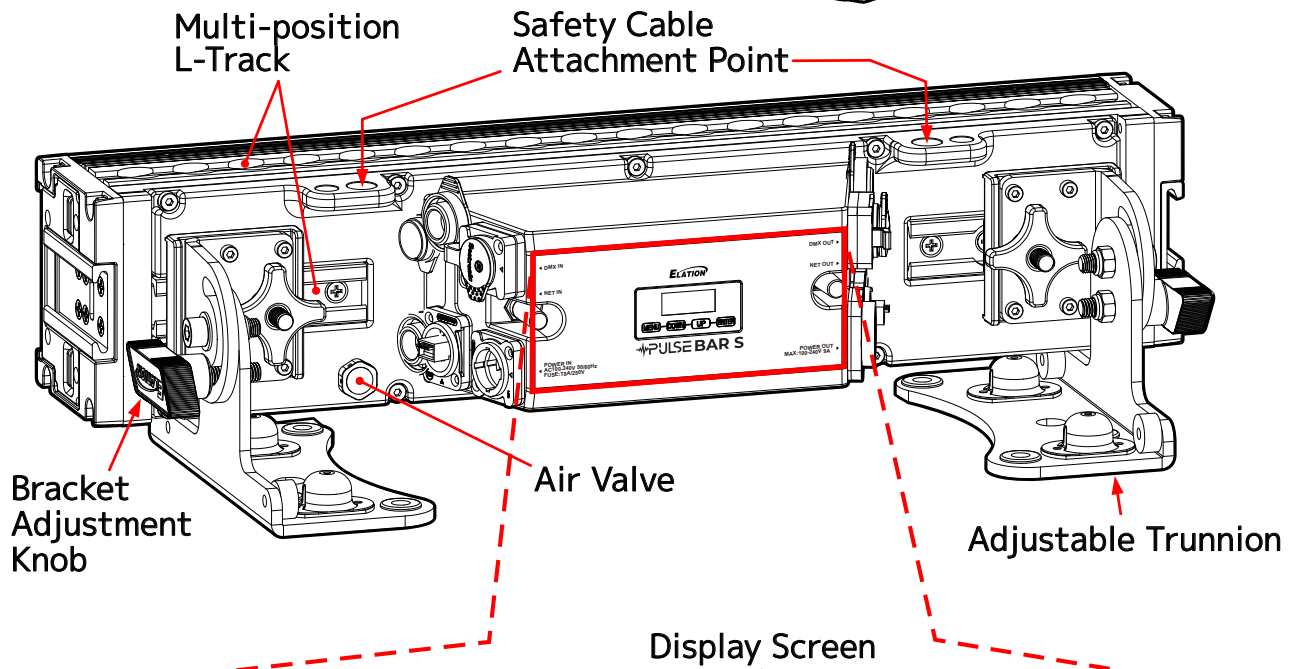
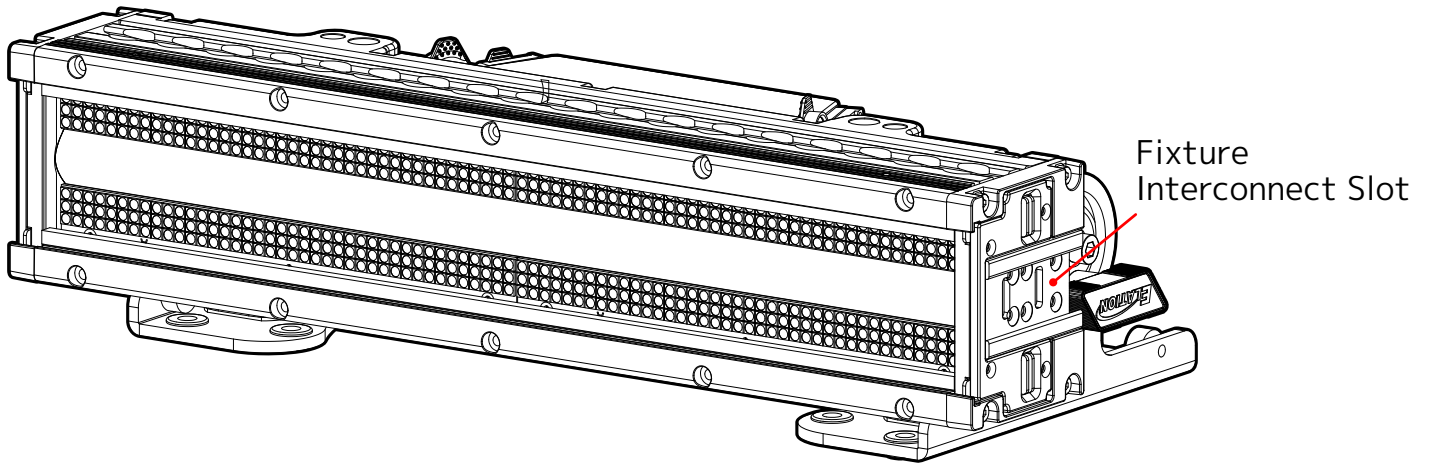
**AVOID DIRECT EYE & SKIN EXPOSURE.
WEAR PROPER EYE & SKIN PROTECTION.
SEE MANUAL FOR SAFETY INSTRUCTIONS.**

RISK GROUP 3 - RISK OF EXPOSURE TO ULTRAVIOLET UV RADIATION! FIXTURE EMITS HIGH INTENSITY WAVELENGTH OF ULTRAVIOLET UV LIGHT FROM THE UV COLOR FILTER. WEAR PROPER EYE AND SKIN PROTECTION. AVOID PROLONGED PERIODS OF EXPOSURE TO UV COLOR FILTER. AVOID WEARING WHITE COLOR CLOTHING AND/OR USING UV PAINTS ON SKIN. AVOID DIRECT EYE AND/OR SKIN EXPOSURE AT DISTANCES LESS THAN 10 feet (3m). DO NOT OPERATE FIXTURE WITH DAMAGED/MISSING EXTERNAL COVERS. DO NOT LOOK DIRECTLY INTO THE UV LIGHT AND/OR VIEW UV LIGHT DIRECTLY WITH OPTICAL INSTRUMENTS THAT MAY CONCENTRATE THE LIGHT/RADIATION OUTPUT.

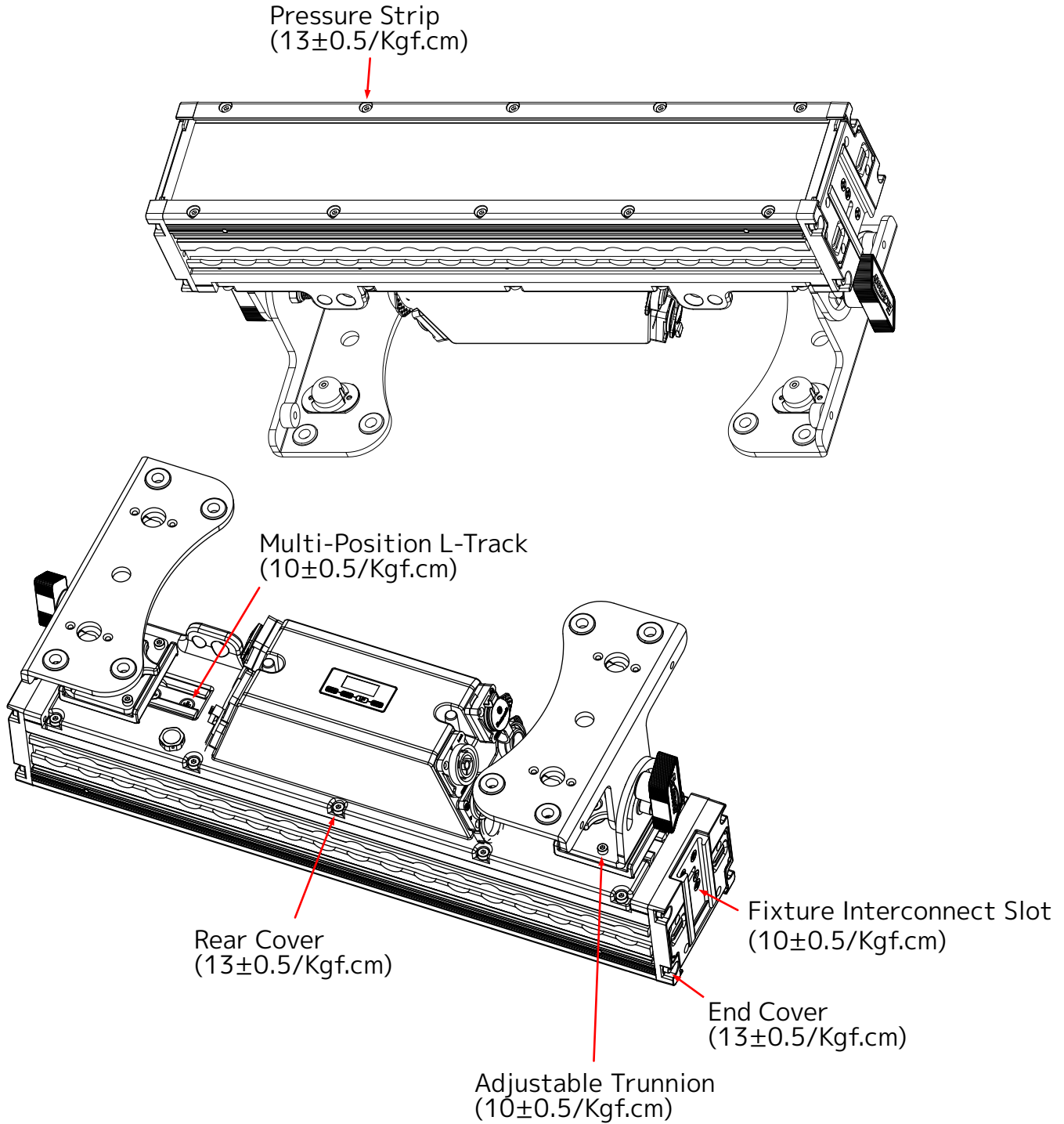
INDIVIDUALS SUFFERING FROM A RANGE OF EYE CONDITIONS, SUNLIGHT EXPOSURE DISORDERS, OR INDIVIDUALS USING PHOTSENSITIVE MEDICATION, MAY RECEIVE DISCOMFORT IF EXPOSED TO THE ULTRAVIOLET UV LIGHT EMITTED FROM THE UV LED.

- **DO NOT TOUCH** the fixture housing during operation. Turn OFF the power and allow approximately 15 minutes for the fixture to cool down before serving.
- **DO NOT** shake fixture, avoid brute force when installing and/or operating fixture.
- **DO NOT** operate fixture if the power cord is frayed, crimped damaged and/or if any of the power cord connectors are damaged and do not insert into the fixture securely with ease.
- **NEVER** force a power cord connector into the fixture. If the power cord or any of its connectors are damaged, replace it immediately with a new one of similar power rating.
- **DO NOT** block any air ventilation slots.
- All fan and air inlets must remain clean and never blocked.
- Allow approx.6”(15cm) between fixture and other devices or a wall for proper cooling.
- Always disconnect fixture from main power source before performing any type of service and/or cleaning procedure. Only handle the power cord by the plug end, never pull out the plug by tugging the wire portion of the cord.
- During the initial operation of this fixture, a light smoke or smell may emit from the interior of the fixture. This is a normal process and is caused by excess paint in the interior of the casing burning off from the heat associated with the lamp and will decrease gradually over time.
- Consistent operational breaks will ensure the fixture will function properly for many years.
- **ONLY** use the original packaging and materials to transport the fixture in for service.

OVERVIEW



TORQUE SETTINGS FOR SCREWS



**CAUTION! DO NOT OVER TORQUE SCREWS AS THIS CAN CAUSE LEAKAGE ISSUES!
TO CONFIRM THE IP65 INTEGRITY, TEST FIXTURE USING THE ELATION IP TESTER. CONTACT
ELATION SERVICE FOR MORE DETAILS.**

IP TEST PARAMETERS

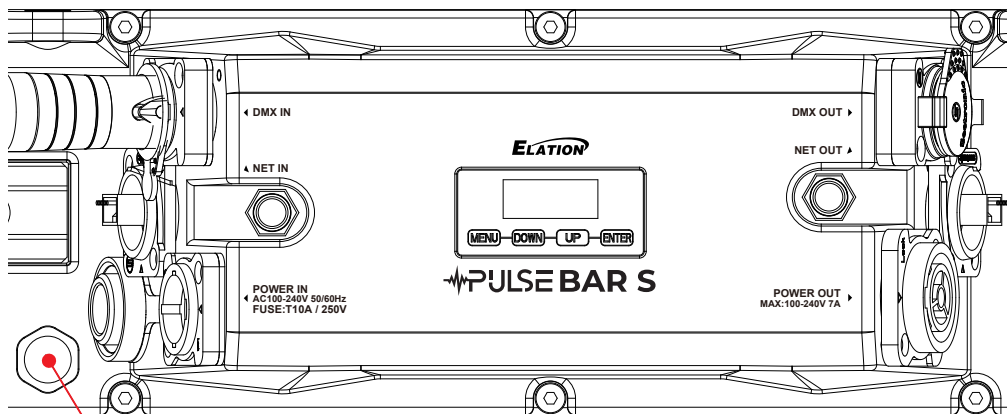
Following any repair or maintenance procedure that requires disassembly of the fixture, use Elation's IP Tester to confirm the IP integrity of the fixture. The air valve is located on the back panel next to the display screen, as shown in the diagram below. Please contact Elation Service for information regarding the Elation IP Tester, or visit the product information page online at: <https://www.elationlighting.com/ip-tester>



CAUTION! THE USE OF PROTECTIVE GLOVES AND SAFETY GOGGLES IS STRONGLY RECOMMENDED WHILE PERFORMING THE IP PRESSURE TEST! AVOID PLACING YOUR FACE, EYES, HANDS, ETC IN PROXIMITY TO THE LENS OF THE FIXTURE WHILE PERFORMING THE TEST!

DE-HUMIDIFICATION: IP65 fixtures operating in high-humidity environments may experience residual fogging or condensation. Such fogging will not affect the fixture, and can be removed using the following procedure: position the unit with the air valve pointing upwards, then open the air valve and run the unit for 1-2 hours after reaching operating temperature. Then, while the fixture is still hot, re-install the air valve and allow the unit to cool down. Please note: this procedure should be performed in a dry, climate-controlled environment. Avoid additional fogging by drying the fixture completely before placing into a road case.

| Elation Product | Minimum Value | | Maximum Value | | Inflation Time | Balance Time | Inspection Time | Leakage |
|---------------------|---------------|-----|---------------|-----|----------------|--------------|-----------------|---------|
| | Kpa | Psi | Kpa | Psi | S | S | S | Pa |
| Elation PULSE BAR S | 20 | 3 | 23 | 3 | 30 | 15 | 15 | >100 |



Air Valve



INSTALLATION GUIDELINES



FLAMMABLE MATERIAL WARNING

Keep fixture minimum 5.0 feet (1.5m) away from flammable materials and/or pyrotechnics.



ELECTRICAL CONNECTIONS

A qualified electrician should be used for all electrical connections and/or installations.



MINIMUM DISTANCE TO OBJECTS/SURFACES IS 1 FOOT (0.3 METERS)



MINIMUM DISTANCE OF FLAMMABLE MATERIALS FROM THE SURFACE IS 1.6 FEET (0.5 METER)



MAXIMUM AMBIENT TEMPERATURE 113° F (45°C)



DO NOT INSTALL THE FIXTURE IF YOU ARE NOT QUALIFIED TO DO SO!

Fixture **MUST** be installed following all local, national, and country commercial electrical and construction codes and regulations.

Before rigging/mounting a single fixture or multiple fixtures to any metal truss/structure or placing the fixture(s) on any surface, a professional equipment installer **MUST** be consulted to determine if the metal truss/structure or surface is properly certified to safely hold the combined weight of the fixture(s), clamps, cables, and accessories.

Fixture(s) should be installed in areas outside walking paths, seating areas, or away from areas where unauthorized personnel might reach the fixture by hand.

NEVER stand directly below the fixture(s) when rigging, removing, or servicing.

Overhead fixture installation must always be secured with a secondary safety attachment, such as an appropriately rated safety cable.

Allow approximately 15 minutes for the fixture to cool down before servicing.

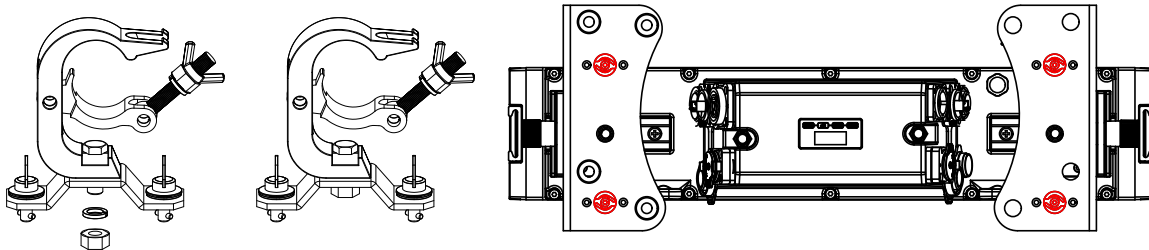
INSTALLATION GUIDELINES

CLAMP INSTALLATION

This device features a mounting clamp attachment point built into the Adjustable Trunnions, as well as a safety cable attachment point located on the bottom of the fixture.

OMEGA BRACKETS WITH CLAMP INSTALLATION

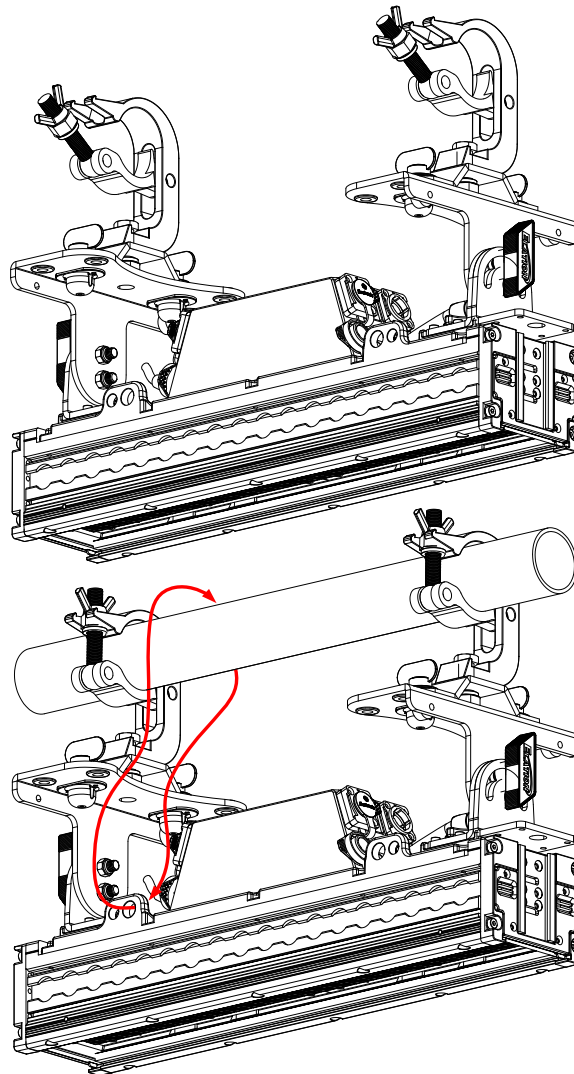
Insert the Omega Brackets into the matching holes on the Adjustable Trunnion. Secure the Omega Brackets to the fixture by turning each quick-lock fastener $\frac{1}{4}$ turn clockwise; making sure the fastener is completely locked.



SAFETY CABLE

ALWAYS ATTACH AN APPROPRIATELY RATED SAFETY CABLE WHENEVER INSTALLING THIS FIXTURE IN A SUSPENDED ENVIRONMENT TO ENSURE THE FIXTURE WILL NOT FALL IF THE CLAMP FAILS.

IF THE FIXTURES ARE PART OF A LARGER ARRAY, ATTACH A SAFETY CABLE TO THE SAFETY CABLE ATTACHMENT POINT ON THE BACK OF EACH FIXTURE. FOR RIGGING PURPOSES, SECURE THE TOP SAFETY CABLE TO A FIXED POINT AND LOOP EACH SUBSEQUENT SAFETY CABLE THROUGH THE ONE ABOVE IT.



MOUNTING THE FIXTURE ON A TRUSS USING CLAMPS WITH OMEGA BRACKETS

When mounting the fixture to a truss, be sure to secure an appropriately rated professional grade rigging clamp to the included **Omega Brackets** using an M10 or M12 screw fitted through the center hole of the **Omega Brackets**. The fixture provides a built-in rigging point for a **SAFETY CABLE** (not included). Be sure to use the designated rigging points for the safety cable and never secure a safety cable to a carrying handle.

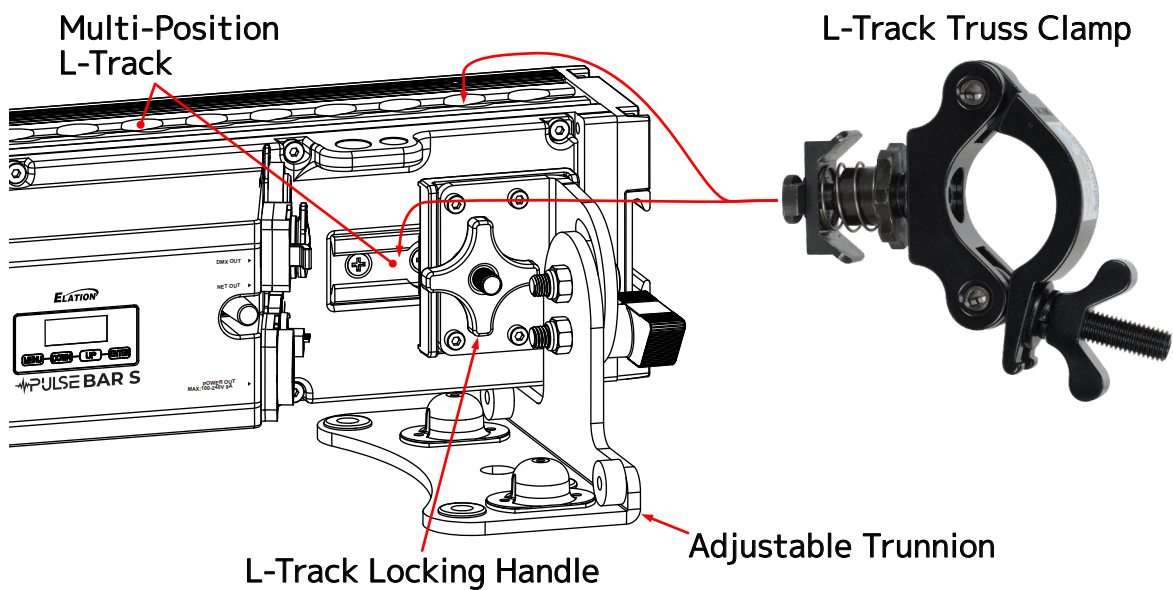
INSTALLATION GUIDELINES

L-TRACK MOUNTING

The L-track mounting system enables the user to slide the mounting clamps along the tracks and secure them in the desired position. The L-tracks are situated on the Rear, and along the sides of the fixture. Special L-track mounting clamps, which feature an L-track attachment rail instead of a mounting bolt hole, are available in both standard and extended lengths. Similarly, L-track adapters are also available, which can be fitted to any standard mounting clamp.

To attach an L-track clamp or adapter, simply insert the attachment rail into the matching track on the fixture, slide it to the desired location, and tighten the fastener knob on the attachment to ensure it is securely in place.

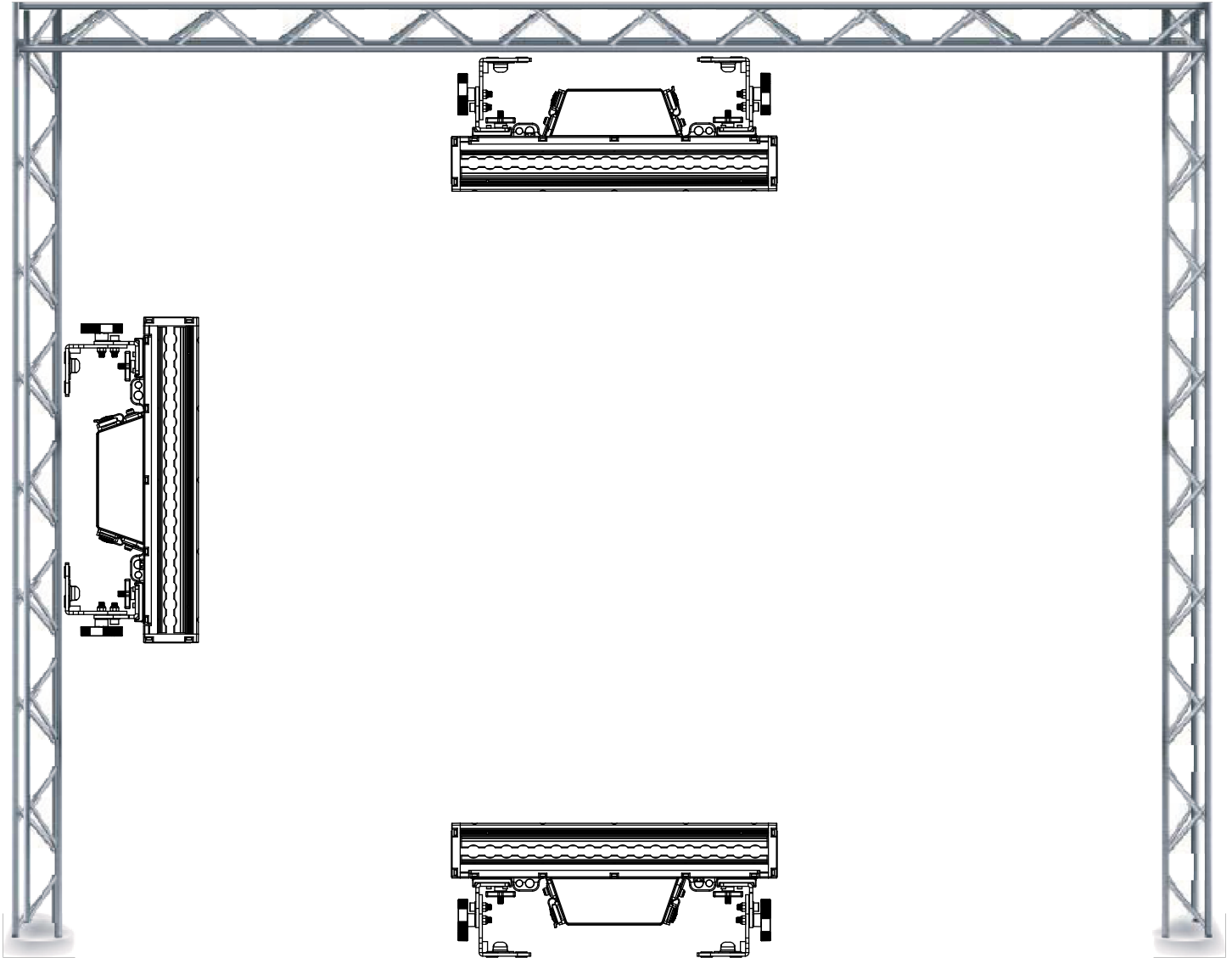
When utilizing the L-track for rigging, the maximum capacity is 8 fixtures, or 187 lbs (84.82 kg).



INSTALLATION GUIDELINES

FIXTURE INSTALLATION

The Elation PULSE BAR S is fully operational in three different mounting positions, hanging upside-down, mounted sideways on trussing, or set on a flat level surface. Always use and install the supplied safety cable as a safety measure to prevent accidental damage and/or injury in the event the clamp fails.



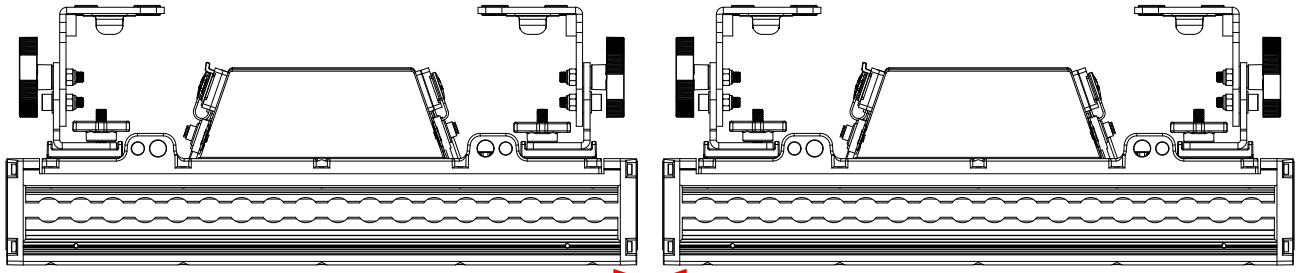
FALLING FIXTURES CAN CAUSE SEVERE INJURY OR SERIOUS EQUIPMENT DAMAGE! FOR THIS REASON, FIXTURES SHOULD BE INSTALLED AND INSPECTED ONLY BY QUALIFIED PERSONNEL. DO NOT INSTALL THE UNIT IF YOU LACK THE QUALIFICATIONS TO DO SO, OR IF YOU HAVE DOUBTS ABOUT THE SAFETY AND SECURITY OF THE INSTALLATION SETUP OR LOCATION!



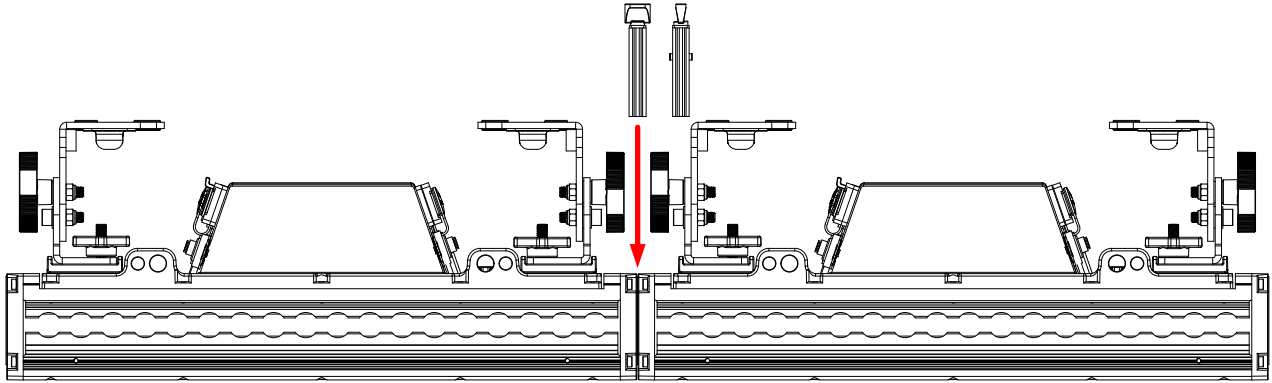
ALWAYS ATTACH A SAFETY CABLE WHENEVER INSTALLING THIS FIXTURE IN A SUSPENDED ENVIRONMENT TO ENSURE THE FIXTURE WILL NOT FALL IF THE CLAMP FAILS.

INSTALLATION GUIDELINES

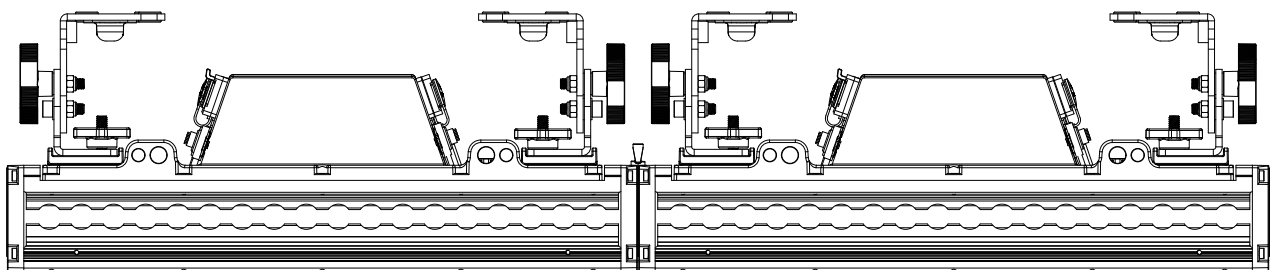
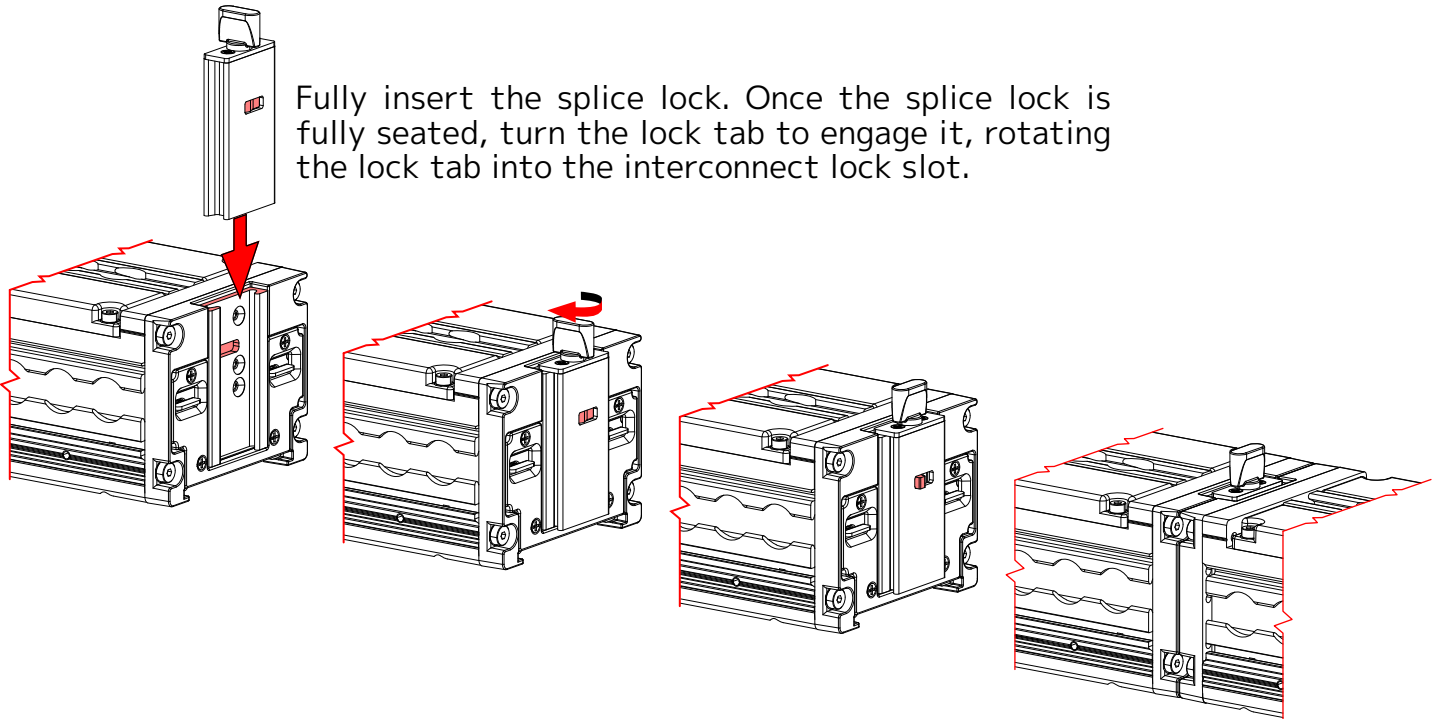
FIXTURE INTERCONNECTORS



To connect the fixtures end-to-end, ensure that the interconnect slots are flush.



Fully insert the splice lock. Once the splice lock is fully seated, turn the lock tab to engage it, rotating the lock tab into the interconnect lock slot.



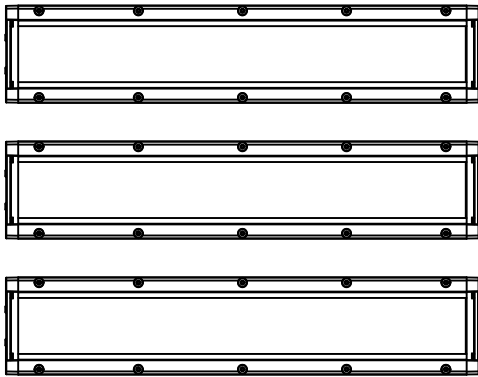
INSTALLATION GUIDELINES

RIGGING LIMIT

ATTENTION! It is crucial to ensure that any arrangement consisting of multiple interconnected fixtures, whether in a vertical, horizontal, or shaped configuration, is securely and properly supported and fixed to prevent any movement that may arise from lateral forces, such as wind or physical contact with a person or other object.

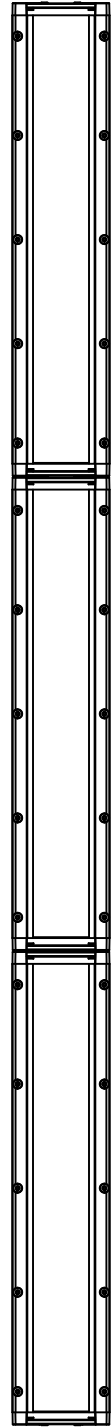
HORIZONTAL SUSPENSION

When utilizing the provided Trunnions for rigging in a horizontal array orientation, the maximum capacity is 4 fixtures, or 96 lbs (43.54 kg). However, if employing the L-Track for rigging in the same orientation, the maximum capacity increases to 8 fixtures, or 187 lbs (84.82 kg).



VERTICAL SUSPENSION

When rigging vertically with Interconnect Splices to connect fixtures, the maximum capacity is 8 fixtures, or 187 lbs (84.82 kg).



INSTALLATION GUIDELINES

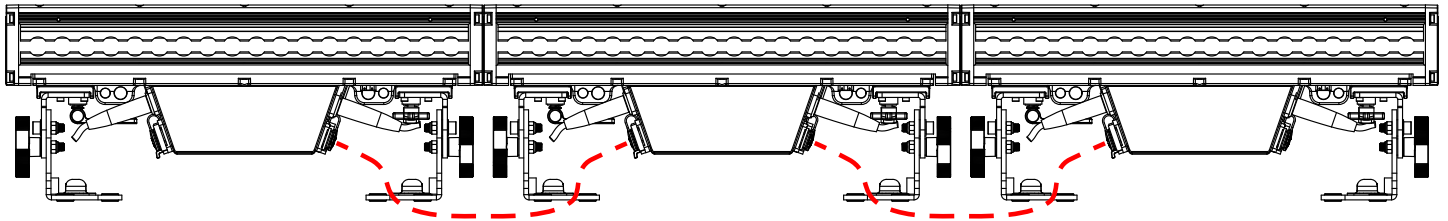
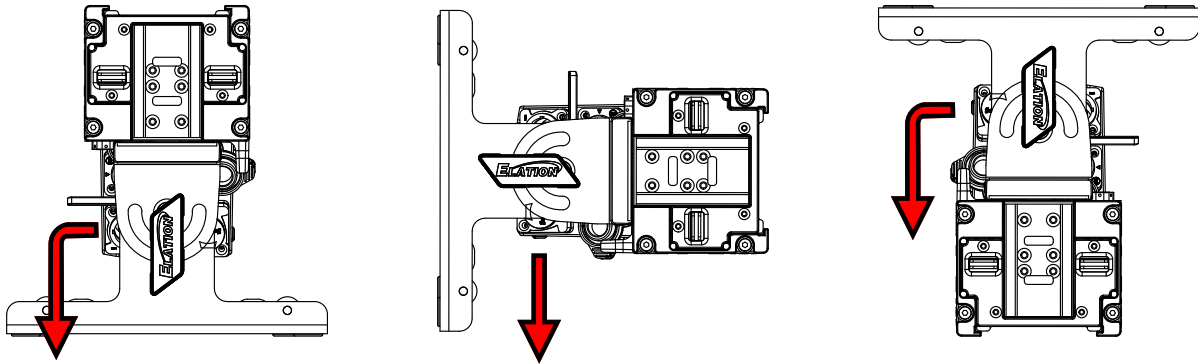
ART-NET | sACN CONNECTION

When connecting fixture to a network switch to control multiple devices, a Gigabit Ethernet Switch that supports IGMP (Internet Group Management Protocol) is required. Using a Gigabit Ethernet Switch that does not support IGMP can cause erratic behavior of all connected devices to the switch.

POWER AND DATA CABLES



REGARDLESS OF FIXTURE ORIENTATION, TO MAINTAIN THE IP65 RATING INTEGRITY OF THE FIXTURE, ALL CABLES MUST BE ROUTED TOWARDS THE GROUND TO PREVENT WATER ACCUMULATION AROUND THE CONNECTIONS.



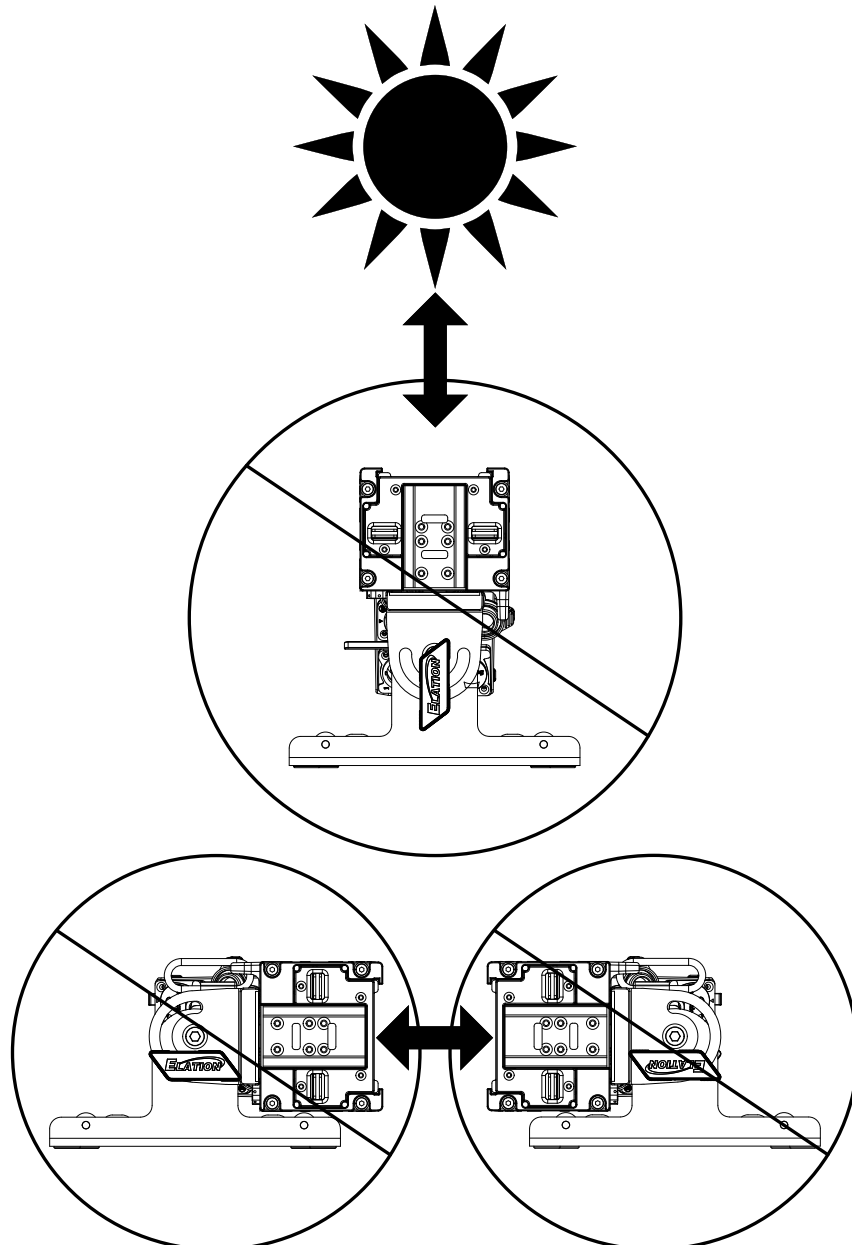
INSTALLATION GUIDELINES

POTENTIAL INTERNAL FIXTURE DAMAGE FROM EXTERNAL SOURCES OF LIGHT BEAMS

External sources of light beams from direct sunlight, lighting moving head fixtures, and lasers, which are focused directly towards the exterior housing and/or penetrate the front lens opening of ELATION lighting fixtures, can cause severe internal damage including burning to optics, dichroic color filters, glass and metal gobos, prisms, animation wheels, frost filters, iris, shutters, motors, belts, wiring, discharge lamps, and LEDs.

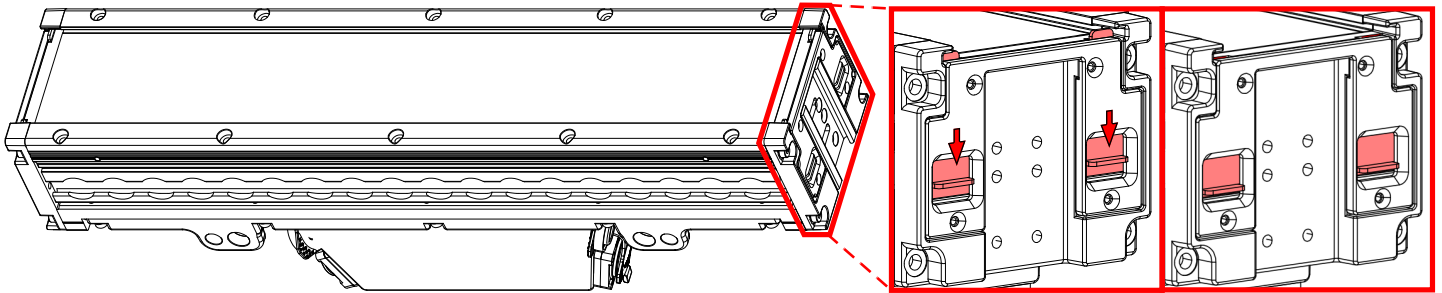
This issue is not specific only to ELATION lighting fixtures, it is a common issue with lighting fixtures from all manufacturers. Although there is no true way to fully prevent this issue from happening, the guidelines below can prevent any potential damage from occurring if followed. Contact ELATION Service for more details.

DO NOT EXPOSE THE FIXTURE AND/OR FRONT LENS OPENING TO LIGHT BEAMS FROM DIRECT SUNLIGHT, OTHER LIGHTING MOVING HEAD FIXTURES, AND LASERS WHILE UNPACKING, INSTALLATION, USE, AND EXTENDED IDLE TIMES OUTDOORS. DO NOT FOCUS A LIGHT BEAM FROM ONE LIGHTING FIXTURE DIRECTLY TOWARDS ANOTHER.

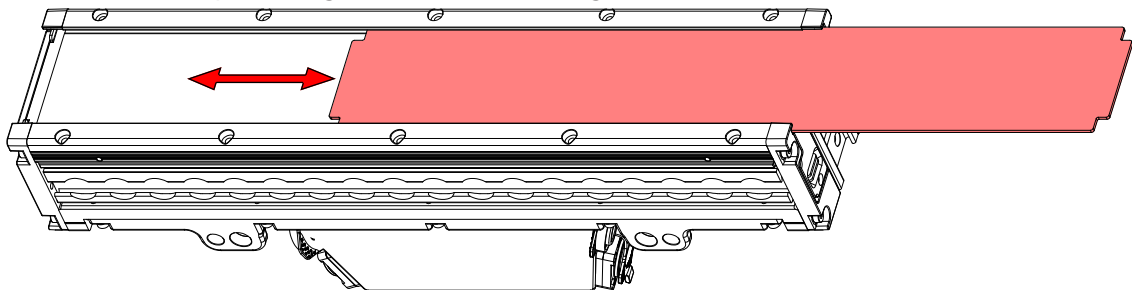


ACCESSORY INSTALLATION - FROST LENS

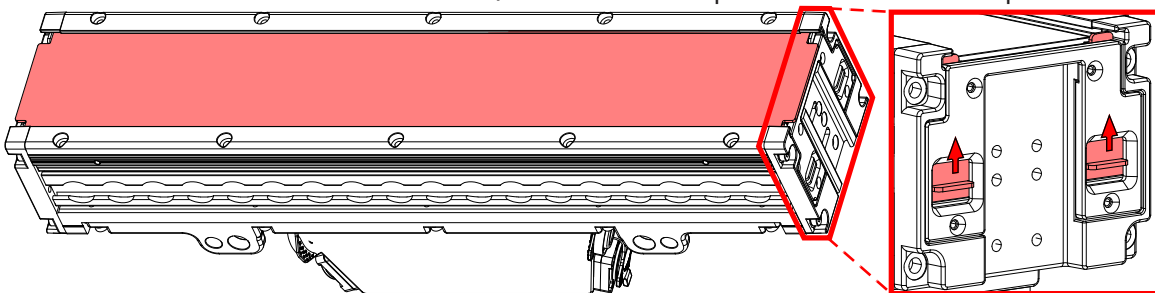
1. Slide lock levers downward to retract the locking tabs.



2. Install the Frost Lens by sliding it into the lens groove.

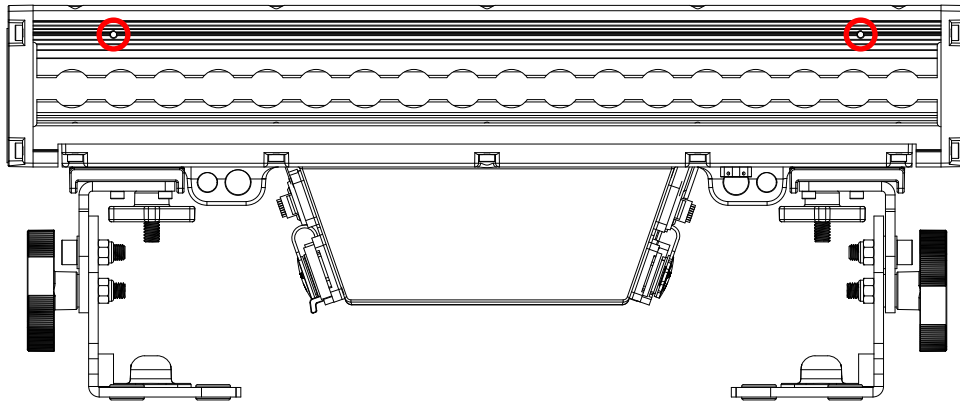


3. With the Frost Lens installed, slide levers upward to lock it in place.

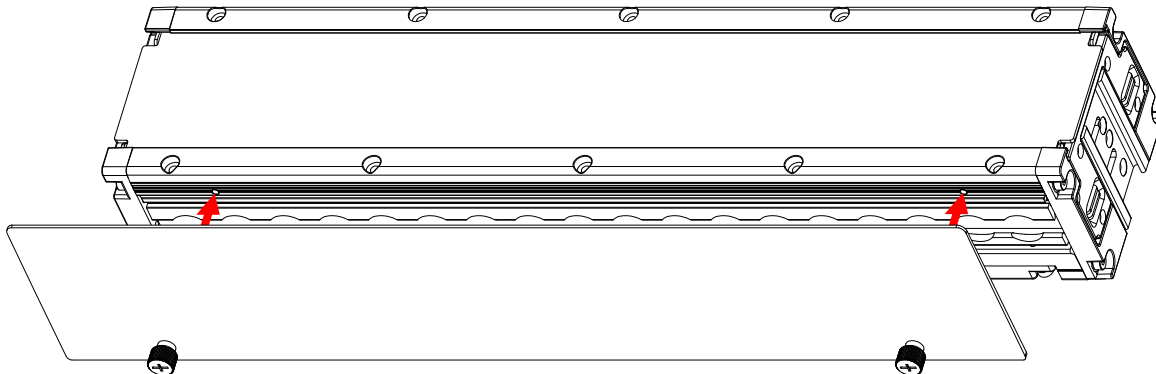


ACCESSORY INSTALLATION - GLARE SHIELD (OPTIONAL)

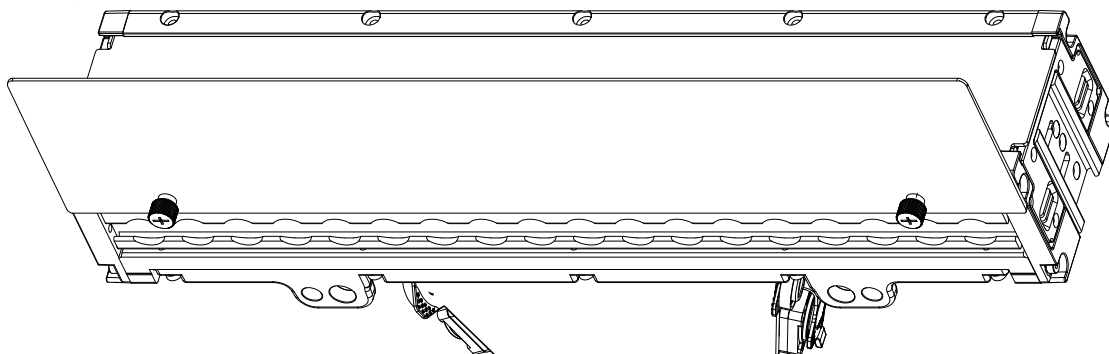
1. Locate two Glare Shield mounting screw holes on side of fixture.



2. Align the thumbscrews of the Glare Shield with the mounting screw holes and insert them.



3. Tighten the two thumbscrews to secure Glare Shield. Thumbscrews can also be tightened with a Phillips screw driver.



REMOTE DEVICE MANAGEMENT (RDM)

NOTE: In order for RDM to work properly, RDM enabled equipment must be used throughout the entire system, including DMX data splitters and wireless systems.

Remote Device Management (RDM) is a protocol that sits on top of the DMX512 data standard for lighting, and allows the DMX systems of the fixtures to be modified and monitored remotely. This protocol is ideal for instances in which a unit is installed in a location that is not easily accessible.

With RDM, the DMX512 system becomes bi-directional, allowing a compatible RDM enabled controller to send out a signal to devices on the wire, as well as allowing the fixture to respond (known as a GET command). The controller can then use its SET command to modify settings that would typically have to be changed or viewed directly via the unit's display screen, including the DMX Address, DMX Channel Mode, and Temperature Sensors.

FIXTURE RDM INFORMATION:

| Device ID | Device Model ID | RDM Code | Personality ID |
|-----------|-----------------|----------|--|
| 0000-FFFF | 48 | 22A6 | 3CH Xenon Strb 11CH Simple Strb 24CH Strobe FX 36CH Large Pixel 52CH Simple Pxl 124CH Pxl Focus 79CH Basic Full 134CH Full Mode 110CH Raw Mode |

Please be aware that **not all RDM devices support all RDM features**, and therefore it is important to check beforehand to ensure that the equipment that you are considering includes all of the features that you require.

The following parameters are accessible in RDM on this device:

| | |
|--------------------------------------|---------------------------------|
| [0x00C1] Boot Software Version ID | [0x00B0] Language |
| [0x00C2] Boot Software Version Label | [0x00A0] Language Capabilities |
| [0x0032] Clear Status ID | [0x0081] Manufacturer Label |
| [0x0015] Comms Status | [0x1010] Power State |
| [0x0122] Default Slot Value | [0x1031] Preset Playback |
| [0x0400] Device Hours | [0x0070] Product Detail ID List |
| [0x0082] Device Label | [0x0011] Proxied Device Count |
| [0x0080] Device Model Description | [0x0603] Realtime Clock |
| [0x0405] Device Power Cycles | [0x0200] Sensor Definition |
| [0x0500] Display Invert | [0x0201] Sensor Value |
| [0x0501] Display Level | [0x0031] Status ID Description |
| [0x00E0] DMX Personality | [0x0030] Status Messages |
| [0x00E1] DMX Personality Description | [0x0050] Supported Parameters |
| [0x00F0] DMX Start Address | |

PULSE BAR L FEATURE GUIDE

The Pulse Bar S is distinguished from other fixtures by offering more individually controllable zones and LED types. While this feature is distinctive, there may be instances where users desire less control. To address this, we have developed several DMX modes that reduce the overall number of control zones. However, the need for further customization of a mode or the fixture's appearance may still arise. To enhance the fixture's flexibility, we have introduced Zone Linking capabilities.

Zone Linking allows users to modify the control and response of the RGB StrobeLine LEDs as follows:

1. Default Zone Control follows the standard DMX chart settings.
2. RGB StrobeLine Link to Top CW Strobe mirrors the top center CW Strobe LEDs in white light only, creating a unified central strobe array.
3. RGB StrobeLine Link to Top RGB mirrors the top RGB plate LED zones.
4. RGB StrobeLine Link to Bottom RGB mirrors the bottom RGB plate LED zones.
5. RGB StrobeLine Inactive completely deactivates and turns off the RGB StrobeLine LEDs.

Please note that when Zone Linking is enabled, the originally assigned DMX channels will be ignored and will have no effect on the fixture's output.

FX FUNCTIONS AND FEATURES

Multi-zone fixtures, such as the Pulse Panel S, can be time-consuming to create and record impactful effects. In some cases, limited DMX channels may prevent the full use of a fixture's capabilities. To address this, we developed new ways for programmers to control and customize effects, so they don't need to set the fixture to its maximum DMX channel layout to achieve visual impact.

This new FX control method includes multiple settings that can be adjusted and selected to customize any pre-built effect selected from the fixture library. The fixture separates the effects for the CW Strobe Zones and the RGB Zones, allowing two different looks to be selected simultaneously. Both effect types offer a similar level of customization, except for color.

The fixtures include a pre-built library of effects. Selecting an effect is done via the EFFECT SELECTION channel. Once an effect is chosen, the EFFECT SPEED channel adjusts the playback speed and can also reverse the direction of the effect. A new concept we've introduced is EFFECT SIZE. This channel enables an effect that uses only a small portion of the fixture zones to utilize a larger portion of zones, up to treating the full LED selection as a single large pixel. As the size is on a variable control channel, the effects can be even more dynamic than before.

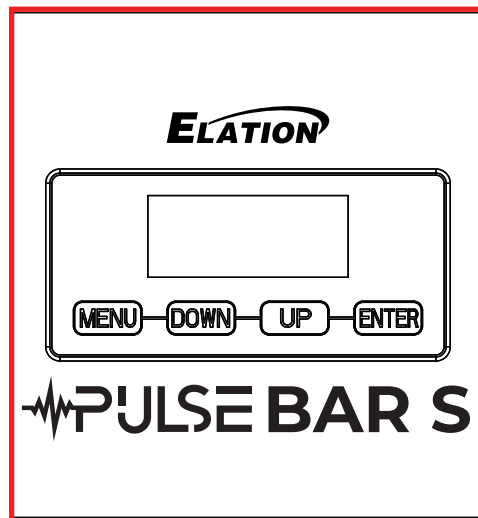
The third channel of control for the FX Functions allows for the timing offset of the effects. If fixtures are set in a line next to one another and an effect needs to move seamlessly from one fixture to the next, the offset can be adjusted until the desired look is achieved. Within the same channel, different randomization settings can be selected to customize the steps for the effect, ensuring that each step, selected pixel, or selected fixture is unique. Lastly, within that channel, the fade between each step of the effects can be adjusted as well. These FX Functions unlock the full effects feature set while occupying only three DMX channels. Once all FX Functions are set as desired, additional Intensity, Strobe, or Color settings can be applied on top of the effect for even more visual impact and customization options.

SYSTEM MENU

The fixture includes an easy to navigate system menu. The control panel display is located on the rear panel of the fixture (see image below) and provides access to the main system menu, where all necessary system adjustments are made to the fixture. During normal operation, pressing the MODE button once will access the fixture's main menu. Once in the main menu you can navigate through the different functions and access the sub-menus with the DOWN and UP buttons. Once you reach a field that requires adjusting, press the ENTER button to activate that field and use the DOWN and UP buttons to adjust the field. Pressing the ENTER button once more will confirm the setting. Exit the main menu at any time without making any adjustments by pressing the MODE button.

PERMANENT INSTALLATION SETTING AND PHANTOM TOUCH

A phantom touch on an LCD screen is an unexpected, unprompted touch that seems to occur without any physical contact, like a raindrop. When installing any fixture in a permanent setting, we recommend setting your display to lock after 10-seconds and not the **OFF** setting. Units in a permanent setting are exposed to various conditions, if a unit is set to **OFF**, the display may interpret a raindrop as a command and change the fixture's setting through a phantom touch. Setting the display to lock after 10-seconds, and not setting a the display to **OFF**, prevents this scenario.



AN ELATION C-LOADER II CAN ALSO BE USED TO UPDATE THE FIXTURE TO THE LATEST SOFTWARE. To order this device, please contact Elation Support for further details.

Detailed instructions can be found online at www.elationlighting.com.

ELATION SERVICE USA - Monday - Friday 8:00am to 4:30pm PST
323-582-3322 | support@elationlighting.com

ELATION SERVICE EUROPE - Monday - Friday 08:30 to 17:00 CET
+31 45 546 85 63 | support@elationlighting.eu

SYSTEM MENU

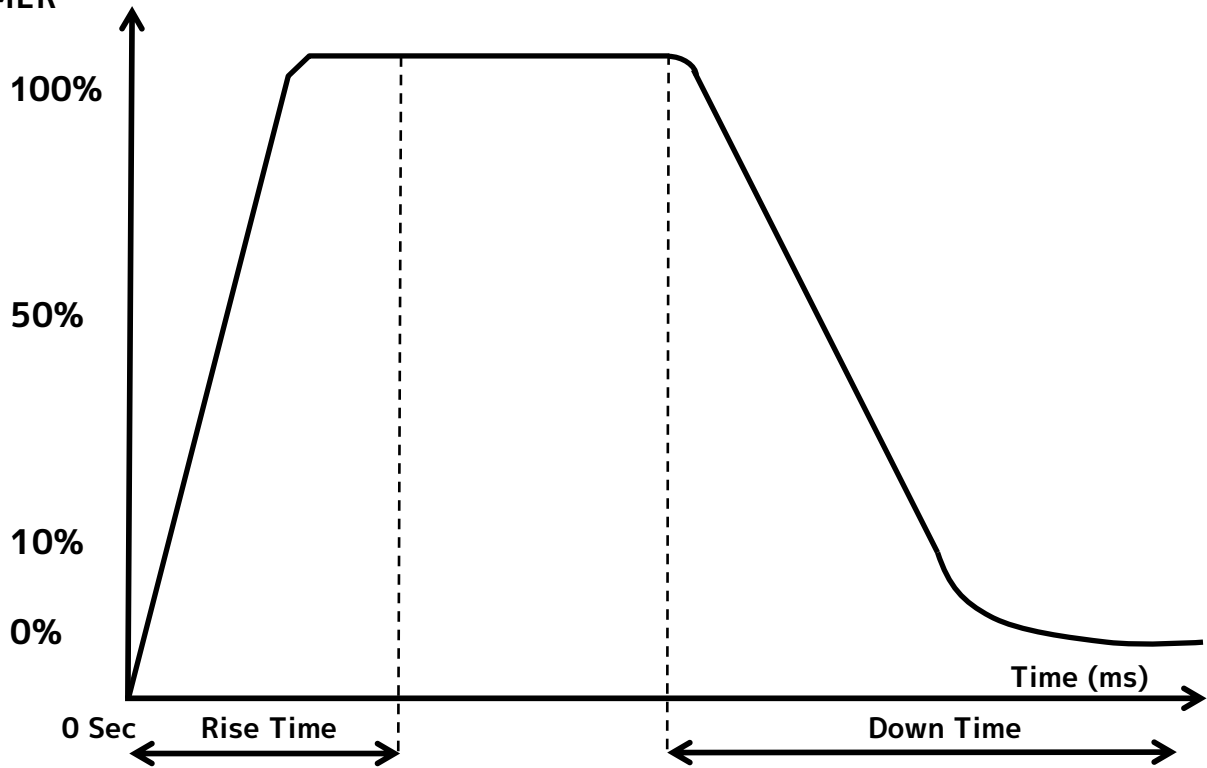
| MAIN MENU | OPTIONS / VALUES (Default Settings in BOLD) | | | |
|-----------------|---|--|--------------------------------------|--|
| DMX | DMX Address | 001 - 512 | | |
| | DMX Mode | 3CH Xenon Strb | | |
| | | 11CH Simple Strb | | |
| | | 22CH Strobe FX | | |
| | | 34CH Large Pixel | | |
| | | 52CH Simple Pxl | | |
| | | 124CH Pxl Focus | | |
| | | 77CH Basic Full | | |
| | | 132CH Full Mode | | |
| | 110CH Raw Mode | | | |
| | No DMX Status | Hold Last , Fade to Black, Standalone | | |
| Protocol | Select Signal | DMX / Art-Net / sACN / Klingnet / Aria In - DMX Out / DMX In - Aria Out | | |
| | Universe | 0 - 32767 (Default = 1) | | |
| | IP Address | 2.x.x.x | | |
| | Subnet Mask | 255.0.0.0 | | |
| | Ethernet DMX Out | Off / On | | |
| Aria | Aria Channel | 0 -14 | | |
| Control | Manual Control | RGB Dimmer 0-255 | 000% - 100% | |
| | | Red 0-255 | 0 - 255 | |
| | | Green 0-255 | 0 - 255 | |
| | | Blue 0-255 | 0 - 255 | |
| | | CW Strobe Dimmer | 000% - 100% | |
| | | Virtual Color | See Color Macros | |
| | Primary | On / Off | | |
| | Secondary | On / Off | | |
| | Self Test | All | | |
| | | Dimmer | | |
| Strobe LED | | | | |
| Color LED | | | | |
| Settings | Dim Modes | Standard , Stage, TV, Architectural, Theatre, Stage 2 | | |
| | | Dim Speed | 0s - 10s (Default = 0.1s) | |
| | Dim Curves | Linear, Square, Square Inverse, S-Curve | | |
| | Zone Flip | Default Layout , Flip Horizontal, Flip Vertical, Flip Horz & Vert | | |
| | Zone Linking | Default Control , RGB Line Top CW, RGB Line Top RGB, RGB Line Bot RGB, RGB Line Off | | |
| | LED Refresh Rate | 900Hz - 1500Hz (Default = 1200 Hz), 2500Hz, 4000Hz, 5000Hz, 6000Hz, 10KHz, 15KHz, 20KHz, 25KHz | | |
| | LED Power Limit | 50%, 60%, 70%, 80%, 90%, 100% | | |
| | Display | Screen Delay | 10s - 5min (Default = 1 min) | |
| | | Screen Lock | Off , 10s - 5 min | |
| | | Rotate Display | Yes / No / Auto | |
| Reset Defaults | Yes / No | | | |

SYSTEM MENU

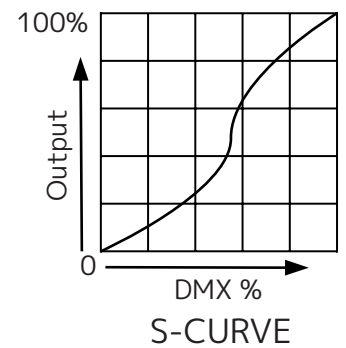
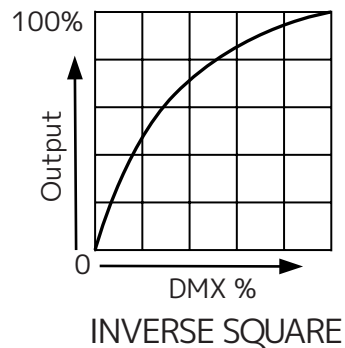
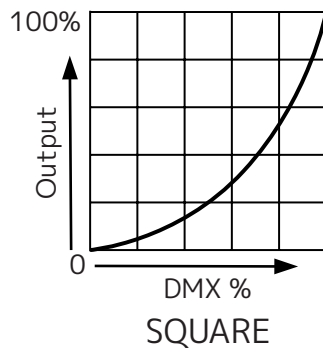
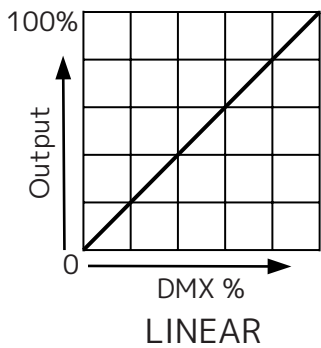
| MAIN MENU | | OPTIONS / VALUES (Default Settings in BOLD) | |
|-----------------------------------|------------------|---|--|
| Information | Time | Current Run Time | |
| | | Total Run Time | |
| | | Last Run Time | |
| | Temperature | Current | |
| | | Max Resettable | |
| | Humidity | xxx % | |
| | DMX Values | Red | |
| | | Green | |
| | | ... | |
| | Product IDs | RDM UID | |
| Error Logs | Fixture Errors | | |
| Software Version | Vx.x | | |
| Service (Passcode = 50) | Calibration | All Red 000-255 | |
| | | All Green 000-255 | |
| | | All Blue 000-255 | |
| | | All CW Strobe 000-255 | |
| | | Red 1 0-255 | |
| | | Green 1 0-255 | |
| | | Blue 1 0-255 | |
| | | | |
| | | Red 30 0-255 | |
| | | Green 30 0-255 | |
| | | Blue 30 0-255 | |
| | | CW Strobe 1 0-255 | |
| | | ... | |
| | | CW Strobe 20 0-255 | |
| | Reset Last Run | Yes / No | |
| | Reset Error Logs | Yes / No | |

DIMMER MODES & CURVES

DIMMER



| Dimming Curve Ramp Effect | 0 sec Fade Time | | 1 sec Fade Time | |
|------------------------------|-----------------|----------------|-----------------|----------------|
| | Rise Time (ms) | Down Time (ms) | Rise Time (ms) | Down Time (ms) |
| Standard (default) | 0 | 0 | 0 | 0 |
| Stage | 780 | 1100 | 1540 | 1660 |
| TV | 1180 | 1520 | 1860 | 1940 |
| Architectural | 1380 | 1730 | 2040 | 2120 |
| Theatre | 1580 | 1940 | 2230 | 2280 |
| Stage 2 | 0 | 1100 | 0 | 1660 |



DMX TRAITS

| Fixture Part Name | Xenon Strobe 3CH | Simple Strobe 11CH | Strobe FX 22CH | Large Pixels 34CH | Simple Pixel 52CH | Pixel Focus 124CH | Basic Full Control 77CH | Full Control 132CH | Raw Mode 110CH | DMX Values | Function | Snap | Default Value |
|-------------------|------------------|--------------------|----------------|-------------------|-------------------|-------------------|-------------------------|--------------------|----------------|--|--|------|---------------|
| Main Fixture | 1 | | 1 | 1 | | 1 | 1 | 1 | | 0-255 | Master Dimmer Intensity 0 → 100% | | 0 |
| | | 1 | 2 | 2 | 1 | 2 | 2 | 2 | | 0-255 | Strobe Dimmer Master Intensity 0 → 100% | | 0 |
| | 2 | 2 | 3 | 3 | 2 | 3 | 3 | 3 | | 0-255 | CW Strobe Duration Min → Max | | 0 |
| | 3 | 3 | 4 | 4 | 3 | 4 | 4 | 4 | | 0-255 | CW Strobe Rate Fast → Slow | | 0 |
| | | | | | | | | | | | CW Strobe Mode | | |
| | | | | | | | | | | 0-31 | Single Strobe/Standard Mode | | |
| | | | | | | | | | | 32-63 | Ramp Up | | |
| | | | | | | | | | | 64-95 | Ramp Down | | |
| | | 4 | 5 | 5 | 4 | 5 | 5 | 5 | | 96-127 | Ramp Up → Ramp Down | X | 255 |
| | | | | | | | | | | 128-159 | Random | | |
| | | | | | | | | | | 160-191 | Double Flash | | |
| | | | | | | | | | | 192-223 | Triple Flash | | |
| | | | | | | | | | | 224-255 | No Effect | | |
| | | 5 | 6 | 6 | 5 | 6 | 6 | 6 | | 0-255 | RGB Dimmer Intensity 0 → 100% | | 0 |
| | | 6 | 7 | 7 | 6 | 7 | 7 | 7 | | 0-255 | RGB Strobe Duration Min → Max | | 0 |
| | | 7 | 8 | 8 | 7 | 8 | 8 | 8 | | 0-255 | RGB Strobe Rate Fast → Slow | | 0 |
| | | | | | | | | | | | RGB Strobe Mode | | |
| | | | | | | | | | | 0-31 | Single Strobe/Standard Mode | | |
| | | | | | | | | | | 32-63 | Ramp Up | | |
| | | | | | | | | | | 64-95 | Ramp Down | | |
| | 8 | 9 | 9 | 8 | 9 | 9 | 9 | | 96-127 | Ramp Up → Ramp Down | X | 255 | |
| | | | | | | | | | 128-159 | Random | | | |
| | | | | | | | | | 160-191 | Double Flash | | | |
| | | | | | | | | | 192-223 | Triple Flash | | | |
| | | | | | | | | | 224-225 | Sync Dim and Strobe with CW Strobe | | | |
| | | | | | | | | | 226-255 | No Effect | | | |
| | 9 | 10 | 10 | 9 | 10 | 10 | 10 | | 0-255 | All Red Red Saturation 0 → 100% | | 0 | |
| | 10 | 11 | 11 | 10 | 11 | 11 | 11 | | 0-255 | All Green Green Saturation 0 → 100% | | 0 | |

DMX TRAITS

| Fixture Part Name | Xenon Strobe 3CH | Simple Strobe 11CH | Strobe FX 22CH | Large Pixels 34CH | Simple Pixel 52CH | Pixel Focus 124CH | Basic Full Control 77CH | Full Control 132CH | Raw Mode 110CH | DMX Values | Function | Snap | Default Value |
|-------------------|------------------|--------------------|----------------|-------------------|-------------------|-------------------|-------------------------|--------------------|----------------|------------|--|------|---------------|
| Main Fixture | | 11 | 12 | 12 | 11 | 12 | 12 | 12 | | 0-255 | All Blue Blue Saturation 0 → 100% | | 0 |
| | | | 13 | | | | 13 | 13 | | 0-255 | CW Strobe Effect Selecection FX Selection 1 → 255 | X | 0 |
| | | | 14 | | | | 14 | 14 | | | CW Strobe Effect Speed 0-126 Slow → Fast 127-128 Stop 129-255 Rev Fast → Slow | | 0 |
| | | | 15 | | | | 15 | 15 | | | CW Strobe Effect Size 0-50 Idle 51-60 1 Zone 61-70 2 Zone 71-80 4 Zone 81-90 8 Zone 91-100 10 Zone 101-110 20 Zone 111-255 Idle | X | 0 |
| | | | 16 | | | | 16 | 16 | | | CW Strobe Effect Offset 0 Idle 1 Fixture Offset 10 Degrees 2 Fixture Offset 20 Degrees 3-34 Fixture Offset... 35 Fixture Offset 350 Degrees 36 Synchronized 37-49 Random Fixture Offset 50-59 Random Pixel Order 60-69 Random Steps 70-79 Idle Effect Fade 80-89 Sinewave- Cross 90-99 Sinewave- Full 100-109 Sawtooth- Cross 110-119 Sawtooth- Full 120-129 Ramp Up 130-139 Ramp Down 140-149 Steps 150-255 Idle | X | 0 |
| | | | 17 | | | | 17 | 17 | | 0-255 | RGB Effect Selection FX Selection 1 → 255 | X | 0 |
| | | | 18 | | | | 18 | 18 | | | RGB Effect Speed 0-126 Slow → Fast 127-128 Stop 129-255 Rev Fast → Slow | | 0 |
| | | | 19 | | | | 19 | 19 | | | RGB Effect Size 0-50 Idle 51-60 1 Zone 61-70 2 Zone 71-80 3 Zone 81-90 6 Zone 91-100 10 Zone 101-110 15 Zone 111-120 30 Zone 121-255 Idle | X | 0 |

DMX TRAITS

| Fixture Part Name | Xenon Strobe 3CH | Simple Strobe 11CH | Strobe FX 22CH | Large Pixels 34CH | Simple Pixel 52CH | Pixel Focus 124CH | Basic Full Control 77CH | Full Control 132CH | Raw Mode 110CH | DMX Values | Function | Snap | Default Value | |
|-------------------|------------------|--------------------|----------------|-------------------|-------------------|-------------------|-------------------------|--------------------|----------------|------------|----------------------------|--------------------------|---------------|---|
| Main Fixture | 20 | | | | | | 20 | 20 | | | RGB Effect Offset | X | 0 | |
| | | | | | | | | | | 0 | Idle | | | |
| | | | | | | | | | | 1 | Fixture Offset 10 Degrees | | | |
| | | | | | | | | | | 2 | Fixture Offset 20 Degrees | | | |
| | | | | | | | | | | 3-34 | Fixture Offset... | | | |
| | | | | | | | | | | 35 | Fixture Offset 350 Degrees | | | |
| | | | | | | | | | | 36 | Synchronized | | | |
| | | | | | | | | | | 37-49 | Random Fixture Offset | | | |
| | | | | | | | | | | 50-59 | Random Pixel Order | | | |
| | | | | | | | | | | 60-69 | Random Steps | | | |
| | | | | | | | | | | 70-79 | Idle | | | |
| | | | | | | | | | | | Effect Fade | | | |
| | | | | | | | | | | 80-89 | Sinewave- Cross | | | |
| | | | | | | | | | | 90-99 | Sinewave- Full | | | |
| | | | | | | | | | | 100-109 | Sawtooth- Cross | | | |
| | | | | | | | | | | 110-119 | Sawtooth- Full | | | |
| | | | | | | | | | | 120-129 | Ramp Up | | | |
| | 130-139 | Ramp Down | | | | | | | | | | | | |
| | 140-149 | Steps | | | | | | | | | | | | |
| | 150-255 | Idle | | | | | | | | | | | | |
| | 21 | 13 | | | | | 13 | 21 | 21 | | | Dim Modes | X | 0 |
| | | | | | | | | | | | 0-20 | Standard | | |
| | | | | | | | | | | | 21-40 | Stage | | |
| | | | | | | | | | | | 41-60 | TV | | |
| | | | | | | | | | | | 61-80 | Architectural | | |
| | | | | | | | | | | | 81-100 | Theatre | | |
| | | | | | | | | | | | 101-120 | Stage 2 | | |
| | | | | | | | | | | | | Dimmer Delay Time | | |
| | | | | | | | | | | | 121 | 0s | | |
| | | | | | | | | | | | 122 | 0.1s | | |
| | | | | | | | | | | | 123 | 0.2s | | |
| | | | | | | | | | | | 124 | 0.3s | | |
| | | | | | | | | | | | 125 | 0.4s | | |
| | | | | | | | | | | | 126 | 0.5s | | |
| 127 | | | | | | | | | | | 0.6s | | | |
| 128 | | | | | | | | | | | 0.7s | | | |
| 129 | | | | | | | | | | | 0.8s | | | |
| 130 | | | | | | | | | | | 0.9s | | | |
| 131 | | | | | | | | | | | 1.0s | | | |
| 132 | | | | | | | | | | | 1.5s | | | |
| 133 | 2.0s | | | | | | | | | | | | | |
| 134 | 3.0s | | | | | | | | | | | | | |
| 135 | 4.0s | | | | | | | | | | | | | |
| 136 | 5.0s | | | | | | | | | | | | | |
| 137 | 6.0s | | | | | | | | | | | | | |
| 138 | 7.0s | | | | | | | | | | | | | |
| 139 | 8.0s | | | | | | | | | | | | | |
| 140 | 9.0s | | | | | | | | | | | | | |
| 141 | 10s | | | | | | | | | | | | | |
| 142-255 | Idle | | | | | | | | | | | | | |

DMX TRAITS

| Fixture Part Name | Xenon Strobe 3CH | Simple Strobe 11CH | Strobe FX 22CH | Large Pixels 34CH | Simple Pixel 52CH | Pixel Focus 124CH | Basic Full Control 77CH | Full Control 132CH | Raw Mode 110CH | DMX Values | Function | Snap | Default Value |
|-------------------|------------------|--------------------|----------------|-------------------|-------------------|-------------------|-------------------------|--------------------|----------------|------------|--------------------------|------|---------------|
| Main Fixture | | | | | | | | | | | Control | | |
| | | | | | | | | | | 0-99 | Idle | | |
| | | | | | | | | | | | Refresh Rate (Hz) | | |
| | | | | | | | | | | 100 | 900 | | |
| | | | | | | | | | | 101 | 910 | | |
| | | | | | | | | | | 102 | 920 | | |
| | | | | | | | | | | 103 | 930 | | |
| | | | | | | | | | | 104 | 940 | | |
| | | | | | | | | | | 105 | 950 | | |
| | | | | | | | | | | 106 | 960 | | |
| | | | | | | | | | | 107 | 970 | | |
| | | | | | | | | | | 108 | 980 | | |
| | | | | | | | | | | 109 | 990 | | |
| | | | | | | | | | | 110 | 1000 | | |
| | | | | | | | | | | 111 | 1010 | | |
| | | | | | | | | | | 112 | 1020 | | |
| | | | | | | | | | | 113 | 1030 | | |
| | | | | | | | | | | 114 | 1040 | | |
| | | | | | | | | | | 115 | 1050 | | |
| | | | | | | | | | | 116 | 1060 | | |
| | | | | | | | | | | 117 | 1070 | | |
| | | | | | | | | | | 118 | 1080 | | |
| | | | | | | | | | | 119 | 1090 | | |
| | | | | 22 | 14 | 12 | 14 | 22 | 22 | 120 | 1100 | X | 0 |
| | | | | | | | | | | 121 | 1110 | | |
| | | | | | | | | | | 122 | 1120 | | |
| | | | | | | | | | | 123 | 1130 | | |
| | | | | | | | | | | 124 | 1140 | | |
| | | | | | | | | | | 125 | 1150 | | |
| | | | | | | | | | | 126 | 1160 | | |
| | | | | | | | | | | 127 | 1170 | | |
| | | | | | | | | | | 128 | 1180 | | |
| | | | | | | | | | | 129 | 1190 | | |
| | | | | | | | | | 130 | 1200 | | | |
| | | | | | | | | | 131 | 1210 | | | |
| | | | | | | | | | 132 | 1220 | | | |
| | | | | | | | | | 133 | 1230 | | | |
| | | | | | | | | | 134 | 1240 | | | |
| | | | | | | | | | 135 | 1250 | | | |
| | | | | | | | | | 136 | 1260 | | | |
| | | | | | | | | | 137 | 1270 | | | |
| | | | | | | | | | 138 | 1280 | | | |
| | | | | | | | | | 139 | 1290 | | | |
| | | | | | | | | | 140 | 1300 | | | |
| | | | | | | | | | 141 | 1310 | | | |
| | | | | | | | | | 142 | 1320 | | | |
| | | | | | | | | | 143 | 1330 | | | |

DMX TRAITS

| Fixture Part Name | Xenon Strobe 3CH | Simple Strobe 11CH | Strobe FX 22CH | Large Pixels 34CH | Simple Pixel 52CH | Pixel Focus 124CH | Basic Full Control 77CH | Full Control 132CH | Raw Mode 110CH | DMX Values | Function | Snap | Default Value |
|-------------------|------------------|--------------------|----------------|-------------------|-------------------|-------------------|-------------------------|--------------------|----------------|---|--|------|---------------|
| Main Fixture | | | | | | | | | | 144 | 1340 | | |
| | | | | | | | | | | 145 | 1350 | | |
| | | | | | | | | | | 146 | 1360 | | |
| | | | | | | | | | | 147 | 1370 | | |
| | | | | | | | | | | 148 | 1380 | | |
| | | | | | | | | | | 149 | 1390 | | |
| | | | | | | | | | | 150 | 1400 | | |
| | | | | | | | | | | 151 | 1410 | | |
| | | | | | | | | | | 152 | 1420 | | |
| | | | | | | | | | | 153 | 1430 | | |
| | | | | | | | | | | 154 | 1440 | | |
| | | | | | | | | | | 155 | 1450 | | |
| | | | | | | | | | | 156 | 1460 | | |
| | | | | | | | | | | 157 | 1470 | | |
| | | | | | | | | | | 158 | 1480 | | |
| | | | | | | | | | | 159 | 1490 | | |
| | | | | | | | | | | 160 | 1500 | | |
| | | | | | | | | | | 161 | 2500 | | |
| | | | | | | | | | | 162 | 4000 | | |
| | | | | | | | | | | 163 | 5000 | | |
| | | | | | | | | | | 164 | 6000 | | |
| | | | | | | | | | | 165 | 10000 | | |
| | | | | 22 | 14 | 12 | 14 | 22 | 22 | 166 | 15000 | | |
| | | | | | | | | | | 167 | 20000 | X | 0 |
| | | | | | | | | | | 168 | 25000 | | |
| | | | | | | | | | | 169-170 | Idle | | |
| | | | | | | | | | | | Zone Flip | | |
| | | | | | | | | | | 171-172 | Default Zone Arrangement | | |
| | | | | | | | | | | 173-174 | Flip Zones Horizontally | | |
| | | | | | | | | | | 175-176 | Flip Zones Vertically | | |
| | | | | | | | | | | 177-178 | Flip Zones Horizontally and Vertically | | |
| | | | | | | | | | | 179-183 | Idle | | |
| | | | | | | | | | | | Zone Linking | | |
| | | | | | | | | | 184-185 | RGB Strobeline to Default | | | |
| | | | | | | | | | 186-187 | RGB Strobeline Link to Top Center CW Strobe | | | |
| | | | | | | | | | 188-189 | RGB Strobeline Link to Top RGB | | | |
| | | | | | | | | | 190-191 | RGB Strobeline to Bottom RGB | | | |
| | | | | | | | | | 192-193 | RGB Strobeline Inactive | | | |
| | | | | | | | | | 194-200 | Idle | | | |
| | | | | | | | | | | Dimmer Curves | | | |
| | | | | | | | | | 201-210 | Dimmer Curve: Linear (Default) | | | |
| | | | | | | | | | 211-220 | Dimmer Curve: Square | | | |
| | | | | | | | | | 221-230 | Dimmer Curve: Inverse Square | | | |
| | | | | | | | | | 231-240 | Dimmer Curve: S-Curve | | | |
| | | | | | | | | | 241-255 | Idle | | | |

DMX TRAITS

| Fixture Part Name | Xenon Strobe 3CH | Simple Strobe 11CH | Strobe FX 22CH | Large Pixels 34CH | Simple Pixel 52CH | Pixel Focus 124CH | Basic Full Control 77CH | Full Control 132CH | Raw Mode 110CH | DMX Values | Function | Snap | Default Value |
|-------------------|------------------|--------------------|----------------|-------------------|-------------------|-------------------|-------------------------|--------------------|----------------|------------|--|------|---------------|
| Pixel 1 | | | | 15 | 13 | 15 | 23 | 23 | 1 | 0-255 | Red 1 Red Saturation 0 → 100% | | 0 |
| | | | | 16 | 14 | 16 | 24 | 24 | 2 | 0-255 | Green 1 Green Saturation 0 → 100% | | 0 |
| | | | | 17 | 15 | 17 | 25 | 25 | 3 | 0-255 | Blue 1 Blue Saturation 0 → 100% | | 0 |
| Pixel 2 | | | | 18 | 16 | 18 | 26 | 26 | 4 | 0-255 | Red 2 Red Saturation 0 → 100% | | 0 |
| | | | | 19 | 17 | 19 | 27 | 27 | 5 | 0-255 | Green 2 Green Saturation 0 → 100% | | 0 |
| | | | | 20 | 18 | 20 | 28 | 28 | 6 | 0-255 | Blue 2 Blue Saturation 0 → 100% | | 0 |
| Pixel 3 | | | | 21 | 19 | 21 | 29 | 29 | 7 | 0-255 | Red 3 Red Saturation 0 → 100% | | 0 |
| | | | | 22 | 20 | 22 | 30 | 30 | 8 | 0-255 | Green 3 Green Saturation 0 → 100% | | 0 |
| | | | | 23 | 21 | 23 | 31 | 31 | 9 | 0-255 | Blue 3 Blue Saturation 0 → 100% | | 0 |
| Pixel 4 | | | | 24 | 22 | 24 | 32 | 32 | 10 | 0-255 | Red 4 Red Saturation 0 → 100% | | 0 |
| | | | | 25 | 23 | 25 | 33 | 33 | 11 | 0-255 | Green 4 Green Saturation 0 → 100% | | 0 |
| | | | | 26 | 24 | 26 | 34 | 34 | 12 | 0-255 | Blue 4 Blue Saturation 0 → 100% | | 0 |
| Pixel 5 | | | | | 25 | 27 | 35 | 35 | 13 | 0-255 | Red 5 Red Saturation 0 → 100% | | 0 |
| | | | | | 26 | 28 | 36 | 36 | 14 | 0-255 | Green 5 Green Saturation 0 → 100% | | 0 |
| | | | | | 27 | 29 | 37 | 37 | 15 | 0-255 | Blue 5 Blue Saturation 0 → 100% | | 0 |
| Pixel 6 | | | | | 28 | 30 | 38 | 38 | 16 | 0-255 | Red 6 Red Saturation 0 → 100% | | 0 |
| | | | | | 29 | 31 | 39 | 39 | 17 | 0-255 | Green 6 Green Saturation 0 → 100% | | 0 |
| | | | | | 30 | 32 | 40 | 40 | 18 | 0-255 | Blue 6 Blue Saturation 0 → 100% | | 0 |
| Pixel 7 | | | | | 31 | 33 | 41 | 41 | 19 | 0-255 | Red 7 Red Saturation 0 → 100% | | 0 |
| | | | | | 32 | 34 | 42 | 42 | 20 | 0-255 | Green 7 Green Saturation 0 → 100% | | 0 |
| | | | | | 33 | 35 | 43 | 43 | 21 | 0-255 | Blue 7 Blue Saturation 0 → 100% | | 0 |
| Pixel 8 | | | | | 34 | 36 | 44 | 44 | 22 | 0-255 | Red 8 Red Saturation 0 → 100% | | 0 |
| | | | | | 35 | 37 | 45 | 45 | 23 | 0-255 | Green 8 Green Saturation 0 → 100% | | 0 |
| | | | | | 36 | 38 | 46 | 46 | 24 | 0-255 | Blue 8 Blue Saturation 0 → 100% | | 0 |
| Pixel 9 | | | | | 37 | 39 | 47 | 47 | 25 | 0-255 | Red 9 Red Saturation 0 → 100% | | 0 |
| | | | | | 38 | 40 | 48 | 48 | 26 | 0-255 | Green 9 Green Saturation 0 → 100% | | 0 |
| | | | | | 39 | 41 | 49 | 49 | 27 | 0-255 | Blue 9 Blue Saturation 0 → 100% | | 0 |
| Pixel 10 | | | | | 40 | 42 | 50 | 50 | 28 | 0-255 | Red 10 Red Saturation 0 → 100% | | 0 |
| | | | | | 41 | 43 | 51 | 51 | 29 | 0-255 | Green 10 Green Saturation 0 → 100% | | 0 |
| | | | | | 42 | 44 | 52 | 52 | 30 | 0-255 | Blue 10 Blue Saturation 0 → 100% | | 0 |

DMX TRAITS

| Fixture Part Name | Xenon Strobe 3CH | Simple Strobe 11CH | Strobe FX 22CH | Large Pixels 34CH | Simple Pixel 52CH | Pixel Focus 124CH | Basic Full Control 77CH | Full Control 132CH | Raw Mode 110CH | DMX Values | Function | Snap | Default Value |
|-------------------|------------------|--------------------|----------------|-------------------|-------------------|-------------------|-------------------------|--------------------|----------------|------------|---------------------------------------|------|---------------|
| Pixel 11 | | | | | | 45 | | 53 | 31 | 0-255 | Red 11 Red Saturation 0 → 100% | | 0 |
| | | | | | | 46 | | 54 | 32 | 0-255 | Green 11 Green Saturation 0 → 100% | | 0 |
| | | | | | | 47 | | 55 | 33 | 0-255 | Blue 11 Green Saturation 0 → 100% | | 0 |
| Pixel 12 | | | | | | 48 | | 56 | 34 | 0-255 | Red 12 Red Saturation 0 → 100% | | 0 |
| | | | | | | 49 | | 57 | 35 | 0-255 | Green 12 Green Saturation 0 → 100% | | 0 |
| | | | | | | 50 | | 58 | 36 | 0-255 | Blue 12 Blue Saturation 0 → 100% | | 0 |
| Pixel 13 | | | | | | 51 | | 59 | 37 | 0-255 | Red 13 Red Saturation 0 → 100% | | 0 |
| | | | | | | 52 | | 60 | 38 | 0-255 | Green 13 Green Saturation 0 → 100% | | 0 |
| | | | | | | 53 | | 61 | 39 | 0-255 | Blue 13 Blue Saturation 0 → 100% | | 0 |
| Pixel 14 | | | | | | 54 | | 62 | 40 | 0-255 | Red 14 Red Saturation 0 → 100% | | 0 |
| | | | | | | 55 | | 63 | 41 | 0-255 | Green 14 Green Saturation 0 → 100% | | 0 |
| | | | | | | 56 | | 64 | 42 | 0-255 | Blue 14 Blue Saturation 0 → 100% | | 0 |
| Pixel 15 | | | | | | 57 | | 65 | 43 | 0-255 | Red 15 Red Saturation 0 → 100% | | 0 |
| | | | | | | 58 | | 66 | 44 | 0-255 | Green 15 Green Saturation 0 → 100% | | 0 |
| | | | | | | 59 | | 67 | 45 | 0-255 | Blue 15 Blue Saturation 0 → 100% | | 0 |
| Pixel 16 | | | | | | 60 | | 68 | 46 | 0-255 | Red 16 Red Saturation 0 → 100% | | 0 |
| | | | | | | 61 | | 69 | 47 | 0-255 | Green 16 Green Saturation 0 → 100% | | 0 |
| | | | | | | 62 | | 70 | 48 | 0-255 | Blue 16 Blue Saturation 0 → 100% | | 0 |
| Pixel 17 | | | | | | 63 | | 71 | 49 | 0-255 | Red 17 Red Saturation 0 → 100% | | 0 |
| | | | | | | 64 | | 72 | 50 | 0-255 | Green 17 Green Saturation 0 → 100% | | 0 |
| | | | | | | 65 | | 73 | 51 | 0-255 | Blue 17 Blue Saturation 0 → 100% | | 0 |
| Pixel 18 | | | | | | 66 | | 74 | 52 | 0-255 | Red 18 Red Saturation 0 → 100% | | 0 |
| | | | | | | 67 | | 75 | 53 | 0-255 | Green 18 Green Saturation 0 → 100% | | 0 |
| | | | | | | 68 | | 76 | 54 | 0-255 | Blue 18 Blue Saturation 0 → 100% | | 0 |
| Pixel 19 | | | | | | 69 | | 77 | 55 | 0-255 | Red 19 Red Saturation 0 → 100% | | 0 |
| | | | | | | 70 | | 78 | 56 | 0-255 | Green 19 Green Saturation 0 → 100% | | 0 |
| | | | | | | 71 | | 79 | 57 | 0-255 | Blue 19 Blue Saturation 0 → 100% | | 0 |
| Pixel 20 | | | | | | 72 | | 80 | 58 | 0-255 | Red 20 Red Saturation 0 → 100% | | 0 |
| | | | | | | 73 | | 81 | 59 | 0-255 | Green 20 Green Saturation 0 → 100% | | 0 |
| | | | | | | 74 | | 82 | 60 | 0-255 | Blue 20 Blue Saturation 0 → 100% | | 0 |

DMX TRAITS

| Fixture Part Name | Xenon Strobe 3CH | Simple Strobe 11CH | Strobe FX 22CH | Large Pixels 34CH | Simple Pixel 52CH | Pixel Focus 124CH | Basic Full Control 77CH | Full Control 132CH | Raw Mode 110CH | DMX Values | Function | Snap | Default Value |
|-------------------|------------------|--------------------|----------------|-------------------|-------------------|-------------------|-------------------------|--------------------|----------------|------------|--------------------|------|---------------|
| CW Strobe 1 | | | | 27 | 43 | 75 | 53 | 83 | 61 | 0-255 | CW Strobe 1 | | 0 |
| | | | | | | | | | | | Intensity 0 → 100% | | |
| CW Strobe 2 | | | | 28 | 44 | 76 | 54 | 84 | 62 | 0-255 | CW Strobe 2 | | 0 |
| | | | | | | | | | | | Intensity 0 → 100% | | |
| CW Strobe 3 | | | | | 45 | 77 | 55 | 85 | 63 | 0-255 | CW Strobe 3 | | 0 |
| | | | | | | | | | | | Intensity 0 → 100% | | |
| CW Strobe 4 | | | | | 46 | 78 | 56 | 86 | 64 | 0-255 | CW Strobe 4 | | 0 |
| | | | | | | | | | | | Intensity 0 → 100% | | |
| CW Strobe 5 | | | | | 47 | 79 | 57 | 87 | 65 | 0-255 | CW Strobe 5 | | 0 |
| | | | | | | | | | | | Intensity 0 → 100% | | |
| CW Strobe 6 | | | | | 48 | 80 | 58 | 88 | 66 | 0-255 | CW Strobe 6 | | 0 |
| | | | | | | | | | | | Intensity 0 → 100% | | |
| CW Strobe 7 | | | | | 49 | 81 | 59 | 89 | 67 | 0-255 | CW Strobe 7 | | 0 |
| | | | | | | | | | | | Intensity 0 → 100% | | |
| CW Strobe 8 | | | | | 50 | 82 | 60 | 90 | 68 | 0-255 | CW Strobe 8 | | 0 |
| | | | | | | | | | | | Intensity 0 → 100% | | |
| CW Strobe 9 | | | | | 51 | 83 | 61 | 91 | 69 | 0-255 | CW Strobe 9 | | 0 |
| | | | | | | | | | | | Intensity 0 → 100% | | |
| CW Strobe 10 | | | | | 52 | 84 | 62 | 92 | 70 | 0-255 | CW Strobe 10 | | 0 |
| | | | | | | | | | | | Intensity 0 → 100% | | |
| CW Strobe 11 | | | | | | 85 | | 93 | 71 | 0-255 | CW Strobe 11 | | 0 |
| | | | | | | | | | | | Intensity 0 → 100% | | |
| CW Strobe 12 | | | | | | 86 | | 94 | 72 | 0-255 | CW Strobe 12 | | 0 |
| | | | | | | | | | | | Intensity 0 → 100% | | |
| CW Strobe 13 | | | | | | 87 | | 95 | 73 | 0-255 | CW Strobe 13 | | 0 |
| | | | | | | | | | | | Intensity 0 → 100% | | |
| CW Strobe 14 | | | | | | 88 | | 96 | 74 | 0-255 | CW Strobe 14 | | 0 |
| | | | | | | | | | | | Intensity 0 → 100% | | |
| CW Strobe 15 | | | | | | 89 | | 97 | 75 | 0-255 | CW Strobe 15 | | 0 |
| | | | | | | | | | | | Intensity 0 → 100% | | |
| CW Strobe 16 | | | | | | 90 | | 98 | 76 | 0-255 | CW Strobe 16 | | 0 |
| | | | | | | | | | | | Intensity 0 → 100% | | |
| CW Strobe 17 | | | | | | 91 | | 99 | 77 | 0-255 | CW Strobe 17 | | 0 |
| | | | | | | | | | | | Intensity 0 → 100% | | |
| CW Strobe 18 | | | | | | 92 | | 100 | 78 | 0-255 | CW Strobe 18 | | 0 |
| | | | | | | | | | | | Intensity 0 → 100% | | |
| CW Strobe 19 | | | | | | 93 | | 101 | 79 | 0-255 | CW Strobe 19 | | 0 |
| | | | | | | | | | | | Intensity 0 → 100% | | |
| CW Strobe 20 | | | | | | 94 | | 102 | 80 | 0-255 | CW Strobe 20 | | 0 |
| | | | | | | | | | | | Intensity 0 → 100% | | |

DMX TRAITS

| Fixture Part Name | Xenon Strobe 3CH | Simple Strobe 11CH | Strobe FX 22CH | Large Pixels 34CH | Simple Pixel 52CH | Pixel Focus 124CH | Basic Full Control 77CH | Full Control 132CH | Raw Mode 110CH | DMX Values | Function | Snap | Default Value |
|-------------------|------------------|--------------------|----------------|-------------------|-------------------|-------------------|-------------------------|--------------------|----------------|------------|---|------|---------------|
| RGB StrobeLine 1 | | | | 29 | | 95 | 63 | 103 | 81 | 0-255 | StrobeLine Red 1 Red Saturation 0 → 100% | | 0 |
| | | | | 30 | | 96 | 64 | 104 | 82 | 0-255 | StrobeLine Green 1 Green Saturation 0 → 100% | | 0 |
| | | | | 31 | | 97 | 65 | 105 | 83 | 0-255 | StrobeLine Blue 1 Blue Saturation 0 → 100% | | 0 |
| RGB StrobeLine 2 | | | | 32 | | 98 | 66 | 106 | 84 | 0-255 | StrobeLine Red 2 Red Saturation 0 → 100% | | 0 |
| | | | | 33 | | 99 | 67 | 107 | 85 | 0-255 | StrobeLine Green 2 Green Saturation 0 → 100% | | 0 |
| | | | | 34 | | 100 | 68 | 108 | 86 | 0-255 | StrobeLine Blue 2 Blue Saturation 0 → 100% | | 0 |
| RGB StrobeLine 3 | | | | | | 101 | 69 | 109 | 87 | 0-255 | StrobeLine Red 3 Red Saturation 0 → 100% | | 0 |
| | | | | | | 102 | 70 | 110 | 88 | 0-255 | StrobeLine Green 3 Green Saturation 0 → 100% | | 0 |
| | | | | | | 103 | 71 | 111 | 89 | 0-255 | StrobeLine Blue 3 Blue Saturation 0 → 100% | | 0 |
| RGB StrobeLine 4 | | | | | | 104 | 72 | 112 | 90 | 0-255 | StrobeLine Red 4 Red Saturation 0 → 100% | | 0 |
| | | | | | | 105 | 73 | 113 | 91 | 0-255 | StrobeLine Green 4 Green Saturation 0 → 100% | | 0 |
| | | | | | | 106 | 74 | 114 | 92 | 0-255 | StrobeLine Blue 4 Blue Saturation 0 → 100% | | 0 |
| RGB StrobeLine 5 | | | | | | 107 | 75 | 115 | 93 | 0-255 | StrobeLine Red 5 Red Saturation 0 → 100% | | 0 |
| | | | | | | 108 | 76 | 116 | 94 | 0-255 | StrobeLine Green 5 Green Saturation 0 → 100% | | 0 |
| | | | | | | 109 | 77 | 117 | 95 | 0-255 | StrobeLine Blue 5 Blue Saturation 0 → 100% | | 0 |
| RGB StrobeLine 6 | | | | | | 110 | | 118 | 96 | 0-255 | StrobeLine Red 6 Red Saturation 0 → 100% | | 0 |
| | | | | | | 111 | | 119 | 97 | 0-255 | StrobeLine Green 6 Green Saturation 0 → 100% | | 0 |
| | | | | | | 112 | | 120 | 98 | 0-255 | StrobeLine Blue 6 Blue Saturation 0 → 100% | | 0 |
| RGB StrobeLine 7 | | | | | | 113 | | 121 | 99 | 0-255 | StrobeLine Red 7 Red Saturation 0 → 100% | | 0 |
| | | | | | | 114 | | 122 | 100 | 0-255 | StrobeLine Green 7 Green Saturation 0 → 100% | | 0 |
| | | | | | | 115 | | 123 | 101 | 0-255 | StrobeLine Blue 7 Blue Saturation 0 → 100% | | 0 |
| RGB StrobeLine 8 | | | | | | 116 | | 124 | 102 | 0-255 | StrobeLine Red 8 Red Saturation 0 → 100% | | 0 |
| | | | | | | 117 | | 125 | 103 | 0-255 | StrobeLine Green 8 Green Saturation 0 → 100% | | 0 |
| | | | | | | 118 | | 126 | 104 | 0-255 | StrobeLine Blue 8 Blue Saturation 0 → 100% | | 0 |
| RGB StrobeLine 9 | | | | | | 119 | | 127 | 105 | 0-255 | StrobeLine Red 9 Red Saturation 0 → 100% | | 0 |
| | | | | | | 120 | | 128 | 106 | 0-255 | StrobeLine Green 9 Green Saturation 0 → 100% | | 0 |
| | | | | | | 121 | | 129 | 107 | 0-255 | StrobeLine Blue 9 Blue Saturation 0 → 100% | | 0 |
| RGB StrobeLine 10 | | | | | | 122 | | 130 | 108 | 0-255 | StrobeLine Red 10 Red Saturation 0 → 100% | | 0 |
| | | | | | | 123 | | 131 | 109 | 0-255 | StrobeLine Green 10 Green Saturation 0 → 100% | | 0 |
| | | | | | | 124 | | 132 | 110 | 0-255 | StrobeLine Blue 10 Blue Saturation 0 → 100% | | 0 |

ZONE LAYOUTS

FULL CONTROL, FULL RAW, AND PIXEL FOCUS ZONING

| | | | | | | | | | | |
|----------------|----|----|----|----|----|----|----|----|----|----|
| RGB Zone | 1 | 2 | 3 | 4 | 5 | 6 | 7 | 8 | 9 | 10 |
| CW Strobe | 1 | 2 | 3 | 4 | 5 | 6 | 7 | 8 | 9 | 10 |
| RGB Strobeline | 1 | 2 | 3 | 4 | 5 | 6 | 7 | 8 | 9 | 10 |
| CW Strobe | 11 | 12 | 13 | 14 | 15 | 16 | 17 | 18 | 19 | 20 |
| RGB Zone | 11 | 12 | 13 | 14 | 15 | 16 | 17 | 18 | 19 | 20 |

SIMPLE PIXEL ZONING

| | | | | | | | | | | |
|--------------------------|---|---|---|---|---|---|---|---|---|----|
| RGB Zone | 1 | 2 | 3 | 4 | 5 | 6 | 7 | 8 | 9 | 10 |
| CW Strobe | 1 | 2 | 3 | 4 | 5 | 6 | 7 | 8 | 9 | 10 |
| RGB Strobeline (CW Only) | 1 | 2 | 3 | 4 | 5 | 6 | 7 | 8 | 9 | 10 |
| CW Strobe | 1 | 2 | 3 | 4 | 5 | 6 | 7 | 8 | 9 | 10 |
| RGB Zone | 1 | 2 | 3 | 4 | 5 | 6 | 7 | 8 | 9 | 10 |

BASIC FULL CONTROL ZONING

| | | | | | |
|----------------|---|---|---|---|----|
| RGB Zone | 1 | 2 | 3 | 4 | 5 |
| CW Strobe | 1 | 2 | 3 | 4 | 5 |
| RGB Strobeline | 1 | 2 | 3 | 4 | 5 |
| CW Strobe | 6 | 7 | 8 | 9 | 10 |
| RGB Zone | 6 | 7 | 8 | 9 | 10 |

LARGE PIXEL ZONING

| | | |
|----------------|---|---|
| RGB Zone | 1 | 2 |
| CW Strobe | 1 | 2 |
| RGB Strobeline | 1 | 2 |
| CW Strobe | 2 | 3 |
| RGB Zone | 3 | 4 |

ERROR CODES

| Error Codes subject to change without notice | |
|--|---|
| ERROR CODES | DESCRIPTION |
| Temp Error | This message appears when there is a heating error. |
| | |

MAINTENANCE GUIDELINES



DISCONNECT POWER BEFORE PERFORMING ANY MAINTENANCE!

CLEANING

Frequent cleaning is recommended to ensure proper function, optimized light output, and an extended life. The frequency of cleaning depends on the environment in which the fixture operates: damp, smoky or particularly dirty environments can cause greater accumulation of dirt on the fixture's optics. Clean periodically with a soft cloth to avoid dirt/debris accumulation.

NEVER use alcohol, solvents, or ammonia-based cleaners.

MAINTENANCE

Regular inspections are recommended to insure proper function and extended life. There are no user serviceable parts inside this fixture. Please refer all other service issues to an authorized Elation service technician. Should you need any spare parts, please order genuine parts from an authorized Elation dealer.

Please refer to the following points during routine inspections:

- A detailed electrical check by an approved electrical engineer every three months, to make sure the circuit contacts are in good condition and prevent overheating.
- Be sure all screws and fasteners are securely tightened at all times. Loose screws may fall out during normal operation, resulting in damage or injury as larger parts could fall.
- Check for any deformations on the housing, color lenses, rigging hardware and rigging points (ceiling, suspension, trussing). Deformations in the housing could allow for dust to enter into the fixture. Damaged rigging points or unsecured rigging could cause the fixture to fall and seriously injure a person(s).
- Electric power supply cables must not show any damage, material fatigue or sediments.

SPECIFICATIONS

SOURCE

(560) 1.5W RGB LEDs
(200) 5W CW Strobe LEDs
50,000 Hour Average LED Life*

*Test lab conditions. May vary depending on several factors including but not limited to: Environmental Conditions, Power/Voltage, Usage Patterns (On-Off Cycling), Control and Dimming.

PHOTOMETRIC DATA

Total Lumen Output:
Integrating Sphere
All LED: 10,400 Lumens
CW LED: 13,327 Lumens
RGB LED: 5034 Lumens
CRI: TBD
Beam Angle: TBD
Field Angle: TBD

EFFECTS

20 Zones of RGB Plate LEDs (10 x 2)
20 Zones of CW Strobe LEDs (10 x 2)
10 Zones of RGB StrobeLine LED's (10 x 1)
1- 20Hz Strobe Rate
Library of Customizable RGB and CW Strobe Effects
Variable Dimming Modes and Curves

COLOR

RGB Color Array

CONTROL / CONNECTIONS

9 DMX Channel Modes (3ch, 11ch, 22ch, 34ch, 52ch, 124ch, 77ch, 132ch, 110ch)
4 Button Control Panel, LED Display
Aria x2 Wireless Device Management
RDM (Remote Device Management)
IP65 5pin XLR DMX In/Out
IP65 RJ45 Ethernet In/Out (Art-Net, sACN, KlingNet)
IP65 Locking Power Cable In/Out

SIZE / WEIGHT

Length: 19.7" (501.2mm)
Width: 7.9" (200mm)
Vertical Height: 8.11" (206.1mm)
Weight: 15.9 lbs. (7.2 kg)

ELECTRICAL / THERMAL

AC 100-240V - 50/60Hz
Max Power Consumption 750W
Power Thru Capacity: @110V: 2 units;
@240V: 5 units
5°F to 113°F (-15°C to 45°C)
BTU/hr (+/- 10%) 2557.5

INCLUDED ITEMS

Safety Cable
IP65 Locking Power Cable
Fixture Interconnect Splice

OPTIONAL ITEMS

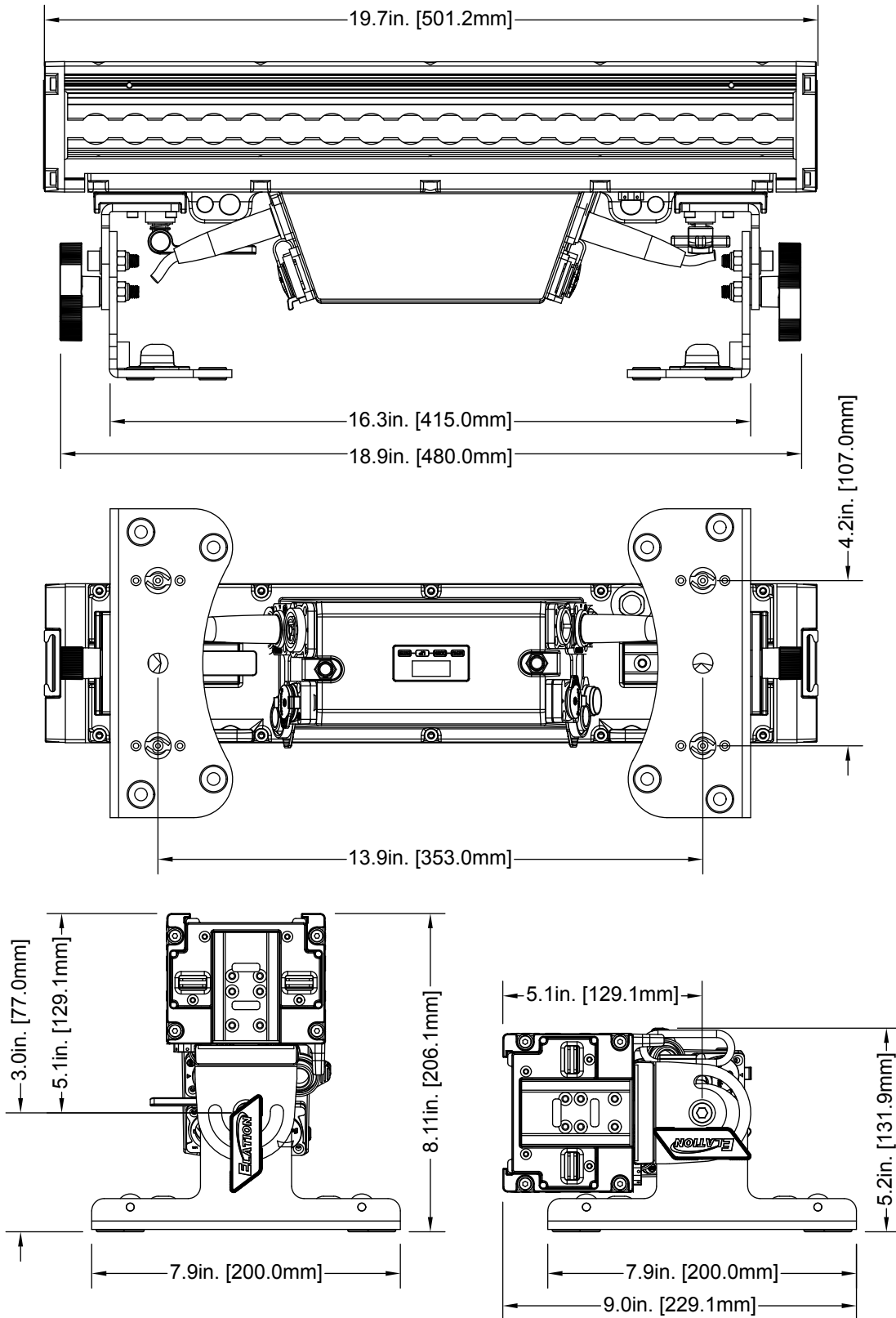
BAR S NSP Lens (BLS021)
BAR S WFL Lens (BLS061)
BAR S XFL Lens (BLS101)
BAR S L140 Lens (BLS141)
BAR S L1060 Lens (BLS161)
8050000053 - Omega Bracket (Qty.2)
Fixture Interconnect Splice Package (FISP06)
L-Track to M10 Adapter, 70mm (LTR001)
L-Track to M10 Adapter, 44.5mm (LTR008)
L Track C-Clamp & Adapter Assembly, 70mm (LTR100)
L Track C-Clamp & Adapter Assembly, 44.5mm (LTR112)
Interconnect Clamp Adapter (FICA01)

APPROVALS / RATINGS

CE | cETLus | IP65 | FCC | UKCA

DIMENSION DRAWINGS

Drawings not to scale



ORDERING INFORMATION

| SKU US/EU | | ITEM DESCRIPTION |
|---------------|------------|---|
| SIX226 | 1237000341 | PULSE BAR S |
| BLS061 | 1223200108 | BAR S WFL |
| BLS021 | 1223200117 | BAR S NSP |
| BLS101 | 1223200116 | BAR S XFL |
| BLS141 | 1223200115 | BAR S L140 |
| BLS161 | 1223200114 | BAR S L1060 |
| SPHDY | 1236300112 | SÖL/PULSE HD YOKE |
| FISP06 | 1236300110 | Fixture Interconnect Splice Package |
| LTR001 | N/A | L-Track to M10 Adapter, 70mm |
| LTR008 | N/A | L-Track to M10 Adapter, 44.5mm |
| LTR100 | N/A | L-Track C-Clamp & Adapter Assembly 70mm |
| LTR112 | N/A | L-Track C-Clamp & Adapter Assembly 44.5mm |
| TRIGGER CLAMP | N/A | Heavy Duty Wrap Around Hook Style Clamp |
| STR527 | N/A | 5 ft. (1.5m) IP65 5pin XLR Cable |



FCC STATEMENT

This device complies with Part 15 of the FCC Rules. Operation is subject to the following two conditions: (1) this device may not cause harmful interference, and (2) this device must accept any interference received, including interference that may cause undesired operation.

FCC RADIO FREQUENCY INTERFERENCE WARNINGS & INSTRUCTIONS

This product has been tested and found to comply with the limits as per Part 15 of the FCC Rules. These limits are designed to provide reasonable protection against harmful interference in a residential installation. This device uses and can radiate radio frequency energy and, if not installed and used in accordance with the included instructions, may cause harmful interference to radio communications. However, there is no guarantee that interference will not occur in a particular installation. If this device does cause harmful interference to radio or television reception, which can be determined by turning the device off and on, the user is encouraged to try to correct the interference by one or more of the following methods:

- Reorient or relocate the device.
- Increase the separation between the device and the receiver.
- Connect the device to an electrical outlet on a circuit different from which the radio receiver is connected.
- Consult the dealer or an experienced radio/TV technician for help.

Energy Saving Matters (EuP 2009/125/EC)

Saving electric energy is a key to help protecting the environment. Please turn off all electrical products when they are not in use. To avoid power consumption in idle mode, disconnect all electrical equipment from power when not in use. Thank you!

