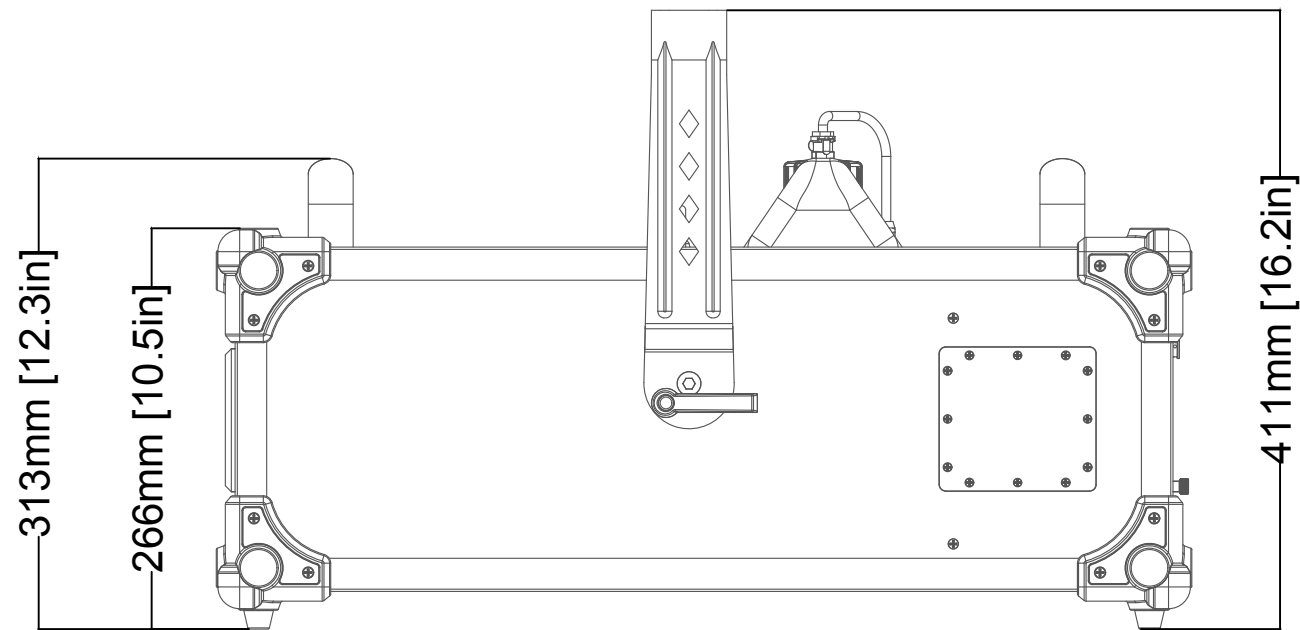
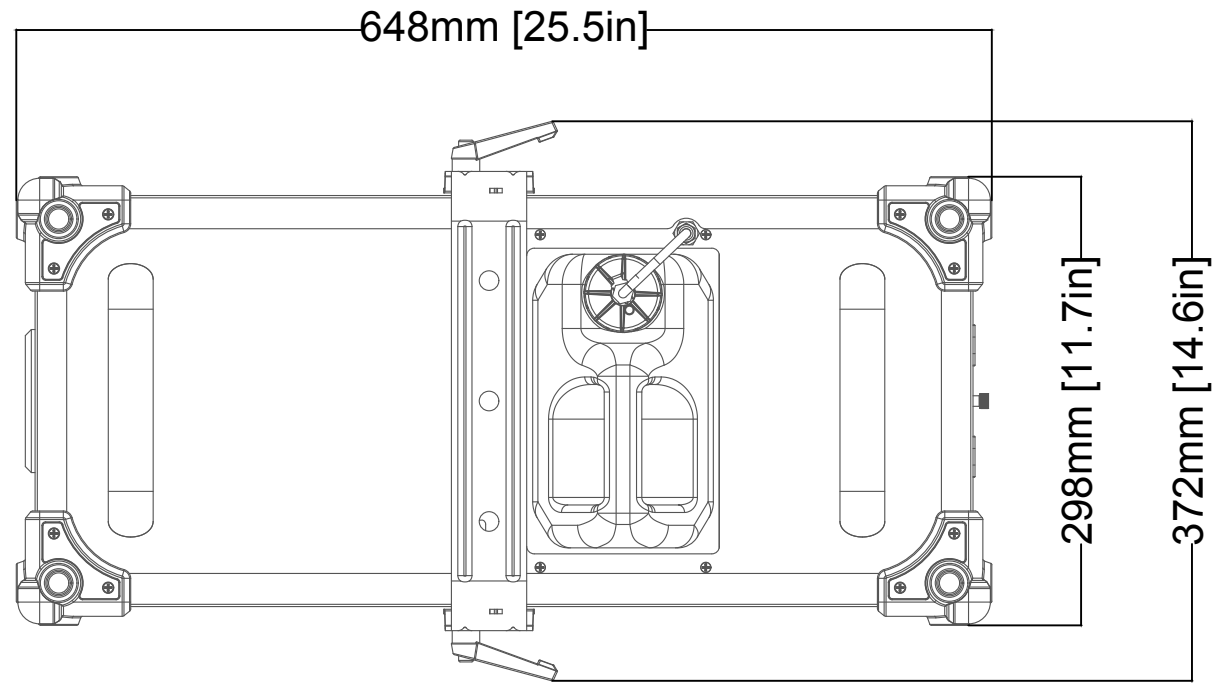


©MAGMATIC all rights reserved. Information contained within this drawing is proprietary and confidential. Any reproduction and/or distribution of any part of this drawing without the written consent of Magmatic is strictly prohibited. Diagrams and/or measurements herein subject to change without notice.



MAGMATIC

TITLE: Magmatic Magma Fog 1500IP-II		DATE: 30-Apr-2024	
SCALE: NONE	TOL: ±	.XX(.X) -	.XXX(.XX) - ANGLE: -