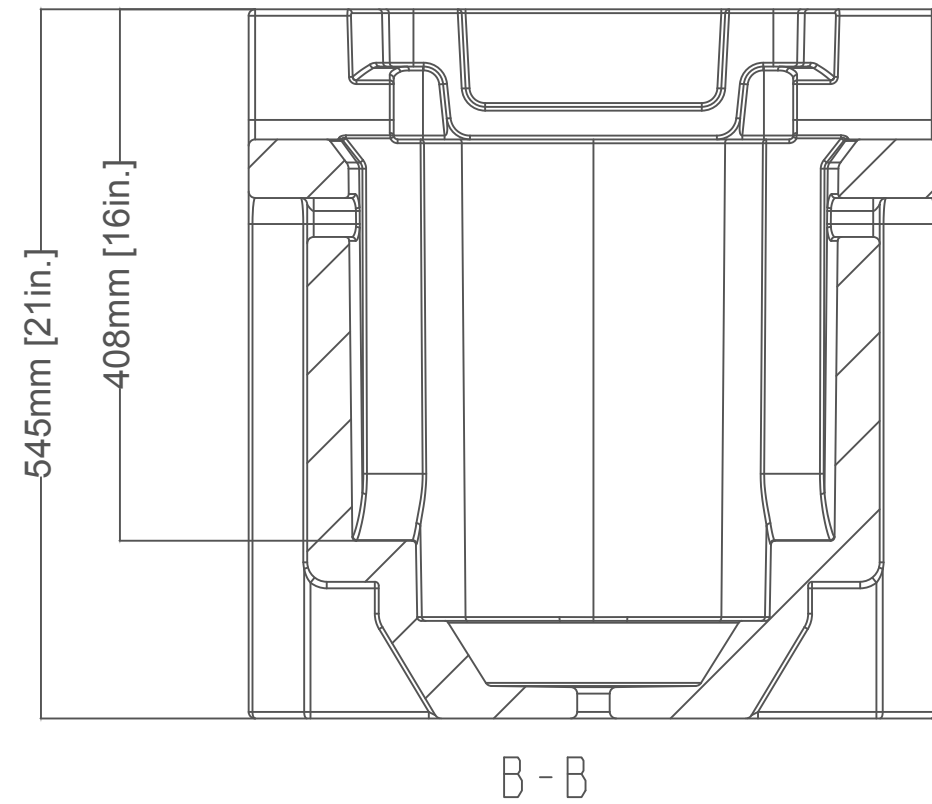
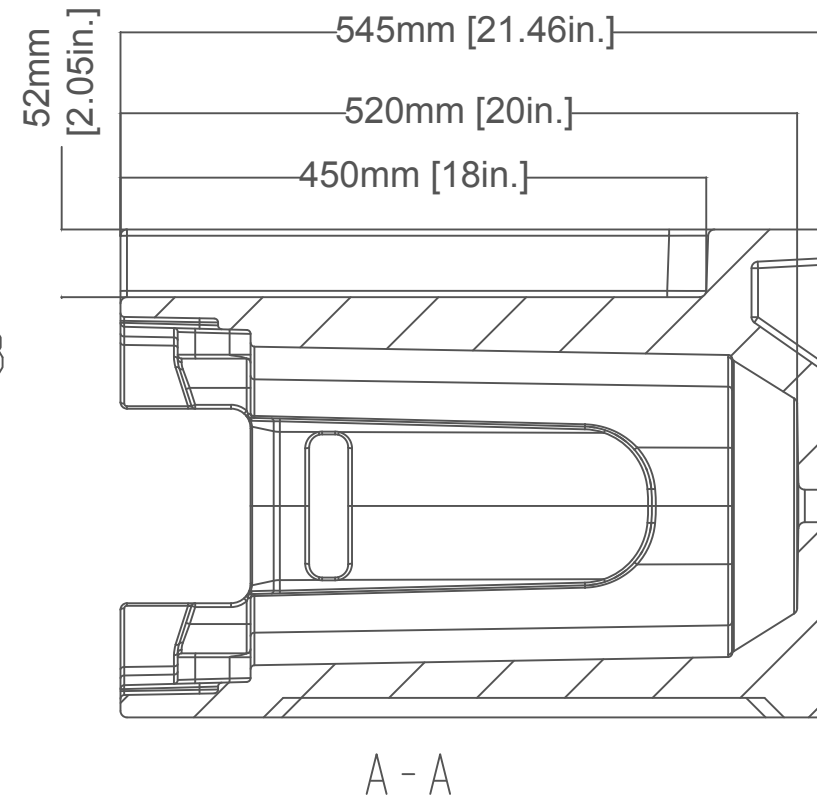
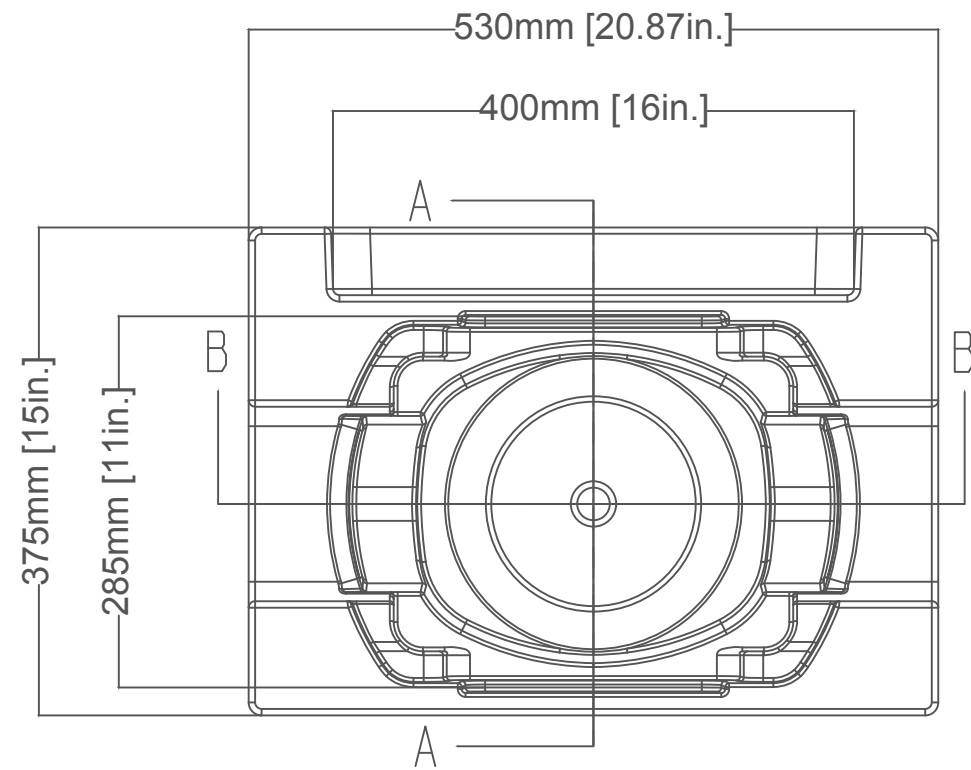


©ELATION all rights reserved. Information contained within this drawing is proprietary and confidential. Any reproduction and/or distribution of any part of this drawing without the written consent of Elation Professional is strictly prohibited. Diagrams and/or measurements herein subject to change without notice.



ELATION

TITLE: Elation Proteus Radius FIL		DATE: 11-MAR-2024	
SCALE: NONE	TOL: ±	.XX(.X) -	.XXX(.XX) -
		ANGLE: -	