



## KEY FEATURES

(480) 1.5W RGB LED's in 20 Zones

(200) 5W CW Strobe LED's in 10 Zones

(80) 1.5W RGB Strobeline LED's in 10 Zones

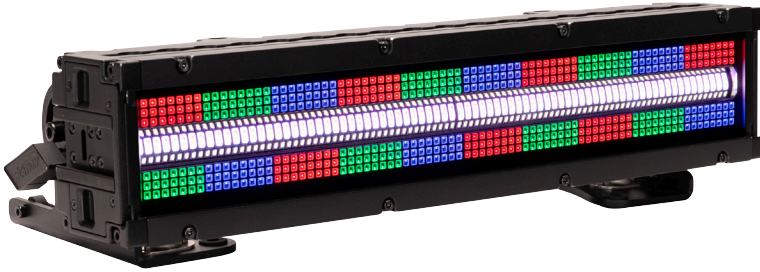
Completely Fanless Cooling

Integrated L Track for Flexible Mounting

Unique End-to-End Interconnection System

Art-Net, sACN and KlingNet Support

IP65 Rated



Ignite excitement and get the crowd pumping with the new **PULSE BAR S!** The first in an innovative Pulse line of strobe lights, the Pulse Bar is a highly impactful strobe and visual effect bar that injects dynamism and spark into any performance!

Measuring half a meter in length, the **PULSE BAR S** incorporates 480 1.5W RGB LEDs distributed across 20 zones along its perimeter. Additionally, it features a central strobe line equipped with 200 5W cool-white LEDs across 20 zones, complemented by 80 1.5W RGB LEDs arranged in 10 zones at its core. When combined, these components deliver an output exceeding 13,327 total lumens.

Infuse your performance with intense, attention-grabbing moments of white or colored light that enhance the energy of the moment. Add impact with rhythmic flashes that synchronize with the music or craft special effects that make for a more visually stimulating experience. Ideal for direct view applications, zone control opens up for a myriad of design possibilities.

The **PULSE BAR S** includes a library of customizable RGB and CW strobe effects along with variable dimming modes and curves for quick programming. Wrapped in a durable, fully IP65-rated housing, the **PULSE BAR S** is suitable for any environment, indoors or outdoors, and its marine grade coating adds additional protection for harsher environments- even coastal locations.

The fanless convection cooling of the **PULSE BAR S** guarantees silent operation, making it ideal for noise-sensitive environments. Designed for ultimate flexibility, an integrated accessory slot accommodates optional diffusion filters, ND filters and other optics.

The **PULSE BAR S's** innovative housing allows for end-to-end interconnection and includes integrated L track for flexible mounting and positioning. Trunnions designed for attachment to the L track can be fixed at multiple points to optimize positioning around objects or obstacles.

Controlled via DMX/RDM, Art-Net, sACN, and KlingNet protocols, the **PULSE BAR S** also features proprietary Aria x2 wireless device management for simplified system setup and maintenance.

When the moment calls for high-impact bursts of light and visually striking effects, look no further. The **PULSE BAR S** delivers!



### SOURCE

(560) 1.5W RGB LEDs  
(200) 5W CW Strobe LEDs  
50,000 Hour Average LED Life\*

\*Test lab conditions. May vary depending on several factors including but not limited to: Environmental Conditions, Power/Voltage, Usage Patterns (On-Off Cycling), Control and Dimming.

### PHOTOMETRIC DATA

Total Lumen Output:  
Integrating Sphere  
All LED: 10,400 Lumens  
CW LED: 13,327 Lumens  
RGB LED: 5034 Lumens  
CRI: TBD  
Beam Angle: TBD  
Field Angle: TBD

### EFFECTS

20 Zones of RGB Plate LEDs (10 x 2)  
20 Zones of CW Strobe LEDs (10 x 2)  
10 Zones of RGB StrobeLine LED's (10 x 1)  
1- 20Hz Strobe Rate  
Library of Customizable RGB and CW Strobe Effects  
Variable Dimming Modes and Curves

### COLOR

RGB Color Array

### CONTROL / CONNECTIONS

9 DMX Channel Modes (3ch, 11ch, 22ch, 34ch, 52ch, 124ch, 77ch, 132ch, 110ch)  
4 Button Control Panel, LED Display  
Aria x2 Wireless Device Management  
RDM (Remote Device Management)  
IP65 5pin XLR DMX In/Out  
IP65 RJ45 Ethernet In/Out (Art-Net, sACN, KlingNet)  
IP65 Locking Power Cable In/Out

### SIZE / WEIGHT

Length: 19.7" (501.2mm)  
Width: 7.9" (200mm)  
Vertical Height: 8.11" (206.1mm)  
Weight: 15.9 lbs. (7.2 kg)

### ELECTRICAL / THERMAL

AC 100-240V - 50/60Hz  
Max Power Consumption 750W  
Power Thru Capacity: @110V: 2 units;  
@240V: 5 units  
5°F to 113°F (-15°C to 45°C)  
BTU/hr (+/- 10%) 2557.5

### INCLUDED ITEMS

Safety Cable  
IP65 Locking Power Cable  
Fixture Interconnect Splice

### OPTIONAL ITEMS

BAR S NSP Lens (BLS021)  
BAR S WFL Lens (BLS061)  
BAR S XFL Lens (BLS101)  
BAR S L140 Lens (BLS141)  
BAR S L1060 Lens (BLS161)  
# 8050000053 - Omega Bracket (Qty.2)  
Fixture Interconnect Splice Package (FISP06)  
L-Track to M10 Adapter, 70mm (LTR001)  
L-Track to M10 Adapter, 44.5mm (LTR008)  
L Track C-Clamp & Adapter Assembly, 70mm (LTR100)  
L Track C-Clamp & Adapter Assembly, 44.5mm (LTR112)  
Interconnect Clamp Adapter (FICA01)

### APPROVALS / RATINGS

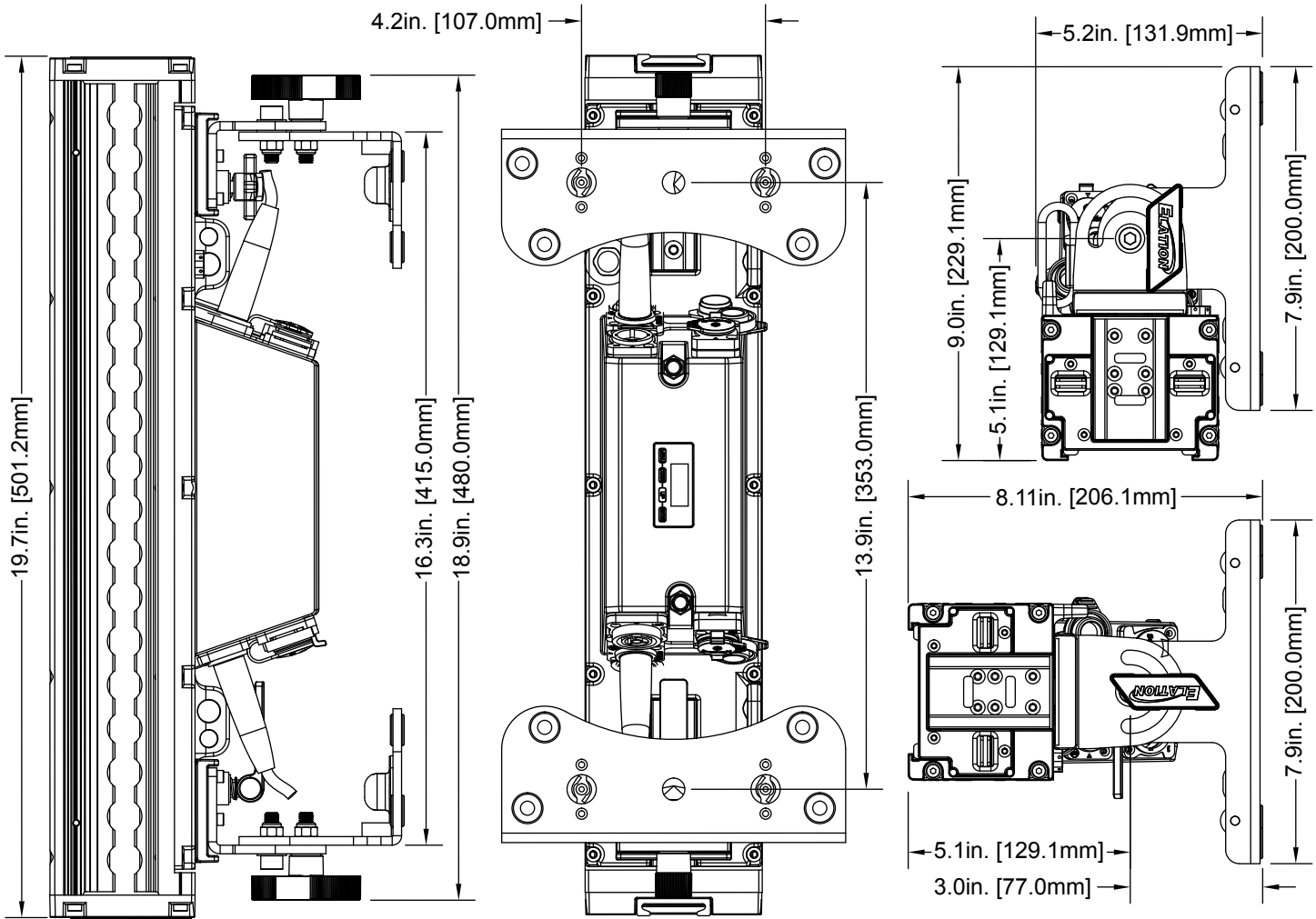
CE | cETLus | IP65 | FCC | UKCA





## IP65 Strobe Bar, 1/2 Meter

## DIMENSIONAL DRAWING



## ORDERING INFORMATION

PUL013	1237000345	PULSE BAR S
BLS021	1223200117	BAR S NSP
BLS061	1223200108	BAR S WFL
BLS101	1223200116	BAR S XFL
BLS141	1223200115	BAR S L140
BLS161	1223200114	BAR S L1060
8050000053	PENDING	OMEGA BRACKET
FISPO6	1236300110	FIXTURE INTERCONNECT SPLICE PACKAGE
LTR001	PENDING	L-Track to M10 Adapter, 70mm
LTR008	PENDING	L-Track to M10 Adapter, 44.5mm
LTR100	PENDING	L-Track C-Clamp & Adapter Assembly, 70mm
LTR112	PENDING	L-Track C-Clamp & Adapter Assembly, 44.5mm
FICA01	PENDING	INTERCONNECT CLAMP ADAPTER

