



PAR FC IP



360W RGBMA IP65 LED Par

DATA SHEET



KEY FEATURES

- 360W RGBMA LED Engine
- ColourTune Technology Software Integration
- 11,263 Total Fixture Lumen Output (Sphere)
- Field Replaceable Lenses
- Stand-Alone Control with Touch Encoder and OLED Display
- Smooth 16-bit Selectable Dimming Modes and Curves
- Remote LED Refresh Rate and Fan Speed Adjustment
- Flicker Free Operation for TV and FILM
- RDM (Remote Device Management)
- 7.5" Gel Frame and Four Lenses (10°, 22°, 30°, 55°) Included
- IP65 Rated

The **KL PAR FC IP™** is a compact full-color-spectrum IP65 rated LED fixture that provides high output, precise color temperature control, full-spectrum color rendering, and even wash coverage. Offering powerful color intensity and a wide array of saturated and pastel colors from its efficient RGBMA engine, it is also optimized for the tunable white light requirements of Film and Television.

The **KL PAR FC IP** is an ideal key, fill, and area wash light source for outdoor events and any production requiring outstanding performance, color quality and weather protection. It incorporates a highly efficient 5-in-1 (RGBMA) LED engine that produces up to 11,263 field lumens, brighter than existing 750W Tungsten PAR fixtures, and is delivered with multiple lens choices that are easy to replace in the field. With the new ColourTune Technology software the fixture offers outstanding color rendering with a high CRI of 94.9 and TLCI of 95, fully variable 16bit CCT control, and remotely adjustable LED refresh frequency makes this unit the perfect choice for today's fast-paced production environments. Rugged and portable, the fixture can be suspended using any standard clamp or floor mounted using the integrated stand. It is fully self-contained without the need for an external power supply and offers locking power pass-through for easy linking of multiple units.

The **KL PAR FC IP** can be operated through industry-standard DMX protocols and has full RDM support. In addition, it offers manual access and standalone operation using the included touch bar encoder and display, providing instant control of Intensity, Color Temperature, Green shift, and other important settings. The display and encoder are conveniently positioned at the backside of the fixture to ensure unobstructed access when mounted.





PAR FC IP



360W RGBMA IP65 LED Par

SPECIFICATIONS

SOURCE

360W 6000K RGBMA LED Engine
50,000 Hour Average LED Life*

*May vary depending on several factors including but not limited to:
Environmental Conditions, Power/Voltage, Usage Patterns (On-Off Cycling),
Control and Dimming.

PHOTOMETRIC DATA

Total Lumen Output:
11,263 (Integrating Sphere)
10,900 (Goniometer)
CRI 94.9
TLCI 95

INCLUDED LENSES

VNSP (10°)
NSP (22°)
MFL (30°)
WFL (55°)

EFFECTS

Electronic Dimmer and Strobe
Variable 16-bit Dimming Modes and Curves

COLOR

High Brightness and High Fidelity Output
Options
RGBMA Color Array
CMY Emulation
16bit Fully Variable CCT 2400K - 8500K
Green/Magenta Shift
Dim-to-Warm Fade
Virtual Gel Swatch Book

CONTROL / CONNECTIONS

8 DMX Channel Modes (1, 6, 11, 18, 19, 9, 14,
15)
Manual and DMX Controlled Dimmer and Color
Single Touch Bar Encoder
4 Button Control Panel, LED Display
RDM (Remote Device Management)
IP65 5pin DMX and IP65 Locking Power Cable
In/Out

SIZE / WEIGHT

Length: 8.5" (217mm)
Width: 12.0" (304mm)
Vertical Height: 17.8" (453.3mm)
Weight: 16.53 lbs. (7.5kg)

ELECTRICAL / THERMAL

AC 100-240V - 50/60Hz
375W Max Power Consumption
Power Thru Capacity: 10A (2 units @ 115V, 6
units @ 240V)
5°F to 113°F (-15°C to 45°C)
BTU/hr (+/- 10%) 1278.75

INCLUDED ITEMS

7.5" Gel Frame
4 Lenses (11°, 22°, 30°, 55°)
IP65 Locking Power Cable

OPTIONAL ITEMS

7.5" Barndoors
XWFL (90°) Lens
23° Ovalizer Lens
#8050000053 (Omega Bracket)
4 Wire Hardwire Installation Plate (HWP404)
2 Wire Hardwire Installation Plate (HWP202)

APPROVALS / RATINGS

CE | cETLus | IP65 | FCC | UKCA



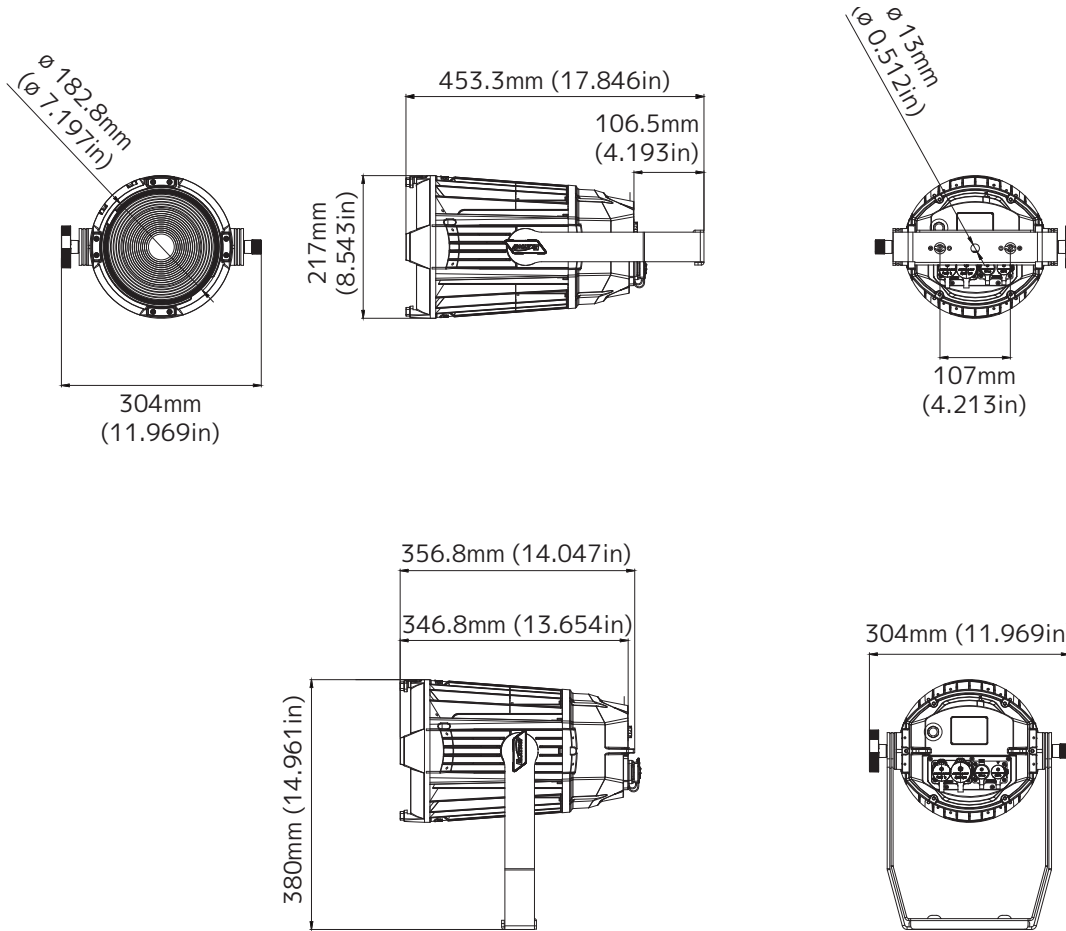


PAR FC IP



360W RGBMA IP65 LED Par

UNIT DIMENSIONS



ORDERING INFORMATION

KLP528	1237000279	KL Par FC IP
KLP959	1236100143	7.5" Barn Doors
KLP987	1236100144	KL Par XWFL Lens
KLP988	1236100145	KL Par Glass Lens
KLP993	1236100192	KL Par Ovalizer Lens
8050000053	8050000053	Omega Bracket
HWP404	PENDING	4 Wire Hardwire Plate
HWP202	PENDING	2 Wire Hardwire Plate



Specifications are subject to change without notice ©Elation Professional 01/17/2025
 Elation Professional USA | 6122 S. Eastern Ave. | Los Angeles, CA. 90040
 323-582-3322 | 323-832-9142 fax | www.elationlighting.com | info@elationlighting.com

Elation Professional B.V. | Junostraat 2 | 6468 EW Kerkrade, The Netherlands
 +31 45 546 85 66 | +31 45 546 85 96 fax | www.elationlighting.eu | info@elationlighting.eu