



SIX+ PAR S



7x 20W RGBLA+UV LED Par

DATA SHEET



KEY FEATURES

- (7) 20W RGBLA+UV LED Array
- 4,570 Total Fixture Lumen Output (Sphere)
- 91.7 CRI
- 12° Beam Angle, MFL (20°) Lens Included
- Completely Fanless Cooling
- 16-bit Selectable Dimming Modes and Curves
- Remote LED Refresh Rate
- Flicker Free Operation for TV and Film
- Optional 7.5" Accessory Holder
- IP65 Rated

The **SIX+ PAR S** is a compact and rugged LED fixture that features (7) 20W RGBLA+UV LED's, which produce an ultra-wide color spectrum and high quality of light while still offering up to 4,570 lumens of output.. The optical system has been carefully engineered to offer an even distribution of light and color homogenization within the beam. This fixture has been designed to offer ultimate flexibility, use it indoors or out, it's IP65 rating can handle any environment, and with it's C4-M marine grade coating, it's even safe in harsh coastal environments. The fanless cooling system ensures silent operation allowing it to be installed in the most noise sensitive environments.

With a six color LED array, the **SIX+ PAR S** is able to offer outstanding color rendering capabilities with a high CRI of 91.7. This, paired with its remotely variably LED refresh frequency allows it to be easily integrated into any TV and Film application. To expand the control capabilities on the **SIX+ PAR S**, precise color temperature control via a dedicated variable CCT control channel has been integrated. Programming a six-color LED fixture can be complicated so, a CMY emulation mode has been added for users that are more familiar with that color mixing system. Furthermore, an integrated library of calibrated color presets that match the most popular gel filters has been included. This new fixture also includes our new Aria x2 wireless device management system for easy system maintenance and support.

The IP65 housing includes a dedicated diffusion lens holder and the optional gel frame holder can accommodate industry standard 7.5" accessories. One MFL (20°) lens is included with the fixture, and other optional lenses are also available. The dual yoke design allows the fixture to be mounted on the floor or it can be easily rigged to hang with a c-clamp or by using the included omega bracket receiver.

To ensure the **SIX+ PAR S** can be integrated seamlessly alongside original SixPar fixtures, great care has been taken to ensure that the new LED array colors match the original. A unique SixPar Emulation DMX mode has been developed, so that the new fixtures can be controlled with the same DMX mapping as the original. The color mixing has also been calibrated to virtually emulate the White LED included in the SixPar array and an output limit master setting has been added so your new lights don't overpower any older fixtures in the rig.

The **SIX+ PAR S** is an ideal fixture for Theatre, Houses of Worship, Live Events, Themed Environments, Hospitality or Installations where high output, small form factor, simple design and easy deployability are required.





SIX+ PAR S

7x 20W RGBLA+UV LED Par



SPECIFICATIONS

SOURCE

(7) x 20W RGBLA+ UV LEDs
30,000 Hour Average LED Life

*Test lab conditions. May vary depending on several factors including but not limited to: Environmental Conditions, Power/Voltage, Usage Patterns (On-Off Cycling), Control, and Dimming.

PHOTOMETRIC DATA

Total Lumen Output
4,570 (Integrating Sphere)
4,329 (Goniometer)
CRI - 91.7
TCLI- 81

EFFECTS

Electronic Dimmer and Strobe
Variable 16-bit Dimming Modes and Curves

COLOR

RGBLA+ UV Color Array
CMY Emulation
Variable CCT 2400K - 8500K
Virtual Gel Swatch Book

CONTROL / CONNECTIONS

9 DMX Channel Modes (1ch, 3ch, 9ch, 6ch, 9ch, 11ch, 14ch, 14ch, 20ch)
4 SixPar Emulation DMX Channel Modes (6ch, 7ch, 8ch, 12ch)
Manual and DMX Controlled Dimmer and Color
4 Button Control Panel, LED Display
Aria x2 Wireless Device Management
RDM (Remote Device Management)
5pin DMX and IP65 Locking Power Cable In/Out

SIZE / WEIGHT

Length: 7.4" (188mm)
Width: 9.7" (247.1mm)
Vertical Height: 9.1" (230mm)
Weight: 9.48 lbs / 4.30kg

ELECTRICAL / THERMAL

AC 100-240V - 50/60Hz
100W Max Power Consumption
Power Thru Capacity: 12 units @110V, 28 units @240V
5°F to 113°F (-15°C to 45°C)
BTU/hr (+/- 10%) 341

INCLUDED ITEMS

MFL (20°) Lens
Safety Cable
IP65 Locking Power Cable

OPTIONAL ITEMS

60° Lens (SIX+S WFL)
100° Lens (SIX+S XFL)
1°x 40° Lens (SIX+S L140)
10°x 60° Lens (SIX+S L1060)
Gel Frame & Holder Kit (SIX+S GFK)
7.5" Barndoor (KLP959)
4 Wire Hardwire Installation Plate (HWP404)
2 Wire Hardwire Installation Plate (HWP202)
8050000053 - Omega Bracket

APPROVALS / RATINGS

CE | cETLus | UL | IP65c | FCC | UKCA



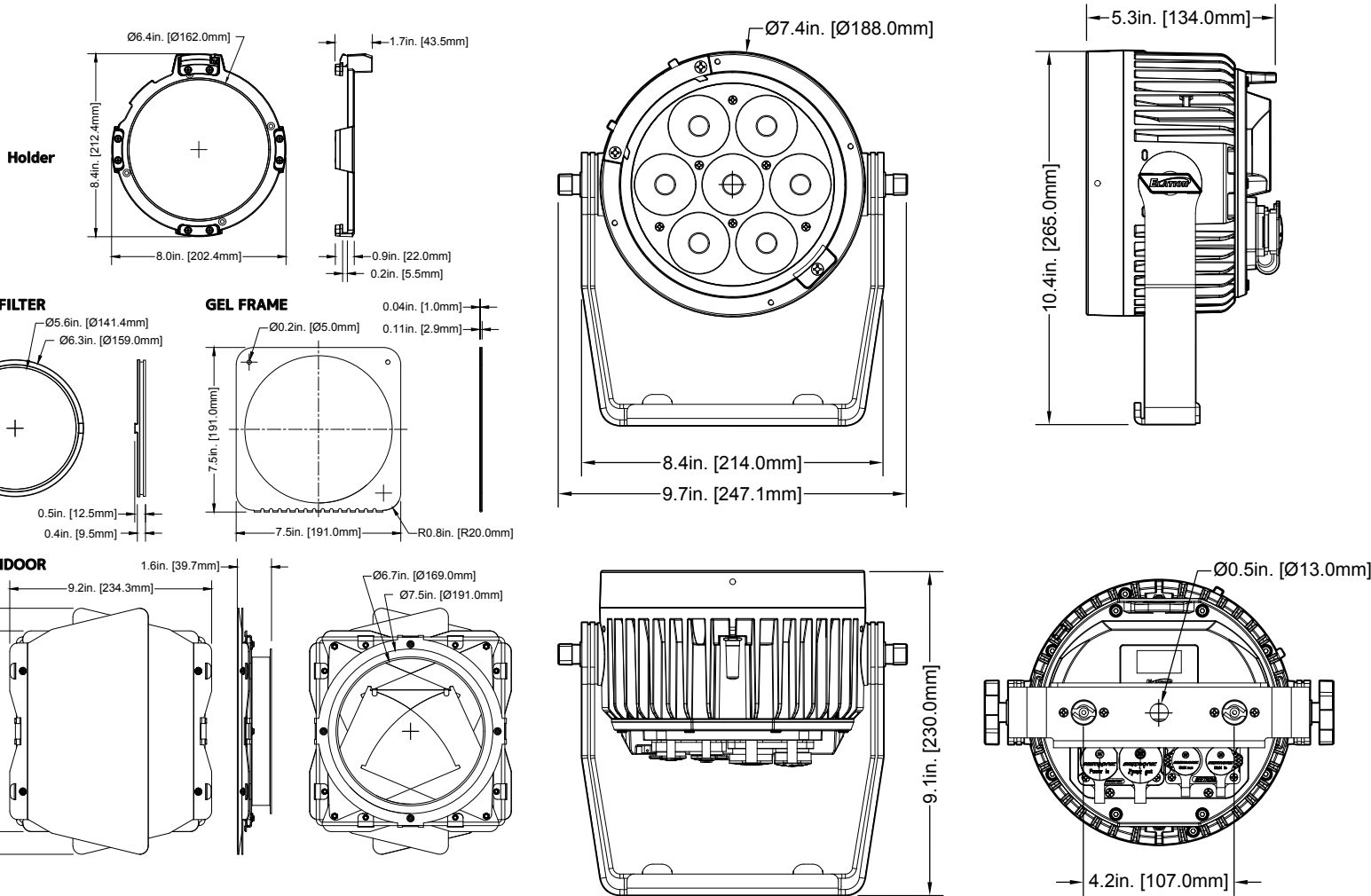


SIX+ PAR S



7x 20W RGBLA+UV LED Par

UNIT DIMENSIONS



ORDERING INFORMATION

SIX201	1237000275	SIX+ PAR S
SIX+S WFL	1223200104	60° lens
SIX+S XFL	1223200105	100° Lens
SIX+S L1060	1223200102	10°x60° Lens
SIX+S L140	1223200103	1°x40° Lens
SIX+S GFK	1621000164	Gel Frame Holder & Bumper
HWP404	PENDING	4 Wire Hardwire Plate
HWP202	PENDING	2 Wire Hardwire Plate



Specifications are subject to change without notice ©Elation Professional 06/12/2024
 Elation Professional USA | 6122 S. Eastern Ave. | Los Angeles, CA. 90040
 323-582-3322 | 323-832-9142 fax | www.elationlighting.com | info@elationlighting.com

Elation Professional B.V. | Junostraat 2 | 6468 EW Kerkrade, The Netherlands
 +31 45 546 85 66 | +31 45 546 85 96 fax | www.elationlighting.eu | info@elationlighting.eu