

ELATION[®]



KL CYC S
user manual

©2024 ELATION PROFESSIONAL all rights reserved. Information, specifications, diagrams, images, and instructions herein are subject to change without notice. ELATION PROFESSIONAL logo and identifying product names and numbers herein are trademarks of ELATION PROFESSIONAL. Copyright protection claimed includes all forms and matters of copyrightable materials and information now allowed by statutory or judicial law or hereinafter granted. Product names used in this document may be trademarks or registered trademarks of their respective companies and are hereby acknowledged. All non-ELATION brands and product names are trademarks or registered trademarks of their respective companies.

ELATION PROFESSIONAL and all affiliated companies hereby disclaim any and all liabilities for property, equipment, building, and electrical damages, injuries to any persons, and direct or indirect economic loss associated with the use or reliance of any information contained within this document, and/or as a result of the improper, unsafe, insufficient and negligent assembly, installation, rigging, and operation of this product.

Elation Professional USA | 6122 S. Eastern Ave. | Los Angeles, CA. 90040
323-582-3322 | 323-832-9142 fax | www.elationlighting.com | info@elationlighting.com

Elation Professional B.V. | Junostraat 2 | 6468 EW Kerkrade, The Netherlands
+31 45 546 85 66 | +31 45 546 85 96 fax | www.elationlighting.eu | info@elationlighting.eu

Elation Professional Mexico
AV Santa Ana 30 | Parque Industrial Lerma, Lerma, Mexico 52000
+52 (728) 282-7070

DOCUMENT VERSION



Due to additional product features and/or enhancements, an updated version of this document may be available online. Please scan the QR Code with your mobile device or visit www.elationlighting.eu for the latest revision/update of this manual, before installation and/or programming.

Date	Document Version	Software Version	DMX Channel Mode	Notes
10/18/2023	1.0	1.0.1A	1ch, 4ch, 4ch, 4ch, 12ch, 11ch, 16ch, 13ch, 20ch, 19ch, 32ch	Initial Release
03/15/2024	1.1	N/C	No Change	Updated Dimensional Drawings, Specifications
04/10/2024	1.2	N/C	No Change	Updated DMX Traits
05/01/2024	1.3	1.04	No Change	Updated DMX Traits
09/26/2024	1.4	N/C	No Change	Updated Specifications

CONTENTS

General Information	4
Limited Warranty	5
Safety Guidelines	6
Overview	8
Installation Guidelines	10
Art-Net, sACN Connection	14
Accessory Installation: Lens	15
Accessory Operation: Adjustable Glare Shield	16
Remote Device Management (RDM)	17
System Menu Software Update	18
Cyclorama Edgelight Feature	21
Dimmer Curves and Dimmer Modes	22
DMX Traits	23
Color Temperature	27
Virtual Gel Swatch Book Colors	28
Error Codes Pixel Grouping	29
Maintenance Guidelines	30
Specifications	31
Dimensional Drawings	32

GENERAL INFORMATION

INTRODUCTION

Please read and understand the instructions in this manual carefully and thoroughly before attempting to operate this device. These instructions contain important safety and use information. **This device is intended for use by professionals only, and is not suitable for private use.**

UNPACKING

Every device has been thoroughly tested and has been shipped in perfect operating condition. Carefully check the shipping carton for damage that may have occurred during shipping. If the carton is damaged, carefully inspect the device for damage, and be sure all accessories necessary to install and operate the device have arrived intact. In the event that damage has been found or parts are missing, please contact our customer support team for further instructions. Please do not return this device to your dealer without first contacting customer support. Please do not discard the shipping carton in the trash. Please recycle whenever possible.

BOX CONTENTS

1x Omega Bracket
1x Lens
1x Adjustable Glare Shield
IP65 Locking Power Cable

IP RATING

An IP rated lighting fixture has been designed with an enclosure that effectively protects the ingress (entry) of external foreign objects such as dust and/or water. The Ingress Protection (IP) rating system is commonly expressed as "IP" followed by two numbers (i.e. IP20), where the numbers define the degree of protection. The first digit (Foreign Bodies Protection) indicates the extent of protection against particles entering the fixture and the second digit (Water Protection) indicates the extent of protection against water entering the fixture.

An IP20 rated lighting fixture, such as this one, has been designed and tested to protect against the ingress of solids as small as the size of an adult finger (approximately 12.5mm), but is NOT protected against liquid intrusion of any kind.

CUSTOMER SUPPORT - Contact ELATION Service for any product related service and support needs. Also visit forums.elationlighting.com with questions, comments, or suggestions.

ELATION SERVICE USA - Monday - Friday 8:00am to 4:30pm PST
323-582-3322 | Fax 323-832-9142 | support@elationlighting.com

ELATION SERVICE EUROPE - Monday - Friday 08:30 to 17:00 CET
+31 45 546 85 63 | Fax +31 45 546 85 96 | support@elationlighting.eu

REPLACEMENT PARTS please visit parts.elationlighting.com

THERE ARE NO USER SERVICEABLE PARTS INSIDE THIS UNIT. DO NOT ATTEMPT ANY REPAIRS YOURSELF, AS DOING SO WILL VOID YOUR MANUFACTURER'S WARRANTY. DAMAGES RESULTING FROM MODIFICATIONS TO THIS FIXTURE AND/OR THE DISREGARD OF SAFETY INSTRUCTIONS AND GUIDELINES IN THIS MANUAL VOID THE MANUFACTURER'S WARRANTY AND ARE NOT SUBJECT TO ANY WARRANTY CLAIMS AND/OR REPAIRS.

It is strongly recommended to power the fixture down completely when not in use. Doing so will reduce wear on the fixture due to sustained or extended operational periods, thereby maximizing its operational lifespan.

LIMITED WARRANTY

- A. Elation Professional hereby warrants, to the original purchaser, Elation Professional products to be free of manufacturing defects in material and workmanship for a period of two years (730 days), and Elation Professional product rechargeable batteries to be free of manufacturing defects in material and workmanship for a period of six months (180 days), from the original date of purchase. This warranty excludes discharge lamps and all product accessories. This warranty shall be valid only if the product is purchased within the United States of America, including possessions and territories. It is the owner's responsibility to establish the date and place of purchase by acceptable evidence, at the time service is sought.
- B. For warranty service, send the product only to the Elation Professional factory. All shipping charges must be pre-paid. If the requested repairs or service (including parts replacement) are within the terms of this warranty, Elation Professional will pay return shipping charges only to a designated point within the United States. If any product is sent, it must be shipped in its original package and packaging material. No accessories should be shipped with the product. If any accessories are shipped with the product, Elation Professional shall have no liability what so ever for loss and/or or damage to any such accessories, nor for the safe return thereof.
- C. This warranty is void if the product serial number and/or labels are altered or removed; if the product is modified in any manner which Elation Professional concludes, after inspection, affects the reliability of the product; if the product has been repaired or serviced by anyone other than the Elation Professional factory unless prior written authorization was issued to purchaser by Elation Professional; if the product is damaged because not properly maintained as set forth in the product instructions, guidelines and/or user manual.
- D. This is not a service contract, and this warranty does not include any maintenance, cleaning or periodic check-up. During the periods as specified above, Elation Professional will replace defective parts at its expense, and will absorb all expenses for warranty service and repair labor by reason of defects in material or workmanship. The sole responsibility of Elation Professional under this warranty shall be limited to the repair of the product, or replacement thereof, including parts, at the sole discretion of Elation Professional. All products covered by this warranty were manufactured after January 1, 1990, and bare identifying marks to that effect.
- E. Elation Professional reserves the right to make changes in design and/or performance improvements upon its products without any obligation to include these changes in any products theretofore manufactured.
- F. No warranty, whether expressed or implied, is given or made with respect to any accessory supplied with the products described above. Except to the extent prohibited by applicable law, all implied warranties made by Elation Professional in connection with this product, including warranties of merchantability or fitness, are limited in duration to the warranty periods set forth above. And no warranties, whether expressed or implied, including warranties of merchantability or fitness, shall apply to this product after said periods have expired. The consumer's and/or dealer's sole remedy shall be such repair or replacement as is expressly provided above; and under no circumstances shall Elation Professional be liable for any loss and/or damage, direct and/or consequential, arising out of the use of, and/or the inability to use, this product.
- G. This warranty is the only written warranty applicable to Elation Professional products and supersedes all prior warranties and written descriptions of warranty terms and conditions heretofore published.

WARRANTY RETURNS

All returned service items whether under warranty or not, must be freight pre-paid and accompanied by a return authorization (R.A.) number. The R.A. number must be clearly written on the outside of the return package. A brief description of the problem, as well as the R.A. number, must also be written down on a piece of paper and included in the shipping container. If the unit is under warranty, you must provide a copy of your proof of purchase invoice. Items returned without an R.A. number clearly marked on the outside of the package will be refused and returned at customer's expense. You may obtain an R.A. number by contacting customer support.

SAFETY GUIDELINES

This fixture is a sophisticated piece of electronic equipment. To guarantee smooth operation, it is important to follow all instructions and guidelines in this manual. Elation Professional is not responsible for injury and/or damages resulting from the misuse of this fixture due to the disregard of the information printed in this manual. Only qualified and/or certified personnel should perform installation of this fixture and only the original rigging parts included with this fixture should be used for installation. Any modifications to the fixture and/or the included mounting hardware will void the original manufacturer's warranty and increase the risk of damage and/or personal injury.



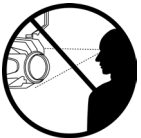
PROTECTION CLASS 1 - FIXTURE MUST BE PROPERLY GROUNDED.



THERE ARE NO USER SERVICEABLE PARTS INSIDE THIS UNIT. DO NOT ATTEMPT ANY REPAIRS YOURSELF, AS DOING SO WILL VOID YOUR MANUFACTURER'S WARRANTY. DAMAGES RESULTING FROM MODIFICATIONS TO THIS DEVICE AND/OR THE DISREGARD OF SAFETY INSTRUCTIONS AND GUIDELINES IN THIS MANUAL VOID THE MANUFACTURER'S WARRANTY AND ARE NOT SUBJECT TO ANY WARRANTY CLAIMS AND/OR REPAIRS.



**DO NOT PLUG THIS UNIT INTO A DIMMER PACK!
NEVER OPERATE THIS UNIT WITH THE CASING REMOVED!
DISCONNECT POWER BEFORE PERFORMING MAINTENANCE!
NEVER TOUCH DURING OPERATION, AS FIXTURE SURFACES MAY BE HOT!
KEEP FLAMMABLE MATERIALS AWAY FROM FIXTURE!**



SENSITIVE PERSONS MAY SUFFER AN EPILEPTIC SHOCK!



**FOR USE IN INDOOR OR DRY LOCATIONS ONLY!
DO NOT EXPOSE TO RAIN AND/OR MOISTURE!**



THIS FIXTURE IS IP20 RATED, AND HAS BEEN DESIGNED AND TESTED TO PROTECT AGAINST THE INGRESS OF SOLIDS AS SMALL AS THE SIZE OF AN ADULT FINGER (APPROXIMATELY 12.5MM), BUT IS NOT PROTECTED AGAINST LIQUID INTRUSION OF ANY KIND.

SAFETY GUIDELINES

DO NOT TOUCH the fixture housing during operation.

DO NOT shake fixture, and avoid brute force when installing and/or operating fixture.

DO NOT operate fixture if the power cord is frayed, crimped, damaged and/or if any of the power cord connectors are damaged or do not fit into the fixture securely with ease.

NEVER force a power cord connector into the fixture. If the power cord or any of its connectors are damaged, replace it immediately with a new one of the same power rating.

TURN OFF the power and allow approximately 15-minutes for the fixture to cool down before servicing.

ALWAYS disconnect fixture from power before performing any service and/or cleaning procedure.

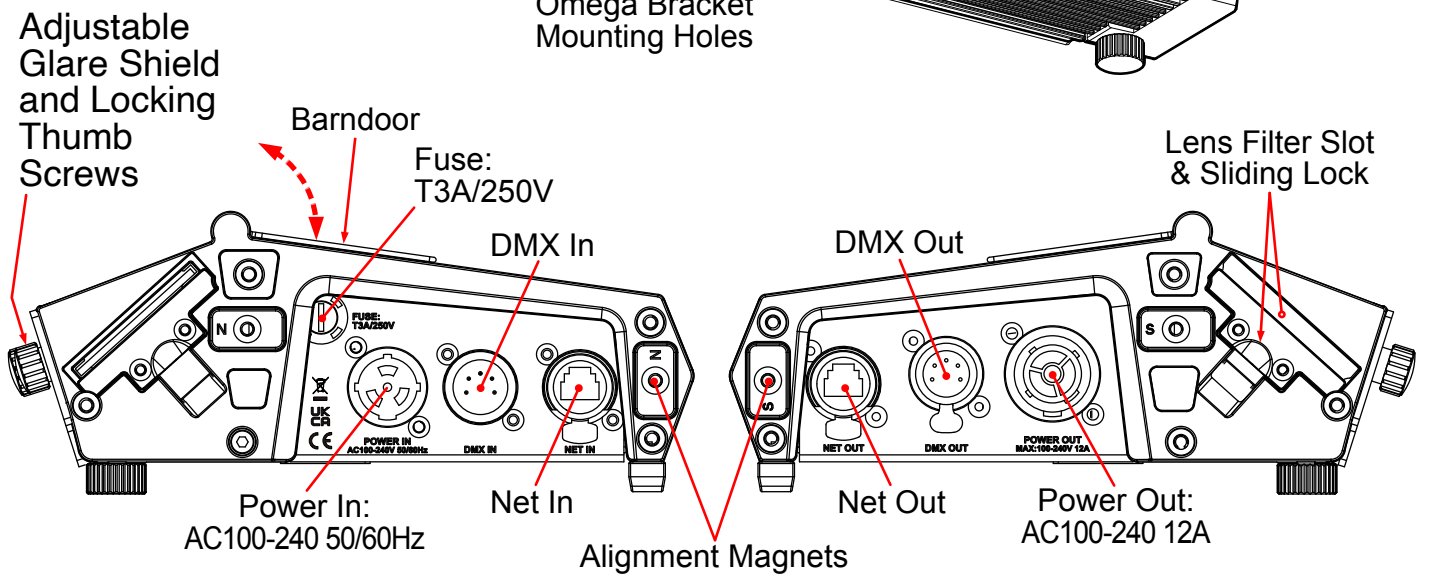
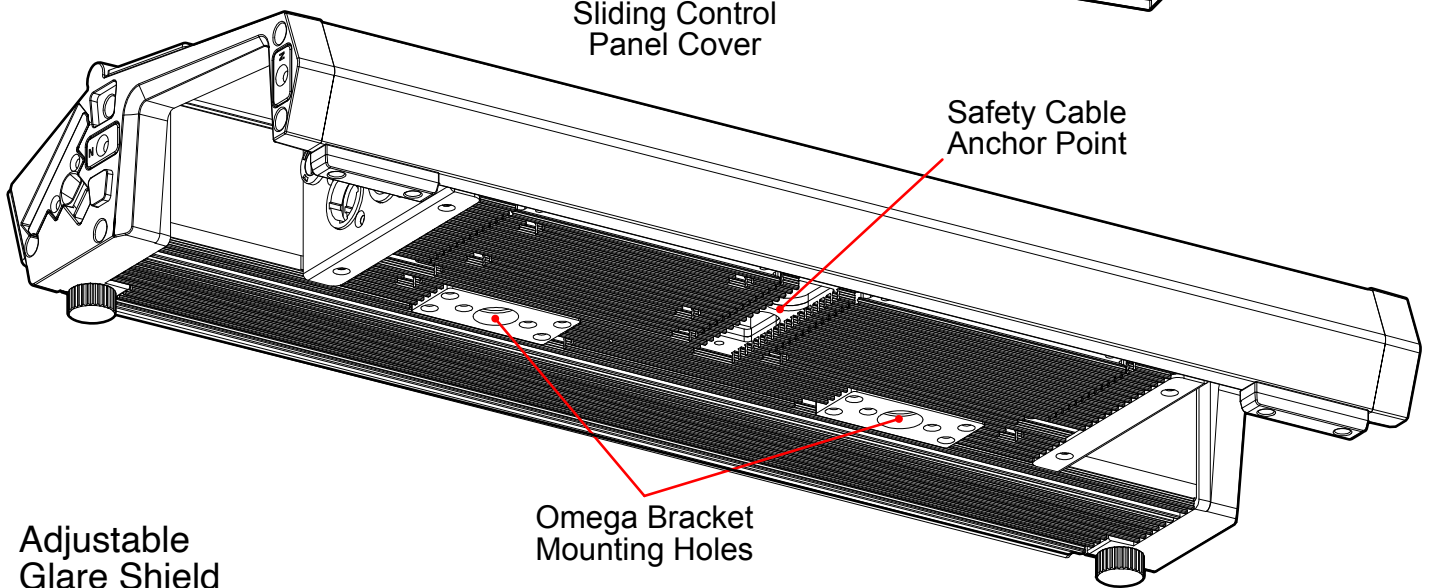
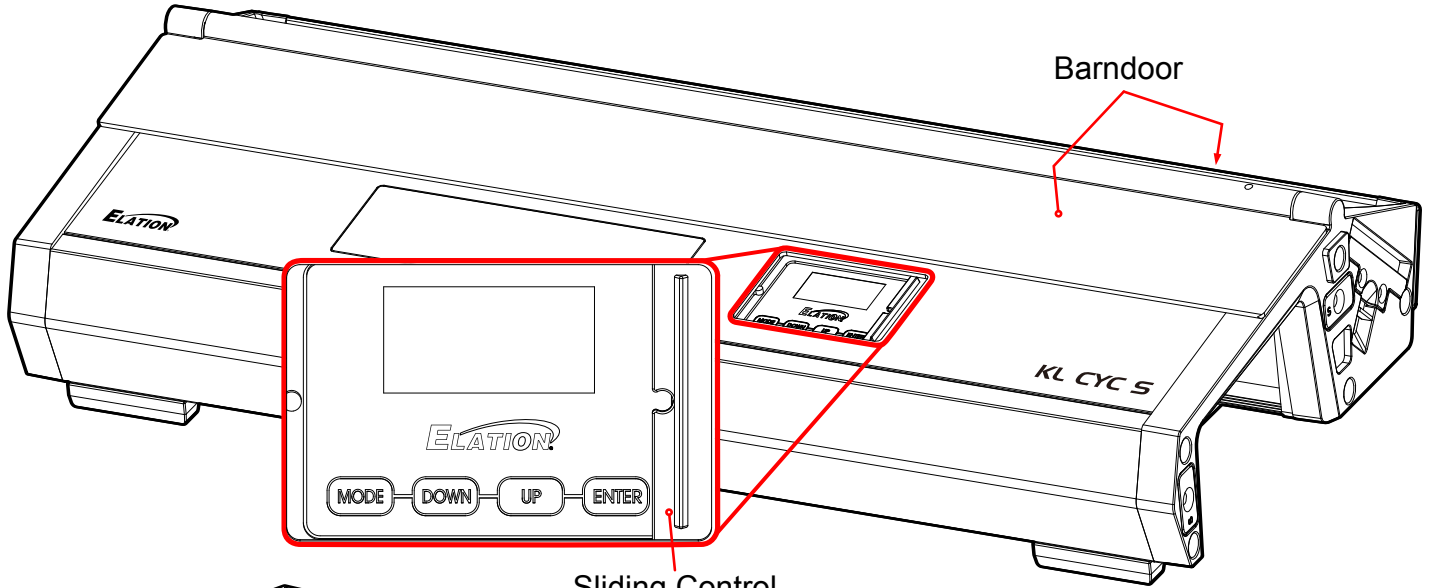
ONLY handle power cord by the plug end. Never pull plug out by tugging the wire portion of the cord.

During the initial operation of this fixture, a light smoke or smell may emit from the interior of the fixture. This is a normal process, which is caused by excess paint in the interior of the casing burning off from the heat associated with the LED and will decrease gradually over time.

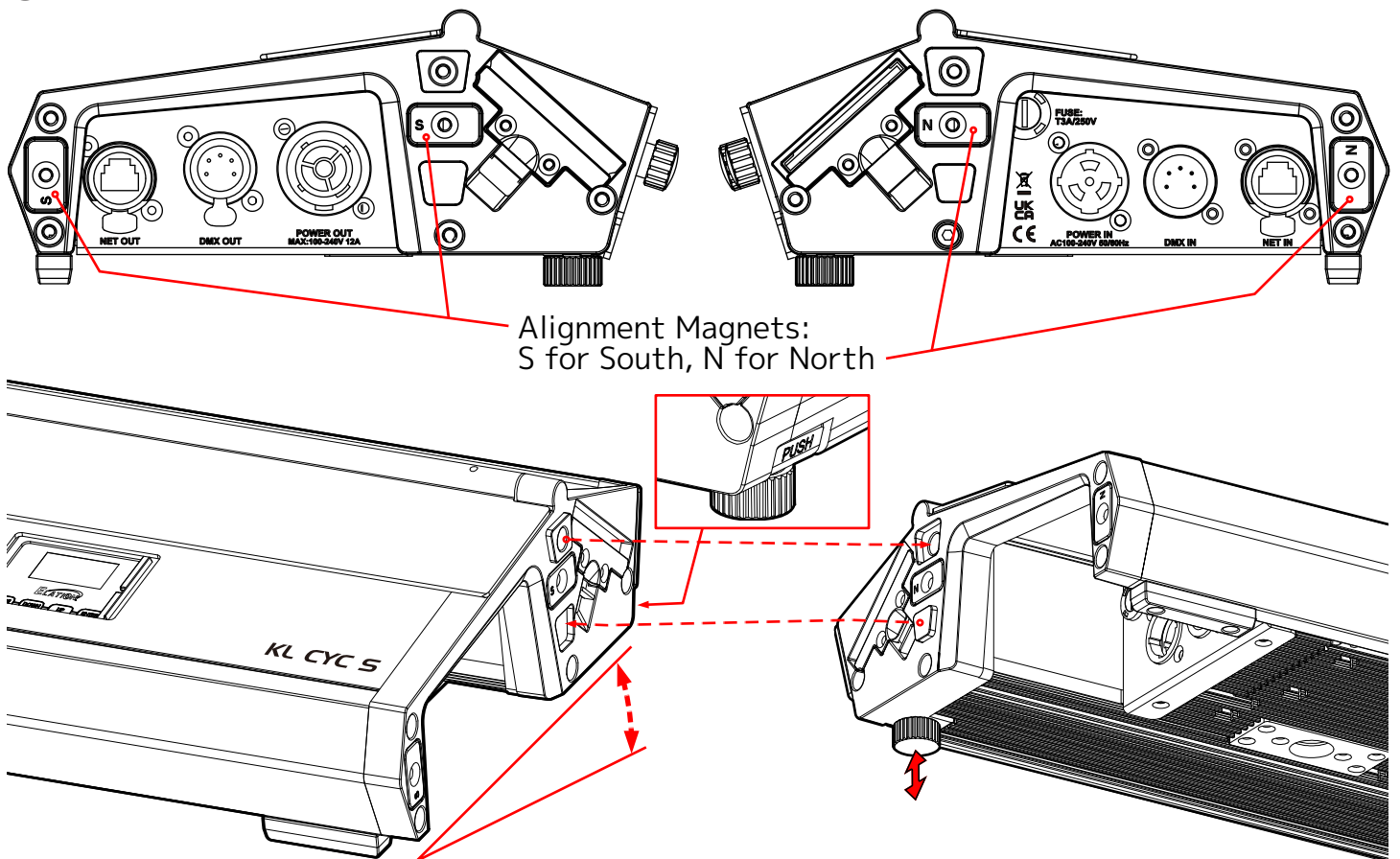
Consistent operational breaks will ensure fixture will function properly for many years.

ONLY use the original packaging and materials to transport the fixture for service.

OVERVIEW



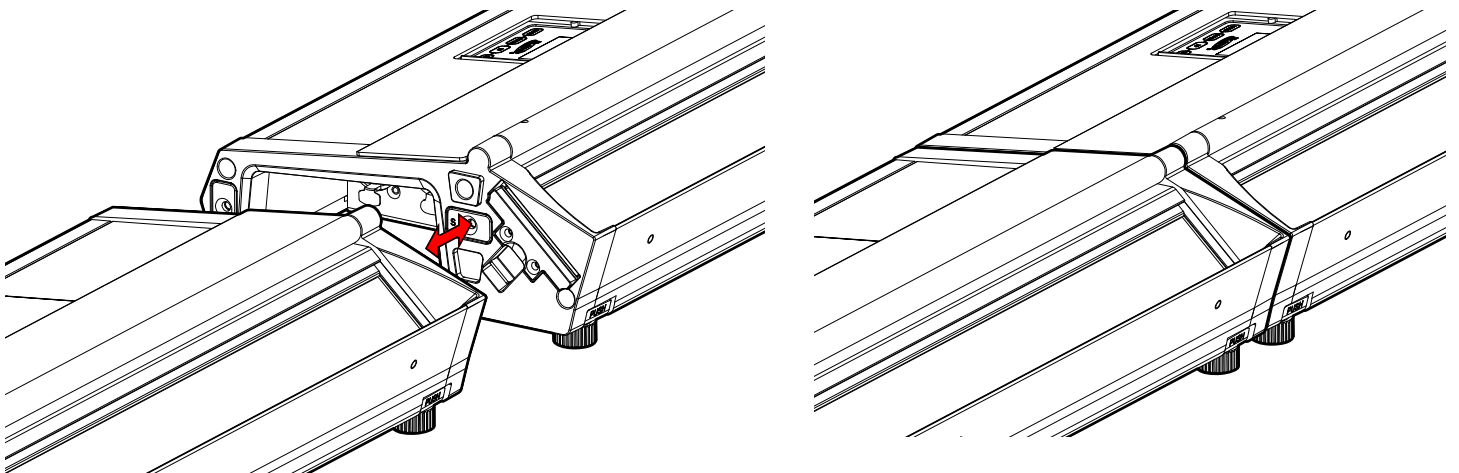
OVERVIEW



The corollary alignment features of the fixture, magnets, projections, and cavities, are designed to interlock when placed adjacent to each other with the same orientation. The front of the fixture can be raised or lowered to match these interlocking features, or to adjust the projection height of the fixture.

To adjust the fixture's height, follow these steps:

1. Lift the fixture slightly off the surface.
2. Locate the push-button positioned above the front foot.
3. Depress the push-button. This action will cause the foot to lower.
4. Once the foot reaches the desired height, release the button. The foot will lock in place at the selected height.



With the heights of adjacent fixtures adjusted to a matching height, orient the alignment features and move them together to allow their magnets to connect them and maintain their relative positions.

INSTALLATION GUIDELINES



FLAMMABLE MATERIAL WARNING

Keep fixture minimum 5.0 feet (1.5m) away from flammable materials and/or pyrotechnics.



ELECTRICAL CONNECTIONS

A qualified electrician should be used for all electrical connections and/or installations.



INDOOR USE ONLY! THIS DEVICE IS NOT INTENDED FOR OUTDOOR USAGE, OR EXPOSURE TO RAIN OR MOISTURE! USE OF THIS DEVICE OUTDOORS VOIDS YOUR MANUFACTURER'S WARRANTY!



DO NOT PERFORM THE INSTALLATION YOURSELF IF YOU ARE NOT QUALIFIED TO DO SO!

Fixture **MUST** be installed following all local, national, and country commercial electrical and construction codes and regulations.

Before rigging/mounting a single fixture or multiple fixtures to any metal truss/structure or placing the fixture(s) on any surface, a professional equipment installer **MUST** be consulted to determine if the metal truss/structure or surface is properly certified to safely hold the combined weight of the fixture(s), clamps, cables, and accessories.

Maximum fixture ambient operating temperature is **113°F (45°C)**. Do not operate this fixture when ambient temperature exceeds this rating.

Overhead rigging requires extensive experience, including calculating working load limits, knowledge of installation material being used, and periodic safety inspection of all installation material and the fixture. If you lack these qualifications, do not attempt the installation yourself. Improper installation can result in bodily injury.

Fixture(s) should be installed in areas outside walking paths, seating areas, or areas where unauthorized personnel might reach the fixture by hand.

NEVER stand directly below the fixture(s) when rigging, removing, or servicing.

Overhead fixture installation must always be secured with a secondary safety attachment, such as an appropriately rated safety cable.

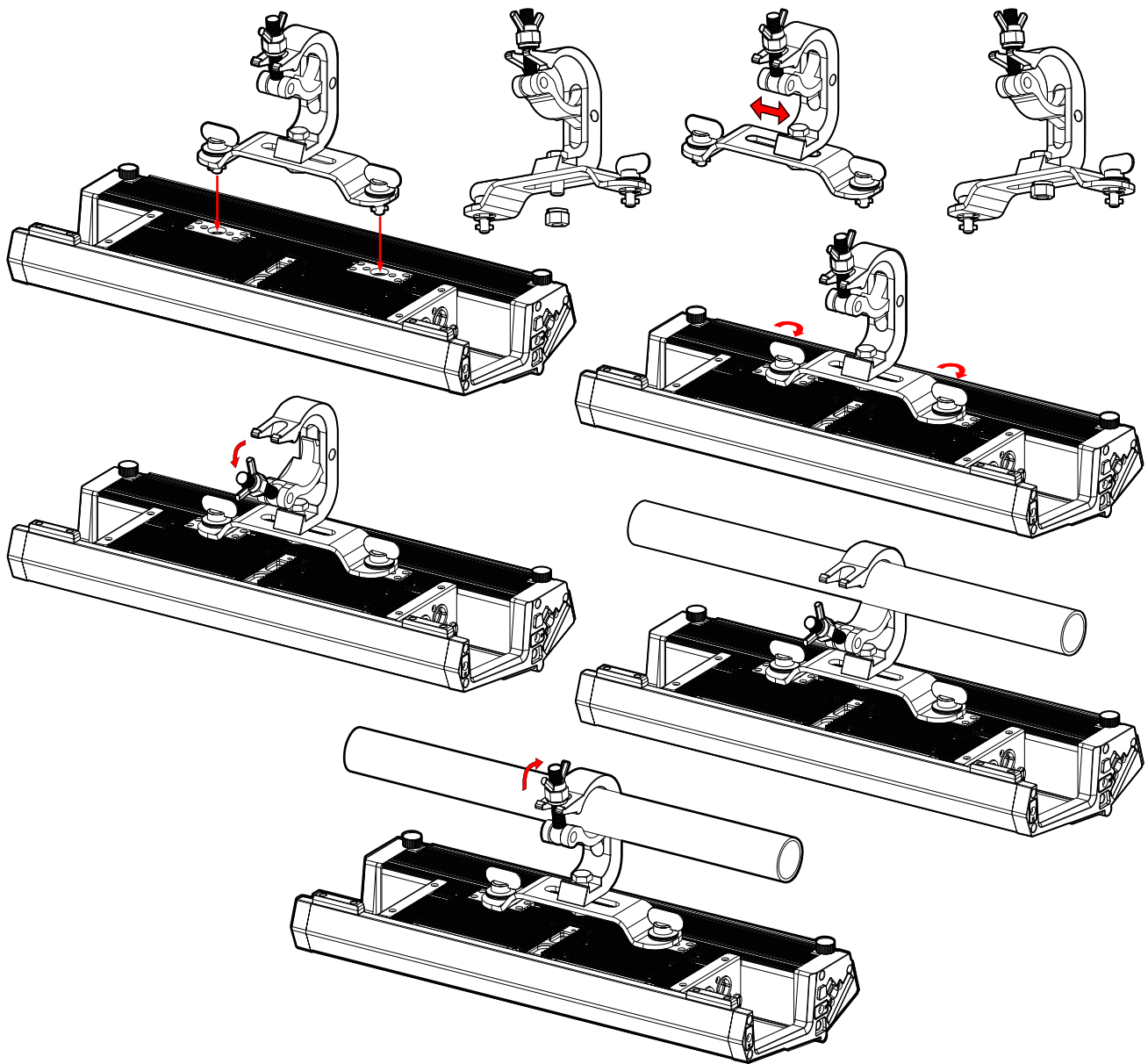
INSTALLATION GUIDELINES

RIGGING

Overhead rigging requires extensive experience, including calculating working load limits, knowledge of installation material being used, and periodic safety inspection of all installation material and the fixture, among other things. If you lack these qualifications, do not attempt the installation yourself. Improper installation can result in bodily injury.

OMEGA BRACKETS WITH CLAMP INSTALLATION

Insert the Omega Brackets into the matching holes on the bottom of the fixture. Note that Omega Brackets are slotted to allow positional adjustment. Secure the Omega Brackets to the fixture by turning each quick-lock fastener $\frac{1}{4}$ turn clockwise; making sure the fastener is completely locked. Omega Brackets can be installed into the fixture base as illustrated below.

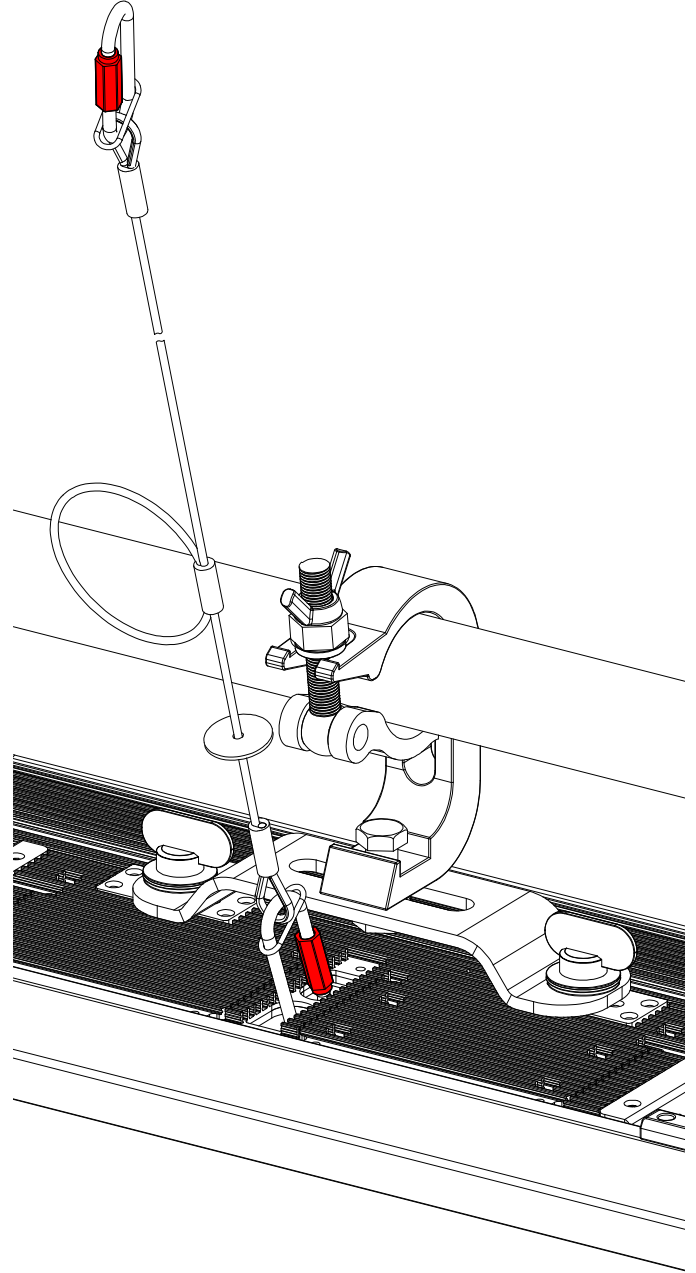
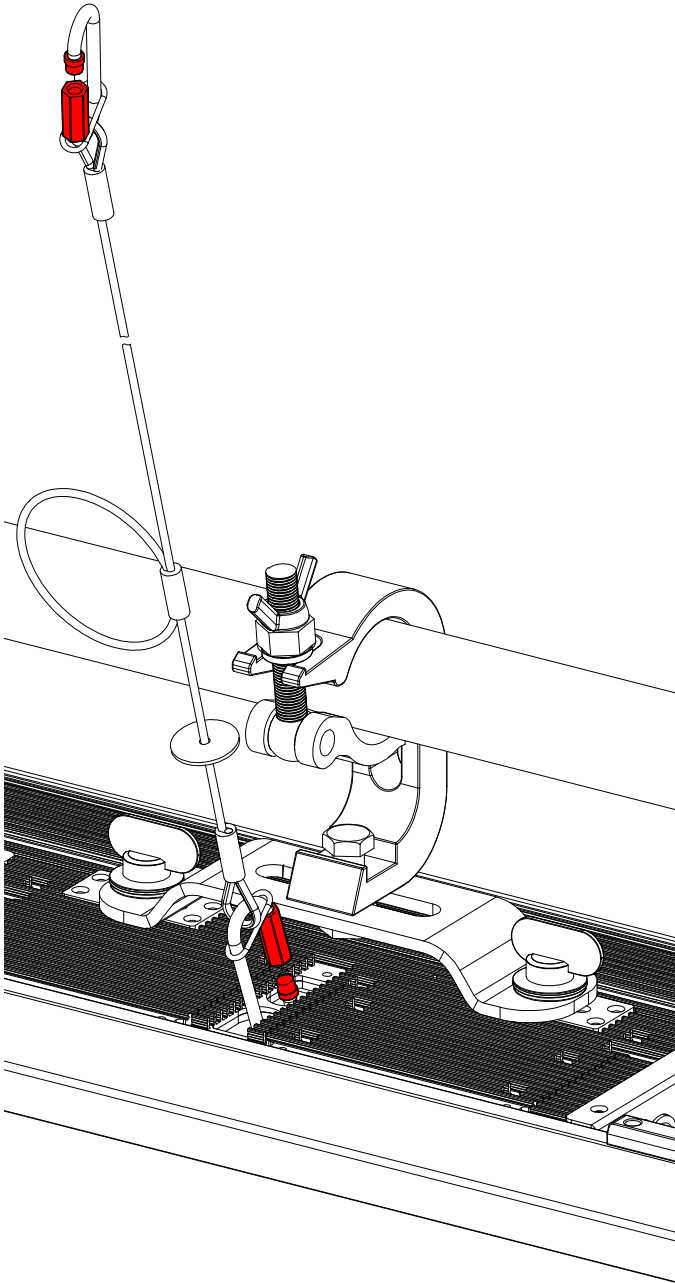


MOUNTING THE FIXTURE ON A TRUSS USING CLAMPS WITH OMEGA BRACKET

When mounting the fixture to a truss, be sure to secure an appropriately rated professional grade rigging clamp to the included **Omega Brackets** using an M10 screw fitted through the center hole of the **Omega Brackets**. The fixture provides a built-in rigging point for a **SAFETY CABLE** (not included). Be sure to only use one of the designated rigging points for the safety cable and never secure a safety cable to a carrying handle.

INSTALLATION GUIDELINES

Please note that the designated safety cable rigging point is the only safe location to attach a safety cable! Never attach a safety cable to the mounting clamp bracket!

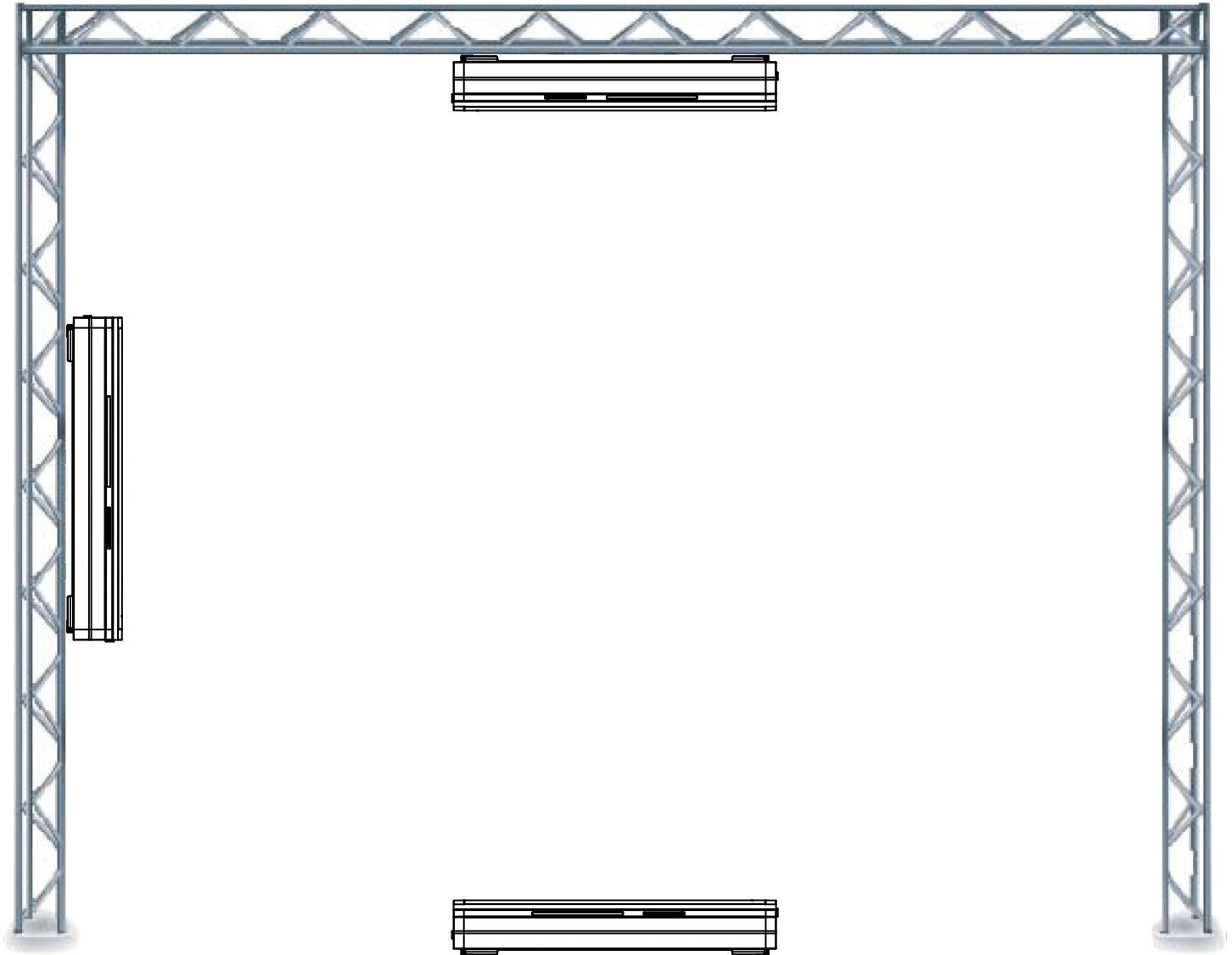


INSTALLATION GUIDELINES

RIGGING

Overhead rigging requires extensive experience, including among others calculating working load limits, installation material being used, and periodic safety inspection of all installation material and the fixture. If you lack these qualifications, do not attempt the installation yourself. Improper installation can result in bodily injury.

The Elation KL CYC S can be truss mounted in all positions.



FALLING FIXTURES CAN CAUSE SEVERE INJURY OR SERIOUS EQUIPMENT DAMAGE! FOR THIS REASON, FIXTURES SHOULD BE INSTALLED AND INSPECTED ONLY BY QUALIFIED PERSONNEL. DO NOT INSTALL THE UNIT IF YOU LACK THE QUALIFICATIONS TO DO SO, OR IF YOU HAVE DOUBTS ABOUT THE SAFETY AND SECURITY OF THE INSTALLATION SETUP OR LOCATION!

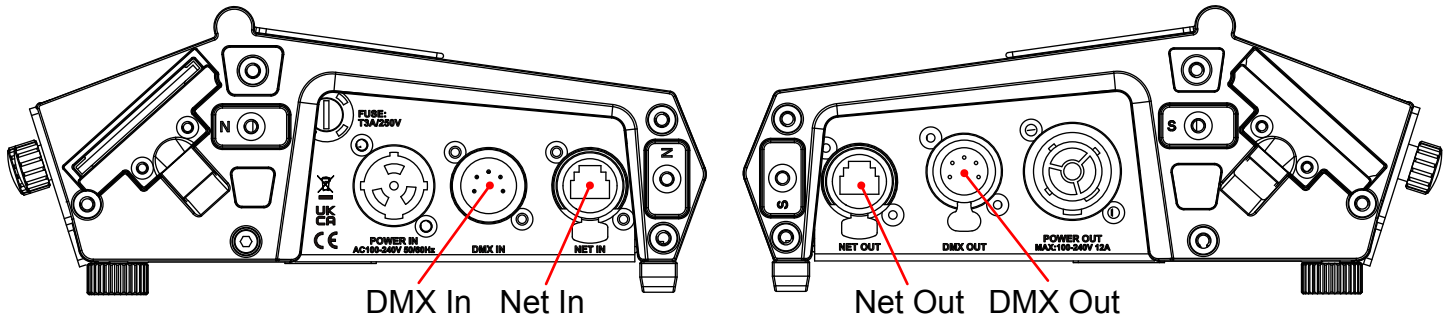


ALWAYS ATTACH A SAFETY CABLE WHENEVER INSTALLING THIS FIXTURE IN A SUSPENDED ENVIRONMENT TO ENSURE THE FIXTURE WILL NOT FALL IF THE CLAMP FAILS.

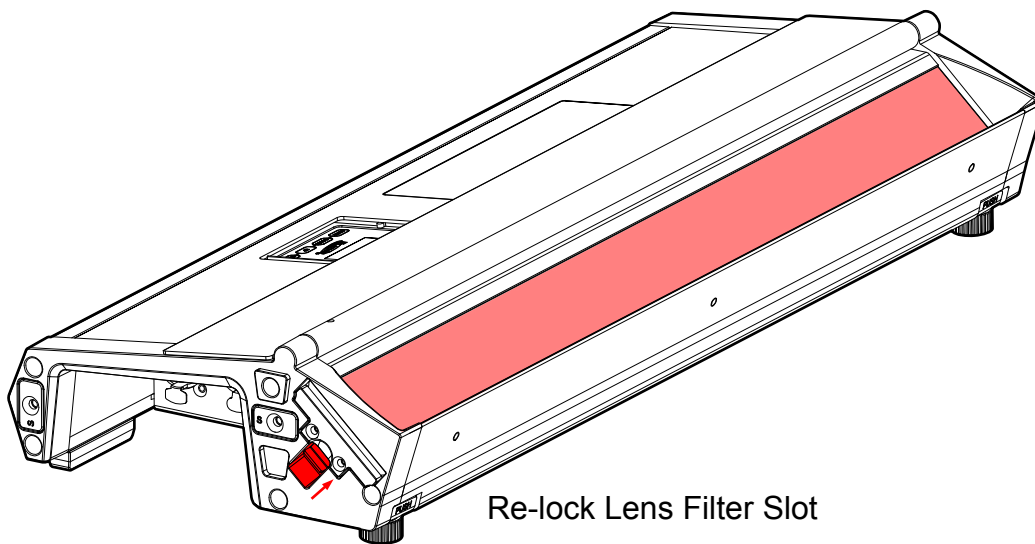
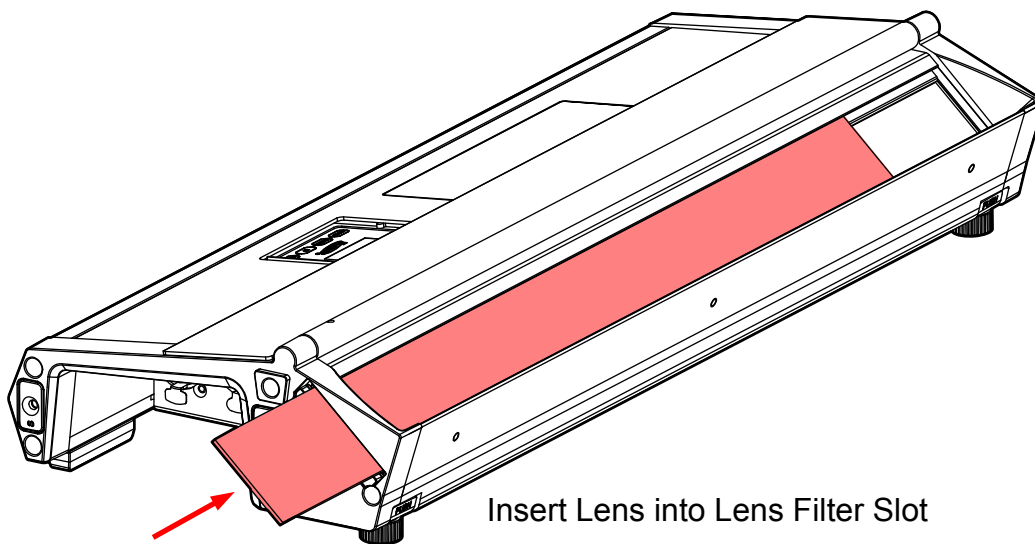
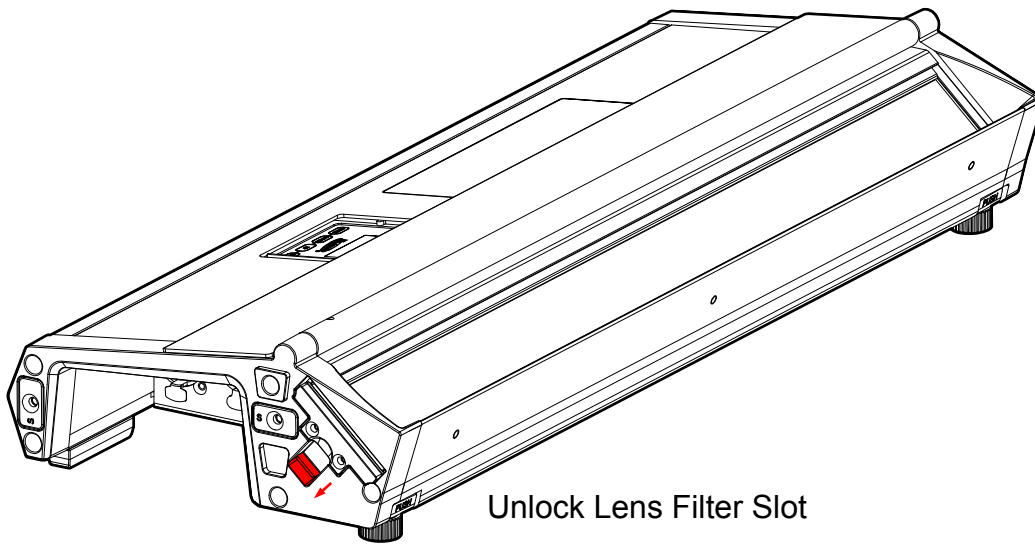
ART-NET | SACN CONNECTION

ART-NET | sACN CONNECTION

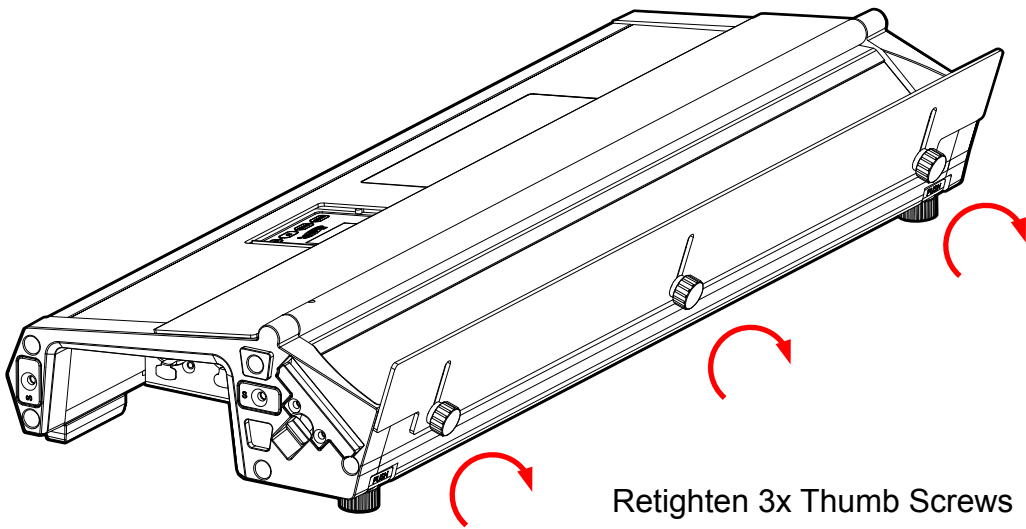
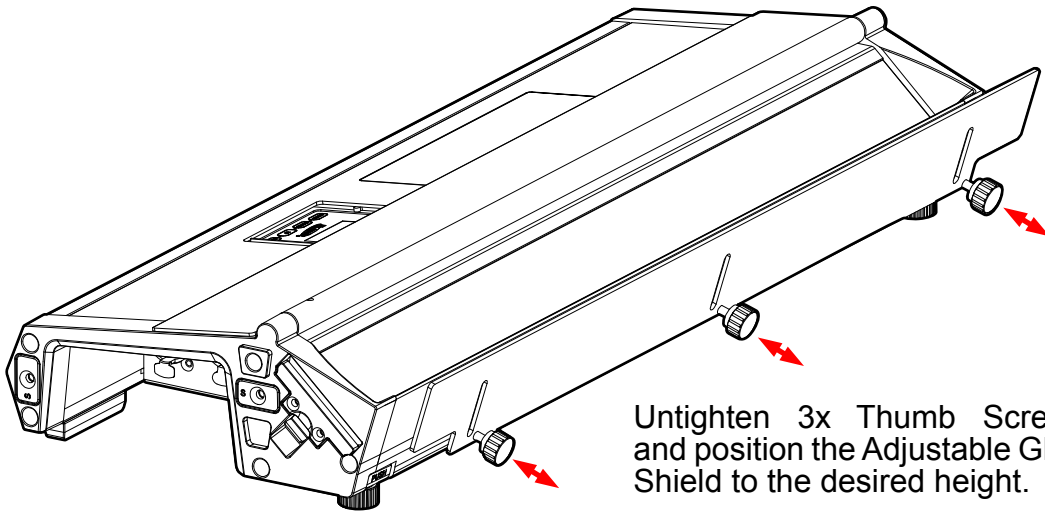
When connecting fixture to a network switch to control multiple devices, a **Gigabit Ethernet Switch** that supports **IGMP (Internet Group Management Protocol)** is required. Using a **Gigabit Ethernet Switch** that does not support **IGMP** can cause erratic behavior of all connected devices to the switch.



ACCESSORY INSTALLATION: LENS



ACCESSORY OPERATION: ADJUSTIBLE GLARE SHIELD



REMOTE DEVICE MANAGEMENT (RDM)

NOTE: In order for RDM to work properly, RDM enabled equipment must be used throughout the entire system, including DMX data splitters and wireless systems.

Remote Device Management (RDM) is a protocol that sits on top of the DMX512 data standard for lighting, allowing the DMX systems of the device to be managed, modified, and monitored remotely (hence, remote device management). This protocol is ideal for fixtures installed in locations that are not easily accessible.

With RDM, the DMX512 system becomes bi-directional, allowing a compatible RDM enabled controller to send out a signal to devices on the wire, as well as allowing the fixture to respond (known as a GET command). The controller can then use it's SET command to modify settings that would typically have to be changed or viewed directly via the unit's display screen, including the DMX Address, DMX Channel Mode, and Temperature Sensors.

FIXTURE RDM INFORMATION:

RDM Code	Device ID	Device Model ID	Personality ID
0x22A6	0000-FFFF	0X0042	1CH Dimmer 4CH RGB 4CH CCT 4CH HSI 12CH HSI Extended 11CH CMY 16CH CMY Extended 13CH Standard 20CH Extended 19CH Standard 2 Zone 32CH Extended 2 Zone

Please be aware that not all RDM devices support all RDM features, and therefore it is important to check beforehand to ensure that the equipment that you are considering includes all of the features that you require.

The following parameters are accessible in RDM on this device:

[0x0011] Proxied Device Count	[0x0405] Device Power Cycles
[0x0200] Sensor Definition	[0x0500] Display Invert
[0x0201] Sensor Value	[0x0603] Realtime Clock
[0x0080] Device Model Description	[0x0122] Default Slot Value
[0x0081] Manufacturer Label	[0x00B0] Language
[0x0082] Device Label	[0x00A0] Language Capabilities
[0x00E0] DMX Personality	[0x00C2] Boot Software Version Label
[0x00E1] DMX Personality Description	[0x00C1] Boot Software Version ID
[0x0400] Device Hours	[0x0070] Product Detail ID List
[0x0015] Comms Status	[0x0030] Status Messages
[0x0031] Status ID Description	[0x0000] Undefined PID [0x1100, (4352)]
[0x0032] Clear Status ID	

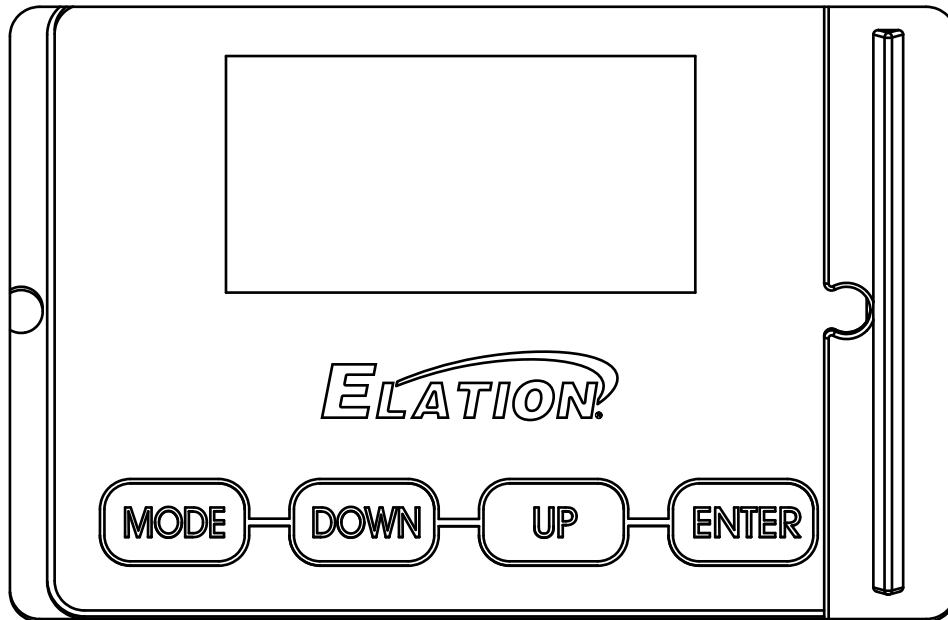
SYSTEM MENU

The fixture includes an easy to navigate system menu. The control panel display located on the top of the fixture provides access to the main system menu where all necessary system adjustments are made to the fixture.

- During normal operation, pressing the MODE button once will access the fixture's main menu.
- Once in the main menu you can navigate through the different functions and access the sub-menus with the DOWN and UP buttons.
- Once you reach a field that requires adjusting, press the ENTER button to activate that field and use the DOWN and UP buttons to adjust the field.
- Pressing the ENTER button once more will confirm the setting.
- Exit the main menu at any time without making any adjustments by pressing the MODE button.

NOTE: To access the LCD Menu Control Display via the internal battery, press and hold the **MODE/ESC** button for 10 seconds. The LCD Menu Control Display will shut **OFF** automatically about 1 minute from the last button press.

NOTE: The unit comes with a battery so that the menu options can be changed or setup without the need to plug the unit into power.



AN ELATION C-LOADER II CAN ALSO BE USED TO UPDATE THE FIXTURE TO THE LATEST SOFTWARE. To order this device, please contact Elation Support for further details..

**ELATION SERVICE USA - Monday - Friday 8:00am to 4:30pm PST
323-582-3322 | Fax 323-832-9142 | support@elationlighting.com**

**ELATION SERVICE EUROPE - Monday - Friday 08:30 to 17:00 CET
+31 45 546 85 63 | Fax +31 45 546 85 96 | support@elationlighting.eu**

SYSTEM MENU

MAIN MENU	OPTIONS / VALUES (Default Settings in BOLD)		
DMX	DMX Address	001 - 512	
	DMX Mode	1CH Dimmer	
		4CH RGB	
		4CH CCT	
		4CH HSI	
		12CH HSI Extended	
		11CH CMY	
		16CH CMY Extended	
		13CH Standard	
		20CH Extended	
		19CH Standard 2 Zone	
	32CH Extended 2 Zone		
	No DMX Status	Hold Last	
		Fade to Black	
		EdgeLite	
Standalone			
Protocol	Select Signal	DMX / Art-Net / sACN / Aria In-DMX Out / DMX In - Aria Out	
	Universe	1	
	IP Address	2.x.x.x	
	Subnet Mask	255.0.0.0	
	Ethernet DMX Out	Off/On	
Aria	Aria Channel	0-14	
Control	Manual Control	Dimmer	000% - 100%
		CCT	2400K - 8500 (Default = 6000K)
		Green Shift	-100% ~ +100% (Default = 0)
		Virtual Color	See Color Macros
	Primary	On / Off	
	Secondary	On / Off	
	Self Test	All	
		Dimmer	
		Color	
	Settings	EdgeLight Options	Control
Default Intensity			1-10% (Default = 3%)
Color			Blue/Red
Dim Modes		Standard	
		Stage	
		TV	
		Architectural	
		Theatre	
		Stage 2	
Dim Speed		0s - 10s (Default = 0.1s)	
Dim Curves		Linear	
		Square	
		Square Inverse	
		S-Curve	
LED Refresh Rate		900Hz, 1500Hz, 2500Hz, 4000Hz, 5000Hz, 6000Hz, 10KHz, 15KHz, 20KHz, 25KHz (Default = 1200 Hz)	
LED Power Limit		50%	
		60%	
		70%	
		80%	
		90%	
	100%		
Display	Screen Delay	10s - 5min (Default = 1 min)	
	Screen Lock	Off , 10s - 5 min	
	Rotate Display	Yes / No / Auto	
Reset Defaults	Yes / No		

SYSTEM MENU

MAIN MENU		OPTIONS / VALUES (Default Settings in BOLD)	
Information	Time	Current Run Time	
		Total Run Time	
		Last Run Time	
	Temperature	Current	
		Max Resettable	
	DMX Values	Red	
		Green	
		...	
Product IDs	RDM UID		
Error Logs	Fixture Errors		
Software Version	Vx.x		
Service (Passcode=050)	Update Firmware	On / Off	
	Calibration	Red 000 - 255	
		Green 000 - 255	
		Blue 000 - 255	
		Mint 000 - 255	
		Amber 000 - 255	
	Reset Last Run	Yes / No	
Reset Error Logs	Yes / No		

CYCLORAMA EDGELIGHT FEATURE

With the understanding and intention that the KL CYC S can excel in a footlight or foot ramp application, we aimed to integrate additional functions to enhance the fixture's capabilities and offer a distinctive safety feature. As a result, we developed what we term 'EdgeLight.'

The EdgeLight feature allows either the Red or Blue LEDs to emit a dim glow when the main output of the fixture is turned off or set to '0%.' This provides an indication of the stage or performance area's edge. The behavior of this function, along with the color and intensity of the LEDs, can be fully controlled by the user in multiple ways, ensuring that the effect doesn't detract from the performance or event, from the audience's perspective.

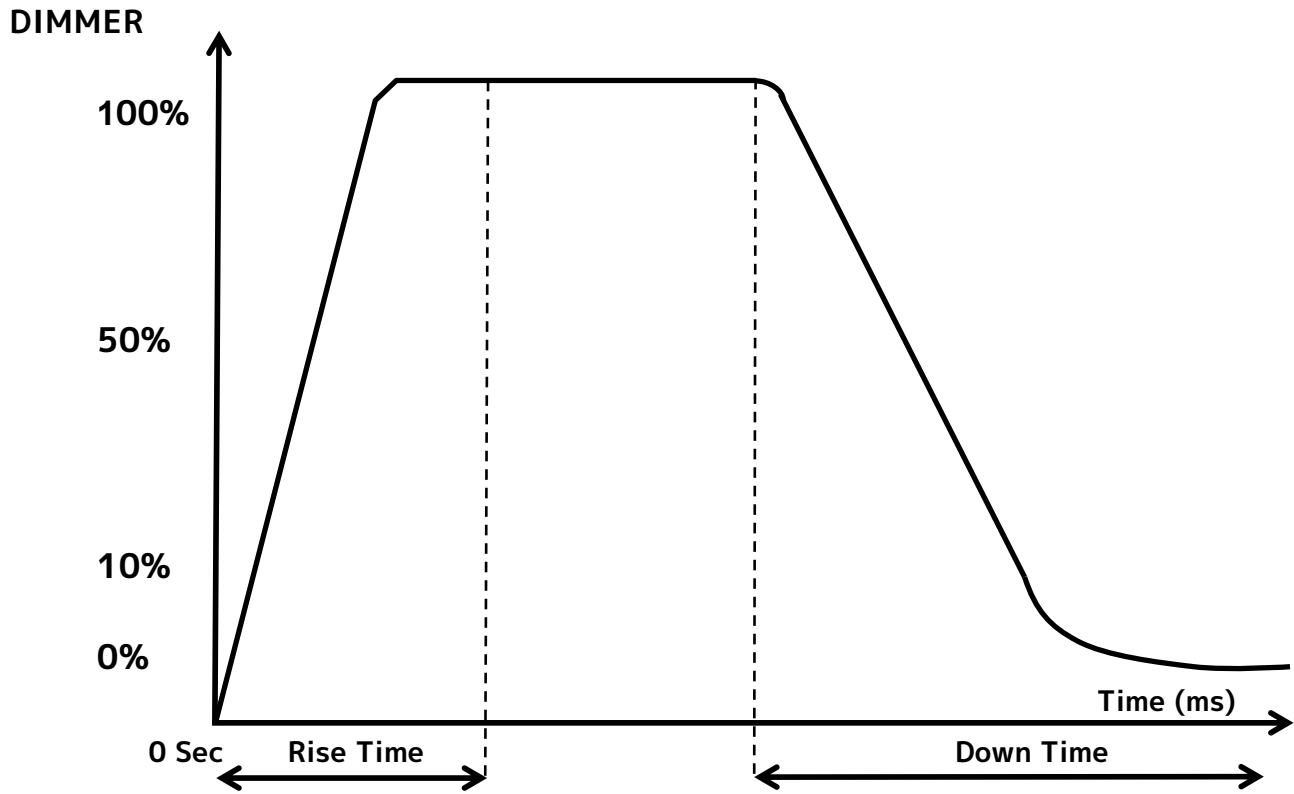
By default, the intensity of EdgeLight is governed by the DMX signal. To utilize EdgeLight, the fixture must be configured to a DMX mode that incorporates the 'EdgeLight Level' control channel. When using DMX control, users can activate or deactivate the effect and adjust the intensity level to suit their needs or preferences. The initial Blue color can also be changed to Red using the fixture's DMX control channel.

When the 'Control' setting is switched to 'Always On' through the fixture's menu or DMX control channel, the EdgeLight feature will automatically fade in whenever the main output of the fixture is set to '0%.' In this mode, the EdgeLight's color and intensity will be retrieved from the 'Default Intensity' and 'Color' settings in the menu. These settings cannot be altered by the 'EdgeLight Level' channel, provided it's present in the selected DMX mode. If desired, the default or recalled 'Color' of the effect can still be modified in the fixture's DMX control channel. Once the main output of the fixture rises above '0%', the effect will deactivate.

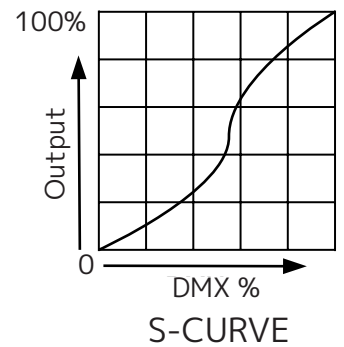
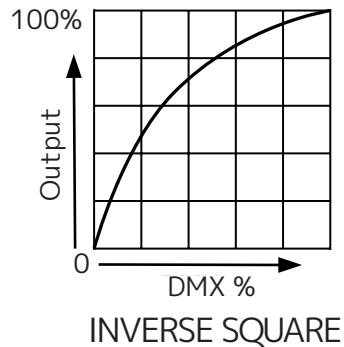
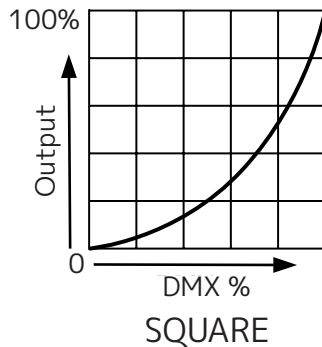
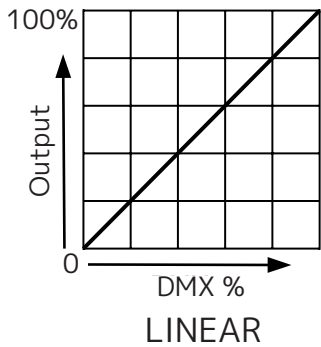
Changing the 'Control' setting to 'Disabled' renders the feature inaccessible.

Moreover, the EdgeLight function can be chosen to be reinstated in case the fixture loses the DMX signal. If the 'EdgeLight' option is selected within the 'No DMX Status' menu section, the fixture will recall the default EdgeLight menu settings after 3 seconds without a DMX signal. This mode will persist until a DMX signal is detected, at which point the EdgeLight will fade out and restore the current state set by DMX.

DIMMER CURVES AND DIMMER MODES



Dimming Curve Ramp Effect	0 sec Fade Time		1 sec Fade Time	
	Rise Time (ms)	Down Time (ms)	Rise Time (ms)	Down Time (ms)
Standard (default)	0	0	0	0
Stage	780	1100	1540	1660
TV	1180	1520	1860	1940
Architectural	1380	1730	2040	2120
Theatre	1580	1940	2230	2280
Stage 2	0	1100	0	1660



DMX TRAITS

Dimmer 1Ch.	RGB 4Ch.	CCT 4Ch.	HSI 4Ch.	HSI EXT. 12Ch.	CMY 11Ch.	CMY EXT. 16Ch.	Std. 13Ch.	Ext. 20Ch.	Std. 2 Zone 19Ch.	Ext. 2 Zone 32Ch.	DMX Values	Function	Snap	Default Value
1	1	1	1	1	1	1	1	1	1	1	0-255	Dimmer Intensity 0 → 100%		0
		2	2	2	2	2	2	2	2	2	0-255	Dimmer Fine Fine Adjustment		0
				3	3	3	3	3	3	3		Shutter/Strobe		50
											0-31	Shutter closed		
											32-63	No function (shutter open)		
											64-95	Strobe effect slow to fast		
											96-127	No function (shutter open)		
											128-159	Pulse-effect in sequences		
											160-191	No function (shutter open)		
											192-223	Random strobe effect slow to fast		
											224-255	No function (shutter open)		
	2						4	4	4	4	0-255	Red 0 → 100%		0
								5		5	0-255	Red Fine Fine Adjustment		0
	3						5	6	5	6	0-255	Green 0 → 100%		0
								7		7	0-255	Green Fine Fine Adjustment		0
	4						6	8	6	8	0-255	Blue 0 → 100%		0
								9		9	0-255	Blue Fine Fine Adjustment		0
							7	10	7	10	0-255	Mint 0 → 100%		0
								11		11	0-255	Mint Fine Fine Adjustment		0
							8	12	8	12	0-255	Amber 0 → 100%		0
								13		13	0-255	Amber Fine Fine Adjustment		0
									9	14	0-255	Red 2 0 → 100%		0
										15	0-255	Red Fine 2 Fine Adjustment		0
									10	16	0-255	Green 2 0 → 100%		0
										17	0-255	Green Fine 2 Fine Adjustment		0
									11	18	0-255	Blue 2 0 → 100%		0
										19	0-255	Blue Fine 2 Fine Adjustment		0
									12	20	0-255	Mint 2 0 → 100%		0
										21	0-255	Mint Fine 2 Fine Adjustment		0
									13	22	0-255	Amber 2 0 → 100%		0
										23	0-255	Amber Fine 2 Fine Adjustment		0

DMX TRAITS

Dimmer 1Ch.	RGB 4Ch.	CCT 4Ch.	HSI 4Ch.	HSI EXT. 12Ch.	CMY 11Ch.	CMY EXT. 16Ch.	Std. 13Ch.	Ext. 20Ch.	Std. 2 Zone 19Ch.	Ext. 2 Zone 32Ch.	DMX Values	Function	Snap	Default Value
					4	4					0-255	Cyan 0 → 100%		0
						5					0-255	Cyan Fine Fine Adjustment		0
					5	6					0-255	Magenta 0 → 100%		0
						7					0-255	Magenta Fine Fine Adjustment		0
					6	8					0-255	Yellow 0 → 100%		0
						9					0-255	Yellow Fine Fine Adjustment		0
			3	4							0-255	Hue 0 → 360°		255
			4	5							0-255	Saturation 0 → 100%		255
		3		6	7	10	9	14	14	24	0-23 24-85 86-255	Variable CCT Open 2400K → 8500K (See Sheet) 8500K		0
									15	25	0-23 24-85 86-255	Variable CCT 2 Open 2400K → 8500K (See Sheet) 8500K		0
				7	8	11	10	15	16	26	0 1-254 255	CCT Cross Fade CCT No Function Color Mix		0
											0 1-179 180-201 202-207 208-229 230-234 235-239 240-244 245-249 250-255	Color Open Virtual Swatch Book (See Table) Color Scroll Clockwise Fast → Slow Stop Counter-clockwise Slow → Fast Open Random Slots Fast Medium Slow Open		0
		4		9		13		17		28	0 1-127 128 129-255	Green Shift Idle Full Minus Green to Neutral Neutral White Neutral to Full Plus Green		0
										29	0 1-127 128 129-255	Green Shift 2 Idle Full Minus Green to Neutral Neutral White Neutral to Full Plus Green		0
				10	10	14	12	18	18	30	0-10 11-20 21-255	EdgeLight Level Off Default Intensity Min → Max		0

DMX TRAITS

Dimmer 1Ch.	RGB 4Ch.	CCT 4Ch.	HSI 4Ch.	HSI EXT. 12Ch.	CMY 11Ch.	CMY EXT. 16Ch.	Std. 13Ch.	Ext. 20Ch.	Std. 2 Zone 19Ch.	Ext. 2 Zone 32Ch.	DMX Values	Function	Snap	Default Value
												Dim Modes		
											0-20	Standard		
											21-40	Stage		
											41-60	TV		
											61-80	Architectural		
											81-100	Theatre		
											101-120	Stage 2		
												Dimmer Delay Time		
											121	0s		
											122	0.1s		
											123	0.2s		
											124	0.3s		
											125	0.4s		
											126	0.5s		
											127	0.6s		
											128	0.7s	X	0
											129	0.8s		
											130	0.9s		
											131	1.0s		
											132	1.5s		
											133	2.0s		
											134	3.0s		
											135	4.0s		
											136	5.0s		
											137	6.0s		
											138	7.0s		
											139	8.0s		
											140	9.0s		
											141	10s		
											142-255	Idle		
												Control		
											0-69	Idle		
												EdgeLite Control		
											70-74	Disabled		
											75-79	Always ON		
											80-84	DMX		
											85-94	Red		
											95-99	Blue		
												Refresh Rate (Hz)		
											100	900		
											101	910		
											102	920		
											103	930		
											104	940		
											105	950		
											106	960		
											107	970		
											108	980		
											109	990		
											110	1000		
											111	1010		
											112	1020		
											113	1030		
											114	1040		
											115	1050		
											116	1060		
											117	1070		
											118	1080		
											119	1090		
											120	1100		
											121	1110		
											122	1120		
											123	1130		
											124	1140		
											125	1150		

DMX TRAITS

Dimmer 1Ch.	RGB 4Ch.	CCT 4Ch.	HSI 4Ch.	HSI EXT. 12Ch.	CMY 11Ch.	CMY EXT. 16Ch.	Std. 13Ch.	Ext. 20Ch.	Std. 2 Zone 19Ch.	Ext. 2 Zone 32Ch.	DMX Values	Function	Snap	Default Value
											121	1110		
											122	1120		
											123	1130		
											124	1140		
											125	1150		
											126	1160		
											127	1170		
											128	1180		
											129	1190		
											130	1200		
											131	1210		
											132	1220		
											133	1230		
											134	1240		
											135	1250		
											136	1260		
											137	1270		
											138	1280		
											139	1290		
											140	1300		
											141	1310		
											142	1320		
											143	1330		
											144	1340		
											145	1350		
											146	1360		
				12	11	16	13	20	19	32	147	1370		
											148	1380	X	0
											149	1390		
											150	1400		
											151	1410		
											152	1420		
											153	1430		
											154	1440		
											155	1450		
											156	1460		
											157	1470		
											158	1480		
											159	1490		
											160	1500		
											161	2500		
											162	4000		
											163	5000		
											164	6000		
											165	10000		
											166	15000		
											167	20000		
											168	25000		
											169-200	Idle		
												Dimmer Curves		
											201-210	Dimmer Curve: Linear (Default)		
											211-220	Dimmer Curve: Square		
											221-230	Dimmer Curve: Inverse Square		
											231-240	Dimmer Curve: S-Curve		
											241-255	Idle		

COLOR TEMPERATURE

DMX VALUE	COLOR TEMPERATURE (K)	DMX VALUE	COLOR TEMPERATURE (K)
24	2400	63	6300
25	2500	64	6400
26	2600	65	6500
27	2700	66	6600
28	2800	67	6700
29	2900	68	6800
30	3000	69	6900
31	3100	70	7000
32	3200	71	7100
33	3300	72	7200
34	3400	73	7300
35	3500	74	7400
36	3600	75	7500
37	3700	76	7600
38	3800	77	7700
39	3900	78	7800
40	4000	79	7900
41	4100	80	8000
42	4200	81	8100
43	4300	82	8200
44	4400	83	8300
45	4500	84	8400
46	4600	85	8500
47	4700		
48	4800		
49	4900		
50	5000		
51	5100		
52	5200		
53	5300		
54	5400		
55	5500		
56	5600		
57	5700		
58	5800		
59	5900		
60	6000		
61	6100		
62	6200		

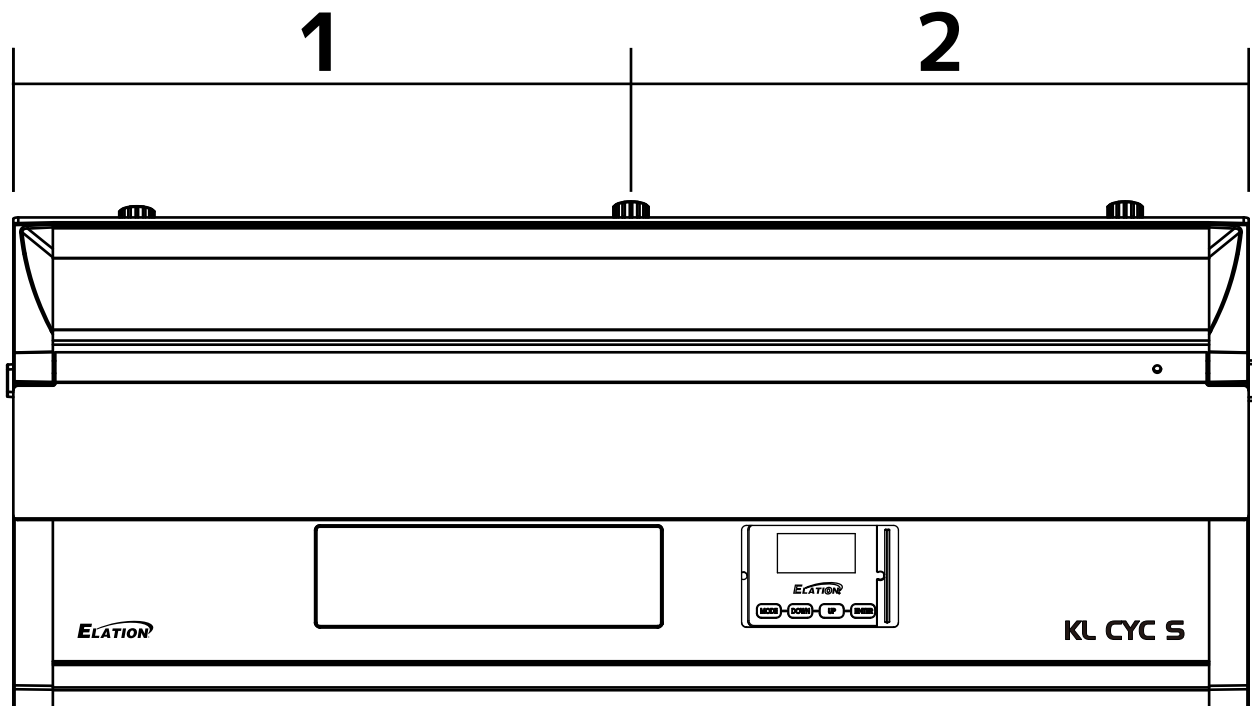
VIRTUAL GEL SWATCH BOOK COLORS

VALUE	FILTER #	COLOR	VALUE	FILTER #	COLOR
1	7	Pale Yellow	31	126	Mauve
2	103	Straw	32	49	Medium Purple
3	151	Gold Tint	33	58	Lavender
4	100	Spring Yellow	34	199	Palace Blue
5	10	Medium Yellow	35	119	Dark Blue
6	101	Yellow	36	132	Medium Blue
7	104	Deep Amber	37	120	Deep Blue
8	15	Deep Straw	38	165	Daylight Blue
9	179	Loving Amber	39	161	Slate Blue
10	21	Gold Amber	40	118	Light Blue
11	105	Orange	41	68	Sky Blue
12	158	Deep Orange	42	143	Pale Navy Blue
13	22	Dark Amber	43	131	Marine Blue
14	778	Millennium Gold	44	115	Peacock Blue
15	135	Deep Golden Amber	45	172	Lagoon Blue
16	24	Scarlet	46	116	Medium Blue Green
17	106	Primary Red	47	90	Dark Yellow Green
18	26	Bright Red	48	139	Primary Green
19	27	Medium Red	49	122	Fern Green
20	19	Fire	50	89	Moss Green
21	157	Pink	51	124	Dark Green
22	36	Medium Pink	52	88	Lime Green
23	111	Dark Pink	53	138	Pale Green
24	128	Bright Pink	54	203	Quarter CT Blue
25	148	Bright Rose	55	202	Half CT Blue
26	332	Special Rose Pink	56	201	FULL CT Blue
27	793	Vanity Fair	57	200	Double CT Blue
28	113	Magenta	58	206	Quarter CT Orange
29	46	Dark Magenta	59	205	Half CT Orange
30	48	Rose Purple	60	204	FULL CT Orange

ERROR CODES

Error Codes subject to change without notice	
ERROR CODES	DESCRIPTION
Temp Error	This message appears when there is a heating error.
Init Error	This message appears when there is an initial startup error.

PIXEL GROUPING



MAINTENANCE GUIDELINES

DISCONNECT POWER BEFORE PERFORMING ANY MAINTENANCE!

CLEANING

Frequent cleaning is recommended to ensure proper function, optimized light output, and an extended life. The frequency of cleaning depends on the environment in which the fixture operates: damp, smoky, or particularly dirty environments can cause greater accumulation of dirt on the fixture's optics. Clean periodically with a soft cloth to avoid dirt/debris accumulation.

NEVER use alcohol, solvents, or ammonia-based cleaners.

MAINTENANCE

Regular inspections are recommended to ensure proper function and extended life. There are no user serviceable parts inside this fixture. Please refer all service issues to an authorized Elation service technician. Should you need any spare parts, please order genuine parts from an authorized Elation dealer.

Please refer to the following points during routine inspections:

- A detailed electrical check by an approved electrical engineer every three months, to make sure the circuit contacts are in good condition and prevent overheating.
- Be sure all screws and fasteners are securely tightened at all times. Loose screws may fall out during normal operation, resulting in damage or injury as larger parts could fall.
- Check for any deformations on the housing, color lenses, rigging hardware, and rigging points (ceiling, suspension, trussing). Deformations in the housing could allow for dust to enter into the fixture. Damaged rigging points or unsecured rigging could cause the fixture to fall and seriously injure a person(s).
- Electric power supply cables must not show any damage, material fatigue, or sediments.

NEVER remove the ground prong from the power cable.

SPECIFICATIONS

SOURCE

90W RGBMA LED Array
30,000 Hour Average LED Life*

*May vary depending on several factors including but not limited to:
Environmental Conditions, Power/Voltage, Usage Patterns (On-Off Cycling), Control and Dimming.

PHOTOMETRIC DATA

Total Lumen Output
5,645 (Integrating Sphere)
5,276 (Goniometer)
CRI 96.5
TLCI 88

Filter

Beam Angle: 40° x 90°
Field Angle: 85° x 160°

No Filter

Beam Angle: 25° x 75°
Field Angle: 80° x 125°

EFFECTS

EdgeLight Safety Feature
Electronic Dimmer and Strobe
Variable 16-bit Dimming Modes and Curves

COLOR

RGBMA Color Array
Up to two control segments
CMY, RGB Emulation
Variable CCT 2,400K - 8,500K
Green/Magenta Shift
Virtual Gel Swatch Book

CONTROL / CONNECTIONS

11 DMX Channel Modes (1ch, 4ch, 4ch, 4ch, 12ch, 11ch, 16ch, 13ch, 20ch, 19ch, 32ch)
4 Button Control Panel, LED Display
RDM (Remote Device Management)
5pin DMX In/Out
RJ45 Locking Ethernet In/Out
IP65 Locking Power Cable In/Out

SIZE/WEIGHT

Length: 19.9" (505mm)
Width: 8.1" (206.6mm)
Height: 3.4" (85.2mm)
Weight: 7.7lbs (3.5kg)

ELECTRICAL / THERMAL

AC 100-240V - 50/60Hz
100W Max Power Consumption
5°F to 113°F (-15°C to 45°C)

INCLUDED ITEMS

1x Omega Bracket
1x Frost Filter
1x Barndoor
IP65 Locking Power Cable

APPROVALS / RATINGS

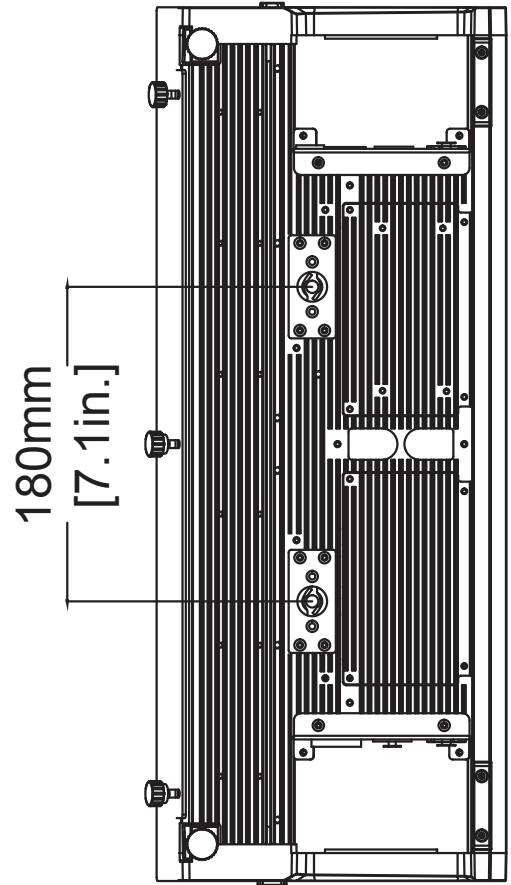
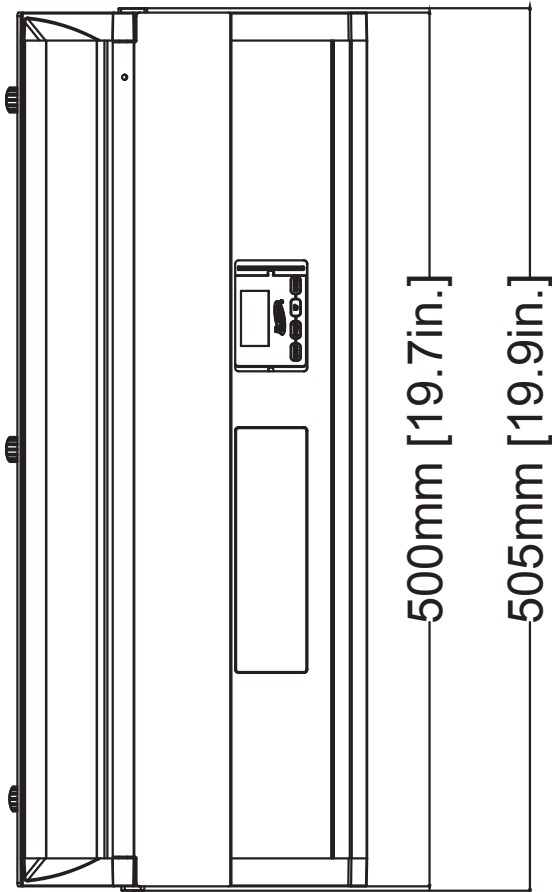
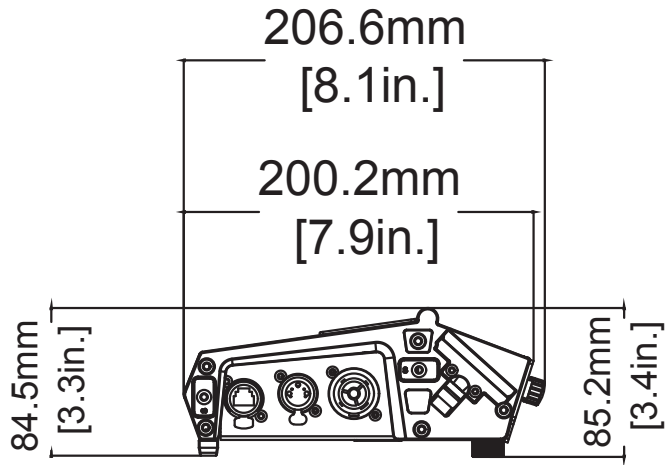
CE | cETLus | FCC | UKCA



Specifications and documentation subject to change without notice.

DIMENSIONAL DRAWINGS

Drawings not to scale.



OPTIONAL ACCESSORIES

ORDER CODE		ITEM
US	EU	
KLC001	1236100191	Elation KL CYC S
TRIGGER CLAMP	1741000032	Heavy Duty Wrap Around Hook Style Clamp
PDJ010	1621000162	10" Power & DMX Interconnect Cable, for KL CYC
		Additional Cable Lengths Available



FCC STATEMENT

This device complies with Part 15 of the FCC Rules. Operation is subject to the following two conditions: (1) this device may not cause harmful interference, and (2) this device must accept any interference received, including interference that may cause undesired operation.

FCC RADIO FREQUENCY INTERFERENCE WARNINGS & INSTRUCTIONS

This product has been tested and found to comply with the limits as per Part 15 of the FCC Rules. These limits are designed to provide reasonable protection against harmful interference in a residential installation. This device uses and can radiate radio frequency energy and, if not installed and used in accordance with the included instructions, may cause harmful interference to radio communications. However, there is no guarantee that interference will not occur in a particular installation. If this device does cause harmful interference to radio or television reception, which can be determined by turning the device off and on, the user is encouraged to try to correct the interference by one or more of the following methods:

- Reorient or relocate the device.
- Increase the separation between the device and the receiver.
- Connect the device to an electrical outlet on a circuit different from which the radio receiver is connected.
- Consult the dealer or an experienced radio/TV technician for help.

Energy Saving Matters (EuP 2009/125/EC)

Saving electric energy is a key to help protecting the environment. Please turn off all electrical products when they are not in use. To avoid power consumption in idle mode, disconnect all electrical equipment from power when not in use. Thank you!

