



KL Profile FC

Photometric &
Chromaticity Test Reports



CONTENTS

Testing Procedures.....	5
Photometric Output Reports.....	
50° Beam Angle	6
Full Output	6
2700K	8
3200K.....	9
4500K.....	10
5600K.....	11
6000K.....	12
6500K.....	13
36° Beam Angle	14
Full Output	14
2700K	16
3200K.....	17
4500K.....	18
5600K.....	19
6000K.....	20
6500K.....	21
26° Beam Angle	22
Full Output	22
2700K	24
3200K.....	25
4500K.....	26
5600K.....	27
6000K.....	28
6500K.....	29
19° Beam Angle	30
Full Output	30
2700K	32
3200K.....	33
4500K.....	34

19° Beam Angle (Cont.)	
5600K.....	35
6000K.....	36
6500K.....	37
14° Beam Angle	38
Full Output	38
2700K	40
3200K.....	41
4500K.....	42
5600K.....	43
6000K.....	44
6500K.....	45
10° Beam Angle	46
Full Output	46
2700K	48
3200K.....	49
4500K.....	50
5600K.....	51
6000K.....	52
6500K.....	53
6.6° Beam Angle	54
Full Output	54
2700K	56
3200K.....	57
4500K.....	58
5600K.....	59
6000K.....	60
6500K.....	61

Color Quality Reports	62
Full Output	62
2700K	64
3200K	66
4500K	68
5600K	70
6000K	72
6500K	74
LED Color Information Reports	76
RED	76
GREEN	77
BLUE	78
MINT	79
AMBER.....	80

©2023 **ELATION PROFESSIONAL** all rights reserved. Information, specifications, diagrams, images, and instructions herein are subject to change without notice. ELATION PROFESSIONAL logo and identifying product names and numbers herein are trademarks of ELATION PROFESSIONAL. Copyright protection claimed includes all forms and matters of copyrightable materials and information now allowed by statutory or judicial law or hereinafter granted. Product names used in this document may be trademarks or registered trademarks of their respective companies and are hereby acknowledged. All non-ELATION brands and product names are trademarks or registered trademarks of their respective companies.

Elation Professional USA | 6122 S. Eastern Ave. | Los Angeles, CA. 90040

323-582-3322 | 323-832-9142 fax | www.elationlighting.com | info@elationlighting.com

Elation Professional B.V. | Junostraat 2 | 6468 EW Kerkrade, The Netherlands

+31 45 546 85 66 | +31 45 546 85 96 fax | www.elationlighting.eu | info@elationlighting.eu

Elation Professional Mexico | AV Santa Ana 30 | Parque Industrial Lerma, Lerma, Mexico 52000

+52 (728) 282-7070

Testing Process

Total Lumen Measurements

Lumens are measured using a Viso Systems Lab Spion. As a goniophotometer, the Viso calculates the field lumens of the fixture by taking multiple measurements across the light beam.

Many lumens figures provided for entertainment lighting fixtures are only 2π sphere values, some even emphasize the LED engine lumens. All Elation product photometric data is the actual light output from the fixture lens, never a theoretical value based on calculation or using the source lumens as the fixtures output. We advise to always compare total fixture lumens acquired with identical measurement systems when comparing lighting fixtures.

Test Lab Equipment and Process

Elation operates an optical testing laboratory at its Los Angeles, CA headquarters to provide accurate photometric data for its lighting products. The testing lab is both light and climate- controlled and contains a variety of precise lighting measurement systems. Fixtures are analyzed with the sophisticated [Viso Systems Lab Spion](#) equipment, which measures all light and color parameters by panning the light beam at a precise speed and from different angles through a calibrated, laser aligned light and color sensor. Test data is collected and summarized by the Viso Light Inspector software. This type of measurement system is referred to as a Goniophotometer.

The Viso software calculates all relevant types of measurements, from beam angles, candela to center light intensity at a variety of distances to the latest color quality measurements like TM30 or CQS as well as accurate color temperature. This wealth of data is then processed by an Elation specific template which is included in the photometric test report for various fixture conditions such as zoom angles and color correction filters.

The Viso software also creates IES (Illuminating Engineering Society) files for each test report. IES is an industry standard file format created for the easy electronic transfer of photometric test data, which is widely used by lighting manufacturers for photometric data distribution.

Additionally, fixtures are periodically rechecked for accuracy using various hand-held light meters including one or more of the devices listed below. This is done to ensure the test data contained in this report is as accurate as possible.

[Asenstek Lighting Passport](#) | [Konica Minolta T-10](#) | [Sekonic C800U](#)

Key Measurements

Output

Total Lumen Output: 9861 lm
Peak Intensity: 19940 cd

Beam

Beam Angle (50%): 45.6°
Field Angle (10%): 50°
Cutoff Angle (2.5%): 51.9°

Color

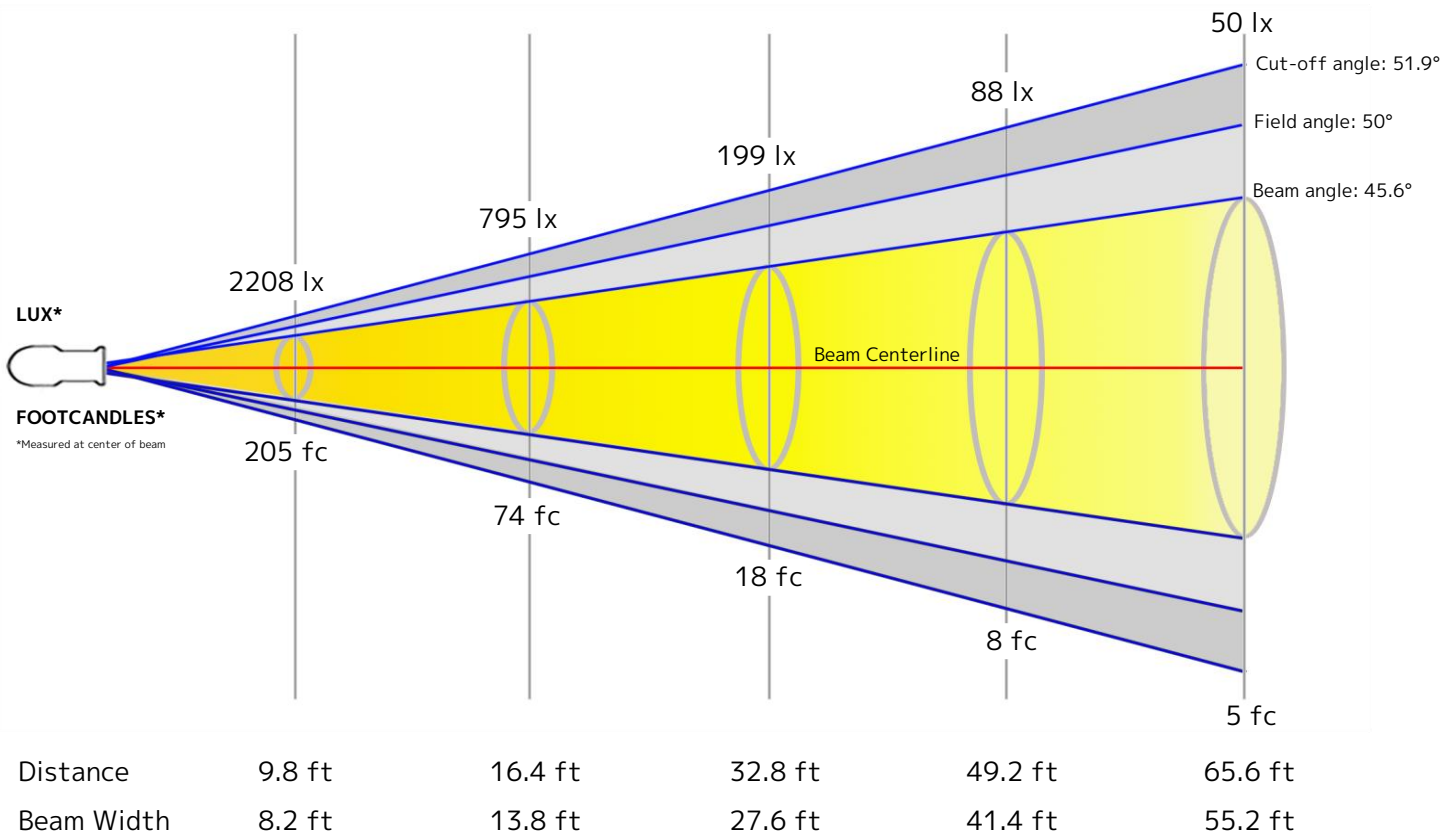
Color Temperature: 6016 K
CRI: 90.7
TLCI: 93
TM30 R_F: 89.5
TM30 R_g: 105.9

Power Details

Efficacy: 27 Lumen/Watt
Power: 363 W
Supply Voltage: 118 V
Current: 3.07 A

Beam Details

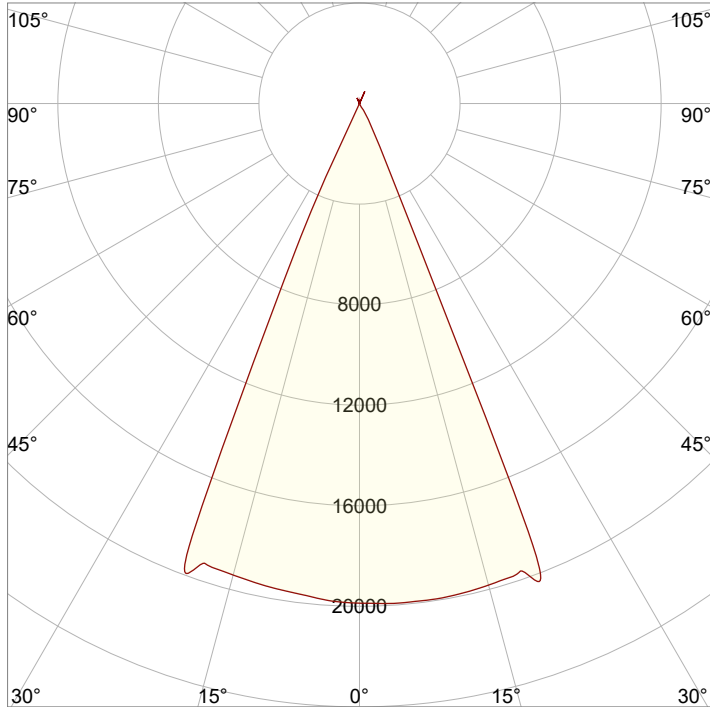
Distance	3 m	5 m	10 m	15 m	20 m
Beam Width	2.5 m	4.2 m	8.4 m	12.6 m	16.8 m



Beam Intensities from 1-20m

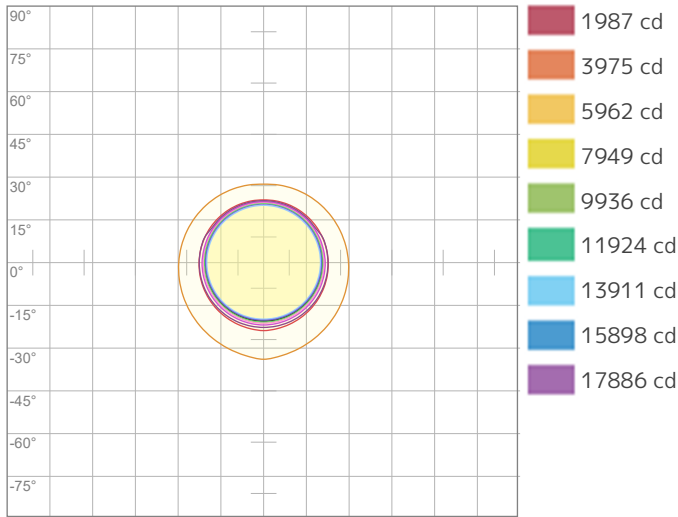
M	1	2	3	4	5	6	7	8	9	10	11	12	13	14	15	16	17	18	19	20
LX	19873	4968	2208	1242	795	552	406	311	245	199	164	138	118	101	88	78	69	61	55	50
FT	3.3	6.6	9.8	13.1	16.4	19.7	23	26.2	29.5	32.8	36.1	39.4	42.7	45.9	49.2	52.5	55.8	59.1	62.3	65.6
FC	1846.2	461.6	205.1	115.4	73.8	51.3	37.7	28.8	22.8	18.5	15.3	12.8	10.9	9.4	8.2	7.2	6.4	5.7	5.1	4.6

Angular Distribution



Beam Angle - 50%
45.6°
Field Angle - 10%
50°
Cutoff Angle - 2.5%
51.9°

ISO Diagrams

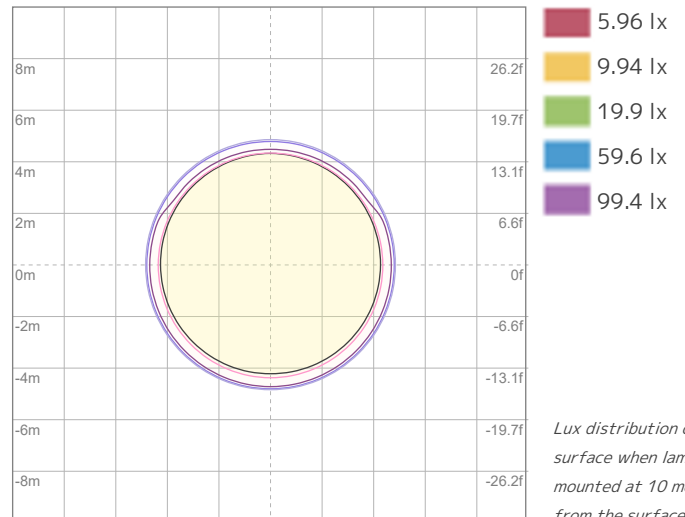


ISO Candela Diagram

Conditions:

Number of c-planes: 2

Candela at center: 19873 cd



ISO LUX Diagram

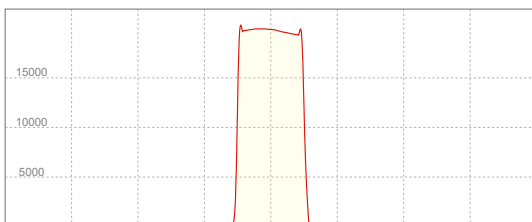
Conditions:

Number of c-planes: 2

LUX at center: 199 lx

Lux distribution on a surface when lamp is mounted at 10 meters from the surface.

Linear Distribution



Peak Candela
19940 cd

Calculate Center Beam Intensities

$$\text{lux} = 19940 / \text{distance(m)}^2$$

$$\text{fc} = 19940 / \text{distance(ft)}^2$$

Key Measurements

Output

Total Lumen Output: 5215 lm
Peak Intensity: 10607 cd

Beam

Beam Angle (50%): 45.7°
Field Angle (10%): 49.4°
Cutoff Angle (2.5%): 51.7°

Color

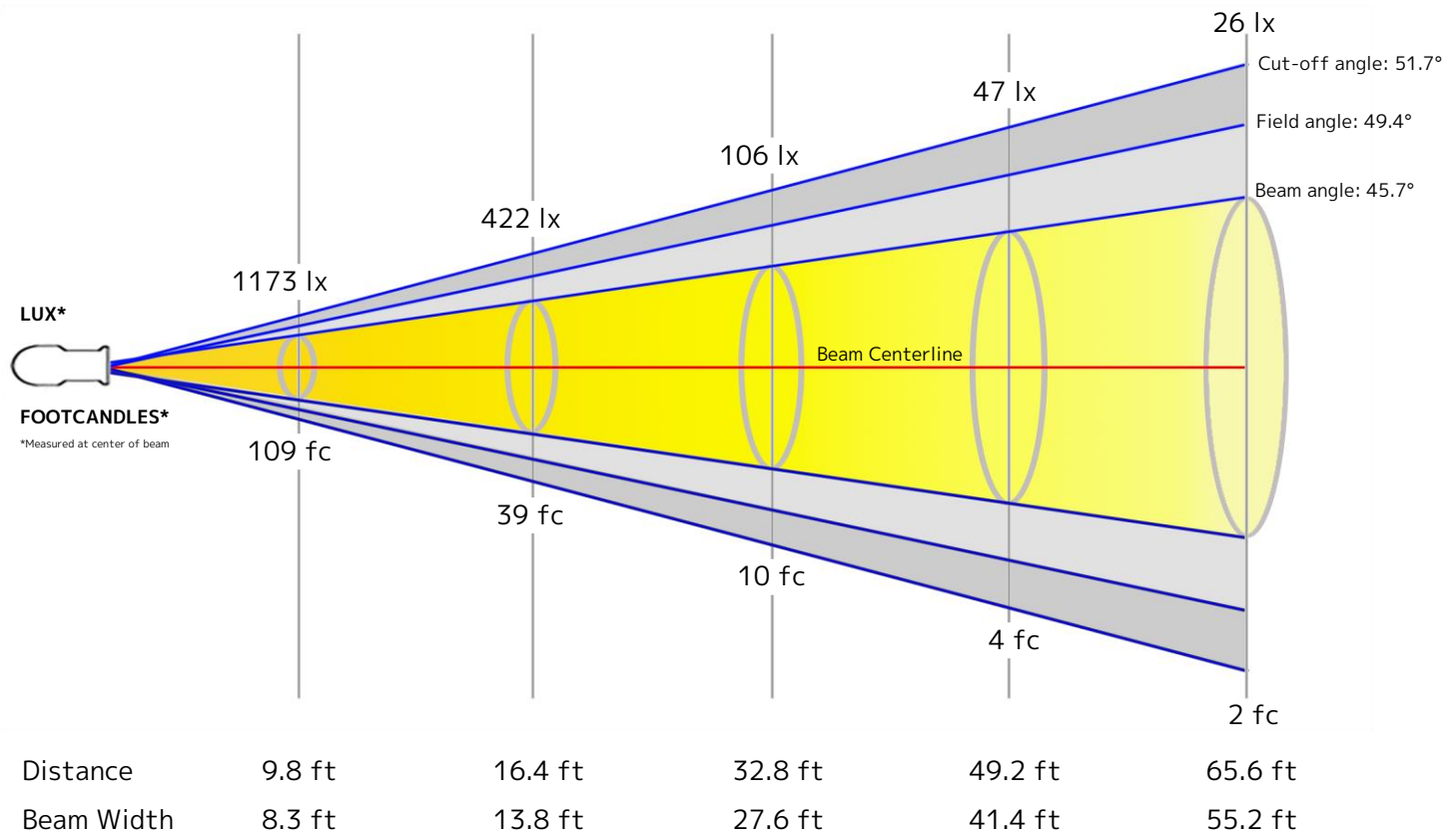
Color Temperature: 2657 K
CRI: 91.4
TLCI: 87
TM30 R_F: 93.2
TM30 R_g: 104.2

Power Details

Efficacy: 26 Lumen/Watt
Power: 199 W
Supply Voltage: 119 V
Current: 1.68 A

Beam Details

Distance	3 m	5 m	10 m	15 m	20 m
Beam Width	2.5 m	4.2 m	8.4 m	12.6 m	16.8 m



Beam Intensities from 1-20m

M	1	2	3	4	5	6	7	8	9	10	11	12	13	14	15	16	17	18	19	20
LX	10557	2639	1173	660	422	293	215	165	130	106	87	73	62	54	47	41	37	33	29	26
FT	3.3	6.6	9.8	13.1	16.4	19.7	23	26.2	29.5	32.8	36.1	39.4	42.7	45.9	49.2	52.5	55.8	59.1	62.3	65.6
FC	980.8	245.2	109	61.3	39.2	27.2	20	15.3	12.1	9.8	8.1	6.8	5.8	5	4.4	3.8	3.4	3	2.7	2.5

Key Measurements

Output

Total Lumen Output: 6334 lm
Peak Intensity: 12871 cd

Beam

Beam Angle (50%): 45.8°
Field Angle (10%): 49.3°
Cutoff Angle (2.5%): 51.4°

Color

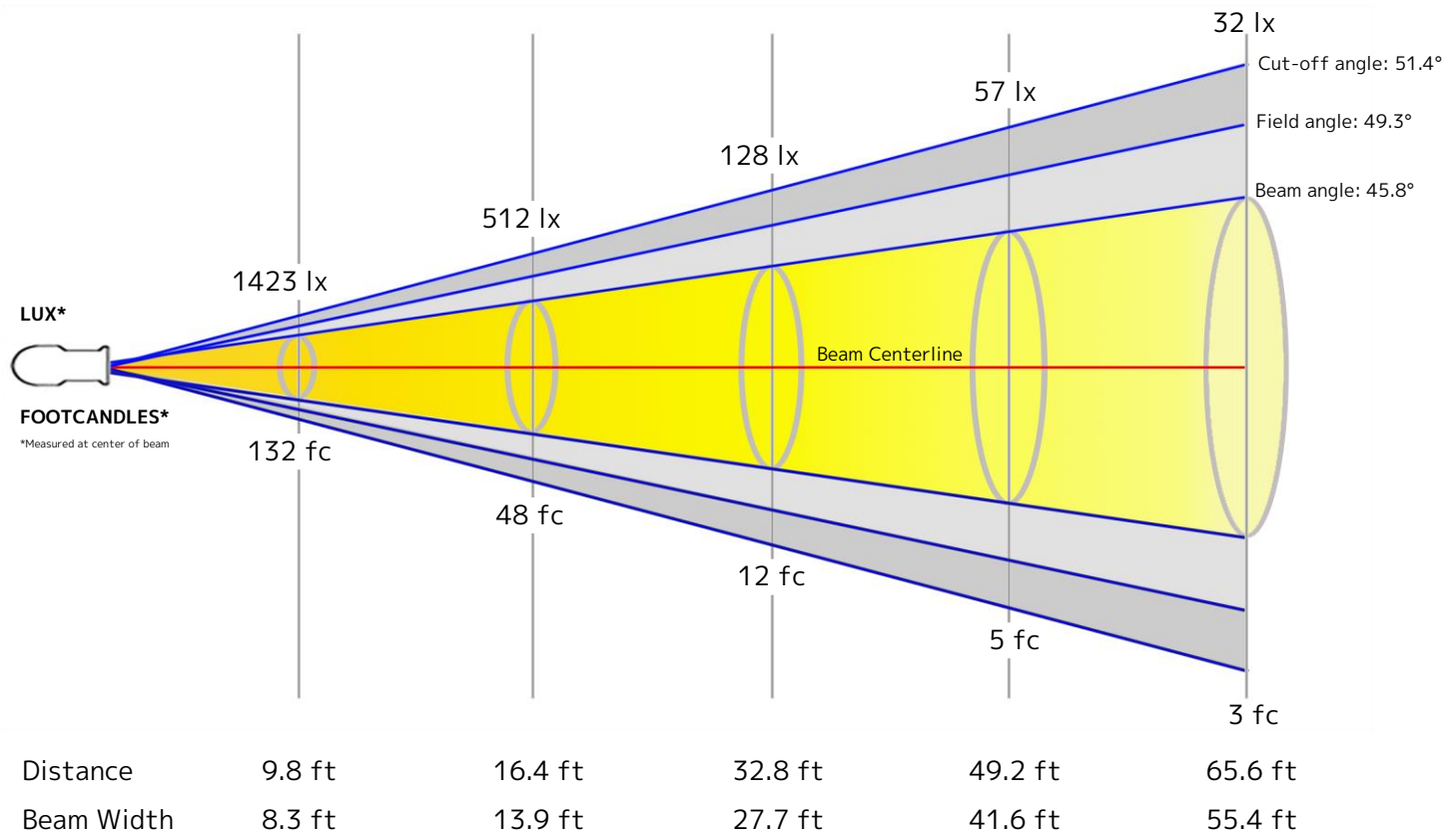
Color Temperature: 3216 K
CRI: 92.9
TLCI: 91
TM30 R_F: 93.5
TM30 R_g: 104.3

Power Details

Efficacy: 29 Lumen/Watt
Power: 222 W
Supply Voltage: 119 V
Current: 1.87 A

Beam Details

Distance	3 m	5 m	10 m	15 m	20 m
Beam Width	2.5 m	4.2 m	8.4 m	12.7 m	16.9 m



Beam Intensities from 1-20m

M	1	2	3	4	5	6	7	8	9	10	11	12	13	14	15	16	17	18	19	20
LX	12811	3203	1423	801	512	356	261	200	158	128	106	89	76	65	57	50	44	40	35	32
FT	3.3	6.6	9.8	13.1	16.4	19.7	23	26.2	29.5	32.8	36.1	39.4	42.7	45.9	49.2	52.5	55.8	59.1	62.3	65.6
FC	1190.2	297.5	132.2	74.4	47.6	33.1	24.3	18.6	14.7	11.9	9.8	8.3	7	6.1	5.3	4.6	4.1	3.7	3.3	3

Key Measurements

Output

Total Lumen Output: 8523 lm
Peak Intensity: 17215 cd

Beam

Beam Angle (50%): 45.7°
Field Angle (10%): 50°
Cutoff Angle (2.5%): 51.9°

Color

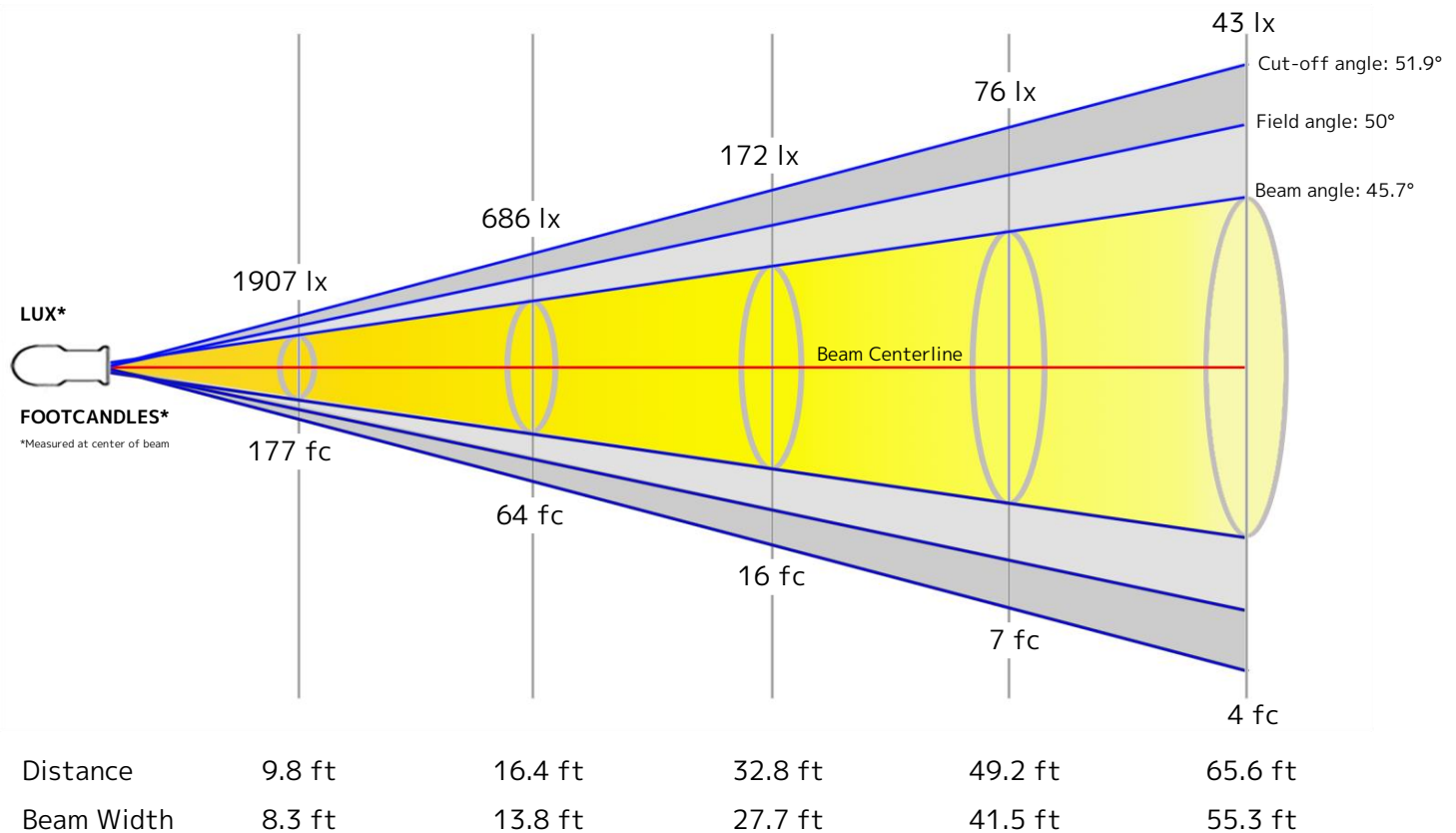
Color Temperature: 4510 K
CRI: 93.0
TLCI: 92
TM30 R_F: 91.1
TM30 R_g: 104.3

Power Details

Efficacy: 29 Lumen/Watt
Power: 289 W
Supply Voltage: 119 V
Current: 2.43 A

Beam Details

Distance	3 m	5 m	10 m	15 m	20 m
Beam Width	2.5 m	4.2 m	8.4 m	12.7 m	16.9 m



Beam Intensities from 1-20m

M	1	2	3	4	5	6	7	8	9	10	11	12	13	14	15	16	17	18	19	20
LX	17159	4290	1907	1072	686	477	350	268	212	172	142	119	102	88	76	67	59	53	48	43
FT	3.3	6.6	9.8	13.1	16.4	19.7	23	26.2	29.5	32.8	36.1	39.4	42.7	45.9	49.2	52.5	55.8	59.1	62.3	65.6
FC	1594.1	398.5	177.1	99.6	63.8	44.3	32.5	24.9	19.7	15.9	13.2	11.1	9.4	8.1	7.1	6.2	5.5	4.9	4.4	4

Key Measurements

Output

Total Lumen Output: 8865 lm
Peak Intensity: 18006 cd

Beam

Beam Angle (50%): 45.9°
Field Angle (10%): 49.3°
Cutoff Angle (2.5%): 51.1°

Color

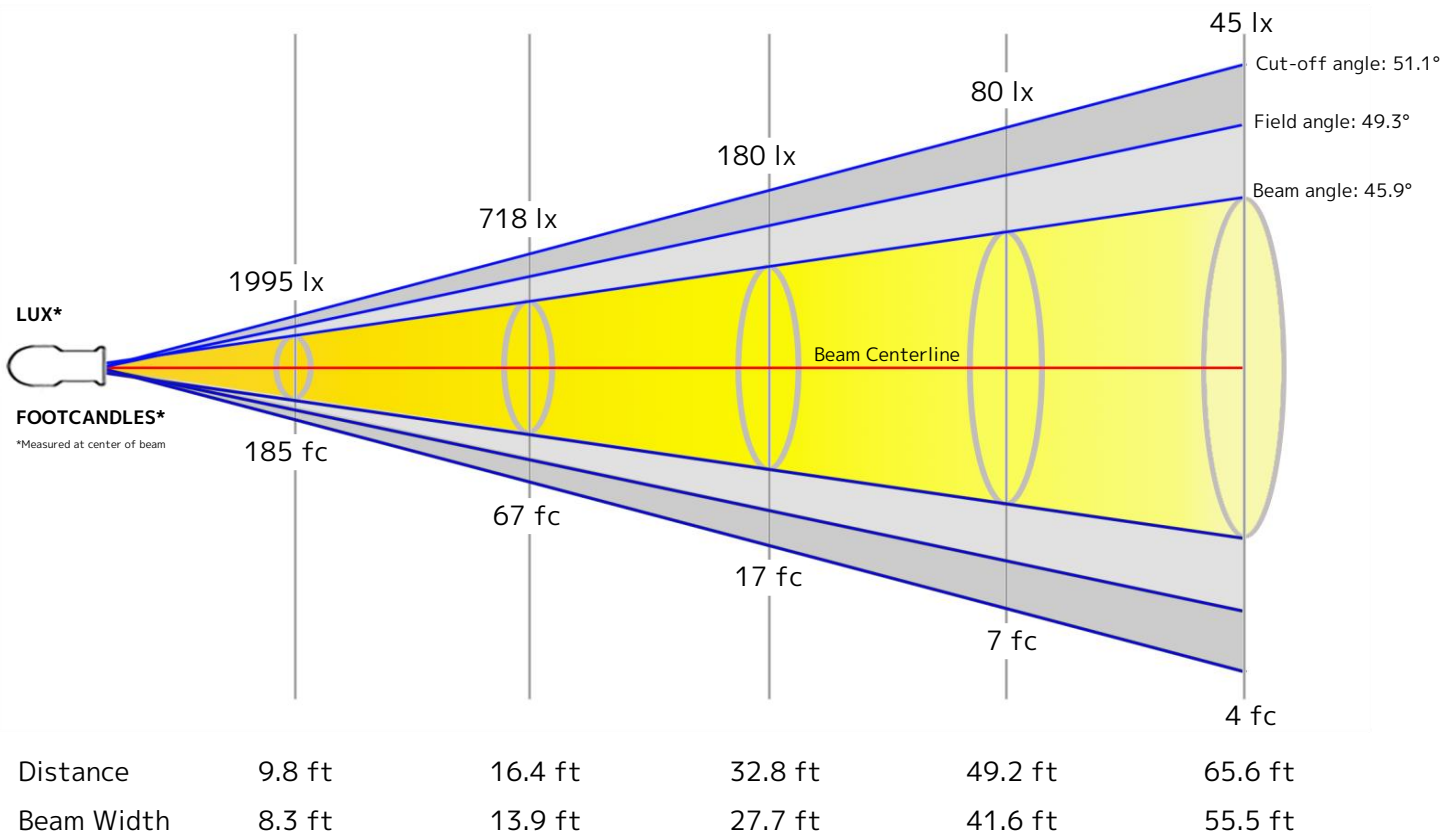
Color Temperature: 5593 K
CRI: 92.6
TLCI: 93
TM30 R_F: 90.0
TM30 R_g: 103.7

Power Details

Efficacy: 28 Lumen/Watt
Power: 315 W
Supply Voltage: 119 V
Current: 2.65 A

Beam Details

Distance	3 m	5 m	10 m	15 m	20 m
Beam Width	2.5 m	4.2 m	8.5 m	12.7 m	16.9 m



Beam Intensities from 1-20m

M	1	2	3	4	5	6	7	8	9	10	11	12	13	14	15	16	17	18	19	20
LX	17952	4488	1995	1122	718	499	366	281	222	180	148	125	106	92	80	70	62	55	50	45
FT	3.3	6.6	9.8	13.1	16.4	19.7	23	26.2	29.5	32.8	36.1	39.4	42.7	45.9	49.2	52.5	55.8	59.1	62.3	65.6
FC	1667.8	417	185.3	104.2	66.7	46.3	34	26.1	20.6	16.7	13.8	11.6	9.9	8.5	7.4	6.5	5.8	5.1	4.6	4.2

Key Measurements

Output

Total Lumen Output: 8997 lm
Peak Intensity: 18262 cd

Beam

Beam Angle (50%): 45.7°
Field Angle (10%): 49.5°
Cutoff Angle (2.5%): 51.7°

Color

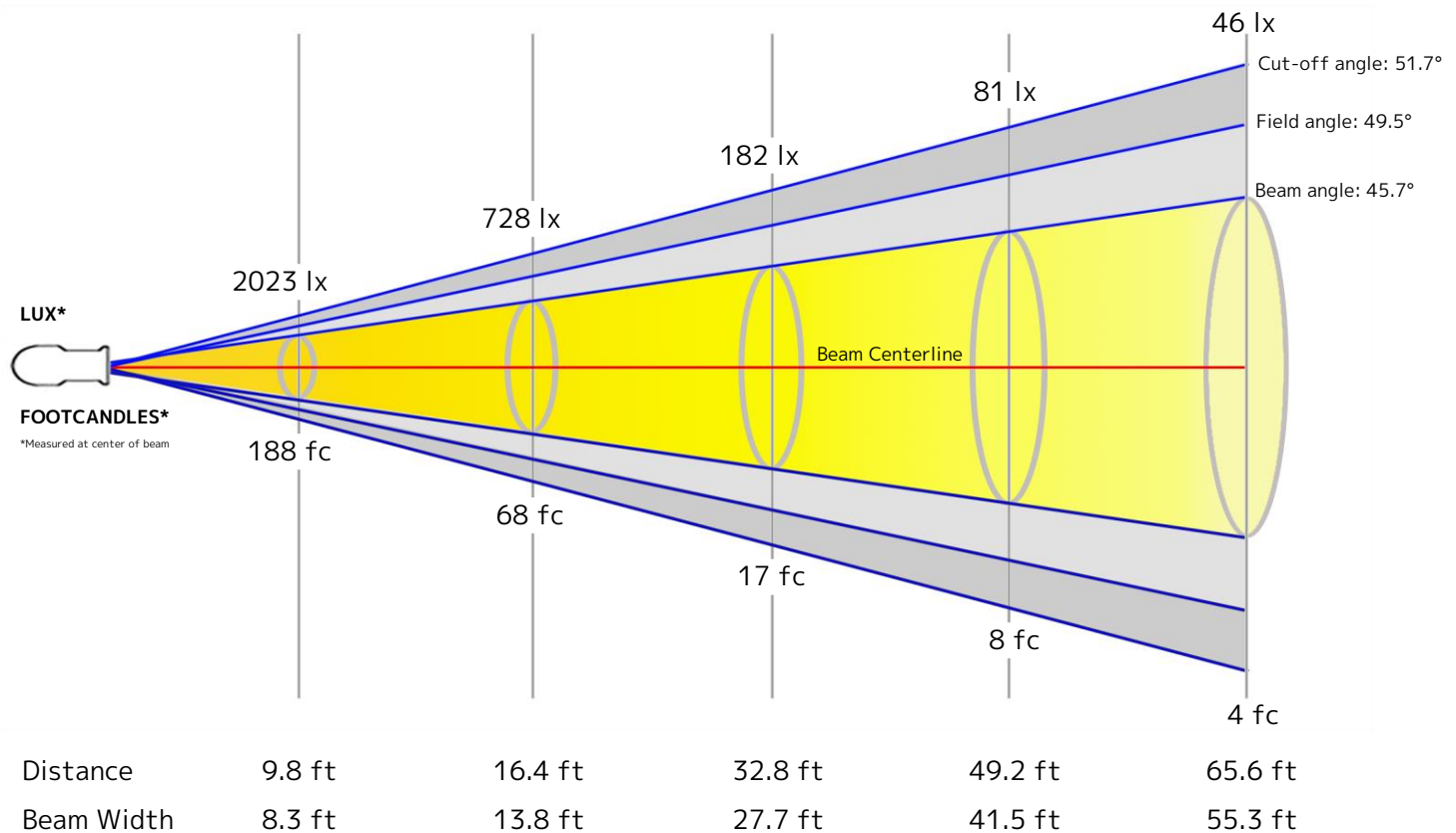
Color Temperature: 6039 K
CRI: 92.5
TLCI: 93
TM30 R_F: 89.6
TM30 R_g: 103.4

Power Details

Efficacy: 28 Lumen/Watt
Power: 323 W
Supply Voltage: 119 V
Current: 2.71 A

Beam Details

Distance	3 m	5 m	10 m	15 m	20 m
Beam Width	2.5 m	4.2 m	8.4 m	12.6 m	16.9 m



Beam Intensities from 1-20m

M	1	2	3	4	5	6	7	8	9	10	11	12	13	14	15	16	17	18	19	20
LX	18203	4551	2023	1138	728	506	371	284	225	182	150	126	108	93	81	71	63	56	50	46
FT	3.3	6.6	9.8	13.1	16.4	19.7	23	26.2	29.5	32.8	36.1	39.4	42.7	45.9	49.2	52.5	55.8	59.1	62.3	65.6
FC	1691.1	422.8	187.9	105.7	67.6	47	34.5	26.4	20.9	16.9	14	11.7	10	8.6	7.5	6.6	5.9	5.2	4.7	4.2

Key Measurements

Output

Total Lumen Output: 8956 lm
Peak Intensity: 18155 cd

Beam

Beam Angle (50%): 45.7°
Field Angle (10%): 50°
Cutoff Angle (2.5%): 51.9°

Color

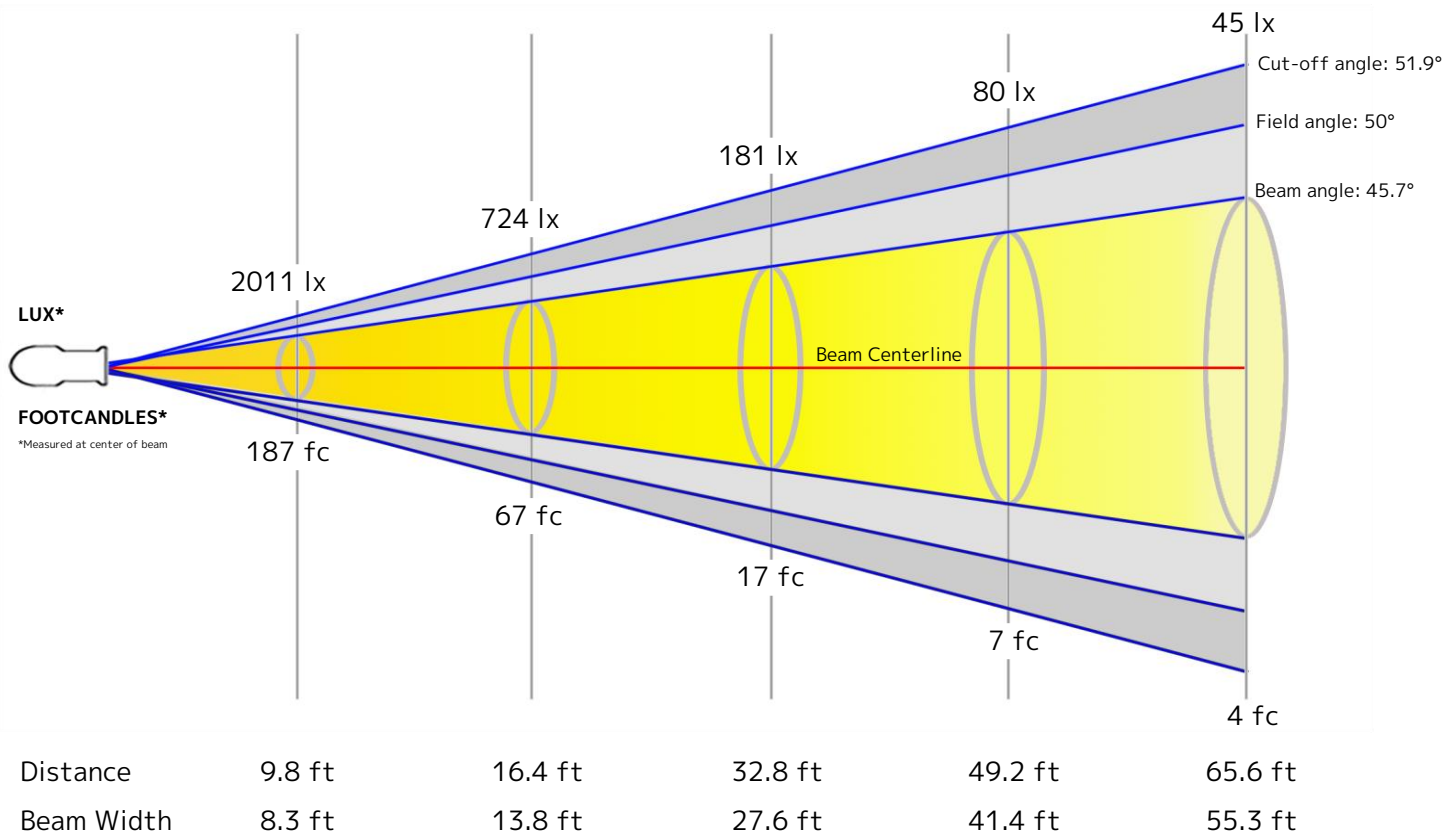
Color Temperature: 6495 K
CRI: 92.3
TLCI: 92
TM30 R_F: 88.8
TM30 R_G: 102.2

Power Details

Efficacy: 27 Lumen/Watt
Power: 327 W
Supply Voltage: 119 V
Current: 2.75 A

Beam Details

Distance	3 m	5 m	10 m	15 m	20 m
Beam Width	2.5 m	4.2 m	8.4 m	12.6 m	16.8 m



Beam Intensities from 1-20m

M	1	2	3	4	5	6	7	8	9	10	11	12	13	14	15	16	17	18	19	20
LX	18098	4524	2011	1131	724	503	369	283	223	181	150	126	107	92	80	71	63	56	50	45
FT	3.3	6.6	9.8	13.1	16.4	19.7	23	26.2	29.5	32.8	36.1	39.4	42.7	45.9	49.2	52.5	55.8	59.1	62.3	65.6
FC	1681.3	420.3	186.8	105.1	67.3	46.7	34.3	26.3	20.8	16.8	13.9	11.7	9.9	8.6	7.5	6.6	5.8	5.2	4.7	4.2

Key Measurements

Output

Total Lumen Output: 9613 lm
Peak Intensity: 37069 cd

Beam

Beam Angle (50%): 33.1°
Field Angle (10%): 36.2°
Cutoff Angle (2.5%): 37.6°

Color

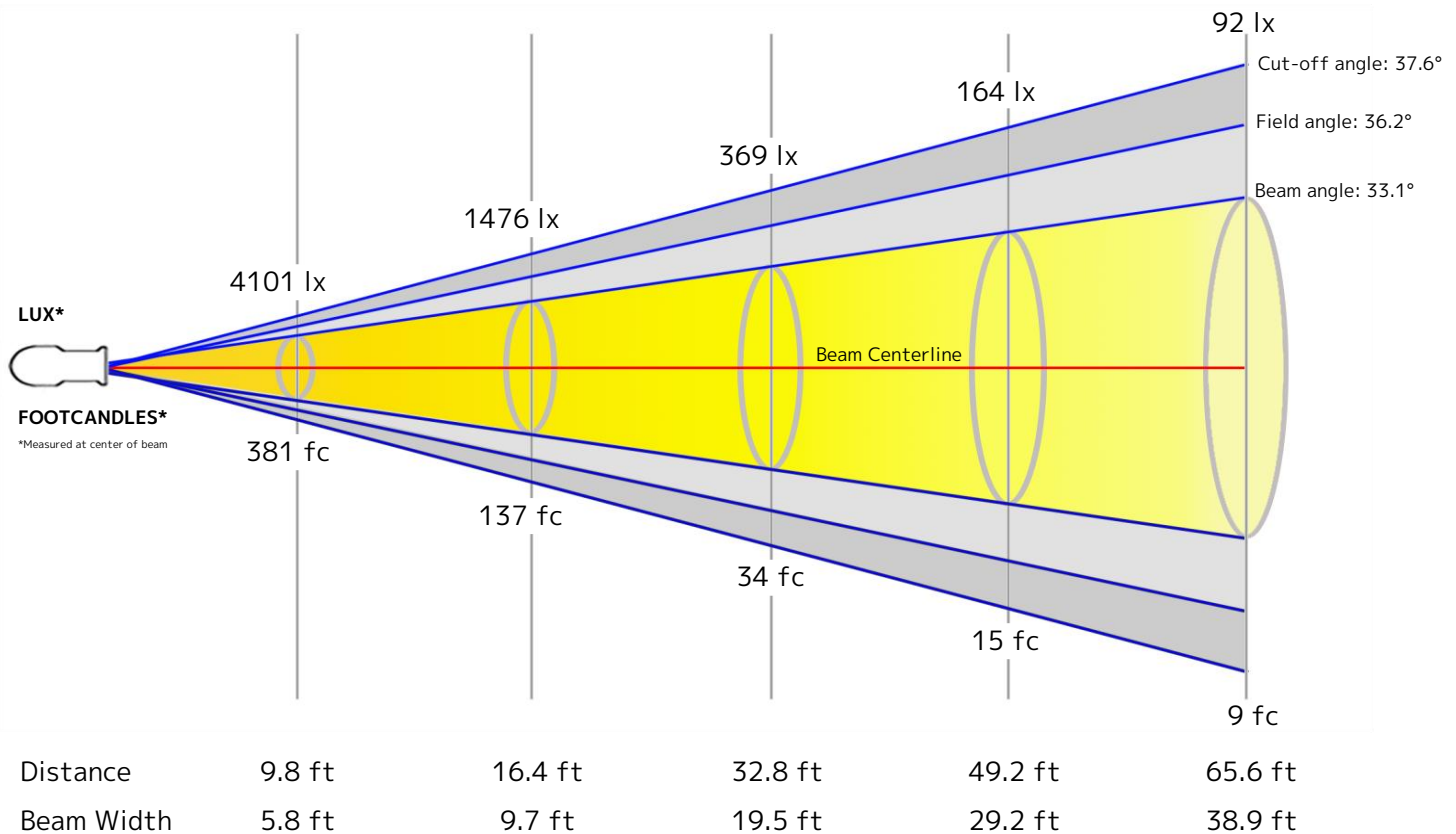
Color Temperature: 6080 K
CRI: 91.2
TLCI: 93
TM30 R_F: 89.5
TM30 R_g: 105.4

Power Details

Efficacy: 26 Lumen/Watt
Power: 363 W
Supply Voltage: 118 V
Current: 3.08 A

Beam Details

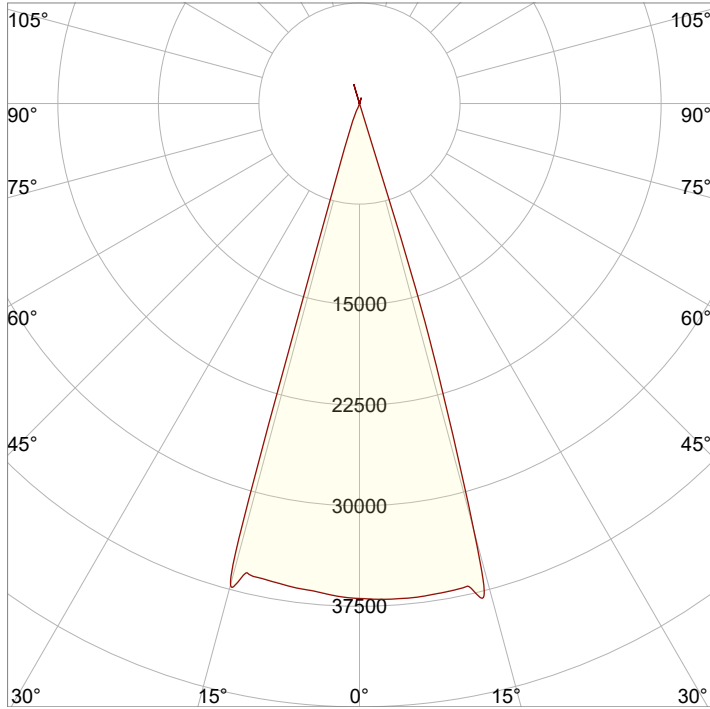
Distance	3 m	5 m	10 m	15 m	20 m
Beam Width	1.8 m	3 m	5.9 m	8.9 m	11.9 m



Beam Intensities from 1-20m

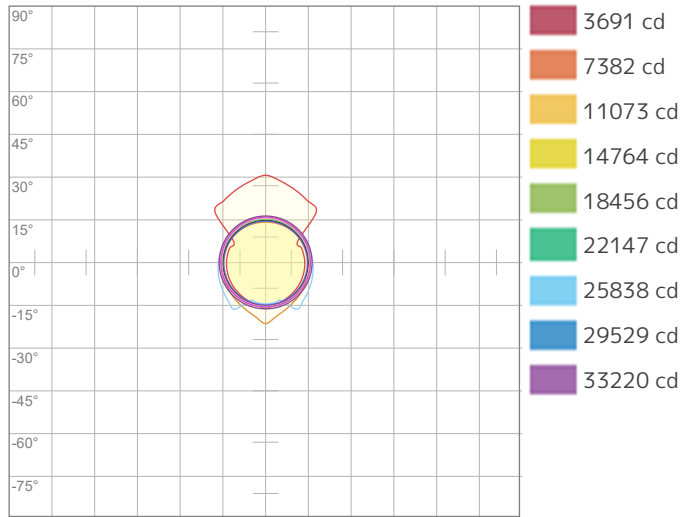
M	1	2	3	4	5	6	7	8	9	10	11	12	13	14	15	16	17	18	19	20
LX	36911	9228	4101	2307	1476	1025	753	577	456	369	305	256	218	188	164	144	128	114	102	92
FT	3.3	6.6	9.8	13.1	16.4	19.7	23	26.2	29.5	32.8	36.1	39.4	42.7	45.9	49.2	52.5	55.8	59.1	62.3	65.6
FC	3429.2	857.3	381	214.3	137.2	95.3	70	53.6	42.3	34.3	28.3	23.8	20.3	17.5	15.2	13.4	11.9	10.6	9.5	8.6

Angular Distribution

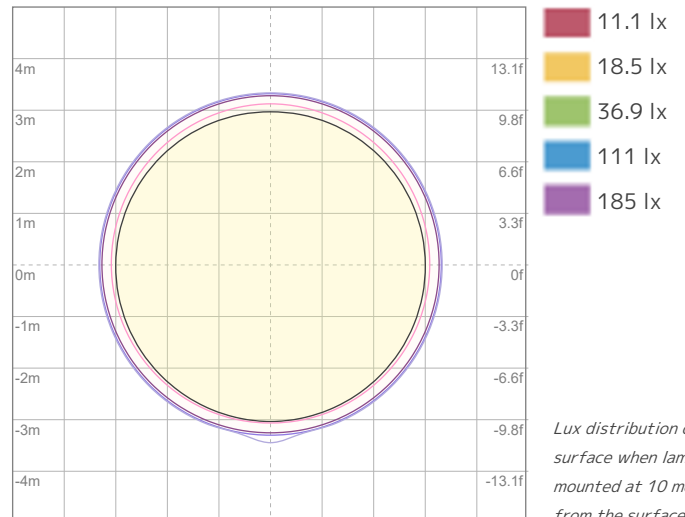


Beam Angle - 50%
33.1°
Field Angle - 10%
36.2°
Cutoff Angle - 2.5%
37.6°

ISO Diagrams



ISO Candela Diagram



ISO LUX Diagram

Lux distribution on a surface when lamp is mounted at 10 meters from the surface.

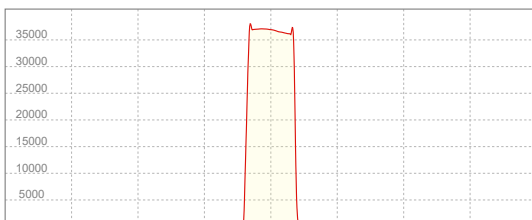
Conditions:

Number of c-planes: 2
Candela at center: 36911 cd

Conditions:

Number of c-planes: 2
LUX at center: 369 lx

Linear Distribution



Peak Candela
37069 cd

Calculate Center Beam Intensities

$$\text{lux} = 37069 / \text{distance(m)}^2$$

$$\text{fc} = 37069 / \text{distance(ft)}^2$$

Key Measurements

Output

Total Lumen Output: 5533 lm
Peak Intensity: 21456 cd

Beam

Beam Angle (50%): 32.9°
Field Angle (10%): 36.4°
Cutoff Angle (2.5%): 37.6°

Color

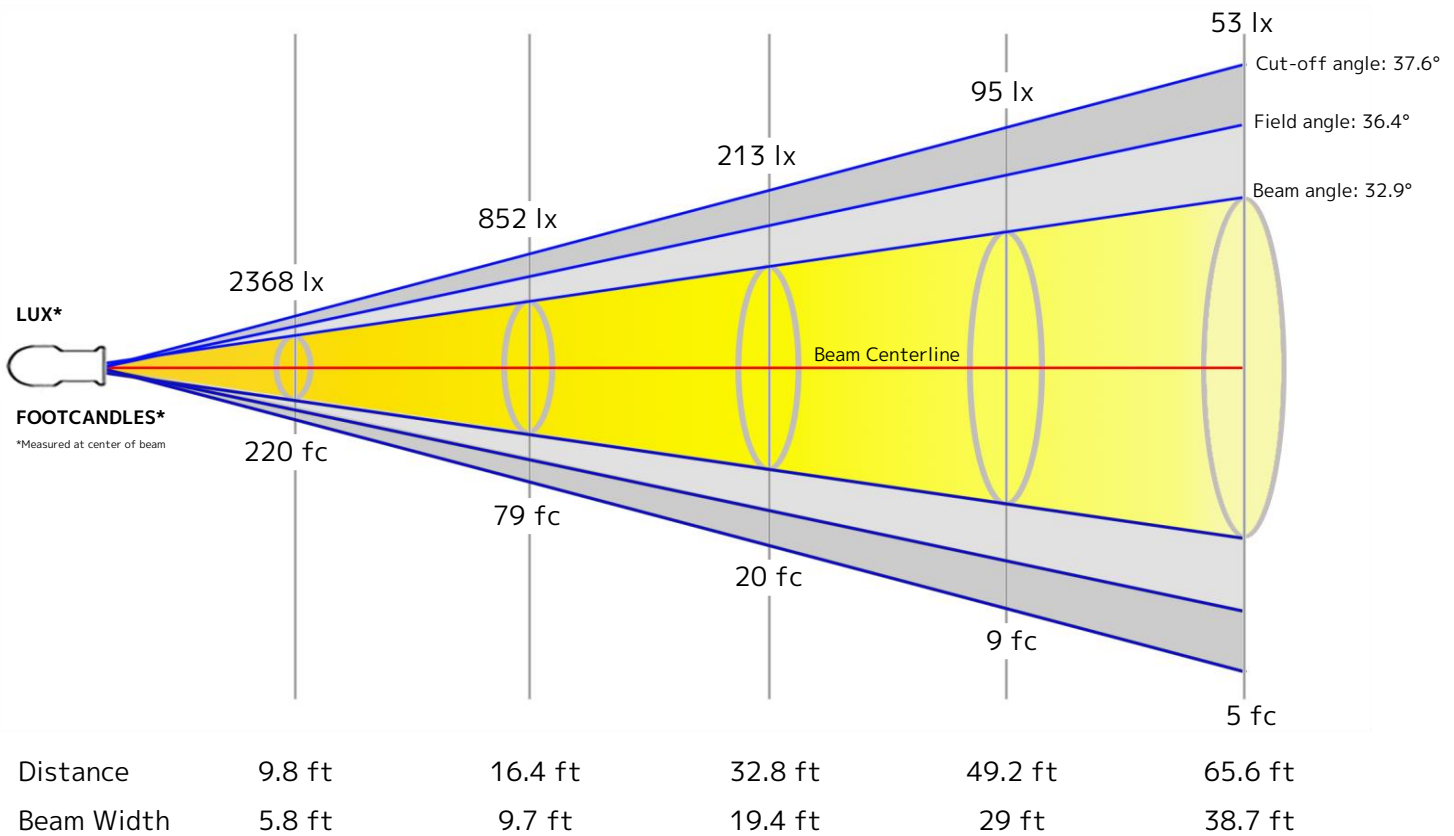
Color Temperature: 2742 K
CRI: 91.4
TLCI: 87
TM30 R_F: 93.2
TM30 R_g: 104.7

Power Details

Efficacy: 28 Lumen/Watt
Power: 199.9 W
Supply Voltage: 118 V
Current: 1.70 A

Beam Details

Distance	3 m	5 m	10 m	15 m	20 m
Beam Width	1.8 m	3 m	5.9 m	8.9 m	11.8 m



Beam Intensities from 1-20m

M	1	2	3	4	5	6	7	8	9	10	11	12	13	14	15	16	17	18	19	20
LX	21311	5328	2368	1332	852	592	435	333	263	213	176	148	126	109	95	83	74	66	59	53
FT	3.3	6.6	9.8	13.1	16.4	19.7	23	26.2	29.5	32.8	36.1	39.4	42.7	45.9	49.2	52.5	55.8	59.1	62.3	65.6
FC	1979.8	495	220	123.7	79.2	55	40.4	30.9	24.4	19.8	16.4	13.7	11.7	10.1	8.8	7.7	6.9	6.1	5.5	4.9

Key Measurements

Output

Total Lumen Output: 6668 lm
Peak Intensity: 25847 cd

Beam

Beam Angle (50%): 32.8°
Field Angle (10%): 36.6°
Cutoff Angle (2.5%): 37.6°

Color

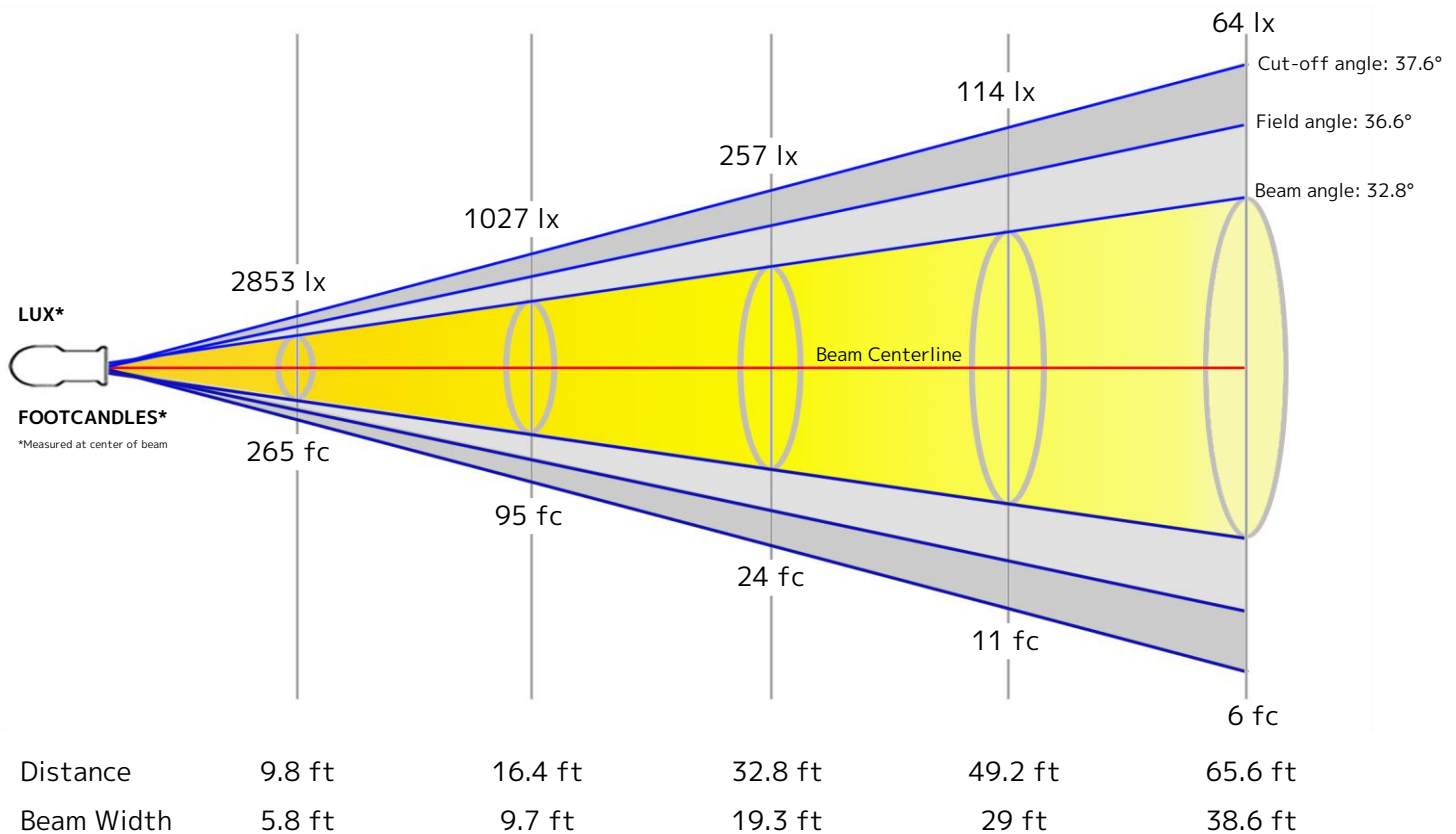
Color Temperature: 3193 K
CRI: 93.5
TLCI: 90
TM30 R_F: 93.4
TM30 R_g: 104.4

Power Details

Efficacy: 30 Lumen/Watt
Power: 222 W
Supply Voltage: 118 V
Current: 1.88 A

Beam Details

Distance	3 m	5 m	10 m	15 m	20 m
Beam Width	1.8 m	2.9 m	5.9 m	8.8 m	11.8 m



Beam Intensities from 1-20m

M	1	2	3	4	5	6	7	8	9	10	11	12	13	14	15	16	17	18	19	20
LX	25681	6420	2853	1605	1027	713	524	401	317	257	212	178	152	131	114	100	89	79	71	64
FT	3.3	6.6	9.8	13.1	16.4	19.7	23	26.2	29.5	32.8	36.1	39.4	42.7	45.9	49.2	52.5	55.8	59.1	62.3	65.6
FC	2385.9	596.5	265.1	149.1	95.4	66.3	48.7	37.3	29.5	23.9	19.7	16.6	14.1	12.2	10.6	9.3	8.3	7.4	6.6	6

Key Measurements

Output

Total Lumen Output: 8530 lm
Peak Intensity: 32936 cd

Beam

Beam Angle (50%): 32.9°
Field Angle (10%): 36.6°
Cutoff Angle (2.5%): 37.6°

Color

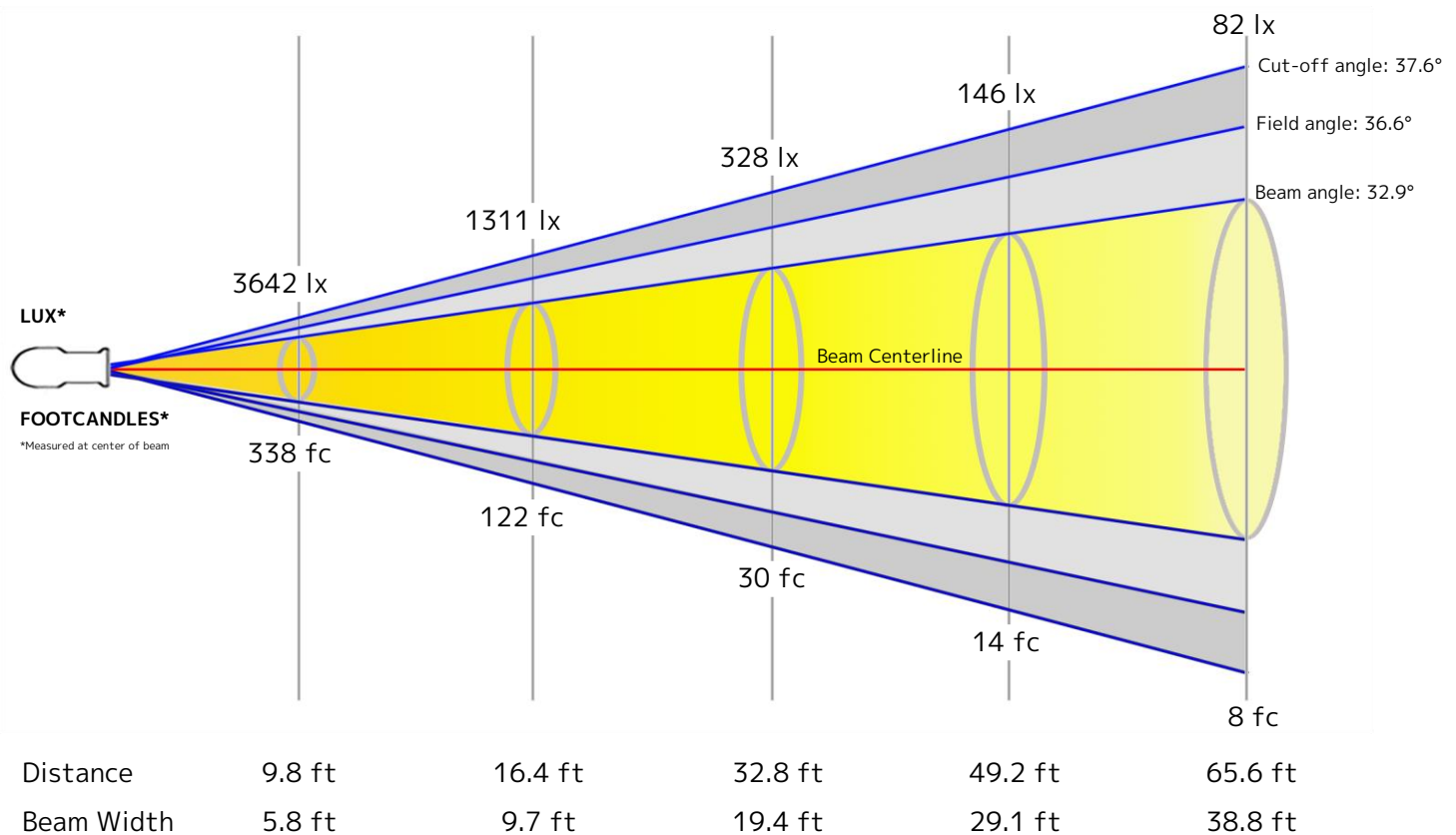
Color Temperature: 4496 K
CRI: 93.1
TLCI: 92
TM30 R_F: 91.0
TM30 R_g: 104.3

Power Details

Efficacy: 30 Lumen/Watt
Power: 289 W
Supply Voltage: 119 V
Current: 2.43 A

Beam Details

Distance	3 m	5 m	10 m	15 m	20 m
Beam Width	1.8 m	3 m	5.9 m	8.9 m	11.8 m



Beam Intensities from 1-20m

M	1	2	3	4	5	6	7	8	9	10	11	12	13	14	15	16	17	18	19	20
LX	32777	8194	3642	2049	1311	910	669	512	405	328	271	228	194	167	146	128	113	101	91	82
FT	3.3	6.6	9.8	13.1	16.4	19.7	23	26.2	29.5	32.8	36.1	39.4	42.7	45.9	49.2	52.5	55.8	59.1	62.3	65.6
FC	3045.1	761.3	338.3	190.3	121.8	84.6	62.1	47.6	37.6	30.5	25.2	21.1	18	15.5	13.5	11.9	10.5	9.4	8.4	7.6

Key Measurements

Output

Total Lumen Output: 8931 lm
Peak Intensity: 34428 cd

Beam

Beam Angle (50%): 33°
Field Angle (10%): 36.4°
Cutoff Angle (2.5%): 37.6°

Color

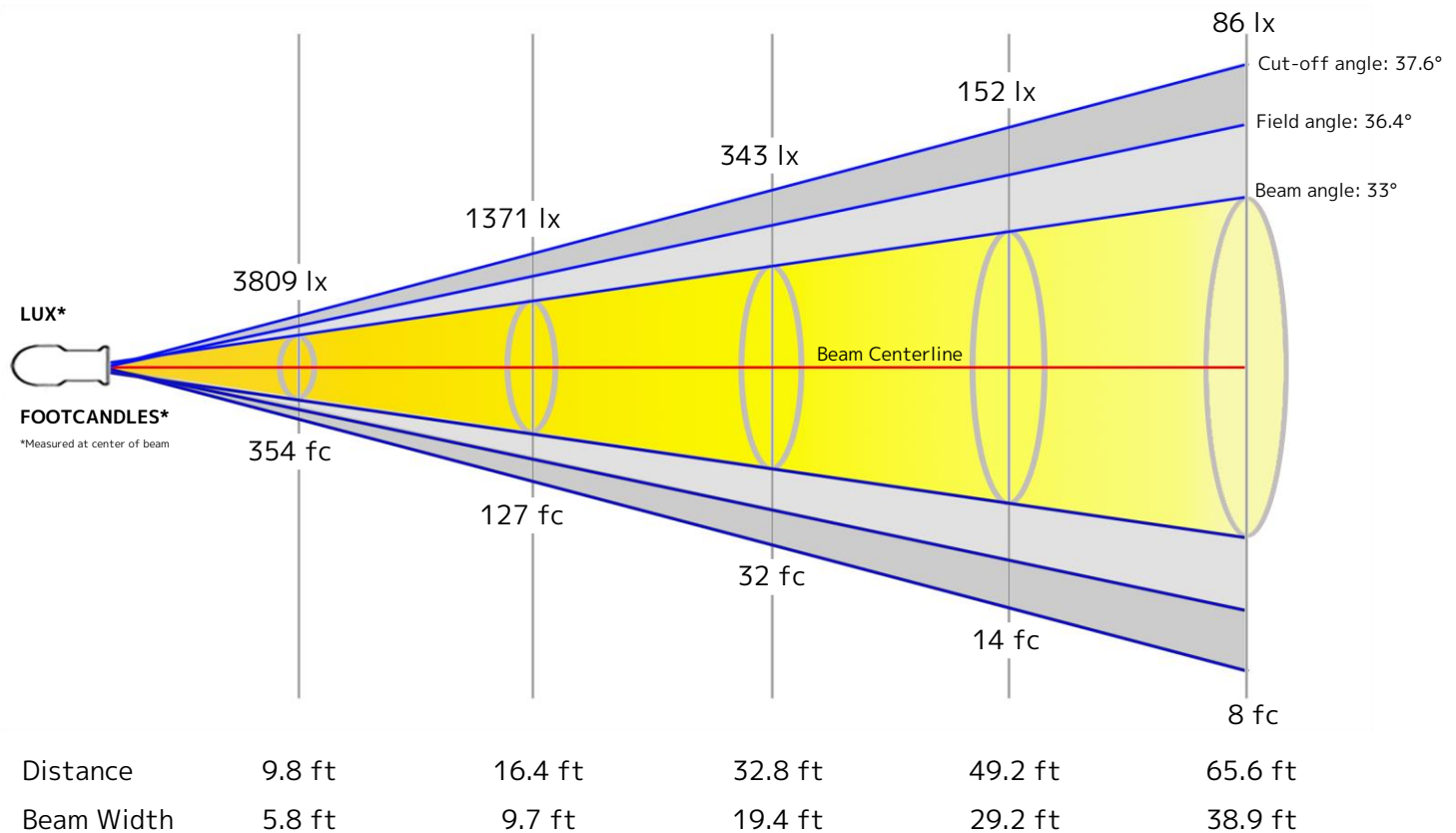
Color Temperature: 5599 K
CRI: 92.6
TLCI: 93
TM30 R_F: 90.0
TM30 R_g: 103.8

Power Details

Efficacy: 28 Lumen/Watt
Power: 315.1 W
Supply Voltage: 118 V
Current: 2.67 A

Beam Details

Distance	3 m	5 m	10 m	15 m	20 m
Beam Width	1.8 m	3 m	5.9 m	8.9 m	11.9 m



Beam Intensities from 1-20m

M	1	2	3	4	5	6	7	8	9	10	11	12	13	14	15	16	17	18	19	20
LX	34279	8570	3809	2142	1371	952	700	536	423	343	283	238	203	175	152	134	119	106	95	86
FT	3.3	6.6	9.8	13.1	16.4	19.7	23	26.2	29.5	32.8	36.1	39.4	42.7	45.9	49.2	52.5	55.8	59.1	62.3	65.6
FC	3184.6	796.2	353.8	199	127.4	88.5	65	49.8	39.3	31.8	26.3	22.1	18.8	16.2	14.2	12.4	11	9.8	8.8	8

Key Measurements

Output

Total Lumen Output: 9089 lm
Peak Intensity: 34984 cd

Beam

Beam Angle (50%): 33.5°
Field Angle (10%): 35.5°
Cutoff Angle (2.5%): 35.8°

Color

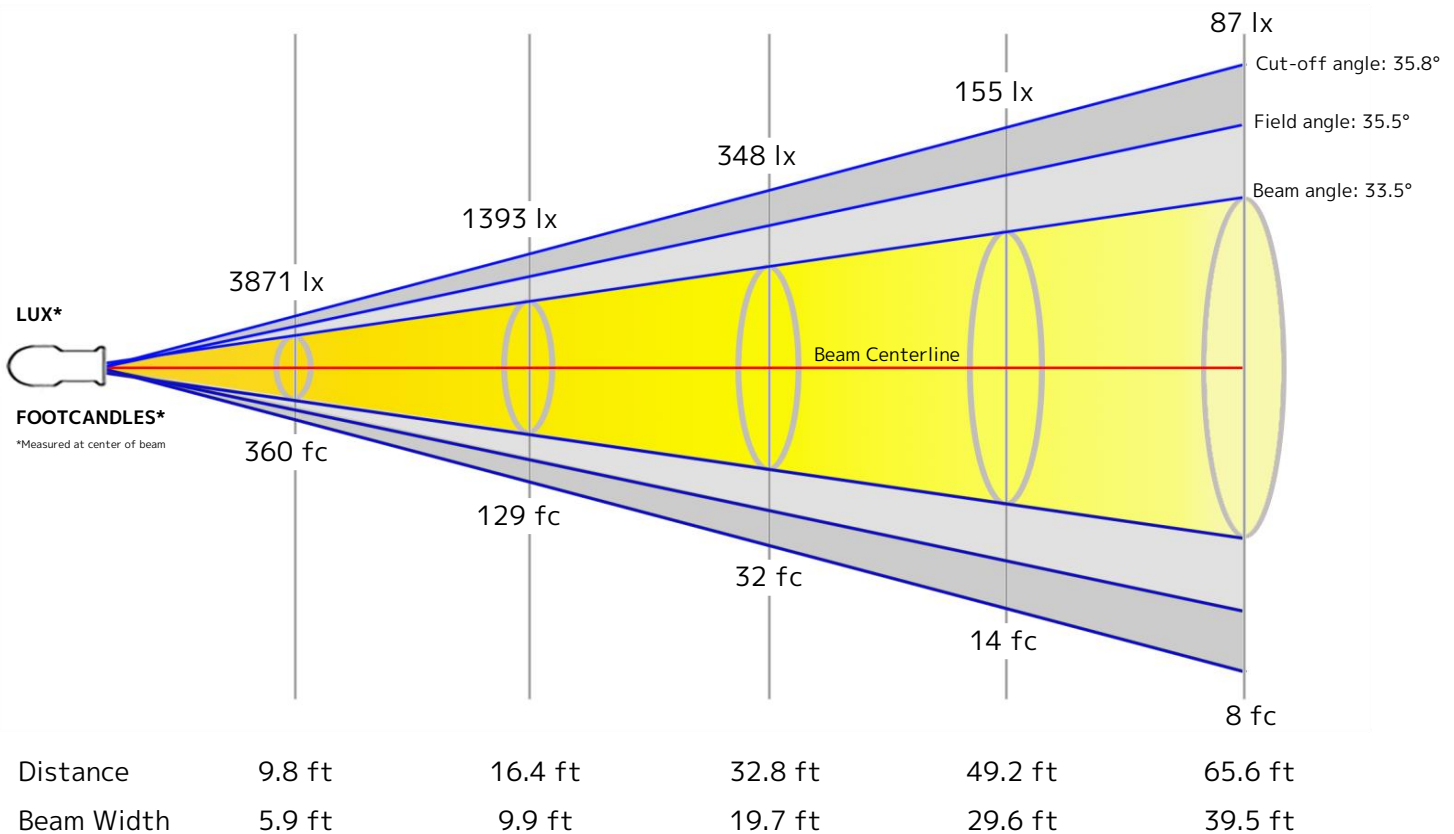
Color Temperature: 6045 K
CRI: 92.6
TLCI: 93
TM30 R_F: 89.7
TM30 R_g: 103.6

Power Details

Efficacy: 28 Lumen/Watt
Power: 323 W
Supply Voltage: 118 V
Current: 2.73 A

Beam Details

Distance	3 m	5 m	10 m	15 m	20 m
Beam Width	1.8 m	3 m	6 m	9 m	12 m



Beam Intensities from 1-20m

M	1	2	3	4	5	6	7	8	9	10	11	12	13	14	15	16	17	18	19	20
LX	34836	8709	3871	2177	1393	968	711	544	430	348	288	242	206	178	155	136	121	108	96	87
FT	3.3	6.6	9.8	13.1	16.4	19.7	23	26.2	29.5	32.8	36.1	39.4	42.7	45.9	49.2	52.5	55.8	59.1	62.3	65.6
FC	3236.4	809.1	359.6	202.3	129.5	89.9	66	50.6	40	32.4	26.7	22.5	19.2	16.5	14.4	12.6	11.2	10	9	8.1

Key Measurements

Output

Total Lumen Output: 9008 lm
Peak Intensity: 34825 cd

Beam

Beam Angle (50%): 32.9°
Field Angle (10%): 36.5°
Cutoff Angle (2.5%): 37.6°

Color

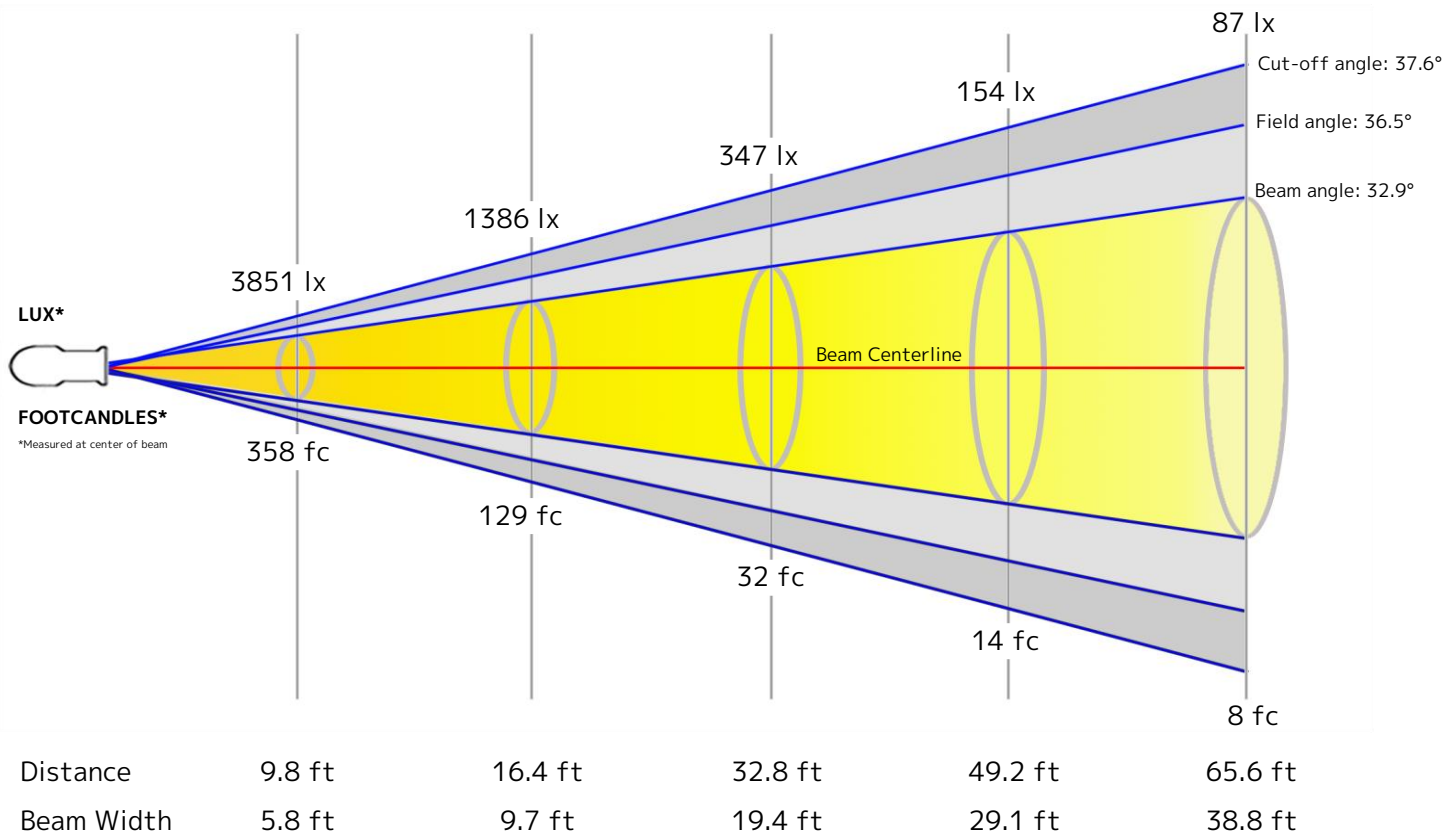
Color Temperature: 6476 K
CRI: 92.2
TLCI: 92
TM30 R_F: 88.7
TM30 R_G: 102.4

Power Details

Efficacy: 28 Lumen/Watt
Power: 327 W
Supply Voltage: 118 V
Current: 2.77 A

Beam Details

Distance	3 m	5 m	10 m	15 m	20 m
Beam Width	1.8 m	3 m	5.9 m	8.9 m	11.8 m



Beam Intensities from 1-20m

M	1	2	3	4	5	6	7	8	9	10	11	12	13	14	15	16	17	18	19	20
LX	34662	8666	3851	2166	1386	963	707	542	428	347	286	241	205	177	154	135	120	107	96	87
FT	3.3	6.6	9.8	13.1	16.4	19.7	23	26.2	29.5	32.8	36.1	39.4	42.7	45.9	49.2	52.5	55.8	59.1	62.3	65.6
FC	3220.2	805.1	357.8	201.3	128.8	89.5	65.7	50.3	39.8	32.2	26.6	22.4	19.1	16.4	14.3	12.6	11.1	9.9	8.9	8.1

Key Measurements

Output

Total Lumen Output: 9655 lm
Peak Intensity: 73867 cd

Beam

Beam Angle (50%): 23.6°
Field Angle (10%): 26.1°
Cutoff Angle (2.5%): 27.5°

Color

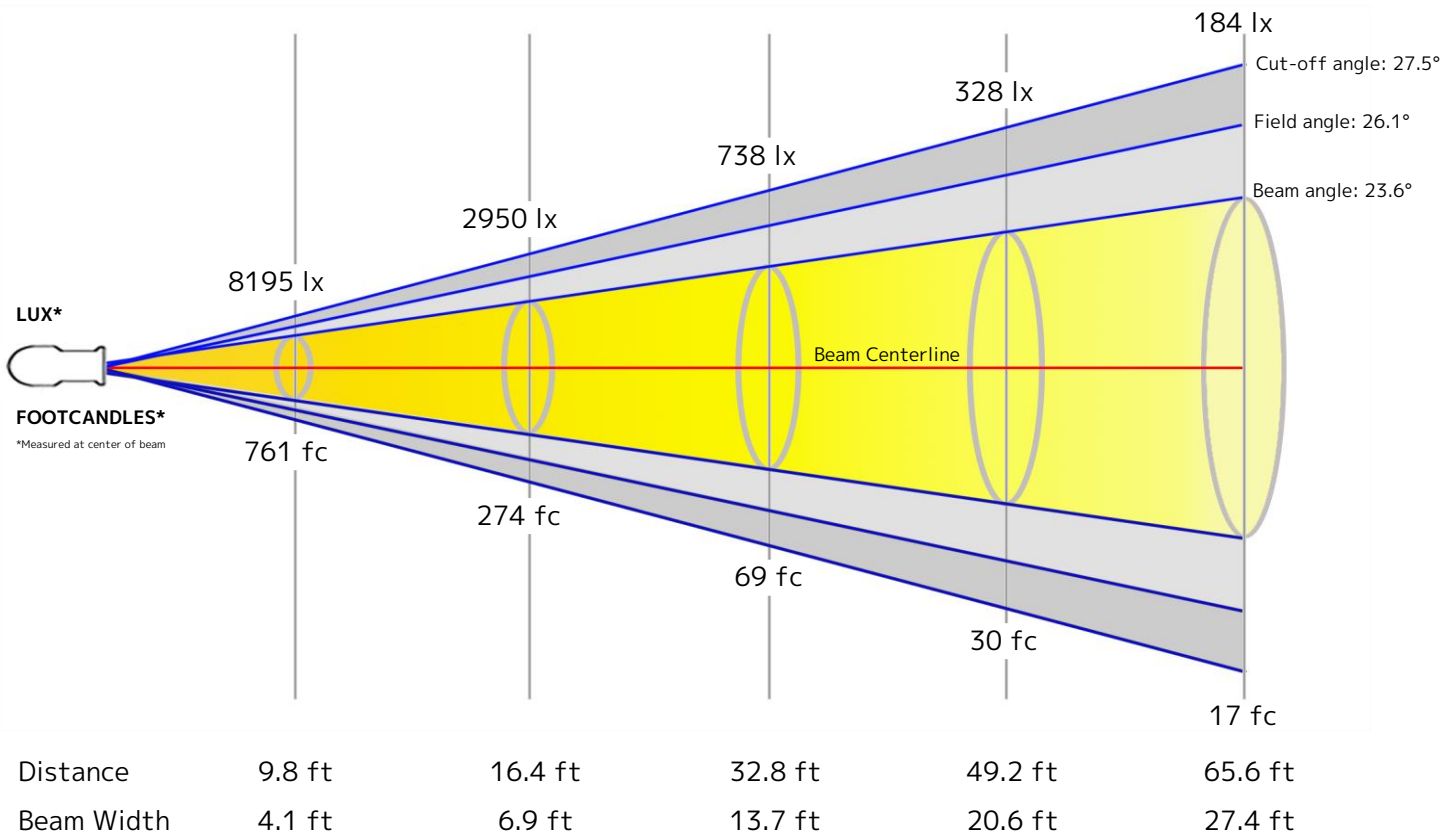
Color Temperature: 6019 K
CRI: 90.8
TLCI: 93
TM30 R_F: 89.5
TM30 R_g: 105.8

Power Details

Efficacy: 27 Lumen/Watt
Power: 363 W
Supply Voltage: 118 V
Current: 3.07 A

Beam Details

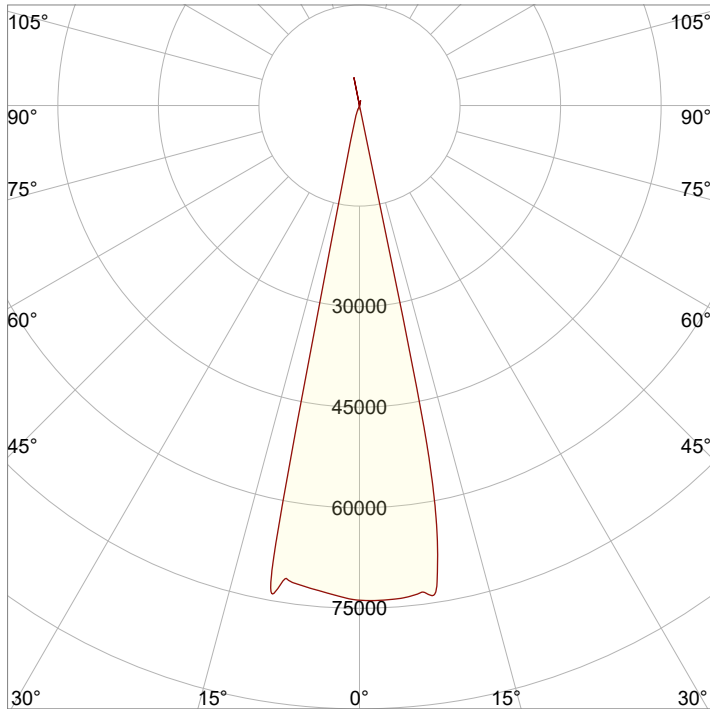
Distance	3 m	5 m	10 m	15 m	20 m
Beam Width	1.3 m	2.1 m	4.2 m	6.3 m	8.4 m



Beam Intensities from 1-20m

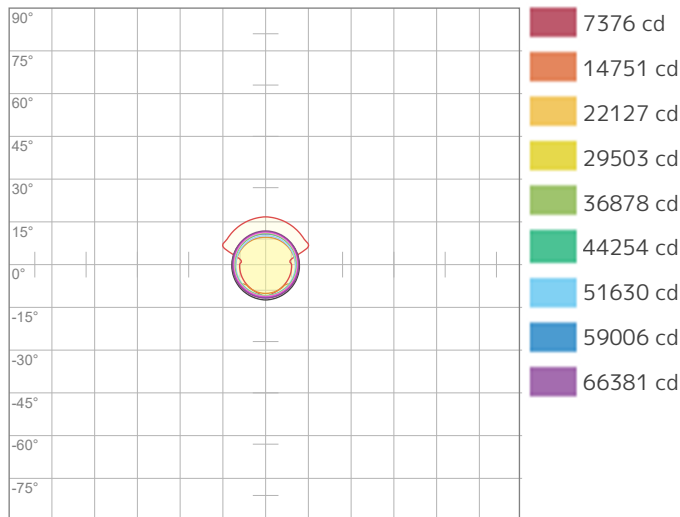
M	1	2	3	4	5	6	7	8	9	10	11	12	13	14	15	16	17	18	19	20
LX	73757	18439	8195	4610	2950	2049	1505	1152	911	738	610	512	436	376	328	288	255	228	204	184
FT	3.3	6.6	9.8	13.1	16.4	19.7	23	26.2	29.5	32.8	36.1	39.4	42.7	45.9	49.2	52.5	55.8	59.1	62.3	65.6
FC	6852.2	1713.1	761.4	428.3	274.1	190.3	139.8	107.1	84.6	68.5	56.6	47.6	40.5	35	30.5	26.8	23.7	21.1	19	17.1

Angular Distribution



Beam Angle - 50%
23.6°
Field Angle - 10%
26.1°
Cutoff Angle - 2.5%
27.5°

ISO Diagrams

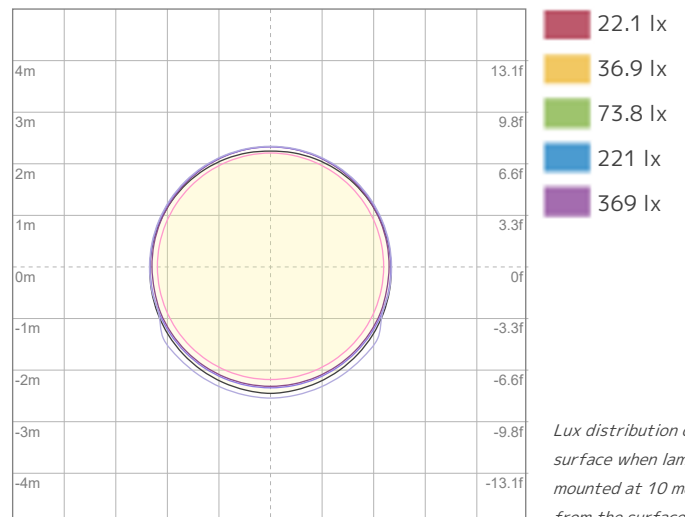


ISO Candela Diagram

Conditions:

Number of c-planes: 2

Candela at center: 73757 cd



ISO LUX Diagram

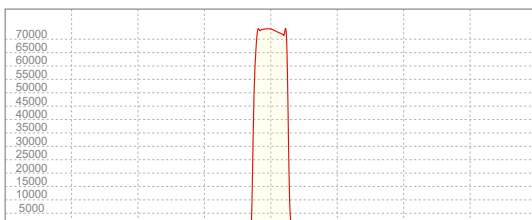
Conditions:

Number of c-planes: 2

LUX at center: 738 lx

Lux distribution on a surface when lamp is mounted at 10 meters from the surface.

Linear Distribution



Peak Candela

73867 cd

Calculate Center Beam Intensities

$$\text{lux} = 73867 / \text{distance(m)}^2$$

$$\text{fc} = 73867 / \text{distance(ft)}^2$$

Key Measurements

Output

Total Lumen Output: 5527 lm
Peak Intensity: 42413 cd

Beam

Beam Angle (50%): 23.6°
Field Angle (10%): 26.3°
Cutoff Angle (2.5%): 27.6°

Color

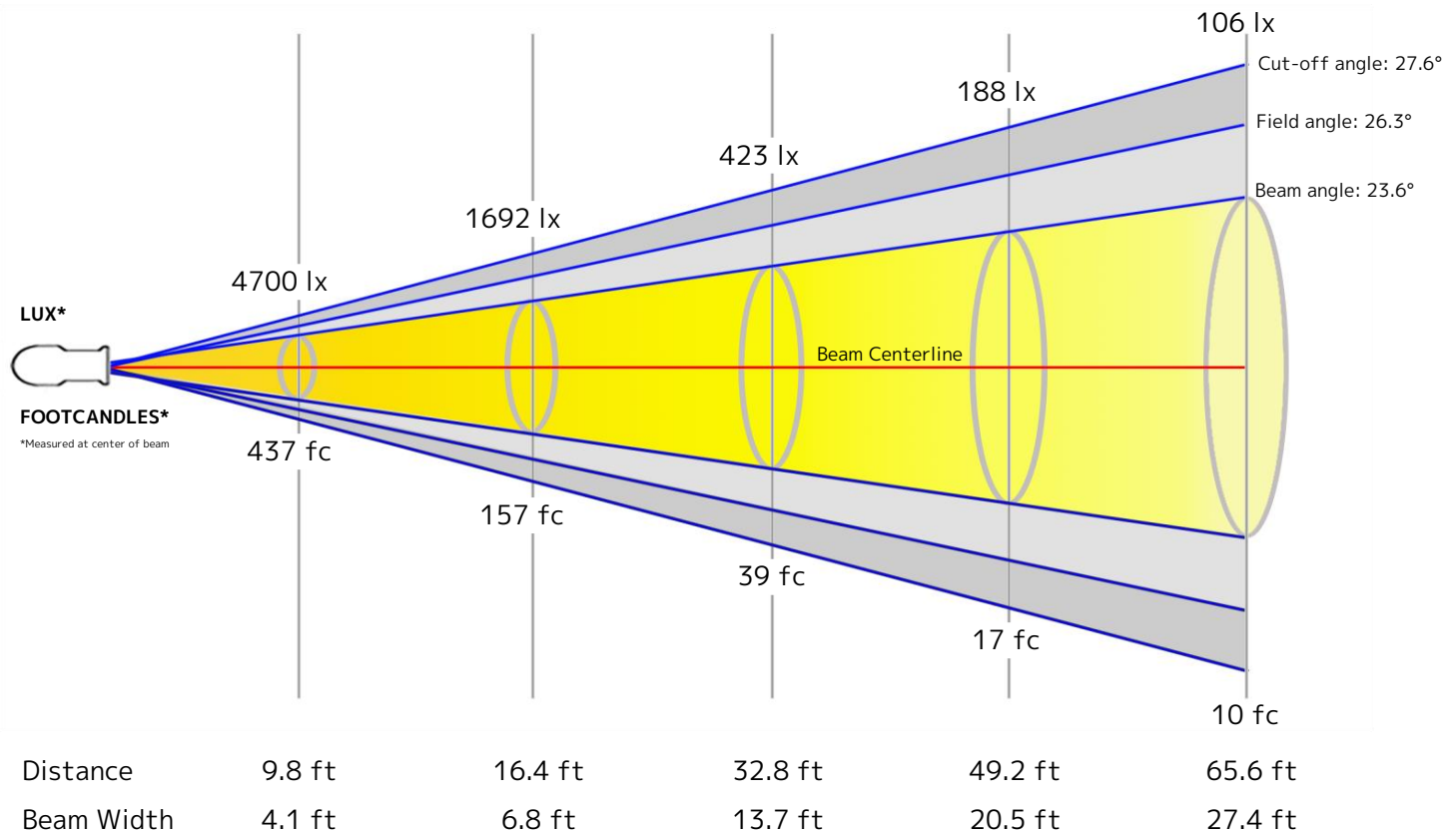
Color Temperature: 2707 K
CRI: 91.3
TLCI: 87
TM30 R_F: 93.0
TM30 R_g: 104.7

Power Details

Efficacy: 28 Lumen/Watt
Power: 199.1 W
Supply Voltage: 120 V
Current: 1.67 A

Beam Details

Distance	3 m	5 m	10 m	15 m	20 m
Beam Width	1.3 m	2.1 m	4.2 m	6.3 m	8.3 m



Beam Intensities from 1-20m

M	1	2	3	4	5	6	7	8	9	10	11	12	13	14	15	16	17	18	19	20
LX	42304	10576	4700	2644	1692	1175	863	661	522	423	350	294	250	216	188	165	146	131	117	106
FT	3.3	6.6	9.8	13.1	16.4	19.7	23	26.2	29.5	32.8	36.1	39.4	42.7	45.9	49.2	52.5	55.8	59.1	62.3	65.6
FC	3930.2	982.5	436.7	245.6	157.2	109.2	80.2	61.4	48.5	39.3	32.5	27.3	23.3	20.1	17.5	15.4	13.6	12.1	10.9	9.8

Key Measurements

Output

Total Lumen Output: 6594 lm
Peak Intensity: 50820 cd

Beam

Beam Angle (50%): 23.7°
Field Angle (10%): 25.5°
Cutoff Angle (2.5%): 25.9°

Color

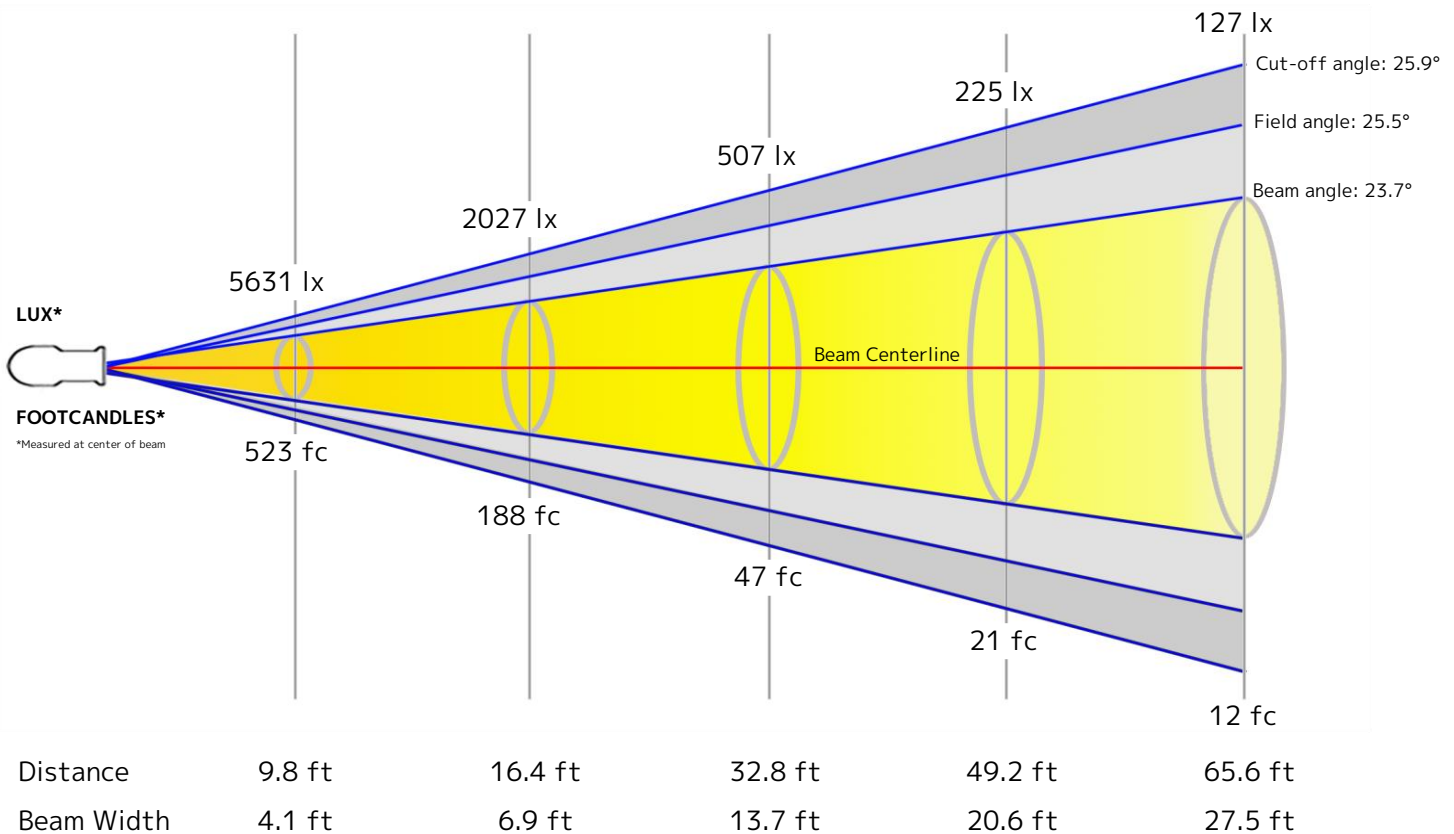
Color Temperature: 3175 K
CRI: 94.0
TLCI: 90
TM30 R_F: 93.3
TM30 R_g: 104.3

Power Details

Efficacy: 30 Lumen/Watt
Power: 222 W
Supply Voltage: 120 V
Current: 1.86 A

Beam Details

Distance	3 m	5 m	10 m	15 m	20 m
Beam Width	1.3 m	2.1 m	4.2 m	6.3 m	8.4 m



Beam Intensities from 1-20m

M	1	2	3	4	5	6	7	8	9	10	11	12	13	14	15	16	17	18	19	20
LX	50676	12669	5631	3167	2027	1408	1034	792	626	507	419	352	300	259	225	198	175	156	140	127
FT	3.3	6.6	9.8	13.1	16.4	19.7	23	26.2	29.5	32.8	36.1	39.4	42.7	45.9	49.2	52.5	55.8	59.1	62.3	65.6
FC	4707.9	1177	523.1	294.2	188.3	130.8	96.1	73.6	58.1	47.1	38.9	32.7	27.9	24	20.9	18.4	16.3	14.5	13	11.8

Key Measurements

Output

Total Lumen Output: 8514 lm
Peak Intensity: 65304 cd

Beam

Beam Angle (50%): 23.7°
Field Angle (10%): 25.7°
Cutoff Angle (2.5%): 27.3°

Color

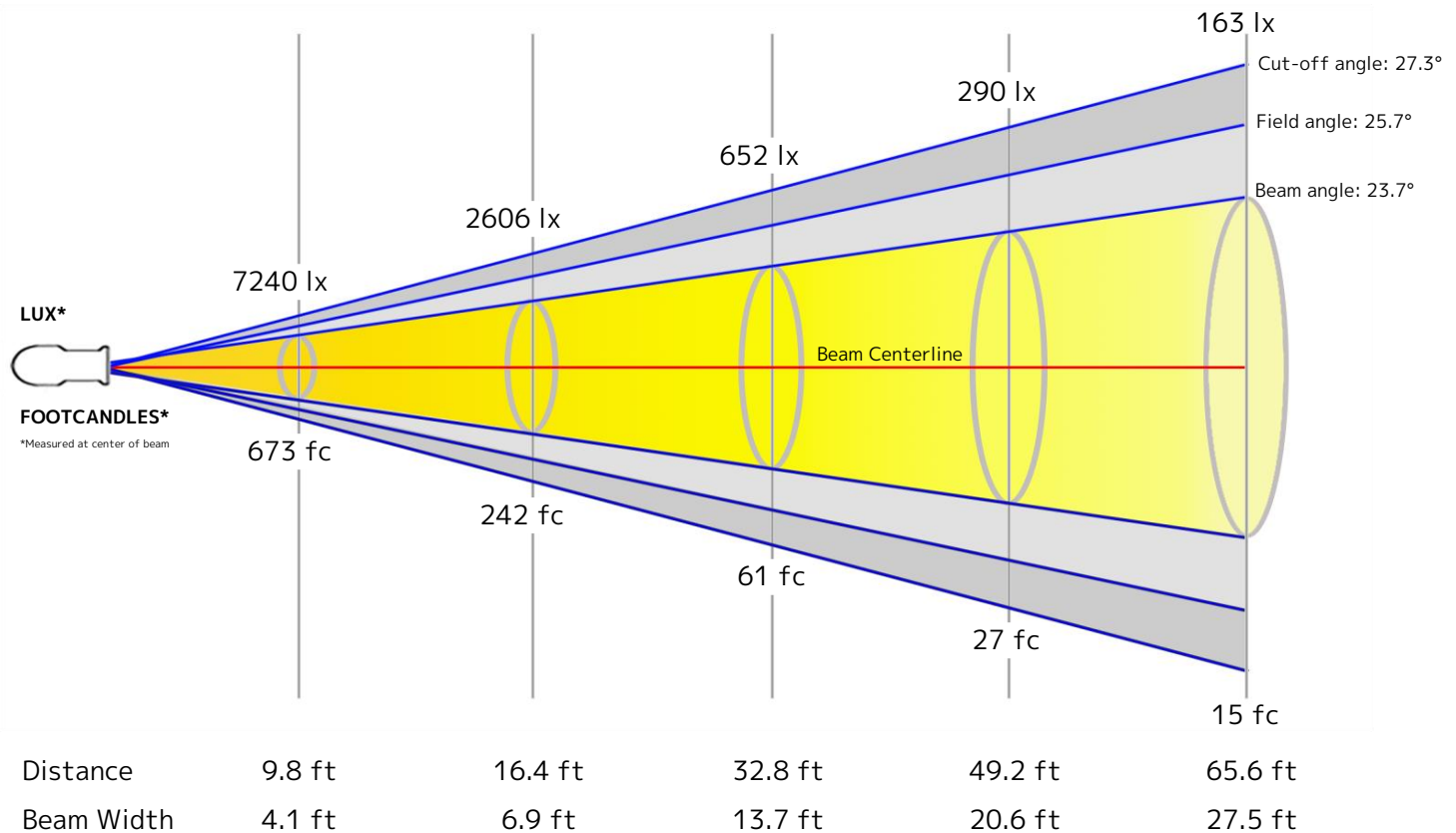
Color Temperature: 4470 K
CRI: 93.2
TLCI: 91
TM30 R_F: 90.9
TM30 R_g: 104.5

Power Details

Efficacy: 29 Lumen/Watt
Power: 289 W
Supply Voltage: 119 V
Current: 2.43 A

Beam Details

Distance	3 m	5 m	10 m	15 m	20 m
Beam Width	1.3 m	2.1 m	4.2 m	6.3 m	8.4 m



Beam Intensities from 1-20m

M	1	2	3	4	5	6	7	8	9	10	11	12	13	14	15	16	17	18	19	20
LX	65161	16290	7240	4073	2606	1810	1330	1018	804	652	539	453	386	332	290	255	225	201	181	163
FT	3.3	6.6	9.8	13.1	16.4	19.7	23	26.2	29.5	32.8	36.1	39.4	42.7	45.9	49.2	52.5	55.8	59.1	62.3	65.6
FC	6053.6	1513.4	672.6	378.4	242.1	168.2	123.5	94.6	74.7	60.5	50	42	35.8	30.9	26.9	23.6	20.9	18.7	16.8	15.1

Key Measurements

Output

Total Lumen Output: 8920 lm
Peak Intensity: 68338 cd

Beam

Beam Angle (50%): 23.7°
Field Angle (10%): 25.7°
Cutoff Angle (2.5%): 27.2°

Color

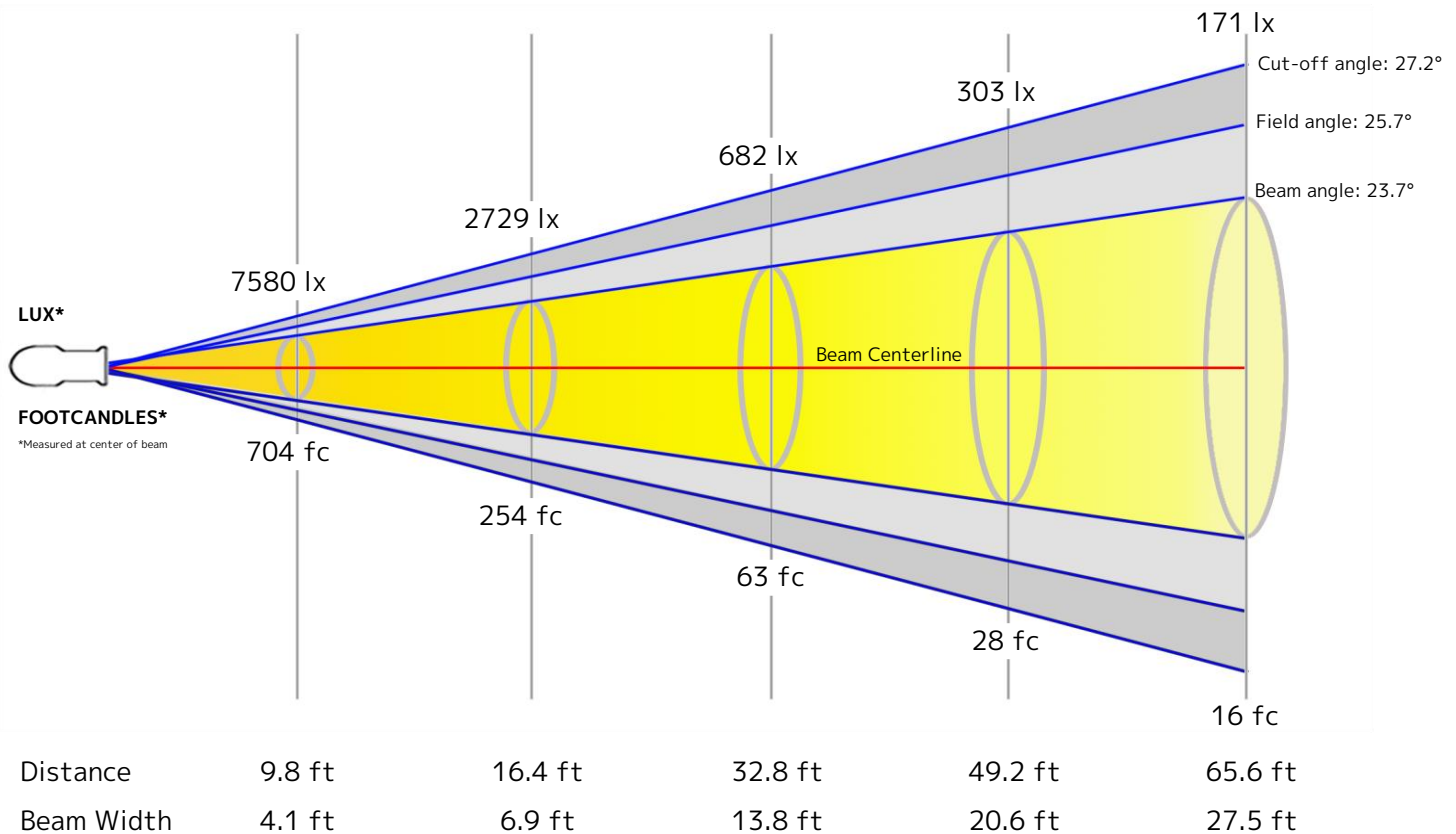
Color Temperature: 5579 K
CRI: 92.6
TLCI: 92
TM30 R_F: 89.9
TM30 R_g: 104.1

Power Details

Efficacy: 28 Lumen/Watt
Power: 315 W
Supply Voltage: 120 V
Current: 2.63 A

Beam Details

Distance	3 m	5 m	10 m	15 m	20 m
Beam Width	1.3 m	2.1 m	4.2 m	6.3 m	8.4 m



Beam Intensities from 1-20m

M	1	2	3	4	5	6	7	8	9	10	11	12	13	14	15	16	17	18	19	20
LX	68222	17055	7580	4264	2729	1895	1392	1066	842	682	564	474	404	348	303	266	236	211	189	171
FT	3.3	6.6	9.8	13.1	16.4	19.7	23	26.2	29.5	32.8	36.1	39.4	42.7	45.9	49.2	52.5	55.8	59.1	62.3	65.6
FC	6338	1584.5	704.2	396.1	253.5	176.1	129.3	99	78.2	63.4	52.4	44	37.5	32.3	28.2	24.8	21.9	19.6	17.6	15.8

Key Measurements

Output

Total Lumen Output: 8968 lm
Peak Intensity: 69154 cd

Beam

Beam Angle (50%): 23.1°
Field Angle (10%): 27.3°
Cutoff Angle (2.5%): 29.1°

Color

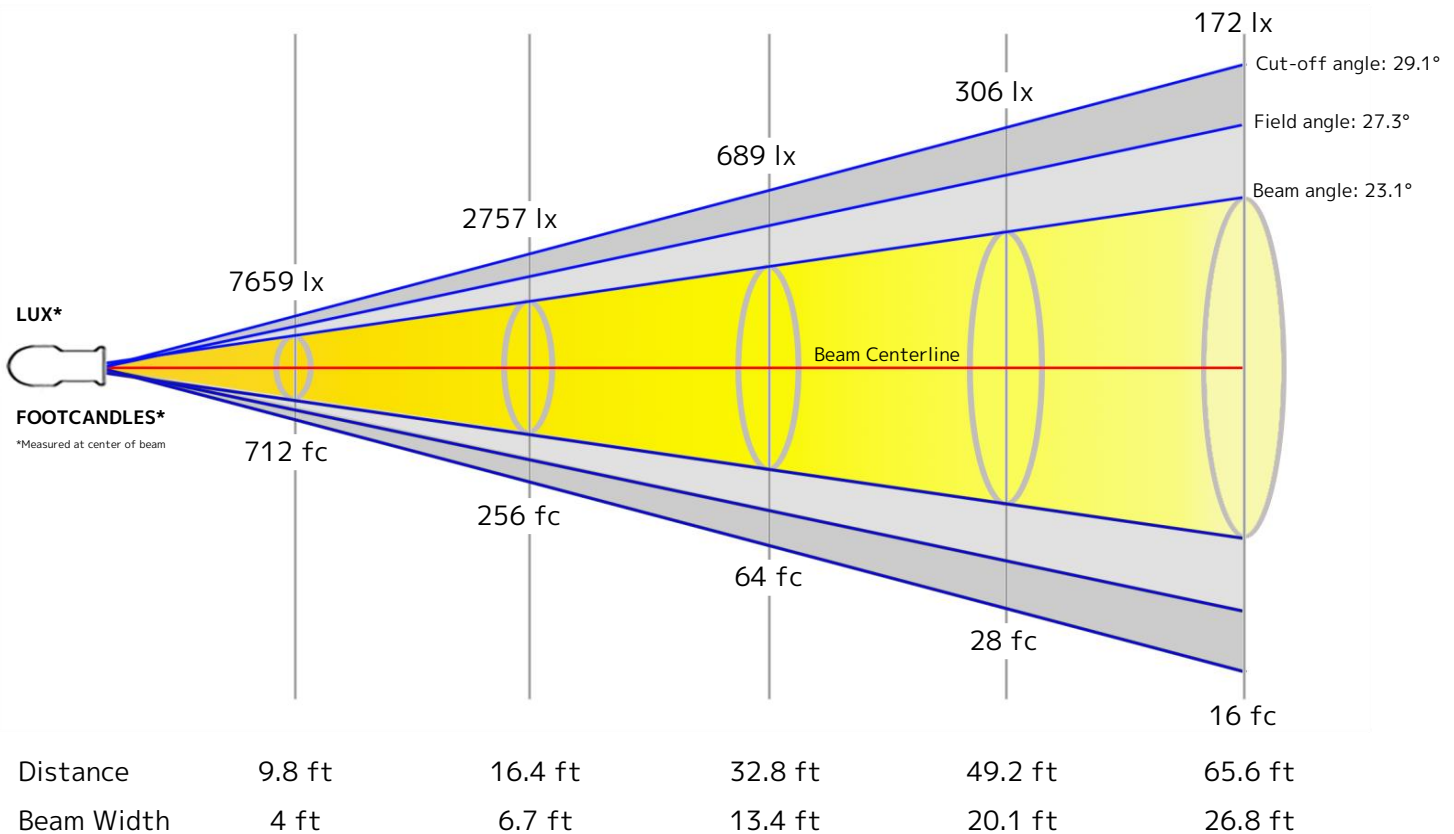
Color Temperature: 6028 K
CRI: 92.6
TLCI: 93
TM30 R_F: 89.6
TM30 R_g: 103.7

Power Details

Efficacy: 28 Lumen/Watt
Power: 320 W
Supply Voltage: 120 V
Current: 2.67 A

Beam Details

Distance	3 m	5 m	10 m	15 m	20 m
Beam Width	1.2 m	2 m	4.1 m	6.1 m	8.2 m



Beam Intensities from 1-20m

M	1	2	3	4	5	6	7	8	9	10	11	12	13	14	15	16	17	18	19	20
LX	68935	17234	7659	4308	2757	1915	1407	1077	851	689	570	479	408	352	306	269	239	213	191	172
FT	3.3	6.6	9.8	13.1	16.4	19.7	23	26.2	29.5	32.8	36.1	39.4	42.7	45.9	49.2	52.5	55.8	59.1	62.3	65.6
FC	6404.3	1601.1	711.6	400.3	256.2	177.9	130.7	100.1	79.1	64	52.9	44.5	37.9	32.7	28.5	25	22.2	19.8	17.7	16

Key Measurements

Output

Total Lumen Output: 8961 lm
Peak Intensity: 68555 cd

Beam

Beam Angle (50%): 23.4°
Field Angle (10%): 26.9°
Cutoff Angle (2.5%): 27.7°

Color

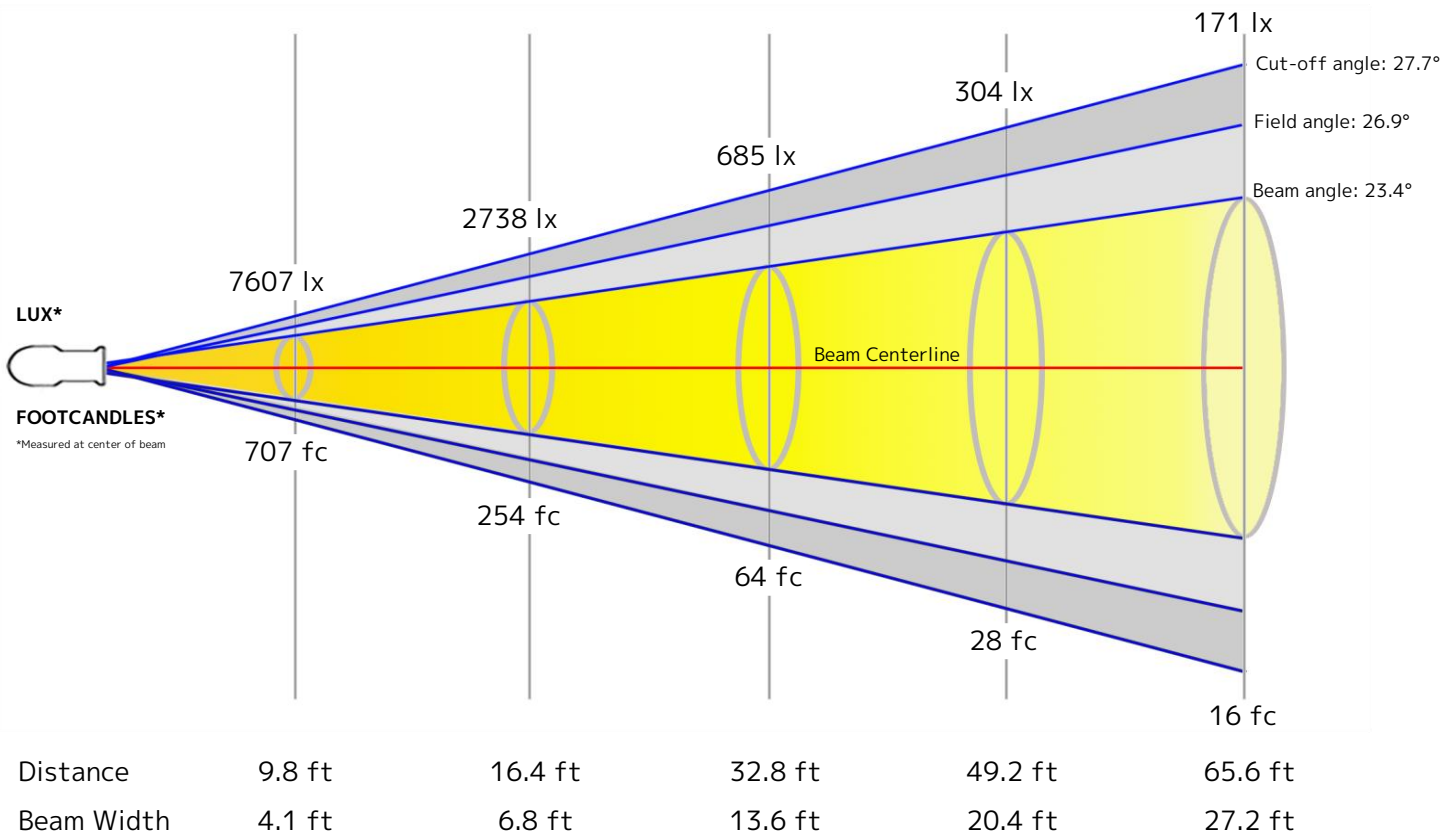
Color Temperature: 6480 K
CRI: 92.4
TLCI: 92
TM30 R_F: 88.8
TM30 R_g: 102.5

Power Details

Efficacy: 27 Lumen/Watt
Power: 328 W
Supply Voltage: 120 V
Current: 2.73 A

Beam Details

Distance	3 m	5 m	10 m	15 m	20 m
Beam Width	1.2 m	2.1 m	4.1 m	6.2 m	8.3 m



Beam Intensities from 1-20m

M	1	2	3	4	5	6	7	8	9	10	11	12	13	14	15	16	17	18	19	20
LX	68462	17115	7607	4279	2738	1902	1397	1070	845	685	566	475	405	349	304	267	237	211	190	171
FT	3.3	6.6	9.8	13.1	16.4	19.7	23	26.2	29.5	32.8	36.1	39.4	42.7	45.9	49.2	52.5	55.8	59.1	62.3	65.6
FC	6360.3	1590.1	706.7	397.5	254.4	176.7	129.8	99.4	78.5	63.6	52.6	44.2	37.6	32.5	28.3	24.8	22	19.6	17.6	15.9

Key Measurements

Output

Total Lumen Output: 9501 lm
Peak Intensity: 151029 cd

Beam

Beam Angle (50%): 16.2°
Field Angle (10%): 19.1°
Cutoff Angle (2.5%): 19.8°

Color

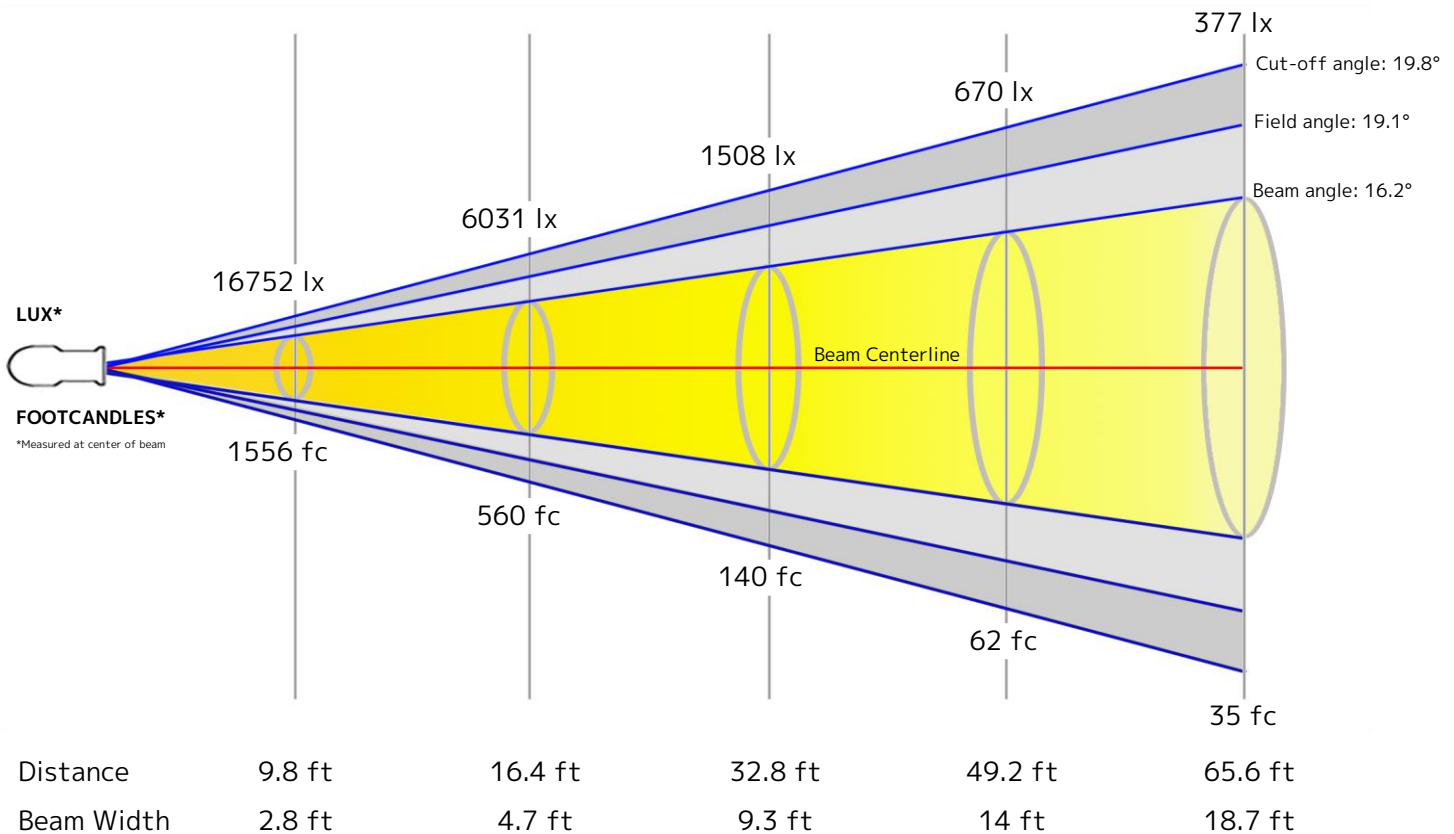
Color Temperature: 5960 K
CRI: 90.2
TLCI: 93
TM30 R_F: 89.4
TM30 R_g: 106.4

Power Details

Efficacy: 29 Lumen/Watt
Power: 323 W
Supply Voltage: 119 V
Current: 2.71 A

Beam Details

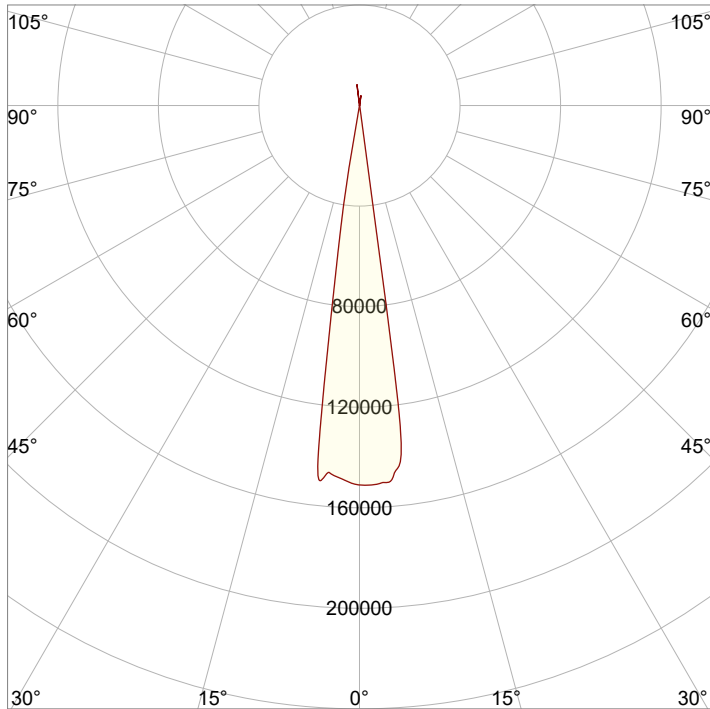
Distance	3 m	5 m	10 m	15 m	20 m
Beam Width	0.9 m	1.4 m	2.9 m	4.3 m	5.7 m



Beam Intensities from 1-20m

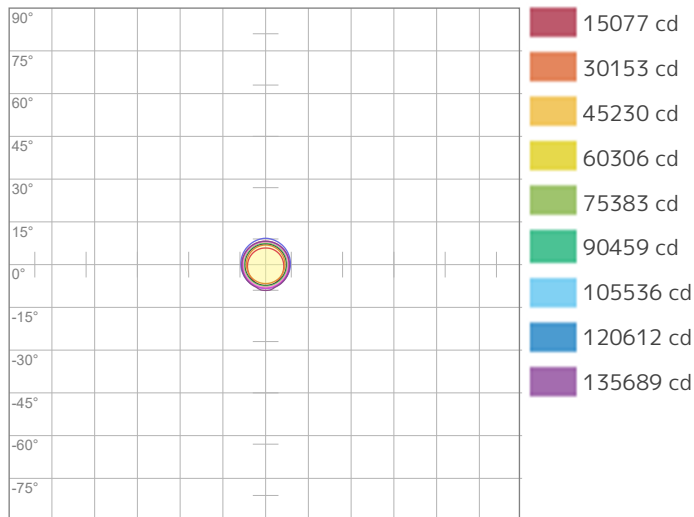
M	1	2	3	4	5	6	7	8	9	10	11	12	13	14	15	16	17	18	19	20
LX	150765	37691	16752	9423	6031	4188	3077	2356	1861	1508	1246	1047	892	769	670	589	522	465	418	377
FT	3.3	6.6	9.8	13.1	16.4	19.7	23	26.2	29.5	32.8	36.1	39.4	42.7	45.9	49.2	52.5	55.8	59.1	62.3	65.6
FC	14006.6	3501.6	1556.3	875.4	560.3	389.1	285.8	218.9	172.9	140.1	115.8	97.3	82.9	71.5	62.3	54.7	48.5	43.2	38.8	35

Angular Distribution

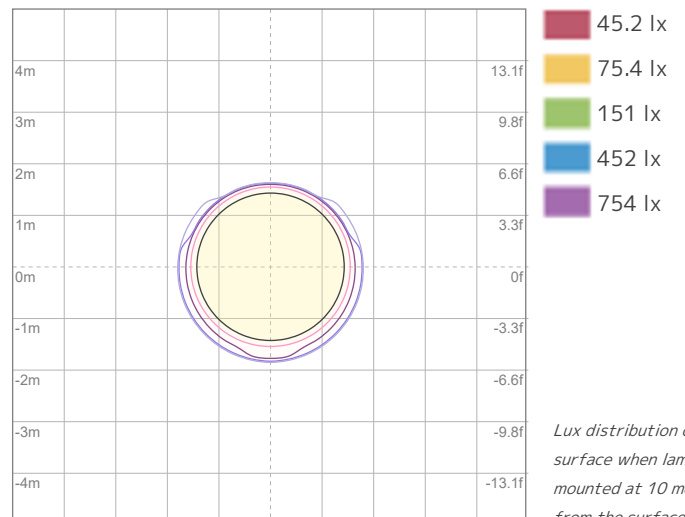


Beam Angle - 50%
16.2°
Field Angle - 10%
19.1°
Cutoff Angle - 2.5%
19.8°

ISO Diagrams



ISO Candela Diagram



ISO LUX Diagram

Lux distribution on a surface when lamp is mounted at 10 meters from the surface.

Conditions:

Number of c-planes: 2

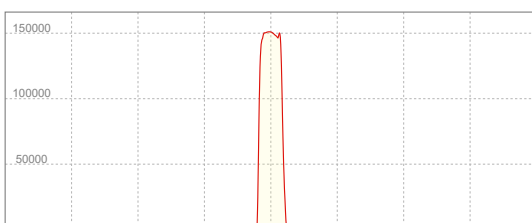
Candela at center: 150765 cd

Conditions:

Number of c-planes: 2

LUX at center: 1508 lx

Linear Distribution



Peak Candela
151029 cd

Calculate Center Beam Intensities

$$\text{lux} = 151029 / \text{distance(m)}^2$$

$$\text{fc} = 151029 / \text{distance(ft)}^2$$

Key Measurements

Output

Total Lumen Output: 4289 lm
Peak Intensity: 68113 cd

Beam

Beam Angle (50%): 16.5°
Field Angle (10%): 18.9°
Cutoff Angle (2.5%): 19.4°

Color

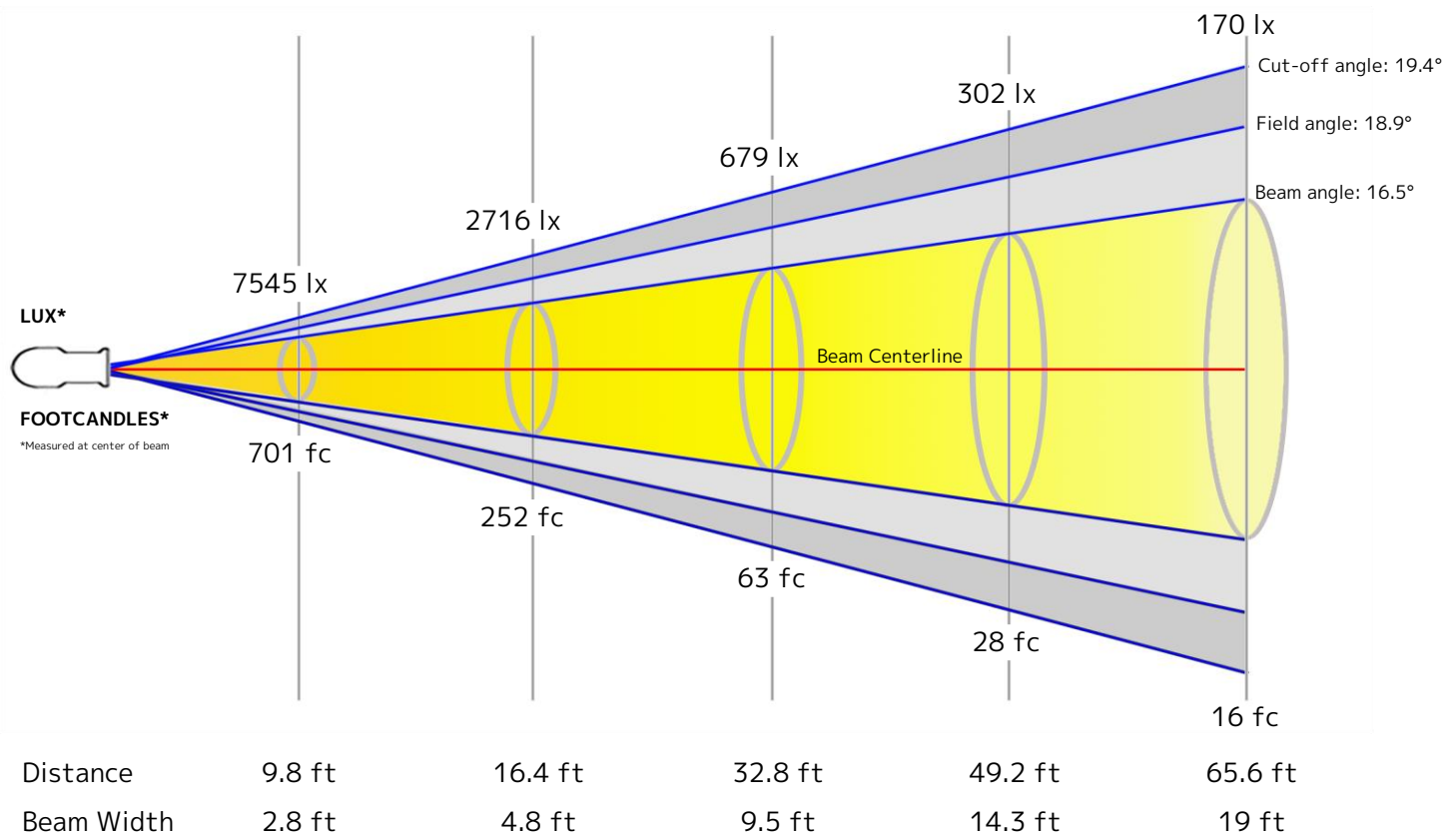
Color Temperature: 2654 K
CRI: 88.8
TLCI: 86
TM30 R_F: 91.9
TM30 R_g: 106.2

Power Details

Efficacy: 25 Lumen/Watt
Power: 170.9 W
Supply Voltage: 115 V
Current: 1.49 A

Beam Details

Distance	3 m	5 m	10 m	15 m	20 m
Beam Width	0.9 m	1.4 m	2.9 m	4.3 m	5.8 m



Beam Intensities from 1-20m

M	1	2	3	4	5	6	7	8	9	10	11	12	13	14	15	16	17	18	19	20
LX	67909	16977	7545	4244	2716	1886	1386	1061	838	679	561	472	402	346	302	265	235	210	188	170
FT	3.3	6.6	9.8	13.1	16.4	19.7	23	26.2	29.5	32.8	36.1	39.4	42.7	45.9	49.2	52.5	55.8	59.1	62.3	65.6
FC	6309	1577.2	701	394.3	252.4	175.2	128.8	98.6	77.9	63.1	52.1	43.8	37.3	32.2	28	24.6	21.8	19.5	17.5	15.8

Key Measurements

Output

Total Lumen Output: 5354 lm
Peak Intensity: 84907 cd

Beam

Beam Angle (50%): 16.4°
Field Angle (10%): 19.2°
Cutoff Angle (2.5%): 20.5°

Color

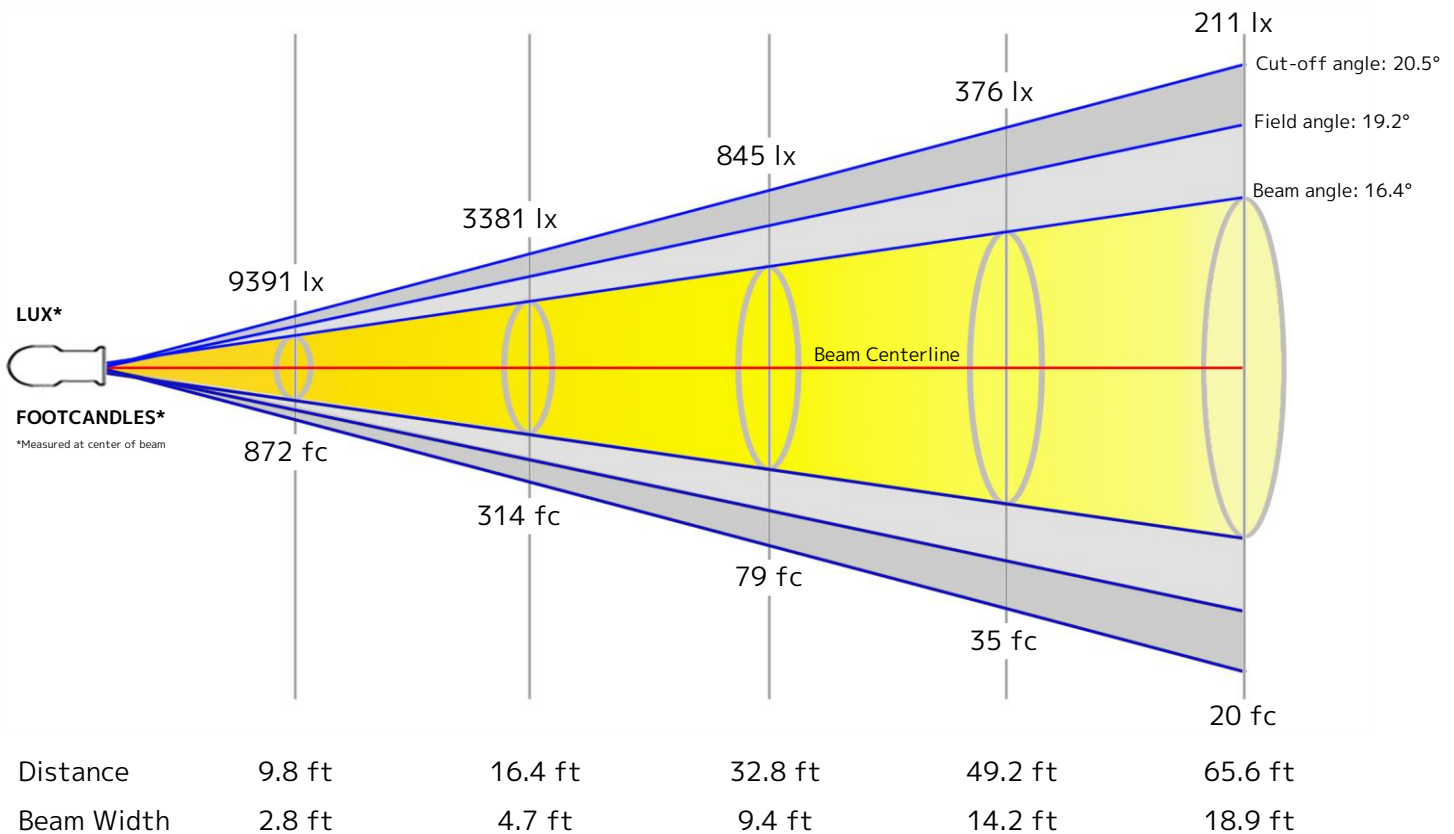
Color Temperature: 3208 K
CRI: 91.2
TLCI: 90
TM30 R_F: 92.7
TM30 R_g: 106.4

Power Details

Efficacy: 32 Lumen/Watt
Power: 166.3 W
Supply Voltage: 115 V
Current: 1.45 A

Beam Details

Distance	3 m	5 m	10 m	15 m	20 m
Beam Width	0.9 m	1.4 m	2.9 m	4.3 m	5.8 m



Beam Intensities from 1-20m

M	1	2	3	4	5	6	7	8	9	10	11	12	13	14	15	16	17	18	19	20
LX	84517	21129	9391	5282	3381	2348	1725	1321	1043	845	698	587	500	431	376	330	292	261	234	211
FT	3.3	6.6	9.8	13.1	16.4	19.7	23	26.2	29.5	32.8	36.1	39.4	42.7	45.9	49.2	52.5	55.8	59.1	62.3	65.6
FC	7851.9	1963	872.4	490.7	314.1	218.1	160.2	122.7	96.9	78.5	64.9	54.5	46.5	40.1	34.9	30.7	27.2	24.2	21.8	19.6

Key Measurements

Output

Total Lumen Output: 7645 lm
Peak Intensity: 119441 cd

Beam

Beam Angle (50%): 16.8°
Field Angle (10%): 19.4°
Cutoff Angle (2.5%): 19.8°

Color

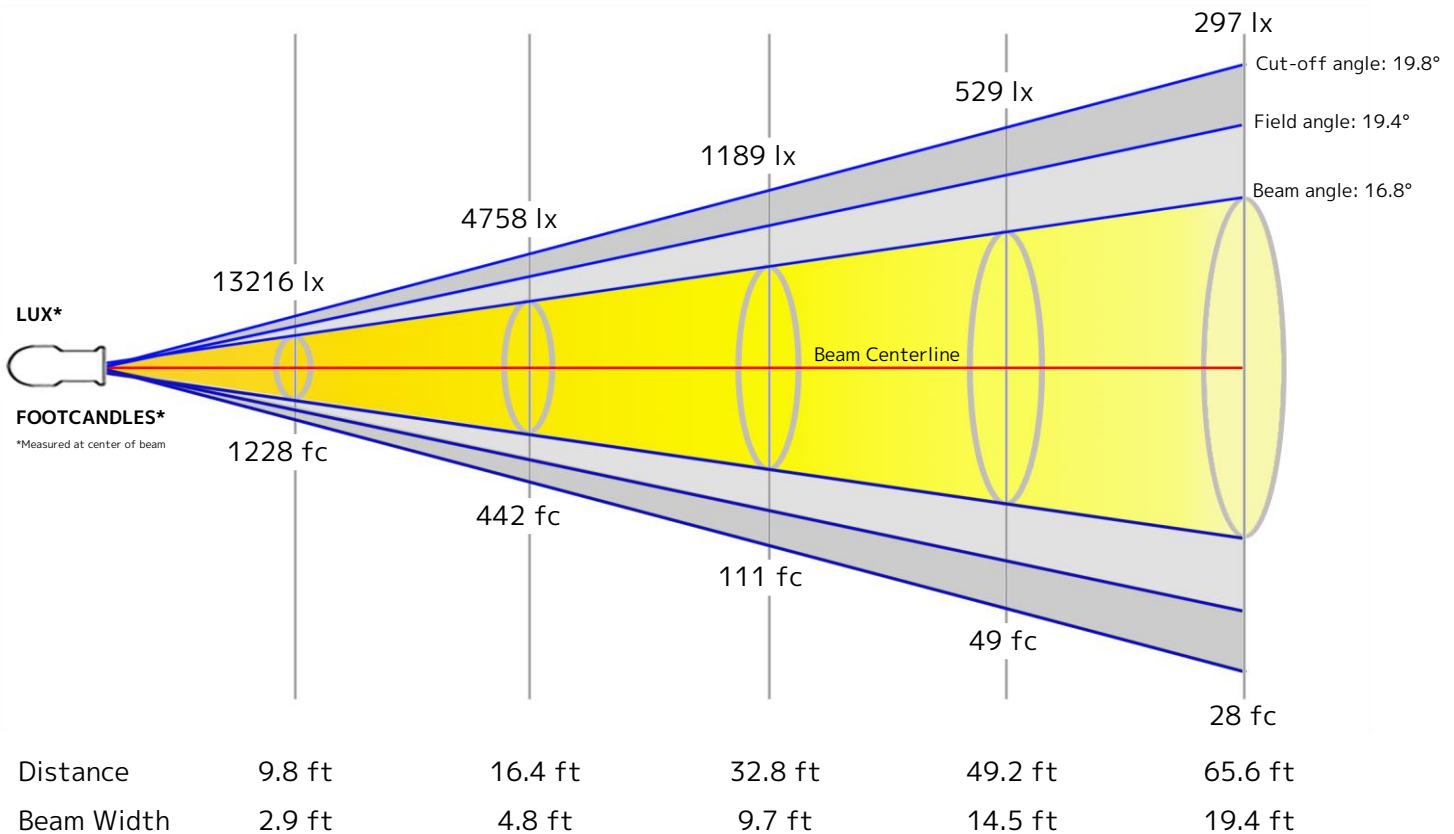
Color Temperature: 4576 K
CRI: 92.1
TLCI: 92
TM30 R_F: 91.3
TM30 R_g: 105.7

Power Details

Efficacy: 35 Lumen/Watt
Power: 219.6 W
Supply Voltage: 114 V
Current: 1.93 A

Beam Details

Distance	3 m	5 m	10 m	15 m	20 m
Beam Width	0.9 m	1.5 m	3 m	4.4 m	5.9 m



Beam Intensities from 1-20m

M	1	2	3	4	5	6	7	8	9	10	11	12	13	14	15	16	17	18	19	20
LX	118946	29736	13216	7434	4758	3304	2427	1859	1468	1189	983	826	704	607	529	465	412	367	329	297
FT	3.3	6.6	9.8	13.1	16.4	19.7	23	26.2	29.5	32.8	36.1	39.4	42.7	45.9	49.2	52.5	55.8	59.1	62.3	65.6
FC	11050.4	2762.6	1227.8	690.7	442	307	225.5	172.7	136.4	110.5	91.3	76.7	65.4	56.4	49.1	43.2	38.2	34.1	30.6	27.6

Key Measurements

Output

Total Lumen Output: 9349 lm
Peak Intensity: 146488 cd

Beam

Beam Angle (50%): 16.5°
Field Angle (10%): 19.4°
Cutoff Angle (2.5%): 19.9°

Color

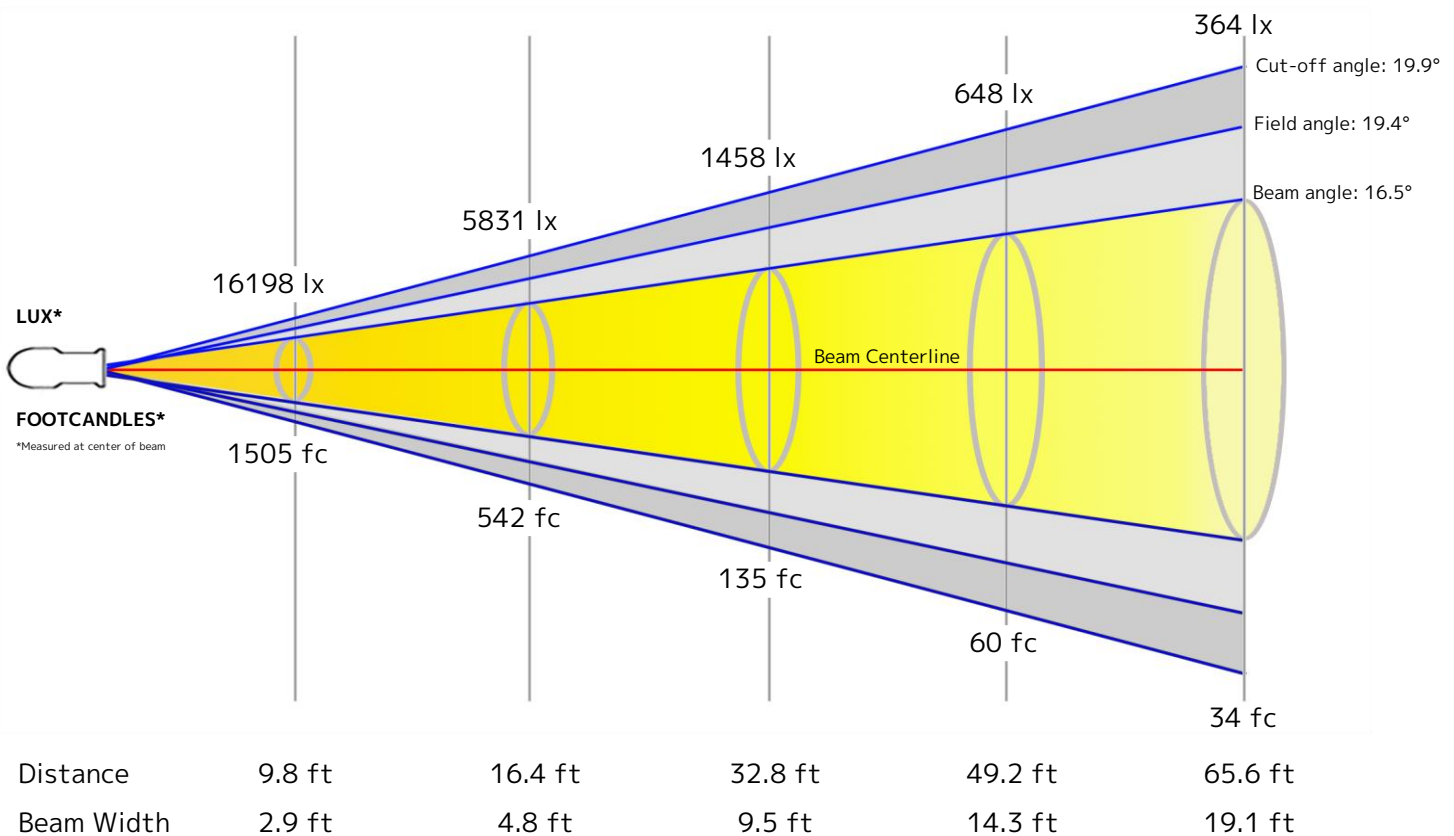
Color Temperature: 5648 K
CRI: 92.4
TLCI: 93
TM30 R_F: 90.4
TM30 R_g: 104.3

Power Details

Efficacy: 28 Lumen/Watt
Power: 336.5 W
Supply Voltage: 112 V
Current: 3.02 A

Beam Details

Distance	3 m	5 m	10 m	15 m	20 m
Beam Width	0.9 m	1.5 m	2.9 m	4.4 m	5.8 m



Beam Intensities from 1-20m

M	1	2	3	4	5	6	7	8	9	10	11	12	13	14	15	16	17	18	19	20
LX	145783	36446	16198	9111	5831	4050	2975	2278	1800	1458	1205	1012	863	744	648	569	504	450	404	364
FT	3.3	6.6	9.8	13.1	16.4	19.7	23	26.2	29.5	32.8	36.1	39.4	42.7	45.9	49.2	52.5	55.8	59.1	62.3	65.6
FC	13543.7	3385.9	1504.9	846.5	541.7	376.2	276.4	211.6	167.2	135.4	111.9	94.1	80.1	69.1	60.2	52.9	46.9	41.8	37.5	33.9

Key Measurements

Output

Total Lumen Output: 9550 lm
Peak Intensity: 149817 cd

Beam

Beam Angle (50%): 16.6°
Field Angle (10%): 19.3°
Cutoff Angle (2.5%): 19.9°

Color

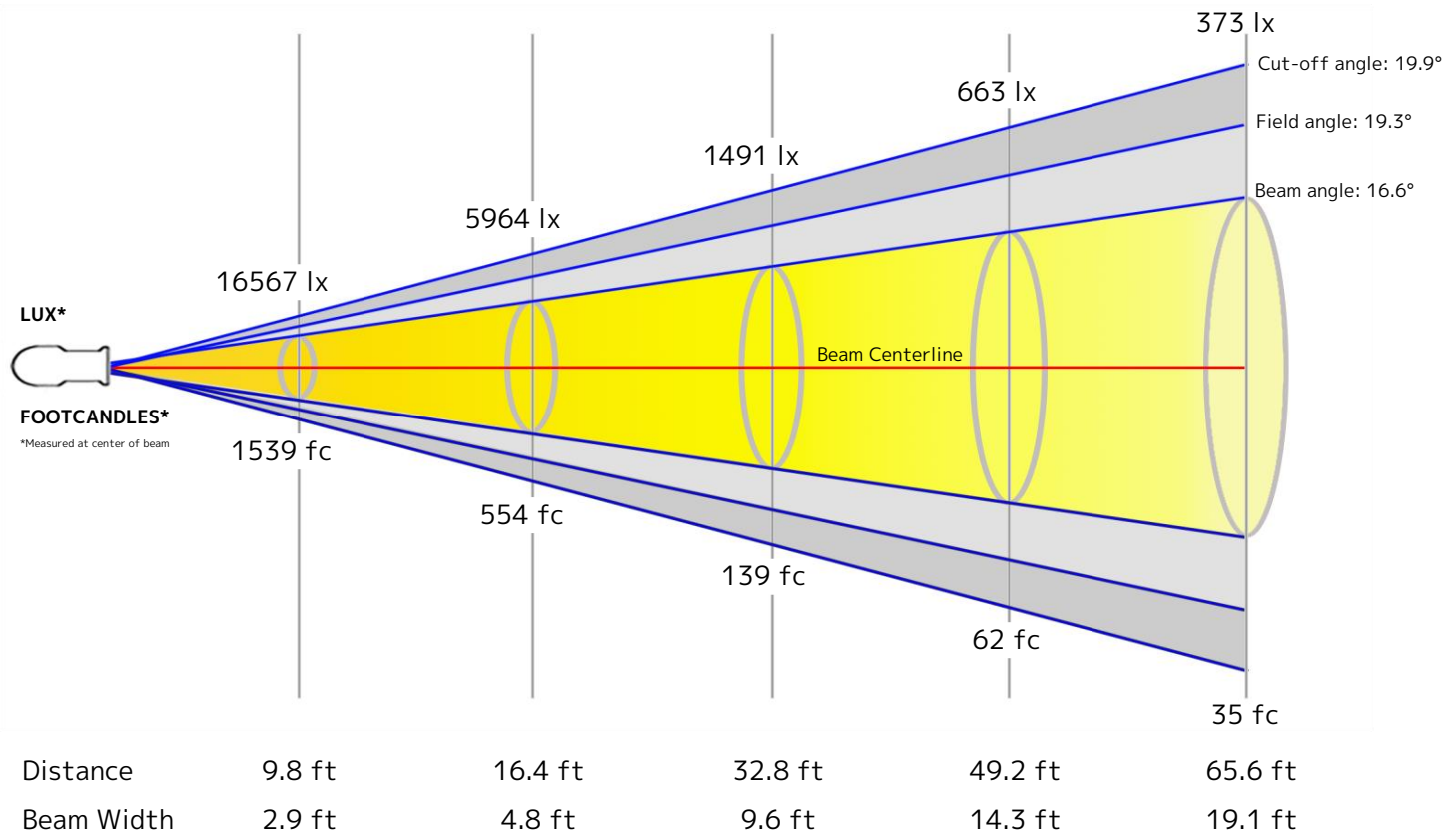
Color Temperature: 6033 K
CRI: 92.3
TLCI: 93
TM30 R_F: 90.0
TM30 R_g: 103.9

Power Details

Efficacy: n/a Lumen/Watt
Power: - W
Supply Voltage: 117 V
Current: 0.000 A

Beam Details

Distance	3 m	5 m	10 m	15 m	20 m
Beam Width	0.9 m	1.5 m	2.9 m	4.4 m	5.8 m



Beam Intensities from 1-20m

M	1	2	3	4	5	6	7	8	9	10	11	12	13	14	15	16	17	18	19	20
LX	149107	37277	16567	9319	5964	4142	3043	2330	1841	1491	1232	1035	882	761	663	582	516	460	413	373
FT	3.3	6.6	9.8	13.1	16.4	19.7	23	26.2	29.5	32.8	36.1	39.4	42.7	45.9	49.2	52.5	55.8	59.1	62.3	65.6
FC	13852.5	3463.1	1539.2	865.8	554.1	384.8	282.7	216.4	171	138.5	114.5	96.2	82	70.7	61.6	54.1	47.9	42.8	38.4	34.6

Key Measurements

Output

Total Lumen Output: 8793 lm
Peak Intensity: 139034 cd

Beam

Beam Angle (50%): 16.4°
Field Angle (10%): 19°
Cutoff Angle (2.5%): 20.5°

Color

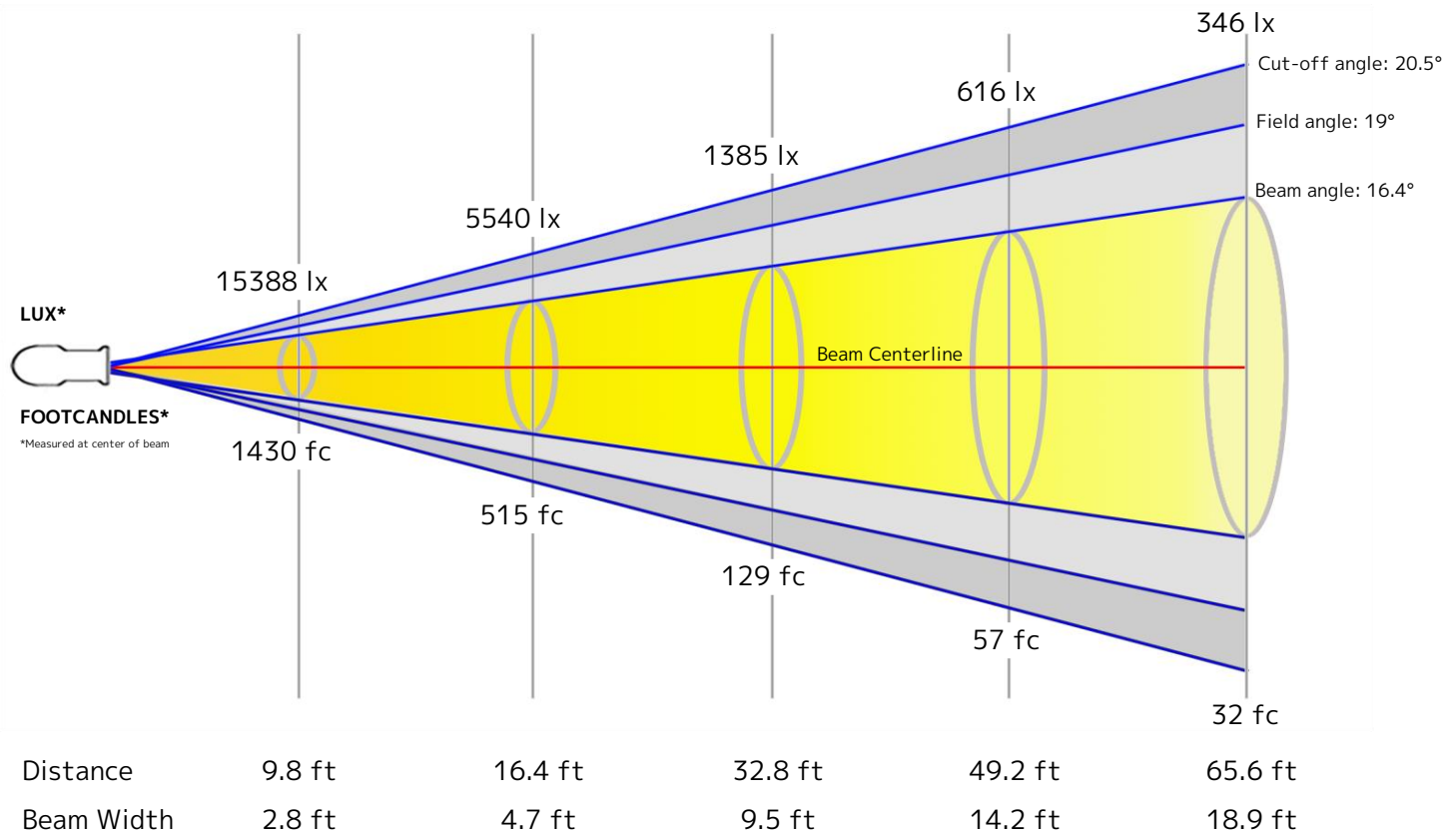
Color Temperature: 6438 K
CRI: 91.7
TLCI: 93
TM30 R_F: 89.2
TM30 R_G: 103.2

Power Details

Efficacy: n/a Lumen/Watt
Power: - W
Supply Voltage: 117 V
Current: 0.000 A

Beam Details

Distance	3 m	5 m	10 m	15 m	20 m
Beam Width	0.9 m	1.4 m	2.9 m	4.3 m	5.8 m



Beam Intensities from 1-20m

M	1	2	3	4	5	6	7	8	9	10	11	12	13	14	15	16	17	18	19	20
LX	138492	34623	15388	8656	5540	3847	2826	2164	1710	1385	1145	962	819	707	616	541	479	427	384	346
FT	3.3	6.6	9.8	13.1	16.4	19.7	23	26.2	29.5	32.8	36.1	39.4	42.7	45.9	49.2	52.5	55.8	59.1	62.3	65.6
FC	12866.3	3216.6	1429.6	804.1	514.7	357.4	262.6	201	158.8	128.7	106.3	89.3	76.1	65.6	57.2	50.3	44.5	39.7	35.6	32.2

Key Measurements

Output

Total Lumen Output: 9032 lm
Peak Intensity: 277705 cd

Beam

Beam Angle (50%): 11.8°
Field Angle (10%): 14.2°
Cutoff Angle (2.5%): 14.8°

Color

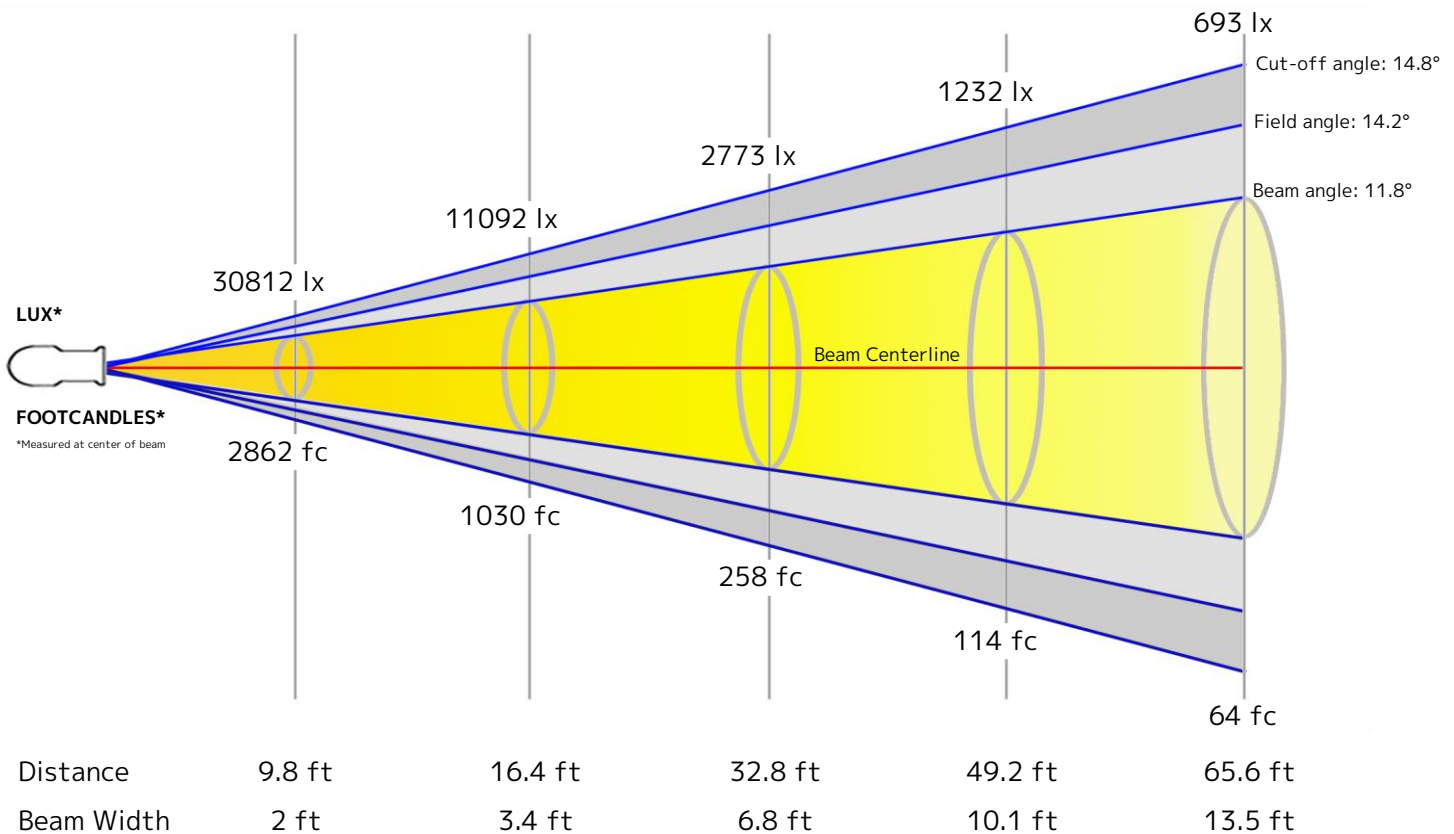
Color Temperature: 6009 K
CRI: 90.4
TLCI: 93
TM30 R_F: 89.4
TM30 R_g: 106.1

Power Details

Efficacy: 25 Lumen/Watt
Power: 363 W
Supply Voltage: 120 V
Current: 3.03 A

Beam Details

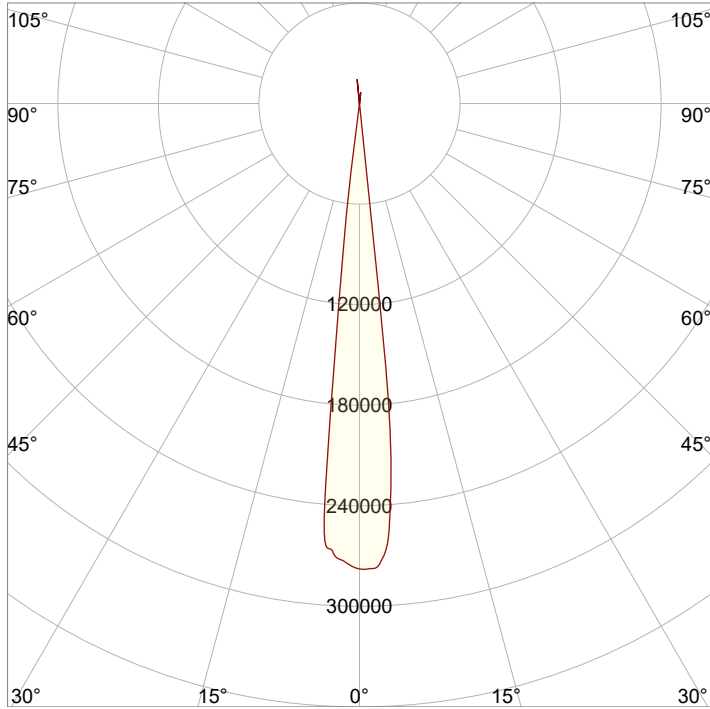
Distance	3 m	5 m	10 m	15 m	20 m
Beam Width	0.6 m	1 m	2.1 m	3.1 m	4.1 m



Beam Intensities from 1-20m

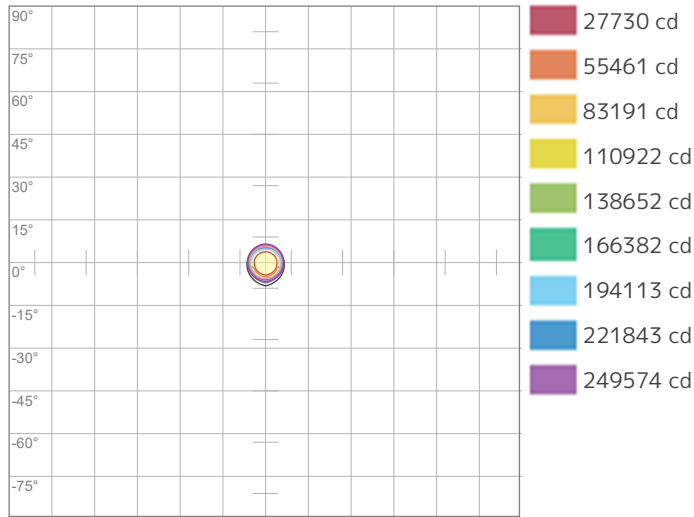
M	1	2	3	4	5	6	7	8	9	10	11	12	13	14	15	16	17	18	19	20
LX	277304	69326	30812	17332	11092	7703	5659	4333	3424	2773	2292	1926	1641	1415	1232	1083	960	856	768	693
FT	3.3	6.6	9.8	13.1	16.4	19.7	23	26.2	29.5	32.8	36.1	39.4	42.7	45.9	49.2	52.5	55.8	59.1	62.3	65.6
FC	25762.4	6440.6	2862.5	1610.1	1030.5	715.6	525.8	402.5	318.1	257.6	212.9	178.9	152.4	131.4	114.5	100.6	89.1	79.5	71.4	64.4

Angular Distribution



Beam Angle - 50%
11.8°
Field Angle - 10%
14.2°
Cutoff Angle - 2.5%
14.8°

ISO Diagrams

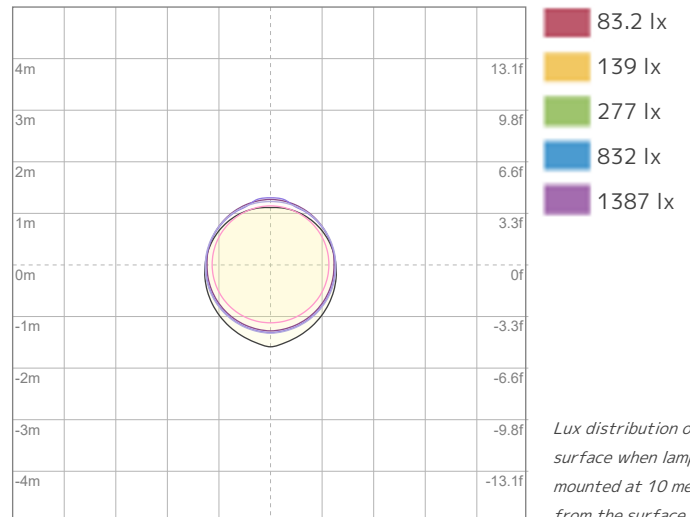


ISO Candela Diagram

Conditions:

Number of c-planes: 2

Candela at center: 277304 cd



ISO LUX Diagram

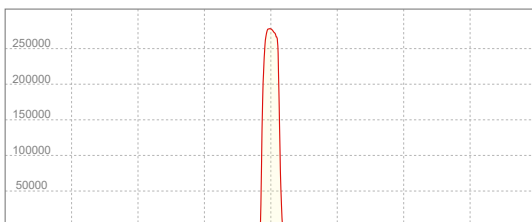
Conditions:

Number of c-planes: 2

LUX at center: 2773 lx

Lux distribution on a surface when lamp is mounted at 10 meters from the surface.

Linear Distribution



Peak Candela
277705 cd

Calculate Center Beam Intensities

$$\text{lux} = 277705 / \text{distance(m)}^2$$

$$\text{fc} = 277705 / \text{distance(ft)}^2$$

Key Measurements

Output

Total Lumen Output: 5110 lm
Peak Intensity: 157371 cd

Beam

Beam Angle (50%): 11.7°
Field Angle (10%): 14.3°
Cutoff Angle (2.5%): 14.8°

Color

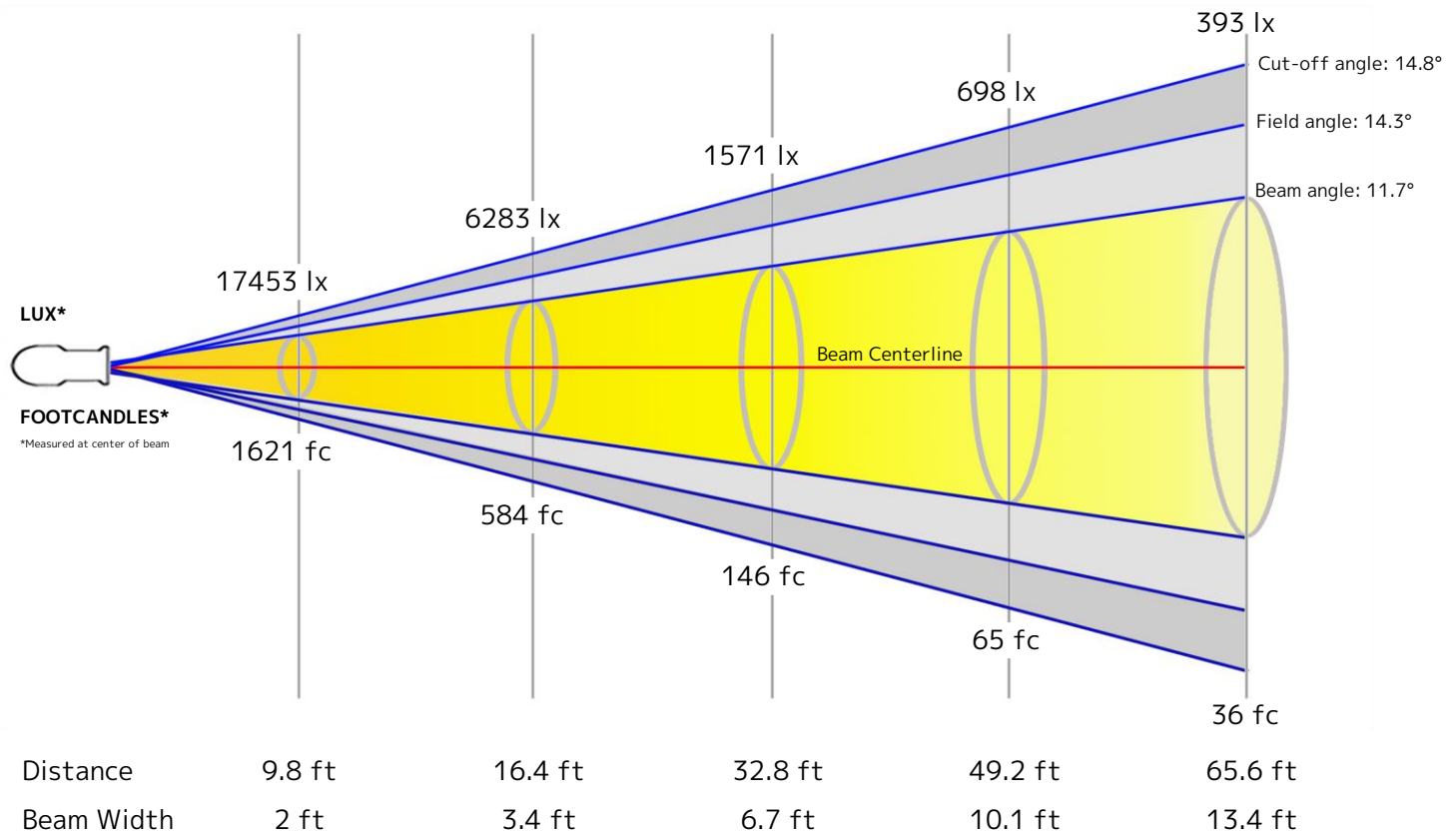
Color Temperature: 2721 K
CRI: 91.3
TLCI: 87
TM30 R_F: 93.1
TM30 R_g: 104.8

Power Details

Efficacy: 26 Lumen/Watt
Power: 200 W
Supply Voltage: 119 V
Current: 1.67 A

Beam Details

Distance	3 m	5 m	10 m	15 m	20 m
Beam Width	0.6 m	1 m	2 m	3.1 m	4.1 m



Beam Intensities from 1-20m

M	1	2	3	4	5	6	7	8	9	10	11	12	13	14	15	16	17	18	19	20
LX	157078	39270	17453	9817	6283	4363	3206	2454	1939	1571	1298	1091	929	801	698	614	544	485	435	393
FT	3.3	6.6	9.8	13.1	16.4	19.7	23	26.2	29.5	32.8	36.1	39.4	42.7	45.9	49.2	52.5	55.8	59.1	62.3	65.6
FC	14593.1	3648.3	1621.5	912.1	583.7	405.4	297.8	228	180.2	145.9	120.6	101.3	86.3	74.5	64.9	57	50.5	45	40.4	36.5

Key Measurements

Output

Total Lumen Output: 6053 lm
Peak Intensity: 188976 cd

Beam

Beam Angle (50%): 11.7°
Field Angle (10%): 13.4°
Cutoff Angle (2.5%): 14.7°

Color

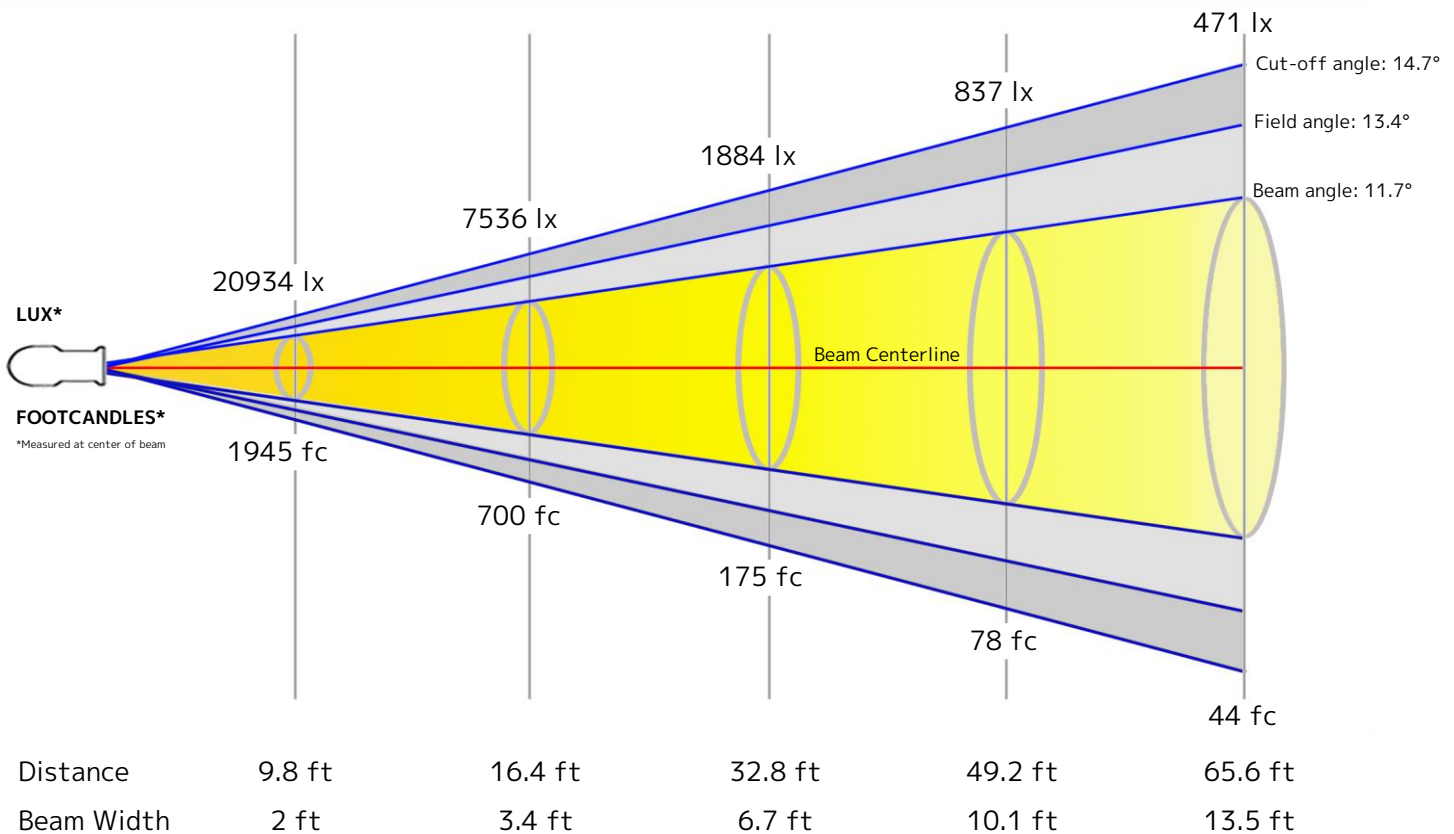
Color Temperature: 3171 K
CRI: 93.6
TLCI: 90
TM30 R_F: 93.3
TM30 R_g: 104.5

Power Details

Efficacy: 27 Lumen/Watt
Power: 222 W
Supply Voltage: 119 V
Current: 1.86 A

Beam Details

Distance	3 m	5 m	10 m	15 m	20 m
Beam Width	0.6 m	1 m	2.1 m	3.1 m	4.1 m



Beam Intensities from 1-20m

M	1	2	3	4	5	6	7	8	9	10	11	12	13	14	15	16	17	18	19	20
LX	188407	47102	20934	11775	7536	5234	3845	2944	2326	1884	1557	1308	1115	961	837	736	652	582	522	471
FT	3.3	6.6	9.8	13.1	16.4	19.7	23	26.2	29.5	32.8	36.1	39.4	42.7	45.9	49.2	52.5	55.8	59.1	62.3	65.6
FC	17503.6	4375.9	1944.8	1094	700.1	486.2	357.2	273.5	216.1	175	144.7	121.6	103.6	89.3	77.8	68.4	60.6	54	48.5	43.8

Key Measurements

Output

Total Lumen Output: 7797 lm
Peak Intensity: 242138 cd

Beam

Beam Angle (50%): 11.8°
Field Angle (10%): 13.9°
Cutoff Angle (2.5%): 14.7°

Color

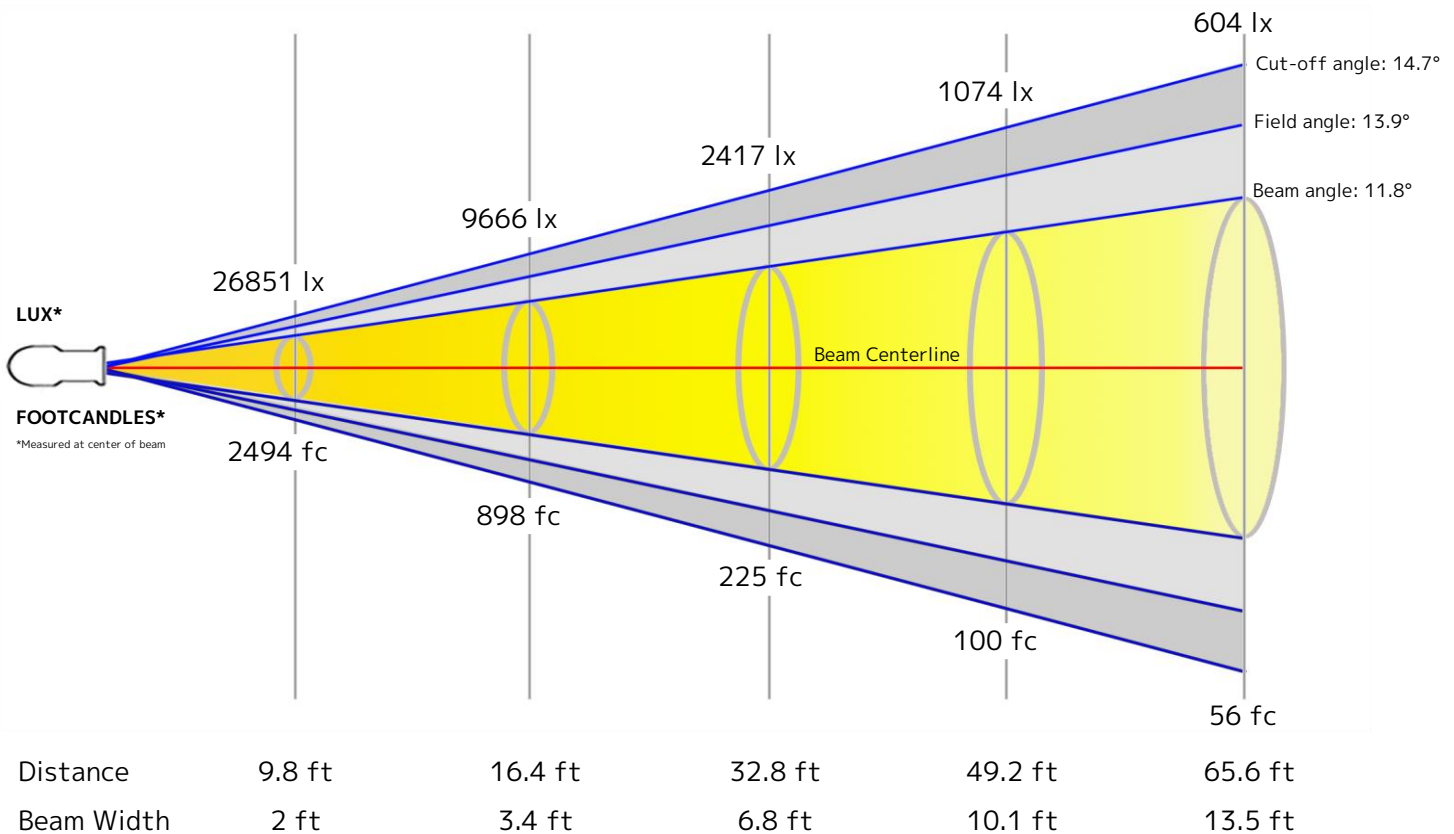
Color Temperature: 4473 K
CRI: 93.3
TLCI: 91
TM30 R_F: 90.8
TM30 R_g: 104.5

Power Details

Efficacy: 27 Lumen/Watt
Power: 289 W
Supply Voltage: 119 V
Current: 2.43 A

Beam Details

Distance	3 m	5 m	10 m	15 m	20 m
Beam Width	0.6 m	1 m	2.1 m	3.1 m	4.1 m



Beam Intensities from 1-20m

M	1	2	3	4	5	6	7	8	9	10	11	12	13	14	15	16	17	18	19	20
LX	241655	60414	26851	15103	9666	6713	4932	3776	2983	2417	1997	1678	1430	1233	1074	944	836	746	669	604
FT	3.3	6.6	9.8	13.1	16.4	19.7	23	26.2	29.5	32.8	36.1	39.4	42.7	45.9	49.2	52.5	55.8	59.1	62.3	65.6
FC	22450.5	5612.6	2494.5	1403.2	898	623.6	458.2	350.8	277.2	224.5	185.5	155.9	132.8	114.5	99.8	87.7	77.7	69.3	62.2	56.1

Key Measurements

Output

Total Lumen Output: 8180 lm
Peak Intensity: 254516 cd

Beam

Beam Angle (50%): 11.9°
Field Angle (10%): 13.4°
Cutoff Angle (2.5%): 13.9°

Color

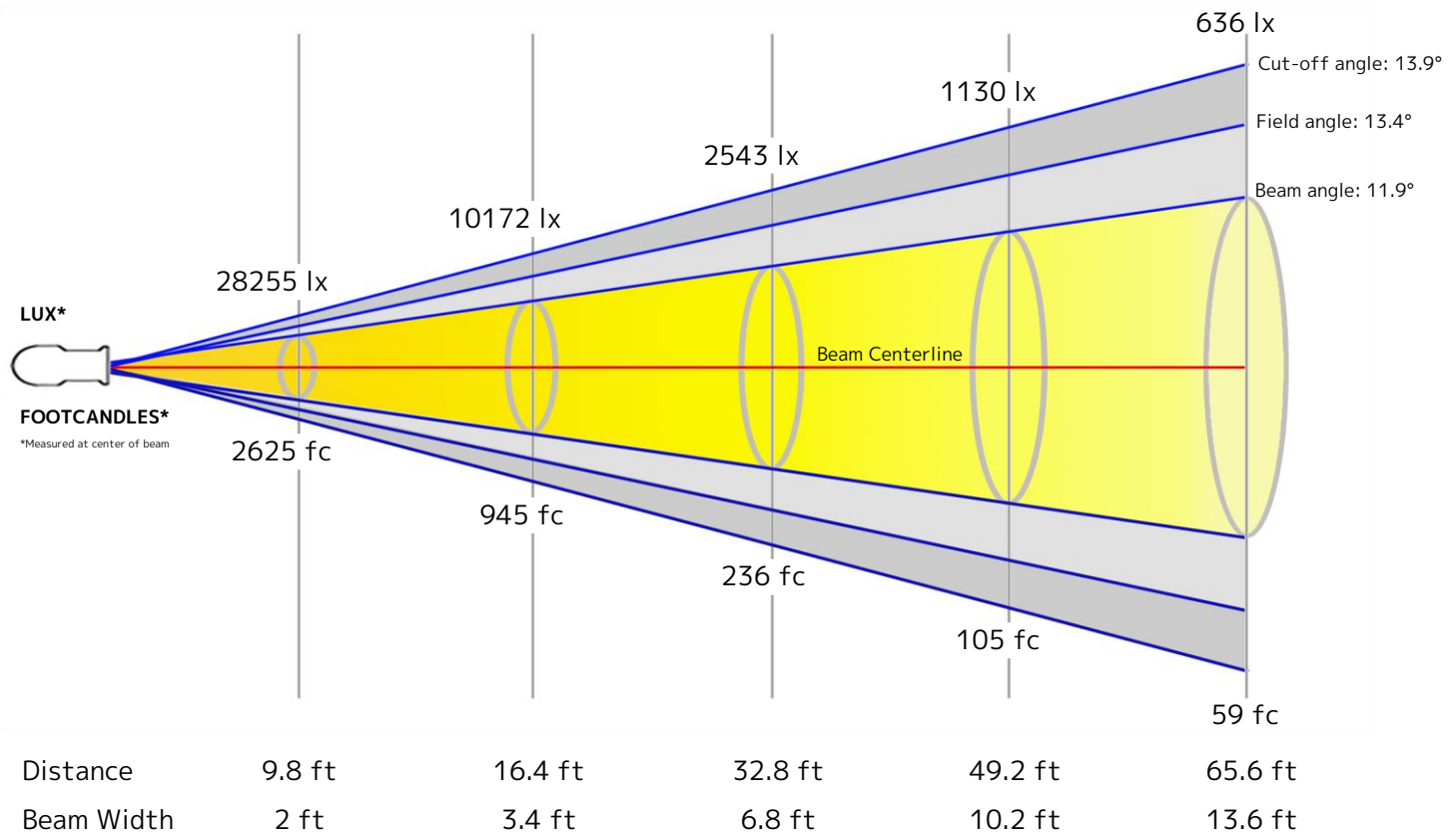
Color Temperature: 5585 K
CRI: 92.7
TLCI: 92
TM30 R_F: 89.8
TM30 R_g: 104.1

Power Details

Efficacy: 26 Lumen/Watt
Power: 315 W
Supply Voltage: 118 V
Current: 2.66 A

Beam Details

Distance	3 m	5 m	10 m	15 m	20 m
Beam Width	0.6 m	1 m	2.1 m	3.1 m	4.2 m



Beam Intensities from 1-20m

M	1	2	3	4	5	6	7	8	9	10	11	12	13	14	15	16	17	18	19	20
LX	254297	63574	28255	15894	10172	7064	5190	3973	3139	2543	2102	1766	1505	1297	1130	993	880	785	704	636
FT	3.3	6.6	9.8	13.1	16.4	19.7	23	26.2	29.5	32.8	36.1	39.4	42.7	45.9	49.2	52.5	55.8	59.1	62.3	65.6
FC	23625	5906.2	2625	1476.6	945	656.2	482.1	369.1	291.7	236.2	195.2	164.1	139.8	120.5	105	92.3	81.7	72.9	65.4	59.1

Key Measurements

Output

Total Lumen Output: 8332 lm
Peak Intensity: 258014 cd

Beam

Beam Angle (50%): 11.9°
Field Angle (10%): 13.6°
Cutoff Angle (2.5%): 13.9°

Color

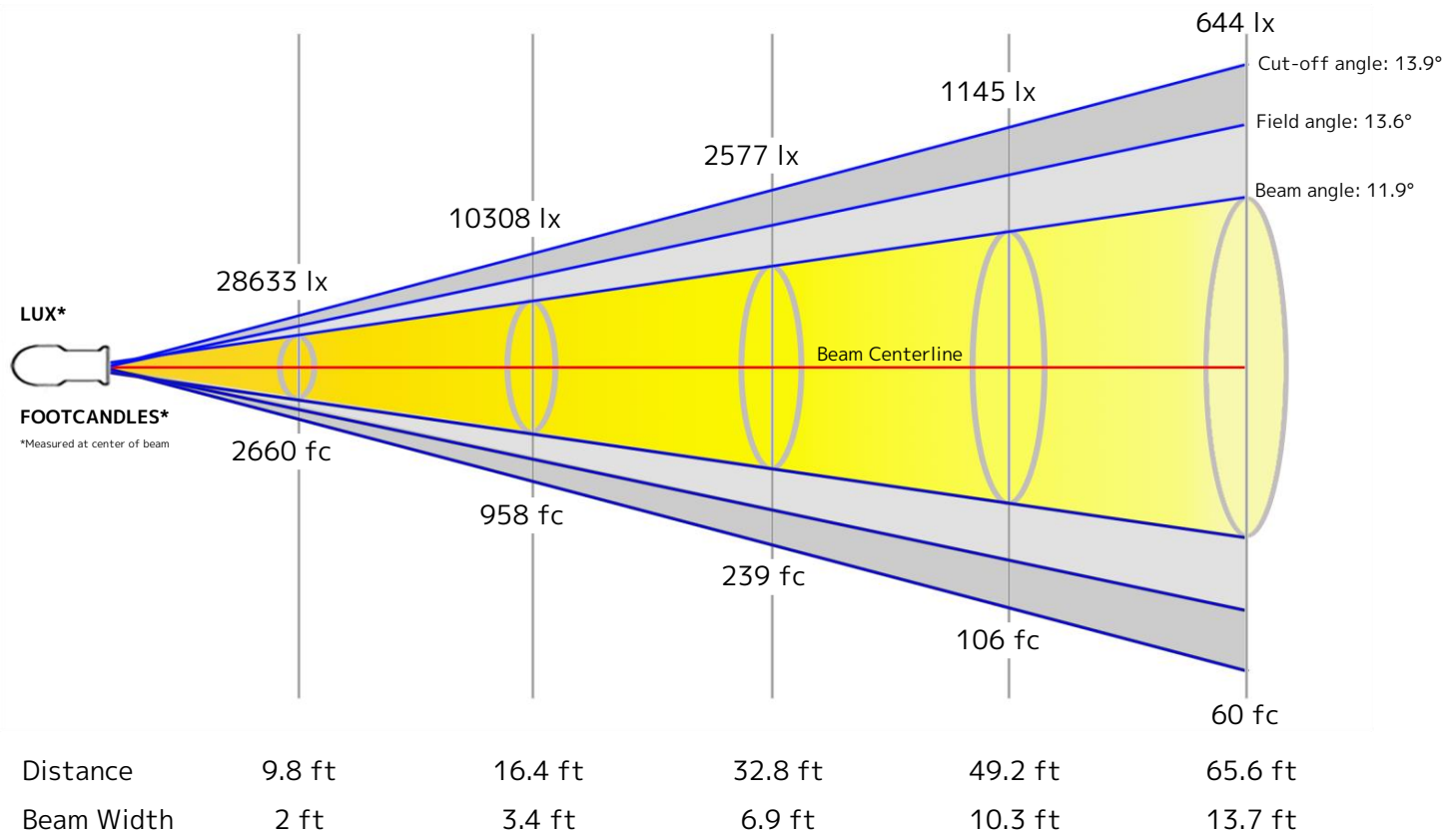
Color Temperature: 6049 K
CRI: 92.6
TLCI: 93
TM30 R_F: 89.5
TM30 R_g: 103.8

Power Details

Efficacy: 26 Lumen/Watt
Power: 320.1 W
Supply Voltage: 118 V
Current: 2.71 A

Beam Details

Distance	3 m	5 m	10 m	15 m	20 m
Beam Width	0.6 m	1 m	2.1 m	3.1 m	4.2 m



Beam Intensities from 1-20m

M	1	2	3	4	5	6	7	8	9	10	11	12	13	14	15	16	17	18	19	20
LX	257701	64425	28633	16106	10308	7158	5259	4027	3181	2577	2130	1790	1525	1315	1145	1007	892	795	714	644
FT	3.3	6.6	9.8	13.1	16.4	19.7	23	26.2	29.5	32.8	36.1	39.4	42.7	45.9	49.2	52.5	55.8	59.1	62.3	65.6
FC	23941.2	5985.3	2660.1	1496.3	957.6	665	488.6	374.1	295.6	239.4	197.9	166.3	141.7	122.1	106.4	93.5	82.8	73.9	66.3	59.9

Key Measurements

Output

Total Lumen Output: 8280 lm
Peak Intensity: 256817 cd

Beam

Beam Angle (50%): 11.8°
Field Angle (10%): 13.9°
Cutoff Angle (2.5%): 14.7°

Color

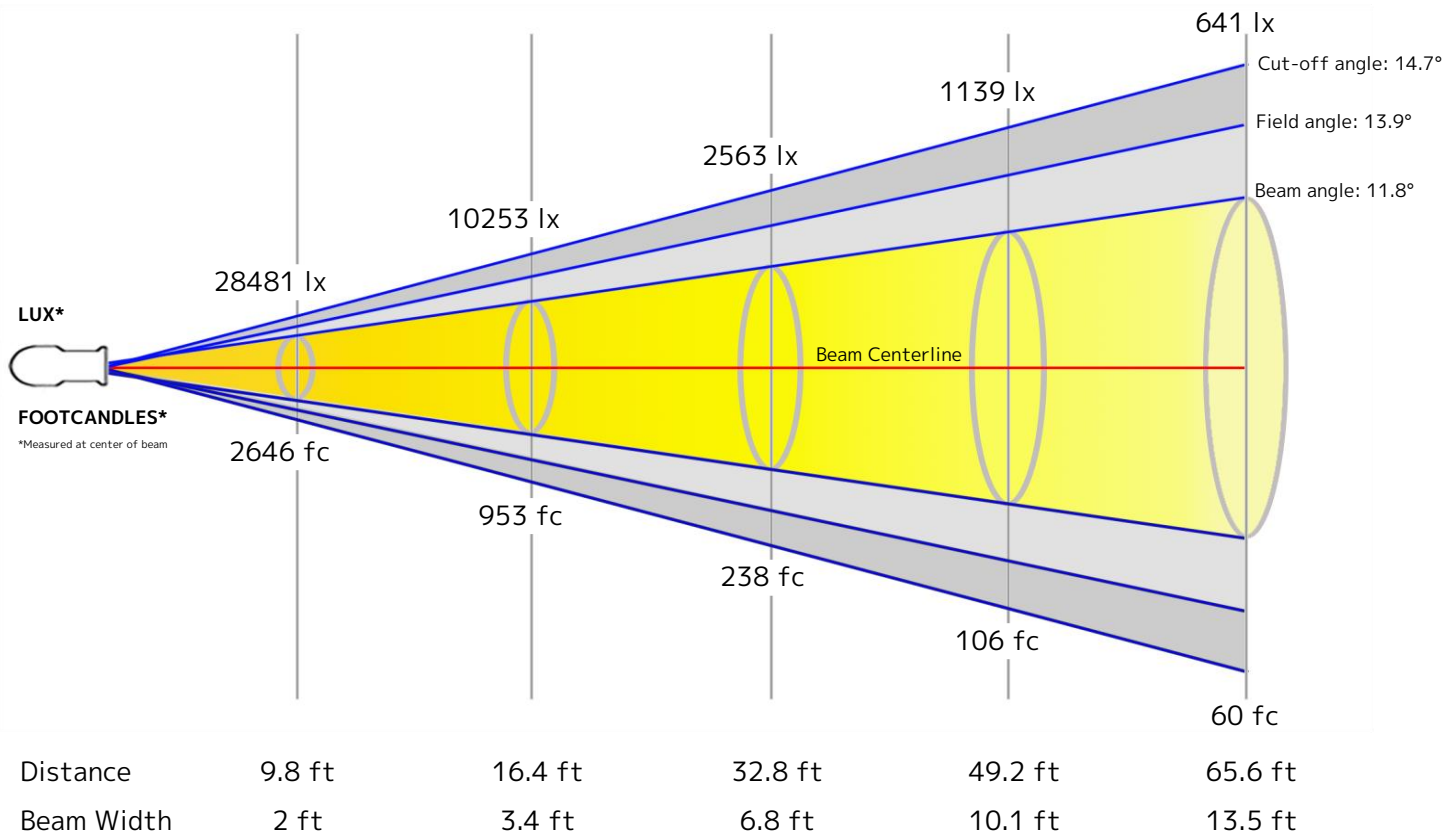
Color Temperature: 6499 K
CRI: 92.3
TLCI: 92
TM30 R_F: 88.7
TM30 R_g: 102.6

Power Details

Efficacy: 26 Lumen/Watt
Power: 320.1 W
Supply Voltage: 118 V
Current: 2.71 A

Beam Details

Distance	3 m	5 m	10 m	15 m	20 m
Beam Width	0.6 m	1 m	2.1 m	3.1 m	4.1 m



Beam Intensities from 1-20m

M	1	2	3	4	5	6	7	8	9	10	11	12	13	14	15	16	17	18	19	20
LX	256327	64082	28481	16020	10253	7120	5231	4005	3165	2563	2118	1780	1517	1308	1139	1001	887	791	710	641
FT	3.3	6.6	9.8	13.1	16.4	19.7	23	26.2	29.5	32.8	36.1	39.4	42.7	45.9	49.2	52.5	55.8	59.1	62.3	65.6
FC	23813.6	5953.4	2646	1488.3	952.5	661.5	486	372.1	294	238.1	196.8	165.4	140.9	121.5	105.8	93	82.4	73.5	66	59.5

Key Measurements

Output

Total Lumen Output: 8008 lm
Peak Intensity: 460506 cd

Beam

Beam Angle (50%): 9.2°
Field Angle (10%): 9.9°
Cutoff Angle (2.5%): 10°

Color

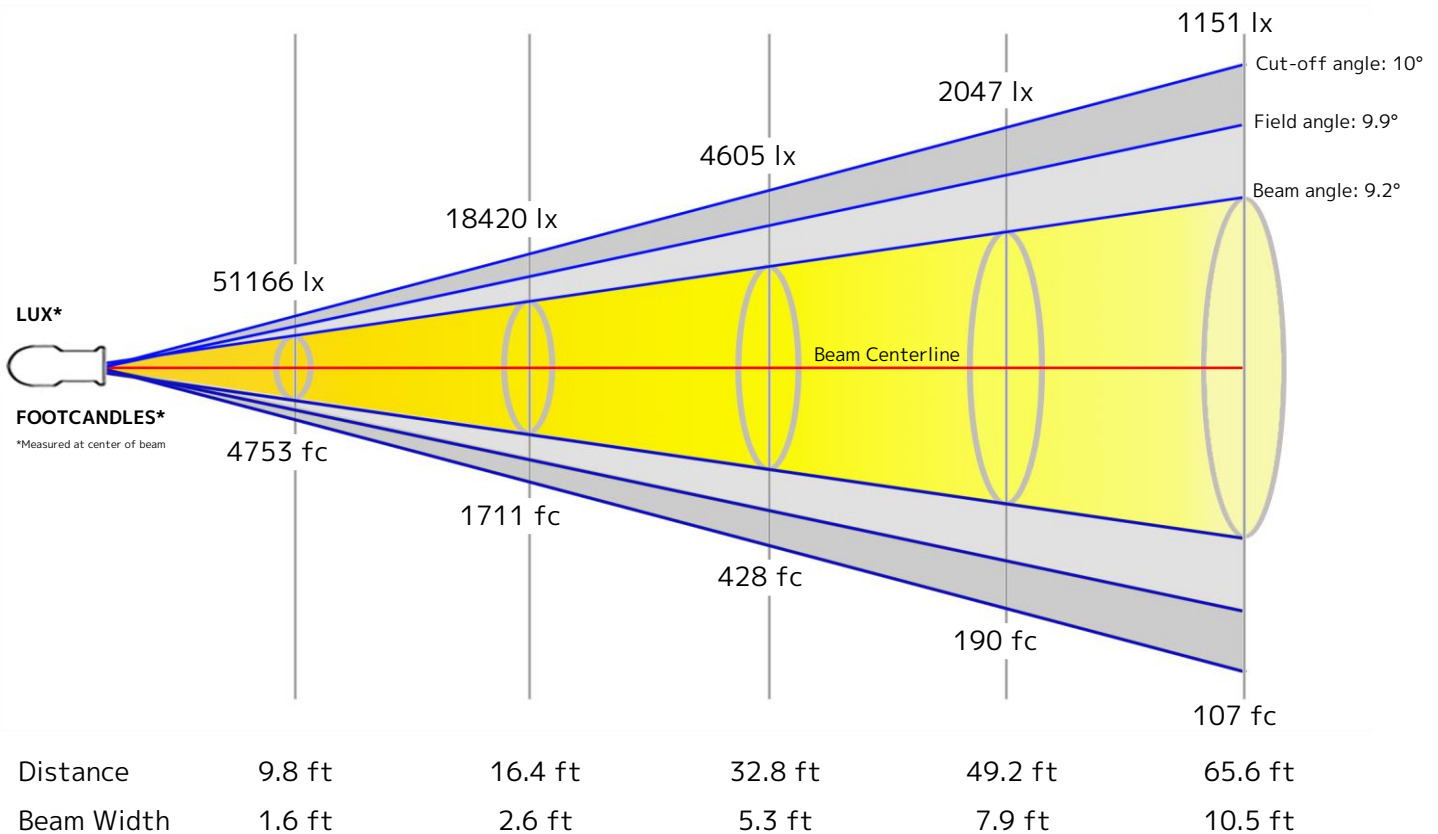
Color Temperature: 6040 K
CRI: 90.4
TLCI: 93
TM30 R_F: 89.4
TM30 R_g: 106.2

Power Details

Efficacy: 22 Lumen/Watt
Power: 363 W
Supply Voltage: 118 V
Current: 3.07 A

Beam Details

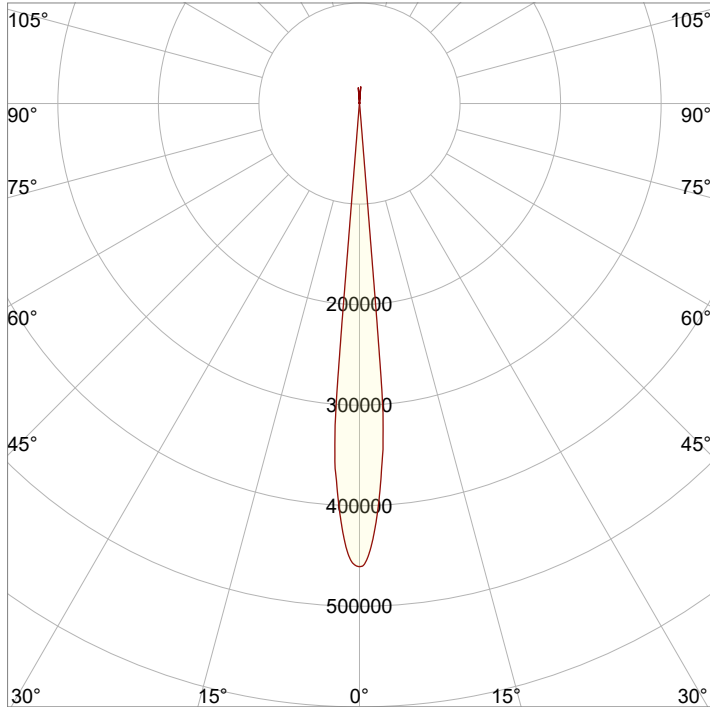
Distance	3 m	5 m	10 m	15 m	20 m
Beam Width	0.5 m	0.8 m	1.6 m	2.4 m	3.2 m



Beam Intensities from 1-20m

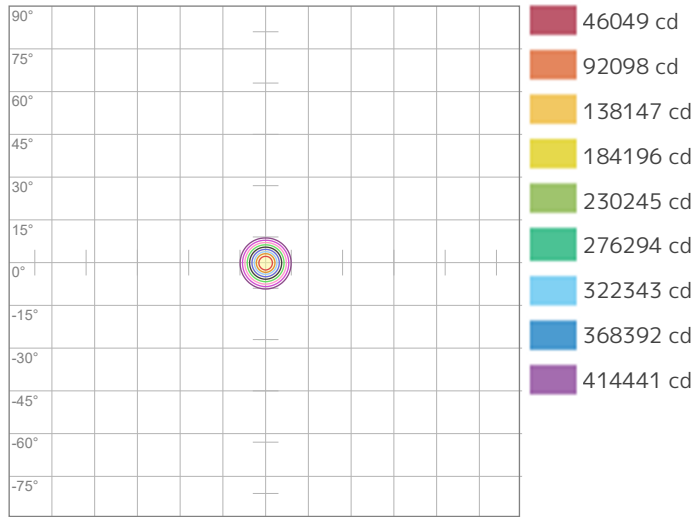
M	1	2	3	4	5	6	7	8	9	10	11	12	13	14	15	16	17	18	19	20
LX	460490	115122	51166	28781	18420	12791	9398	7195	5685	4605	3806	3198	2725	2349	2047	1799	1593	1421	1276	1151
FT	3.3	6.6	9.8	13.1	16.4	19.7	23	26.2	29.5	32.8	36.1	39.4	42.7	45.9	49.2	52.5	55.8	59.1	62.3	65.6
FC	42780.9	10695.2	4753.4	2673.8	1711.2	1188.4	873.1	668.5	528.2	427.8	353.6	297.1	253.1	218.3	190.1	167.1	148	132	118.5	107

Angular Distribution



Beam Angle - 50%
9.2°
Field Angle - 10%
9.9°
Cutoff Angle - 2.5%
10°

ISO Diagrams

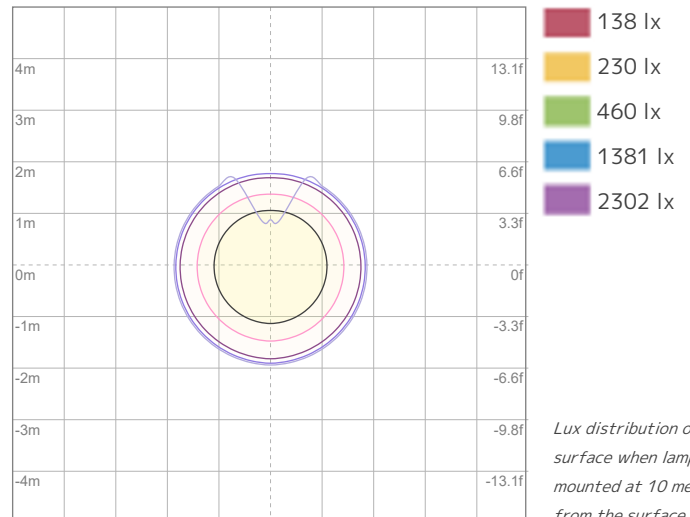


ISO Candela Diagram

Conditions:

Number of c-planes: 2

Candela at center: 460490 cd



ISO LUX Diagram

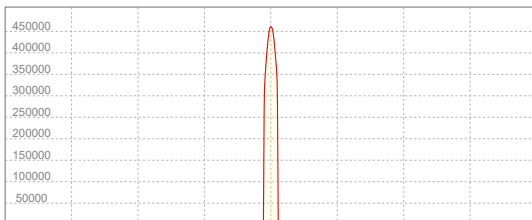
Conditions:

Number of c-planes: 2

LUX at center: 4605 lx

Lux distribution on a surface when lamp is mounted at 10 meters from the surface.

Linear Distribution



Peak Candela
460506 cd

Calculate Center Beam Intensities

$$\text{lux} = 460506 / \text{distance(m)}^2$$

$$\text{fc} = 460506 / \text{distance(ft)}^2$$

Key Measurements

Output

Total Lumen Output: 4524 lm
Peak Intensity: 258882 cd

Beam

Beam Angle (50%): 9.1°
Field Angle (10%): 9.9°
Cutoff Angle (2.5%): 10.3°

Color

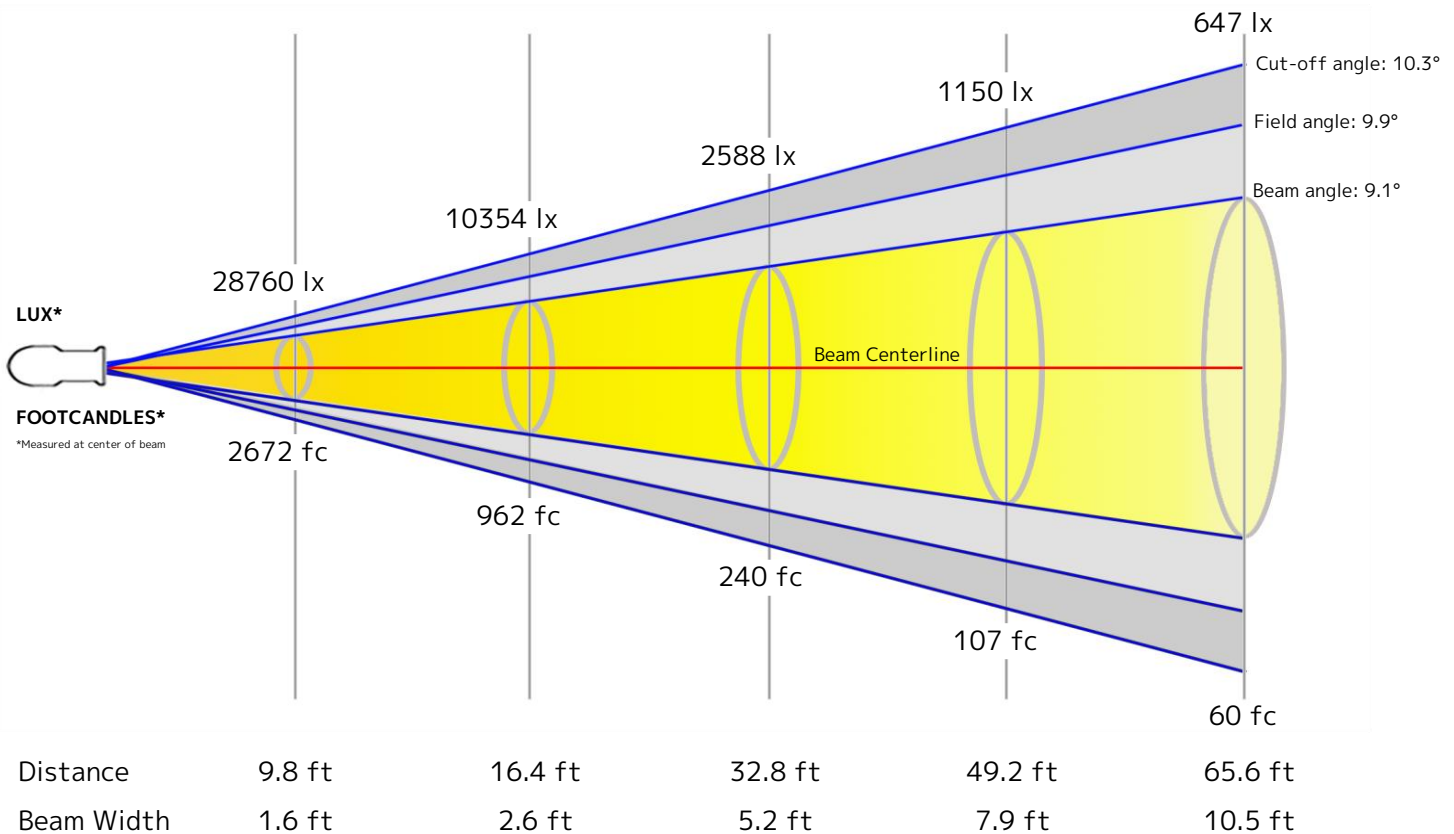
Color Temperature: 2738 K
CRI: 91.5
TLCI: 88
TM30 R_F: 93.2
TM30 R_g: 104.6

Power Details

Efficacy: 23 Lumen/Watt
Power: 199 W
Supply Voltage: 119 V
Current: 1.68 A

Beam Details

Distance	3 m	5 m	10 m	15 m	20 m
Beam Width	0.5 m	0.8 m	1.6 m	2.4 m	3.2 m



Beam Intensities from 1-20m

M	1	2	3	4	5	6	7	8	9	10	11	12	13	14	15	16	17	18	19	20
LX	258840	64710	28760	16177	10354	7190	5282	4044	3196	2588	2139	1797	1532	1321	1150	1011	896	799	717	647
FT	3.3	6.6	9.8	13.1	16.4	19.7	23	26.2	29.5	32.8	36.1	39.4	42.7	45.9	49.2	52.5	55.8	59.1	62.3	65.6
FC	24047	6011.7	2671.9	1502.9	961.9	668	490.8	375.7	296.9	240.5	198.7	167	142.3	122.7	106.9	93.9	83.2	74.2	66.6	60.1

Key Measurements

Output

Total Lumen Output: 5487 lm
Peak Intensity: 316579 cd

Beam

Beam Angle (50%): 9°
Field Angle (10%): 10.1°
Cutoff Angle (2.5%): 10.4°

Color

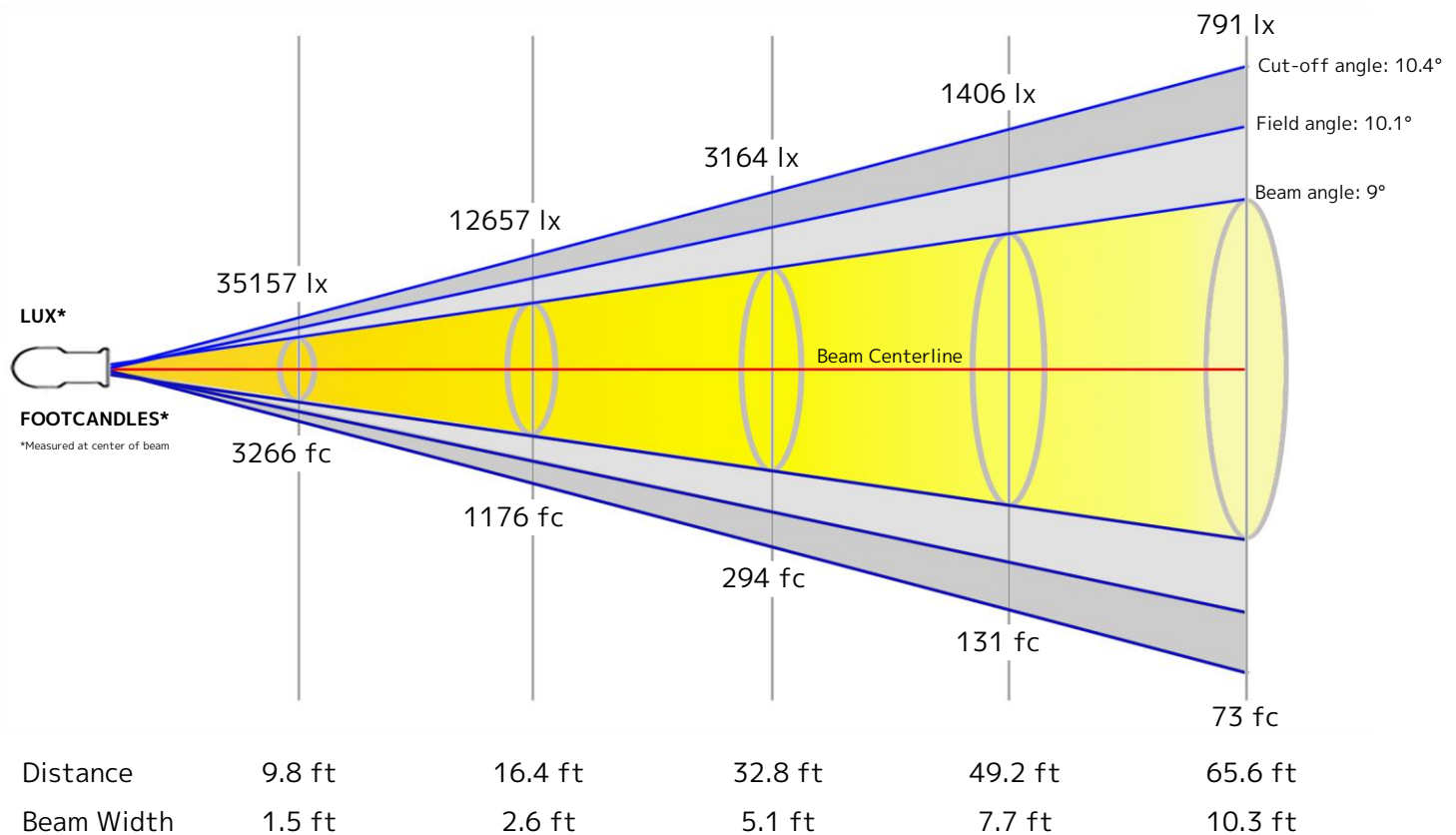
Color Temperature: 3160 K
CRI: 94.1
TLCI: 89
TM30 R_F: 93.2
TM30 R_g: 104.5

Power Details

Efficacy: 25 Lumen/Watt
Power: 222.1 W
Supply Voltage: 119 V
Current: 1.86 A

Beam Details

Distance	3 m	5 m	10 m	15 m	20 m
Beam Width	0.5 m	0.8 m	1.6 m	2.4 m	3.1 m



Beam Intensities from 1-20m

M	1	2	3	4	5	6	7	8	9	10	11	12	13	14	15	16	17	18	19	20
LX	316413	79103	35157	19776	12657	8789	6457	4944	3906	3164	2615	2197	1872	1614	1406	1236	1095	977	876	791
FT	3.3	6.6	9.8	13.1	16.4	19.7	23	26.2	29.5	32.8	36.1	39.4	42.7	45.9	49.2	52.5	55.8	59.1	62.3	65.6
FC	29395.7	7348.9	3266.2	1837.2	1175.8	816.5	599.9	459.3	362.9	294	242.9	204.1	173.9	150	130.6	114.8	101.7	90.7	81.4	73.5

Key Measurements

Output

Total Lumen Output: 7044 lm
Peak Intensity: 405775 cd

Beam

Beam Angle (50%): 9.1°
Field Angle (10%): 9.9°
Cutoff Angle (2.5%): 10.3°

Color

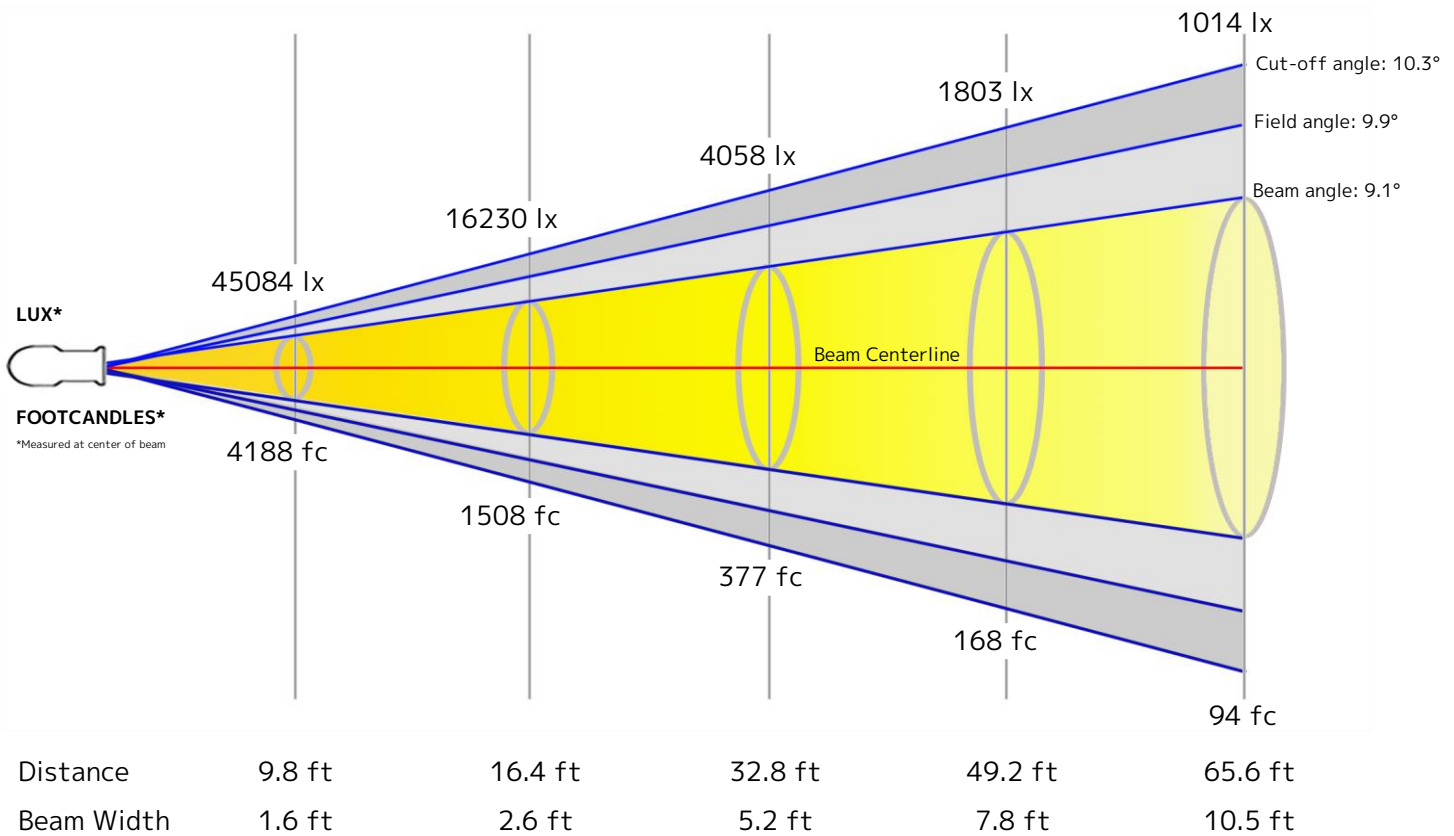
Color Temperature: 4463 K
CRI: 93.3
TLCI: 91
TM30 R_F: 90.8
TM30 R_g: 104.6

Power Details

Efficacy: 24 Lumen/Watt
Power: 289 W
Supply Voltage: 119 V
Current: 2.44 A

Beam Details

Distance	3 m	5 m	10 m	15 m	20 m
Beam Width	0.5 m	0.8 m	1.6 m	2.4 m	3.2 m



Beam Intensities from 1-20m

M	1	2	3	4	5	6	7	8	9	10	11	12	13	14	15	16	17	18	19	20
LX	405758	101440	45084	25360	16230	11271	8281	6340	5009	4058	3353	2818	2401	2070	1803	1585	1404	1252	1124	1014
FT	3.3	6.6	9.8	13.1	16.4	19.7	23	26.2	29.5	32.8	36.1	39.4	42.7	45.9	49.2	52.5	55.8	59.1	62.3	65.6
FC	37696.2	9424	4188.5	2356	1507.8	1047.1	769.3	589	465.4	377	311.5	261.8	223.1	192.3	167.5	147.3	130.4	116.3	104.4	94.2

Key Measurements

Output

Total Lumen Output: 7386 lm
Peak Intensity: 425569 cd

Beam

Beam Angle (50%): 9.1°
Field Angle (10%): 9.9°
Cutoff Angle (2.5%): 10.3°

Color

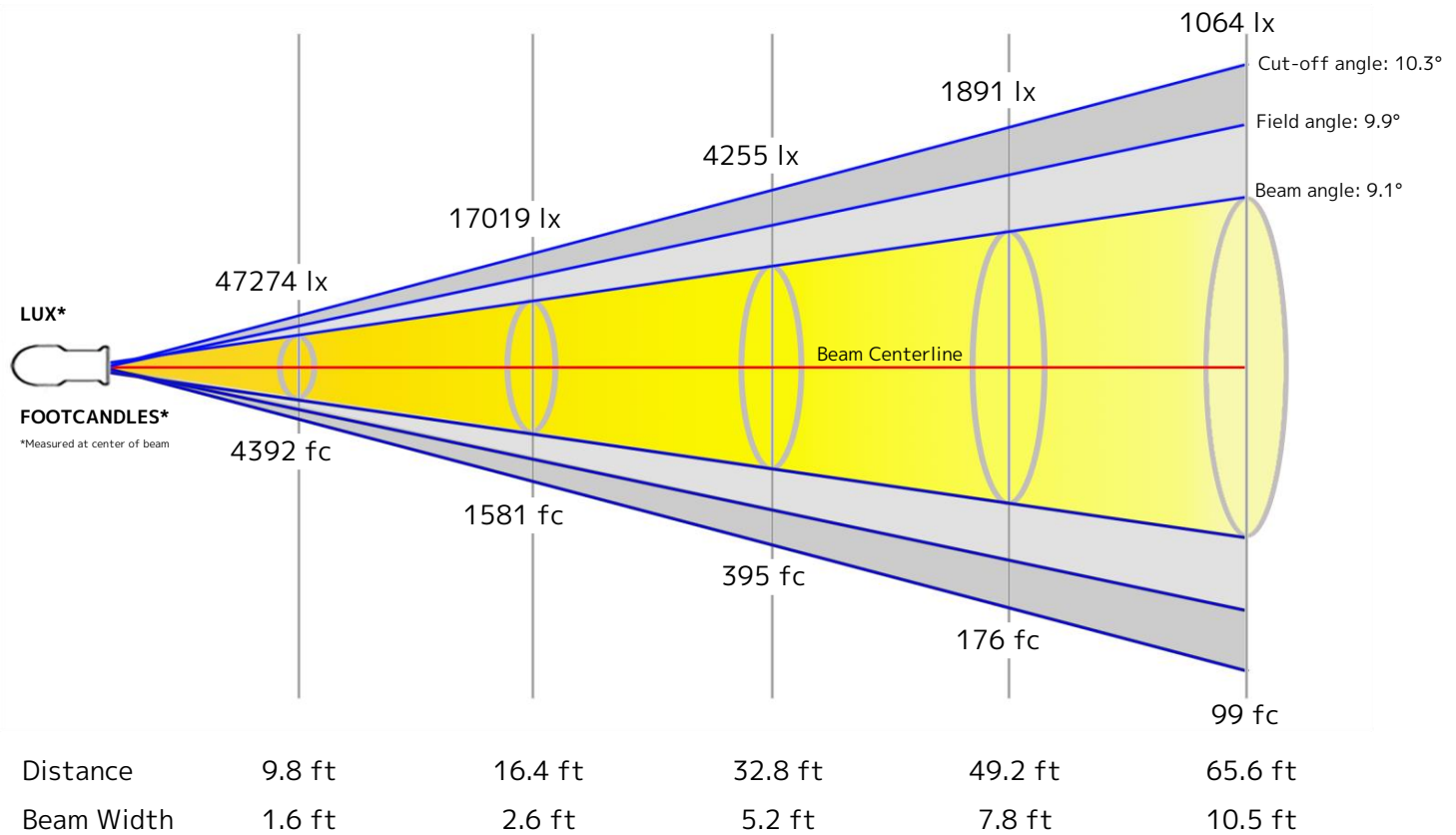
Color Temperature: 5597 K
CRI: 92.7
TLCI: 92
TM30 R_F: 89.8
TM30 R_g: 104.3

Power Details

Efficacy: 23 Lumen/Watt
Power: 315 W
Supply Voltage: 119 V
Current: 2.66 A

Beam Details

Distance	3 m	5 m	10 m	15 m	20 m
Beam Width	0.5 m	0.8 m	1.6 m	2.4 m	3.2 m



Beam Intensities from 1-20m

M	1	2	3	4	5	6	7	8	9	10	11	12	13	14	15	16	17	18	19	20
LX	425466	106367	47274	26592	17019	11819	8683	6648	5253	4255	3516	2955	2518	2171	1891	1662	1472	1313	1179	1064
FT	3.3	6.6	9.8	13.1	16.4	19.7	23	26.2	29.5	32.8	36.1	39.4	42.7	45.9	49.2	52.5	55.8	59.1	62.3	65.6
FC	39527.1	9881.8	4391.9	2470.4	1581.1	1098	806.7	617.6	488	395.3	326.7	274.5	233.9	201.7	175.7	154.4	136.8	122	109.5	98.8

Key Measurements

Output

Total Lumen Output: 7552 lm
Peak Intensity: 428963 cd

Beam

Beam Angle (50%): 8.9°
Field Angle (10%): 10.6°
Cutoff Angle (2.5%): 10.9°

Color

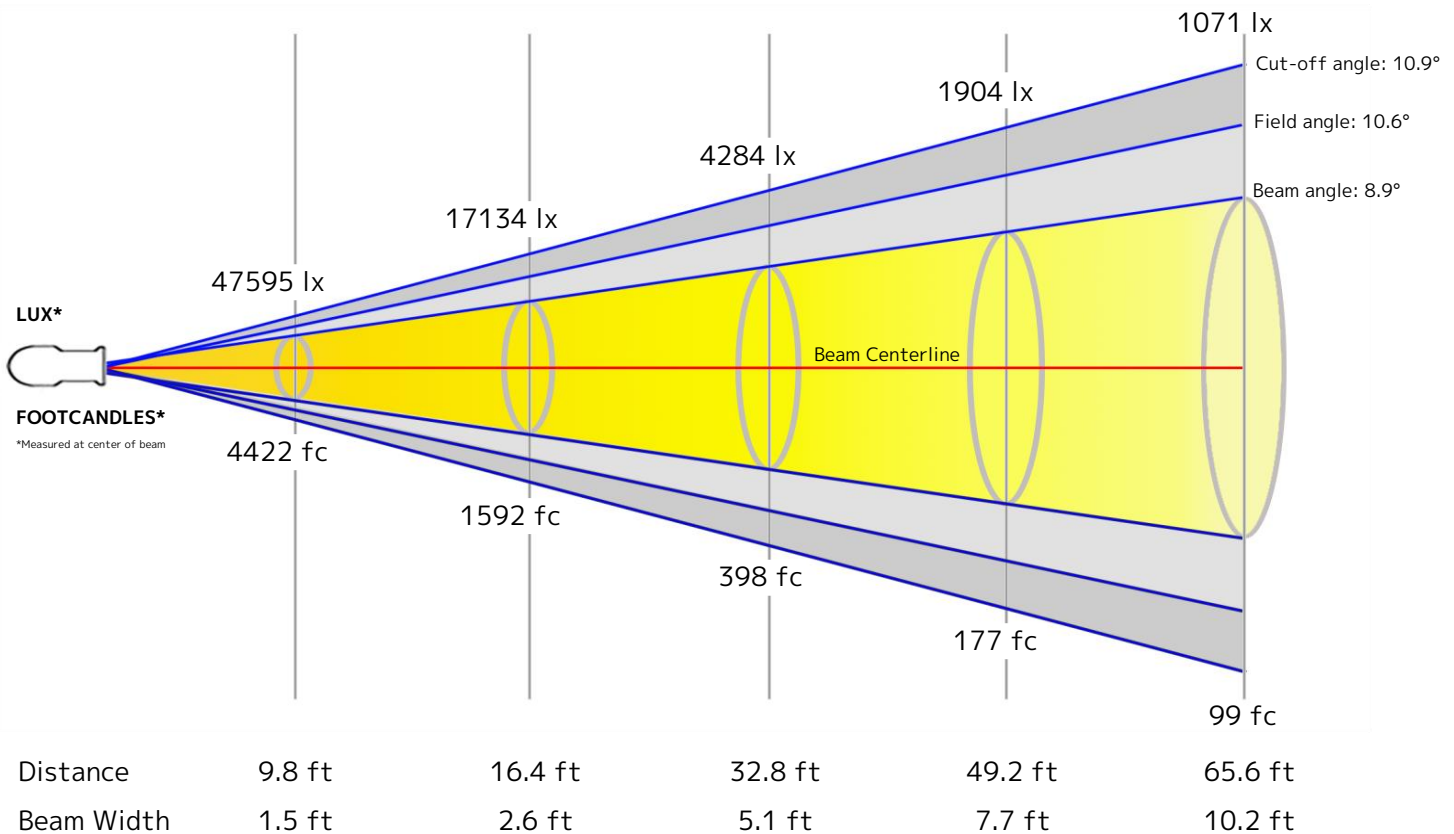
Color Temperature: 6054 K
CRI: 92.6
TLCI: 93
TM30 R_F: 89.5
TM30 R_g: 103.9

Power Details

Efficacy: 23 Lumen/Watt
Power: 323 W
Supply Voltage: 120 V
Current: 2.70 A

Beam Details

Distance	3 m	5 m	10 m	15 m	20 m
Beam Width	0.5 m	0.8 m	1.6 m	2.3 m	3.1 m



Beam Intensities from 1-20m

M	1	2	3	4	5	6	7	8	9	10	11	12	13	14	15	16	17	18	19	20
LX	428358	107089	47595	26772	17134	11899	8742	6693	5288	4284	3540	2975	2535	2185	1904	1673	1482	1322	1187	1071
FT	3.3	6.6	9.8	13.1	16.4	19.7	23	26.2	29.5	32.8	36.1	39.4	42.7	45.9	49.2	52.5	55.8	59.1	62.3	65.6
FC	39795.7	9948.9	4421.7	2487.2	1591.8	1105.4	812.2	621.8	491.3	398	328.9	276.4	235.5	203	176.9	155.5	137.7	122.8	110.2	99.5

Key Measurements

Output

Total Lumen Output: 7476 lm
Peak Intensity: 425472 cd

Beam

Beam Angle (50%): 8.9°
Field Angle (10%): 10.6°
Cutoff Angle (2.5%): 10.9°

Color

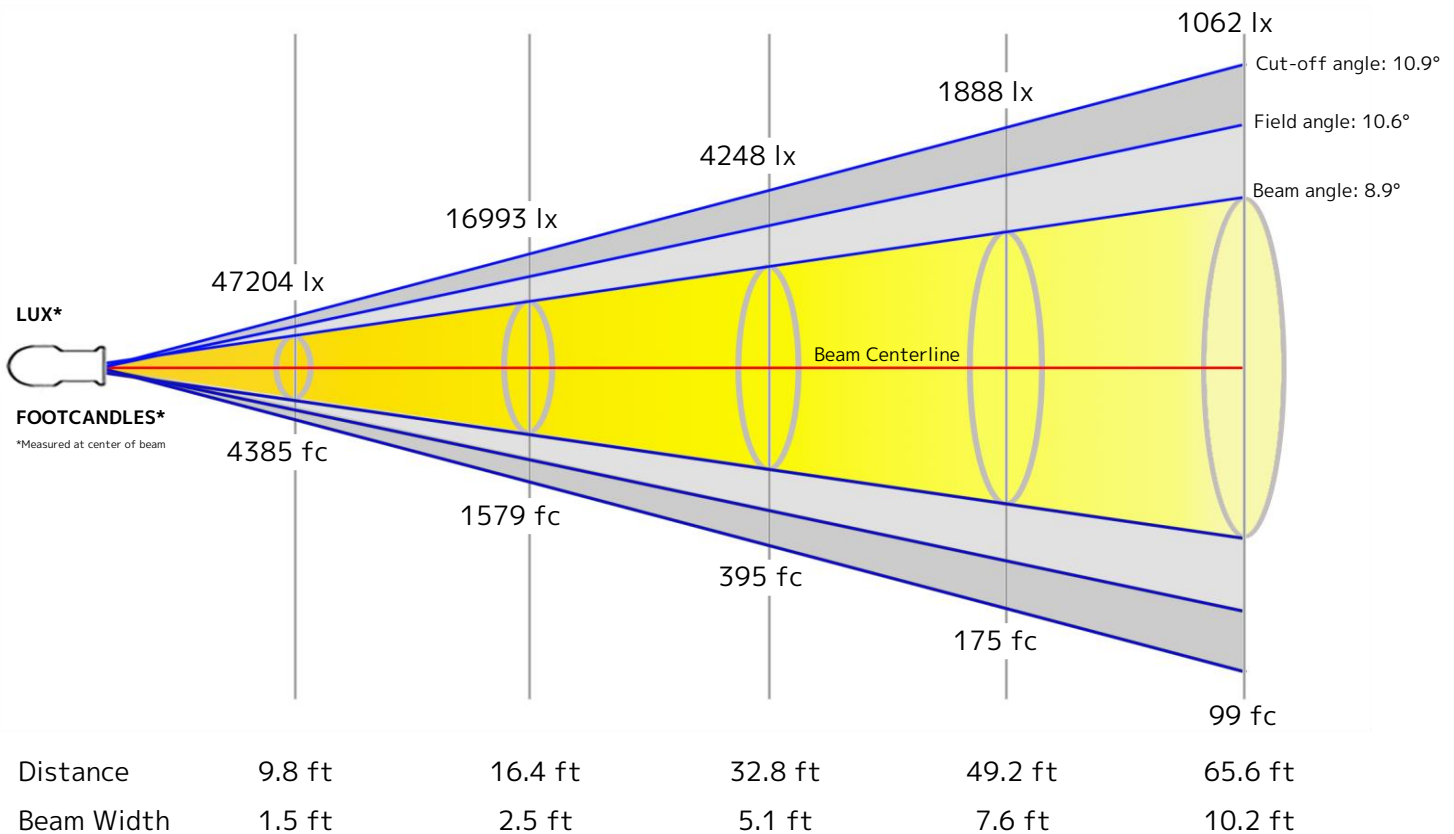
Color Temperature: 6510 K
CRI: 92.5
TLCI: 92
TM30 R_F: 88.8
TM30 R_g: 102.5

Power Details

Efficacy: 23 Lumen/Watt
Power: 323.1 W
Supply Voltage: 119 V
Current: 2.71 A

Beam Details

Distance	3 m	5 m	10 m	15 m	20 m
Beam Width	0.5 m	0.8 m	1.6 m	2.3 m	3.1 m



Beam Intensities from 1-20m

M	1	2	3	4	5	6	7	8	9	10	11	12	13	14	15	16	17	18	19	20
LX	424832	106208	47204	26552	16993	11801	8670	6638	5245	4248	3511	2950	2514	2168	1888	1659	1470	1311	1177	1062
FT	3.3	6.6	9.8	13.1	16.4	19.7	23	26.2	29.5	32.8	36.1	39.4	42.7	45.9	49.2	52.5	55.8	59.1	62.3	65.6
FC	39468.2	9867	4385.4	2466.8	1578.7	1096.3	805.5	616.7	487.3	394.7	326.2	274.1	233.5	201.4	175.4	154.2	136.6	121.8	109.3	98.7

Key Measurements

Output

Total Lumen Output: 5345 lm
Peak Intensity: 659587 cd

Beam

Beam Angle (50%): 5.9°
Field Angle (10%): 6.6°
Cutoff Angle (2.5%): 6.9°

Color

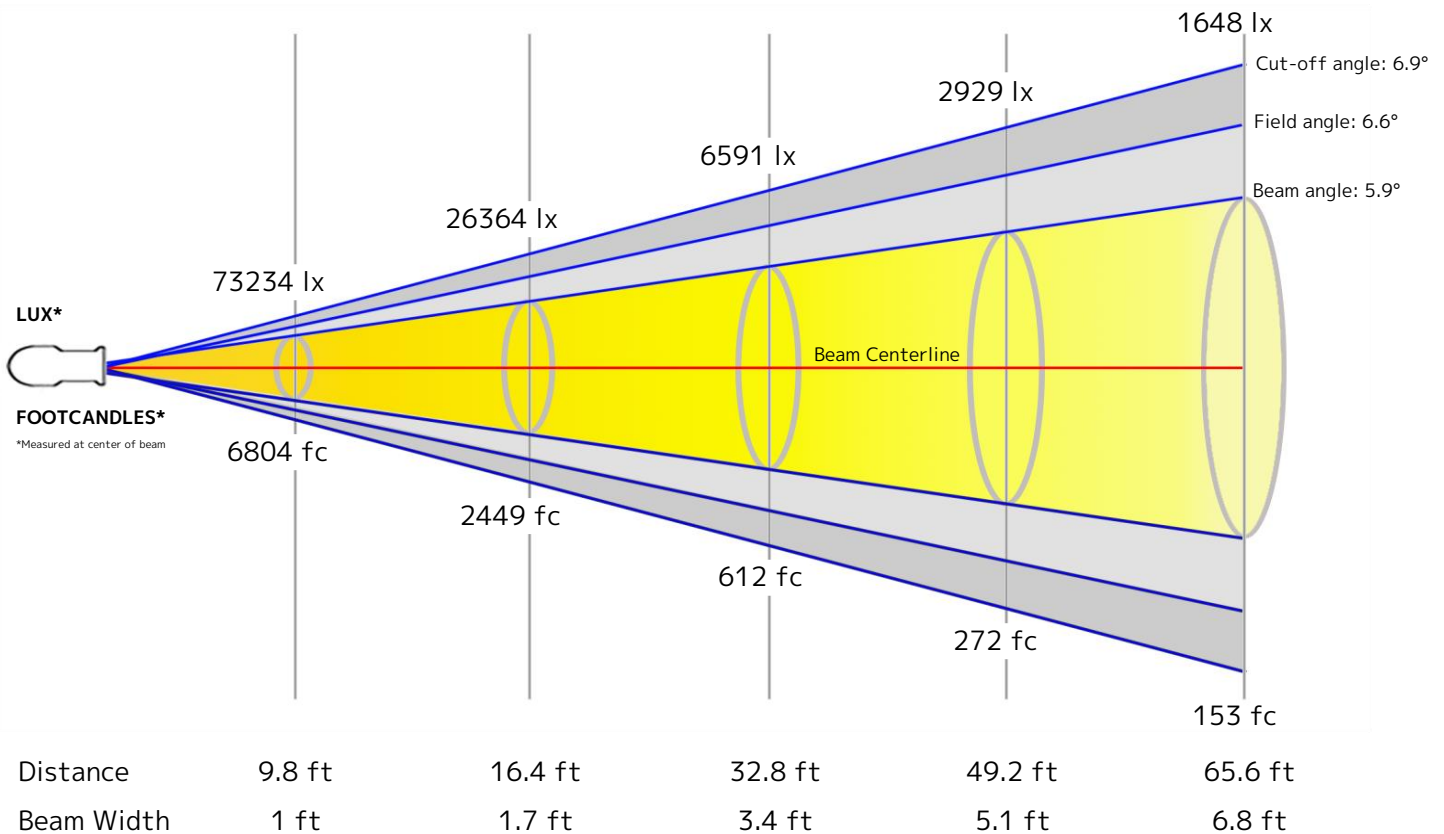
Color Temperature: 6058 K
CRI: 89.7
TLCI: 92
TM30 R_F: 89.2
TM30 R_g: 106.7

Power Details

Efficacy: 15 Lumen/Watt
Power: 363 W
Supply Voltage: 119 V
Current: 3.05 A

Beam Details

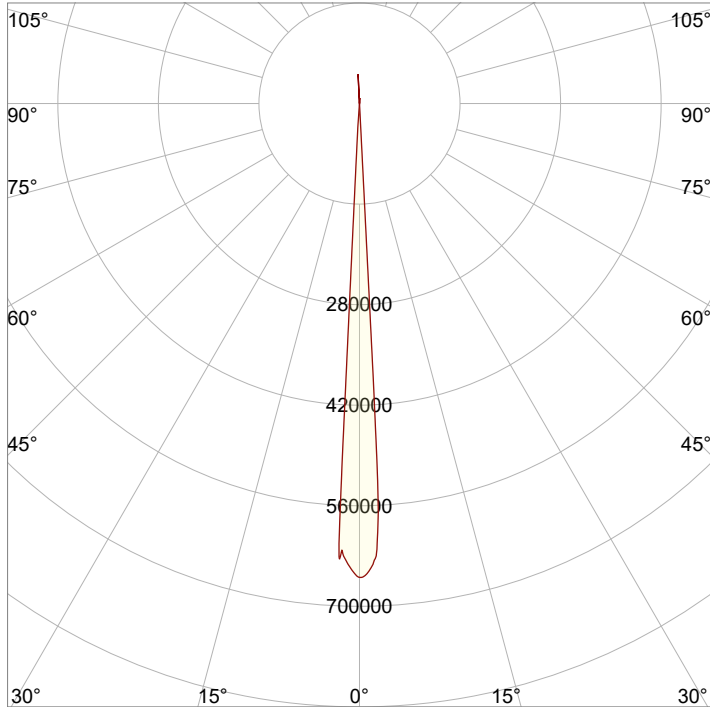
Distance	3 m	5 m	10 m	15 m	20 m
Beam Width	0.3 m	0.5 m	1 m	1.6 m	2.1 m



Beam Intensities from 1-20m

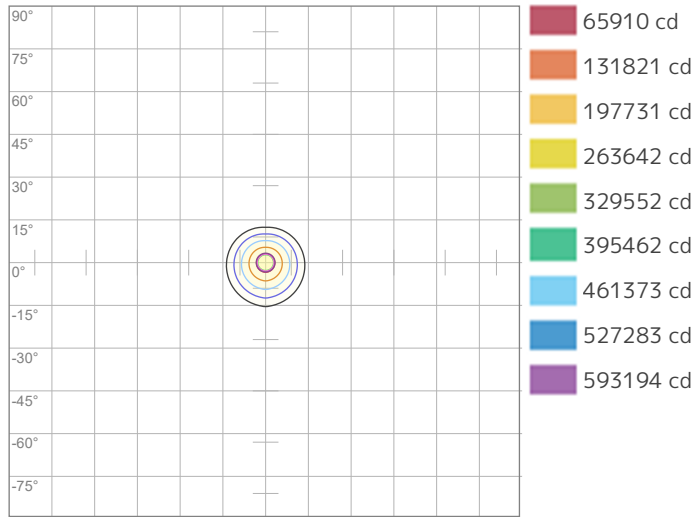
M	1	2	3	4	5	6	7	8	9	10	11	12	13	14	15	16	17	18	19	20
LX	659104	164776	73234	41194	26364	18308	13451	10299	8137	6591	5447	4577	3900	3363	2929	2575	2281	2034	1826	1648
FT	3.3	6.6	9.8	13.1	16.4	19.7	23	26.2	29.5	32.8	36.1	39.4	42.7	45.9	49.2	52.5	55.8	59.1	62.3	65.6
FC	61232.8	15308.2	6803.6	3827	2449.3	1700.9	1249.6	956.8	756	612.3	506.1	425.2	362.3	312.4	272.1	239.2	211.9	189	169.6	153.1

Angular Distribution

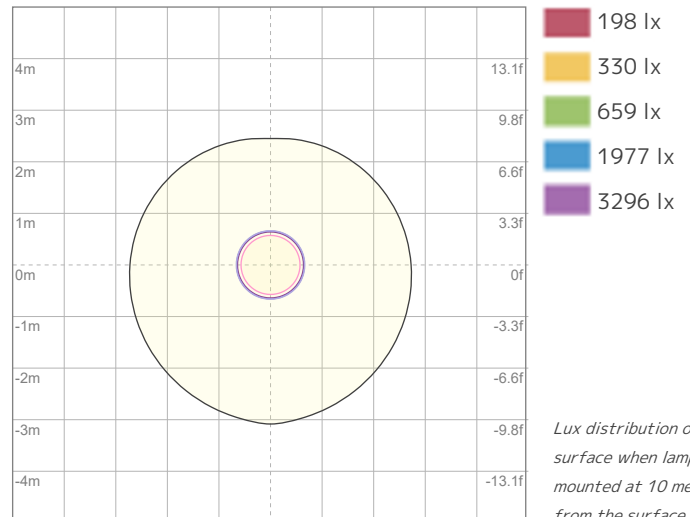


Beam Angle - 50%
5.9°
Field Angle - 10%
6.6°
Cutoff Angle - 2.5%
6.9°

ISO Diagrams



ISO Candela Diagram



ISO LUX Diagram

Lux distribution on a surface when lamp is mounted at 10 meters from the surface.

Conditions:

Number of c-planes: 2

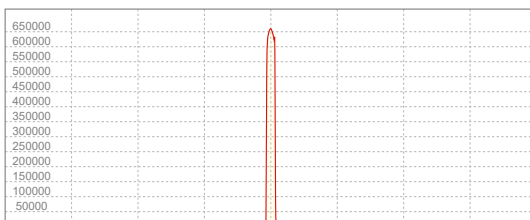
Candela at center: 659104 cd

Conditions:

Number of c-planes: 2

LUX at center: 6591 lx

Linear Distribution



Peak Candela
659587 cd

Calculate Center Beam Intensities

$$\text{lux} = 659587 / \text{distance(m)}^2$$

$$\text{fc} = 659587 / \text{distance(ft)}^2$$

Key Measurements

Output

Total Lumen Output: 2957 lm
Peak Intensity: 366576 cd

Beam

Beam Angle (50%): 5.9°
Field Angle (10%): 6.6°
Cutoff Angle (2.5%): 6.9°

Color

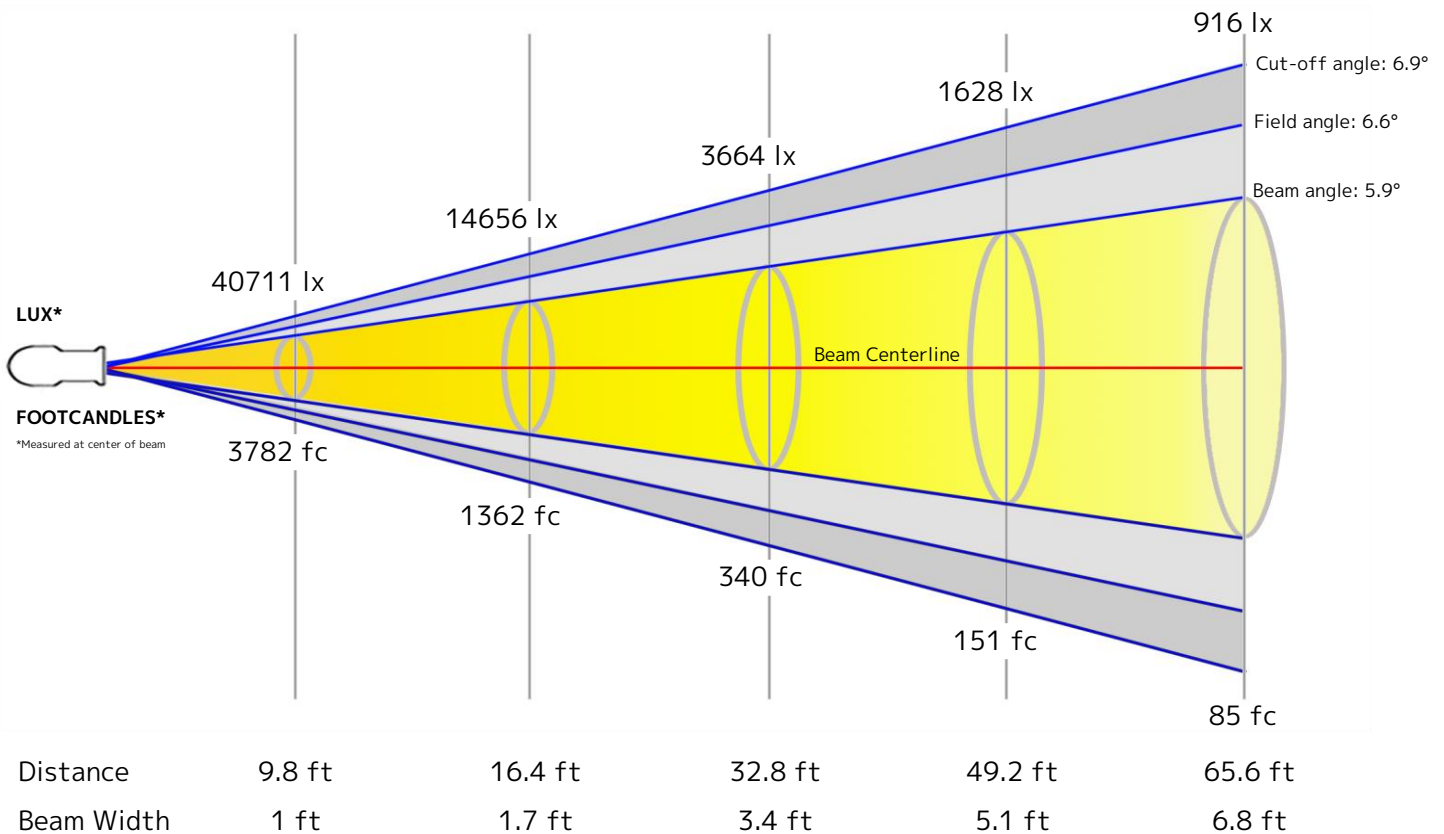
Color Temperature: 2724 K
CRI: 91.2
TLCI: 87
TM30 R_F: 93.1
TM30 R_g: 105.0

Power Details

Efficacy: 15 Lumen/Watt
Power: 199 W
Supply Voltage: 120 V
Current: 1.66 A

Beam Details

Distance	3 m	5 m	10 m	15 m	20 m
Beam Width	0.3 m	0.5 m	1 m	1.5 m	2.1 m



Beam Intensities from 1-20m

M	1	2	3	4	5	6	7	8	9	10	11	12	13	14	15	16	17	18	19	20
LX	366403	91601	40711	22900	14656	10178	7478	5725	4523	3664	3028	2544	2168	1869	1628	1431	1268	1131	1015	916
FT	3.3	6.6	9.8	13.1	16.4	19.7	23	26.2	29.5	32.8	36.1	39.4	42.7	45.9	49.2	52.5	55.8	59.1	62.3	65.6
FC	34040	8510	3782.2	2127.5	1361.6	945.6	694.7	531.9	420.2	340.4	281.3	236.4	201.4	173.7	151.3	133	117.8	105.1	94.3	85.1

Key Measurements

Output

Total Lumen Output: 3637 lm
Peak Intensity: 451549 cd

Beam

Beam Angle (50%): 5.9°
Field Angle (10%): 6.4°
Cutoff Angle (2.5%): 6.7°

Color

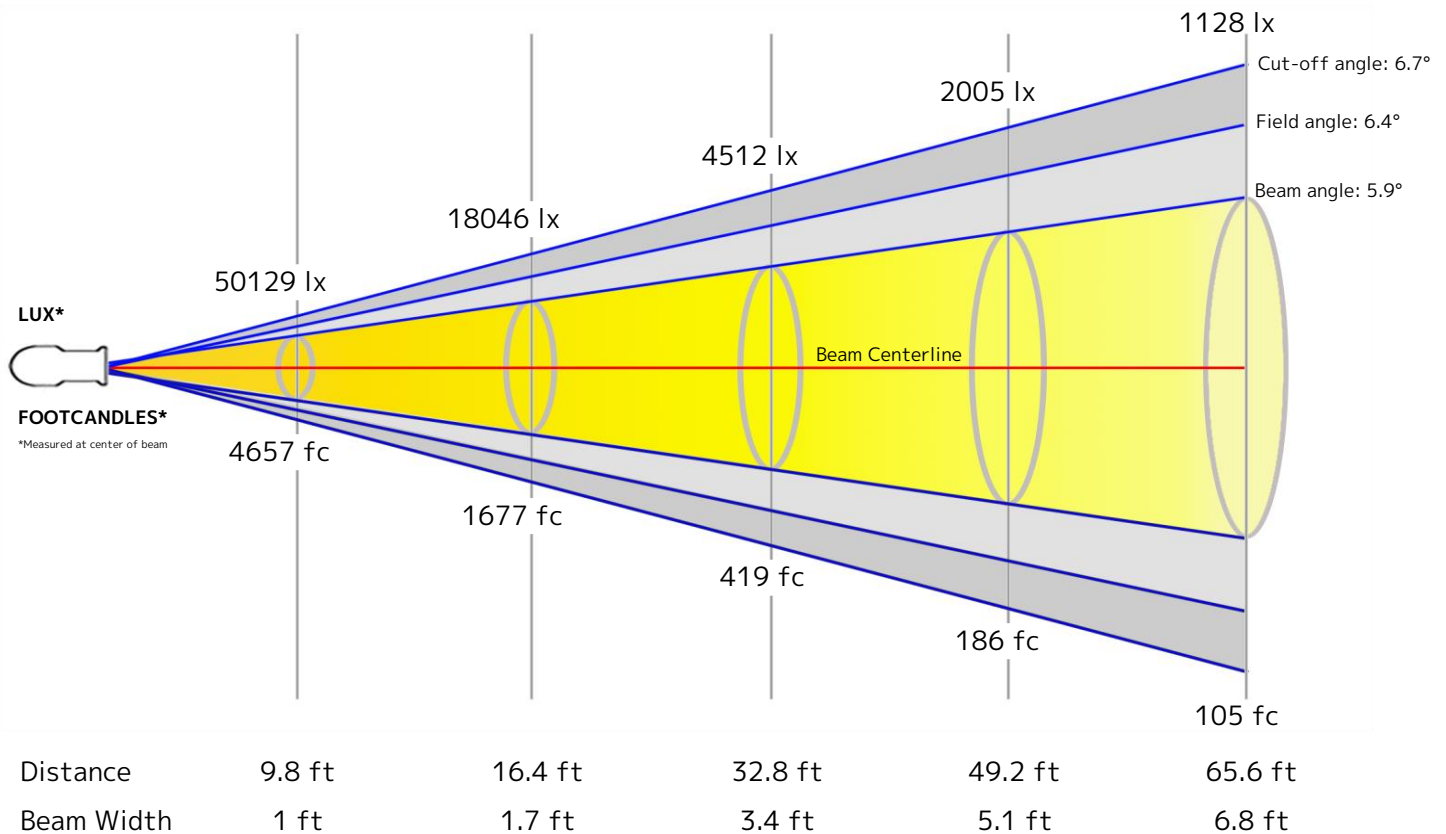
Color Temperature: 3260 K
CRI: 93.6
TLCI: 89
TM30 R_F: 92.6
TM30 R_g: 105.6

Power Details

Efficacy: 16 Lumen/Watt
Power: 222 W
Supply Voltage: 119 V
Current: 1.87 A

Beam Details

Distance	3 m	5 m	10 m	15 m	20 m
Beam Width	0.3 m	0.5 m	1 m	1.5 m	2.1 m



Beam Intensities from 1-20m

M	1	2	3	4	5	6	7	8	9	10	11	12	13	14	15	16	17	18	19	20
LX	451157	112789	50129	28197	18046	12532	9207	7049	5570	4512	3729	3133	2670	2302	2005	1762	1561	1392	1250	1128
FT	3.3	6.6	9.8	13.1	16.4	19.7	23	26.2	29.5	32.8	36.1	39.4	42.7	45.9	49.2	52.5	55.8	59.1	62.3	65.6
FC	41913.9	10478.5	4657.1	2619.6	1676.6	1164.3	855.4	654.9	517.5	419.1	346.4	291.1	248	213.8	186.3	163.7	145	129.4	116.1	104.8

Key Measurements

Output

Total Lumen Output: 4586 lm
Peak Intensity: 566453 cd

Beam

Beam Angle (50%): 5.9°
Field Angle (10%): 6.7°
Cutoff Angle (2.5%): 6.9°

Color

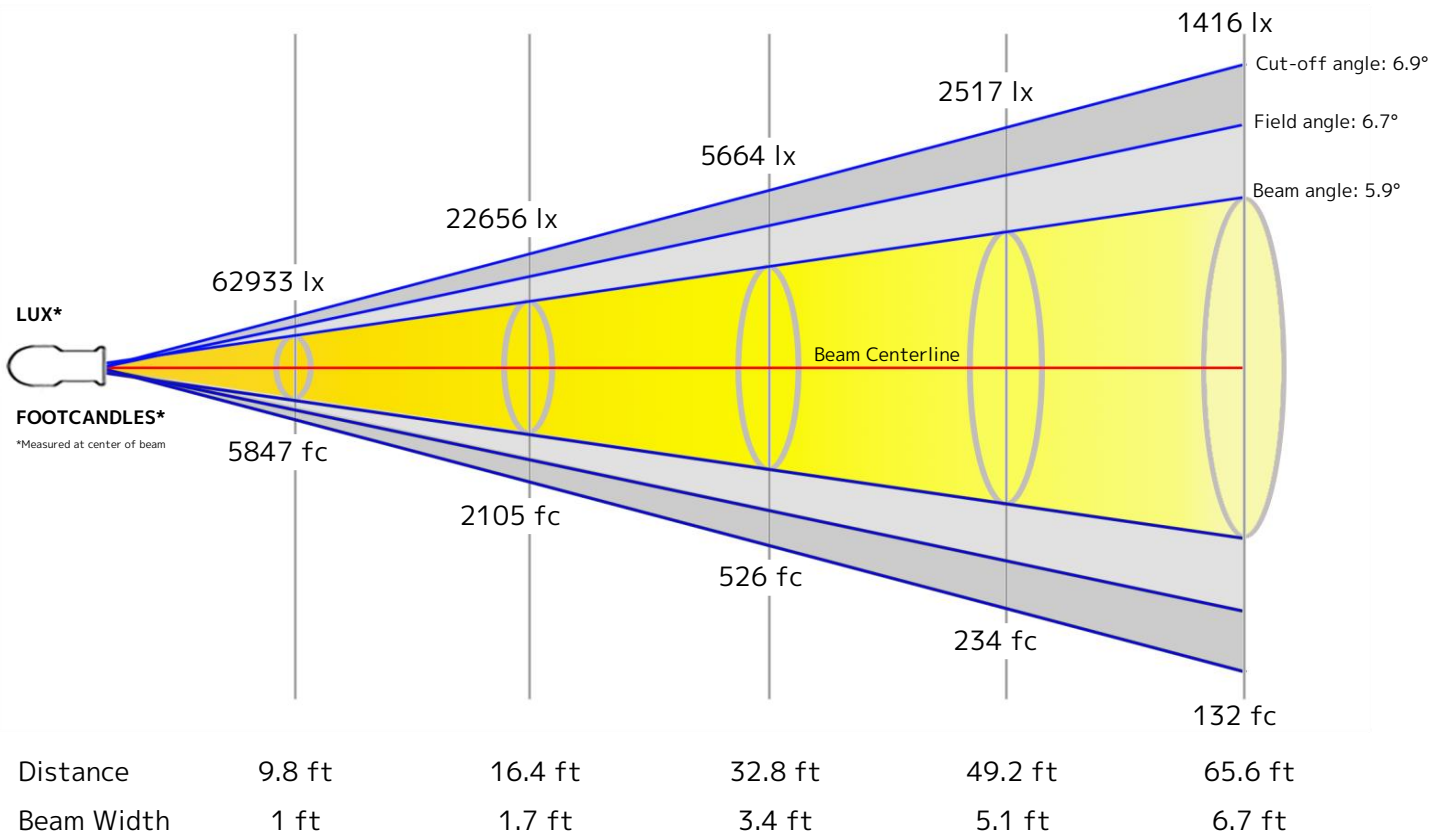
Color Temperature: 4463 K
CRI: 93.2
TLCI: 91
TM30 R_F: 90.9
TM30 R_g: 104.8

Power Details

Efficacy: 16 Lumen/Watt
Power: 289 W
Supply Voltage: 119 V
Current: 2.43 A

Beam Details

Distance	3 m	5 m	10 m	15 m	20 m
Beam Width	0.3 m	0.5 m	1 m	1.5 m	2.1 m



Beam Intensities from 1-20m

M	1	2	3	4	5	6	7	8	9	10	11	12	13	14	15	16	17	18	19	20
LX	566394	141599	62933	35400	22656	15733	11559	8850	6993	5664	4681	3933	3351	2890	2517	2212	1960	1748	1569	1416
FT	3.3	6.6	9.8	13.1	16.4	19.7	23	26.2	29.5	32.8	36.1	39.4	42.7	45.9	49.2	52.5	55.8	59.1	62.3	65.6
FC	52619.8	13154.9	5846.6	3288.7	2104.8	1461.7	1073.9	822.2	649.6	526.2	434.9	365.4	311.4	268.5	233.9	205.5	182.1	162.4	145.8	131.5

Key Measurements

Output

Total Lumen Output: 4817 lm
Peak Intensity: 595018 cd

Beam

Beam Angle (50%): 5.9°
Field Angle (10%): 6.7°
Cutoff Angle (2.5%): 6.9°

Color

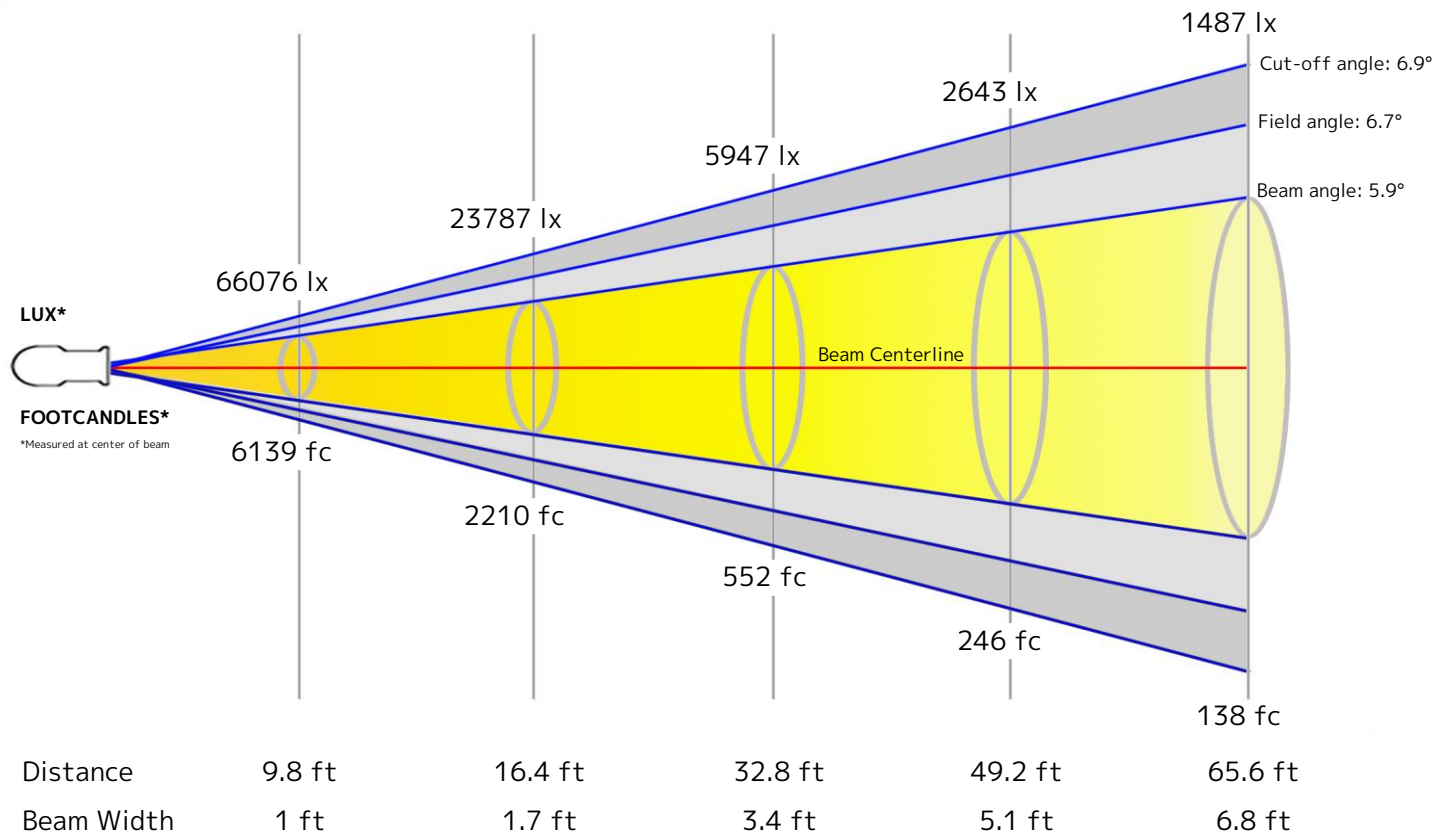
Color Temperature: 5613 K
CRI: 92.7
TLCI: 92
TM30 R_F: 89.8
TM30 R_g: 104.4

Power Details

Efficacy: 15 Lumen/Watt
Power: 315 W
Supply Voltage: 119 V
Current: 2.65 A

Beam Details

Distance	3 m	5 m	10 m	15 m	20 m
Beam Width	0.3 m	0.5 m	1 m	1.5 m	2.1 m



Beam Intensities from 1-20m

M	1	2	3	4	5	6	7	8	9	10	11	12	13	14	15	16	17	18	19	20
LX	594686	148671	66076	37168	23787	16519	12136	9292	7342	5947	4915	4130	3519	3034	2643	2323	2058	1835	1647	1487
FT	3.3	6.6	9.8	13.1	16.4	19.7	23	26.2	29.5	32.8	36.1	39.4	42.7	45.9	49.2	52.5	55.8	59.1	62.3	65.6
FC	55248.1	13812	6138.7	3453	2209.9	1534.7	1127.5	863.3	682.1	552.5	456.6	383.7	326.9	281.9	245.5	215.8	191.2	170.5	153	138.1

Key Measurements

Output

Total Lumen Output: 4872 lm
Peak Intensity: 598088 cd

Beam

Beam Angle (50%): 5.9°
Field Angle (10%): 7.1°
Cutoff Angle (2.5%): 7.8°

Color

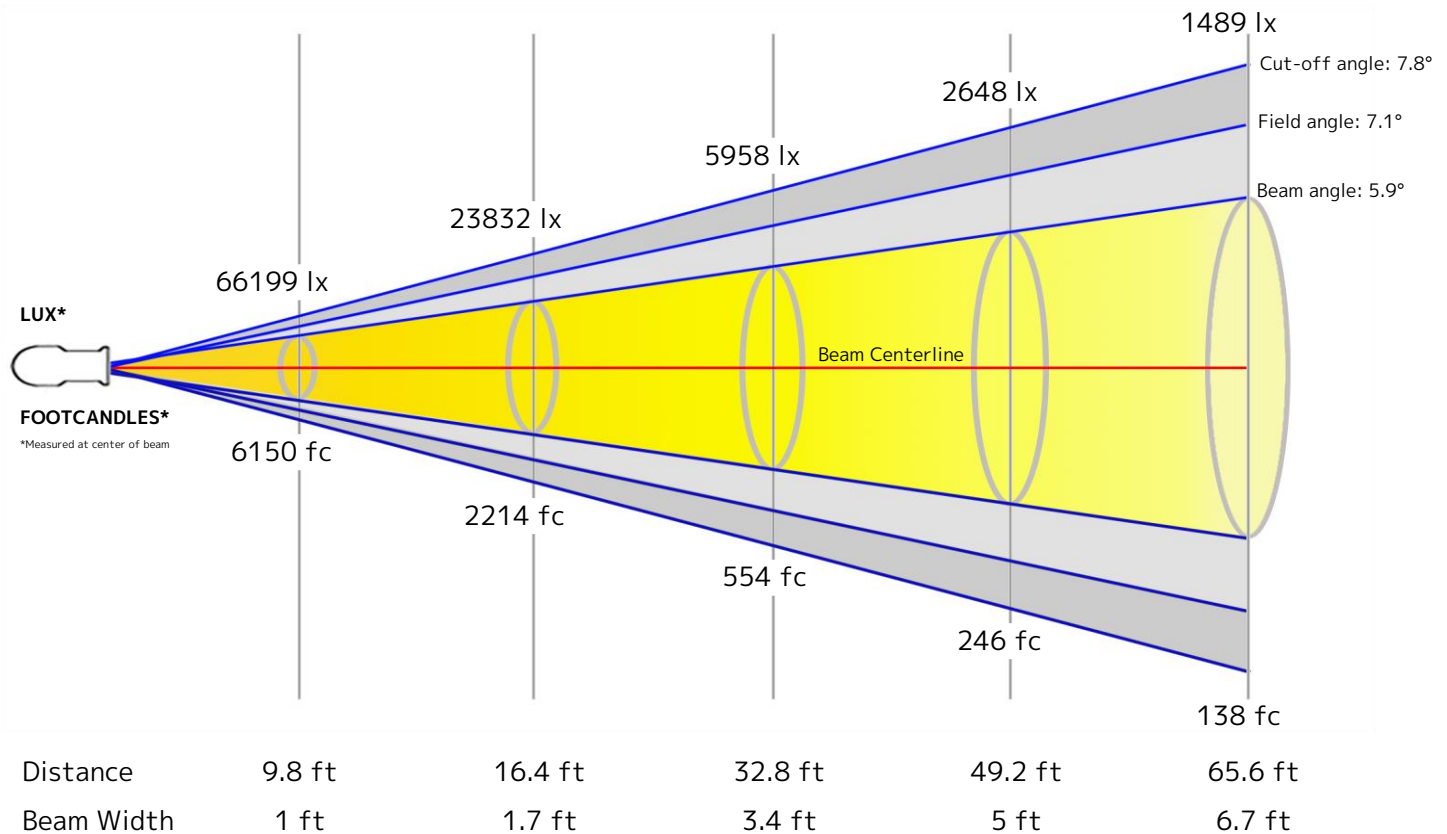
Color Temperature: 5971 K
CRI: 92.7
TLCI: 93
TM30 R_F: 89.6
TM30 R_g: 104.1

Power Details

Efficacy: 15 Lumen/Watt
Power: 323 W
Supply Voltage: 119 V
Current: 2.72 A

Beam Details

Distance	3 m	5 m	10 m	15 m	20 m
Beam Width	0.3 m	0.5 m	1 m	1.5 m	2 m



Beam Intensities from 1-20m

M	1	2	3	4	5	6	7	8	9	10	11	12	13	14	15	16	17	18	19	20
LX	595792	148948	66199	37237	23832	16550	12159	9309	7355	5958	4924	4137	3525	3040	2648	2327	2062	1839	1650	1489
FT	3.3	6.6	9.8	13.1	16.4	19.7	23	26.2	29.5	32.8	36.1	39.4	42.7	45.9	49.2	52.5	55.8	59.1	62.3	65.6
FC	55350.8	13837.7	6150.1	3459.4	2214	1537.5	1129.6	864.9	683.3	553.5	457.4	384.4	327.5	282.4	246	216.2	191.5	170.8	153.3	138.4

Key Measurements

Output

Total Lumen Output: 4838 lm
Peak Intensity: 597176 cd

Beam

Beam Angle (50%): 5.9°
Field Angle (10%): 6.7°
Cutoff Angle (2.5%): 6.9°

Color

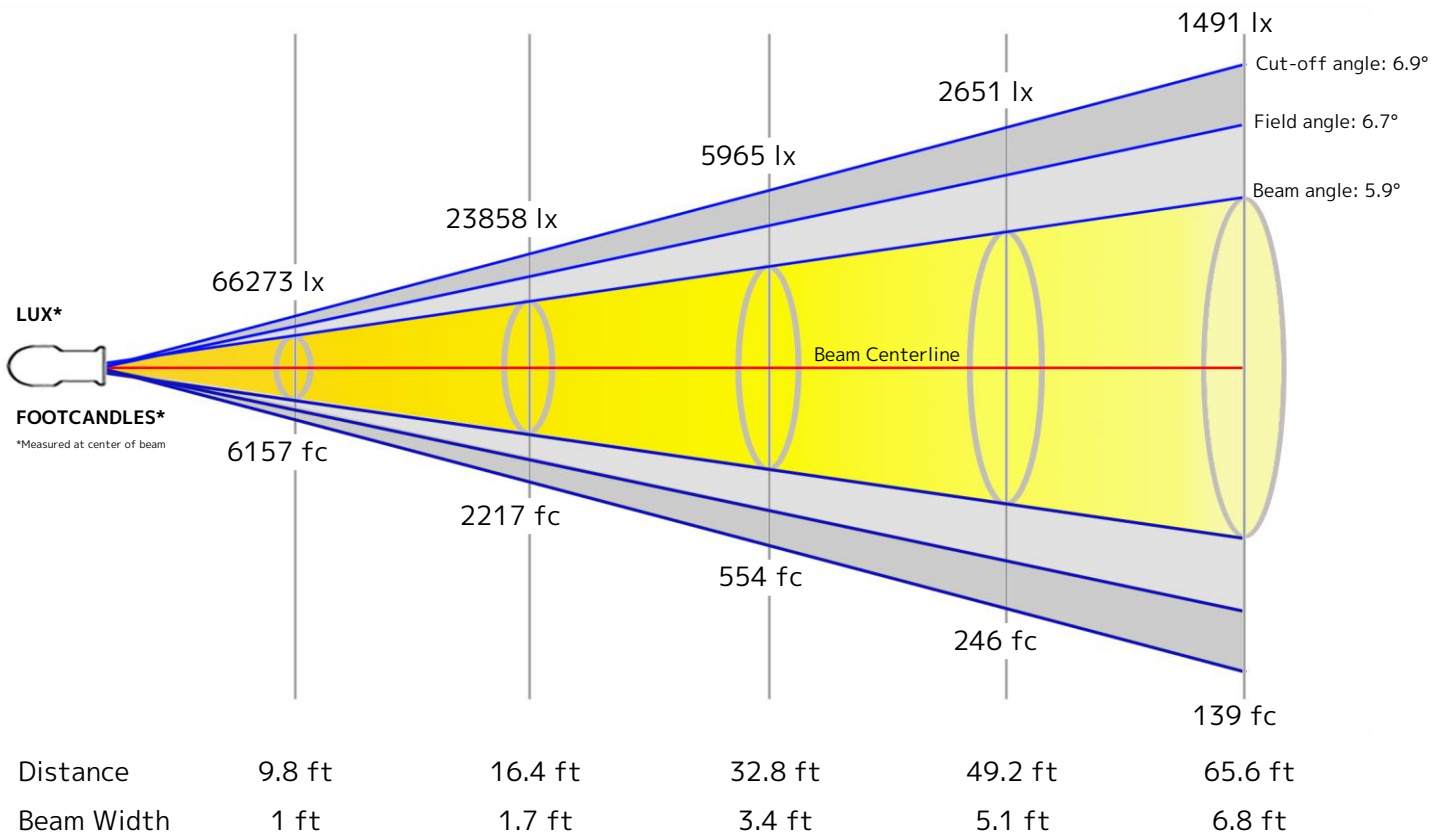
Color Temperature: 6587 K
CRI: 92.7
TLCI: 93
TM30 R_F: 89.0
TM30 R_g: 102.4

Power Details

Efficacy: 15 Lumen/Watt
Power: 326.9 W
Supply Voltage: 119 V
Current: 2.75 A

Beam Details

Distance	3 m	5 m	10 m	15 m	20 m
Beam Width	0.3 m	0.5 m	1 m	1.5 m	2.1 m



Beam Intensities from 1-20m

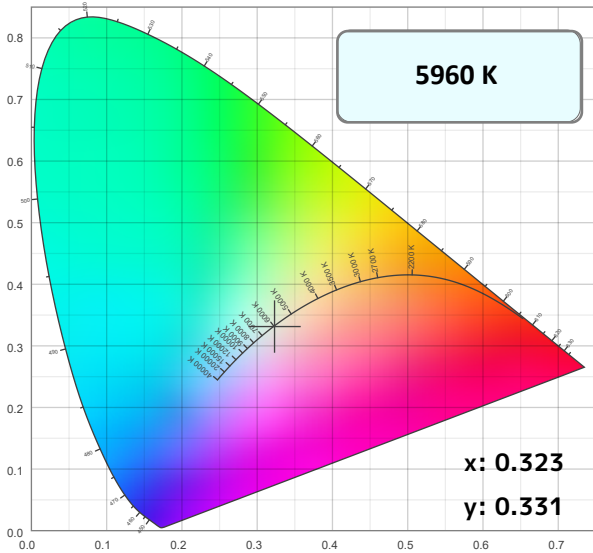
M	1	2	3	4	5	6	7	8	9	10	11	12	13	14	15	16	17	18	19	20
LX	596459	149115	66273	37279	23858	16568	12173	9320	7364	5965	4929	4142	3529	3043	2651	2330	2064	1841	1652	1491
FT	3.3	6.6	9.8	13.1	16.4	19.7	23	26.2	29.5	32.8	36.1	39.4	42.7	45.9	49.2	52.5	55.8	59.1	62.3	65.6
FC	55412.8	13853.2	6157	3463.3	2216.5	1539.2	1130.9	865.8	684.1	554.1	458	384.8	327.9	282.7	246.3	216.5	191.7	171	153.5	138.5

Color Temperature: 5960K

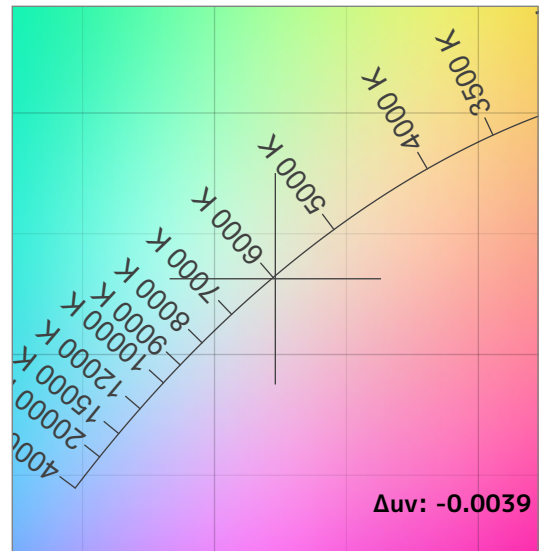
Accuracy Metric Overview

Color Rendering Index	Color Rendering Index, R9 (Red Component)	TM-30 Color Fidelity	TM-30 Color Gamut	Television Lighting Consistency Index	Color Quality Scale	Color Coordinate- CIE 1931	Color Coordinate- CIE 1931	Deviation from Black Body Locus	SSI [CIE A] Tungsten	SSI [CIE D65] Daylight
CRI	CRI R9	TM30 R _f	TM30 R _g	TLCI	CQS	x	Y	Δuv	SSIt	SSId
90.2	58.9	89.4	106.4	93	91.9	0.323	0.331	-0.0039	28	53

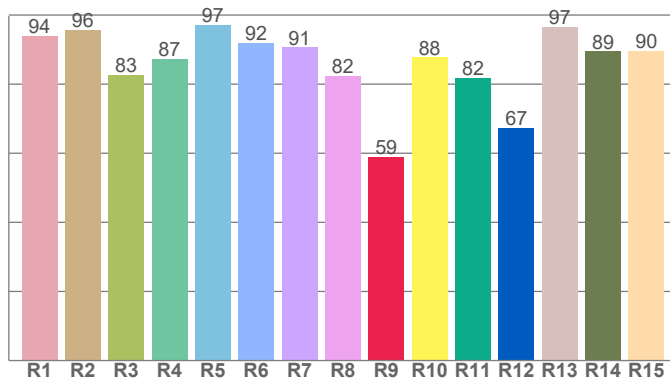
CIE 1931



CIE 1931 ZOOMED

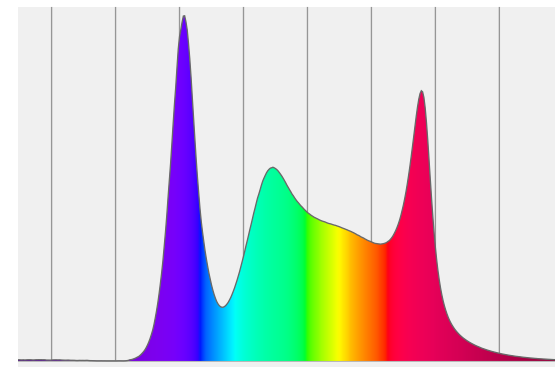


CRI: 90.2 (R1-R8)



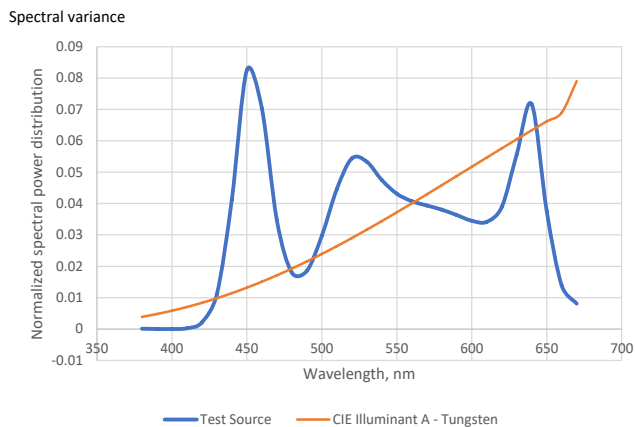
Spectral power distribution (SPD)

Dominant Wavelength 595 nm



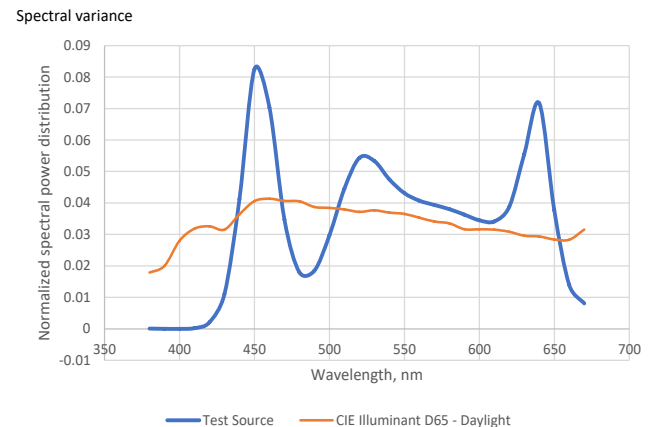
SSI Spectral Variance Graph- Tungsten

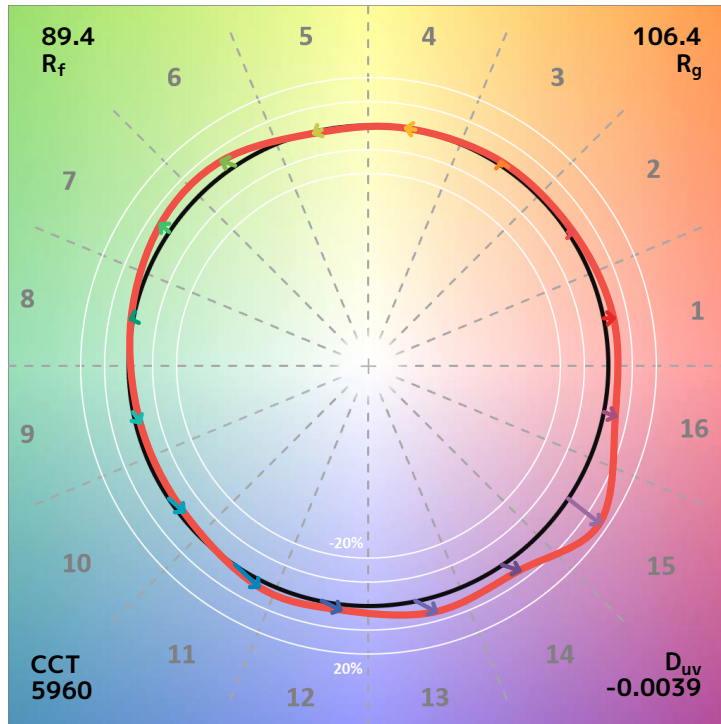
SSI [CIE A] 28



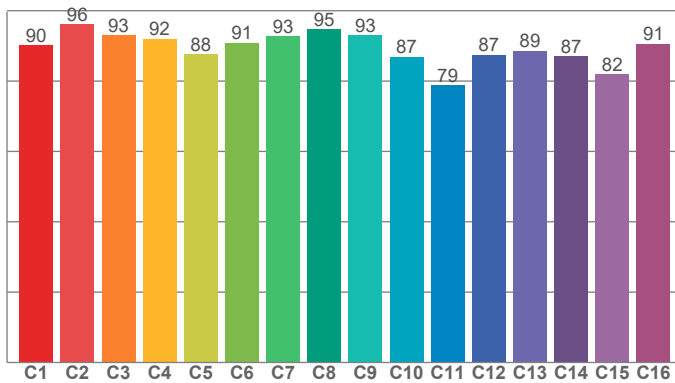
SSI Spectral Variance Graph- Daylight

SSI [CIE D65] 53

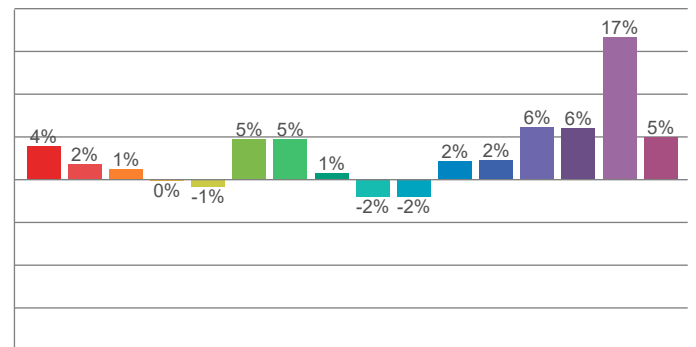




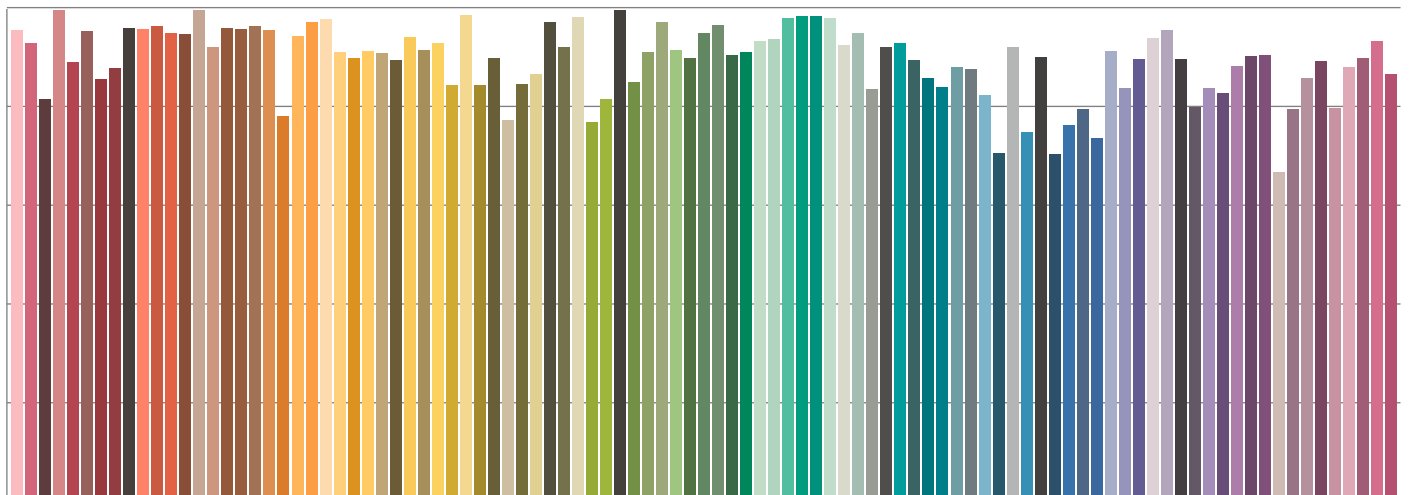
TM30-18 R_f Values per Hue Bin



TM30 Chroma Shift per Hue Bin



TM30-18 R_f Values per Reference Color (CES)

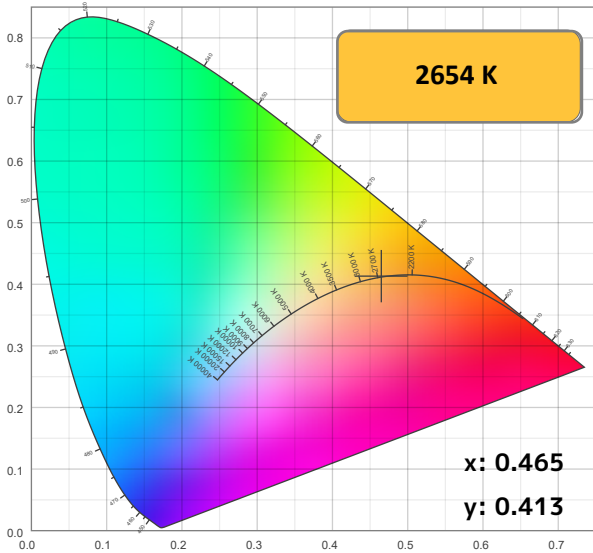


Color Temperature: 2654K

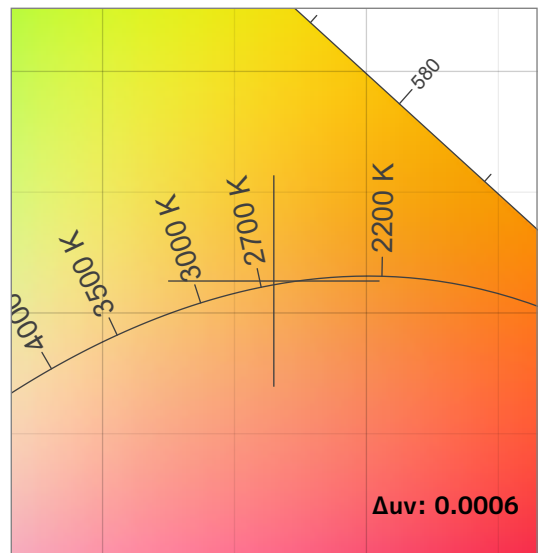
Accuracy Metric Overview

Color Rendering Index	Color Rendering Index, R9 (Red Component)	TM-30 Color Fidelity	TM-30 Color Gamut	Television Lighting Consistency Index	Color Quality Scale	Color Coordinate- CIE 1931	Color Coordinate- CIE 1931	Deviation from Black Body Locus	SSI [CIE A] Tungsten	SSI [CIE D65] Daylight
CRI	CRI R9	TM30 R _f	TM30 R _g	TLCI	CQS	x	Y	Δuv	SSIt	SSId
88.8	61.7	91.9	106.2	86	90.8	0.465	0.413	0.0006	60	9

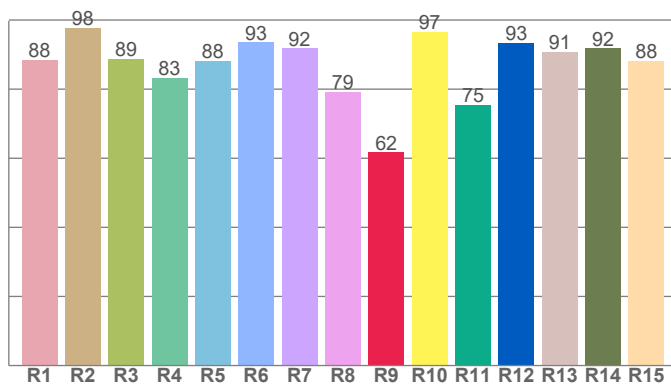
CIE 1931



CIE 1931 ZOOMED

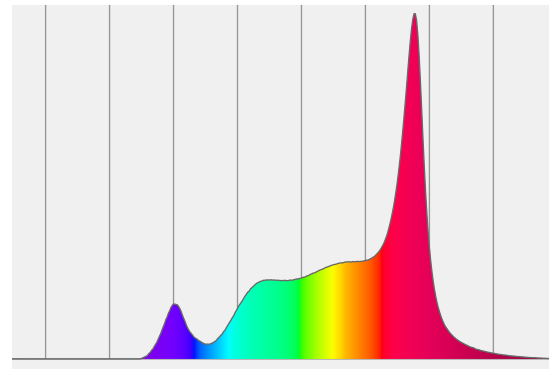


CRI: 88.8 (R1-R8)



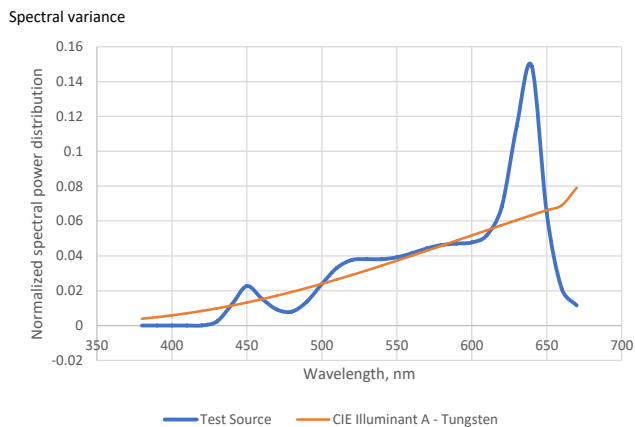
Spectral power distribution (SPD)

Dominant Wavelength 585 nm



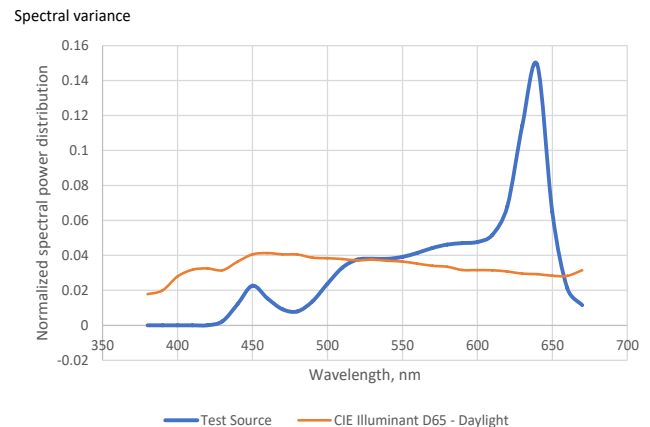
SSI Spectral Variance Graph- Tungsten

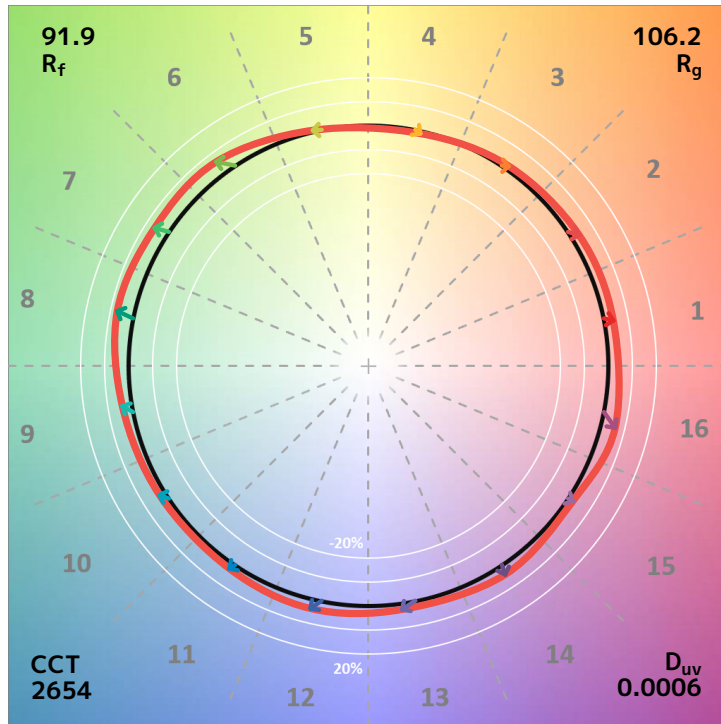
SSI [CIE A] 60



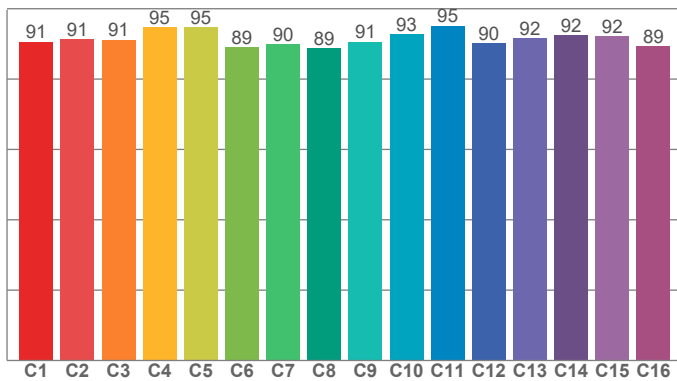
SSI Spectral Variance Graph- Daylight

SSI [CIE D65] 9

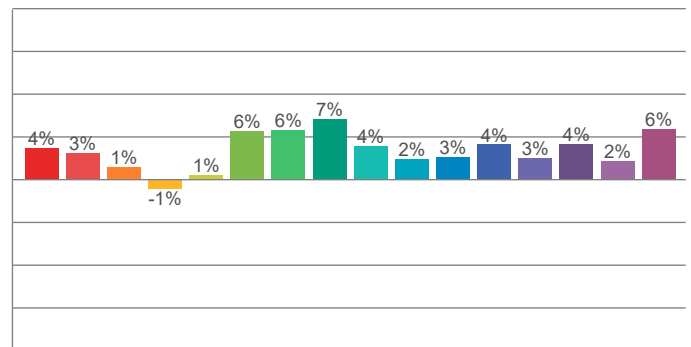




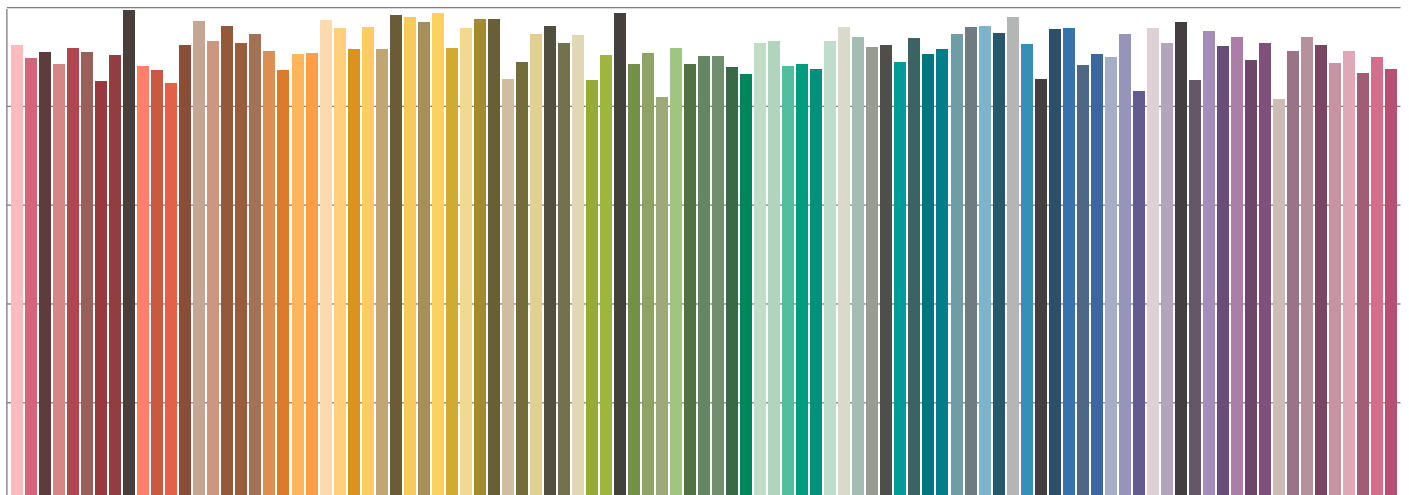
TM30-18 R_f Values per Hue Bin



TM30 Chroma Shift per Hue Bin



TM30-18 R_f Values per Reference Color (CES)

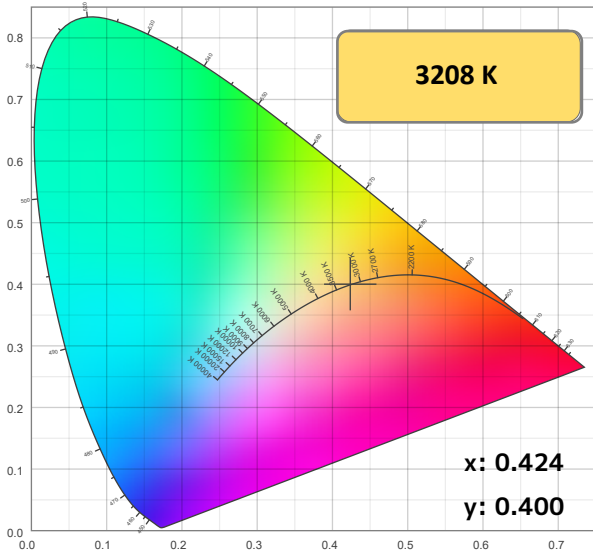


Color Temperature: 3208K

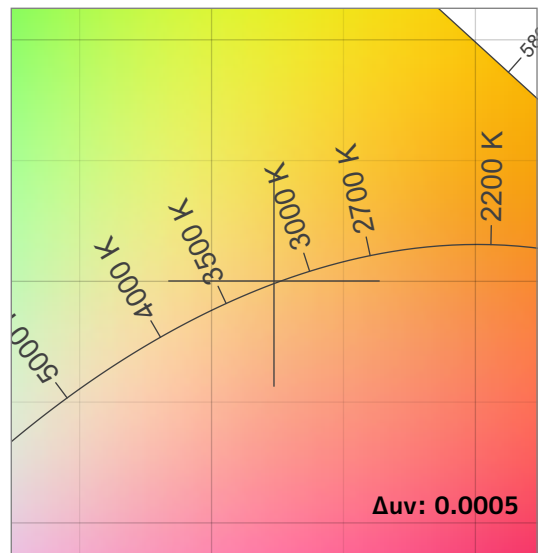
Accuracy Metric Overview

Color Rendering Index	Color Rendering Index, R9 (Red Component)	TM-30 Color Fidelity	TM-30 Color Gamut	Television Lighting Consistency Index	Color Quality Scale	Color Coordinate- CIE 1931	Color Coordinate- CIE 1931	Deviation from Black Body Locus	SSI [CIE A] Tungsten	SSI [CIE D65] Daylight
CRI	CRI R9	TM30 R _f	TM30 R _g	TLCI	CQS	x	Y	Δuv	SSIt	SSId
91.2	64.4	92.7	106.4	90	93.3	0.424	0.400	0.0005	64	27

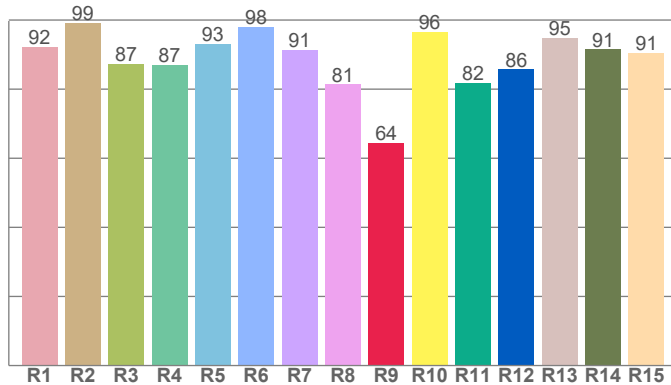
CIE 1931



CIE 1931 ZOOMED

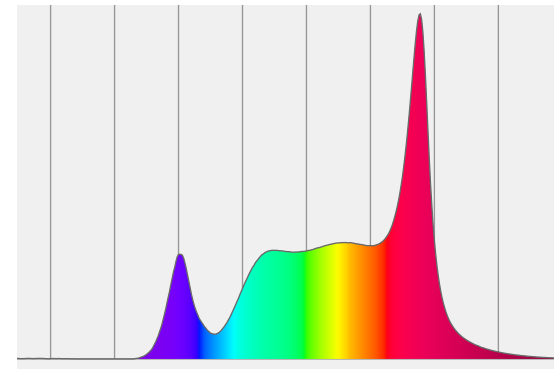


CRI: 91.2 (R1-R8)



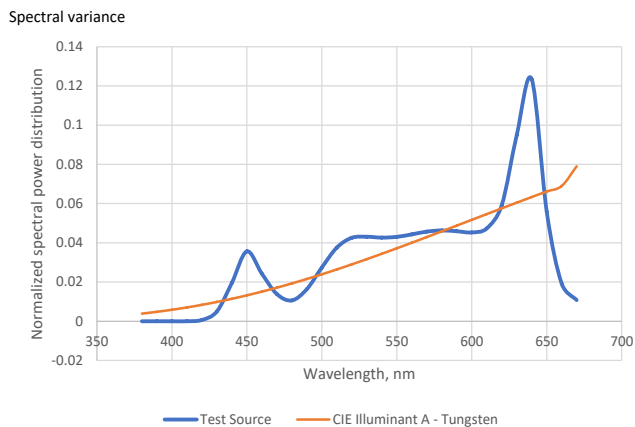
Spectral power distribution (SPD)

Dominant Wavelength 583 nm



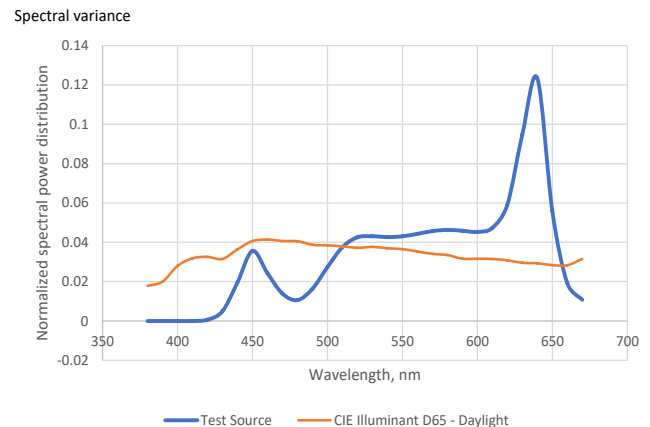
SSI Spectral Variance Graph- Tungsten

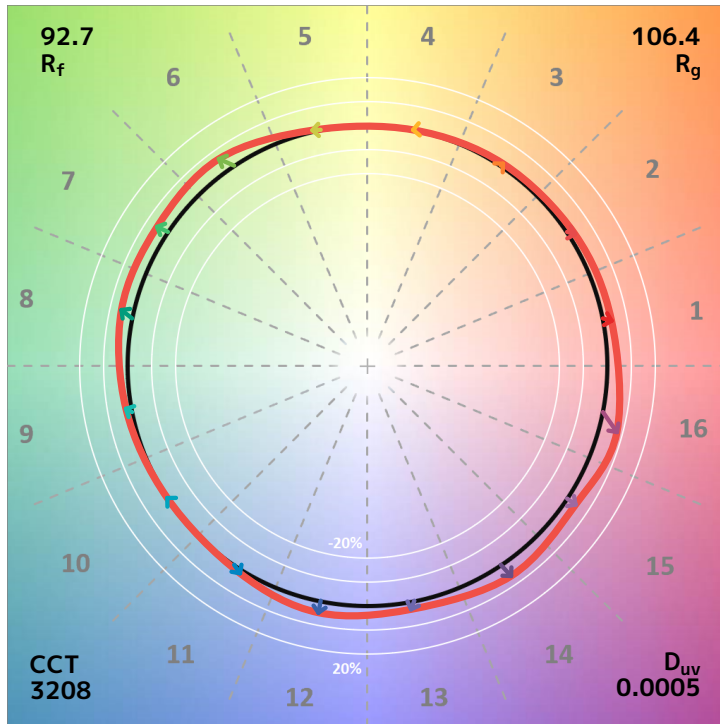
SSI [CIE A] 64



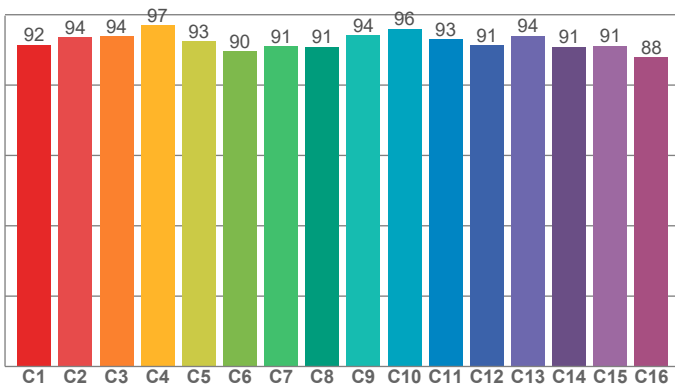
SSI Spectral Variance Graph- Daylight

SSI [CIE D65] 27

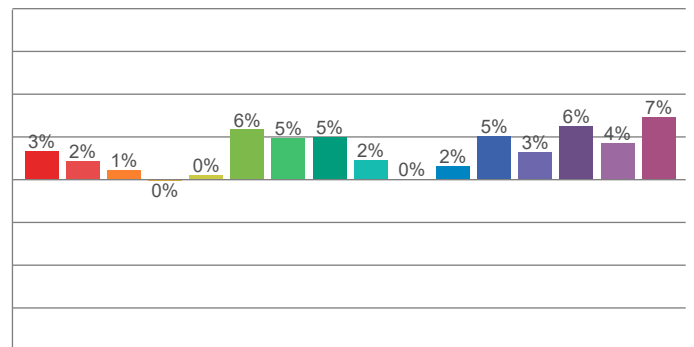




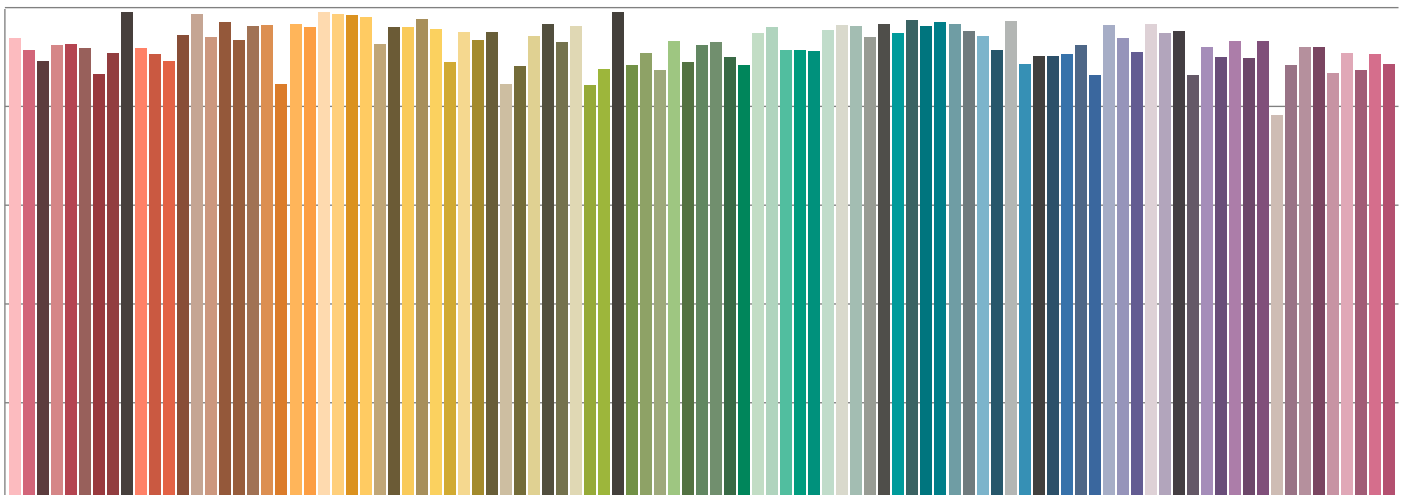
TM30-18 R_f Values per Hue Bin



TM30 Chroma Shift per Hue Bin



TM30-18 R_f Values per Reference Color (CES)

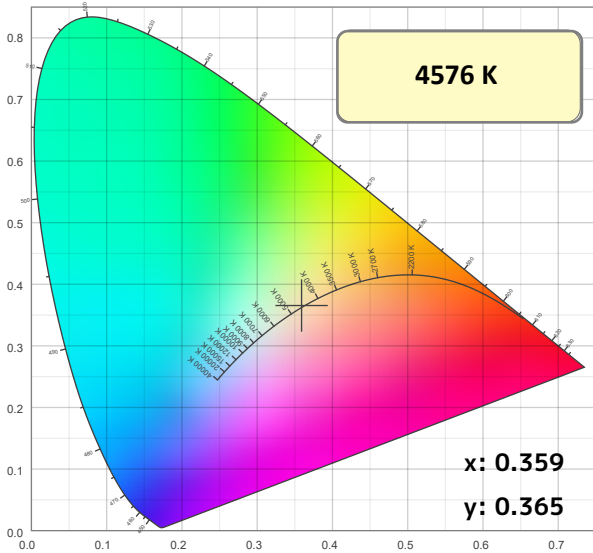


Color Temperature: 4576K

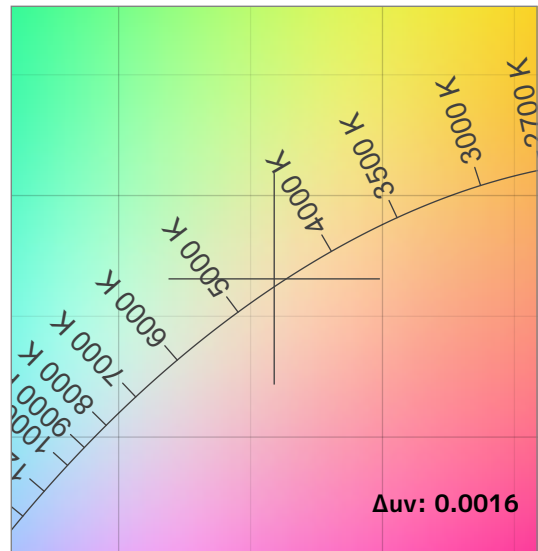
Accuracy Metric Overview

Color Rendering Index	Color Rendering Index, R9 (Red Component)	TM-30 Color Fidelity	TM-30 Color Gamut	Television Lighting Consistency Index	Color Quality Scale	Color Coordinate- CIE 1931	Color Coordinate- CIE 1931	Deviation from Black Body Locus	SSI [CIE A] Tungsten	SSI [CIE D65] Daylight
CRI	CRI R9	TM30 R _f	TM30 R _g	TLCI	CQS	x	Y	Δuv	SSIt	SSId
92.1	71.9	91.3	105.7	92	93.8	0.359	0.365	0.0016	48	48

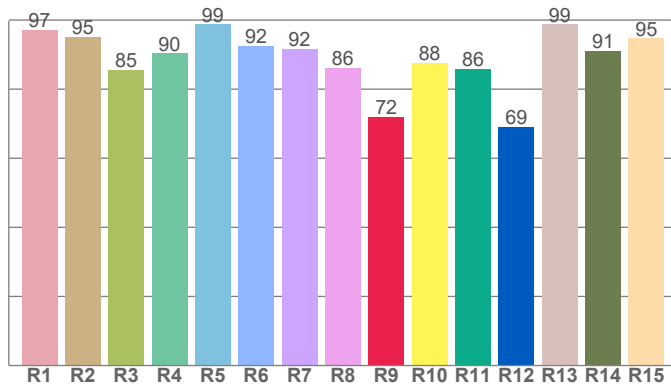
CIE 1931



CIE 1931 ZOOMED

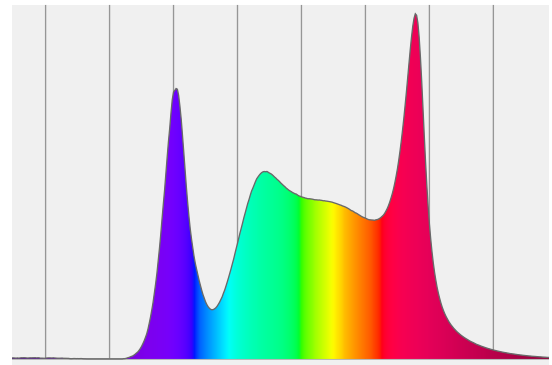


CRI: 92.1 (R1-R8)



Spectral power distribution (SPD)

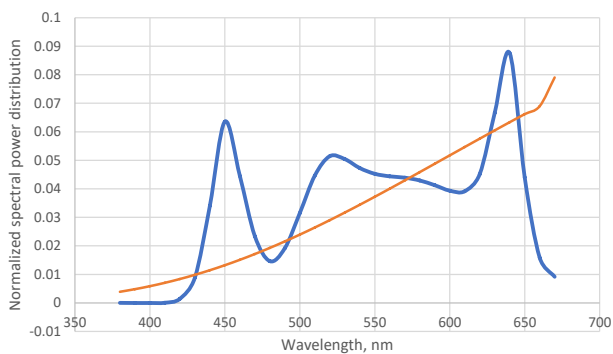
Dominant Wavelength 580 nm



SSI Spectral Variance Graph- Tungsten

SSI [CIE A] 48

Spectral variance

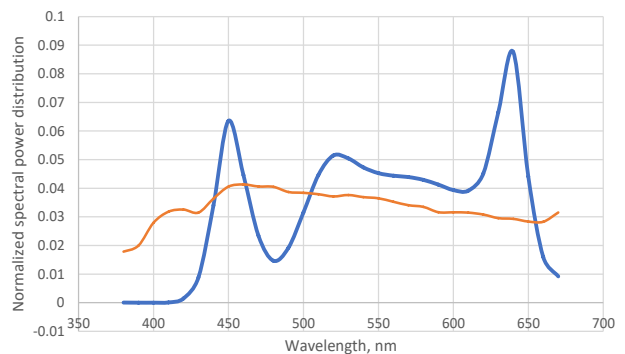


— Test Source — CIE Illuminant A - Tungsten

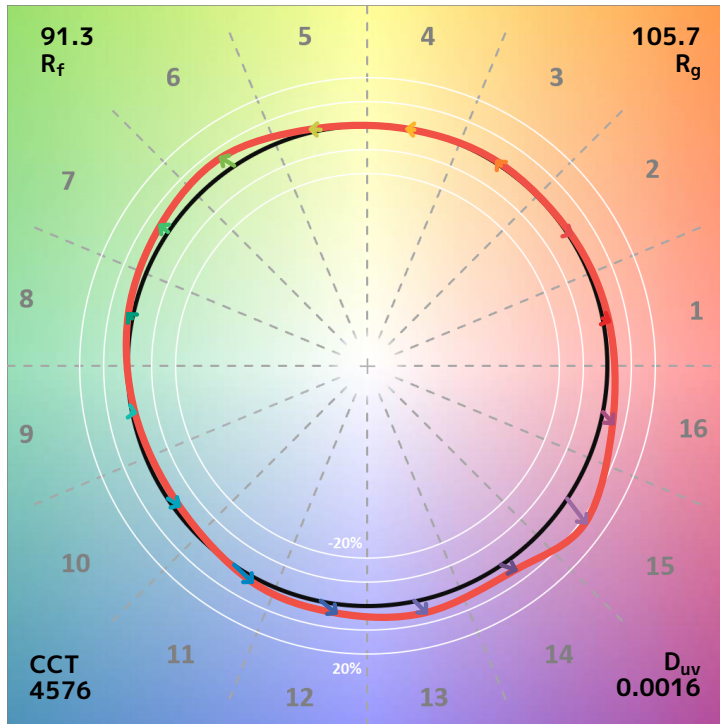
SSI Spectral Variance Graph- Daylight

SSI [CIE D65] 48

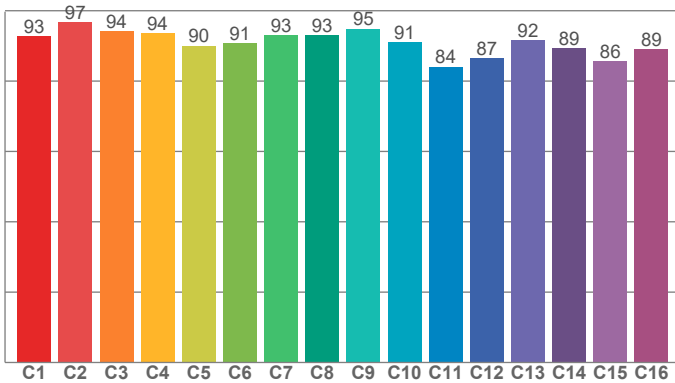
Spectral variance



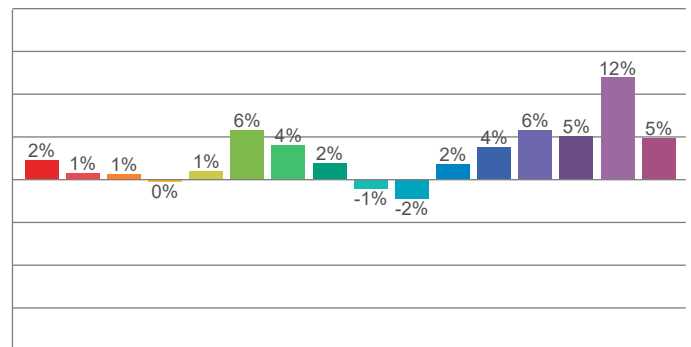
— Test Source — CIE Illuminant D65 - Daylight



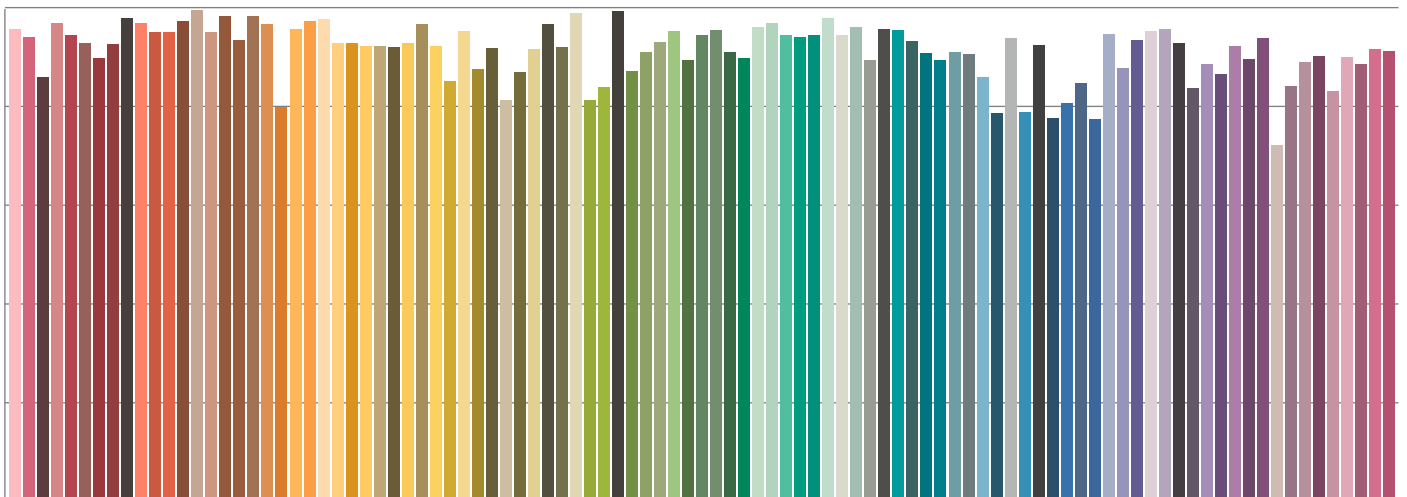
TM30-18 R_f Values per Hue Bin



TM30 Chroma Shift per Hue Bin



TM30-18 R_f Values per Reference Color (CES)

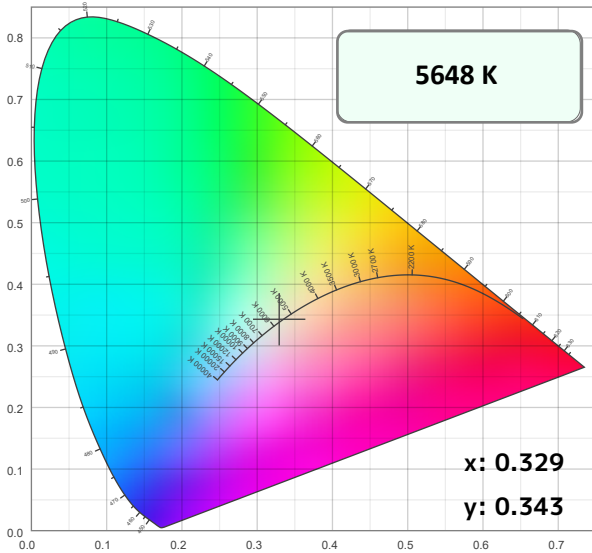


Color Temperature: 5648K

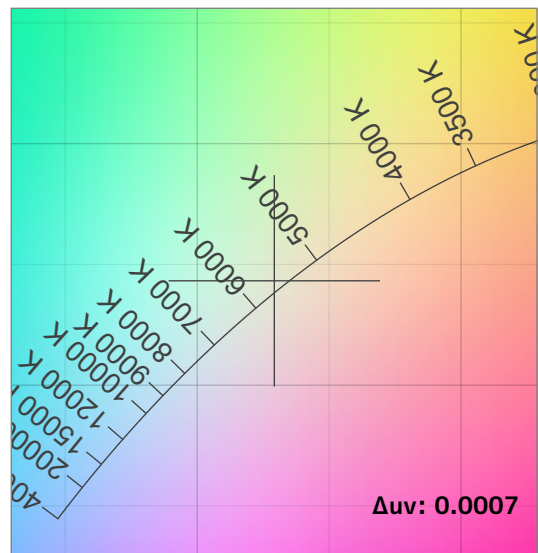
Accuracy Metric Overview

Color Rendering Index	Color Rendering Index, R9 (Red Component)	TM-30 Color Fidelity	TM-30 Color Gamut	Television Lighting Consistency Index	Color Quality Scale	Color Coordinate- CIE 1931	Color Coordinate- CIE 1931	Deviation from Black Body Locus	SSI [CIE A] Tungsten	SSI [CIE D65] Daylight
CRI	CRI R9	TM30 R _f	TM30 R _g	TLCI	CQS	x	Y	Δuv	SSIt	SSId
92.4	85.8	90.4	104.3	93	92.2	0.329	0.343	0.0007	34	55

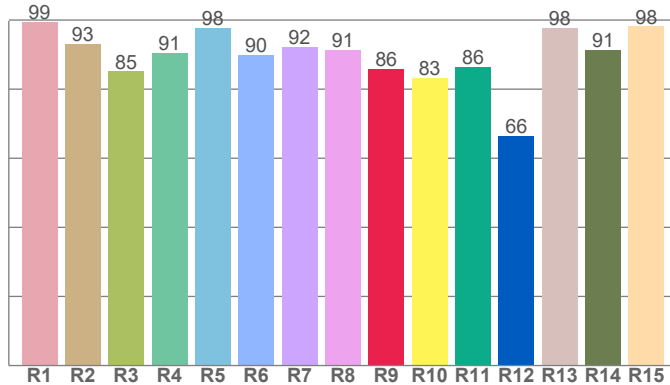
CIE 1931



CIE 1931 ZOOMED

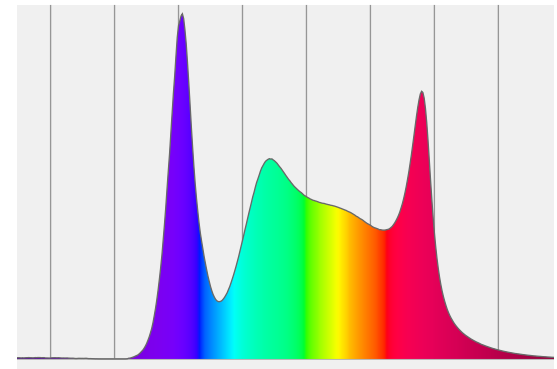


CRI: 92.4 (R1-R8)



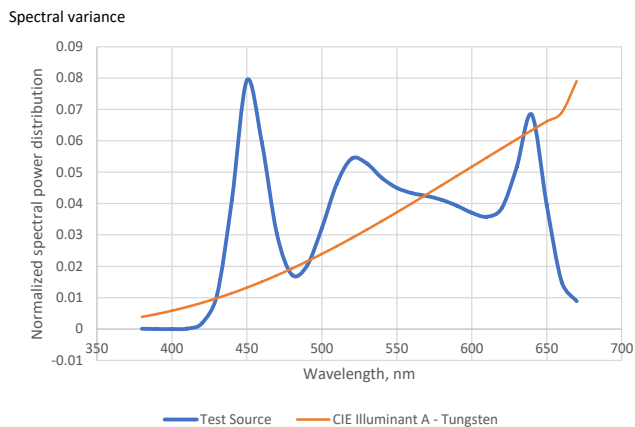
Spectral power distribution (SPD)

Dominant Wavelength 579 nm



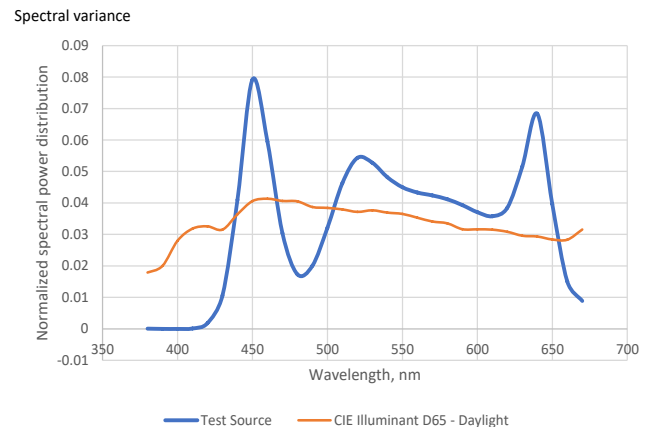
SSI Spectral Variance Graph- Tungsten

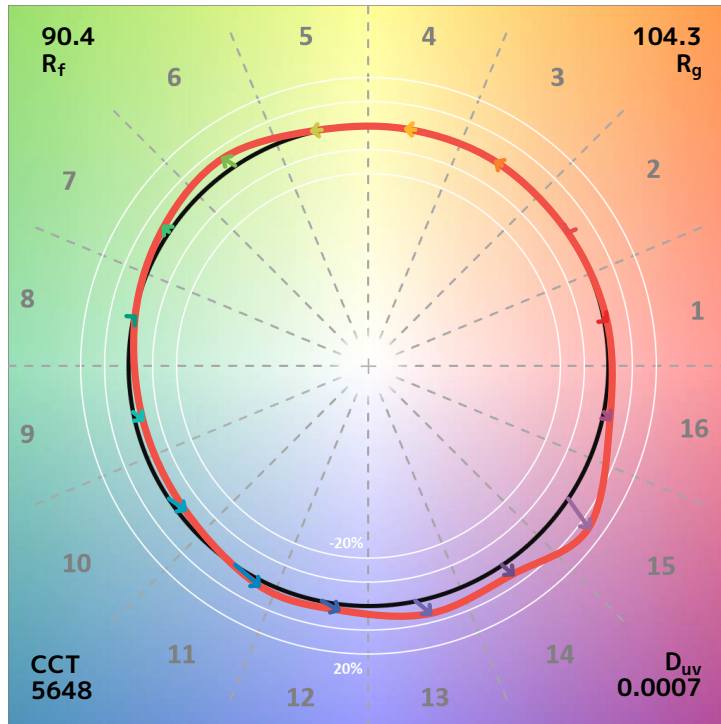
SSI [CIE A] 34



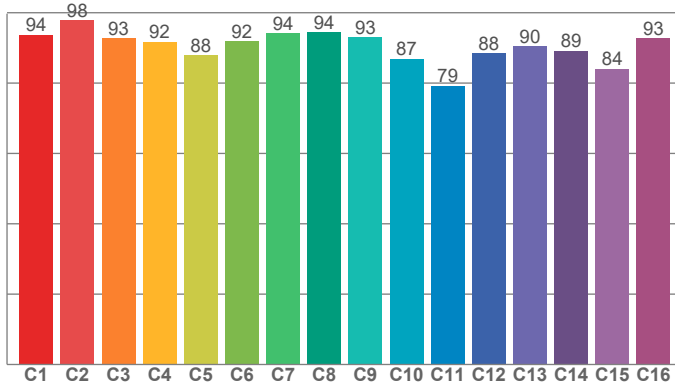
SSI Spectral Variance Graph- Daylight

SSI [CIE D65] 55

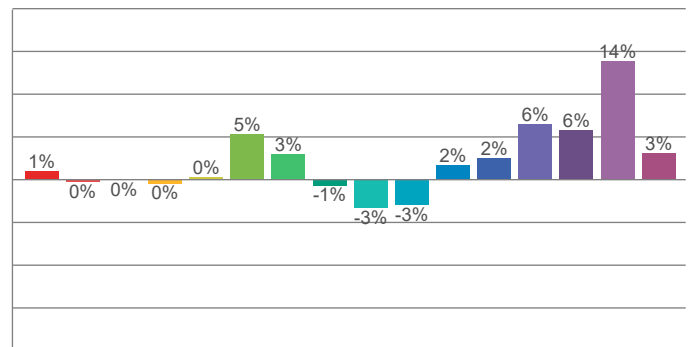




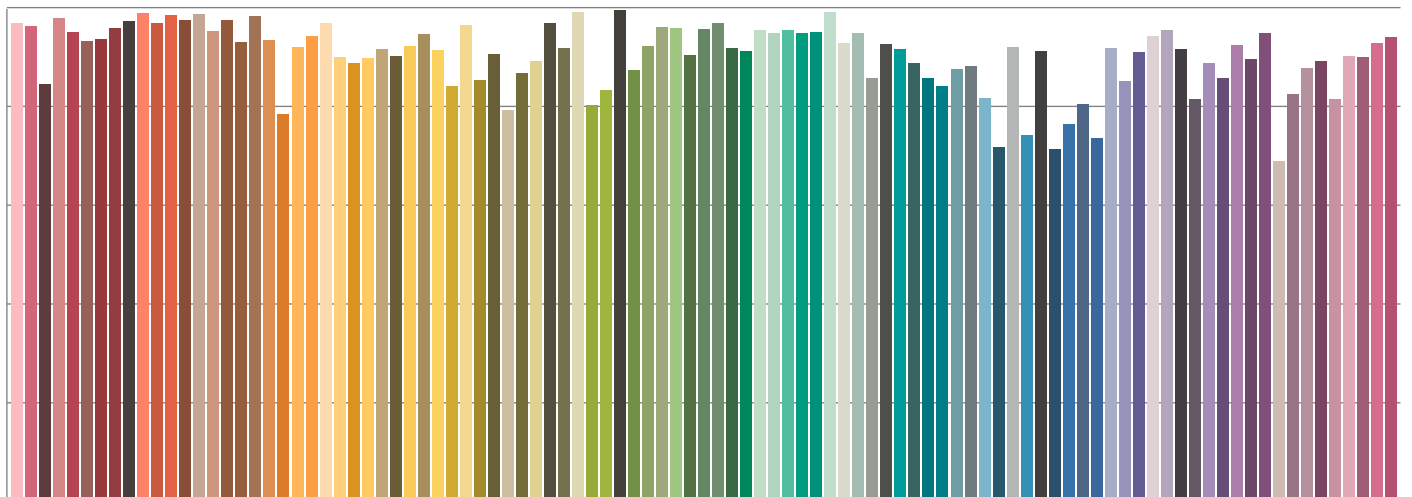
TM30-18 R_f Values per Hue Bin



TM30 Chroma Shift per Hue Bin



TM30-18 R_f Values per Reference Color (CES)

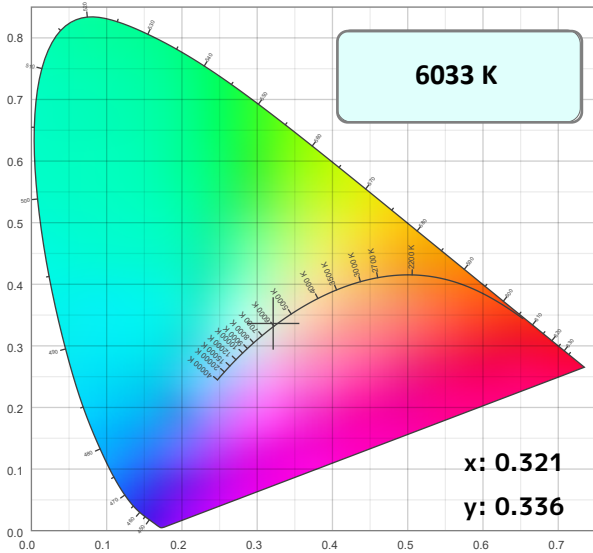


Color Temperature: 6033K

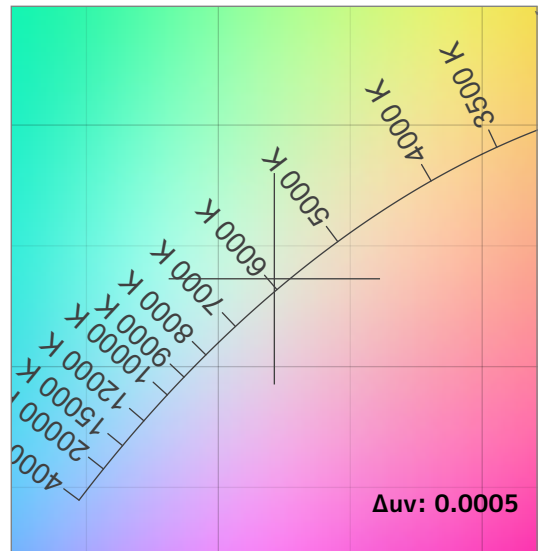
Accuracy Metric Overview

Color Rendering Index	Color Rendering Index, R9 (Red Component)	TM-30 Color Fidelity	TM-30 Color Gamut	Television Lighting Consistency Index	Color Quality Scale	Color Coordinate- CIE 1931	Color Coordinate- CIE 1931	Deviation from Black Body Locus	SSI [CIE A] Tungsten	SSI [CIE D65] Daylight
CRI	CRI R9	TM30 R _f	TM30 R _g	TLCI	CQS	x	Y	Δuv	SSIt	SSId
92.3	88.6	90.0	103.9	93	91.8	0.321	0.336	0.0005	29	55

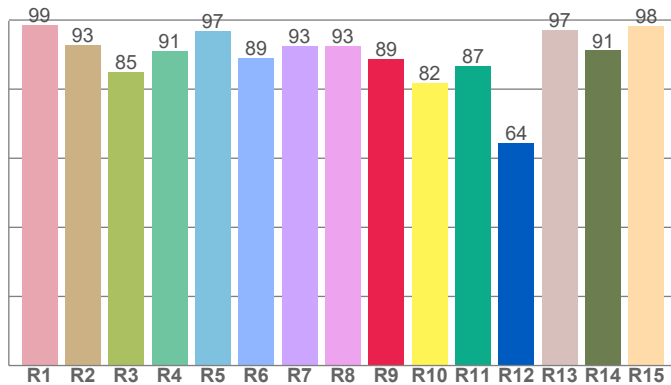
CIE 1931



CIE 1931 ZOOMED

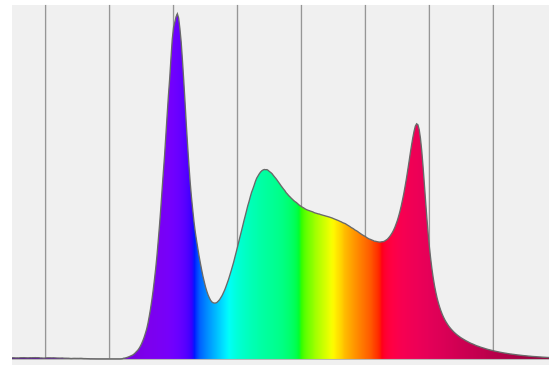


CRI: 92.3 (R1-R8)



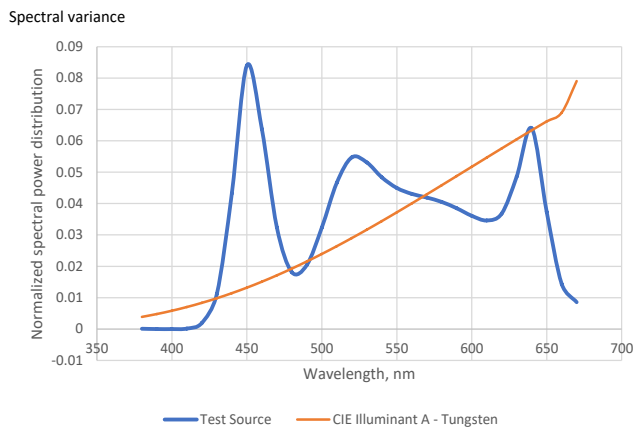
Spectral power distribution (SPD)

Dominant Wavelength 579 nm



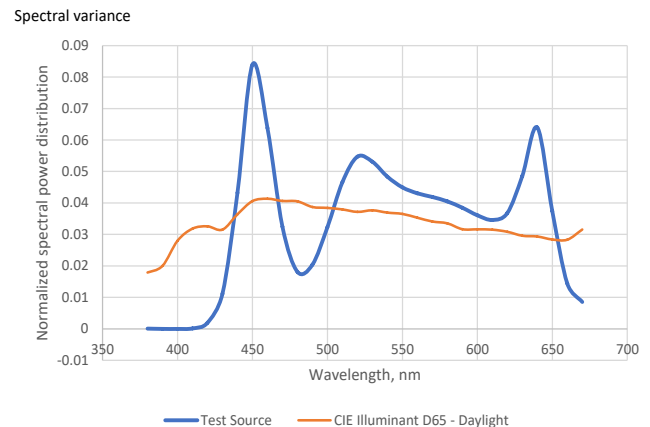
SSI Spectral Variance Graph- Tungsten

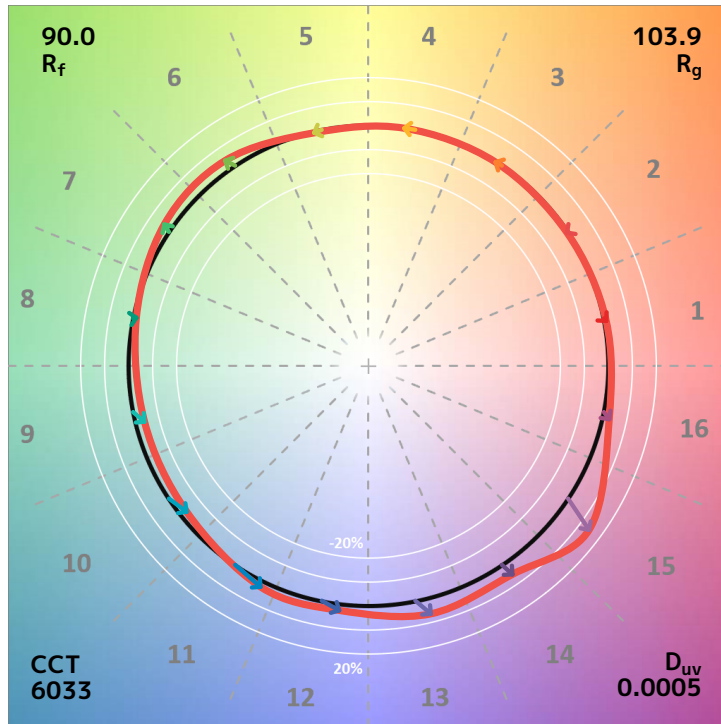
SSI [CIE A] 29



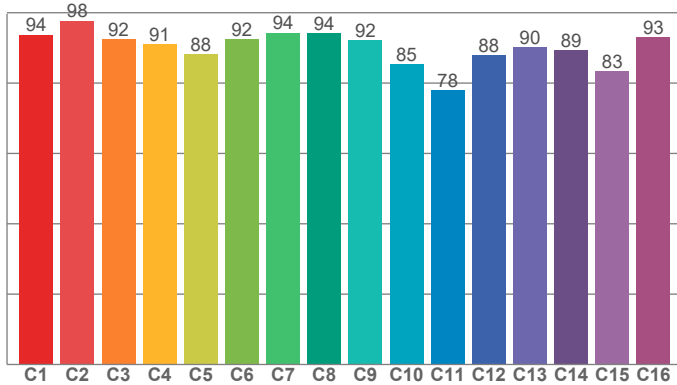
SSI Spectral Variance Graph- Daylight

SSI [CIE D65] 55

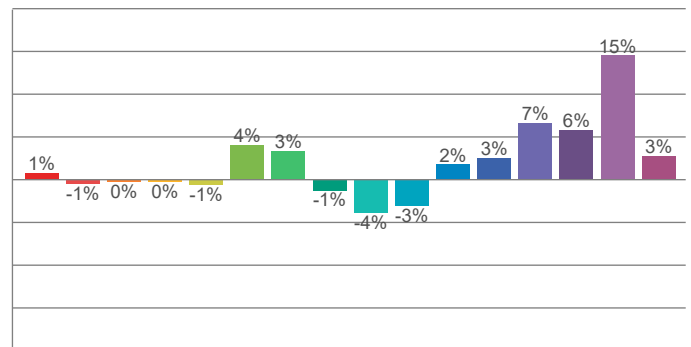




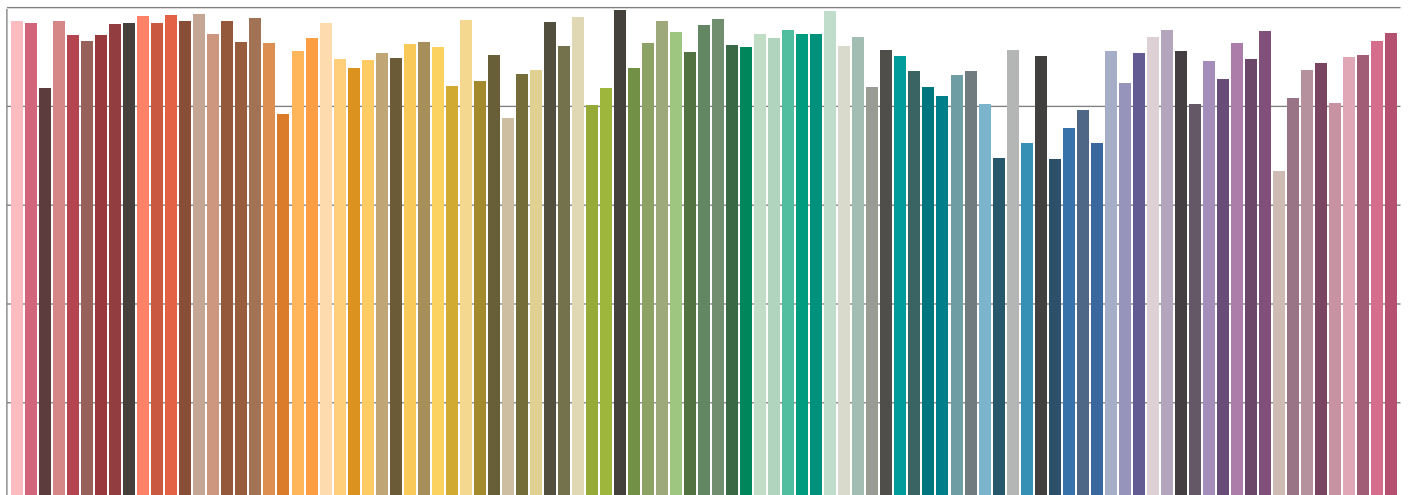
TM30-18 R_f Values per Hue Bin



TM30 Chroma Shift per Hue Bin



TM30-18 R_f Values per Reference Color (CES)

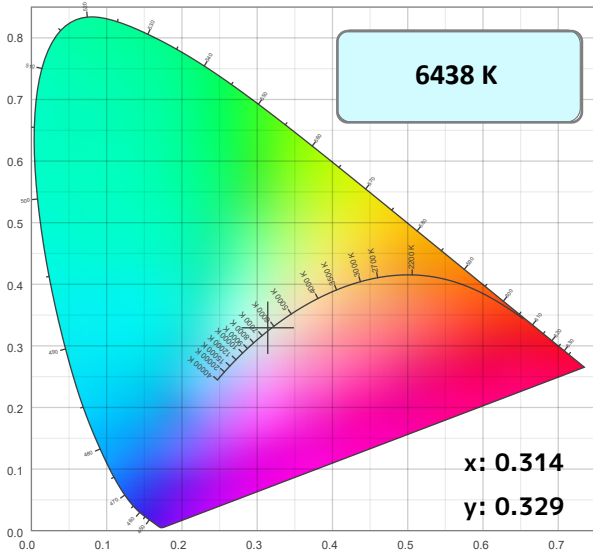


Color Temperature: 6438K

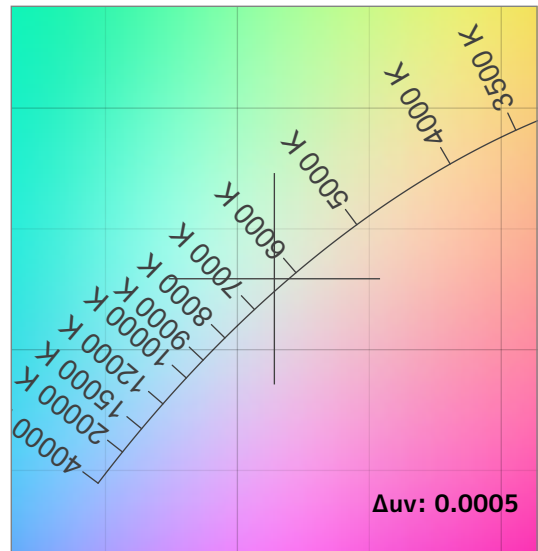
Accuracy Metric Overview

Color Rendering Index	Color Rendering Index, R9 (Red Component)	TM-30 Color Fidelity	TM-30 Color Gamut	Television Lighting Consistency Index	Color Quality Scale	Color Coordinate- CIE 1931	Color Coordinate- CIE 1931	Deviation from Black Body Locus	SSI [CIE A] Tungsten	SSI [CIE D65] Daylight
CRI	CRI R9	TM30 R _f	TM30 R _g	TLCI	CQS	x	Y	Δuv	SSIt	SSId
91.7	92.2	89.2	103.2	93	90.8	0.314	0.329	0.0005	24	55

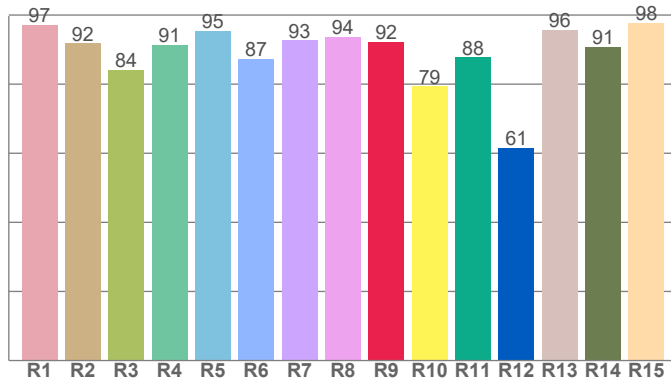
CIE 1931



CIE 1931 ZOOMED

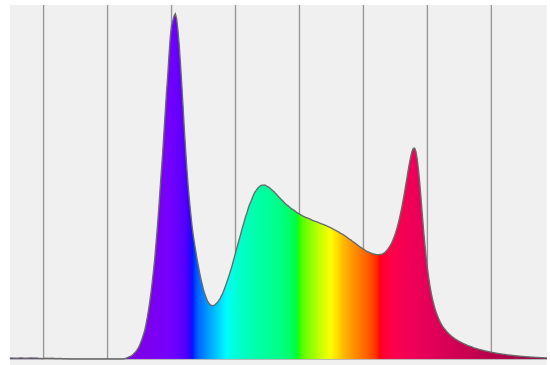


CRI: 91.7 (R1-R8)



Spectral power distribution (SPD)

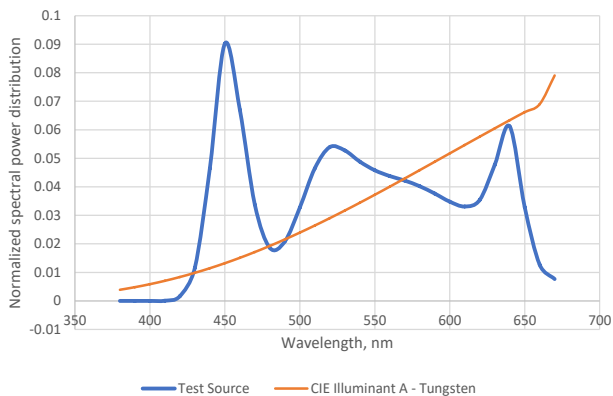
Dominant Wavelength 594 nm



SSI Spectral Variance Graph- Tungsten

SSI [CIE A] 24

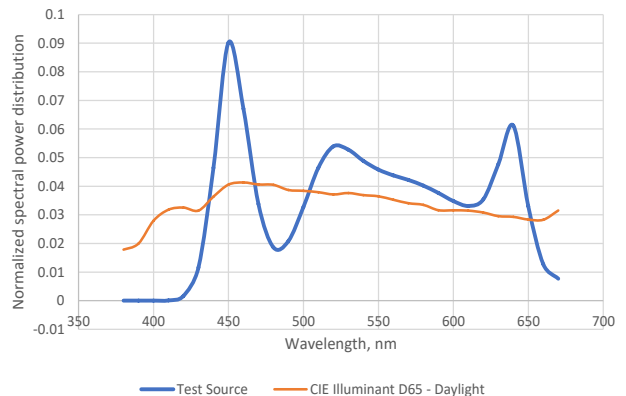
Spectral variance

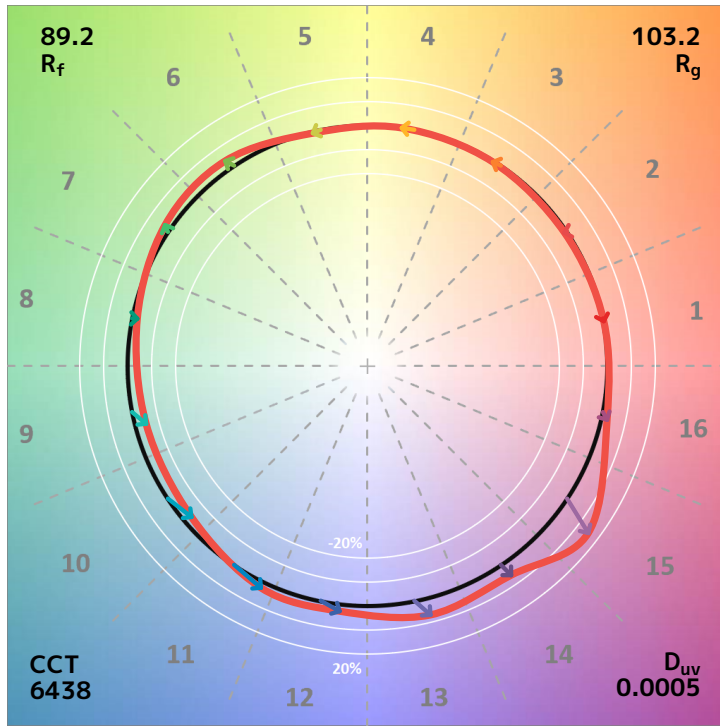


SSI Spectral Variance Graph- Daylight

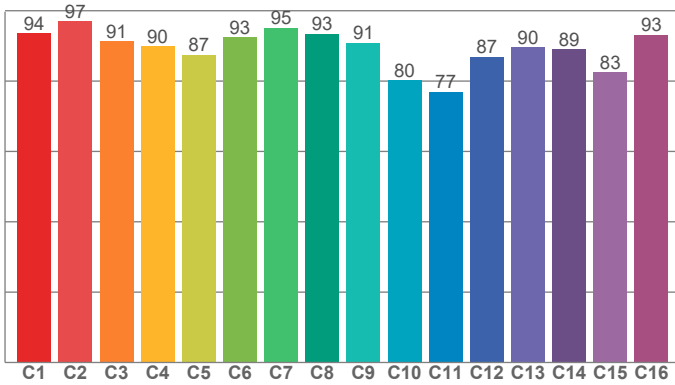
SSI [CIE D65] 55

Spectral variance

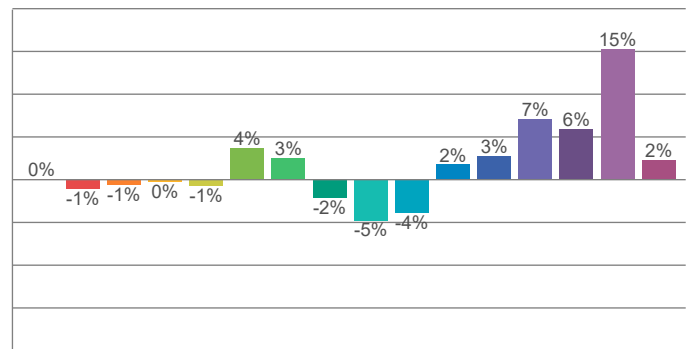




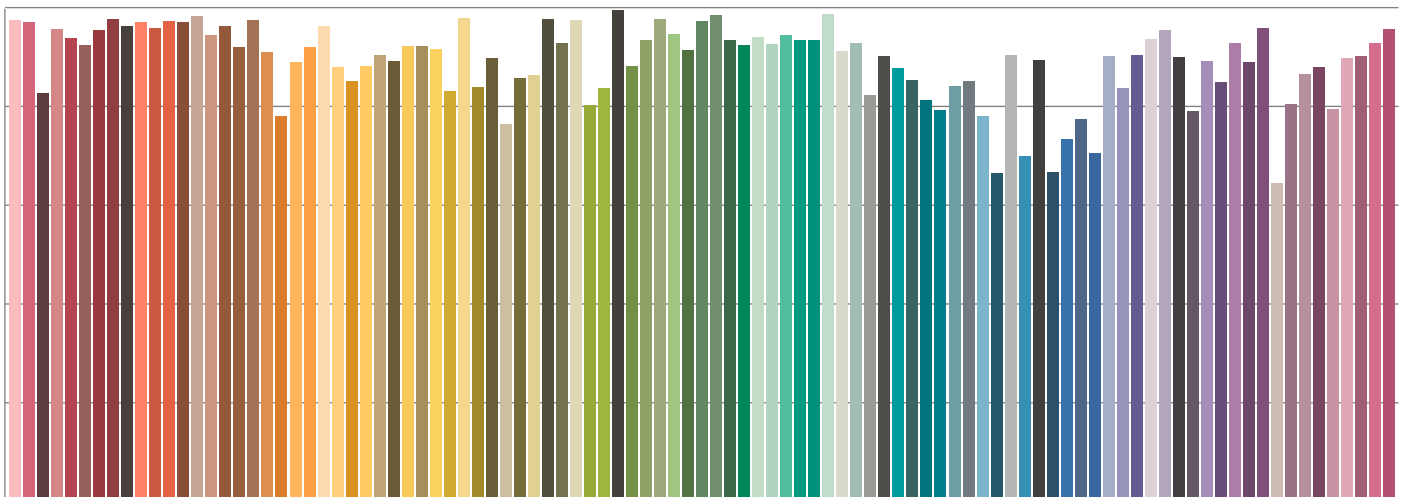
TM30-18 R_f Values per Hue Bin



TM30 Chroma Shift per Hue Bin



TM30-18 R_f Values per Reference Color (CES)



Measurements

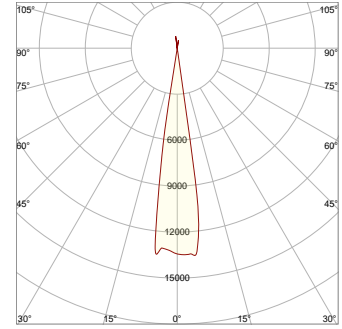
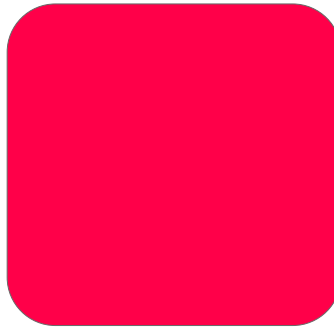
Total Lumen Output: 858 lm

Peak Intensity: 13473 cd

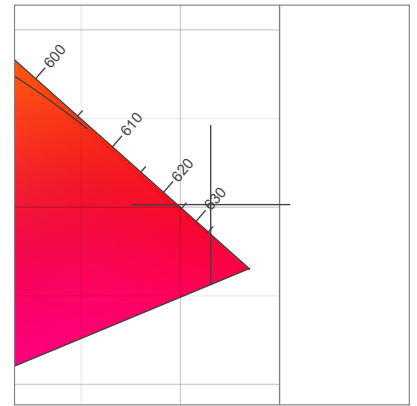
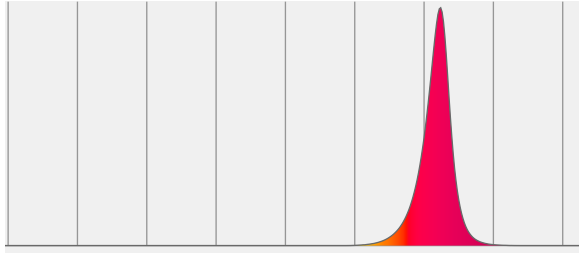
Efficacy: 14 Lumen/Watt

Power: 63.3 W

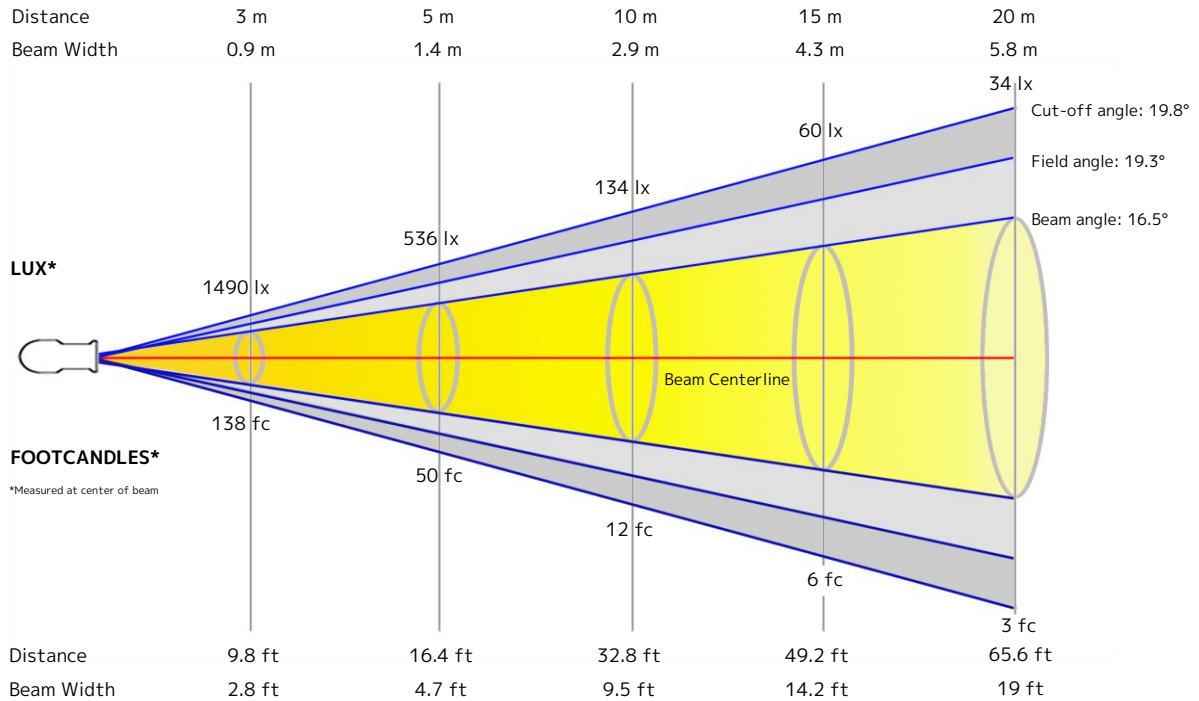
Voltage: 120 V, Current: 0.527 A



Spectral Power Distribution Dominant Wavelength 623 nm



Dominant Wavelength	Color Coordinate CIE 1931	Color Coordinate CIE1931	Color Coordinate CIE 1964	Color Coordinate CIE 1964
nm	x	y	u	v
623	0.715	0.301	0.552	0.349

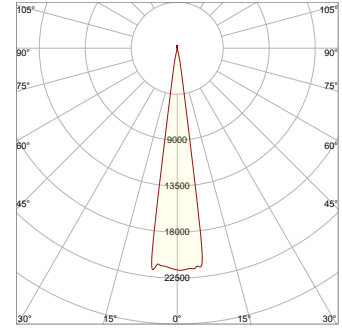
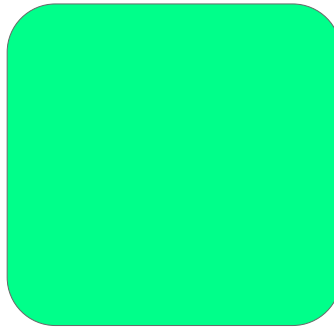


Beam Intensities from 1-20m

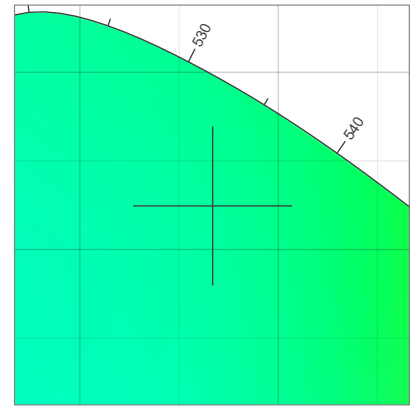
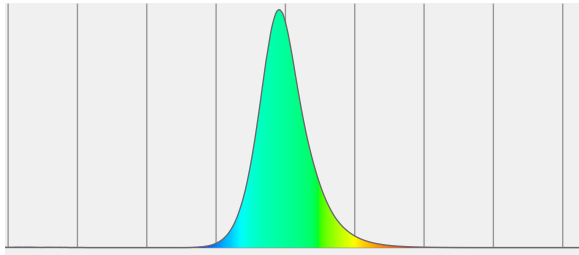
M	1	2	3	4	5	6	7	8	9	10	11	12	13	14	15	16	17	18	19	20
FT	3.3	6.6	9.8	13.1	16.4	19.7	23	26.2	29.5	32.8	36.1	39.4	42.7	45.9	49.2	52.5	55.8	59.1	62.3	65.6
LX	13412	3353	1490	838	536	373	274	210	166	134	111	93	79	68	60	52	46	41	37	34
FC	1246	311.5	138.4	77.9	49.8	34.6	25.4	19.5	15.4	12.5	10.3	8.7	7.4	6.4	5.5	4.9	4.3	3.8	3.5	3.1

Measurements

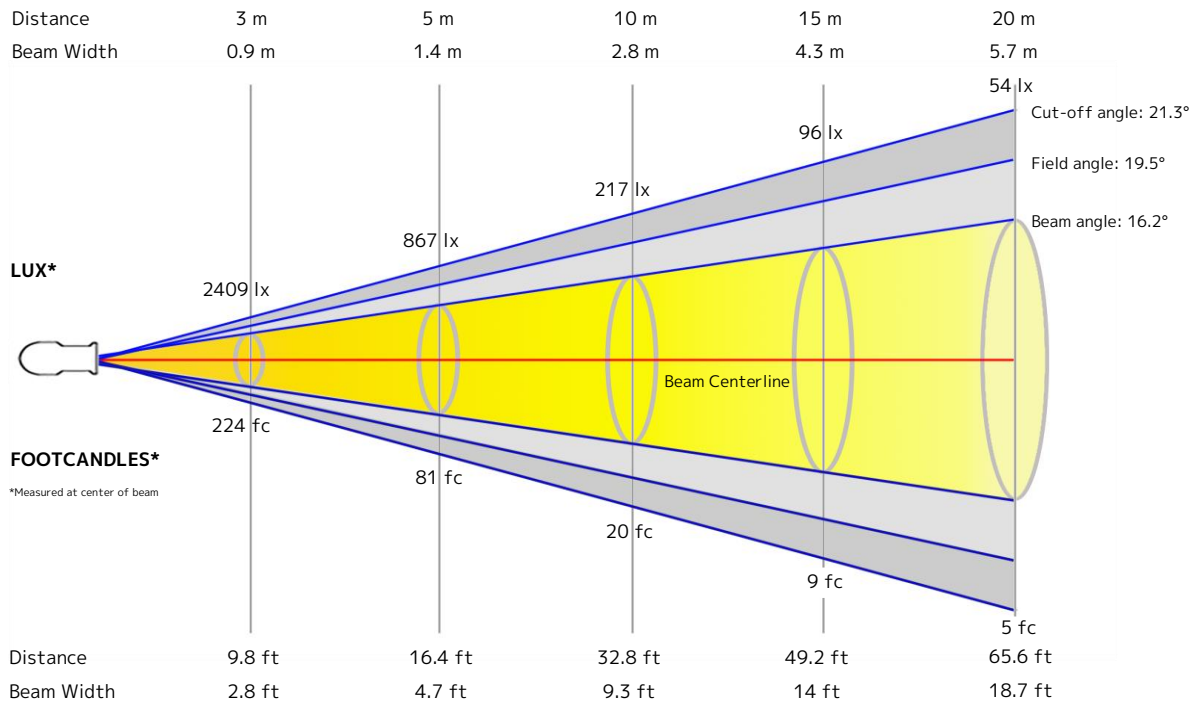
Total Lumen Output: 1387 lm
 Peak Intensity: 21734 cd
 Efficacy: 22 Lumen/Watt
 Power: 62.5 W
 Voltage: 121 V, Current: 0.519 A



Spectral Power Distribution Dominant Wavelength 527 nm



Dominant Wavelength	Color Coordinate CIE 1931	Color Coordinate CIE1931	Color Coordinate CIE 1964	Color Coordinate CIE 1964
nm	x	y	u	v
527	0.167	0.725	0.059	0.383

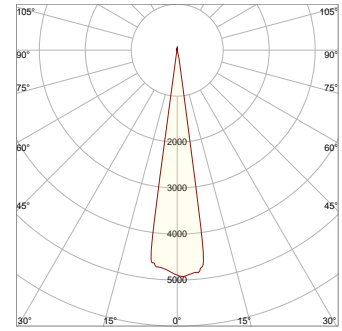
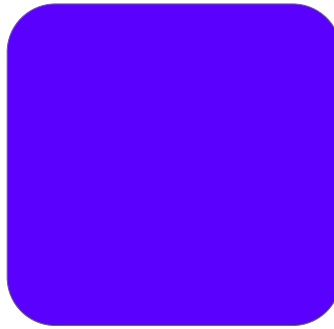


Beam Intensities from 1-20m

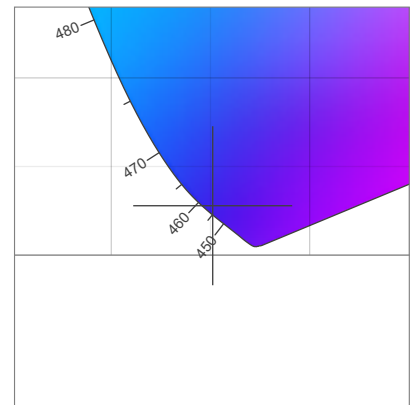
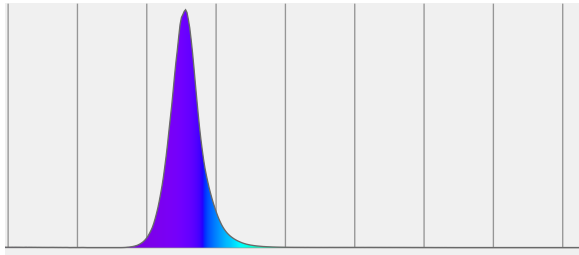
M	1	2	3	4	5	6	7	8	9	10	11	12	13	14	15	16	17	18	19	20
FT	3.3	6.6	9.8	13.1	16.4	19.7	23	26.2	29.5	32.8	36.1	39.4	42.7	45.9	49.2	52.5	55.8	59.1	62.3	65.6
LX	21678	5420	2409	1355	867	602	442	339	268	217	179	151	128	111	96	85	75	67	60	54
FC	2014	503.5	223.8	125.9	80.6	55.9	41.1	31.5	24.9	20.1	16.6	14	11.9	10.3	9	7.9	7	6.2	5.6	5

Measurements

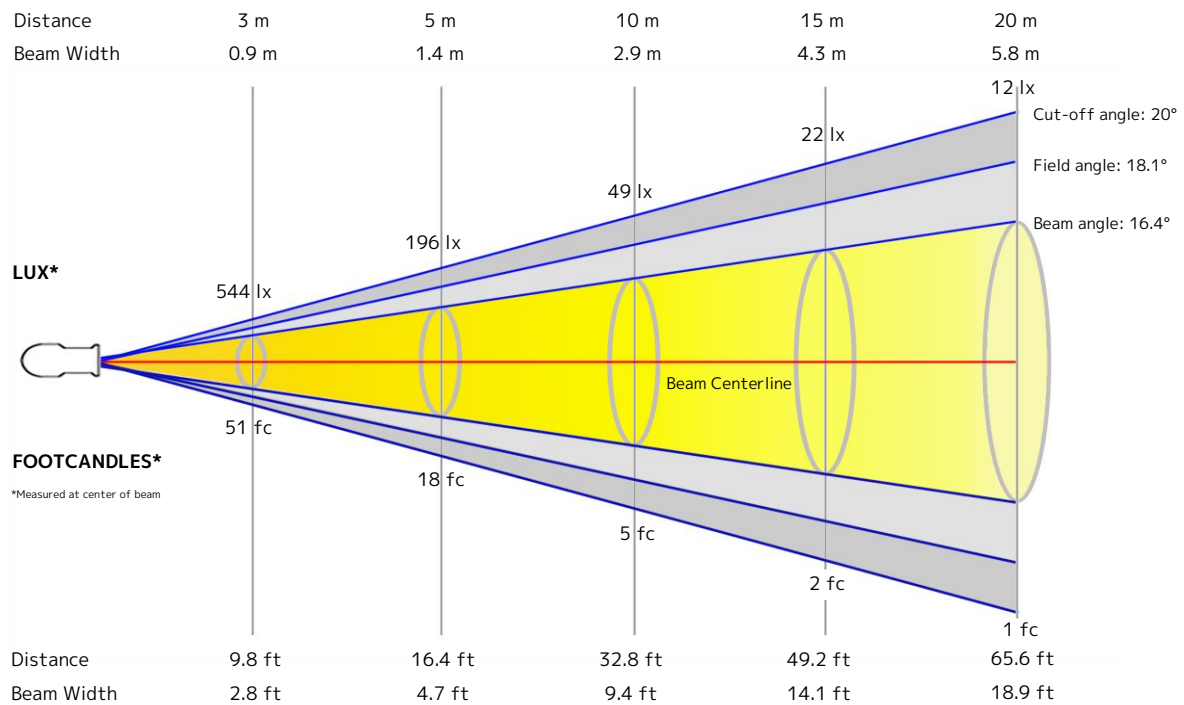
Total Lumen Output: 309 lm
 Peak Intensity: 4923 cd
 Efficacy: 5 Lumen/Watt
 Power: 60.9 W
 Voltage: 119 V, Current: 0.512 A



Spectral Power Distribution Dominant Wavelength 456 nm



Dominant Wavelength	Color Coordinate CIE 1931	Color Coordinate CIE1931	Color Coordinate CIE 1964	Color Coordinate CIE 1964
nm	x	y	u	v
456	0.151	0.028	0.199	0.055



Beam Intensities from 1-20m

M	1	2	3	4	5	6	7	8	9	10	11	12	13	14	15	16	17	18	19	20
FT	3.3	6.6	9.8	13.1	16.4	19.7	23	26.2	29.5	32.8	36.1	39.4	42.7	45.9	49.2	52.5	55.8	59.1	62.3	65.6
LX	4892	1223	544	306	196	136	100	76	60	49	40	34	29	25	22	19	17	15	14	12
FC	454.5	113.6	50.5	28.4	18.2	12.6	9.3	7.1	5.6	4.5	3.8	3.2	2.7	2.3	2	1.8	1.6	1.4	1.3	1.1

Measurements

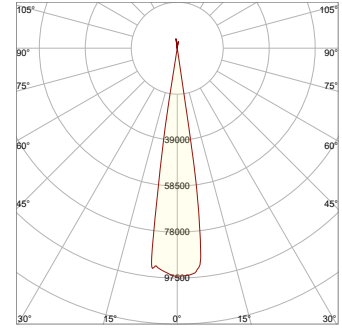
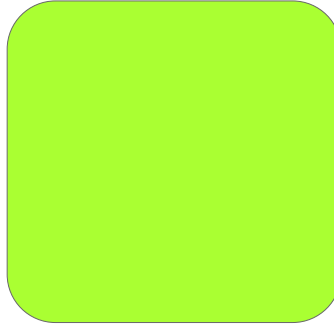
Total Lumen Output: 6069 lm

Peak Intensity: 96617 cd

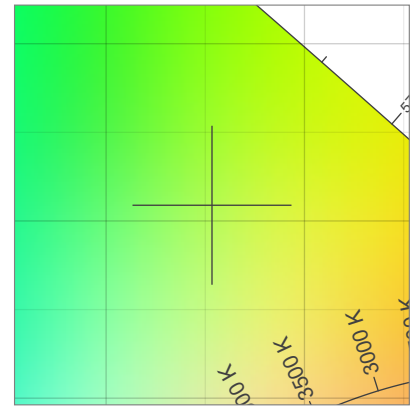
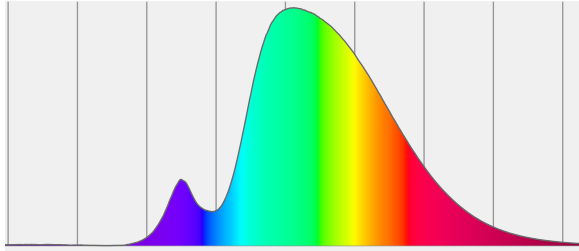
Efficacy: 44 Lumen/Watt

Power: 138.9 W

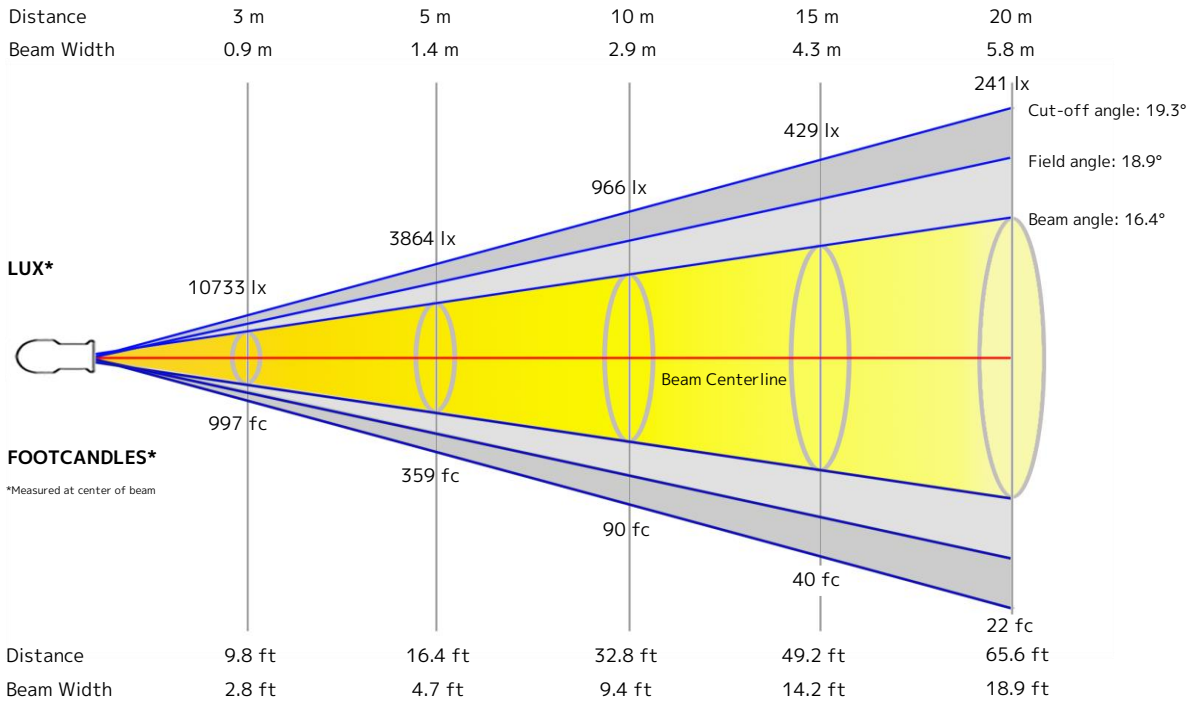
Voltage: 120 V, Current: 1.16 A



Spectral Power Distribution Dominant Wavelength 561 nm



Dominant Wavelength	Color Coordinate CIE 1931	Color Coordinate CIE1931	Color Coordinate CIE 1964	Color Coordinate CIE 1964
nm	x	y	u	v
561	0.353	0.509	0.168	0.363

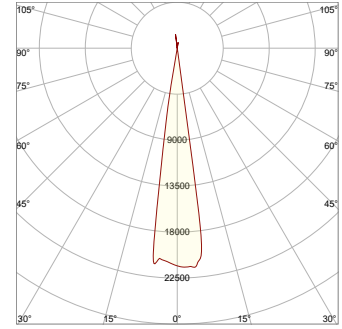
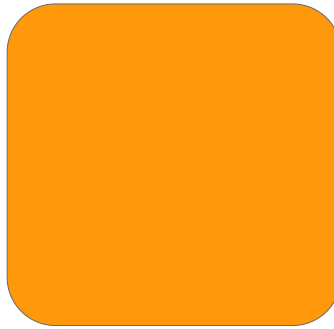


Beam Intensities from 1-20m

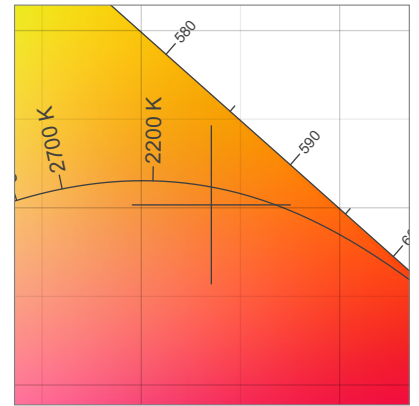
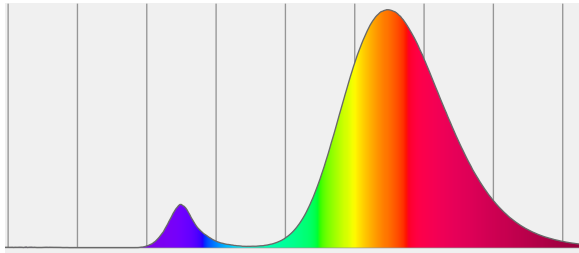
M	1	2	3	4	5	6	7	8	9	10	11	12	13	14	15	16	17	18	19	20
FT	3.3	6.6	9.8	13.1	16.4	19.7	23	26.2	29.5	32.8	36.1	39.4	42.7	45.9	49.2	52.5	55.8	59.1	62.3	65.6
LX	96599	24150	10733	6037	3864	2683	1971	1509	1193	966	798	671	572	493	429	377	334	298	268	241
FC	8974.3	2243.6	997.1	560.9	359	249.3	183.1	140.2	110.8	89.7	74.2	62.3	53.1	45.8	39.9	35.1	31.1	27.7	24.9	22.4

Measurements

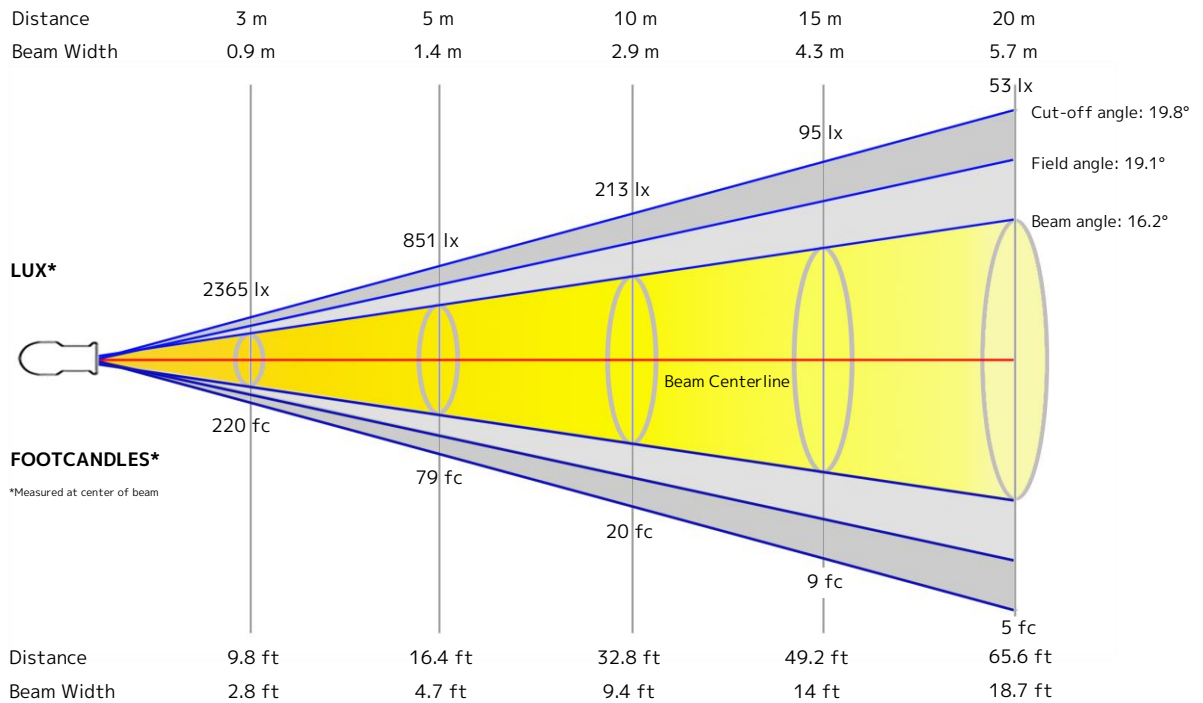
Total Lumen Output: 1348 lm
 Peak Intensity: 21416 cd
 Efficacy: 20 Lumen/Watt
 Power: 67.3 W
 Voltage: 120 V, Current: 0.560 A



Spectral Power Distribution Dominant Wavelength 591 nm



Dominant Wavelength	Color Coordinate CIE 1931	Color Coordinate CIE1931	Color Coordinate CIE 1964	Color Coordinate CIE 1964
nm	x	y	u	v
591	0.535	0.402	0.317	0.357



Beam Intensities from 1-20m

M	1	2	3	4	5	6	7	8	9	10	11	12	13	14	15	16	17	18	19	20
FT	3.3	6.6	9.8	13.1	16.4	19.7	23	26.2	29.5	32.8	36.1	39.4	42.7	45.9	49.2	52.5	55.8	59.1	62.3	65.6
LX	21284	5321	2365	1330	851	591	434	333	263	213	176	148	126	109	95	83	74	66	59	53
FC	1977.3	494.3	219.7	123.6	79.1	54.9	40.4	30.9	24.4	19.8	16.3	13.7	11.7	10.1	8.8	7.7	6.8	6.1	5.5	4.9