



PROTEUS™
SMARTY HYBRID



280W Long Life Discharge IP65 Beam/Spot/Wash Hybrid Fixture

DATA SHEET



KEY FEATURES

IP65 Certified 3-in-1 Beam, Spot, Wash Hybrid Fixture

Flex Lamp Technology from 190 to 280W and Lamp Hibernation with up to 6000 Hour Lamp Life

Full CMY Color Mixing System

Rotating and Static Gobos, Dual Prism, Frost

Zoom from 1° Beam to 33° Wash and Auto Focus option

The **Proteus Smarty Hybrid** is full featured IP65 certified Spot, Beam and Wash Hybrid fixture for indoor and outdoor use. It features the all new Philips™ MSD Platinum 200 Flex lamp with “FLEX” technology which uses a smartly designed discharge lamp/ballast package to produce high output and compact performance at an efficient, long life solution of up to 6,000 hours.

Features include up to 11,000 total lumen output, motorized zoom ranges of 1° to 18° in beam mode, 3° to 27° in spot mode, and 5° to 33° in wash mode, a full CMY color mixing system, a full frost filter for wash effects, 13 dichroic colors including a quad-color filter, CTB, CTO, and UV, 8 rotating—interchangeable glass and 12 static-stamped metal gobos, a 16-facet and 4-facet linear independent rotating prisms, multiple CMY color, gobo, and prism macros, motorized focus with an auto-focus feature, high speed shutter and strobe, lamp hibernation mode, DMX, RDM (Remote Device Management), Art-NET, and sACN protocol support, IP65 5pin XLR, IP65 RJ45 ethernet in/out, and IP65 Locking Power Cable in connections, full color 180° reversible LCD menu display with battery backup, and a multi-voltage universal auto switching power supply (100-240V).



Specifications are subject to change without notice ©Elation Professional 07/17/2023

Elation Professional USA | 6122 S. Eastern Ave. | Los Angeles, CA. 90040
323-582-3322 | 323-832-9142 fax | www.elationlighting.com | info@elationlighting.com

Elation Professional B.V. | Junostraat 2 | 6468 EW Kerkrade, The Netherlands
+31 45 546 85 66 | +31 45 546 85 96 fax | www.elationlighting.eu | info@elationlighting.eu



PROTEUS™
SMARTY HYBRID



280W Long Life Discharge IP65 Beam/Spot/Wash Hybrid Fixture

SPECIFICATIONS

SOURCE

Philips™ MSD Platinum 200 Flex 280W Lamp
Up To 6,000 Hour Lamp Life*

*Test lab conditions. May vary depending on several factors including but not limited to:
Environmental Conditions, Power/Voltage, Usage Patterns (On-Off Cycling), Control, Dimming, and Lamp Mode.

PHOTOMETRIC DATA

11,000 Total Output Lumen
128,426 LUX 11,931 FC @49.2' (15m) (Min Zoom Beam) 135,108 LUX 12,552 FC @16.4' (5m) (Min Zoom Spot)

Beam

Zoom Range 1° - 18°
Beam Angle 1.1° - 7°
Field Angle 2.6° - 17.8°

Spot

Zoom Range 3° - 27°
Beam Angle 1.8° - 18.7°
Field Angle 2.8° - 28.8°

Wash

Zoom Range 5° - 33°
Beam Angle 2.6° - 24.9°
Field Angle 4.6° - 40.7°

EFFECTS

Beam, Spot, Wash Modes
Motorized Zoom 1° - 18° Beam, 3° - 27° Spot, 5° - 33° Wash
Full Frost Filter for Wash Effects
16-Facet and 4-Facet Linear Prisms
CMY Color, Gobo, Prism Macros
Motorized Focus with Auto-Focus Feature
High Speed Shutter and Strobe
Pan Angle: 540°/630°
Tilt Angle: 262°

COLOR

Full CMY Color Mixing System
13 Colors including Quad Color, CTO, CTB, and UV

GOBOS

2 Gobo Wheels
8 Rotating / Indexing Interchangeable Glass Gobos
12 Static-Stamped Metal Gobos

CONTROL / CONNECTIONS

2 DMX Channel Modes (20 / 34)
DMX, RDM, Art-NET, sACN Protocol Support
(6) Button Touch Control Panel
Full Color 180° Reversible LCD Menu Display
IP65 5pin XLR DMX In/Out
IP65 RJ45 ethernet In/Out
IP65 Locking Power Cable In
With Wired Digital Communication Network

SIZE / WEIGHT

Length: 17.51 in (445mm)
Width: 18.06 in (459mm)
Height: 26.96 in (685mm)
Center Spacing: 21.69 in (551mm)
Weight: 78.26 lbs. (35.5kg)

ELECTRICAL / THERMAL

AC 100-240V 50/60Hz
Max Power Consumption 500W
BTU/hr (+/- 10%) 1705

APPROVALS / RATINGS

CE | cETLus | IP65



IP65



Specifications are subject to change without notice ©Elation Professional 07/17/2023

Elation Professional USA | 6122 S. Eastern Ave. | Los Angeles, CA. 90040
323-582-3322 | 323-832-9142 fax | www.elationlighting.com | info@elationlighting.com

Elation Professional B.V. | Junostraat 2 | 6468 EW Kerkrade, The Netherlands
+31 45 546 85 66 | +31 45 546 85 96 fax | www.elationlighting.eu | info@elationlighting.eu



PROTEUS™
SMARTY HYBRID



280W Long Life Discharge IP65 Beam/Spot/Wash Hybrid Fixture

GOBOS | COLORS

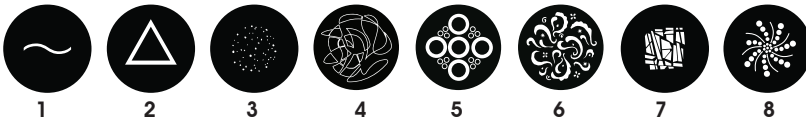
COLOR WHEEL



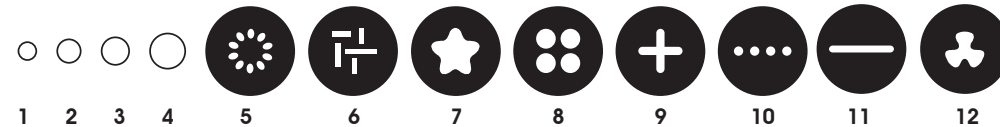
COLOR FLAGS



INTERCHANGEABLE-ROTATING GLASS GOBO WHEEL 1



STATIC-FIXED METAL GOBO WHEEL 2



ORDERING INFORMATION

SKU (US)	SKU (EU)	DESCRIPTION
PRS022	1237000190	Proteus Smarty Hybrid
* PENDING *	N/A	Proteus Smarty Hybrid Road Case
ZB-MSD PLATINUM 200 FLEX	9900011260	Philips MSD Platinum 200 Flex Lamp



Specifications are subject to change without notice ©Elation Professional 07/17/2023
Elation Professional USA | 6122 S. Eastern Ave. | Los Angeles, CA. 90040
323-582-3322 | 323-832-9142 fax | www.elationlighting.com | info@elationlighting.com

Elation Professional B.V. | Junostraat 2 | 6468 EW Kerkrade, The Netherlands
+31 45 546 85 66 | +31 45 546 85 96 fax | www.elationlighting.eu | info@elationlighting.eu

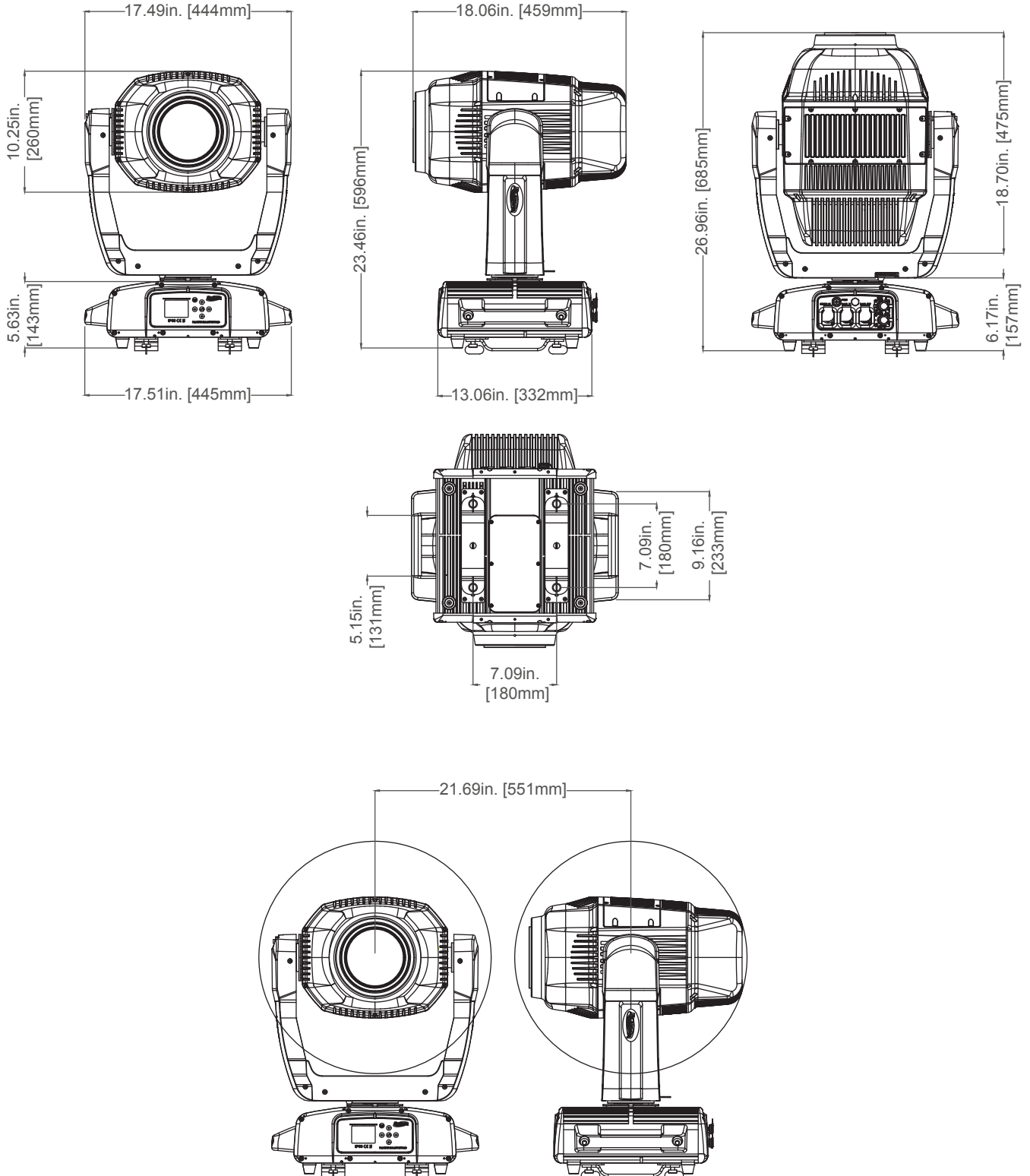


PROTEUS™
SMARTY HYBRID



280W Long Life Discharge IP65 Beam/Spot/Wash Hybrid Fixture

UNIT DIMENSIONS



Specifications are subject to change without notice ©Elation Professional 07/17/2023
Elation Professional USA | 6122 S. Eastern Ave. | Los Angeles, CA. 90040
323-582-3322 | 323-832-9142 fax | www.elationlighting.com | info@elationlighting.com

Elation Professional B.V. | Junostraat 2 | 6468 EW Kerkrade, The Netherlands
+31 45 546 85 66 | +31 45 546 85 96 fax | www.elationlighting.eu | info@elationlighting.eu

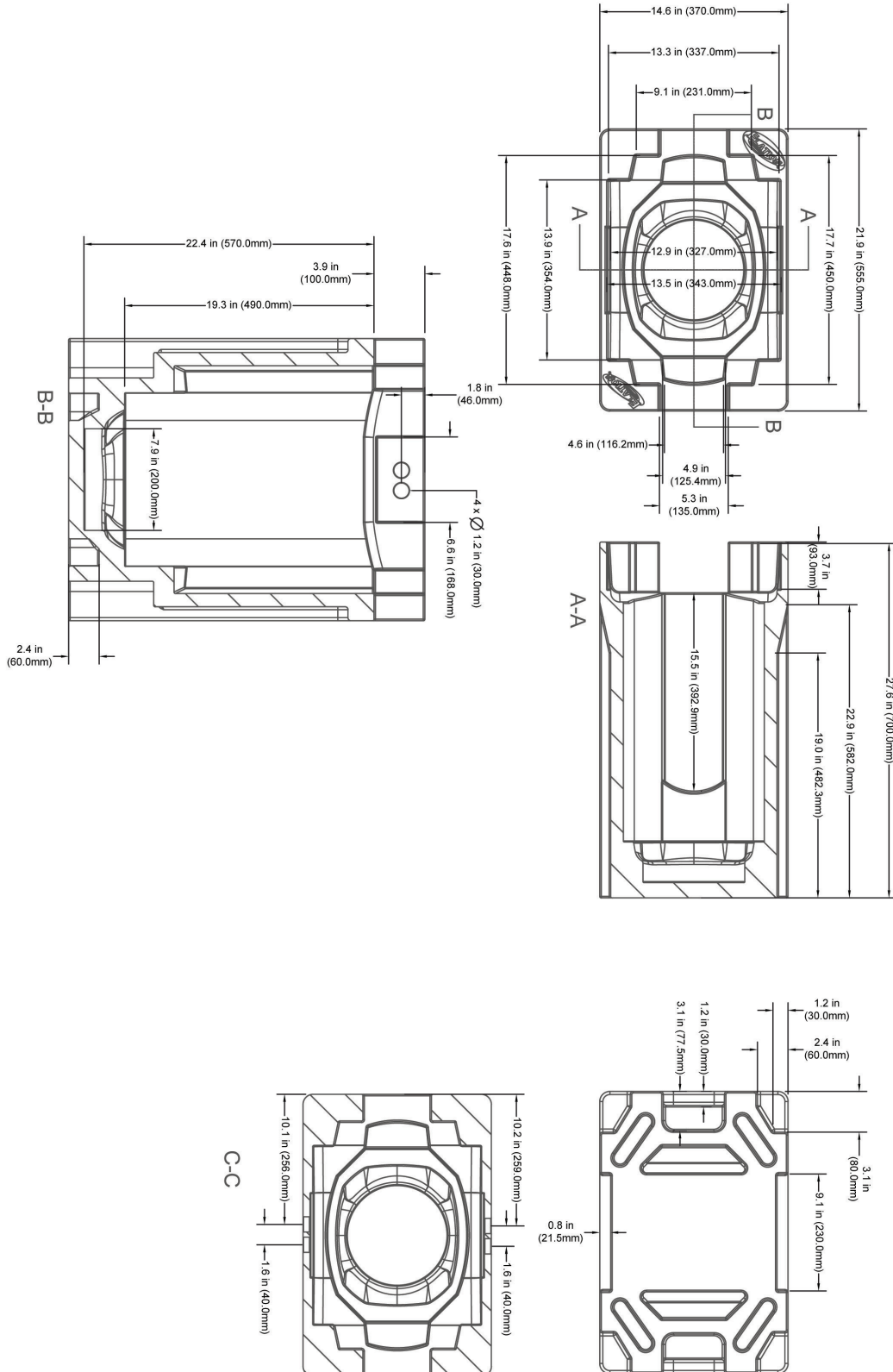


PROTEUS™
SMARTY HYBRID



280W Long Life Discharge IP65 Beam/Spot/Wash Hybrid Fixture

FOAM IN-LAY DIMENSIONS



Specifications are subject to change without notice ©Elation Professional 07/17/2023
Elation Professional USA | 6122 S. Eastern Ave. | Los Angeles, CA. 90040
323-582-3322 | 323-832-9142 fax | www.elationlighting.com | info@elationlighting.com

Elation Professional B.V. | Junostraat 2 | 6468 EW Kerkrade, The Netherlands
+31 45 546 85 66 | +31 45 546 85 96 fax | www.elationlighting.eu | info@elationlighting.eu