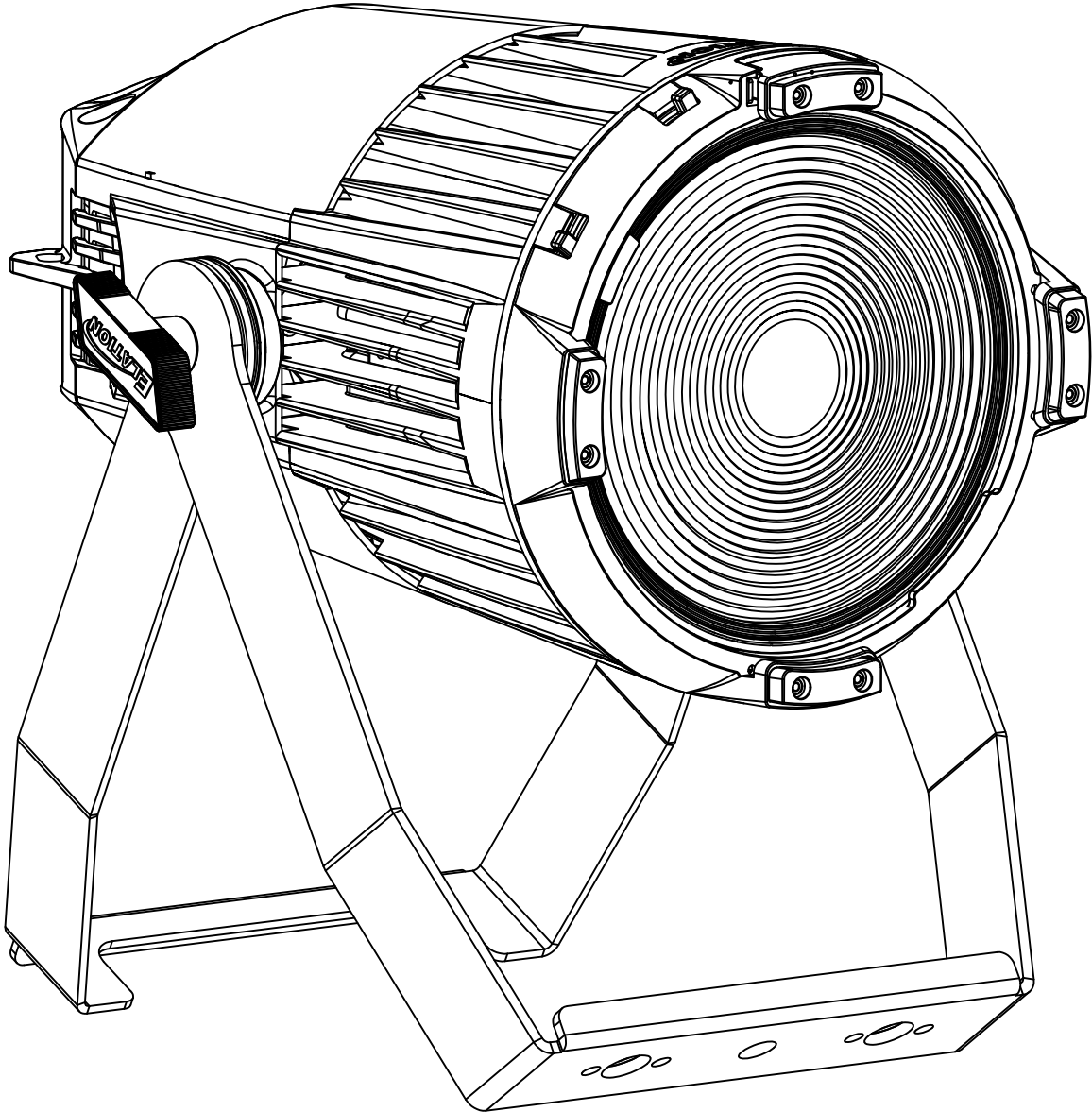


ELATION[®]



KL PAR FC/WH
User Manual

©2024 **ELATION PROFESSIONAL** all rights reserved. Information, specifications, diagrams, images, and instructions herein are subject to change without notice. ELATION PROFESSIONAL logo and identifying product names and numbers herein are trademarks of ELATION PROFESSIONAL. Copyright protection claimed includes all forms and matters of copyrightable materials and information now allowed by statutory or judicial law or hereinafter granted. Product names used in this document may be trademarks or registered trademarks of their respective companies and are hereby acknowledged. All non-ELATION brands and product names are trademarks or registered trademarks of their respective companies.

ELATION PROFESSIONAL and all affiliated companies hereby disclaim any and all liabilities for property, equipment, building, and electrical damages, injuries to any persons, and direct or indirect economic loss associated with the use or reliance of any information contained within this document, and/or as a result of the improper, unsafe, insufficient and negligent assembly, installation, rigging, and operation of this product.

Elation Professional USA | 6122 S. Eastern Ave. | Los Angeles, CA. 90040

323-582-3322 | 323-832-9142 fax | www.elationlighting.com | info@elationlighting.com

Elation Professional B.V. | Junostraat 2 | 6468 EW Kerkrade, The Netherlands

+31 45 546 85 66 | +31 45 546 85 96 fax | www.elationlighting.eu | info@elationlighting.eu

Elation Professional Mexico | AV Santa Ana 30 | Parque Industrial Lerma, Lerma, Mexico 52000

+52 (728) 282-7070

DOCUMENT VERSION



Due to additional product features and/or enhancements, an updated version of this document may be available online. Please scan the QR Code with your mobile device or visit www.elationlighting.com for the latest revision/update of this manual, before installation and/or programming.

Date	Document Version	Software Version	DMX Channel Mode	Notes
07/19/21	1.0	1.03	1/6/11/18/9/14	Initial Release
07/23/21	2.0	N/C	No Change	Updated Specifications and Dimensional Drawings
07/27/21	3.0	N/C	No Change	Update Dimensional Drawing and Specifications
08/24/22	4.0	N/C	No Change	Updated RDM Parameters & Codes
11/21/22	5.0	N/C	No Change	Updated Specifications
12/16/22	6.0	N/C	No Change	Added CE & UKCA approval to Specifications
04/10/23	7.0	N/C	No Change	Added KL logo, updated specifications.
07/10/23	8.0	N/C	No Change	Corrected Fan Control and Low Noise Operation
09/26/23	9.0	N/C	No Change	Updated RDM Parameters
04/02/24	10.0	1.08	1/6/11/18/19/9/14/15	Added ColourTune Page, & updated DMX Traits & System Menu

CONTENTS

General Information	4
Warranty Returns (USA Only)	5
Safety Guidelines	6
Maintenance Guidelines	8
Overview	9
Installation Guidelines	10
Accessory Installation	14
RDM Parameters and codes	16
Colourtune Technology	17
System Menu	18
Encoder Function	21
Fan Control and Low Noise Operation	22
DMX Channels Functions	23
Dimmer Modes & Curves	27
Color Temperature Chart	28
Color Macros Chart	39
Dimensional Drawings	30
Specifications	31
Ordering Information Error Codes	32

GENERAL INFORMATION

INTRODUCTION

Please read and understand the instructions in this manual carefully and thoroughly before attempting to operate this device. These instructions contain important safety and use information. **This device is intended for use by trained personnel only, and is not suitable for private use.**

UNPACKING

Every device has been thoroughly tested and has been shipped in perfect operating condition. Carefully check the shipping carton for damage that may have occurred during shipping. If the carton is damaged, carefully inspect the device for damage, and be sure all accessories necessary to install and operate the device have arrived intact. In the event damage has been found or parts are missing, please contact our customer support team for further instructions. Please do not return this device to your dealer without first contacting customer support. Please do not discard the shipping carton in the trash. Please recycle whenever possible.

BOX CONTENTS

Gel Frame (x1)
Lenses (x4): 11°, 22°, 30°, 52°
Power Cable (x1)

CUSTOMER SUPPORT

Contact ELATION Service for any product related service and support needs. Also visit forums.elationlighting.com with questions, comments, or suggestions.

ELATION SERVICE USA - Monday - Friday 8:00am to 4:30pm PST
323-582-3322 | Fax 323-832-9142 | support@elationlighting.com

ELATION SERVICE EUROPE - Monday - Friday 08:30 to 17:00 CET
+31 45 546 85 63 | Fax +31 45 546 85 96 | support@elationlighting.eu

REPLACEMENT PARTS please visit parts.elationlighting.com



IMPORTANT NOTICE!

THERE ARE NO USER SERVICEABLE PARTS INSIDE THIS UNIT. DO NOT ATTEMPT ANY REPAIRS YOURSELF; DOING SO WILL VOID YOUR MANUFACTURER'S WARRANTY. DAMAGES RESULTING FROM MODIFICATIONS TO THIS FIXTURE AND/OR THE DISREGARD OF SAFETY INSTRUCTIONS AND GUIDELINES IN THIS MANUAL VOID THE MANUFACTURER'S WARRANTY AND ARE NOT SUBJECT TO ANY WARRANTY CLAIMS AND/OR REPAIRS.

LIMITED WARRANTY (USA ONLY)

- A. Elation Professional hereby warrants, to the original purchaser, Elation Professional products to be free of manufacturing defects in material and workmanship for a period of two years (730 days), and Elation Professional product rechargeable batteries to be free of manufacturing defects in material and workmanship for a period of six months (180 days), from the original date of purchase. This warranty excludes discharge lamps and all product accessories. This warranty shall be valid only if the product is purchased within the United States of America, including possessions and territories. It is the owner's responsibility to establish the date and place of purchase by acceptable evidence, at the time service is sought.
- B. For warranty service, send the product only to the Elation Professional factory. All shipping charges must be pre-paid. If the requested repairs or service (including parts replacement) are within the terms of this warranty, Elation Professional will pay return shipping charges only to a designated point within the United States. If any product is sent, it must be shipped in its original package and packaging material. No accessories should be shipped with the product. If any accessories are shipped with the product, Elation Professional shall have no liability what so ever for loss and/or damage to any such accessories, nor for the safe return thereof.
- C. This warranty is void if the product serial number and/or labels are altered or removed; if the product is modified in any manner which Elation Professional concludes, after inspection, affects the reliability of the product; if the product has been repaired or serviced by anyone other than the Elation Professional factory unless prior written authorization was issued to purchaser by Elation Professional; if the product is damaged because not properly maintained as set forth in the product instructions, guidelines and/or user manual.
- D. This is not a service contract, and this warranty does not include any maintenance, cleaning or periodic check-up. During the periods as specified above, Elation Professional will replace defective parts at its expense, and will absorb all expenses for warranty service and repair labor by reason of defects in material or workmanship. The sole responsibility of Elation Professional under this warranty shall be limited to the repair of the product, or replacement thereof, including parts, at the sole discretion of Elation Professional. All products covered by this warranty were manufactured after January 1, 1990, and bare identifying marks to that effect.
- E. Elation Professional reserves the right to make changes in design and/or performance improvements upon its products without any obligation to include these changes in any products theretofore manufactured.
- F. No warranty, whether expressed or implied, is given or made with respect to any accessory supplied with the products described above. Except to the extent prohibited by applicable law, all implied warranties made by Elation Professional in connection with this product, including warranties of merchantability or fitness, are limited in duration to the warranty periods set forth above. And no warranties, whether expressed or implied, including warranties of merchantability or fitness, shall apply to this product after said periods have expired. The consumer's and/or dealer's sole remedy shall be such repair or replacement as is expressly provided above; and under no circumstances shall Elation Professional be liable for any loss and/or damage, direct and/or consequential, arising out of the use of, and/or the inability to use, this product.
- G. This warranty is the only written warranty applicable to Elation Professional products and supersedes all prior warranties and written descriptions of warranty terms and conditions heretofore published.

WARRANTY RETURNS

All returned service items whether under warranty or not, must be freight pre-paid and accompany a return authorization (R.A.) number. The R.A. number must be clearly written on the outside of the return package. A brief description of the problem as well as the R.A. number must also be written down on a piece of paper and included in the shipping container. If the unit is under warranty, you must provide a copy of your proof of purchase invoice. Items returned without a R.A. number clearly marked on the outside of the package will be refused and returned at customer's expense. You may obtain a R.A. number by contacting customer support.

SAFETY GUIDELINES

This fixture is a sophisticated piece of electronic equipment. To guarantee smooth operation, it is important to follow all instructions and guidelines in this manual. Elation Professional is not responsible for injury and/or damages resulting from the misuse of this fixture due to the disregard of the information printed in this manual. Only qualified and/or certified personnel should perform installation of this fixture and only the original rigging parts included with this fixture should be used for installation. Any modifications to the fixture and/or the included mounting hardware will void the original manufacturer's warranty and increase the risk of damage and/or personal injury.



PROTECTION CLASS 1 - FIXTURE MUST BE PROPERLY GROUNDED.



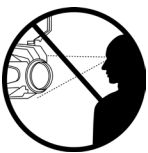
THERE ARE NO USER SERVICEABLE PARTS INSIDE THIS UNIT. DO NOT ATTEMPT ANY REPAIRS YOURSELF. DOING SO WILL VOID YOUR MANUFACTURER'S WARRANTY. DAMAGES RESULTING FROM MODIFICATIONS TO THIS DEVICE AND/OR THE DISREGARD OF SAFETY INSTRUCTIONS AND GUIDELINES IN THIS MANUAL VOID THE MANUFACTURER'S WARRANTY AND ARE NOT SUBJECT TO ANY WARRANTY CLAIMS AND/OR REPAIRS.



THE PRODUCTS WE PROVIDE ARE EQUIPPED WITH A 5-15P POWER CORD SET, DESIGNED FOR USE WITH DEVICES OPERATING AT 125VAC. FOR DEVICES REQUIRING A HIGHER INPUT VOLTAGE OF 250VAC, A 6-15P POWER CORD SET SHOULD BE USED FOR PROPER FUNCTIONALITY.



**DO NOT PLUG THIS UNIT INTO A DIMMER PACK
DO NOT REMOVE THE COVER UNDER ANY CONDITIONS
NEVER OPERATE THIS UNIT WITH THE CASING REMOVED
UNPLUG FROM POWER DURING LONG PERIODS OF NON-USE
DISCONNECT POWER BEFORE PERFORMING MAINTENANCE**



**NEVER LOOK DIRECTLY INTO THE LIGHT SOURCE!
RETINA INJURY RISK - MAY INDUCE BLINDNESS!
SENSITIVE PERSONS MAY SUFFER AN EPILEPTIC SHOCK!**



**FOR USE IN INDOOR OR DRY LOCATIONS ONLY!
DO NOT EXPOSE TO RAIN AND/OR MOISTURE!**



**FIXTURE SHOULD BE PLACED A MINIMUM OF 1.0 FOOT (0.3 METERS) FROM ANY NEARLY OBJECTS OR SURFACES.
FIXTURE SHOULD BE PLACED A MINIMUM OF 1.6 FEET (0.5 METERS) FROM ANY FLAMMABLE MATERIALS.
MAXIMUM AMBIENT OPERATING TEMPERATURE IS 113°F (45°C)**

SAFETY GUIDELINES

For Your Own Personal Safety, Please Read and Understand This Manual Completely Before You Attempt To Install Or Operate This Unit!

- **IP20 Rating: Fixture is protected against intrusion by solids measuring roughly 12.5mm in size or larger, such as human fingers. THE FIXTURE IS NOT PROTECTED AGAINST LIQUIDS OR MOISTURE OF ANY KIND!**
- Do not touch the fixture housing during operation, as it may be hot.
- Do not shake the fixture, and avoid using brute force when installing and/or operating.
- Use only the original packaging and materials to transport or ship the fixture for service. Make sure to retain the original packaging for this purpose.
- Be sure that the local power outlet matches the required voltage for the device.
- Do not open up the device for any reason. There are no user serviceable parts inside.
- Disconnect the device's main power when left unused for long periods of time.
- Never connect this device to a dimmer pack.
- Do not attempt to operate this device if it has been damaged in any way.
- Never operate this device with the cover removed.
- Do not attempt to operate this device if the power cord has been frayed or broken.
- Never force a power cord connector into the fixture. If the power cord or any of its connectors are damaged, replace immediately with a new cord of the same power rating.
- Do not attempt to remove or break off the ground prong from the electrical cord. This prong is used to reduce the risk of electrical shock and fire in case of an internal short.
- Only handle the power cord by the plug end. Never disconnect the plug by tugging on the wire portion of the power cord.
- Disconnect from main power before making any type of connection.
- Never block the air ventilation slots. Always be sure to mount this device in an area that will allow proper ventilation. Allow about 6" (15cm) between this device and a wall.
- Always mount this unit in a safe and stable matter.
- Please route your power cord out of the way of foot traffic. Power cords should be routed so they are not likely to be walked on or pinched by items placed upon or against them.
- Before performing any servicing, turn off and disconnect the device from power and allow at least 15 minutes for the device to cool.
- Consistent operational breaks will ensure that this fixture will function properly for many years.
- The device should be serviced by qualified service personnel when:
 - A. The power-supply cord or the plug has been damaged.
 - B. Objects have fallen on, or liquid has been spilled into, the device.
 - C. The device has been immersed in liquid or exposed to moisture.
 - D. The appliance does not appear to operate normally or exhibits a marked change in performance.

Keep all flammable materials away from this fixture!

MAINTENANCE GUIDELINES



DISCONNECT POWER BEFORE PERFORMING ANY MAINTENANCE!

CLEANING

Frequent cleaning is recommended to ensure proper function, optimized light output, and an extended life. The frequency of cleaning depends on the environment in which the fixture operates: damp, smoky or particularly dirty environments can cause greater accumulation of dirt on the fixture's optics. Clean periodically with a soft cloth to avoid dirt/debris accumulation.

NEVER use alcohol, solvents, or ammonia-based cleaners.

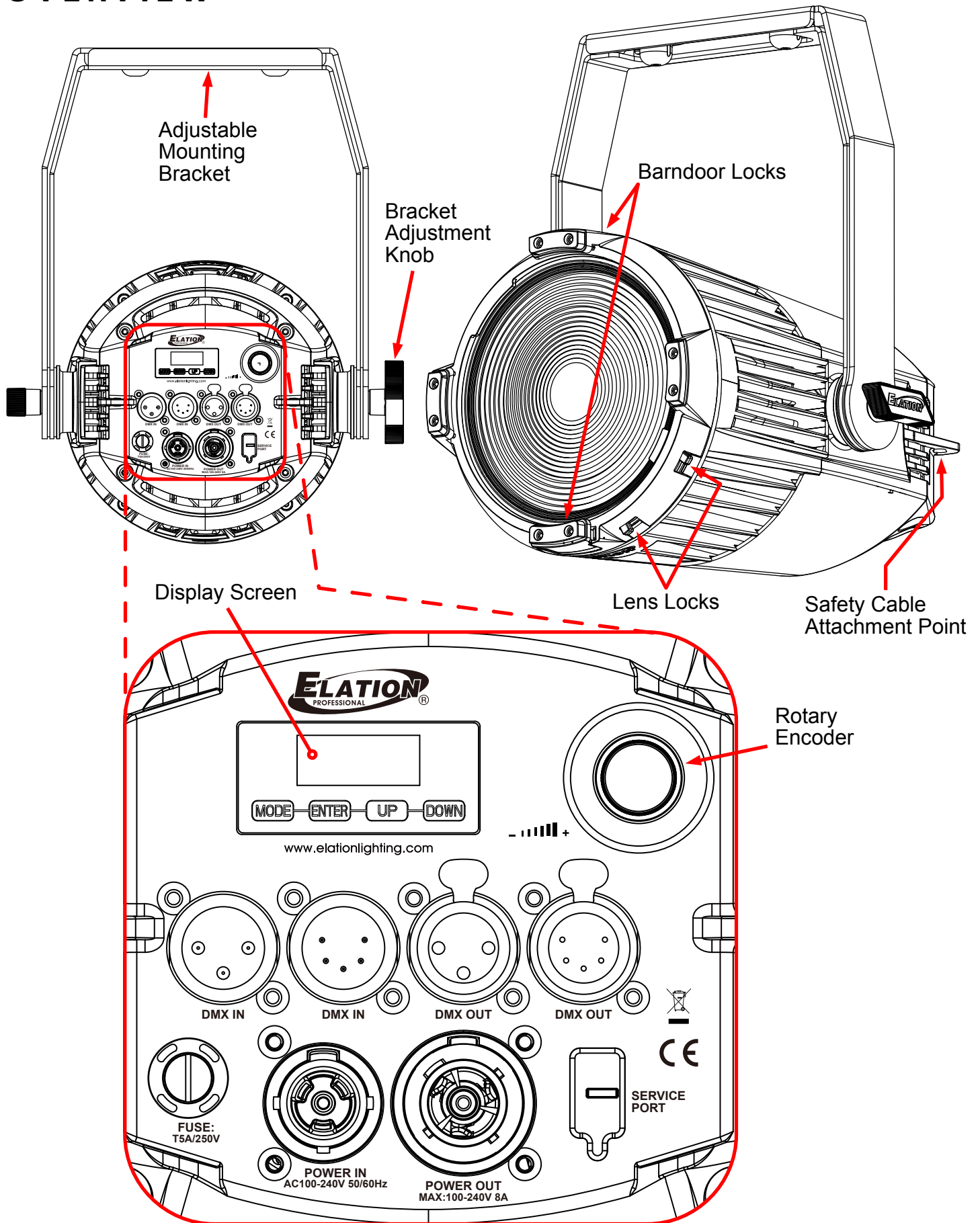
MAINTENANCE

Regular inspections are recommended to insure proper function and extended life. There are no user serviceable parts inside this fixture. Please refer all other service issues to an authorized Elation service technician. Should you need any spare parts, please order genuine parts from an authorized Elation dealer.

Please refer to the following points during routine inspections:

- A detailed electrical check by an approved electrical engineer every three months, to make sure the circuit contacts are in good condition and prevent overheating.
- Be sure all screws and fasteners are securely tightened at all times. Loose screws may fall out during normal operation, resulting in damage or injury as larger parts could fall.
- Check for any deformations on the housing, color lenses, rigging hardware and rigging points (ceiling, suspension, trussing). Deformations in the housing could allow for dust to enter into the fixture. Damaged rigging points or unsecured rigging could cause the fixture to fall and seriously injure a person(s).
- Electric power supply cables must not show any damage, material fatigue or sediments.

OVERVIEW



INSTALLATION GUIDELINES



FLAMMABLE MATERIAL WARNING

Keep fixture minimum 5.0 feet (1.5m) away from flammable materials and/or pyrotechnics.



ELECTRICAL CONNECTIONS

A qualified electrician should be used for all electrical connections and/or installations.



MINIMUM DISTANCE TO OBJECTS/SURFACES IS 1 FOOT (0.3 METERS)



MINIMUM DISTANCE OF FLAMMABLE MATERIALS FROM THE SURFACE IS 1.6 FEET (0.5 METER)



MAXIMUM AMBIENT TEMPERATURE 113° F (45°C)



DO NOT INSTALL THE FIXTURE IF YOU ARE NOT QUALIFIED TO DO SO!

Fixture **MUST** be installed following all local, national, and country commercial electrical and construction codes and regulations.

Before rigging/mounting a single fixture or multiple fixtures to any metal truss/structure or placing the fixture(s) on any surface, a professional equipment installer **MUST** be consulted to determine if the metal truss/structure or surface is properly certified to safely hold the combined weight of the fixture(s), clamps, cables, and accessories.

Fixture(s) should be installed in areas outside walking paths, seating areas, or away from areas where unauthorized personnel might reach the fixture by hand.

NEVER stand directly below the fixture(s) when rigging, removing, or servicing.

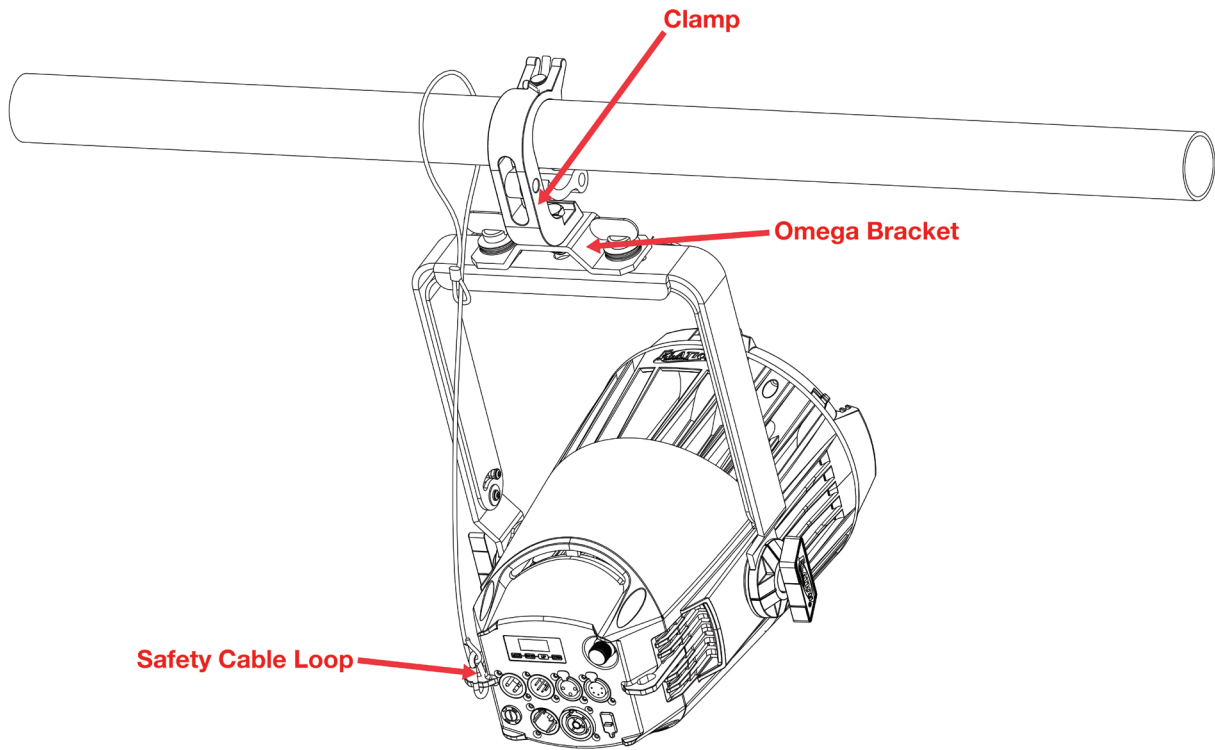
Overhead fixture installation must always be secured with a secondary safety attachment, such as an appropriately rated safety cable.

Allow approximately 15 minutes for the fixture to cool down before servicing.

INSTALLATION GUIDELINES

CLAMP INSTALLATION

This device features a mounting clamp attachment point built into the mounting bracket, as well as two safety cable attachment points located on the rear face of the fixture on either side of the control panel (see the illustration below). When mounting the fixture to a truss or any other suspended or overhead installation, be sure to secure an appropriately rated clamp (not included) to the clamp attachment point and attach a separate SAFETY CABLE of the appropriate safety rating to the safety cable rigging point.



ALWAYS ATTACH A SAFETY CABLE WHENEVER INSTALLING THIS FIXTURE IN A SUSPENDED ENVIRONMENT TO ENSURE THAT THE FIXTURE WILL NOT FALL IF THE CLAMP FAILS.

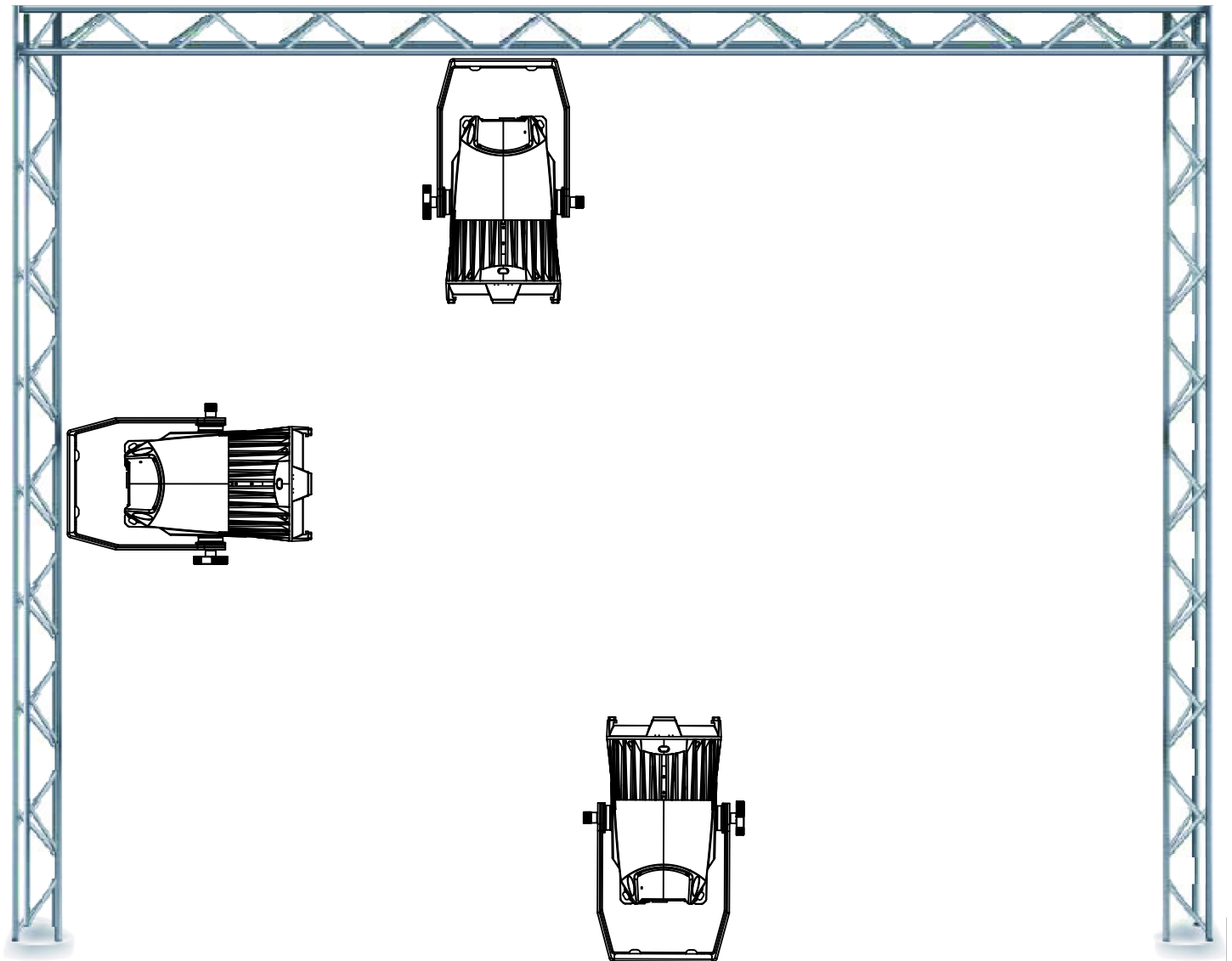
RIGGING

Overhead rigging requires extensive experience, including but not limited to: calculating working load limits, understanding the installation material being used, and periodic safety inspection of all installation material and the fixture itself. If you lack these qualifications, do not attempt to perform the installation yourself. Improper installation can result in bodily injury.

INSTALLATION GUIDELINES

FIXTURE INSTALLATION

The Elation KL PAR FC is fully operational in three different mounting positions, hanging upside-down, mounted sideways on trussing, or set on a flat level surface. Be sure this fixture is kept at least 0.2m (7.9in.) away from any flammable materials (decoration etc.). Always use and install the supplied safety cable as a safety measure to prevent accidental damage and/or injury in the event the clamp fails. Never use the carrying handles for secondary attachment.



FALLING FIXTURES CAN CAUSE SEVERE INJURY OR SERIOUS EQUIPMENT DAMAGE! FOR THIS REASON, FIXTURES SHOULD BE INSTALLED AND INSPECTED ONLY BY QUALIFIED PERSONNEL. DO NOT INSTALL THE UNIT IF YOU LACK THE QUALIFICATIONS TO DO SO, OR IF YOU HAVE DOUBTS ABOUT THE SAFETY AND SECURITY OF THE INSTALLATION SETUP OR LOCATION!



ALWAYS ATTACH A SAFETY CABLE WHENEVER INSTALLING THIS FIXTURE IN A SUSPENDED ENVIRONMENT TO ENSURE THE FIXTURE WILL NOT FALL IF THE CLAMP FAILS.

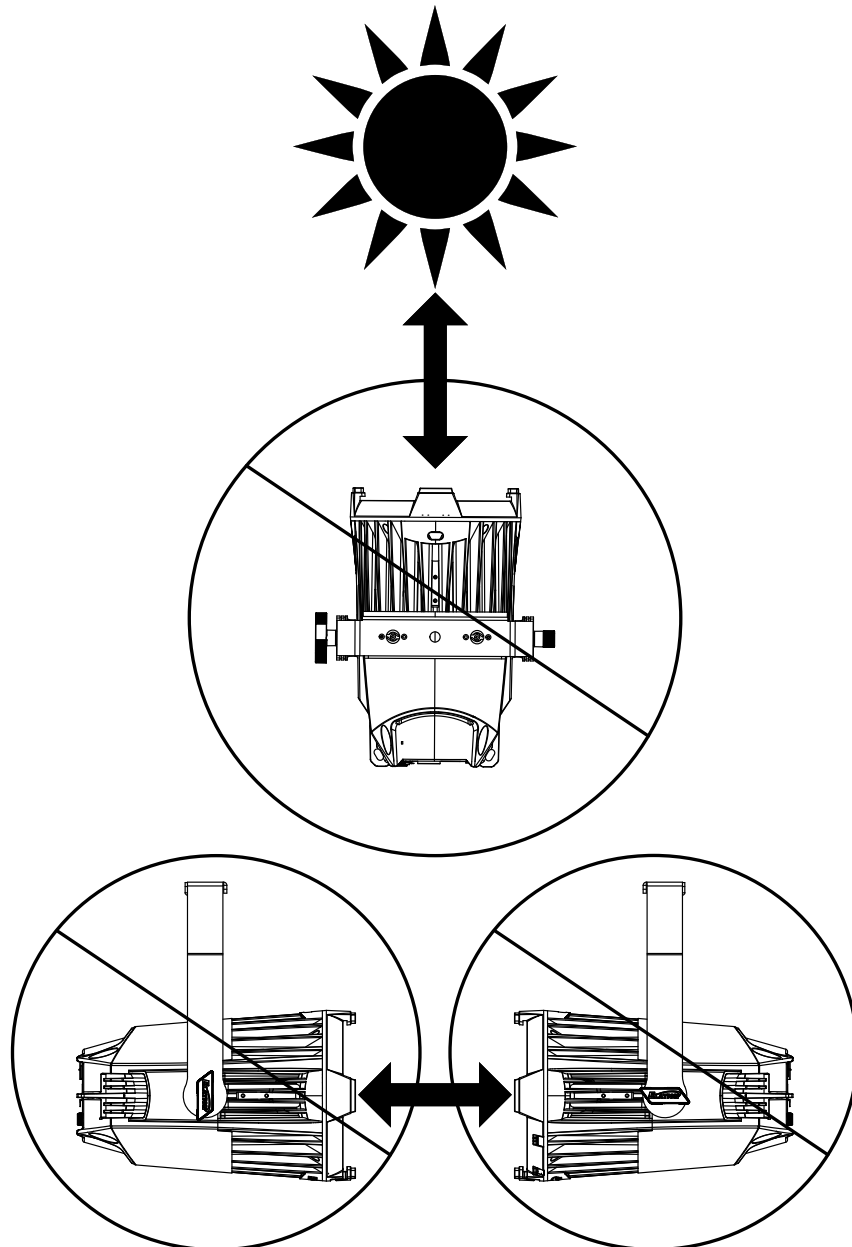
INSTALLATION GUIDELINES

POTENTIAL INTERNAL FIXTURE DAMAGE FROM EXTERNAL SOURCES OF LIGHT BEAMS

External sources of light beams from direct sunlight, lighting moving head fixtures, and lasers, which are focused directly towards the exterior housing and/or penetrate the front lens opening of ELATION lighting fixtures, can cause severe internal damage including burning to optics, dichroic color filters, glass and metal gobos, prisms, animation wheels, frost filters, iris, shutters, motors, belts, wiring, discharge lamps, and LEDs.

This issue is not specific only to ELATION lighting fixtures, it is a common issue with lighting fixtures from all manufacturers. Although there is no true way to fully prevent this issue from happening, the guidelines below can prevent any potential damage from occurring if followed. Contact ELATION Service for more details.

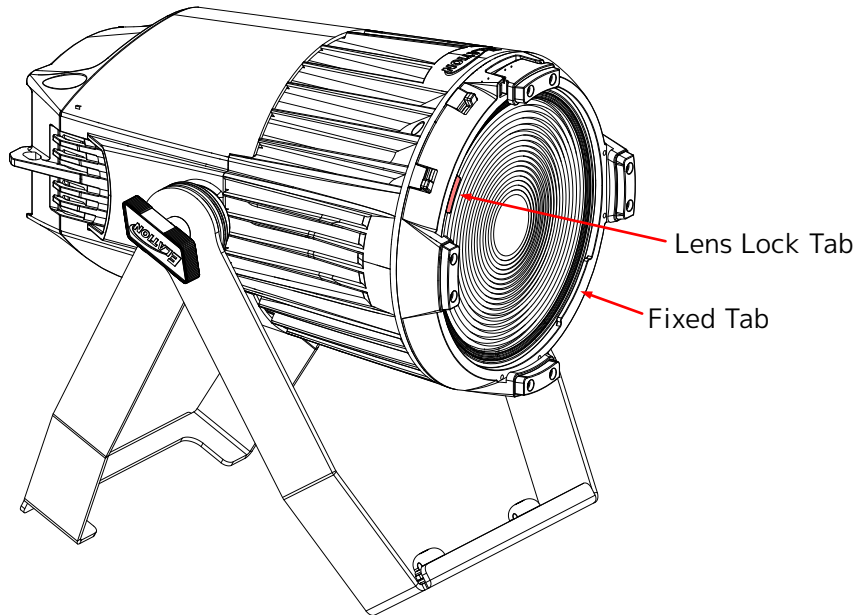
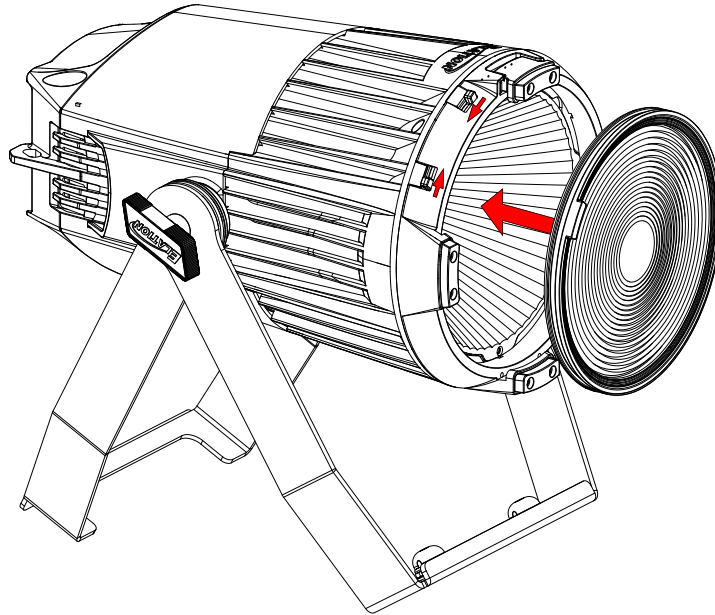
DO NOT EXPOSE THE FIXTURE AND/OR FRONT LENS OPENING TO LIGHT BEAMS FROM DIRECT SUNLIGHT, OTHER LIGHTING MOVING HEAD FIXTURES, AND LASERS WHILE UNPACKING, INSTALLATION, USE, AND EXTENDED IDLE TIMES OUTDOORS. DO NOT FOCUS A LIGHT BEAM FROM ONE LIGHTING FIXTURE DIRECTLY TOWARDS ANOTHER.



ACCESSORY INSTALLATION

LENS INSTALLATION

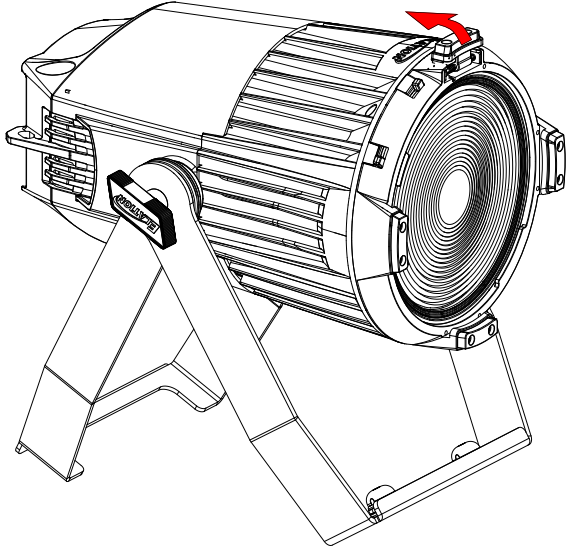
Push the Lens Locks inward and hold them in this position to open the Lens Lock Tab. While holding the Lens Locks, angle the Lens behind the Fixed Tab on opposite side of Lens Lock Tab, and rotate it into place. With the lens in position, release the Lens Locks. They will automatically move the Lens Lock Tab back into the locked position when released.



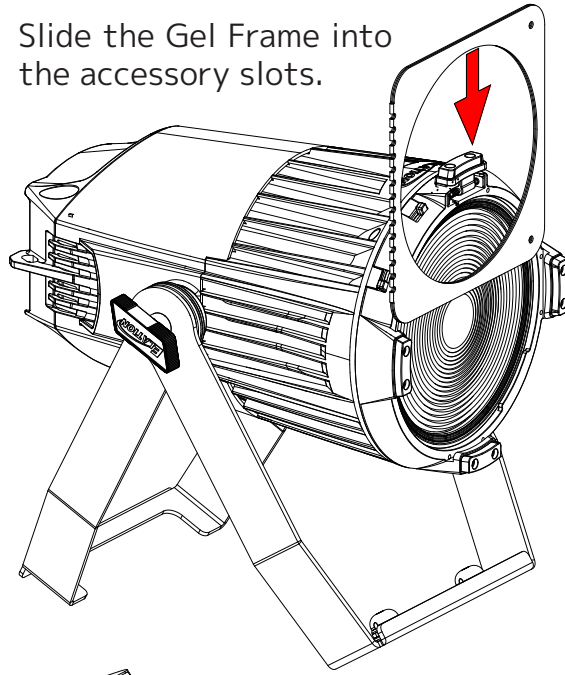
ACCESSORY INSTALLATION

BARNDOOR INSTALLATION

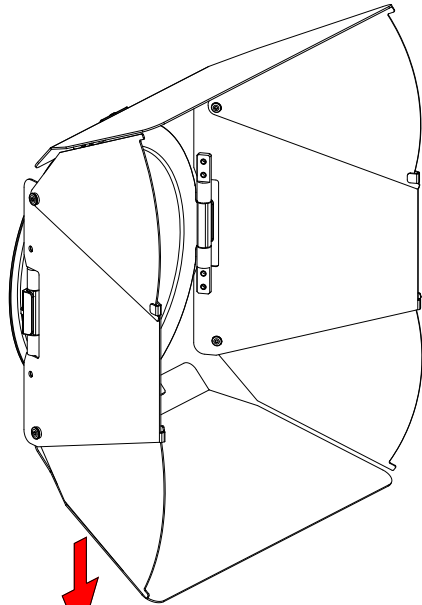
1. Flip open the retaining clip.



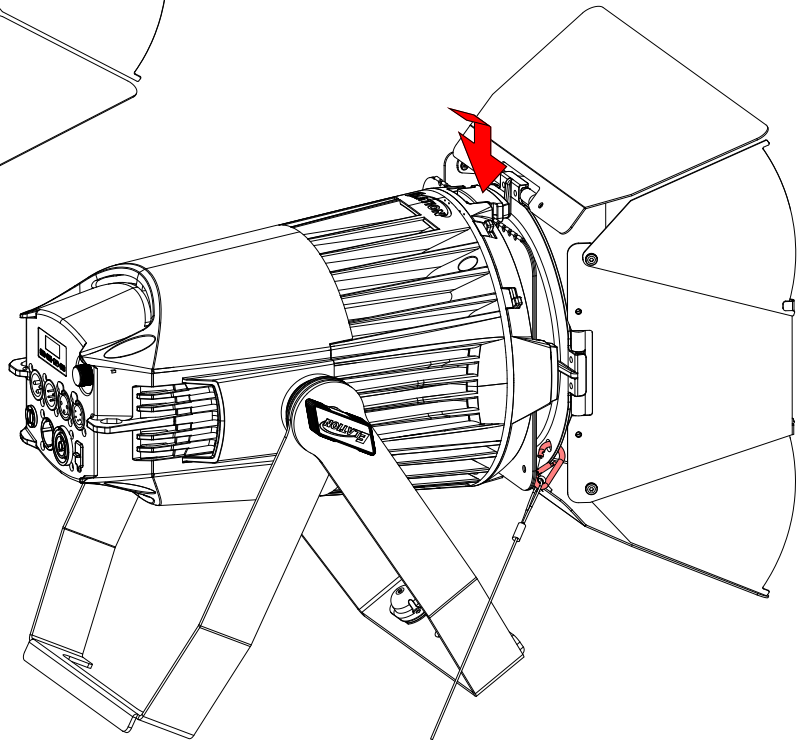
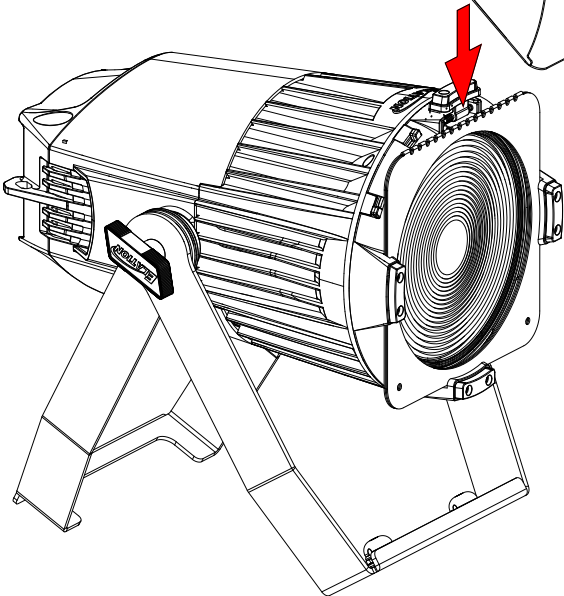
2. Slide the Gel Frame into the accessory slots.



2. Slide the barn door into the accessory slots in front of the Gel Frame.



3. Return the retaining clip to the original position to lock the barn door in place. Attach a safety cable to the Barn door as shown.



REMOTE DEVICE MANAGEMENT (RDM)

NOTE: In order for RDM to work properly, RDM enabled equipment must be used throughout the entire system, including DMX data splitters and wireless systems.

Remote Device Management (RDM) is a protocol that sits on top of the DMX512 data standard for lighting, and allows the DMX systems of the fixtures to be modified and monitored remotely. This protocol is ideal for instances in which a unit is installed in a location that is not easily accessible.

With RDM, the DMX512 system becomes bi-directional, allowing a compatible RDM enabled controller to send out a signal to devices on the wire, as well as allowing the fixture to respond (known as a GET command). The controller can then use its SET command to modify settings that would typically have to be changed or viewed directly via the unit's display screen, including the DMX Address, DMX Channel Mode, and Temperature Sensors.

FIXTURE RDM INFORMATION:

Device ID	Device Model ID	RDM Code	Personality ID
0000-FFF	001E	0X22A6	1 Ch Dimmer 6 Ch Dimmer/Color 11 Ch Standard 18 Ch Legacy Extended 19 Ch Extended 9 Ch CMY 14 Ch Legacy CMY Extended 15 Ch CMY Extended

Please be aware that **not all RDM devices support all RDM features**, and therefore it is important to check beforehand to ensure that the equipment that you are considering includes all of the features that you require.

The following parameters are accessible in RDM on this device:

[0x0011] Proxied Device Count	[0x0032] Clear Status ID	[0x0603] Realtime Clock
[0x0200] Sensor Definition	[0x0401] Lamp Hours	[0x1010] Power State
[0x0201] Sensor Value	[0x0402] Lamp Strikes	[0x1031] Preset Playback
[0x0080] Device Model Description	[0x0403] Lamp State	[0x0122] Default Slot Value
[0x0081] Manufacturer Label	[0x0404] Lamp Mode	[0x00B0] Language
[0x0082] Device Label	[0x0405] Device Power Cycles	[0x00A0] Language Capabilities
[0x0015] Comms Status	[0x0500] Display Invert	[0x0030] Status Messages
[0x0031] Status ID Description	[0x0501] Display Level	[0x1001] Reset Device

COLOURTUNE TECHNOLOGY

The **KL PAR FC** features our latest advanced fixture software, **ColourTune Technology**. This innovative software offers various features to enhance the control and precision of the fixture and the light it creates.

COLOR TUNING

This feature allows users to select between Highest Output, Highest Fidelity, or a blend of both. When Highest Output is chosen, the fixture prioritizes intensity by producing the selected CCT and color settings at maximum output while maintaining the best color fidelity possible. When Highest Fidelity is selected, the fixture prioritizes light quality by generating the selected CCT and color settings at the highest fidelity possible while offering the best intensity it can. The difference between fidelity and output changes varies depending on the CCT and color settings. Selecting Balanced Output and Fidelity equally prioritizes fidelity and output to produce the selected CCT and color settings with balanced fidelity and output.

OUTPUT BALANCE

Output Balance settings allow users to choose between Bright and Uniform (Elation Full Spectrum Match). This setting enables color tone balancing across multiple fixture models that also use Elation's Full Spectrum Engine. Selecting the Uniform setting reduces the intensity of some primary colors to ensure all mixed colors match across multiple fixture models. The Uniform setting also ensures color temperature and output levels are closely matched across fixtures of the same model.

16-BIT CCT CONTROL

In a DMX mode with 16-bit CCT control, fully variable CCT values are available, and adjustments of 1 degree Kelvin are achievable.

DIM TO WARM

With this feature activated, the fixture emulates a tungsten lamp by decreasing the color temperature as it dims. This works with any set CCT value, and only affects the output if a base CCT is established.

WHITE POINT ADJUSTMENT

The White Point Adjustment feature allows users to set a desired CCT value, and then mix color from that white set point. This color can be mixed manually through adjusting the primary color channels, or by selecting a color in the virtual swatch book.

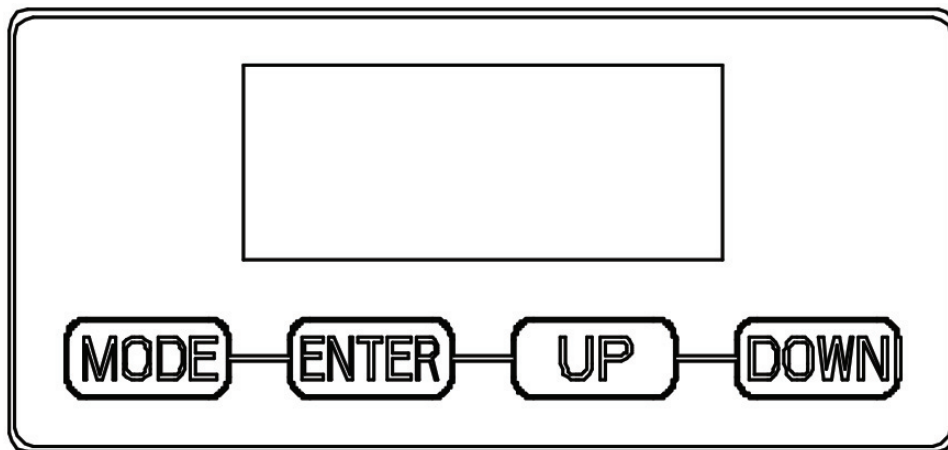
VIRTUAL SWATCH BOOK FADE

The ability to fade between two virtual swatch book color selections has been added. Users can select a fade time using the Dimmer Delay Time setting in the Dim Mode Control Channel. Changing between colors in the swatch book will then utilize the chosen timing.

SYSTEM MENU

The fixture includes an easy to navigate system menu. The control panel display is located on the rear panel of the fixture (see image below) and provides access to the main system menu, where all necessary system adjustments are made to the fixture. During normal operation, pressing the MODE button once will access the fixture's main menu. Once in the main menu you can navigate through the different functions and access the sub-menus with the DOWN and UP buttons. Once you reach a field that requires adjusting, press the ENTER button to activate that field and use the DOWN and UP buttons to adjust the field. Pressing the ENTER button once more will confirm the setting. Exit the main menu at any time without making any adjustments by pressing the MODE button.

The display screen will shut OFF automatically after 30 seconds of inactivity. To turn the display back on, press and hold the MODE button for 3 seconds.



A USB FLASH DRIVE CAN BE USED TO UPDATE THE FIXTURE TO THE LATEST SOFTWARE. Using a USB Flash Drive loaded with the latest software, insert it into the USB Service Port, then navigate to PERSONALITY/SERVICE, enter the passcode (050), and select UPDATE SOFTWARE. A copy of the latest software can be obtained by contacting Elation Support.



AN ELATION C-LOADER II CAN ALSO BE USED TO UPDATE THE FIXTURE TO THE LATEST SOFTWARE. To order this device, please contact Elation Support for further details.

Detailed instructions can be found online at www.elationlighting.com.

ELATION SERVICE USA - Monday - Friday 8:00am to 4:30pm PST
323-582-3322 | Fax 323-832-9142 | support@elationlighting.com

ELATION SERVICE EUROPE - Monday - Friday 08:30 to 17:00 CET
+31 45 546 85 63 | Fax +31 45 546 85 96 | support@elationlighting.eu

SYSTEM MENU

ENCODER MODE	Disabled	For use when running fixture in DMX mode		
	Dimmer	For use when running fixture in dimmer mode		
	Int CCT Grn	For use when running fixture in CCT mode with touch bar control		
	Int Color Sat	For use when running fixture in color mode with touch bar control		
	Manual Control	For use when running fixture in manual control mode with touch bar control		
DMX	DMX Address	001 - 512		
	DMX Mode	1CH Dimmer , 6CH Dimmer Color, 11CH Standard, 18CH Legacy Extended, 19CH Extended, 9CH CMY, 14CH Legacy CMY Extended, 15CH CMY Extended		
	No DMX Status	Hold Last , Fade to Black, Standalone		
CONTROL	Dimmer	000% - 100%		
	Manual Color	Red	0 - 255	
		Green	0 - 255	
		Blue	0 - 255	
		Mint	0 - 255	
		Amber	0 - 255	
		CCT	2400K - 8500K (default = 6000K)	
		Green Shift	-100% ~ +100% (default = 0)	
	Virtual Color	See Color Macros		
	Primary	On / Off		
	Secondary	On / Off		
Self Test	All, Dimmer, Color			
SETTINGS	Dim Modes	Standard , Stage, TV, Architectural, Theatre, Stage 2		
		Dim Speed	0s - 10s (default = 0.1s)	
	Dim to Warm	On / Off		
	Dim Curves	Linear, Square, Squre Inverse, S-Curve		
	LED Refresh Rate	900Hz - 1500Hz (1200Hz), 2500Hz, 4000Hz, 5000Hz, 6000Hz, 10KHz, 15KHz, 20KHz, 25KHz		
	Color Tuning	Highest Fidelity		
		Balanced Output and Fidelity		
		Highest Output		
	Output Balance	Bright (Highest Output)		
		Uniform (Elation Full Spectrum Match)		
	LED Power Limit	50%, 60%, 70%, 80%, 90%, 100%		
	Fan Mode	Auto , High, Silent		
	Display	Screen Delay	10s - 5min (default = 1min)	
Screen Lock		Off , 10s - 5min		
Rotate Display		Yes, No , Auto		
Reset Defaults	Yes / No			

SYSTEM MENU

INFORMATION	Time	Current Run Time, Total Run Time, Last Run Time
	Temperature	Current, Max Resettable
	DMX Values	Red, Green,
	Product IDs	RDM UID
	Error Logs	Fixture Errors
	Software Version	Vx.x
SERVICE (passcode = 050)	Calibration	Red 0 - 255
		Green 0 - 255
		Blue 0 - 255
		Mint 0 - 255
		Amber 0 - 255
	Reset Last Run	Yes / No
	Reset Error Logs	Yes / No

ENCODER FUNCTION

When the device has been set to Encoder mode, the lighting display can be adjusted using the knob located beside the display screen on the back of the device.

To enter Encoder mode, select the ENCODER MODE option from the main system menu, as described in the System Menu section of this manual. Then use the UP and DOWN buttons to scroll through the different modes. Each mode is represented by one of the tables below. Press ENTER to select the mode that is currently displayed.

Once an Encoder Mode has been selected, press the knob to cycle through the available Parameter options. When the desired Parameter is displayed on the screen, simply turn the knob to adjust the value of that Parameter.

DIMMER MODE			
PARAMETER	VALUE	RESOLUTION	DEFAULT
Intensity	Intensity 0-100%	1%	0%

INT CCT GRN MODE			
PARAMETER	VALUE	RESOLUTION	DEFAULT
Intensity	Intensity 0-100%	1%	0%
Color Temperature	CCT 2400 - 8500K	100K	6000K
Green Shift	GRN -100% to +100%	1%	Neutral

INT COLOR SAT MODE			
PARAMETER	VALUE	RESOLUTION	DEFAULT
Intensity	Intensity 0-100%	1%	0%
Color	Virtual Color 1, 2, 3, 4...	Single Color	
Saturation	Sat 0 - 100%	1%	100%

MANUAL CONTROL MODE			
PARAMETER	VALUE	RESOLUTION	DEFAULT
Intensity	Intensity 0-100%	1%	100%
Strobe	Strobe 0-255	1	0
Red	Red 0-255	1	0
Green	Green 0-255	1	0
Blue	Blue 0-255	1	0
Mint	Mint 0-255	1	0
Amber	Amber 0-255	1	0

FAN CONTROL AND LOW NOISE OPERATION

This fixture is a high-performance device suited for multiple applications. For noise critical environments such as Theater, Opera, or Orchestral Halls, it offers various fan operation modes which remove unwanted noise distractions for the audience and performers. Fan Modes can be changed remotely via the DMX control channel, allowing the fixture to offer high output or whisper-silent operation at a moment's notice.

Auto (Default) – Fans only run at the speeds needed to keep the LED engine within a safe temperature range, and ensures optimal performance of the fixture. They will turn off if possible; for example, when the fixture is dimmed to a low intensity. Fans sense the ambient and fixture temperature and will, at all times, try to keep noise levels at a minimum. The fixture output will only be reduced when the LED engine cannot be cooled to its safe operating range due to a high ambient temperature.

NOTE: This mode is recommended for daily operation.

Silent - 75-80% max output, fans run at low speed.

High – Fan speeds are increased throughout the fixture for the most efficient cooling. This mode will increase wear on the fans and should only be utilized in exceptional circumstances. Fans will always run, even if the fixture is dimmed. Fixture output is kept at 100% unless the LED engine temperature reaches an unsafe temperature, at which point the fixture will reduce power carefully to ensure continued safe operation. This mode is only required in very high ambient temperatures when automatic fan speed adjustments are not desired.

DMX CHANNEL FUNCTIONS

Dim 1Ch	Dim Color 6Ch	Std 11Ch	Leg Ext 18Ch	Ext 19Ch	CMY 9Ch	Leg CMY Ext 14Ch	CMY Ext 15Ch	DMX Values	Function	Snap	Def Value
1	1	1	1	1	1	1	1	0-255	Dimmer Intensity 0 → 100%		0
	2	2	2	2	2	2	2	0-255	Dimmer Fine Fine Intensity Control		0
	3	3	3	3	3	3	3		Shutter/Strobe		50
								0-31	Shutter closed		
								32-63	No function (shutter open)		
								64-95	Strobe effect slow to fast		
								96-127	No function (shutter open)		
								128-159	Pulse-effect in sequences		
								160-191	No function (shutter open)		
								192-223	Random strobe effect slow to fast		
								224-255	No function (shutter open)		
		4	4	4				0-255	Red 0 → 100%		0
			5	5				0-255	Red Fine Fine Adjustment		0
		5	6	6				0-255	Green 0 → 100%		0
			7	7				0-255	Green Fine Fine Adjustment		0
		6	8	8				0-255	Blue 0 → 100%		0
			9	9				0-255	Blue Fine Fine Adjustment		0
		7	10	10				0-255	Mint 0 → 100%		0
			11	11				0-255	Mint Fine Fine Adjustment		0
		8	12	12				0-255	Amber 0 → 100%		0
			13	13				0-255	Amber Fine Fine Adjustment		0
					4	4	4	0-255	Cyan 0 → 100%		0
						5	5	0-255	Cyan Fine Fine Adjustment		0
						5	6	0-255	Magenta 0 → 100%		0
							7	0-255	Magenta Fine Fine Adjustment		0
					6	8	8	0-255	Yellow 0 → 100%		0
						9	9	0-255	Yellow Fine Fine Adjustment		0
	4	9	14		7	10			CCT Presets	X	0
								0-23	Open		
								24-85	2400K → 8500K (See Sheet)		
								86-255	8500K		
				14			10		Variable CCT		0
								0-23	Open		
								24-255	2400K → 8500K		
				15			11	0-255	Variable CCT Fine Fine Adjustment		0

DMX CHANNEL FUNCTIONS

Dim 1Ch	Dim Color 6Ch	Std 11Ch	Leg Ext 18Ch	Ext 19Ch	CMY 9Ch	Leg CMY Ext 14Ch	CMY Ext 15Ch	DMX Values	Function	Snap	Def Value
			16	16		12	12		Green Shift		
								0	Idle		
								1-127	Full Minus Green to Neutral		
								128	Neutral White		0
								129-255	Neutral to Full Plus Green		
									Color		
								0	Open		
								1-179	Virtual Swatch Book (See Table)		
									Color Scroll		
								180-201	Clockwise Fast → Slow		
								202-207	Stop		
								208-229	Counter-clockwise Slow → Fast		0
								230-234	Open		
									Random Slots		
								235-239	Fast		
								240-244	Medium		
								245-249	Slow		
								250-255	Open		
									Dim Modes		
								0-20	Standard		
								21-40	Stage		
								41-60	TV		
								61-80	Architectural		
								81-100	Theatre		
								101-120	Stage 2		
									Dimmer Delay Time		
								121	0s		
								122	0.1s		
								123	0.2s		
								124	0.3s		
								125	0.4s		
								126	0.5s		
								127	0.6s		
								128	0.7s		
								129	0.8s		
			17	18		13	14	130	0.9s	X	0
								131	1.0s		
								132	1.5s		
								133	2.0s		
								134	3.0s		
								135	4.0s		
								136	5.0s		
								137	6.0s		
								138	7.0s		
								139	8.0s		
								140	9.0s		
								141	10s		
								142-149	Idle		
									Dim to Warm		
								150-154	DTW On		
								155-159	DTW Off		
								160-255	Idle		

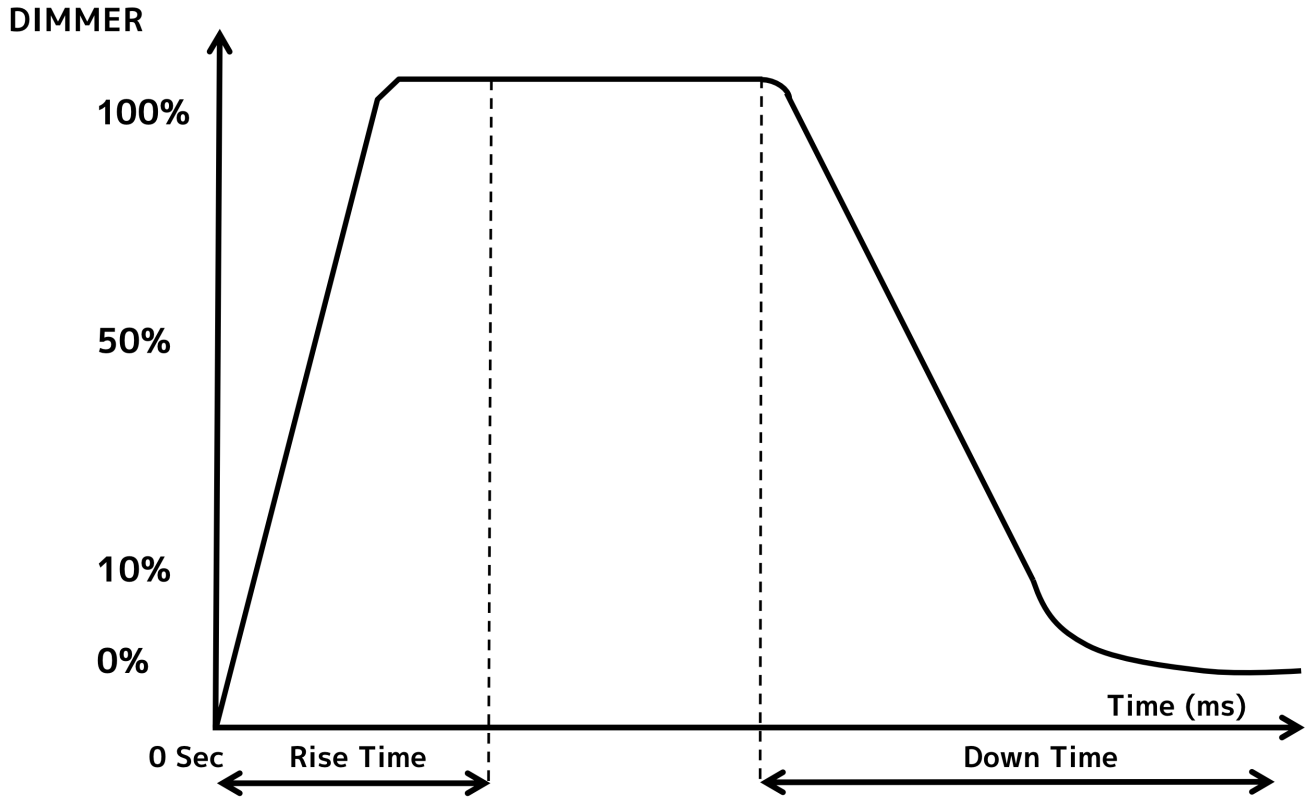
DMX CHANNEL FUNCTIONS

Dim 1Ch	Dim Color 6Ch	Std 11Ch	Leg Ext 18Ch	Ext 19Ch	CMY 9Ch	Leg CMY Ext 14Ch	CMY Ext 15Ch	DMX Values	Function	Snap	Def Value
									Control		
								0-29	Idle		
								30-39	Fan Mode Auto		
								40-49	Fan Mode Silent		
								50-59	Fan Mode High		
								60-99	Idle		
									Refresh Rate (Hz)		
								100	900		
								101	910		
								102	920		
								103	930		
								104	940		
								105	950		
								106	960		
								107	970		
								108	980		
								109	990		
								110	1000		
								111	1010		
								112	1020		
								113	1030		
								114	1040		
	6	11	18	19	9	14	15	115	1050	X	0
								116	1060		
								117	1070		
								118	1080		
								119	1090		
								120	1100		
								121	1110		
								122	1120		
								123	1130		
								124	1140		
								125	1150		
								126	1160		
								127	1170		
								128	1180		
								129	1190		
								130	1200		
								131	1210		
								132	1220		
								133	1230		
								134	1240		
								135	1250		
								136	1260		
								137	1270		
								138	1280		

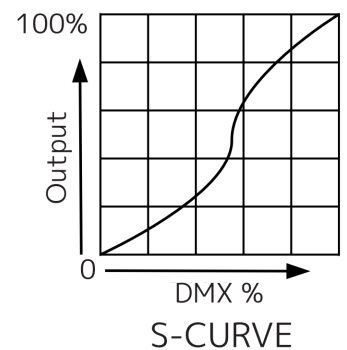
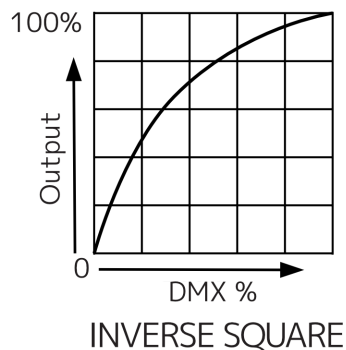
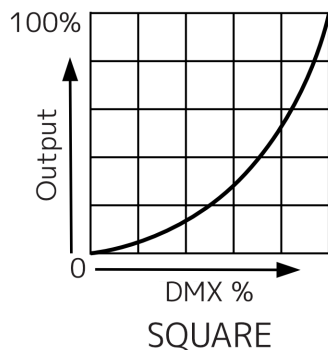
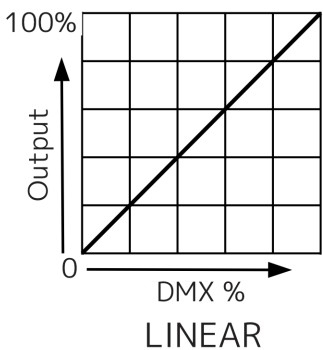
DMX CHANNEL FUNCTIONS

Dim 1Ch	Dim Color 6Ch	Std 11Ch	Leg Ext 18Ch	Ext 19Ch	CMY 9Ch	Leg CMY Ext 14Ch	CMY Ext 15Ch	DMX Values	Function	Snap	Def Value
								138	1280		
								139	1290		
								140	1300		
								141	1310		
								142	1320		
								143	1330		
								144	1340		
								145	1350		
								146	1360		
								147	1370		
								148	1380		
								149	1390		
								150	1400		
								151	1410		
								152	1420		
								153	1430		
								154	1440		
								155	1450		
								156	1460		
								157	1470		
								158	1480		
								159	1490		
	6	11	18	19	9	14	15	160	1500	X	0
								161	2500		
								162	4000		
								163	5000		
								164	6000		
								165	10000		
								166	15000		
								167	20000		
								168	25000		
								169-174	Idle		
									Color Tuning		
								175-176	Highest Fidelity		
								177-178	Balanced Output and Fidelity		
								179-180	Highest Output (Default)		
									Output Balance		
								181-182	Bright (Highest Output)		
								183-184	Uniform (Elation Full Spectrum Match)		
								185-200	Idle		
									Dimmer Curves		
								201-210	Dimmer Curve: Linear (Default)		
								211-220	Dimmer Curve: Square		
								221-230	Dimmer Curve: Inverse Square		
								231-240	Dimmer Curve: S-Curve		
								241-255	Idle		

DIMMER MODES & CURVES



Dimming Curve Ramp Effect	0 sec Fade Time		1 sec Fade Time	
	Rise Time (ms)	Down Time (ms)	Rise Time (ms)	Down Time (ms)
Standard (default)	0	0	0	0
Stage	780	1100	1540	1660
TV	1180	1520	1860	1940
Architectural	1380	1730	2040	2120
Theatre	1580	1940	2230	2280
Stage 2	0	1100	0	1660



COLOR TEMPERATURE CHART

DMX VALUE	COLOR TEMPERATURE (K)	DMX VALUE	COLOR TEMPERATURE (K)
24	2400	63	6300
25	2500	64	6400
26	2600	65	6500
27	2700	66	6600
28	2800	67	6700
29	2900	68	6800
30	3000	69	6900
31	3100	70	7000
32	3200	71	7100
33	3300	72	7200
34	3400	73	7300
35	3500	74	7400
36	3600	75	7500
37	3700	76	7600
38	3800	77	7700
39	3900	78	7800
40	4000	79	7900
41	4100	80	8000
42	4200	81	8100
43	4300	82	8200
44	4400	83	8300
45	4500	84	8400
46	4600	85	8500
47	4700	86	8600
48	4800	87	8700
49	4900	88	8800
50	5000	89	8900
51	5100	90	9000
52	5200	91	9100
53	5300	92	9200
54	5400	93	9300
55	5500	94	9400
56	5600	95	9500
57	5700	96	9600
58	5800	97	9700
59	5900	98	9800
60	6000	99	9900
61	6100	100	10000
62	6200		

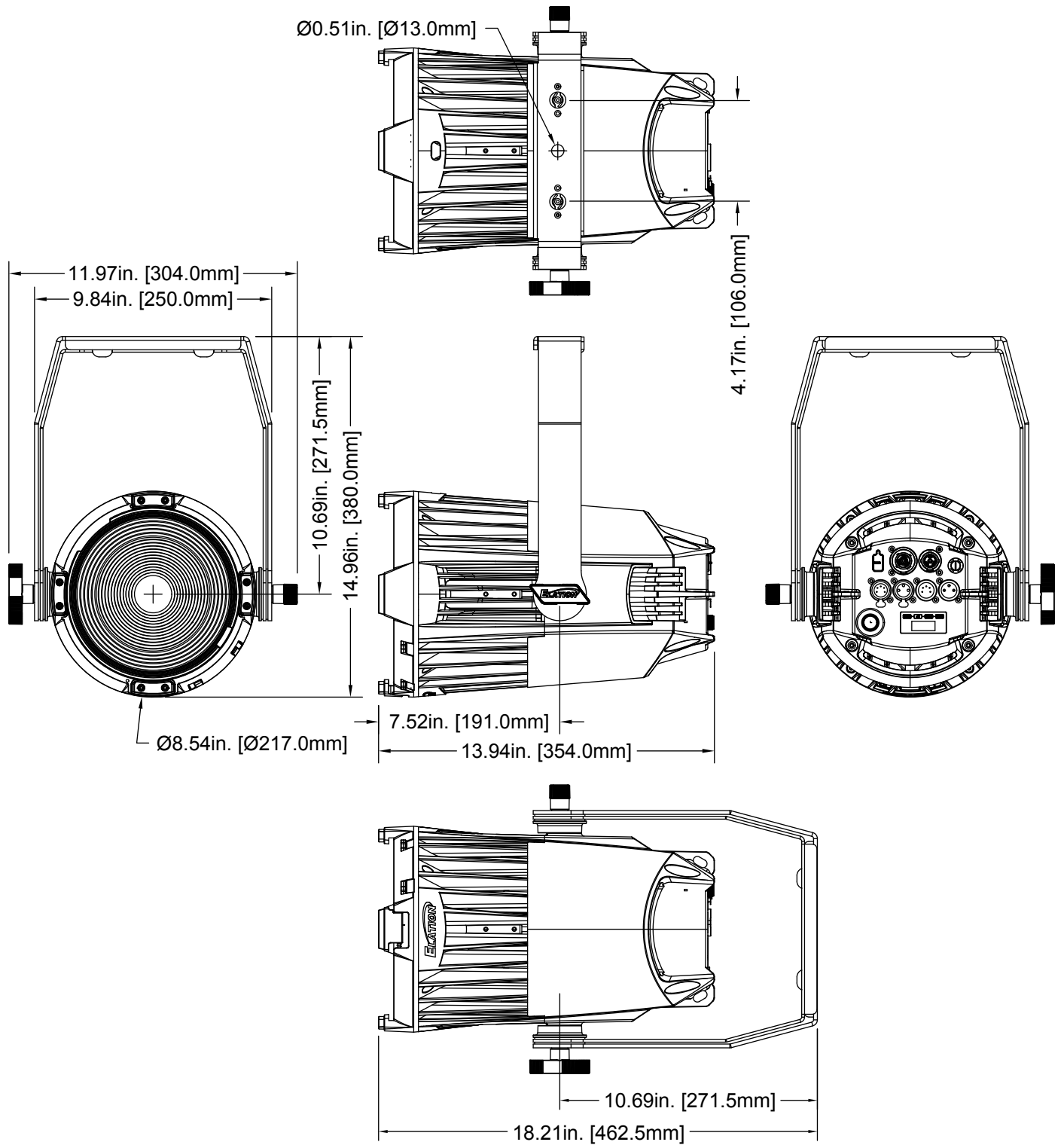
To calculate the CCT value in 16-bit mode, use the following formula:

$$\mathbf{16Bit\ Value = 59391 \times (Desired\ CCT - 2400) / 6100 + 6144}$$

COLOR MACROS CHART

VALUE	FILTER #	COLOR	VALUE	FILTER #	COLOR
1	7	Pale Yellow	31	126	Mauve
2	103	Straw	32	49	Medium Purple
3	151	Gold Tint	33	58	Lavender
4	100	Spring Yellow	34	199	Palace Blue
5	10	Medium Yellow	35	119	Dark Blue
6	101	Yellow	36	132	Medium Blue
7	104	Deep Amber	37	120	Deep Blue
8	15	Deep Straw	38	165	Daylight Blue
9	179	Loving Amber	39	161	Slate Blue
10	21	Gold Amber	40	118	Light Blue
11	105	Orange	41	68	Sky Blue
12	158	Deep Orange	42	143	Pale Navy Blue
13	22	Dark Amber	43	131	Marine Blue
14	778	Millennium Gold	44	115	Peacock Blue
15	135	Deep Golden Amber	45	172	Lagoon Blue
16	24	Scarlet	46	116	Medium Blue Green
17	106	Primary Red	47	90	Dark Yellow Green
18	26	Bright Red	48	139	Primary Green
19	27	Medium Red	49	122	Fern Green
20	19	Fire	50	89	Moss Green
21	157	Pink	51	124	Dark Green
22	36	Medium Pink	52	88	Lime Green
23	111	Dark Pink	53	138	Pale Green
24	128	Bright Pink	54	203	Quarter CT Blue
25	148	Bright Rose	55	202	Half CT Blue
26	332	Special Rose Pink	56	201	FULL CT Blue
27	793	Vanity Fair	57	200	Double CT Blue
28	113	Magenta	58	206	Quarter CT Orange
29	46	Dark Magenta	59	205	Half CT Orange
30	48	Rose Purple	60	204	FULL CT Orange

DIMENSIONAL DRAWINGS



SPECIFICATIONS

SOURCE

280W 6500K RGBMA LED Engine

50,000 Hour Average LED Life*

*May vary depending on several factors including but not limited to:

Environmental Conditions, Power/Voltage, Usage Patterns (On-Off Cycling), Control and Dimming.

PHOTOMETRIC DATA

11.000 Total Lumen Output

CRI 92

TLCI 95

INCLUDED LENSES

VNSP (11°), NSP (22°), MFL (30°), WFL (52°)

EFFECTS

Electronic Dimmer and Strobe

Variable 16-bit Dimming Modes and Curves

COLOR

High Brightness and High Fidelity Output Options

RGBMA Color Array

CMY Emulation

16bit Fully Variable CCT 2400K - 8500K

Green/Magenta Shift

Dim-to-Warm Fade

Virtual Gel Swatch Book

CONTROL / CONNECTIONS

8 DMX Channel Modes (1, 6, 11, 18, 19, 9, 14, 15)

Manual and DMX Controlled Dimmer and Color

Single Rotary Dial

4 Button Control Panel, LED Display

RDM (Remote Device Management)

3/5pin DMX and IP65 Locking Power Cable In/Out

SIZE / WEIGHT

Length: 13.94" (354.0mm)

Width: 11.97" (304.0mm)

Vertical Height: 14.96" (380.0mm)

Weight: 15.98 lbs. (7.25kg)

ELECTRICAL / THERMAL

AC 100-240V - 50/60Hz

284W Max Power Consumption

5°F to 113°F (-15°C to 45°C)

BTU/hr (+/- 10%) 891.76

INCLUDED ITEMS

7.5" Gel Frame

4 Lenses (11°, 22°, 30°, 52°)

IP65 Locking Power Cable

OPTIONAL ITEMS

7.5" Barndoors

XWFL (90°) Lens

Ovalizer Lens

Glass Lens

#8050000053 (Omega Bracket)

APPROVALS / RATINGS

CE | cETLus | IP20 | FCC | UKCA

Specifications and documentation subject to change without notice.

ORDERING INFORMATION

SKU US/EU	ITEM DESCRIPTION
KLP500 / 1236100142	KL PAR FC
KLP555 / PENDING	KL PAR FC WH
KLP959 / 1236100143	7.5" Barndoors
KLP988 / 1236100145	Glass Lens
KLP987 / 1236100144	XWFL Lens
8050000053	Omega Bracket

ERROR CODES

CODE	ERROR
TEMP	Temperature Error



FCC STATEMENT

This device complies with Part 15 of the FCC Rules. Operation is subject to the following two conditions: (1) this device may not cause harmful interference, and (2) this device must accept any interference received, including interference that may cause undesired operation.

FCC RADIO FREQUENCY INTERFERENCE WARNINGS & INSTRUCTIONS

This product has been tested and found to comply with the limits as per Part 15 of the FCC Rules. These limits are designed to provide reasonable protection against harmful interference in a residential installation. This device uses and can radiate radio frequency energy and, if not installed and used in accordance with the included instructions, may cause harmful interference to radio communications. However, there is no guarantee that interference will not occur in a particular installation. If this device does cause harmful interference to radio or television reception, which can be determined by turning the device off and on, the user is encouraged to try to correct the interference by one or more of the following methods:

- Reorient or relocate the device.
- Increase the separation between the device and the receiver.
- Connect the device to an electrical outlet on a circuit different from which the radio receiver is connected.
- Consult the dealer or an experienced radio/TV technician for help.

Energy Saving Matters (EuP 2009/125/EC)

Saving electric energy is a key to help protecting the environment. Please turn off all electrical products when they are not in use. To avoid power consumption in idle mode, disconnect all electrical equipment from power when not in use. Thank you!

