



# KL FRESNEL 6 FC



The **KL FRESNEL 6 FC™** is a full-color-spectrum LED fixture that provides high output, precise color temperature control, full-spectrum color rendering, and even wash coverage. Optimized for the tunable white light requirements of Film and Television, it is an ideal key and fill light source for many situations requiring outstanding performance and color quality, while offering a wide array of rich saturated colors and subtle pastels. The **KL FRESNEL 6 FC** incorporates a highly efficient 5-in-1 (RGBMA) LED engine that produces up to 7,200 field lumens with a manual Zoom range of 10° to 32°. Outstanding color rendering quality, precise CCT presets, and remotely adjustable LED refresh frequency makes this unit the perfect choice for today's fast-paced production environments. Rugged and portable, the fixture can be mounted on a stand or suspended using any standard clamp or the included Junior pin adapter. It is fully self-contained without the need for an external power supply and offers locking power pass-through for easy linking of multiple units. The **KL FRESNEL 6 FC** can be operated through industry-standard DMX protocols and has full RDM support. In addition, it offers manual access using the included encoders and display, providing instant control of Intensity, Color temperature, Green shift, and other important settings. The display and encoders are conveniently positioned at the bottom side of the fixture to ensure unobstructed access while mounted on a stand.

## FEATURES

- 220W RGBMA LED Engine
- Dynamic White + Full Spectrum Color Control
- 7,200 Total Fixture Lumen Output
- 10° to 32° Wide Manual Zoom
- Stand-Alone control with Encoder and LED Display
- Smooth 16-bit Selectable Dimming Modes and Curves
- LED Refresh Rate Adjustment
- Flicker Free Operation for TV and FILM
- RDM (Remote Device Management)
- 8-leaf Barn Doors, Gel Frame and Junior Pin (1 1/8" - 28mm) included



Specifications subject to change without notice ©Elation Professional 05/03/2024

Elation Professional USA | 6122 S. Eastern Ave. | Los Angeles, CA. 90040  
323-582-3322 | 323-832-9142 fax | [www.elationlighting.com](http://www.elationlighting.com) | [info@elationlighting.com](mailto:info@elationlighting.com)

Elation Professional B.V. | Junostraat 2 | 6468 EW Kerkrade, The Netherlands  
+31 45 546 85 66 | +31 45 546 85 96 fax | [www.elationlighting.eu](http://www.elationlighting.eu) | [info@elationlighting.eu](mailto:info@elationlighting.eu)

**PRODUCT SPECIFICATIONS**

**SOURCE**

220W 6500K RGBMA LED Engine  
50,000 Hour Average LED Life\*

\*May vary depending on several factors including but not limited to:  
Environmental Conditions, Power/Voltage, Usage Patterns (On-Off Cycling),  
Control and Dimming.

**PHOTOMETRIC DATA**

7,200 Total Lumen Output  
CRI 92.5  
Zoom Range 10° - 32°  
Beam Angle 9.7° - 32.2°  
Field Angle 18.7° - 49.3°

**EFFECTS**

Manual Zoom  
Electronic Dimmer and Strobe  
Variable 16-bit Dimming Modes and Curves

**COLOR**

RGBMA Color Array  
CMY Emulation  
Variable CCT 2,400K - 8,500K  
Green/Magenta Shift  
Virtual Gel Swatch Book

**CONTROL / CONNECTIONS**

6 DMX Channel Modes (1 to 18 channels)  
Manual and DMX Controlled Dimmer, Color and Zoom  
Direct Access Encoder  
4 Button Control Panel, LED Display  
RDM (Remote Device Management)  
3/5pin DMX and IP65 Locking Power In/Out  
Connection

**SIZE / WEIGHT**

Length: 13.5" (344mm)  
Width: 10.7" (272mm)  
Vertical Height: 15.6" (398mm)  
Weight: 15.9 lbs. (7.2kg)

**ELECTRICAL / THERMAL**

AC 100-240V - 50/60Hz  
219W Max Power Consumption  
5°F to 113°F (-15°C to 45°C)  
BTU/hr (+/- 10%) 687.66

**INCLUDED ITEMS**

Gel Frame and Rotating 8-leaf Barn Doors  
IP65 Locking Power Cable

**APPROVALS / RATINGS**

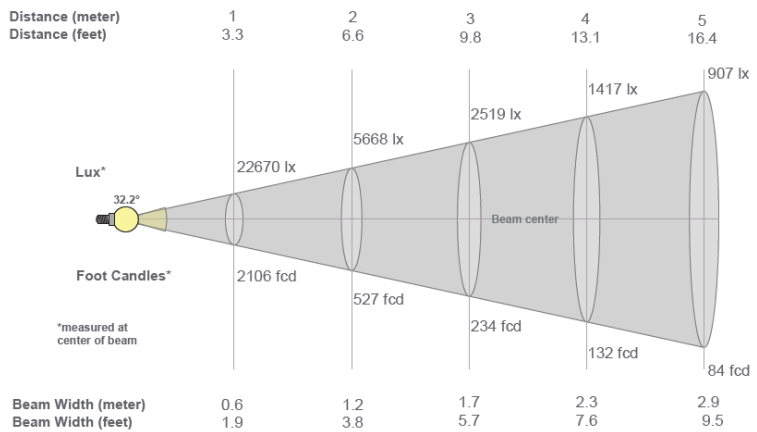
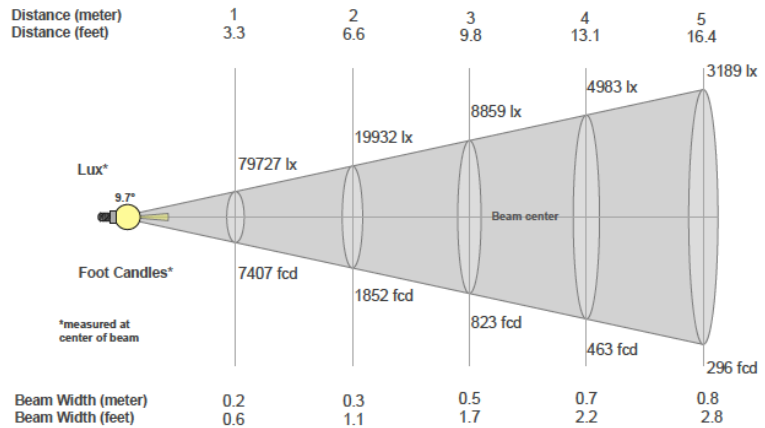
CE | cETLus | IP20

Specifications and documentation subject to change without notice.

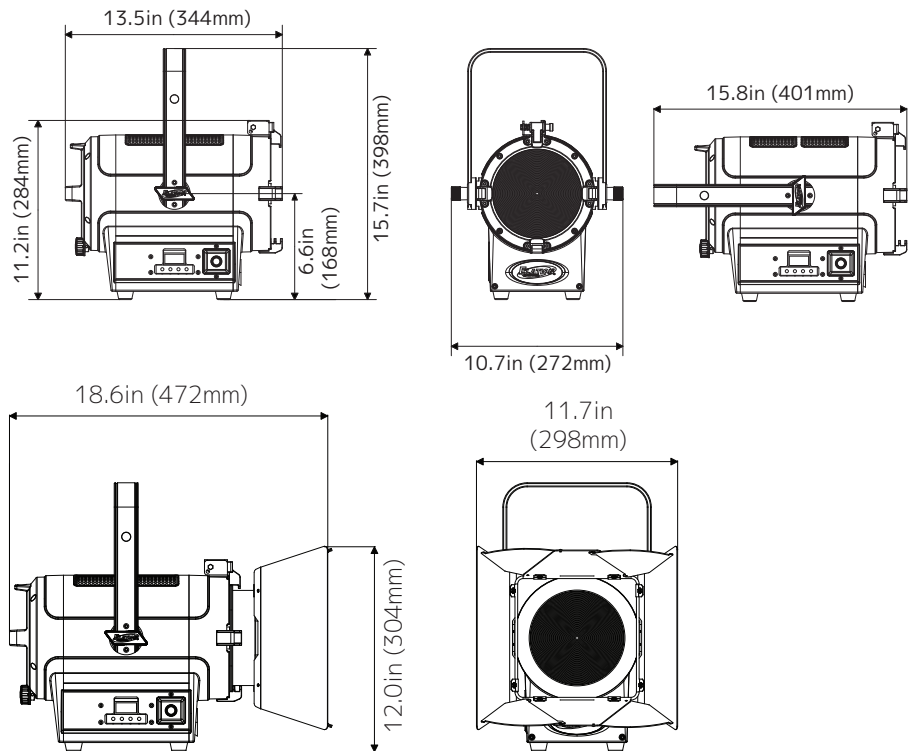
**ORDERING INFORMATION**

KLF846	KL Fresnel 6 FC (US SKU)
1236100185	KL Fresnel 6 FC (EU SKU)

**PHOTOMETRIC DATA**



**DIMENSIONAL DRAWINGS**



\*DRAWINGS NOT TO SCALE



Specifications subject to change without notice ©Elation Professional 05/03/2024

Elation Professional USA | 6122 S. Eastern Ave. | Los Angeles, CA. 90040  
323-582-3322 | 323-832-9142 fax | www.elationlighting.com | info@elationlighting.com

Elation Professional B.V. | Junostraat 2 | 6468 EW Kerkrade, The Netherlands  
+31 45 546 85 66 | +31 45 546 85 96 fax | www.elationlighting.eu | info@elationlighting.eu