



# DTW BLINDER 350 IP™

## user manual

©2023 ELATION PROFESSIONAL all rights reserved. Information, specifications, diagrams, images, and instructions herein are subject to change without notice. ELATION PROFESSIONAL logo and identifying product names and numbers herein are trademarks of ELATION PROFESSIONAL. Copyright protection claimed includes all forms and matters of copyrightable materials and information now allowed by statutory or judicial law or hereinafter granted. Product names used in this document may be trademarks or registered trademarks of their respective companies and are hereby acknowledged. All non-ELATION brands and product names are trademarks or registered trademarks of their respective companies.

**ELATION PROFESSIONAL** and all affiliated companies hereby disclaim any and all liabilities for property, equipment, building, and electrical damages, injuries to any persons, and direct or indirect economic loss associated with the use or reliance of any information contained within this document, and/or as a result of the improper, unsafe, insufficient and negligent assembly, installation, rigging, and operation of this product.

**Elation Professional USA | 6122 S. Eastern Ave. | Los Angeles, CA. 90040**

323-582-3322 | 323-832-9142 fax | [www.elationlighting.com](http://www.elationlighting.com) | [info@elationlighting.com](mailto:info@elationlighting.com)

**Elation Professional B.V. | Junostraat 2 | 6468 EW Kerkrade, The Netherlands**

+31 45 546 85 66 | +31 45 546 85 96 fax | [www.elationlighting.eu](http://www.elationlighting.eu) | [info@elationlighting.eu](mailto:info@elationlighting.eu)

**Elation Professional Mexico | AV Santa Ana 30 | Parque Industrial Lerma, Lerma, Mexico 52000**

+52 (728) 282-7070

## DOCUMENT VERSION



Due to additional product features and/or enhancements, an updated version of this document may be available online. Please scan the QR Code with your mobile device or visit [www.elationlighting.com](http://www.elationlighting.com) for the latest revision/update of this manual, before installation and/or programming.

Date	Document Version	SoftwareVersion ≥	DMX Channel Modes	Notes
02/02/21	2	V1.2.0	01CH, Standard, Extended, 2CH, 2Cell, 2WA, Basic	New DMX Control design and revised DTW curves
06/02/21	3	N/C	No Change	Updated Installation
06/08/23	4	N/C	No Change	Update IP65 Statement

# CONTENTS

<b>General Information</b>	<b>4</b>
<b>IP65 Rated</b>	<b>5</b>
<b>Limited Warranty (USA Only)</b>	<b>6</b>
<b>Safety Guidelines</b>	<b>7</b>
<b>Overview</b>	<b>9</b>
<b>Installation</b>	<b>10</b>
<b>System Menu</b>	<b>15</b>
<b>Dim to Warm Features</b>	<b>17</b>
<b>Dimmer Mode Curves</b>	<b>18</b>
<b>DMX Traits</b>	<b>19</b>
<b>Maintenance Guidelines</b>	<b>21</b>
<b>Specifications</b>	<b>22</b>
<b>Dimensional Drawings</b>	<b>23</b>
<b>Optional Accessories   FCC Statement</b>	<b>24</b>

# GENERAL INFORMATION

## FOR PROFESSIONAL USE ONLY

### INTRODUCTION

Please read and understand the instructions in this manual carefully and thoroughly before attempting to operate this device. These instructions contain important safety and use information.

### UNPACKING

Every device has been thoroughly tested and has been shipped in perfect operating condition. Carefully check the shipping carton for damage that may have occurred during shipping. If the carton is damaged, carefully inspect the device for damage, and be sure all accessories necessary to install and operate the device have arrived intact. In the event damage has been found or parts are missing, please contact our customer support team for further instructions. Please do not return this device to your dealer without first contacting customer support. Please do not discard the shipping carton in the trash. Please recycle whenever possible.

### BOX CONTENTS

- (1) Power Cable
- (2) Removable 25° Narrow Beam Fresnel Lens (Installed)

### CUSTOMER SUPPORT

Contact ELATION Service for any product related service and support needs. Also visit [forums.elationlighting.com](http://forums.elationlighting.com) with questions, comments or suggestions.

**ELATION SERVICE USA - Monday - Friday 8:00am to 4:30pm PST**

**323-582-3322 | Fax 323-832-9142 | [support@elationlighting.com](mailto:support@elationlighting.com)**

**ELATION SERVICE EUROPE - Monday - Friday 08:30 to 17:00 CET**

**+31 45 546 85 63 | Fax +31 45 546 85 96 | [support@elationlighting.eu](mailto:support@elationlighting.eu)**

**REPLACEMENT PARTS** please visit [parts.elationlighting.com](http://parts.elationlighting.com)

**It is strongly recommended to power the fixture down completely when not in use. Doing so will reduce wear on the fixture due to sustained or extended operational periods, thereby maximizing its operational lifespan.**

# IP65 RATED

The **International Protection (IP)** rating system is commonly expressed as “**IP**” (Ingress Protection) followed by two numbers (i.e. IP65), where the numbers define the degree of protection. The first digit (Foreign Bodies Protection) indicates the extent of protection against particles entering the fixture, and the second digit (Water Protection) indicates the extent of protection against water entering the fixture. An **IP65** rated lighting fixture is designed and tested to protect against the ingress of dust (**6**), and low-pressure water jets from any direction (**5**).

**NOTE: THIS FIXTURE IS INTENDED FOR TEMPORARY OUTDOOR USE ONLY!**

**Maritime/Coastal Environment Installations:** A coastal environment is seaside adjacent, and caustic to electronics through exposure to atomized salt-water and humidity, whereas maritime is anywhere within 5-miles of a coastal environment.



**NOT suitable for maritime/coastal environment installations. Installing this fixture in a maritime/coastal environment may cause corrosion and/or excessive wear to the interior and/or exterior components of the fixture. Damages and/or performance issues resulting from installation in a maritime/coastal environment will void the manufactures warranty, and will NOT be subject to any warranty claims and/or repairs.**

Maritime installations require additional preparation, and additional service intervals may be needed given the maritime use. In general, IP ratings presuppose freshwater conditions VS maritime conditions, which are typically more “caustic” to IP fixtures (both internally and externally). A duty-cycle may also be needed when units are not in use. During times of high humidity and colder temperatures, condensation may occur internally so the fixture may require a duty-cycle to bring it up to running temperature, allowing any accumulation of moisture to be expelled via the vent valve. Recommendations can change based on installation environmental circumstances. A waterproof dome or similar device is recommended for use in permanent outdoor installations. When using a dome, refer to manufacturer recommendations for duty-cycle.

**NOTE: NOT ALL FEATURES LISTED ARE AVAILABLE ON ALL FIXTURES; THE FOLLOWING INSTRUCTIONS MAY NOT APPLY. CONTACT SUPPORT FOR ADDITIONAL DETAILS.**

**Exterior Maintenance:** Inspect the exterior every 30-days. The unit must be powered off/disconnected. The chassis should be inspected for any signs of contaminants. Inspect optics to determine if the lens is obstructed, then clean optics and chassis accordingly. Based on initial finding, schedule maintenance accordingly, keeping in mind that exterior maintenance will be required. Even if the luminaires are NOT in use, maintenance will still be needed given its location (exterior use). The use of a durable type of wax on the chassis is recommended since it will help prevent contaminant build up. Inspect both power and data lines for any signs of contaminants or corrosion. Periodically reapplying di-electric grease, especially in coastal environments. If any signs of corrosion/contaminants are present, clean thoroughly, and/or replace connectors, then reapply di-electric grease. Typically, this should be done annually, or any time an opportunity presents itself. As a preventive measure, annual replacement of both vent valves is recommended. The vent valve membrane can become contaminated and/or clogged causing improper venting of humidity within the luminaire. Inspect all mounting hardware as a precaution.

**Interior Maintenance:** Inspect the interior every 30-days. The unit must be powered off/disconnected.

- Inspect zoom/focus mechanism, clean optics, lubricate linear bearings (Krytox oil) as needed, inspect belts for wear
- Inspect all rotating effect wheels, manually rotate them, note any resistance
- Inspect all remaining rotating belts for any wear
- Inspect all fans, clean as needed, check rotation, check connections
- Inspect CMY module, manually move flags and check for signs of resistance, and if needed, clean guide rods first, then reapply a thin layer of grease (moly lube)
- Clean interior with low-volume compressed air, then clean optics prior to reassembly of head covers

Although the base has limited moving parts, the pan belt should also be inspected for wear. Remember to always perform an IP test anytime a cover is removed.

There is no specific time frame regarding the routine replacement of parts such as belts/stepper motors, PCBs, or LEDs. These items should only be replaced on an as needed bases, except for cooling fans, which should be replaced once the luminaries reach 10,000-hours. This is a prophylactic measure intended to keep the unit running as cool as possible, insuring proper function of all internal components. A complete service breakdown is available, please contact [service@elationlighting.com](mailto:service@elationlighting.com) for any needed parts or manuals.

## LIMITED WARRANTY (USA ONLY)

- A. Elation Professional hereby warrants, to the original purchaser, Elation Professional products to be free of manufacturing defects in material and workmanship for a period of two years (730 days), and Elation Professional product rechargeable batteries to be free of manufacturing defects in material and workmanship for a period of six months (180 days), from the original date of purchase. This warranty excludes discharge lamps and all product accessories. This warranty shall be valid only if the product is purchased within the United States of America, including possessions and territories. It is the owner's responsibility to establish the date and place of purchase by acceptable evidence, at the time service is sought.
- B. For warranty service, send the product only to the Elation Professional factory. All shipping charges must be pre-paid. If the requested repairs or service (including parts replacement) are within the terms of this warranty, Elation Professional will pay return shipping charges only to a designated point within the United States. If any product is sent, it must be shipped in its original package and packaging material. No accessories should be shipped with the product. If any accessories are shipped with the product, Elation Professional shall have no liability what so ever for loss and/or damage to any such accessories, nor for the safe return thereof.
- C. This warranty is void if the product serial number and/or labels are altered or removed; if the product is modified in any manner which Elation Professional concludes, after inspection, affects the reliability of the product; if the product has been repaired or serviced by anyone other than the Elation Professional factory unless prior written authorization was issued to purchaser by Elation Professional; if the product is damaged because not properly maintained as set forth in the product instructions, guidelines and/or user manual.
- D. This is not a service contract, and this warranty does not include any maintenance, cleaning or periodic check-up. During the periods as specified above, Elation Professional will replace defective parts at its expense, and will absorb all expenses for warranty service and repair labor by reason of defects in material or workmanship. The sole responsibility of Elation Professional under this warranty shall be limited to the repair of the product, or replacement thereof, including parts, at the sole discretion of Elation Professional. All products covered by this warranty were manufactured after January 1, 1990, and bare identifying marks to that effect.
- E. Elation Professional reserves the right to make changes in design and/or performance improvements upon its products without any obligation to include these changes in any products theretofore manufactured.
- F. No warranty, whether expressed or implied, is given or made with respect to any accessory supplied with the products described above. Except to the extent prohibited by applicable law, all implied warranties made by Elation Professional in connection with this product, including warranties of merchantability or fitness, are limited in duration to the warranty periods set forth above. And no warranties, whether expressed or implied, including warranties of merchantability or fitness, shall apply to this product after said periods have expired. The consumer's and/or dealer's sole remedy shall be such repair or replacement as is expressly provided above; and under no circumstances shall Elation Professional be liable for any loss and/or damage, direct and/or consequential, arising out of the use of, and/or the inability to use, this product.
- G. This warranty is the only written warranty applicable to Elation Professional products and supersedes all prior warranties and written descriptions of warranty terms and conditions heretofore published.

### WARRANTY RETURNS

All returned service items whether under warranty or not, must be freight pre-paid and accompany a return authorization (R.A.) number. The R.A. number must be clearly written on the outside of the return package. A brief description of the problem as well as the R.A. number must also be written down on a piece of paper and included in the shipping container. If the unit is under warranty, you must provide a copy of your proof of purchase invoice. Items returned without a R.A. number clearly marked on the outside of the package will be refused and returned at customer's expense. You may obtain a R.A. number by contacting customer support.



# SAFETY GUIDELINES

This fixture is a sophisticated piece of electronic equipment. To guarantee a smooth operation, it is important to follow all instructions and guidelines in this manual. Elation Professional is not responsible for injury and/or damages resulting from the misuse of this fixture due to the disregard of the information printed in this manual. Only qualified and/or certified personnel should perform installation of this fixture and only the original rigging parts (omega brackets) included with this fixture should be used for installation. Any modifications to the fixture and/or the included mounting hardware will void the original manufacturer's warranty and increase the risk of damage and/or personal injury.



**PROTECTION CLASS 1 - FIXTURE MUST BE PROPERLY GROUNDED.**



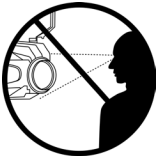
**THERE ARE NO USER SERVICEABLE PARTS INSIDE THIS UNIT.  
DO NOT ATTEMPT ANY REPAIRS YOURSELF; DOING SO WILL VOID YOUR MANUFACTURER'S WARRANTY. DAMAGES RESULTING FROM MODIFICATIONS TO THIS FIXTURE AND/OR THE DISREGARD OF SAFETY INSTRUCTIONS AND GUIDELINES IN THIS MANUAL VOID THE MANUFACTURER'S WARRANTY AND ARE NOT SUBJECT TO ANY WARRANTY CLAIMS AND/OR REPAIRS.**



**ENSURE ALL CONNECTIONS AND END CAPS ARE PROPERLY SEALED WITH A DIELECTRIC GREASE (AVAILABLE AT MOST ELECTRICAL SUPPLIERS) TO PREVENT WATER CORROSION AND/OR ELECTRICAL SHORT CIRCUIT.**



**DO NOT PLUG FIXTURE INTO A DIMMER PACK!  
NEVER OPEN THIS FIXTURE WHILE IN USE!  
UNPLUG POWER BEFORE SERVICING FIXTURE!  
NEVER TOUCH FIXTURE DURING OPERATION, AS IT MAY BE HOT!  
KEEP FLAMMABLE MATERIALS AWAY FROM FIXTURE!**



**NEVER LOOK DIRECTLY INTO THE LIGHT SOURCE!  
RETINA INJURY RISK - MAY INDUCE BLINDNESS!  
SENSITIVE PERSONS MAY SUFFER AN EPILEPTIC SHOCK!**



**MINIMUM DISTANCE TO OBJECTS/SURFACES  
MUST BE 1.6 FEET (0.5 METERS)  
MAXIMUM AMBIENT OPERATING TEMPERATURE 113°F (45°C)  
MINIMUM DISTANCE OF INFLAMMABLE MATERIALS  
FROM THE SURFACE 1.6 FEET (0.5 METER)**

# SAFETY GUIDELINES

**DO NOT TOUCH** the fixture housing during operation. Turn OFF the power and allow approximately 15 minutes for the fixture to cool down before serving.

**DO NOT** shake fixture, avoid brute force when installing and/or operating fixture.

**DO NOT** operate fixture if the power cord is frayed, crimped, damaged and/or if any of the power cord connectors are damaged and do not insert into the fixture securely with ease. **NEVER** force a power cord connector into the fixture. If the power cord or any of its connectors are damaged, replace it immediately with a new one of similar power rating.

**DO NOT** block any air ventilation slots.

All fan and air inlets must remain clean and never blocked.

Allow approx. 6" (15cm) between fixture and other devices or a wall for proper cooling.

Always disconnect fixture from main power source before performing any type of service and/or cleaning procedure. Only handle the power cord by the plug end, never pull out the plug by tugging the wire portion of the cord.

During the initial operation of this fixture, a light smoke or smell may emit from the interior of the fixture. This is a normal process and is caused by excess paint in the interior of the casing burning off from the heat associated with the lamp and will decrease gradually over time.

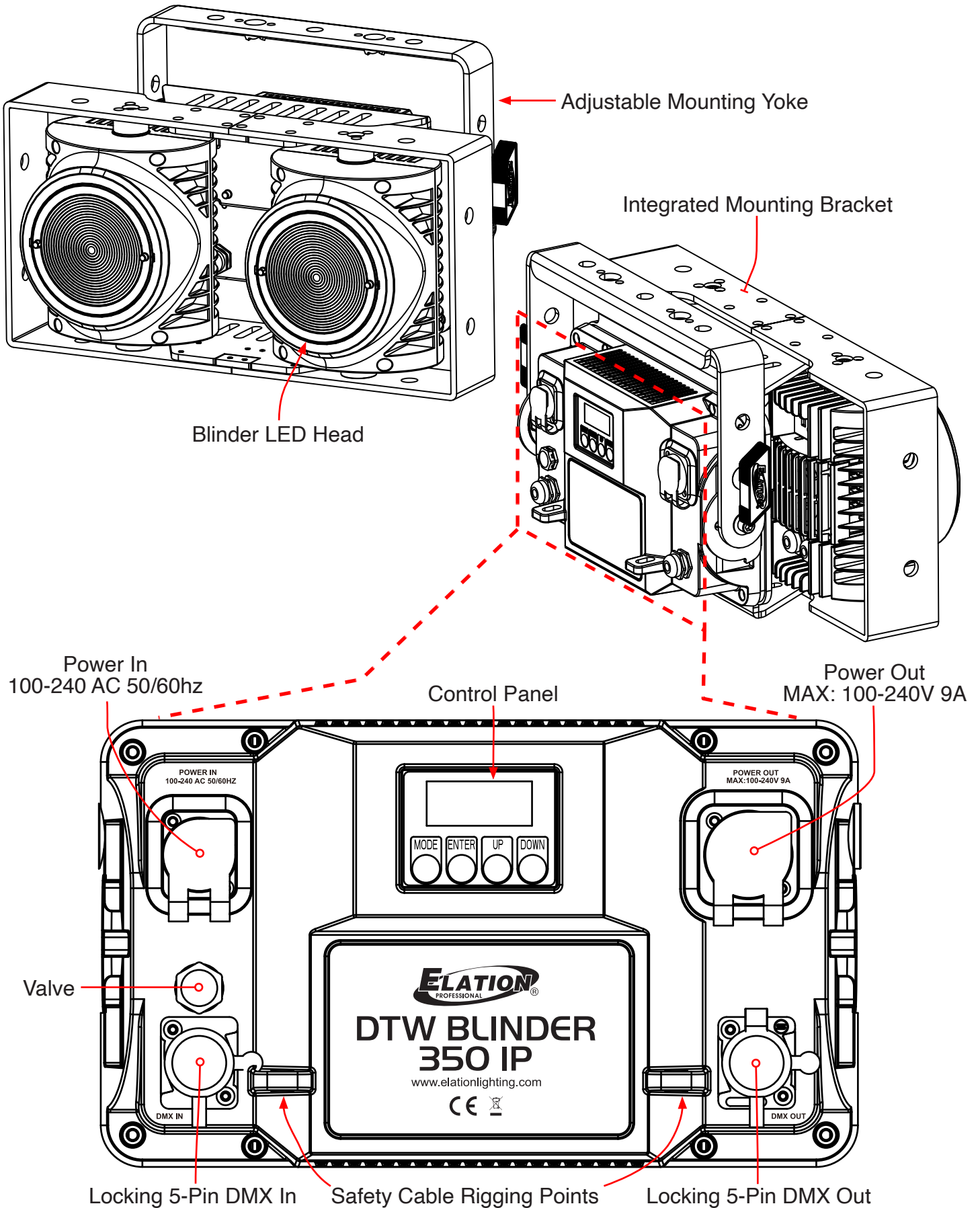
Consistent operational breaks will ensure fixture will function properly for many years.

**ONLY** use the original packaging and materials to transport the fixture in for service.

**It is strongly recommended to power the fixture down completely when not in use. Doing so will reduce wear on the fixture due to sustained or extended operational periods, thereby maximizing its operational lifespan.**



# OVERVIEW



# INSTALLATION



## FLAMMABLE MATERIAL WARNING

Keep fixture minimum 5.00feet (1.5m) away from flammable materials and/or pyrotechnics.



## ELECTRICAL CONNECTIONS

A qualified electrician should be used for all electrical connections and/or installations.



**USE CAUTION WHEN POWER LINKING OTHER MODEL FIXTURES AS THE POWER CONSUMPTION OF OTHER MODEL FIXTURES MAY EXCEED THE MAX POWER OUTPUT ON THIS FIXTURE. CHECK SILK SCREEN FOR MAX AMPS.**



**MINIMUM DISTANCE TO OBJECTS/SURFACES MUST BE 1 FOOT (0.3 METERS)**



**MINIMUM DISTANCE OF INFLAMMABLE MATERIALS FROM THE SURFACE 1.6 FEET (0.5 METERS)**



**AMBIENT TEMPERATURE RANGE 5° - 113° F (-15°C - 45°C)**



**DO NOT INSTALL THE FIXTURE IF YOU ARE NOT QUALIFIED TO DO SO!**

Fixture **MUST** be installed following all local, national, and country commercial electrical and construction codes and regulations.

Before rigging/mounting a single fixture or multiple fixtures to any metal truss/structure or placing the fixture(s) on any surface, a professional equipment installer **MUST** be consulted to determine if the metal truss/structure or surface is properly certified to safely hold the combined weight of the fixture(s), clamps, cables, and accessories.

Overhead rigging requires extensive experience, including amongst others calculating working load limits, installation material being used, and periodic safety inspection of all installation material and the fixture. If you lack these qualifications, do not attempt the installation yourself. Improper installation can result in bodily injury.

Fixture(s) should be installed in areas outside walking paths, seating areas, or away from areas where unauthorized personnel might reach the fixture by hand.

**NEVER** stand directly below the fixture(s) when rigging, removing, or servicing.

Overhead fixture installation must always be secured with a secondary safety attachment, such as an appropriately rated safety cable.

Allow approximately 15 minutes for the fixture to cool down before serving.

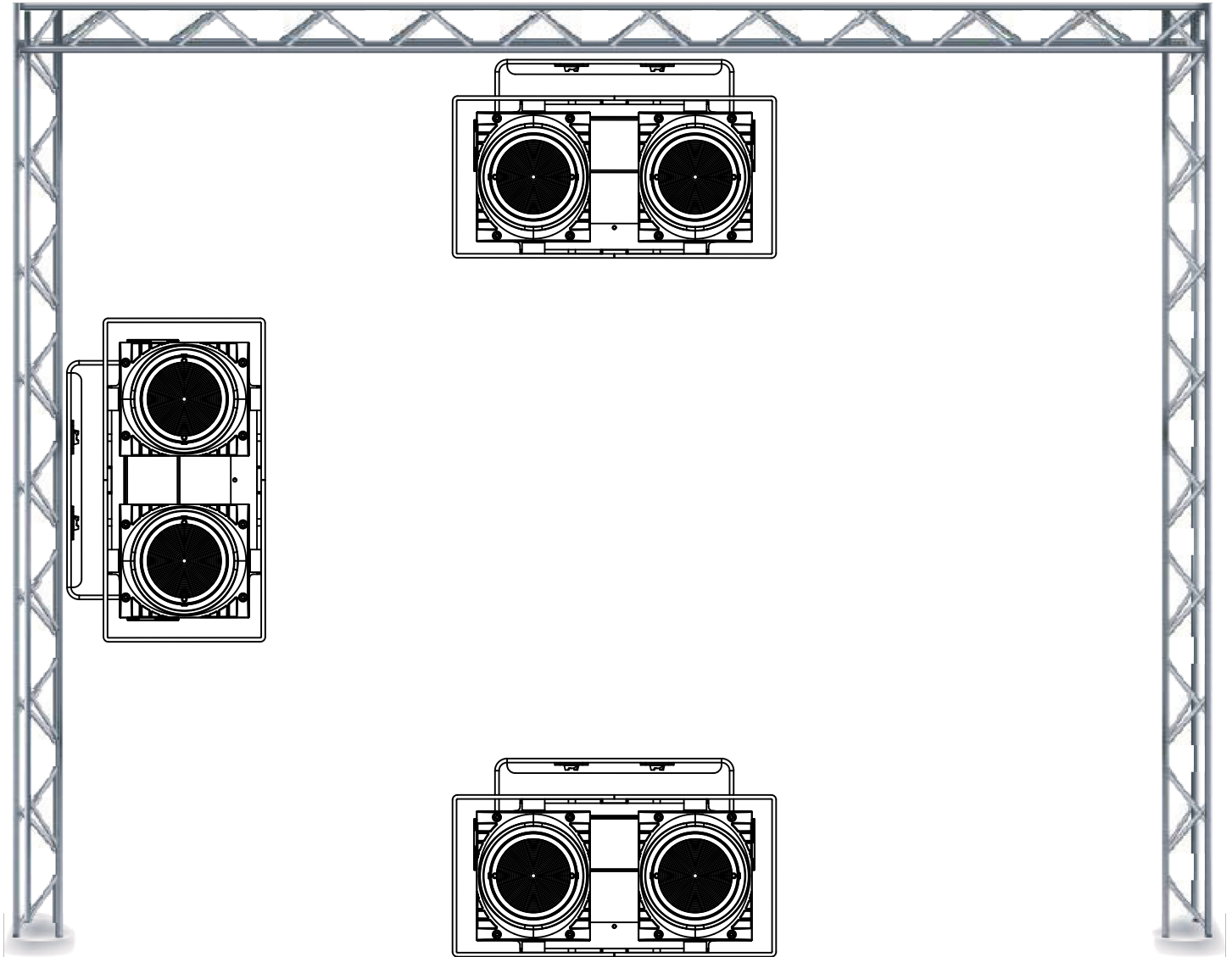
# INSTALLATION

## CLAMP INSTALLATION

The fixture provides an integrated mounting bracket / yoke. When mounting this fixture to truss be sure to secure an appropriately rated clamp to the mounting bracket / yoke using a M10 screw fitted through the center hole. Be sure to attach an appropriate Safety Cable (not included) to the fixture using the safety cable rigging point integrated into the back of the fixture.

## RIGGING

Overhead rigging requires extensive experience, including among others calculating working load limits, installation material being used, and periodic safety inspection of all installation material and the fixture. If you lack these qualifications, do not attempt the installation yourself. Improper installation can result in bodily injury. Fixture is fully operational in the specific mounting positions illustrated below.



**FALLING FIXTURES CAN CAUSE SEVERE INJURY OR SERIOUS EQUIPMENT DAMAGE! FOR THIS REASON, FIXTURES SHOULD BE INSTALLED AND INSPECTED ONLY BY QUALIFIED PERSONNEL. DO NOT INSTALL THE UNIT IF YOU LACK THE QUALIFICATIONS TO DO SO, OR IF YOU HAVE DOUBTS ABOUT THE SAFETY AND SECURITY OF THE INSTALLATION SETUP OR LOCATION!**



**ALWAYS ATTACH A SAFETY CABLE WHENEVER INSTALLING THIS FIXTURE IN A SUSPENDED ENVIRONMENT TO ENSURE THE FIXTURE WILL NOT FALL IF THE CLAMP FAILS.**

# INSTALLATION

## CONNECTOR PANEL

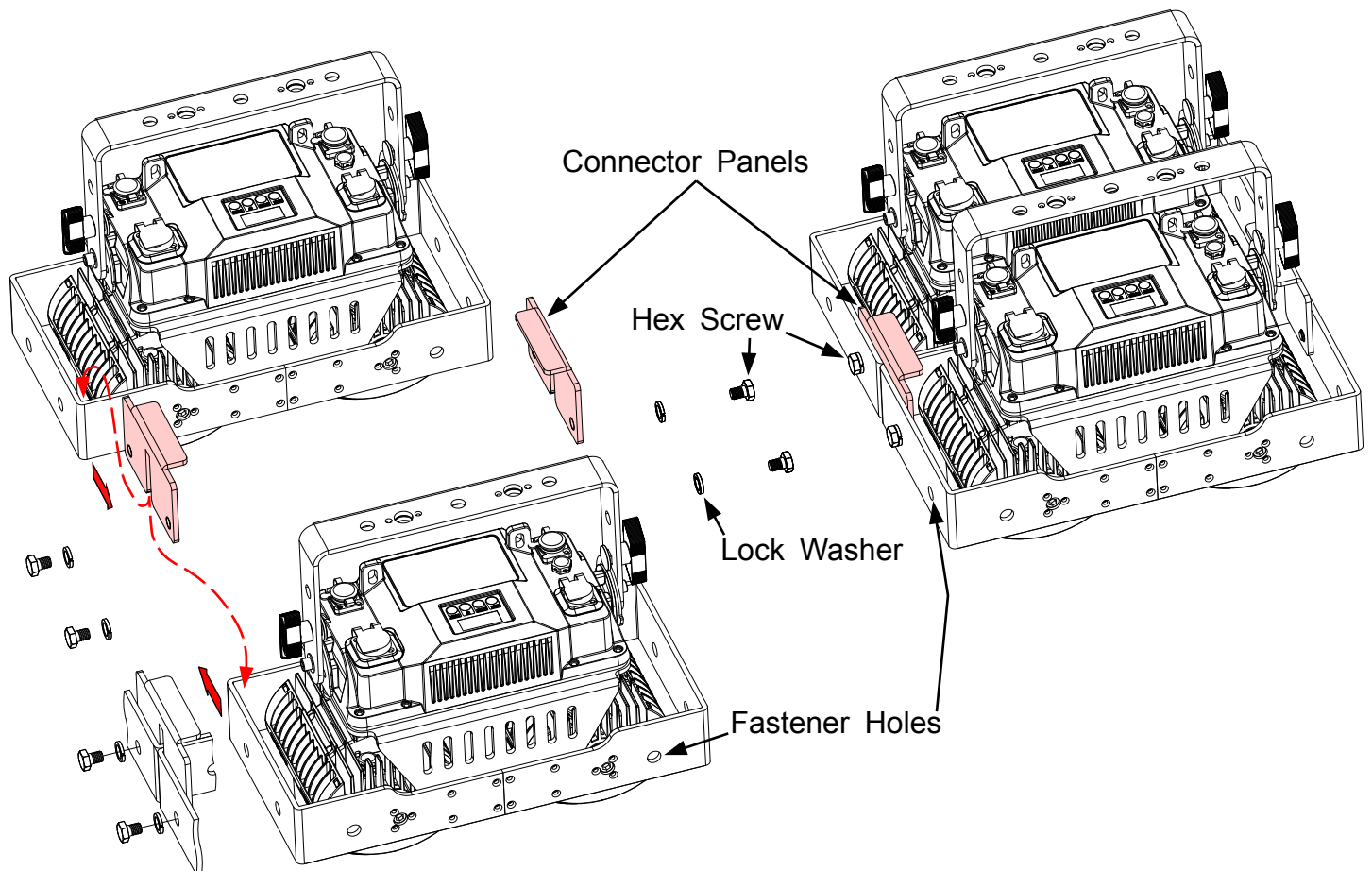
The Connector Panel Set is a set of plates that can be used to connect two DTW Blinder units together.

Connector Panels are compatible with both DTW Blinder 350 IP and DTW Blinder 700 IP models. Connector Panels may be used to connect two units of the same model type (for example, a 350 IP to a 350 IP, or a 700 IP to a 700 IP), or they may be used to connect one unit of each model type (for example, a 350 IP and a 700 IP).

The maximum number of units that may be connected using the Connector Panels are as follows:  
DTW Blinder 350 IP: 3 units max  
DTW Blinder 700 IP: 2 units max

## DO NOT EXCEED THIS MAXIMUM NUMBER OF UNITS!

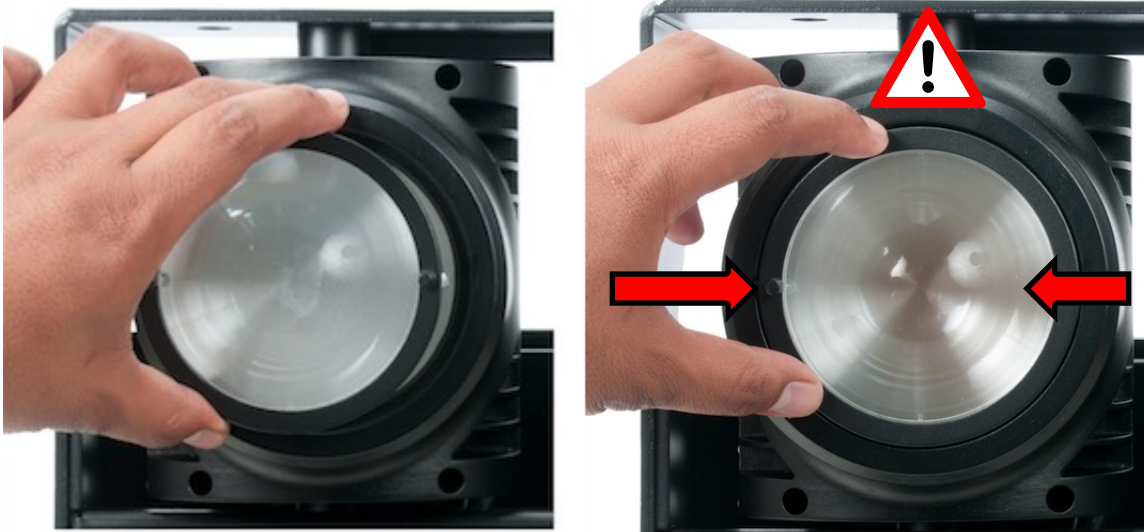
Always make sure to use a secondary safety cable when installing this fixture in a suspended environment. The safety cable should be used to link the designated attachment point on the device to a secure mounting point or section of trussing. This will ensure that the fixture will not fall if the mounting clamp fails.



# INSTALLATION

## 25° NARROW BEAM FRESNEL FILTER INSTALLATION

1. Hold lens filter in front of the COB module so that both small black raised plastic tabs are positioned horizontal at 9 and 3 o'clock. (See image below left)
2. Insert lens into COB module. (See image below right)



3. While applying gentle pressure against the lens, slowly turn the lens counterclockwise a  $\frac{1}{4}$  turn, until both small black raised plastic tabs are positioned vertical at 12 and 6 o'clock. (See image below).



**BEFORE THE FIXTURE IS INSTALLED ON TRUSS AND/OR RIGGING, ENSURE ALL LENS FILTERS ARE SECURELY INSTALLED AS ILLUSTRATED ABOVE.**



# INSTALLATION

## POWER LINKING

Max number of DTW BLINDER 350 IP™ units power linked together:  
3 units @120V | 6 units @240V



**NOTE: USE CAUTION WHEN POWER LINKING OTHER FIXTURES TO DTW BLINDER 350 IP™!**  
**POWER CONSUMPTION OF OTHER LIGHTING FIXTURES WILL VARY!**  
**ALWAYS CHECK MAX AMP OUT RATING PRINTED ON THE REAR CONNECTION PANEL!**

## SOFTWARE UPDATES

For optimal operation, this fixture may require improved software. Compare the software shown during boot-up or in the display menu against the version number indicated at the start of this document.

The DTW Blinder 350 IP can be updated through the DMX cable using the C-Loader device, which can be purchased from Elation Professional.

The latest software is available for download from the DTW Blinder 350 IP product page. Please review and follow the update instruction outlined in the C-Loader user manual.

# SYSTEM MENU

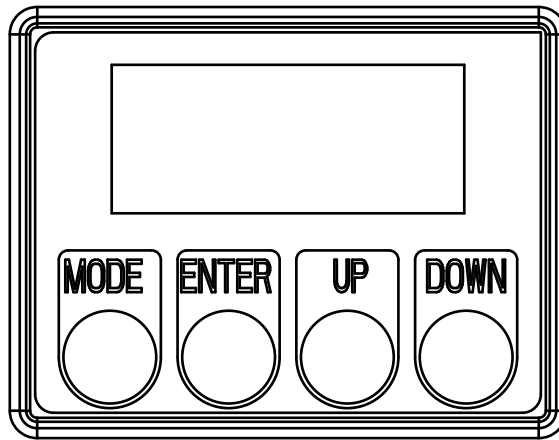
The fixture comes with an easy to navigate system menu. The control panel (see image below) located on the front the fixture provides access to the main system menu and is where all necessary system adjustments are made to the fixture. During normal operation, pressing **MODE** button once will access the fixture's main menu. Once in the main menu you can navigate through the different functions and access the sub-menus with the **UP** and **DOWN** buttons. Once you reach a field that requires adjusting, press the **ENTER** button to activate that field and use the **UP** and **DOWN** buttons to adjust the field. Pressing the **ENTER** button once more will confirm your setting. You may exit the main menu at any time without making any adjustments by pressing the **MODE/ESC** button.

## LCD CONTROL PANEL LOCKOUT FEATURE

When the **AUTO LOCK** menu is set to **ON** (default setting); the LCD control panel display will turn OFF and become LOCKED after non-use. To UNLOCK, press the **ENTER** button followed by pressing and holding the **MODE** button until the LCD control panel display is UNLOCKED.

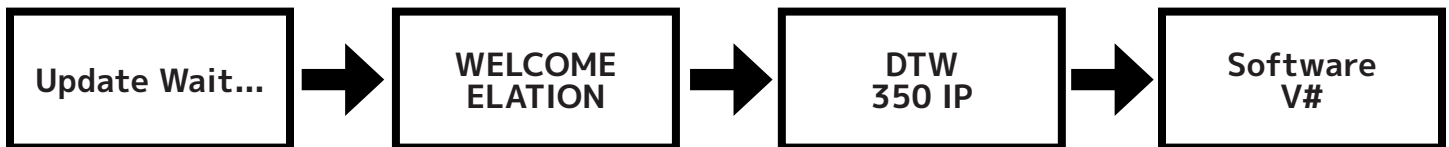
When the **AUTO LOCK** menu is set to **ON1** and is LOCKED, follow these steps to UNLOCK:

1. When locked, the display will show: **LOCKED\*\*\*\*\***
2. Press **UP**, then the display will change to: **LOCKED\*\*\*\*** (one \* disappears)
3. Press **DOWN**, then the display will change to: **LOCKED\*\*\*** (two \* disappear)
4. Press **UP**, then the display will change to: **LOCKED\*\*** (three \* disappear)
5. Press **DOWN**, then the display will change to: **LOCKED\*** (4 \* disappear)
6. Press **ENTER**, then the display will change to **LOCKED** and then become unlocked.



## INFORMATION DISPLAYED DURING INITIAL POWER ON

When the fixture is initially powered ON, the display shows the following information:



**AN ELATION C-LOADER II CAN BE USED TO UPDATE THE FIXTURE TO THE LATEST SOFTWARE. TO ORDER THIS DEVICE, PLEASE CONTACT ELATION SUPPORT FOR FURTHER DETAILS.**

**ELATION SERVICE USA - Monday - Friday 8:00am to 4:30pm PST  
323-582-3322 | Fax 323-832-9142 | support@elationlighting.com**

**ELATION SERVICE EUROPE - Monday - Friday 08:30 to 17:00 CET  
+31 45 546 85 63 | Fax +31 45 546 85 96 | support@elationlighting.eu**



# SYSTEM MENU

MAIN MENU	OPTIONS / VALUES (Default Settings in <b>BOLD</b> )		DESCRIPTION
DMX ADDR	001 ~ 512		Set the DMX Address
DMX MODE	<b>01CH</b> , Standard, Extended, 2CH, 2Cell, 2WA, Basic		Set DMX Channel / User Mode
SECONDARY MODE			Secondary Mode
STATIC	Dim	000 - <b>255</b>	Set Manual Dimmer Value
	Flash	000 - <b>255</b>	Set Manual Strobe Value
	WW	000 - <b>255</b>	Set Manual Warm White Value
	Amber	000 - <b>255</b>	Set Manual Amber Value
FADING	SPEED:	<b>00</b> - 99	Set Fading Program Speed
	FLASH	<b>000</b> - 255	Set Fading Program Flash Rate
DIMMER	<b>Standard</b> , Tungsten, Stage, TV, Architec, Theatre, Stage2, 0-10s		Set Dimmer
WHITEBAL	WW1:	050 - <b>255</b>	Set WW Balance Value for Pixel #1
	A1:	050 - <b>255</b>	Set Amber Balance Value for Pixel #1
	WW2:	050 - <b>255</b>	Set WW Balance Value for Pixel #2
	A2:	050 - <b>255</b>	Set Amber Balance Value for Pixel #2
NO DMX	<b>Hold</b> / Black		Function If NO DMX Detected
AUTOLOCK	<b>ON</b> / ON1 / OFF		Control Front Panel Buttons Key Lock. - ON: Unlock by pressing MODE for 3s - ON1: Press UP, DOWN, UP, DOWN, ENTER to unlock
DIMCURVE	Linear, Square, Inv. Squa, <b>S-Curve</b>		Set Dimming Curve
DTW	<b>On</b> , Off		Set DTW setting
TEMPUNIT	°F, °C		Temperature Display F° / C°
SYSTEM TEMP	LED1	XXX °F / °C	Displays Temperature of LED #1
	LED2	XXX °F / °C	Displays Temperature of LED #2
FAN SET	Auto, High, Silent		Select fan setting
LED_FREQ	0.9Khz~25Khz (Default: <b>1.2Khz</b> )		Set LED refresh rate
CELLORDR	<b>Standard</b> , Inverted		Set which cell is Cell 1 and Cell 2
DEFAULT	<b>OFF</b> / ON		Restore Factory Settings

# DIM TO WARM FEATURES

## DTW MODE (CONTROL CHANNEL)

This feature can be enabled or disabled via DMX control, or via the display screen on the back of the device.

- **Disabled:** Amber and White function independently, allowing each color to be adjusted separately without affecting the other color.
- **Enabled:** The adjustment of Amber and White are linked together in such a way as to emulate the warming up of a tungsten fixture. As the White levels are adjusted, Amber will automatically be mixed in as needed. Any previously set or manually entered Amber levels will be overridden.

## DIMMER CURVES

Dimmer Curves correlate a DMX value to a specific light output level of the fixture. Four curves are available and allow the user to tailor the performance of the fixture to his or her needs:

- Linear
- Square
- Inverse Square
- S-Curve (Default)

The S-Curve Dimmer Curve is ideal for controlling a blinder-type fixture, as it features a smooth bottom and has no harsh reduction in lighting intensity when fading down from 100% output. When operating in a DTW-enabled setting with manual fader control, the S-Curve will provide the most natural feel.

## DIM MODES

The Dim Modes control the timing of fixture lighting according to predefined curves or timing delays. This aids in smoothing out the dimming behavior of the fixture, allowing it to emulate the naturally occurring dimming patterns of conventional lighting fixtures.

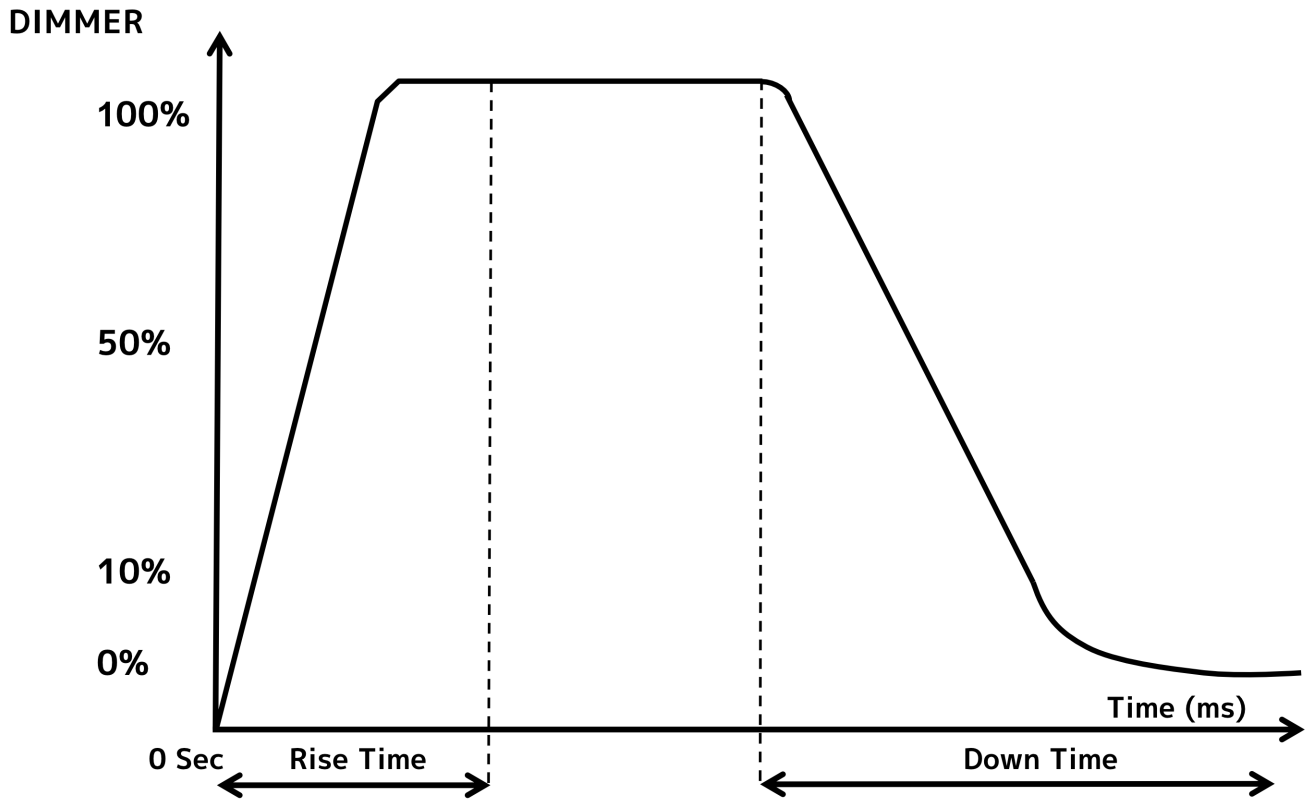
- 7 distinct modes are available:
- Standard (no timing delay)
- Tungsten (default setting for DTW fixture)
- Stage
- Stage2
- Architectural
- Theatre
- 0-10s Delay

Tungsten Mode is the default setting for DMX channel modes that do not include a Dim Mode control channel. By contrast, for DMX channel modes that include a Dim Mode control channel, the default Dim Mode is Standard. In this case, the user can still opt for dimming behavior that emulates a tungsten fixture by setting the Dim Mode channel to a DMX value of 15. The Dim Mode channel must remain at this value for as long as this effect is desired.

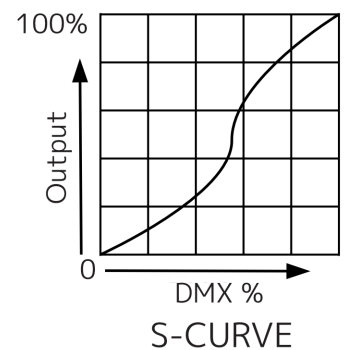
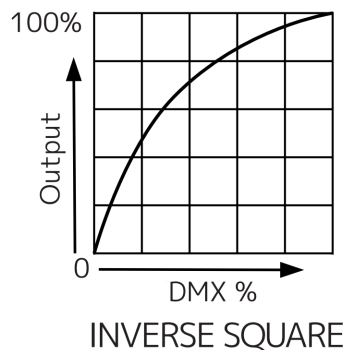
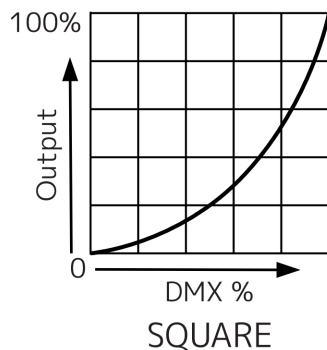
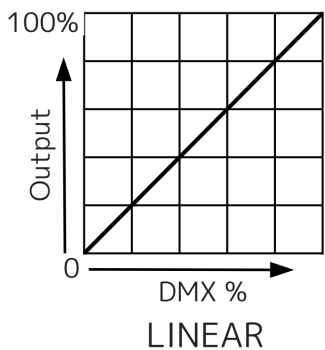
Experimentation with the different Dim Modes is highly encouraged, in order to determine which mode best suits the requirements of the application. Dim Modes impact only the timing of lighting intensity changes and have no effect on the dimmer output curve or color shift. Dim Modes change instantly when selected and remain active only as long as the relevant DMX channel is held at the specified value.

Please refer to the chart on the following page for details.

# DIMMER MODE



Dimming Curve Ramp Effect	0 sec Fade Time		1 sec Fade Time	
	Rise Time (ms)	Down Time (ms)	Rise Time (ms)	Down Time (ms)
Standard (default)	0	0	0	0
Stage	780	1100	1540	1660
TV	1180	1520	1860	1940
Architectural	1380	1730	2040	2120
Theatre	1580	1940	2230	2280
Stage 2	0	1100	0	1660



# DMX TRAITS

Features subject to change without notice. *Control of Pixels depends on the fixture installation orientation.								
DMX CHANNEL MODE							DMX VALUE	FUNCTION
1CH	Standard	Extended	2CH	2Cell	2WA	Basic		
	1	1						<b>Strobe</b>
							0-31	Closed
							32-63	Open
							64-95	Strobe, slow to fast
							96-127	Open
							128-159	Pulse, slow to fast
							160-191	Open
							192-223	Random, slow to fast
							224-255	Open
1	2	2				1	0-255	<b>Master Intensity</b> , Closed to Open
	3	3				2	0-255	<b>Master Intensity Fine</b> , Closed to Open
								<b>Dim Modes</b>
							0-10	Standard
							11-20	Tungsten (default)
							21-40	<b>Stage</b>
							41-60	TV
							61-80	Architectural
							81-100	Theatre
							101-120	Stage 2
								<b>Dimmer Delay Time</b>
							121	0s
							122	0.1s
							123	0.2s
							124	0.3s
							125	0.4s
							126	0.5s
							127	0.6s
							128	0.7s
							129	0.8s
							130	0.9s
							131	1.0s
							132	1.5s
							133	2.0s
							134	3.0s
							135	4.0s
							136	5.0s
							137	6.0s
							138	7.0s
							139	8.0s
							140	9.0s
							141	10s
							142-255	Default

# DMX TRAITS

Features subject to change without notice. *Control of Pixels depends on the fixture installation orientation.								
DMX CHANNEL MODE							DMX VALUE	FUNCTION
1CH	Standard	Extended	2CH	2Cell	2WA	Basic		
								<b>Control</b>
							0-4	Idle
							5-6	Fan Silent
							7-8	Fan Auto (default)
							9-10	Fan High
								<b>Change Cell Order, hold 3s</b>
							11-15	Standard (default)
							16-20	Inverted
							21-25	Idle
							26-30	Snake
							31-35	Snake Inverted
							36-40	Snake Rotated
							41-100	Idle
								<b>Change Refresh Rate (Hz0, Instant</b>
							101-105	900
							106-110	1000
							111-115	1100
							116-120	1200 (default)
							121-125	1300
							126-130	1400
							131-135	1500
							136-140	2500
							141-145	4000
							146-150	5000
							151-160	10000
							161-165	15000
							166-170	20000
							171-175	25000
							176-200	Idle
								<b>Dimmer Curves, hold 3s</b>
							201-210	Linear
							211-220	Square
							221-220	Inverse Square
							231-240	S-Curve (default)
								<b>DTW Mode</b>
							241-245	Dim to Warm Enabled (default)
							246-250	Dim to Warm Disabled
							251-255	Idle
	6		1			3	0-255	<b>White, All Cells, 0-100%</b>
	7		2			4	0-255	<b>Amber, All Cells, 0-100%</b>
		6		1	1		0-255	<b>White/DTW, Cell 1, 0-100%</b>
		7			2		0-255	<b>Amber/DTW, Cell 2, 0-100%</b>
		8		2	3		0-255	<b>White/DTW, Cell 2, 0-100%</b>
		9			4		0-255	<b>Amber, Cell 2, 0-100%</b>

# MAINTENANCE GUIDELINES



**DISCONNECT POWER BEFORE PERFORMING ANY MAINTENANCE!**

## CLEANING

Frequent cleaning is recommended to insure proper function, optimized light output, and an extended life. The frequency of cleaning depends on the environment in which the fixture operates: damp, smoky or particularly dirty environments can cause greater accumulation of dirt on the fixture's optics. Clean the external lens surface at least every 20 days with a soft cloth to avoid dirt/debris accumulation.

**NEVER** use alcohol, solvents, or ammonia-based cleaners.

## MAINTENANCE

Regular inspections are recommended to insure proper function and extended life.

There are no user serviceable parts inside this fixture, please refer all other service issues to an authorized Elation service technician. Should you need any spare parts, please order genuine parts from an authorized Elation dealer.

Please refer to the following points during routine inspections:

A detailed electric check by an approved electrical engineer every three months, to make sure the circuit contacts are in good condition and prevent overheating.

Be sure all screws and fasteners are securely tightened at all times. Loose screws may fall out during normal operation resulting in damage or injury as larger parts could fall.

Check for any deformations on the housing, color lenses, rigging hardware and rigging points (ceiling, suspension, trussing). Deformations in the housing could allow for dust to enter into the fixture. Damaged rigging points or unsecured rigging could cause the fixture to fall and seriously injure a person(s).

Electric power supply cables must not show any damage, material fatigue or sediments.

**NEVER** remove the ground prong from the power cable.

# SPECIFICATIONS

## SOURCE

(2) 175W 2-in-1 Warm White/Amber COB LEDs  
50,000 Hour Average LED Life\*

\*LED Life may vary depending on several factors including but not limited to:

Environmental Conditions, Power/Voltage, Usage Patterns (On-Off Cycling), Control, and Dimming.

## PHOTOMETRIC DATA (Full ON)

4,216 LUX 391.7 FC (15° @ 9.8 ft / 3m w/Fresnel lens)

593 LUX 51.1 FC (65° @ 9.8 ft / 3m w/No Fresnel lens)

## EFFECTS

Pixel Control

15° Narrow Beam Angle with included Fresnel Lens

65° Wide Beam Angle with Fresnel Lens removed

Unique Dim-to-Warm Channel Control (1,800K - 3,200K)

Independent Dimming of Each COB LED Module

Electronic Strobe and Variable Dimming Curves

## COLOR

Warm White / Amber

## CONTROL / CONNECTIONS

(9) DMX Channel Modes (9 Total Channels)

RDM (Remote Device Management)

4 Button Control Panel and LCD Menu Display

IP Rated 5pin DMX In/Out

IP65 Locking Power Cable In/Out

With Wired Digital Communication Network

## SIZE / WEIGHT

Length: 15.7" (400mm)

Width: 9.5" (241mm)

Horizontal Height: 9.6" (245mm)

Weight: 18.0 lbs. (8.2 kg)

## ELECTRICAL / THERMAL

AC 100-240V - 50/60Hz

310W Max Power Consumption

Multiple Unit Power Linking

5°F to 113°F (-15°C to 45°C)

## APPROVALS / RATINGS

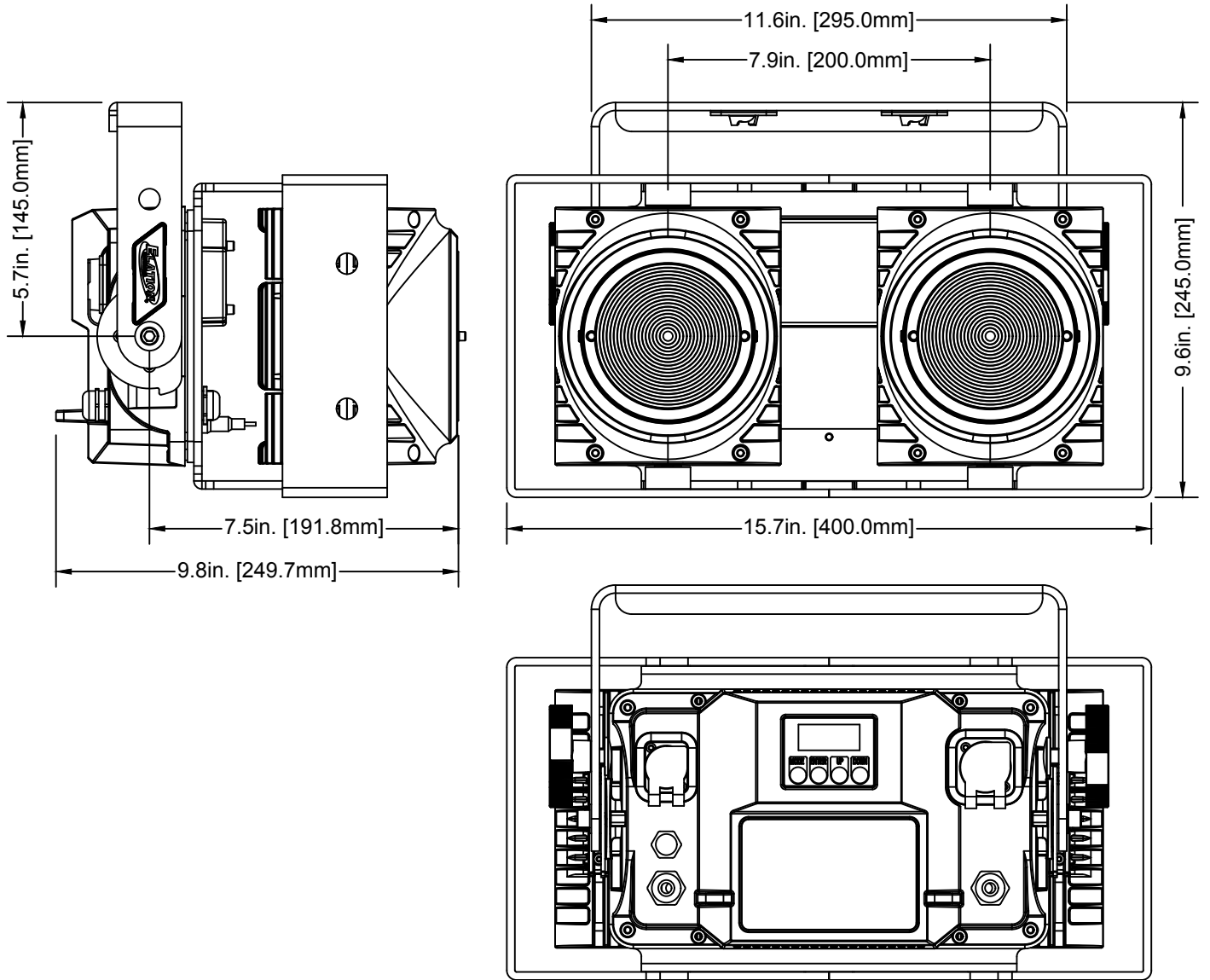
CE | cETLus | IP65

Specifications and documentation subject to change without notice.



# DIMENSIONS

\*Drawings not to scale. Specifications and improvements in the design of this unit and this manual are subject to change without notice.



# OPTIONAL ACCESSORIES

ORDER CODE	ITEM
TRIGGER CLAMP	Heavy Duty Wrap Around Hook Style Clamp
NEU088	3 ft. (1m) Power Cable (additional cable lengths available)
C-Loader	C-LOADER Software Uploader

## FCC STATEMENT

This device complies with Part 15 of the FCC Rules. Operation is subject to the following two conditions: (1) this device may not cause harmful interference, and (2) this device must accept any interference received, including interference that may cause undesired operation.

## FCC RADIO FREQUENCY INTERFERENCE WARNINGS & INSTRUCTIONS

This product has been tested and found to comply with the limits as per Part 15 of the FCC Rules. These limits are designed to provide reasonable protection against harmful interference in a residential installation. This device uses and can radiate radio frequency energy and, if not installed and used in accordance with the included instructions, may cause harmful interference to radio communications. However, there is no guarantee that interference will not occur in a particular installation. If this device does cause harmful interference to radio or television reception, which can be determined by turning the device off and on, the user is encouraged to try to correct the interference by one or more of the following methods:

- Reorient or relocate the device.
- Increase the separation between the device and the receiver.
- Connect the device to an electrical outlet on a circuit different from which the radio receiver is connected.
- Consult the dealer or an experienced radio/TV technician for help.

## Energy Saving Matters (EuP 2009/125/EC)

Saving electric energy is a key to help protecting the environment. Please turn off all electrical products when they are not in use. To avoid power consumption in idle mode, disconnect all electrical equipment from power when not in use. Thank you!



