

FUZE MAX PROFILE



800W Full Spectrum RGBMA LED Framing Profile Fixture

DATA SHEET



KEY FEATURES

- Full Spectrum 800W RGBMA LED Engine
- Precise dynamic whites from 2400 - 8500K
- Instant color changes, Natural color transitions
- Rich and intense primary colors
- Rotating and Fixed Gobos plus Animation Wheel
- Full Blackout Framing System
- Iris, Prism, and Dual Frost
- Wide Zoom Range from 7° to 53°
- Large 140mm front aperture

The **FUZE MAX PROFILE™** is a full spectrum automated LED framing fixture designed for theater, television and a wide array of other precision lighting applications. The 92 CRI engine utilizes an 800W 5-color homogenized LED array consisting of Red, Green, Blue, Mint, and Amber sources. The carefully tuned LEDs ensure accurate color reproduction and dynamic whites while delivering a powerful output of over 21,000 lumens. Virtual color temperature, Magenta / Green adjustment plus CMY emulation provide the designer with immediate access to the impressive LED color array.

The **FUZE MAX PROFILE** is designed for any application where fully automated framing fixture with outstanding and compelling color range and quality is required. A rotating gobo wheel, fixed gobo wheel, animation wheel, dual frost, prism and iris round out its comprehensive feature set in this quiet and extremely powerful automated framing fixture.



FUZE MAX PROFILE



800W Full Spectrum RGBMA LED Framing Profile Fixture

SPECIFICATIONS

SOURCE

800W 6,500K RGBMA LED Engine
30,000 Hour Average LED Life*

*Test lab conditions. May vary depending on several factors including but not limited to: Environmental Conditions, Power/Voltage, Usage Patterns (On-Off Cycling), Control, and Dimming.

PHOTOMETRIC DATA

21,000 Total Lumen Output
CRI 92
Zoom Range 7° - 53°
Beam Angle 6.6° - 50.3°
Field Angle 7.8° - 55°

EFFECTS

Motorized Zoom
4 Rotating Full Blackout Framing Blades,
+/- 60° Index
Dual Variable Frost Filter (Medium/ Wash)
4 Facet Round, 4 Facet Linear Prism
Motorized Iris
Variable 16-bit Dimming Curve Modes
High Speed Electronic Shutter and Strobe
Pan Angle: 540° / 630°
Tilt Angle: 250°

COLOR

RGBMA Color Array
CMY Emulation
Variable CCT 2400K - 8500K
Green/Magenta Shift
Virtual Gel Swatch Book

GOBOS

1 x 6 Rotating / Indexing Interchangeable Glass Gobos
1x 7 Fixed Interchangeable Glass Gobos
Animation Wheel

CONTROL / CONNECTIONS

4 DMX Channel Modes (RGBMA 40/61) (CMY 38/57)
16-bit Pan, Tilt, and Dimming Control
DMX Adjustable LED Frequency
DMX, RDM, Art-NET, sACN Protocol Support
4 Button Touch Control Panel
Full Color 180° Reversible LCD Menu Display
16 Bit Resolution Adjustable Movement
5pin DMX In/Out
Locking Ethernet In/Out
IP65 Locking Power In
With Wired Digital Communication Network

SIZE / WEIGHT

Length: 18.19" (462mm)
Width: 21.26" (540mm)
Width with Snoot: 23.2" (590mm)
Vertical Height: 28.3" (719mm)
Vertical Height with Snoot: 30.4" (771mm)
Center Spacing (no snoot): 26.1" (662mm)
Center Spacing (with snoot): 29.8" (757mm)
Weight: 76.3 lbs. (34.6kg)

ELECTRICAL / THERMAL

AC 100-240V - 50/60Hz
1126W Max Power Consumption
14°F to 113°F (-10°C to 45°C)
BTU/hr (+/- 10%) 3839.66

OPTIONAL ACCESSORIES

7030100797 - Snoot

APPROVALS / RATINGS

CE | cETLus | IP20 | FCC



Specifications are subject to change without notice ©Elation Professional 06/08/2023

Elation Professional USA | 6122 S. Eastern Ave. | Los Angeles, CA. 90040
323-582-3322 | 323-832-9142 fax | www.elationlighting.com | info@elationlighting.com

Elation Professional B.V. | Junostraat 2 | 6468 EW Kerkrade, The Netherlands
+31 45 546 85 66 | +31 45 546 85 96 fax | www.elationlighting.eu | info@elationlighting.eu

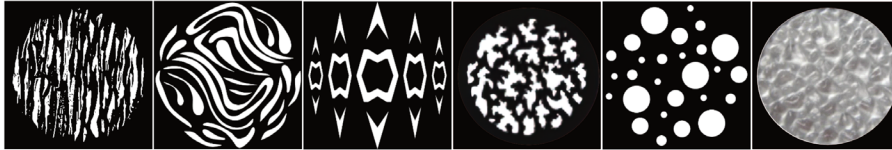
FUZE MAX PROFILE



800W Full Spectrum RGBMA LED Framing Profile Fixture

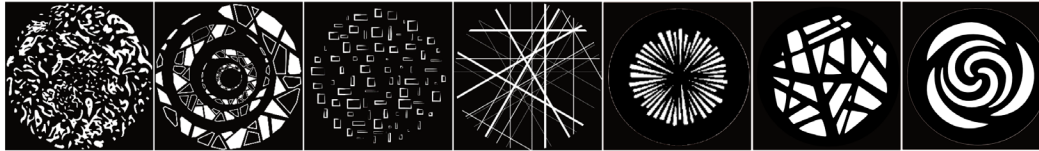
GOBOS | COLORS | ANIMATION WHEEL

ROTATING GOBO WHEEL 1



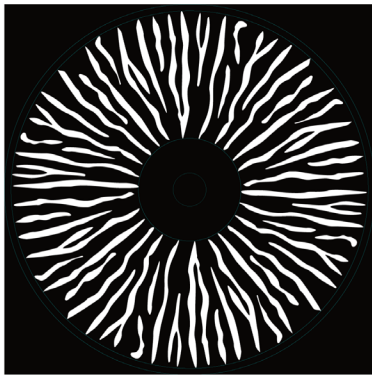
Pos. 1 Pos. 2 Pos. 3 Pos. 4 Pos. 5 Pos. 6

FIXED GOBO WHEEL 2



Pos. 1 Pos. 2 Pos. 3 Pos. 4 Pos. 5 Pos. 6 Pos. 7

BI-DIRECTIONAL ANIMATION WHEEL



ORDERING INFORMATION

FUZ546	Fuze Max Profile (US)
1237000258	Fuze Max Profile (EU)
7030100797	Snoot
TRIGGER CLAMP	Heavy Duty Wrap Around Hook Style Clamp
SIP126	5 ft. (1.5m) IP65 Twist Lock Power Link Cable
AC5PDMX5PRO	5 ft. (1.5m) 5pin PRO DMX Cable
	Additional Cable Lengths Available



Specifications are subject to change without notice ©Elation Professional 06/08/2023
 Elation Professional USA | 6122 S. Eastern Ave. | Los Angeles, CA. 90040
 323-582-3322 | 323-832-9142 fax | www.elationlighting.com | info@elationlighting.com

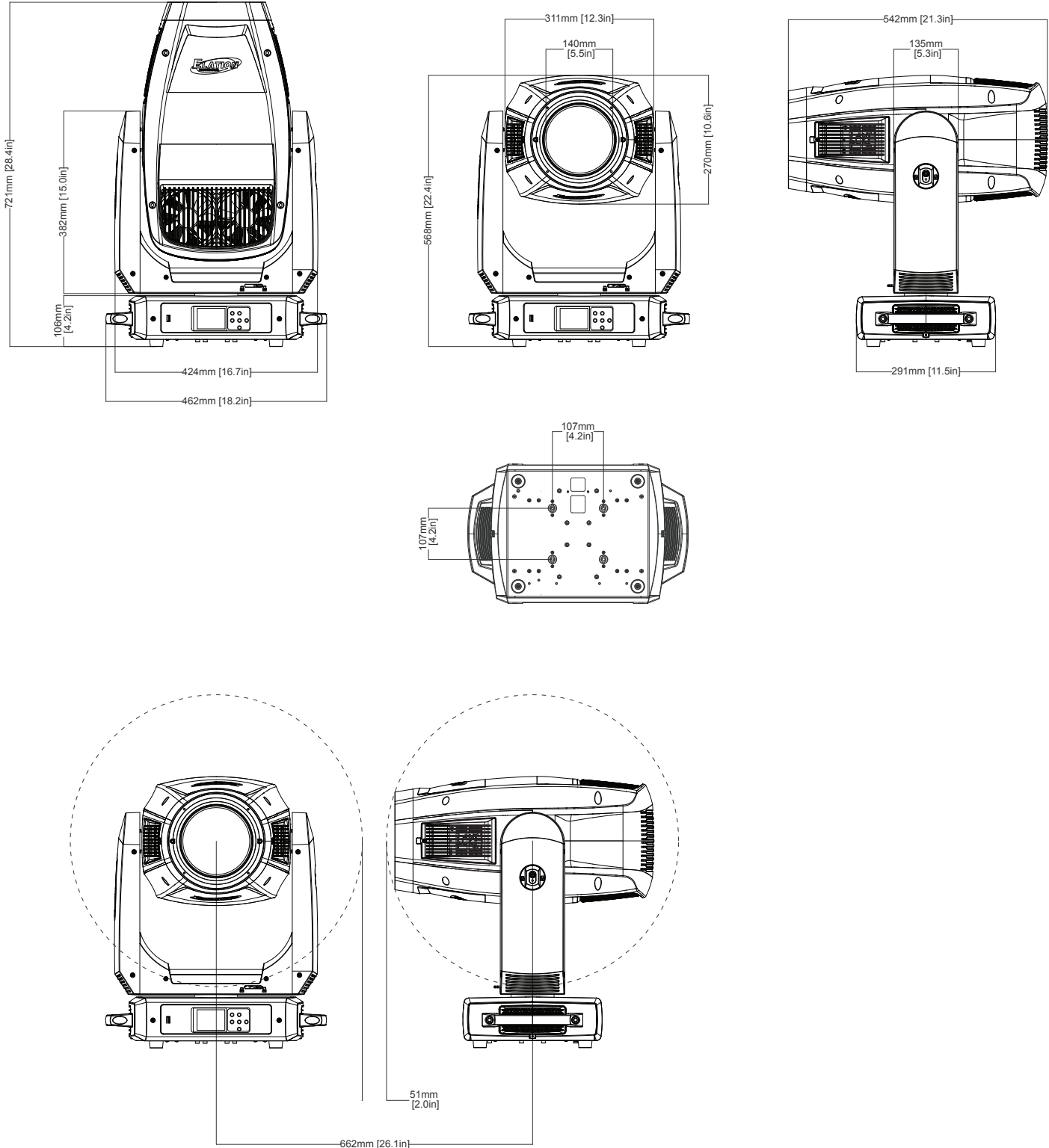
Elation Professional B.V. | Junostraat 2 | 6468 EW Kerkrade, The Netherlands
 +31 45 546 85 66 | +31 45 546 85 96 fax | www.elationlighting.eu | info@elationlighting.eu

FUZE MAX PROFILE



800W Full Spectrum RGBMA LED Framing Profile Fixture

UNIT DIMENSIONS



Specifications are subject to change without notice ©Elation Professional 06/08/2023

Elation Professional USA | 6122 S. Eastern Ave. | Los Angeles, CA. 90040
323-582-3322 | 323-832-9142 fax | www.elationlighting.com | info@elationlighting.com

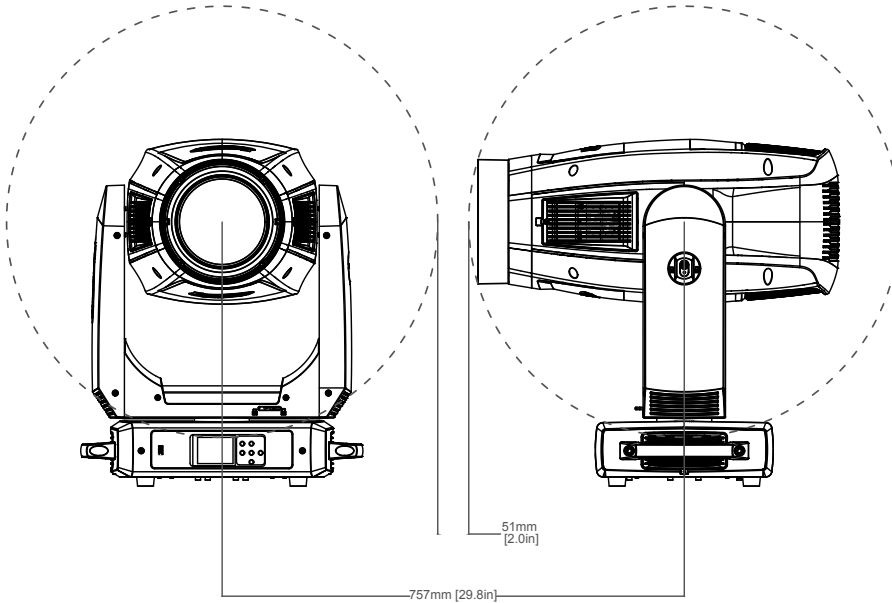
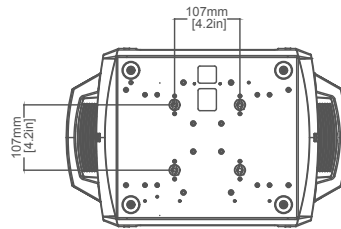
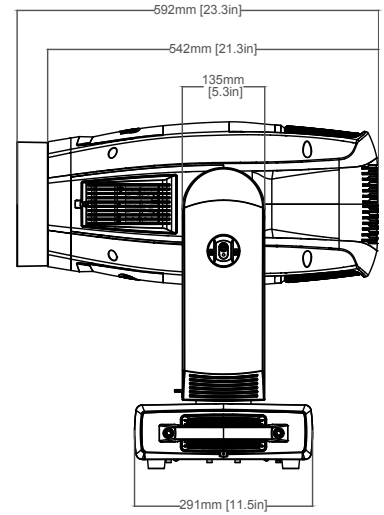
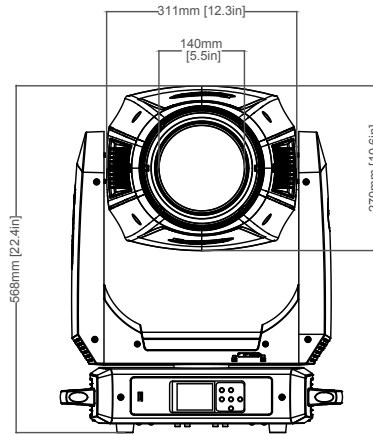
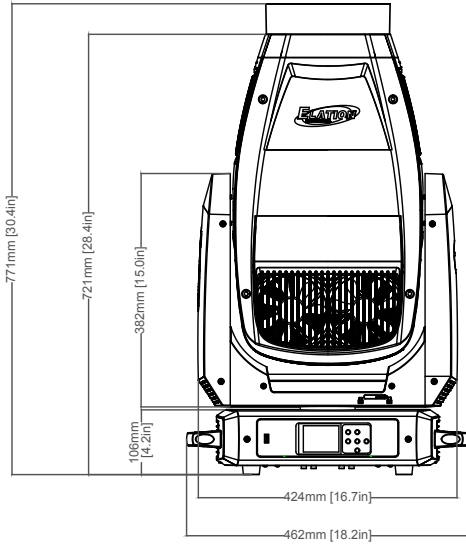
Elation Professional B.V. | Junostraat 2 | 6468 EW Kerkrade, The Netherlands
+31 45 546 85 66 | +31 45 546 85 96 fax | www.elationlighting.eu | info@elationlighting.eu

FUZE MAX PROFILE



800W Full Spectrum RGBMA LED Framing Profile Fixture

UNIT DIMENSIONS WITH SNOOT



Specifications are subject to change without notice ©Elation Professional 06/08/2023
Elation Professional USA | 6122 S. Eastern Ave. | Los Angeles, CA. 90040
323-582-3322 | 323-832-9142 fax | www.elationlighting.com | info@elationlighting.com

Elation Professional B.V. | Junostraat 2 | 6468 EW Kerkrade, The Netherlands
+31 45 546 85 66 | +31 45 546 85 96 fax | www.elationlighting.eu | info@elationlighting.eu