



PROTEUS™ LUCIUS

580W Peak Field LED Compact IP65
Framing Profile Fixture with CMY



DATA SHEET



KEY FEATURES

IP65 Outdoor Rated

High Efficiency 580W 6,500K White LED Engine

Up to 33,500 Total Lumen Fixture Output

Peak field engine for powerful projection at long distances

CMY Color Mixing and Variable CTO

5-Position Color Wheel with High CRI Filter

Complete FX System featuring Dual Rotating and Fixed

Gobo Wheel, Animation, Iris, Dual Prism, Dual Frost

Indexable Full Blackout Framing System

Wide Zoom Range from 5.5° to 50°

The **PROTEUS LUCIUS™** is a powerful yet compact IP65-rated LED profile fixture offering outstanding projection and beam qualities in any environment.

Providing up to 33,500 lumens output from its custom-designed Peak Field 580W 6,500K LED engine, the **PROTEUS LUCIUS** is the ideal fixture for any outdoor or indoor application requiring superior output, bright and powerful beams, and quiet operation, as well as stunningly precise gobos and colors. **PROTEUS LUCIUS** provides the designer a comprehensive FX package with 13 rotating and 7 fixed glass gobos, full animation wheel, overlapping dual prisms, dual frost and a high-speed iris. Its indexable framing system allows full-blackout shutter cuts for precise beam shape control.

With a fast zoom range from 5.5° to 50° out of an impressively compact fixture design, the **PROTEUS LUCIUS** has the power to cut through and make a statement on any stage. Fully sealed from dust and water, it is a rugged fixture for a wide variety of applications.



Specifications are subject to change without notice ©Elation Professional 05/16/2023

Elation Professional USA | 6122 S. Eastern Ave. | Los Angeles, CA. 90040
323-582-3322 | 323-832-9142 fax | www.elationlighting.com | info@elationlighting.com

Elation Professional B.V. | Junostraat 2 | 6468 EW Kerkrade, The Netherlands
+31 45 546 85 66 | +31 45 546 85 96 fax | www.elationlighting.eu | info@elationlighting.eu



PROTEUS[™] LUCIUS

580W Peak Field LED Compact IP65
Framing Profile Fixture with CMY



SPECIFICATIONS

SOURCE

580W 6,500K Bright White Peak Field LED
Engine

30,000 Hour Average LED Life*

*Test lab conditions. May vary depending on several factors including but not limited to: Environmental Conditions, Power/Voltage, Usage Patterns (On-Off Cycling), Control, and Dimming.

PHOTOMETRIC DATA

33,500 Total Lumen Fixture Output

CRI 71+ (85+ with HCRI Filter)

2.5:1 Hotspot Ratio

Zoom Range 5.5° - 50°

Beam Angle 6° - 36.7°

Field Angle 7.6° - 51.3°

EFFECTS

Motorized Zoom

4 Rotating Full Blackout Framing Blades

+/-45° Framing Indexing

Full 360° Bi-Directional Animation Wheel

4-Facet and Linear Rotating Prisms

2 Variable Frost Filters (Light and Wash)

Internal Color, Framing, Prism, and Frost

Macros

Motorized Iris with Variable Pulse Effects

Variable 16-bit Dimming Curve Modes

High Speed Electronic Shutter and Strobe

DMX Controllable LED Refresh Rate

Pan Angle: 540°/630°

Tilt Angle: 250°

COLOR

CMY Color Mixing

Linear CTO Color Correction

5 Dichroic Colors including High CRI Filter

GOBOS

3 Gobo Wheels

6 Rotating Gobo (Wheel #1)

7 Rotating Gobos (Wheel #2)

7 Static Gobos (Wheel #3)

CONTROL / CONNECTIONS

2 DMX Channel Modes (43/68 Ch.)

16-bit Pan, Tilt and Dimming Control

Motorized Focus and Auto-Focus Presets

DMX, RDM, Art-NET, sACN Protocol Support

(6) Button Touch Control Panel

Full Color 180° Reversible LCD Menu Display

Hibernation Mode (Power Save)

IP65 Locking 5pin XLR Connector In/Out

IP65 Locking RJ45 Ethernet Connector In/Out

IP65 Locking Power Connector In

With Wired Digital Communication Network

SIZE / WEIGHT

Length: 18.4 in (468mm)

Width: 14.6 in (370mm)

Height: 26.8 in (682mm)

Center-to-Center Spacing: 24.6 in (626mm)

Weight: 89.9 lbs. (40.8 kg)

ELECTRICAL

AC 100-240V 50/60Hz

Max Power Consumption 1000W

-4°F to 113°F (-20°C to 45°C)

BTU/hr (+/- 10%) 3239.5

INCLUDED ITEMS

Omega Brackets (x2)

IP65 Rated 5pin DMX Cable

IP65 Rated RJ45 DATA Cable (Fixture to
Fixture Interconnect Use Only!)

IP65 Rated Twist-Lock Power Cable

APPROVALS / RATINGS

CE | cETLus | IP65



Specifications are subject to change without notice ©Elation Professional 05/16/2023

Elation Professional USA | 6122 S. Eastern Ave. | Los Angeles, CA. 90040
323-582-3322 | 323-832-9142 fax | www.elationlighting.com | info@elationlighting.com

Elation Professional B.V. | Junostraat 2 | 6468 EW Kerkrade, The Netherlands
+31 45 546 85 66 | +31 45 546 85 96 fax | www.elationlighting.eu | info@elationlighting.eu



PROTEUS[™] LUCIUS

580W Peak Field LED Compact IP65
Framing Profile Fixture with CMY



GOBOS | COLORS | ANIMATION WHEEL

INTERCHANGEABLE – ROTATING GLASS GOBO WHEEL



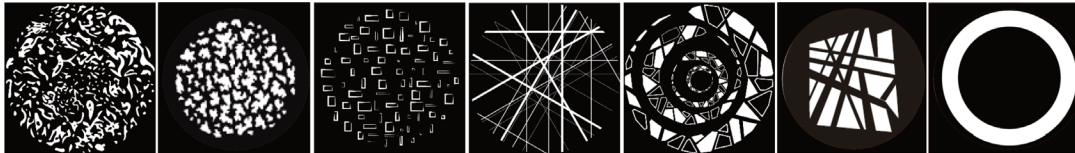
Pos. 1 Pos. 2 Pos. 3 Pos. 4 Pos. 5 Pos. 6

INTERCHANGEABLE – ROTATING GLASS GOBO WHEEL



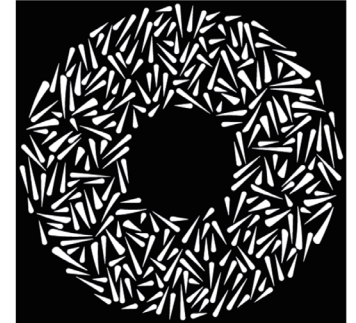
Pos. 1 Pos. 2 Pos. 3 Pos. 4 Pos. 5 Pos. 6 Pos. 7

INTERCHANGEABLE STATIC – FIXED GLASS GOBO WHEEL



Pos. 1 Pos. 2 Pos. 3 Pos. 4 Pos. 5 Pos. 6 Pos. 7

ANIMATION WHEEL



COLOR FLAGS



CYAN MAGENTA YELLOW C.T.O.

COLOR WHEEL



RED GREEN HIGH CRI ORANGE BLUE

ORDERING INFORMATION

PRL546	PROTEUS LUCIUS
PRL613	PROTEUS LUCIUS WMG-HW
TRIGGER CLAMP	Heavy Duty Wrap Around Hook Style Clamp
SIP126	5ft (1.5m) IP65 Twist Lock Power Link Cable
AC5PDMX5PRO	5ft (1.5m) 5pin Pro DMX Cable
Additional Power Link Cable and DMX Cable Lengths Available	



Specifications are subject to change without notice ©Elation Professional 05/16/2023
Elation Professional USA | 6122 S. Eastern Ave. | Los Angeles, CA. 90040
323-582-3322 | 323-832-9142 fax | www.elationlighting.com | info@elationlighting.com

Elation Professional B.V. | Junostraat 2 | 6468 EW Kerkrade, The Netherlands
+31 45 546 85 66 | +31 45 546 85 96 fax | www.elationlighting.eu | info@elationlighting.eu

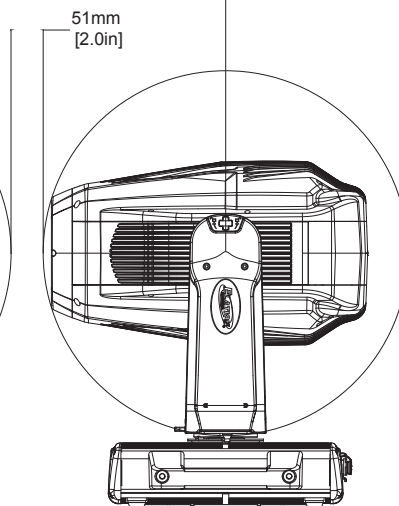
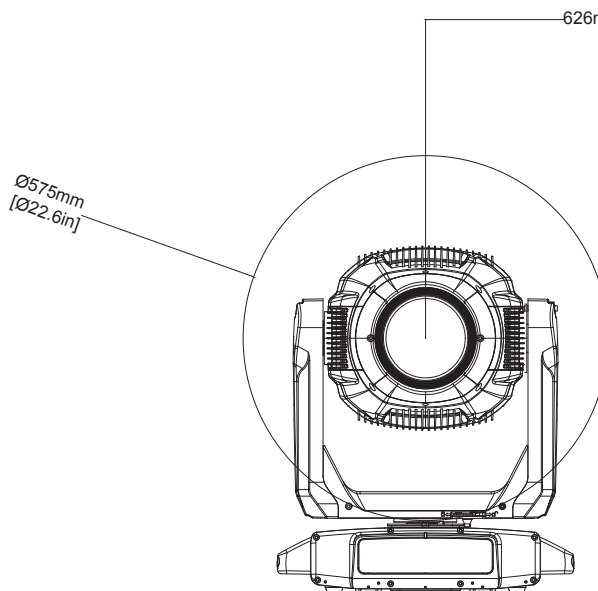
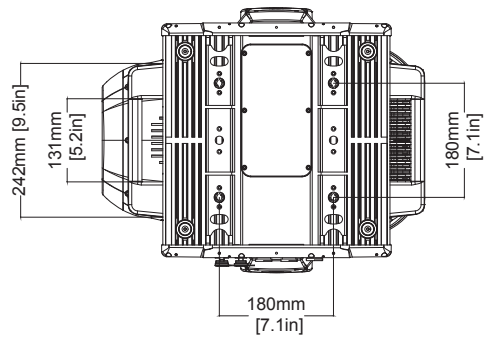
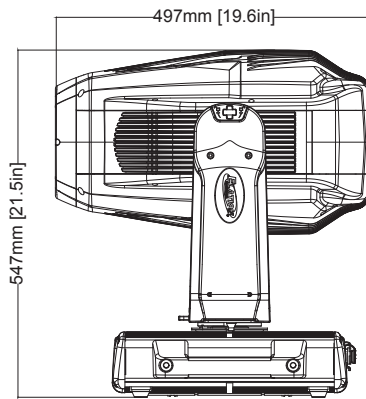
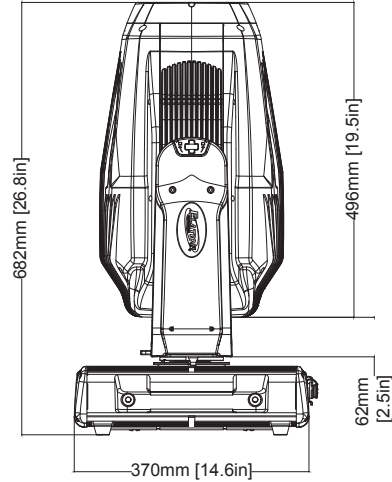
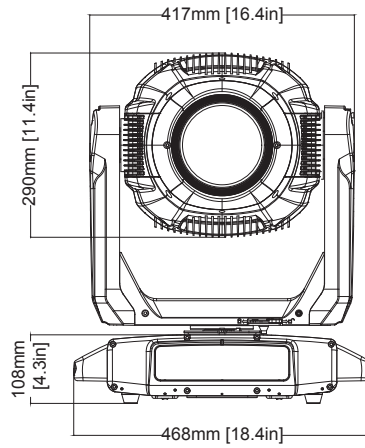


PROTEUS™ LUCIUS

580W Peak Field LED Compact IP65
Framing Profile Fixture with CMY



UNIT DIMENSIONS



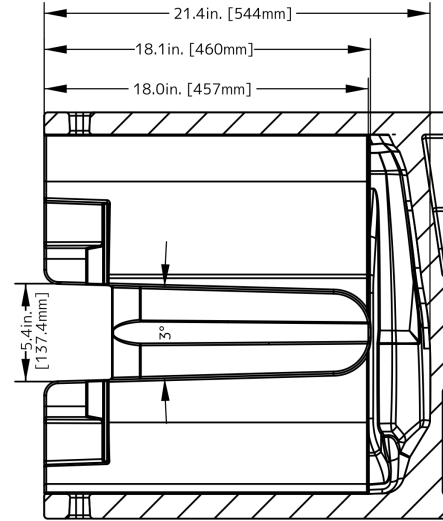
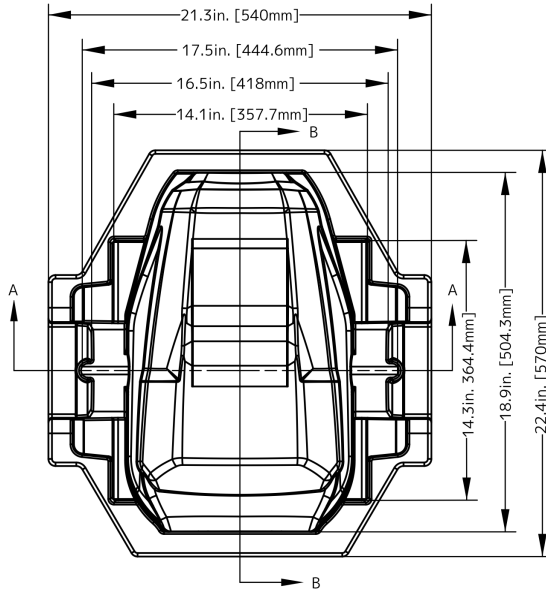


PROTEUS[™] LUCIUS

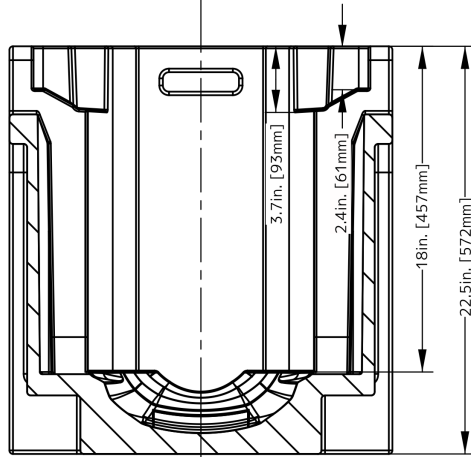
580W Peak Field LED Compact IP65
Framing Profile Fixture with CMY



FOAM IN-LAY DIMENSIONS



B-B



A-A

