

PROTEUS BEAM<sup>TM</sup> &  
PROTEUS BEAM WMG<sup>TM</sup>

user manual

©2023 ELATION PROFESSIONAL all rights reserved. Information, specifications, diagrams, images, and instructions herein are subject to change without notice. ELATION PROFESSIONAL logo and identifying product names and numbers herein are trademarks of ELATION PROFESSIONAL. Copyright protection claimed includes all forms and matters of copyrightable materials and information now allowed by statutory or judicial law or hereinafter granted. Product names used in this document may be trademarks or registered trademarks of their respective companies and are hereby acknowledged. All non-ELATION brands and product names are trademarks or registered trademarks of their respective companies.

**ELATION PROFESSIONAL** and all affiliated companies hereby disclaim all liabilities for property, equipment, building, and electrical damages, injuries to any persons, and direct or indirect economic loss associated with the use or reliance of any information contained within this document, and/or because of the improper, unsafe, insufficient, and negligent assembly, installation, rigging, and operation of this product.

**Elation Professional USA** | 6122 S. Eastern Ave. | Los Angeles, CA. 90040

323-582-3322 | 323-832-9142 fax | [www.elationlighting.com](http://www.elationlighting.com) | [info@elationlighting.com](mailto:info@elationlighting.com)

**Elation Professional B.V.** | Junostraat 2 | 6468 EW Kerkrade, The Netherlands

+31 45 546 85 66 | +31 45 546 85 96 fax | [www.elationlighting.eu](http://www.elationlighting.eu) | [info@elationlighting.eu](mailto:info@elationlighting.eu)

**Elation Professional Mexico** | AV Santa Ana 30 | Parque Industrial Lerma, Lerma, Mexico 52000

+52 (728) 282-7070 | [ventas@adj.com](mailto:ventas@adj.com)

## DOCUMENT VERSION

**Due to additional product features and/or enhancements, an updated version of this document may be available online.**

**Please check [www.elationlighting.com](http://www.elationlighting.com) for the latest revision/update of this manual, before beginning installation and/or programming.**

Date	Document Version	Software Version ≥	DMX Channel Modes	Notes
04/28/17	1	1.3.1	17 / 19 / 28	Initial release.
07/19/17	2	1.4.0	19 / 21 / 30	Updated System Menu and DMX Traits.
08/19/17	2.2	N/C	N/C	Updated error codes, rigging illustration.
11/28/17	2.3	N/C	N/C	Added ETL control number.
10/10/18	2.4	1.41	N/C	Updated System Menu, added Rotating GOBO Specifications and POTENTIAL INTERNAL FIXTURE DAMAGE FROM EXTERNAL SOURCES OF LIGHT BEAMS sections.
11/25/18	2.6	N/C	N/C	Added LAMP and GOBO replacement instructions.
3/10/21	2.8	N/C	N/C	Updated Sun Protection, FCC, and primary/secondary modes
3/24/21	3.0	N/C	N/C	Updated General Information and Maintenance, Added Proteus Beam WMG to cover title
5/20/21	3.2	N/C	N/C	Updated Maintenance.
8/23/22	3.4	N/C	N/C	Updated Lamp Installation
02/16/23	2.8	N/C	N/C	Updated Specifications

# CONTENTS

General Information	4
Limited Warranty (USA Only)	5
IP65 Notice	6
Safety Guidelines	7
Discharge Lamp Warning	9
Overview	10
Lamp Installation	11
Gobo Installation	18
Rotating Gobo Specifications	25
Custom Gobo Design Guidelines	26
Installation	28
System Menu	33
E-FLY Wireless DMX Set Up	42
DMX Traits: Channel Functions And Values	43
Error Codes	53
Maintenance	57
Specifications	58
Optional Accessories	61

# GENERAL INFORMATION

## INTRODUCTION

Please read and understand the instructions in this manual carefully and thoroughly before attempting to operate this device. These instructions contain important safety and use information. This device is intended for use by professionally trained personnel only, and is not suitable for private use.

**NOTE: THIS FIXTURE IS INTENDED FOR TEMPORARY OUTDOOR USE ONLY!**

## UNPACKING

Every device has been thoroughly tested and has been shipped in perfect operating condition. Carefully check the shipping carton for damage that may have occurred during shipping. If the carton is damaged, carefully inspect the device for damage, and be sure all accessories necessary to install and operate the device have arrived intact. In the event damage has been found or parts are missing, please contact our customer support team for further instructions. Please do not return this device to your dealer without first contacting customer support. Please do not discard the shipping carton in the trash. Please recycle whenever possible.

## BOX CONTENTS

Omega Brackets (x2)  
IP65 Rated 5pin DMX Cable  
IP65 Rated RJ45 Cable (Fixture to Fixture Interconnect Use Only!)  
IP65 Power Cable

## CUSTOMER SUPPORT

Contact **ELATION Service** for any product related service and support needs.  
Also visit [forums.elationlighting.com](https://forums.elationlighting.com) with questions, comments, or suggestions.

**ELATION SERVICE USA - Monday - Friday 8:00am to 4:30pm PST**  
**323-582-3322 | Fax 323-832-9142 | [support@elationlighting.com](mailto:support@elationlighting.com)**

**ELATION SERVICE EUROPE - Monday - Friday 08:30 to 17:00 CET**  
**+31 45 546 85 63 | Fax +31 45 546 85 96 | [support@elationlighting.eu](mailto:support@elationlighting.eu)**

REPLACEMENT PARTS please visit [parts.elationlighting.com](https://parts.elationlighting.com)

## **LIMITED WARRANTY (USA ONLY)**

- A. Elation Professional hereby warrants, to the original purchaser, Elation Professional products to be free of manufacturing defects in material and workmanship for a period of two years (730 days), and Elation Professional product rechargeable batteries to be free of manufacturing defects in material and workmanship for a period of six months (180 days), from the original date of purchase. This warranty excludes discharge lamps and all product accessories. This warranty shall be valid only if the product is purchased within the United States of America, including possessions and territories. It is the owner's responsibility to establish the date and place of purchase by acceptable evidence, at the time service is sought.
- B. For warranty service, send the product only to the Elation Professional factory. All shipping charges must be pre-paid. If the requested repairs or service (including parts replacement) are within the terms of this warranty, Elation Professional will pay return shipping charges only to a designated point within the United States. If any product is sent, it must be shipped in its original package and packaging material. No accessories should be shipped with the product. If any accessories are shipped with the product, Elation Professional shall have no liability what-so-ever for loss and/or or damage to any such accessories, nor for the safe return thereof.
- C. This warranty is void if the product serial number and/or labels are altered or removed; if the product is modified in any manner which Elation Professional concludes, after inspection, affects the reliability of the product; if the product has been repaired or serviced by anyone other than the Elation Professional factory unless prior written authorization was issued to purchaser by Elation Professional; if the product is damaged because not properly maintained as set forth in the product instructions, guidelines and/or user manual.
- D. This is not a service contract, and this warranty does not include any maintenance, cleaning or periodic check-up. During the periods as specified above, Elation Professional will replace defective parts at its expense, and will absorb all expenses for warranty service and repair labor by reason of defects in material or workmanship. The sole responsibility of Elation Professional under this warranty shall be limited to the repair of the product, or replacement thereof, including parts, at the sole discretion of Elation Professional. All products covered by this warranty were manufactured after January 1, 1990, and bare identifying marks to that effect.
- E. Elation Professional reserves the right to make changes in design and/or performance improvements upon its products without any obligation to include these changes in any products theretofore manufactured.
- F. No warranty, whether expressed or implied, is given or made with respect to any accessory supplied with the products described above. Except to the extent prohibited by applicable law, all implied warranties made by Elation Professional in connection with this product, including warranties of merchantability or fitness, are limited in duration to the warranty periods set forth above. And no warranties, whether expressed or implied, including warranties of merchantability or fitness, shall apply to this product after said periods have expired. The consumer's and/or dealer's sole remedy shall be such repair or replacement as is expressly provided above; and under no circumstances shall Elation Professional be liable for any loss and/or damage, direct and/or consequential, arising out of the use of, and/or the inability to use, this product.
- G. This warranty is the only written warranty applicable to Elation Professional products and supersedes all prior warranties and written descriptions of warranty terms and conditions heretofore published.

### **WARRANTY RETURNS**

All returned service items whether under warranty or not, must be freight pre-paid and accompany a return authorization (R.A.) number. The R.A. number must be clearly written on the outside of the return package. A brief description of the problem as well as the R.A. number must also be written down on a piece of paper and included in the shipping container. If the unit is under warranty, you must provide a copy of your proof of purchase invoice. Items returned without a R.A. number clearly marked on the outside of the package will be refused and returned at customer's expense. You may obtain a R.A. number by contacting customer support.

# IP65 RATED

The International Protection (IP) rating system is commonly expressed as “IP” (Ingress Protection) followed by two numbers (i.e. IP65), where the numbers define the degree of protection. The first digit (Foreign Bodies Protection) indicates the extent of protection against particles entering the fixture, and the second digit (Water Protection) indicates the extent of protection against water entering the fixture. An IP65 rated lighting fixture is designed and tested to protect against the ingress of dust (6), and low-pressure water jets from any direction (5).

**NOTE: THIS FIXTURE IS INTENDED FOR TEMPORARY OUTDOOR USE ONLY!**

**Maritime/Coastal Environment Installations:** A coastal environment is seaside adjacent, and caustic to electronics through exposure to atomized salt-water and humidity, whereas maritime is anywhere within 5-miles of a coastal environment.



**NOT suitable for maritime/coastal environment installations. Installing this fixture in a maritime/coastal environment may cause corrosion and/or excessive wear to the interior and/or exterior components of the fixture. Damages and/or performance issues resulting from installation in a maritime/coastal environment will void the manufactures warranty, and will NOT be subject to any warranty claims and/or repairs.**

Maritime installations require additional preparation, and additional service intervals may be needed given the maritime use. In general, IP ratings presuppose freshwater conditions VS maritime conditions, which are typically more “caustic” to IP fixtures (both internally and externally). A duty-cycle may also be needed when units are not in use. During times of high humidity and colder temperatures, condensation may occur internally so the fixture may require a duty-cycle to bring it up to running temperature, allowing any accumulation of moisture to be expelled via the vent valve. Recommendations can change based on installation environmental circumstances. A waterproof dome or similar device is recommended for use in permanent outdoor installations. When using a dome, refer to manufacturer recommendations for duty-cycle.

**NOTE: NOT ALL FEATURES LISTED ARE AVAILABLE ON ALL FIXTURES; THE FOLLOWING INSTRUCTIONS MAY NOT APPLY. CONTACT SUPPORT FOR ADDITIONAL DETAILS.**

**Exterior Maintenance:** Inspect the exterior every 30-days. The unit must be powered off/disconnected. Inspect optics to determine if the lens is obstructed, then clean optics and chassis accordingly. Based on initial finding, schedule maintenance accordingly, keeping in mind that exterior maintenance will be required. Even if the luminaires are NOT in use, maintenance will still be needed given its location (exterior use). The use of a durable type of wax on the chassis is recommended since it will help prevent contaminant build up. Inspect both power and data lines for any signs of contaminants or corrosion. Periodically reapplying di-electric grease, especially in coastal environments. If any signs of corrosion/contaminants are present, clean thoroughly, and/or replace connectors, then reapply di-electric grease. Typically, this should be done annually, or any time an opportunity presents itself. As a preventive measure, annual replacement of both vent valves is recommended. The vent valve membrane can become contaminated and/or clogged causing improper venting of humidity within the luminaire. Inspect all mounting hardware as a precaution.

**Interior Maintenance:** Inspect the interior every 30-days. The unit must be powered off/disconnected.

Inspect zoom/focus mechanism, clean optics, lubricate linear bearings (Krytox oil) as needed, inspect belts for wear

Inspect all rotating effect wheels, manually rotate them, note any resistance

Inspect all remaining rotating belts for any wear

Inspect all fans, clean as needed, check rotation, check connections

Inspect CMY module, manually move flags and check for signs of resistance, and if needed, clean guide rods first, then reapply a thin layer of grease (moly lube)

Clean interior with low-volume compressed air, then clean optics prior to reassembly of head covers

Although the base has limited moving parts, the pan belt should also be inspected for wear. Remember to always perform an IP test anytime a cover is removed.

There is no specific time frame regarding the routine replacement of parts such as belts/stepper motors, PCBs, or LEDs. These items should only be replaced on an as needed bases, except for cooling fans, which should be replaced once the luminaries reach 10,000-hours. This is a prophylactic measure intended to keep the unit running as cool as possible, insuring proper function of all internal components. A complete service breakdown is available, please contact [service@adi.com](mailto:service@adi.com) for any needed parts or manuals.

# SAFETY GUIDELINES

This fixture is a sophisticated piece of electronic equipment. To guarantee a smooth operation, it is important to follow all instructions and guidelines in this manual. Elation Professional is not responsible for injury and/or damages resulting from the misuse of this fixture due to the disregard of the information printed in this manual. Only qualified and/or certified personnel should perform installation of this fixture and only the original rigging parts (omega brackets) included with this fixture should be used for installation. Any modifications to the fixture and/or the included mounting hardware will void the original manufactures warranty and increase the risk of damage and/or personal injury.



## **PROTECTION CLASS 1 - FIXTURE MUST BE PROPERLY GROUNDED**

**THERE ARE NO USER SERVICEABLE PARTS INSIDE THIS UNIT.**



**DO NOT ATTEMPT ANY REPAIRS YOURSELF; DOING SO WILL VOID YOUR MANUFACTURES WARRANTY. DAMAGES RESULTING FROM MODIFICATIONS TO THIS FIXTURE AND/OR THE DISREGARD OF SAFETY INSTRUCTIONS AND GUIDELINES IN THIS MANUAL VOID THE MANUFACTURES WARRANTY AND ARE NOT SUBJECT TO ANY WARRANTY CLAIMS AND/OR REPAIRS.**



**DO NOT PLUG FIXTURE INTO A DIMMER PACK!  
NEVER OPEN THIS FIXTURE WHILE IN USE!  
UNPLUG POWER BEFORE SERVICING FIXTURE!  
NEVER TOUCH FIXTURE DURING OPERATION, AS IT MAY BE HOT!  
KEEP FLAMMABLE MATERIALS AWAY FROM FIXTURE!**



**ENSURE ALL CONNECTIONS AND END CAPS ARE PROPERLY SEALED WITH A DIELECTRIC GREASE (AVAILABLE AT MOST ELECTRICAL SUPPLIERS) TO PREVENT WATER CORROSION AND/OR ELECTRICAL SHORT CIRCUIT.**



**IF THE FIXTURE IS EXPOSED TO ENVIRONMENTAL TEMPERATURE CHANGES SUCH AS RELOCATION FROM AN OUTDOOR COLD TO AN INDOOR WARM ENVIRONMENT, DO NOT POWER THE FIXTURE ON IMMEDIATELY. INTERNAL CONDENSATION AS A RESULT OF ENVIRONMENTAL TEMPERATURE CHANGE CAN CAUSE INTERNAL FIXTURE DAMAGE. LEAVE THE FIXTURE POWERED OFF UNTIL IT HAS REACHED ROOM TEMPERATURE BEFORE POWERING ON.**



**NEVER LOOK DIRECTLY INTO THE LIGHT SOURCE!  
RETINA INJURY RISK - MAY INDUCE BLINDNESS!  
SENSITIVE PERSONS MAY SUFFER AN EPILEPTIC SHOCK!**

# SAFETY GUIDELINES

**DO NOT TOUCH** the fixture housing during operation. Turn OFF the power and allow approximately 60 minutes for the fixture to cool down before serving.

**DO NOT** shake fixture, avoid brute force when installing and/or operating fixture.

**DO NOT** operate fixture if the power cord has become frayed, crimped, damaged and/or if any of the power cord connectors are damaged and do not insert into the fixture securely with ease.

**NEVER** force a power cord connector into the fixture. If the power cord or any of its connectors are damaged, replace it immediately with a new one of similar power rating.

**DO NOT** block any air ventilation slots, these must remain clean and never blocked.

Allow approx. 6" (15cm) between fixture and other devices or a wall for proper cooling.

When installing fixture in a suspended environment, always use mounting hardware that is no less than M10 x 25 mm, and always attach an appropriately rated safety cable.

**ALWAYS** disconnect fixture from main power source before performing any type of service and/or cleaning procedure. Only handle the power cord by the plug end, never pull out the plug by tugging the wire portion of the cord.

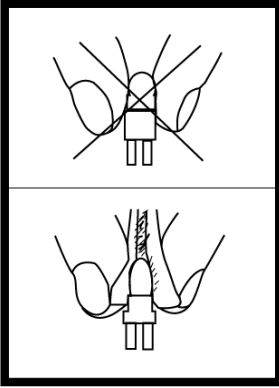
During the initial operation of this fixture, a light smoke or smell may emit from the interior of the fixture. This is a normal process and is caused by excess paint in the interior of the casing burning off from the heat associated with the lamp and will decrease gradually over time.

Consistent operational breaks will ensure fixture will function properly for many years.

**ONLY** use the original packaging and materials to transport the fixture in for service.



# DISCHARGE LAMP WARNING



This fixture is fitted with a DISCHARGE LAMP, which is highly susceptible to damage if improperly handled. NEVER touch the lamp with your bare hands, as the oil from your hands will shorten the life of the lamp. Also, NEVER move the fixture until the lamp has had ample time to cool. Lamps are NOT covered under warranty conditions. Avoid switching the fixture ON and OFF repeatedly in short intervals, as this will reduce lamp life and intensity. To achieve the intensity associated with discharge lamps, these lamps use gas sealed in a high-pressure environment to emit a brilliant output.

Due to the high pressure involved with the construction of the lamp, the lamp MAY EXPLODE DURING PROLONGED EXTENSIVE USE. This risk is increased with age; added care is encouraged when dealing with older lamps. Thus, the lamp must always be replaced at the end of their recommended duty cycle. Extreme caution should be used when operating this or any fixture fitted with a gas discharge lamp.

## U V R A D I A T I O N N O T I C E



This fixture emits intense UV radiation, which is harmful to the eyes and skin. The intense luminance of the lamp can cause severe damage to the retina. NEVER operate this fixture with ANY of the protective covers removed. These covers have been specially designed to shield against UV radiation.

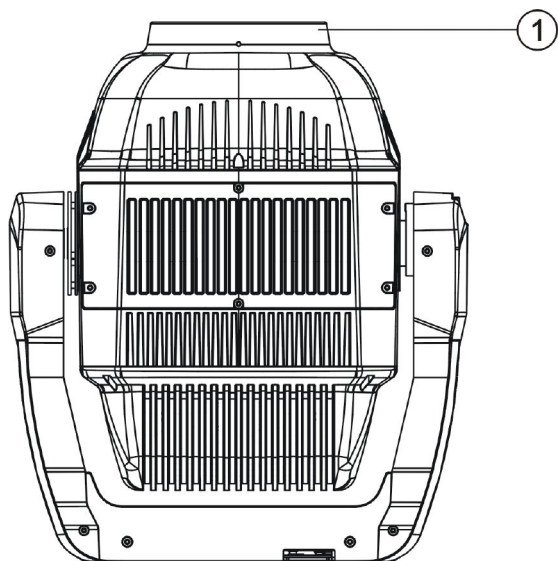
## L A M P R E P L A C E M E N T



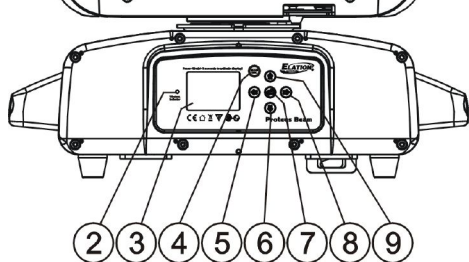
Please note that due to the nature of the Philips™ Platinum 14R Lamp and the optical path of the fixture, the lamp MUST BE replaced at 1,500 hours.

Use only Genuine Original Philips Platinum 14R Lamps. Other brand lamps may cause damage and void warranty!

# OVERVIEW



1. Lens



2. E-FLY Wireless DMX Indicator LED

3. LCD Menu Control Display

4. MODE/ESC Button

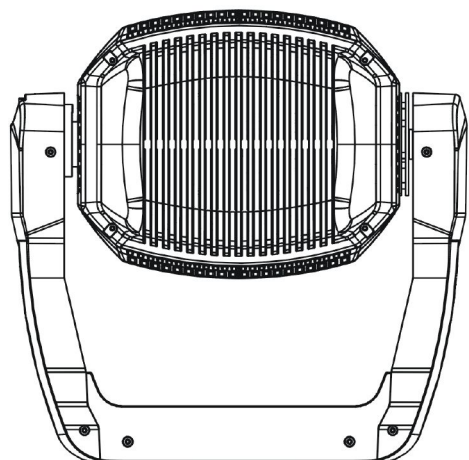
5. LEFT Button

6. DOWN Button

7. ENTER Button

8. RIGHT Button

9. UP Button



10. Locking Power Connector

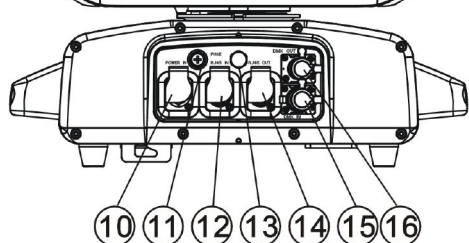
11. Fuse

12. RJ45 Ethernet IN

13. Gore Valve

14. RJ45 Ethernet OUT

15. 5pin DMX IN



# LAMP INSTALLATION



## L A M P R E P L A C E M E N T

Please note that due to the nature of the Philips™ Platinum 14R Lamp and the optical path of the fixture, the lamp **MUST BE** replaced at 1,500 hours.

Use only Genuine Original Philips Platinum 14R Lamps. Other brand lamps may cause damage and void warranty!

### INSTALLING OR REPLACING THE LAMP

To ensure a proper/safe lamp change, carefully read all the following instructions.

### LAMP PROTECTION CIRCUITRY

Because of the nature of the extreme heat associated with the **Philips Platinum 14 R** lamp and the unique IP65 rated sealed optical system, it is **IMPERATIVE** that the lamp be replaced at **1,500 Hours** or sooner. This is done to protect the internal sealed optical system as well as prevent accidental lamp explosion, which could lead to hot glass particles falling from the fixture.

**FAILURE TO CHANGE THE LAMP WITHIN 300 HOURS of the 1,500 HOUR RATED LIFE, WILL CAUSE THE FIXTURE TO AUTOMATICALLY SHUT DOWN!**

At **1,500 Hours** the LCD control display will begin to flash, **“Replace The Lamp”** and the lamp will flicker for the first five minutes of operation. At this point the lamp has reached the maximum rated life and should be replaced immediately. After the lamp has flickered for about five minutes it should strike normally allowing the fixture to be used temporarily until a replacement lamp can be installed. The fixture will continue to operate for an additional 300 hours, however the **“Replace the Lamp”** warning will continue to flash in the display. Keep in mind that the flicker protection circuitry will only work for about 300 Hours (lamp clock life of 1,500-1,800 Hours).

**After 1,800 Hours** the fixture will no longer respond to DMX commands and immediately enter a hibernation mode that will electronically discontinue all fixture functionality with the exception of a few menu commands. The fixture will continue to enter hibernation mode until the lamp is replaced and the lamp clock has been reset. To replace the lamp follow the safety guidelines and procedures listed on the next page.

# LAMP INSTALLATION



**WARNING! LAMP REPLACEMENT SHOULD ONLY BE DONE BY A TRAINED TECHNICIAN.**

1. Turn OFF power and allow approximately 60 minutes for the fixture to cool down.

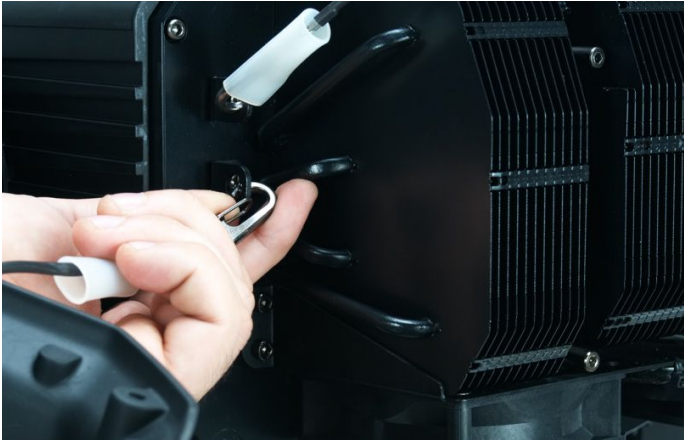


2. Before removing rear cover, place the head in a right-angle horizontal position and engage both the **PAN** and **TILT** locks for added stability while replacing the lamp.

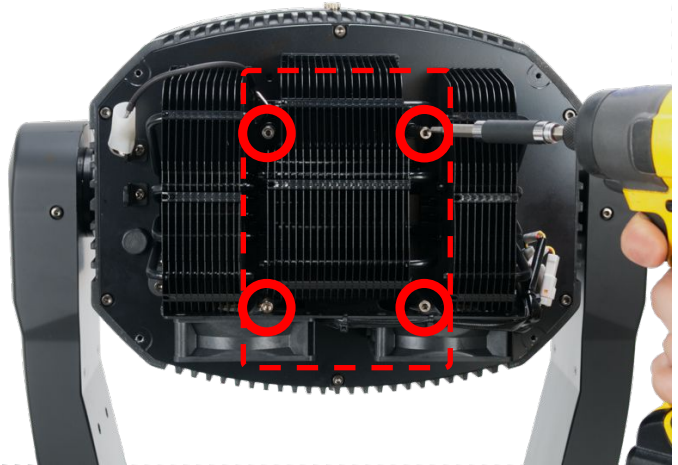


3. Remove (4x) 3mm hex-head screws to remove rear cover.

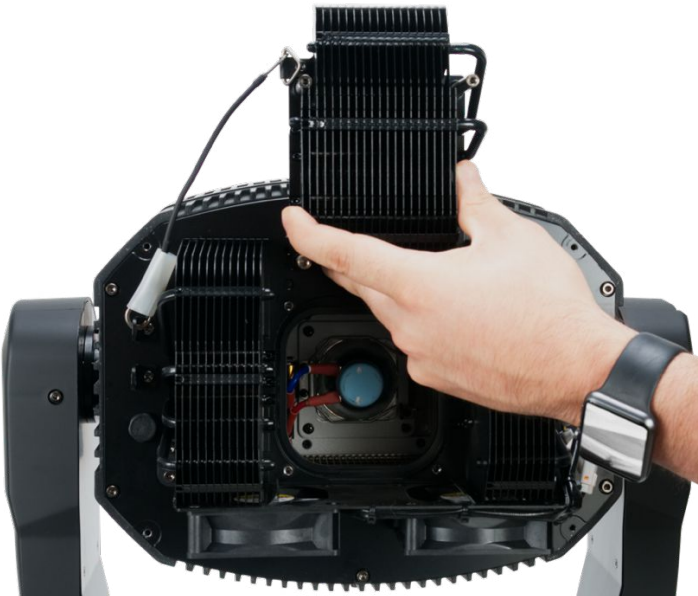
# LAMP INSTALLATION



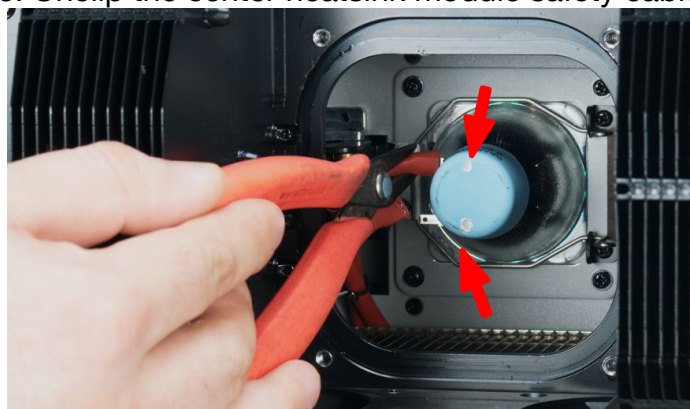
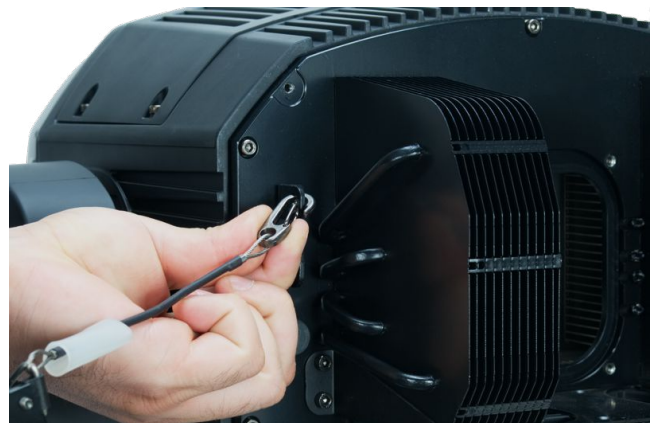
4. Unclip the rear cover safety cable.



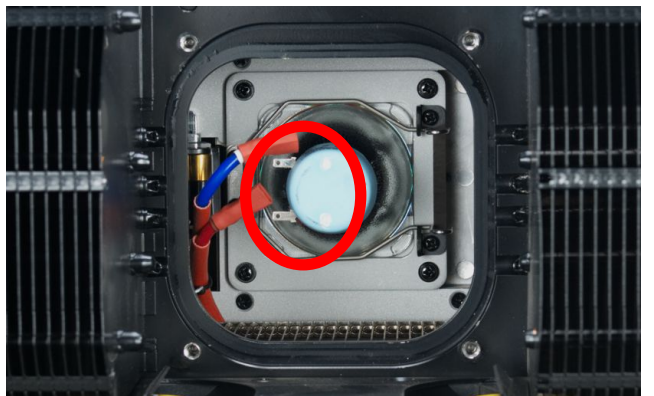
5. Remove (4x) 3mm hex-head screws holding the center heatsink module.



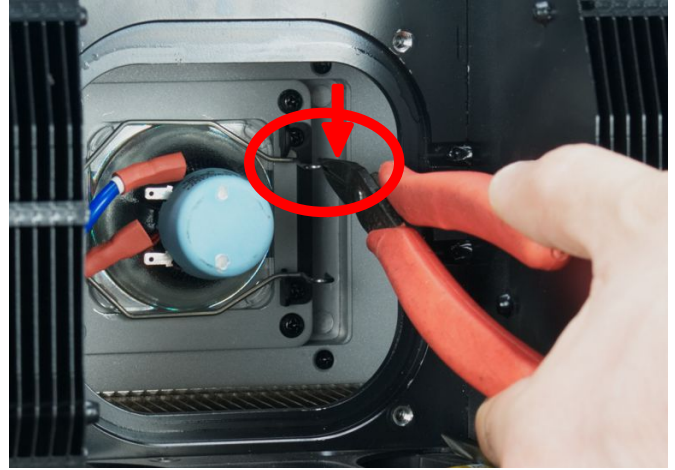
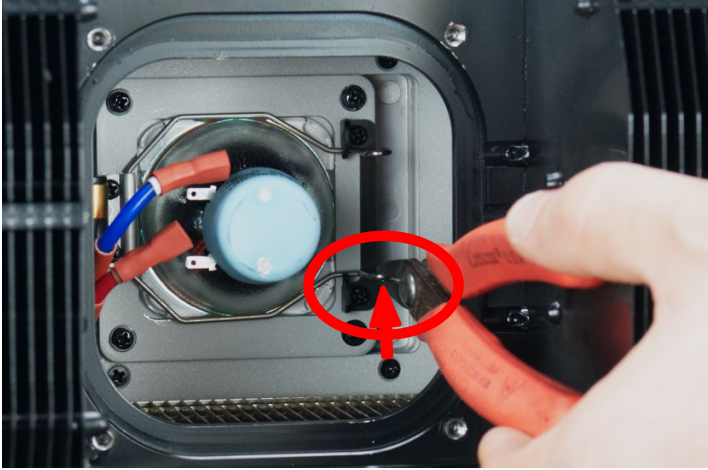
6. Unclip the center heatsink module safety cable.



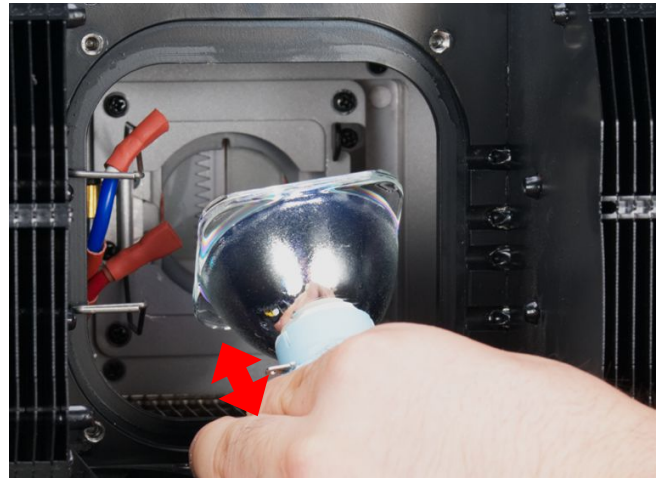
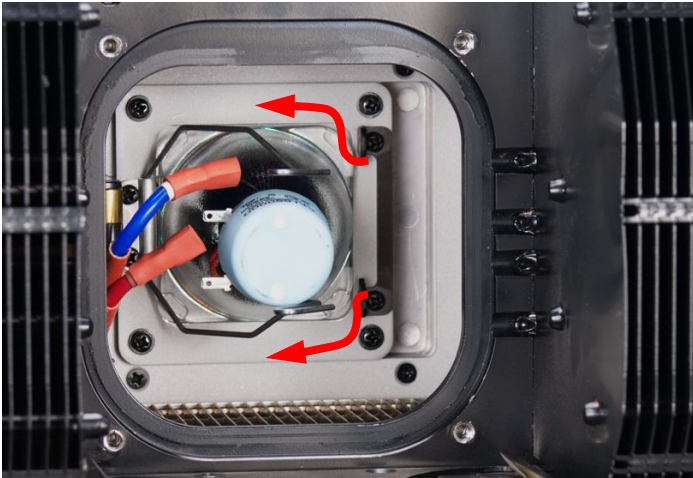
7. Gently remove the (2x) spade receptacle-terminals connected to the lamp.



# LAMP INSTALLATION



8. Unclip the lamp retaining clip by disconnecting it from the bottom and top hooks.

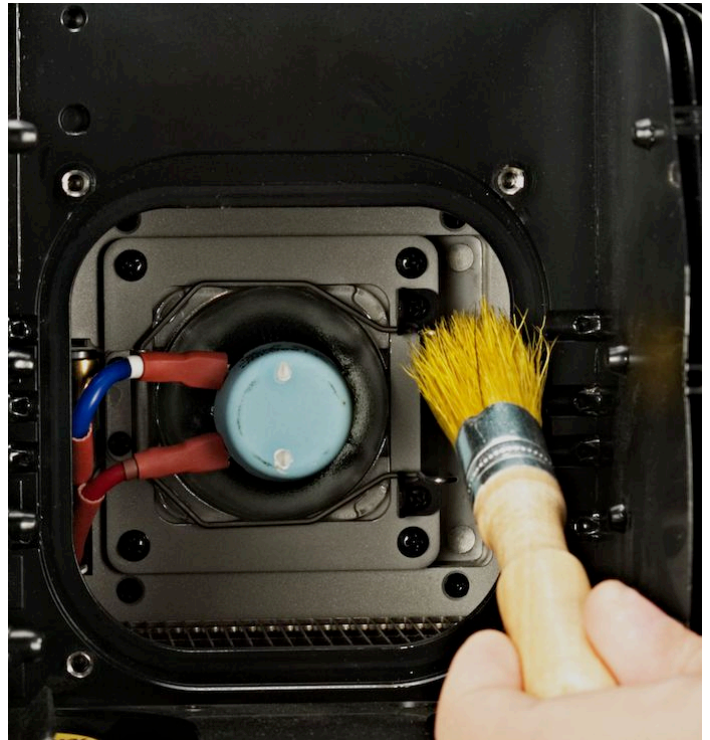
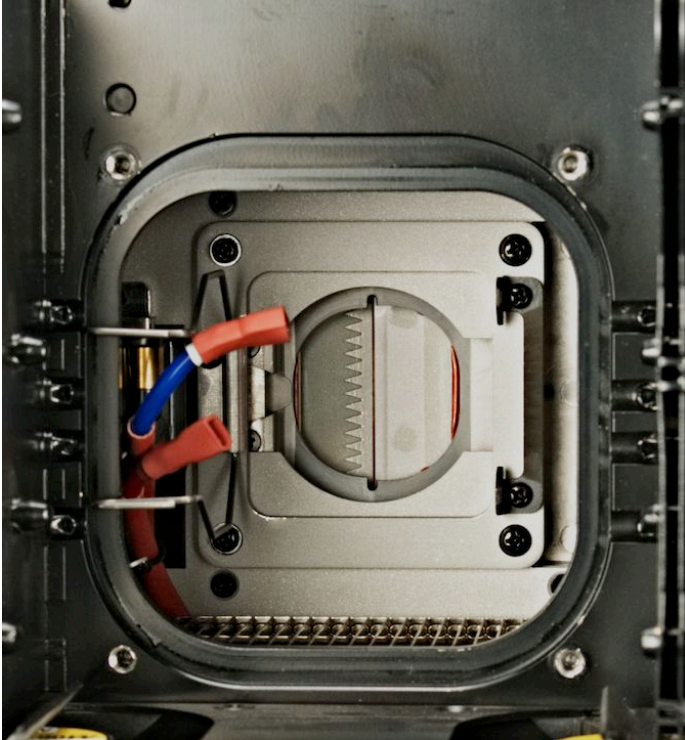


9. Swing the lamp retaining clip out, then carefully remove the lamp.



**WARNING! LAMP MAY BE HOT.  
USE CAUTION WHEN TOUCHING LAMP WITH BARE HANDS.**

# LAMP INSTALLATION



10. Carefully install the new lamp then follow the removal instruction steps in reverse order.  
**NOTE: Brush away any debris using a nonabrasive brush before replacing the heatsink.**

# LAMP INSTALLATION

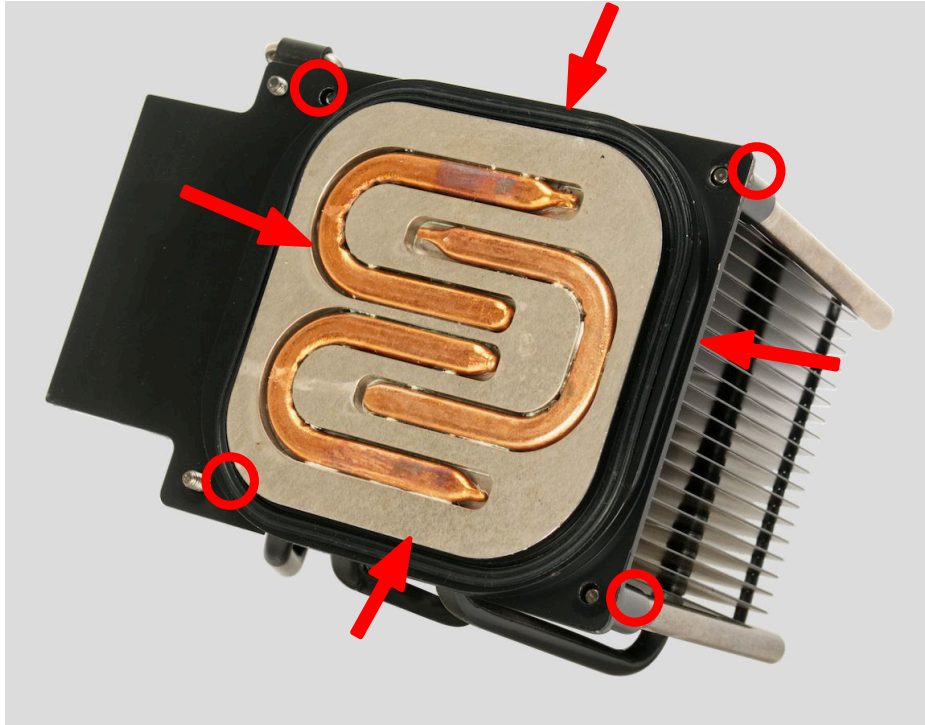


## GASKET INSPECTION

**CAREFULLY REMOVE ANY DEBRIS FOUND ON GASKET AND SCREW HOLES OF THE HEATSINK MODULE USING A NONABRASIVE BRUSH BEFORE INSTALLING!**

**CAREFULLY INSPECT GASKETS FOR SIGNS OF WEAR SUCH AS CRACKING OR HARDENING, DEFORMITIES, OR ALIGNMENT ISSUES BEFORE INSTALLING!**

**ITEMS ABOVE CAN IMPEDE THE IP65 INTEGRITY AND/OR CAUSE INTERNAL DAMAGE. CONTACT ELATION SERVICE REGARDING GASKET REPLACEMENT IF NEEDED.**





# LAMP INSTALLATION

## TORQUE SETTINGS FOR SCREWS



HEATSINK MODULE AND REAR COVER SCREWS MUST BE TIGHTENED WITH A TORQUE WRENCH. (not included)



The (4x) hex-head screws holding the heatsink module **MUST** be tightened with a torque wrench. (not included) **TORQUE SETTING = 11 lbf-in. (12.7kgf-cm) \***

**\* lbf-in = Pound Force Inches | kgf-cm = Kilogram Force Centimeters**



**CAUTION! DO NOT OVER TORQUE SCREWS AS THIS CAN CAUSE LEAKAGE ISSUES!**

**TO CONFIRM THE IP65 INTEGRITY AFTER A LAMP REPLACEMENT, TEST FIXTURE USING THE ELATION IP TESTER. CONTACT ELATION SERVICE FOR MORE DETAILS.**

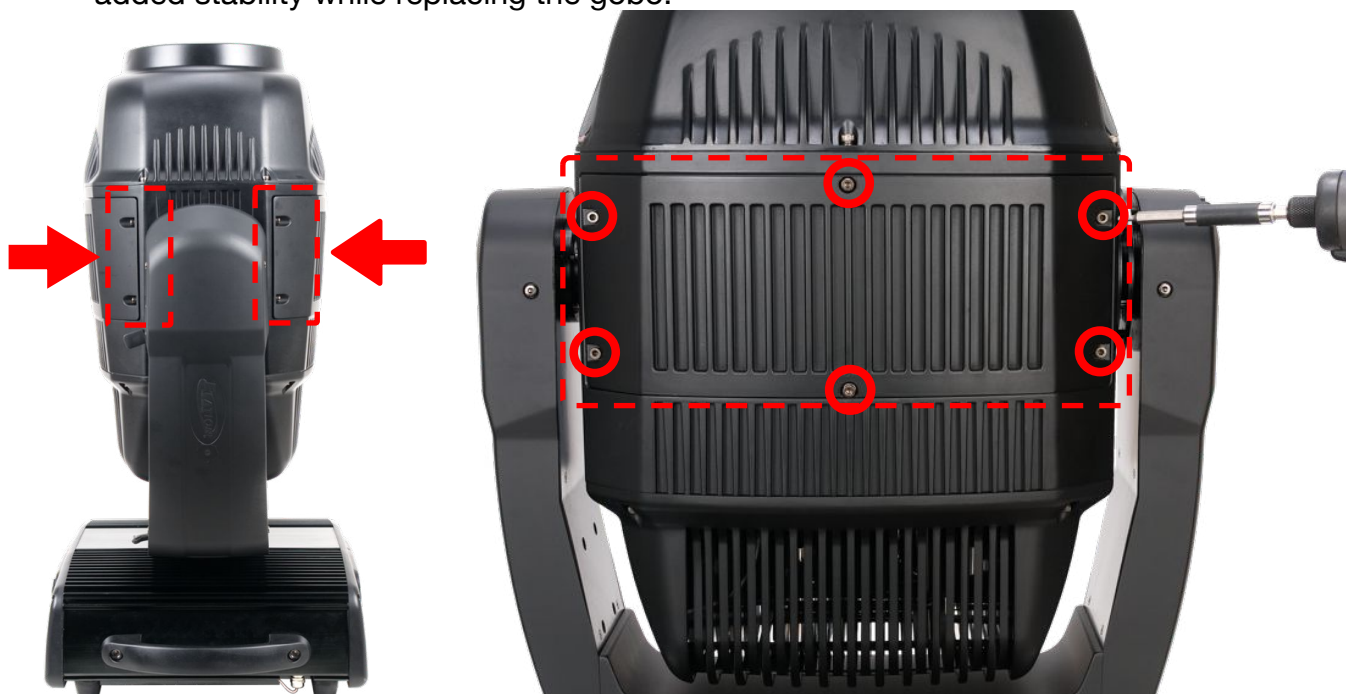


# GOBO INSTALLATION

**⚠ WARNING! GOBO REPLACEMENT SHOULD ONLY BE DONE BY A TRAINED TECHNICIAN.**  
1. Turn OFF power and allow approximately 60 minutes for the fixture to cool down.

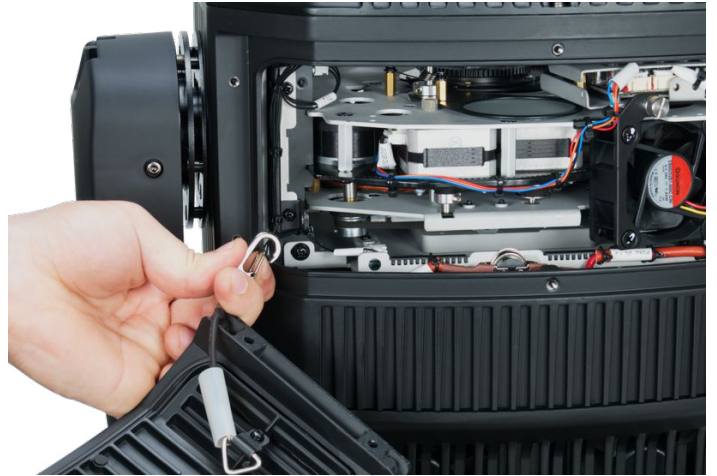
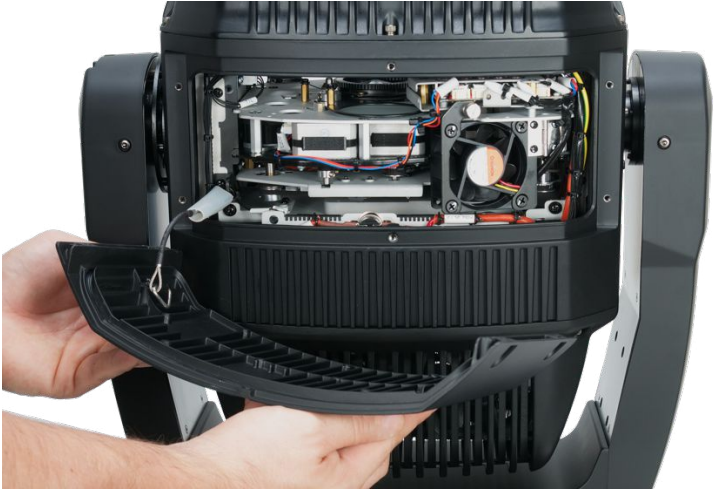


2. Place head in an upright vertical position and engage both the **PAN** and **TILT** locks for added stability while replacing the gobo.



3. Remove (12x) 3mm hex-head screws (6x per panel) to remove both center panels.

# GOBO INSTALLATION



4. Unclip the panel safety cable on one side of the head.

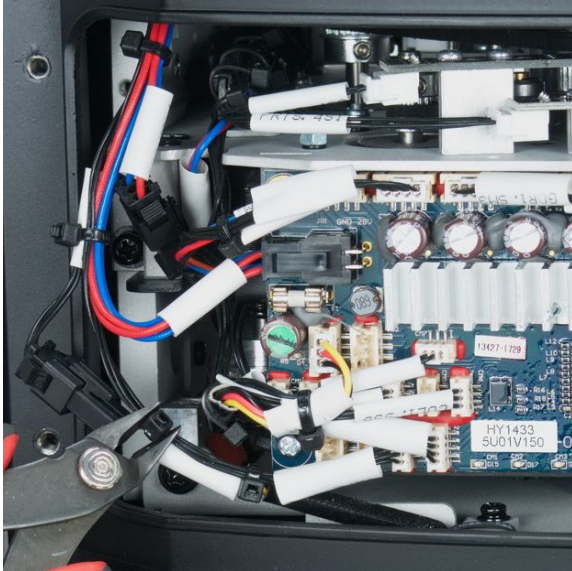


5. Unclip the panel safety cable on the opposite side of the head.

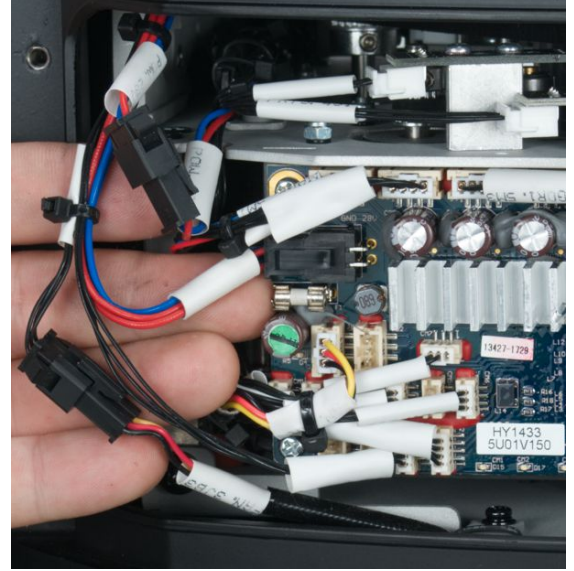
# GOBO INSTALLATION

6. Cut the plastic cable-ties holding wires and disconnect connectors attached to the effect module.

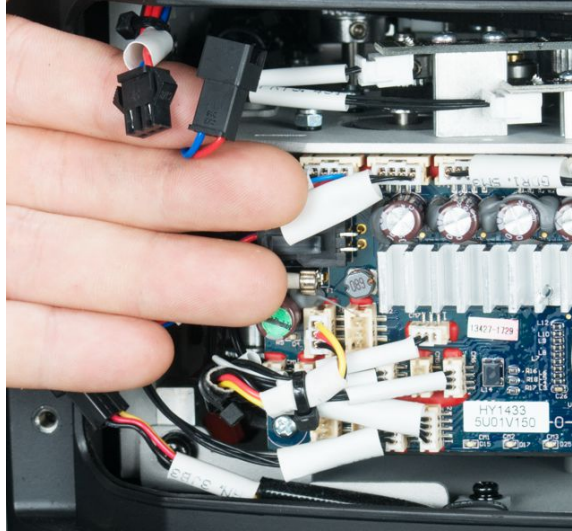
6a



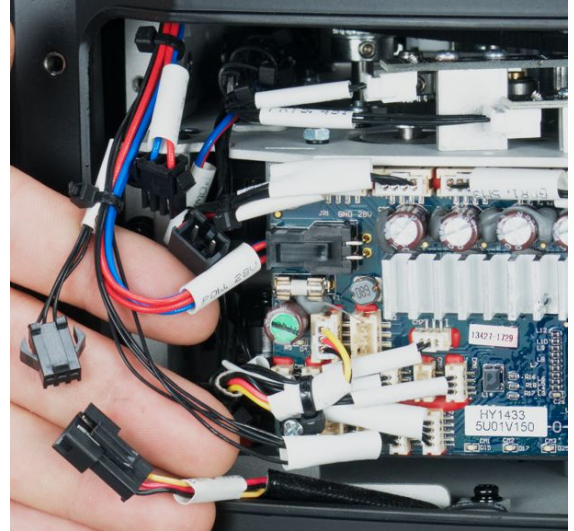
6b



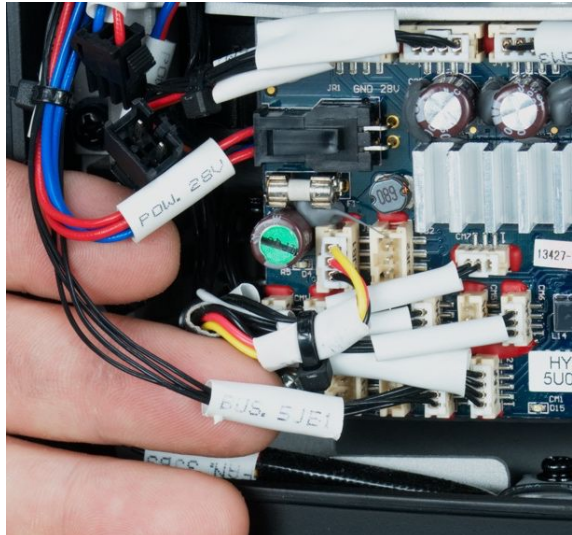
6c



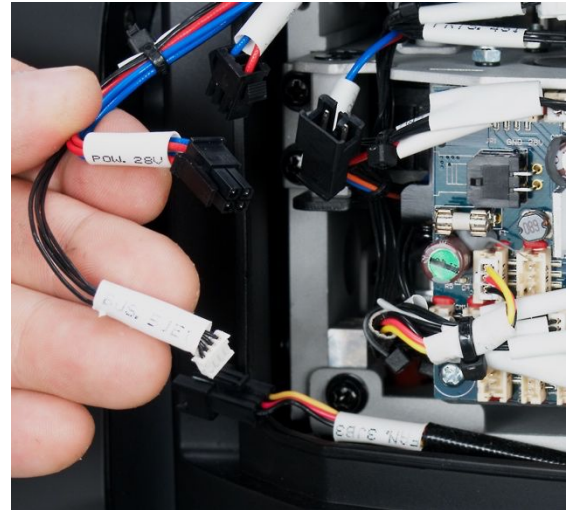
6d



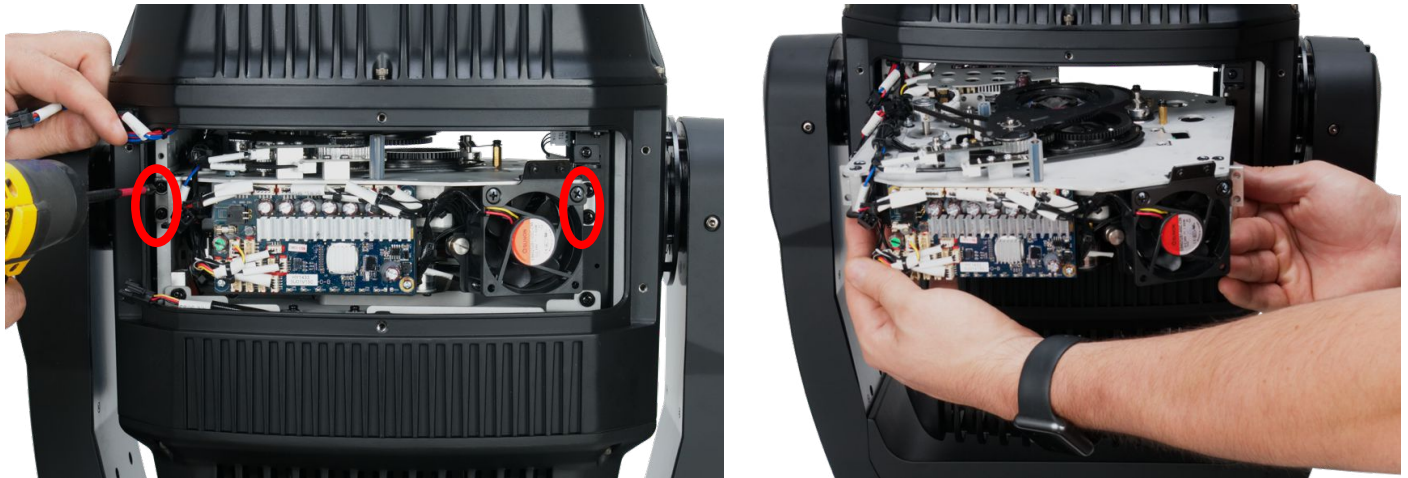
6e



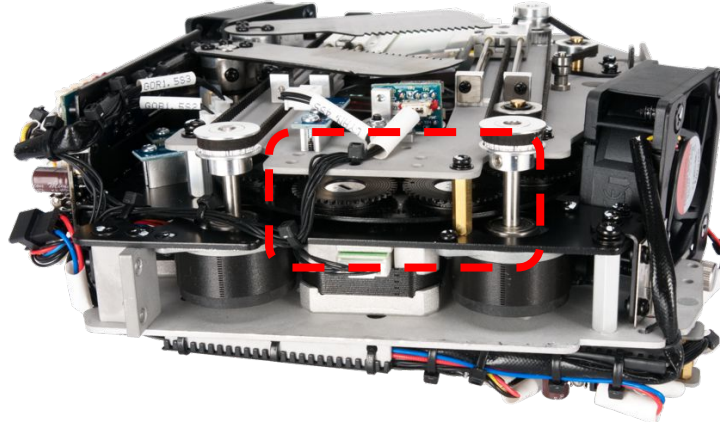
6f



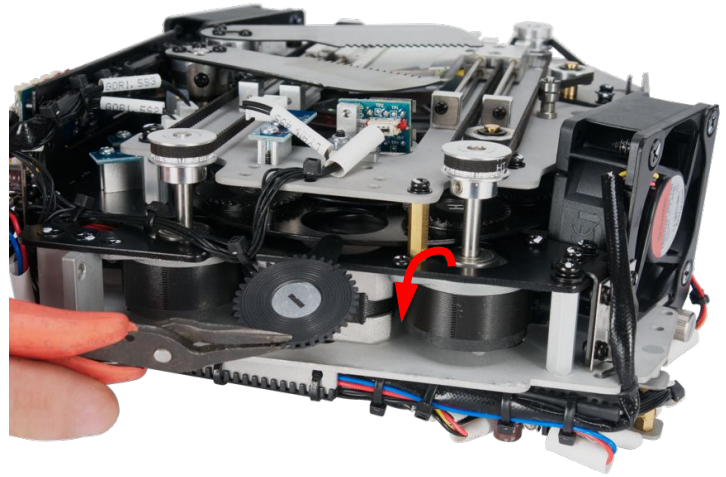
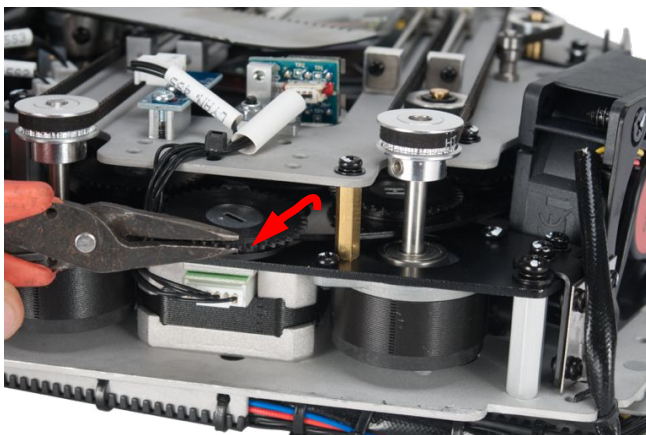
# GOBO INSTALLATION



7. Remove (2x) #2 Philips screws securing effect module. 8. Carefully remove effect module from fixture.



9. Place effect module on firm clean surface and locate GOBO to replace.



10. Carefully lift the GOBO Holder up and out from the GOBO wheel using small needle nose pliers.



**CAUTION! DO NOT SCRATCH GOBO AND HOLDER WHEN REPLACING!**

# GOBO INSTALLATION



11. Carefully remove retaining spring.  **CAUTION! DO NOT SCRATCH GOBO OR GOBO HOLDER!**



12. Carefully separate the GOBO disc from the GOBO Holder.

13. Carefully replace the GOBO and GOBO Holder following the instruction steps in reverse order.  
**NOTE: Brush away any debris using a nonabrasive brush before installing the effect module.**

# GOBO INSTALLATION

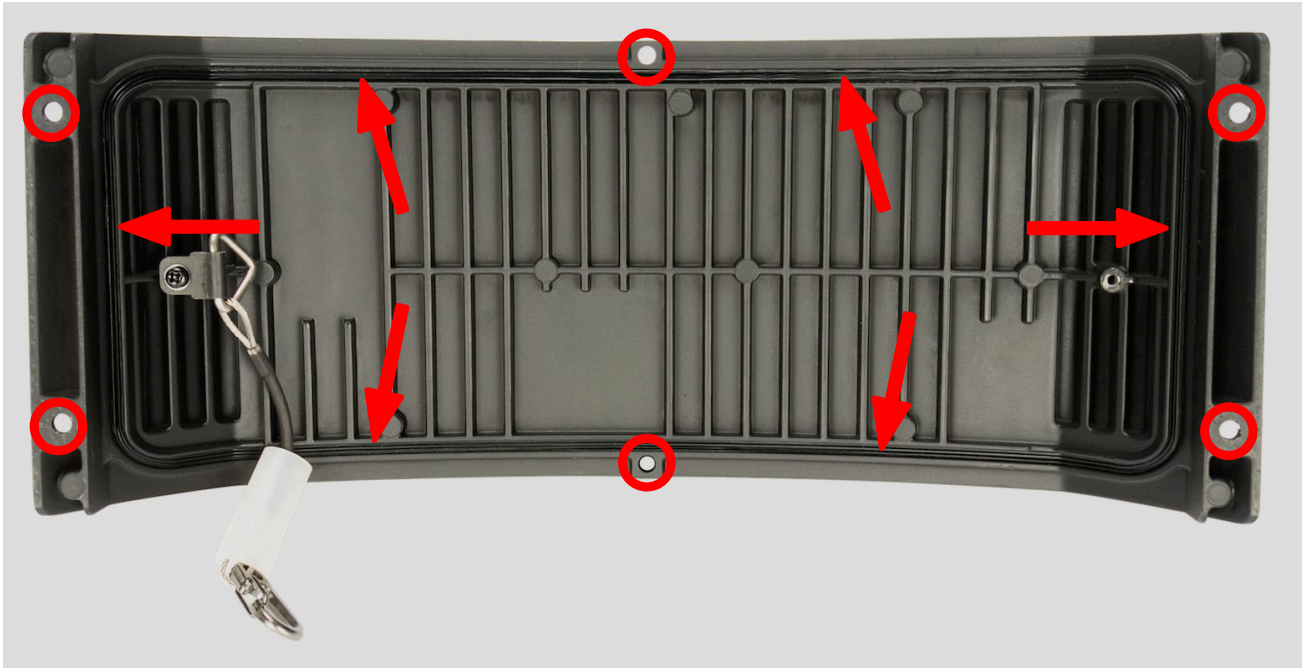


## GASKET INSPECTION

**CAREFULLY REMOVE ANY DEBRIS FOUND ON GASKET AND SCREW HOLES OF BOTH CENTER PANELS USING A NONABRASIVE BRUSH BEFORE INSTALLING!**

**CAREFULLY INSPECT GASKETS FOR SIGNS OF WEAR SUCH AS CRACKING OR HARDENING, DEFORMITIES, OR ALIGNMENT ISSUES BEFORE INSTALLING!**

**ITEMS ABOVE CAN IMPEDE THE IP65 INTEGRITY AND/OR CAUSE INTERNAL DAMAGE. CONTACT ELATION SERVICE REGARDING GASKET REPLACEMENT IF NEEDED.**



# GOBO INSTALLATION

## TORQUE SETTINGS FOR SCREWS



PANEL SCREWS MUST BE TIGHTENED WITH A TORQUE WRENCH.



The (12x) hex-head screws holding the panels **MUST** be tightened with a torque wrench. (not included) **TORQUE SETTING = 11 lbf-in (12.7kgf-cm) \***

\* lbf-in = Pound Force Inches | kgf-cm = Kilogram Force Centimeters



**CAUTION! DO NOT OVER TORQUE SCREWS AS THIS CAN CAUSE LEAKAGE ISSUES! TO CONFIRM THE IP65 INTEGRITY AFTER A GOBO REPLACEMENT, TEST FIXTURE USING THE ELATION IP TESTER. CONTACT ELATION SERVICE FOR MORE DETAILS.**





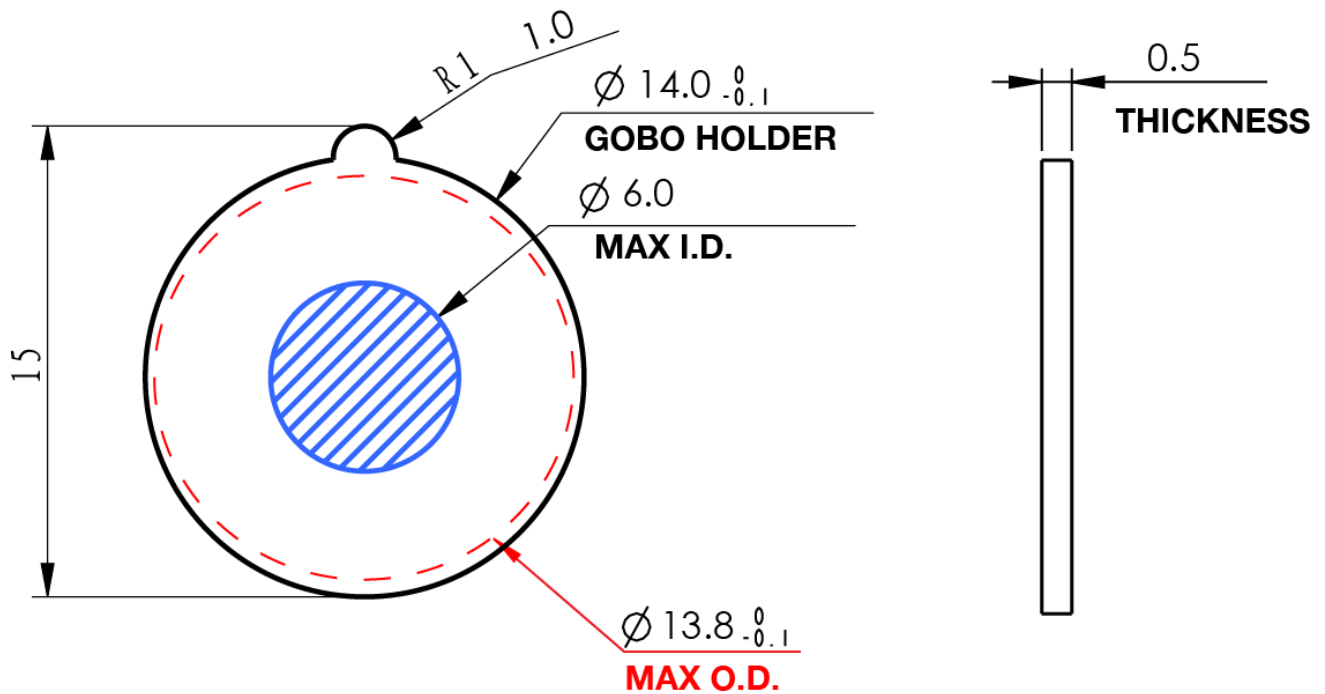
# ROTATING GOBO SPECIFICATIONS

**\* \* \* IMPORTANT NOTICE REGARDING CUSTOM GOBOS \* \* \***

Due to the extreme high temperature optical system, which can reach up to **968°F (520°C)**, special **STAINLESS-STEEL** glass material and design requirements are required. Due to varying gobo manufacturing processes and tolerances, it is highly recommended to provide a gobo sample from the fixture to the custom gobo vendor for accurate sizing.

Extended testing of custom gobo designs is highly recommended prior to using.

**PLEASE CONTACT ELATION CUSTOMER SUPPORT FOR FURTHER INFORMATION.**



<b>O.D. (Max. Outer Diameter)</b>	<b><math>\phi 13.8\text{mm}</math></b>
<b>I.D. (Max. Image Diameter)</b>	<b><math>\phi 6\text{mm}</math></b>
<b>Gobo Holder Diameter</b>	<b><math>\phi 14\text{mm}</math></b>
<b>Thickness</b>	<b>0.5mm</b>
<b>Material</b>	<b>STAINLESS STEEL</b>

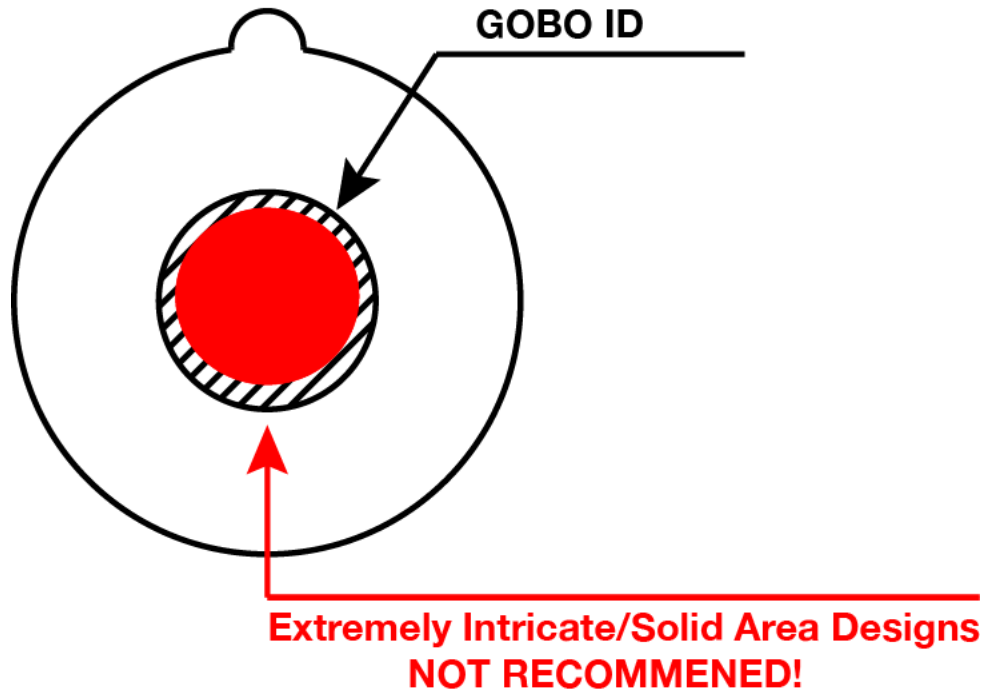
# CUSTOM GOBO DESIGN GUIDELINES

## **\* \* \* IMPORTANT NOTICE REGARDING CUSTOM GOBO DESIGNS\* \* \***

Extremely Intricate / Solid Area custom gobo designs are **NOT RECOMMENDED** due to the extreme high temperature optical system which can reach up to **842°F (450°C)**.

Custom gobo designs as illustrated below can burn during extended use periods.

**PLEASE CONTACT ELATION CUSTOMER SUPPORT FOR FURTHER INFORMATION.**



# INSTALLATION



## **FLAMMABLE MATERIAL WARNING**

Keep fixture at least 5.0 feet (1.5m) away from any flammable materials, decorations, pyrotechnics, etc.



## **ELECTRICAL CONNECTIONS**

A qualified electrician should be used for all electrical connections and/or installations.



## **MINIMUM DISTANCE TO OBJECTS/SURFACES**

**MUST BE 33 FEET (10 METERS)**



## **MAXIMUM TEMPERATURE OF EXTERNAL SURFACE**

**212° F (100° C)**

### **DO NOT INSTALL THE FIXTURE IF YOU ARE NOT QUALIFIED TO DO SO!**

Fixture **MUST** be installed following all local, national, and country commercial electrical and construction codes and regulations. Before rigging/mounting the fixture to any metal truss/structure or placing the fixture on any surface, a professional equipment installer **MUST** be consulted to determine if the metal truss/structure or surface is properly certified to safely hold the combined weight of the fixture, clamps, cables, and accessories.

Overhead fixture installation must always be secured with a secondary safety attachment; such as an appropriately rated safety cable that meets all local, national, and country codes and regulations.

Fixture ambient operating temperature range is **-4° to 113°F. (-20° to 45°C)**

Do not use this fixture outside this temperature range.

Fixture should be installed in areas outside walking paths, seating areas, or away from areas where unauthorized personnel might reach the fixture by hand.

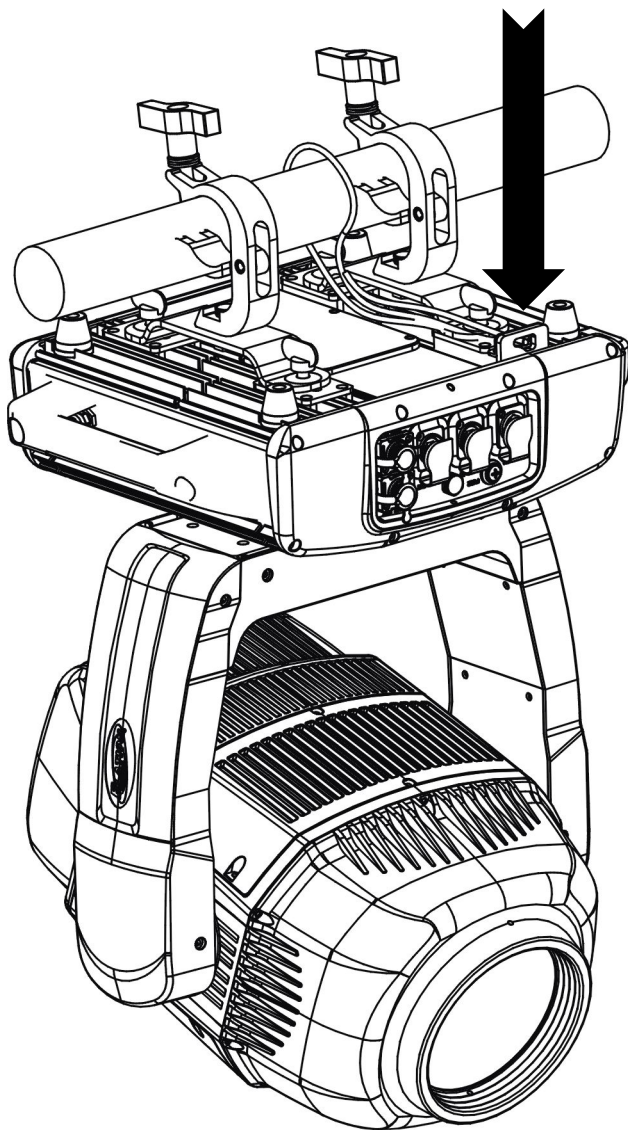
**NEVER** stand directly below the fixture when rigging, removing or servicing.

Allow approximately 15 minutes for the fixture to cool down before serving.

## INSTALLATION: TRUSS CLAMP

The fixture can be attached to a metal truss/structure using. When mounting this fixture to truss be sure to secure (2) appropriately rated clamps (not included) to the **(2) Omega Brackets (included)** Be sure to attach the **Safety Cable (included)** to the fixture using the safety cable rigging point integrated into the bottom of the fixture.

### SAFETY CABLE RIGGING POINT

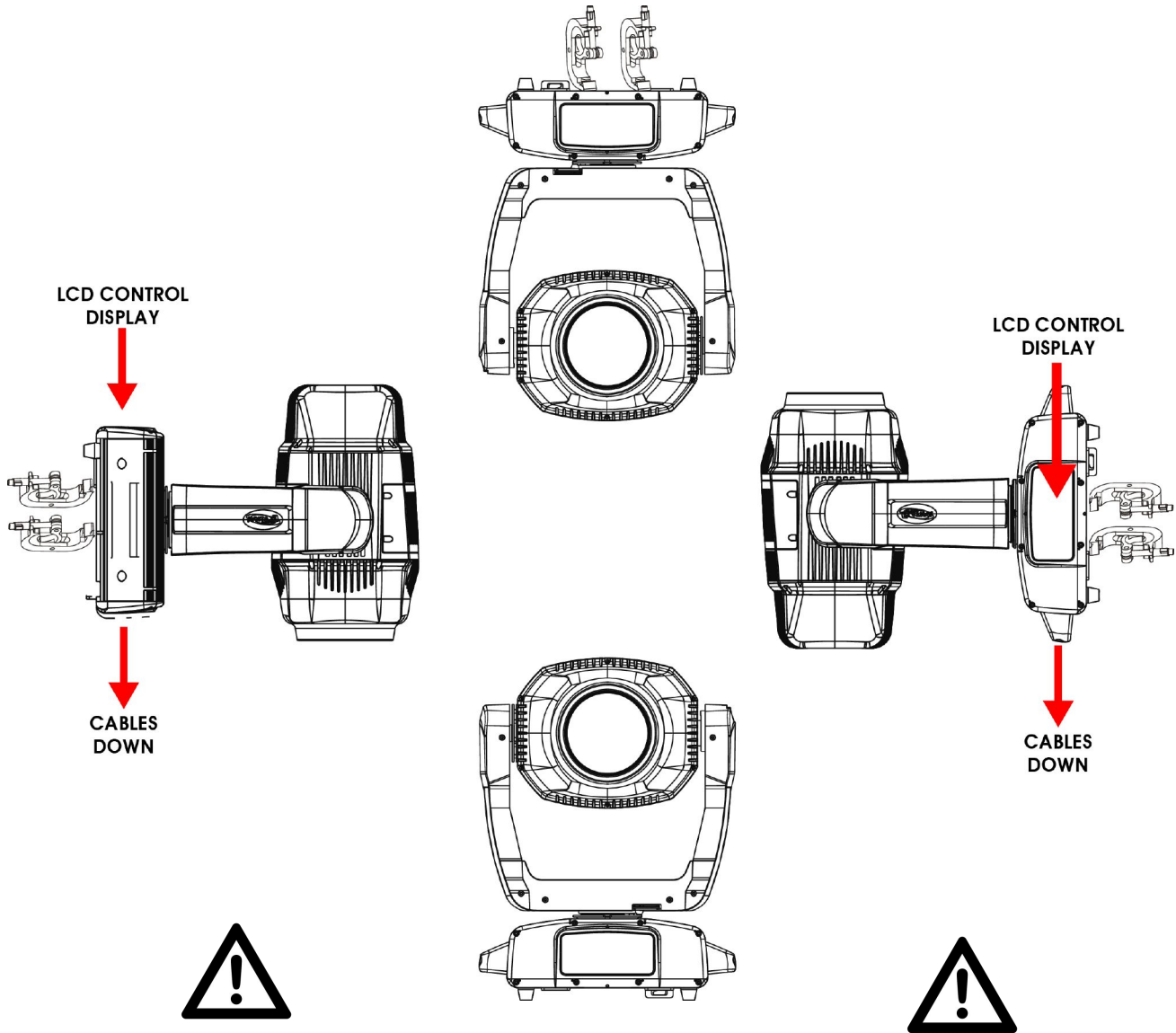


**S A F E T Y   C A B L E**  
**ALWAYS ATTACH A SAFETY CABLE**  
**WHENEVER INSTALLING THIS DEVICE IN A**  
**SUSPENDED ENVIRONMENT TO ENSURE THE**  
**FIXTURE WILL NOT DROP IF THE CLAMP**  
**FAILS.**

# INSTALLATION: OVERHEAD RIGGING

Overhead rigging requires extensive experience, including amongst others calculating working load limits, installation material being used, and periodic safety inspection of all installation material and the fixture. If you lack these qualifications, do not attempt the installation yourself. Improper installation can result in bodily injury.

Fixture is fully operational in the specific mounting positions illustrated below.



**\* SIDE MOUNTING**  
TO MAINTAIN IP65 RATING INTEGRITY,  
FIXTURE MUST BE INSTALLED WITH  
CABLES FACING DOWN TOWARDS THE  
GROUND AT ALL TIMES. WATER MUST  
EASILY RUN OFF AND NOT COLLECT  
AROUND CABLE CONNECTIONS.

**\* SAFETY CABLE**  
ALWAYS ATTACH A SAFETY CABLE  
WHENEVER INSTALLING THIS FIXTURE  
IN A SUSPENDED ENVIRONMENT TO  
ENSURE THE FIXTURE WILL NOT DROP  
IF THE CLAMP FAILS.

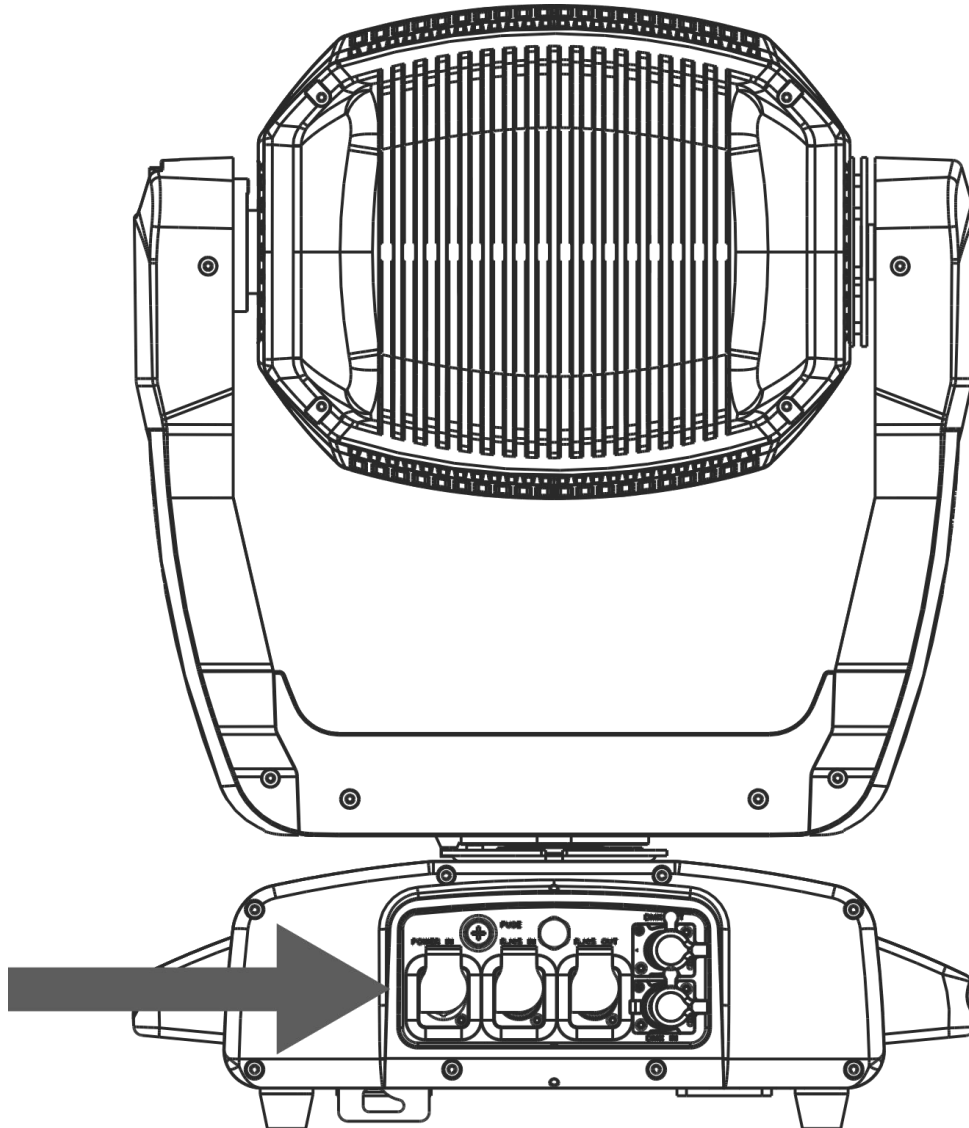
## INSTALLATION: CONNECTIONS



ENSURE ALL CONNECTIONS AND END CAPS ARE PROPERLY SEALED WITH A DIELECTRIC GREASE (AVAILABLE AT MOST ELECTRICAL SUPPLIERS) TO PREVENT WATER CORROSION AND/OR ELECTRICAL SHORT CIRCUIT.



TO MAINTAIN IP65 RATING INTEGRITY AND PREVENT WATER FROM ENTERING THE FIXTURE, ALL UNUSED CONNECTION RUBBER CAPS MUST BE SEALED.



# INSTALLATION

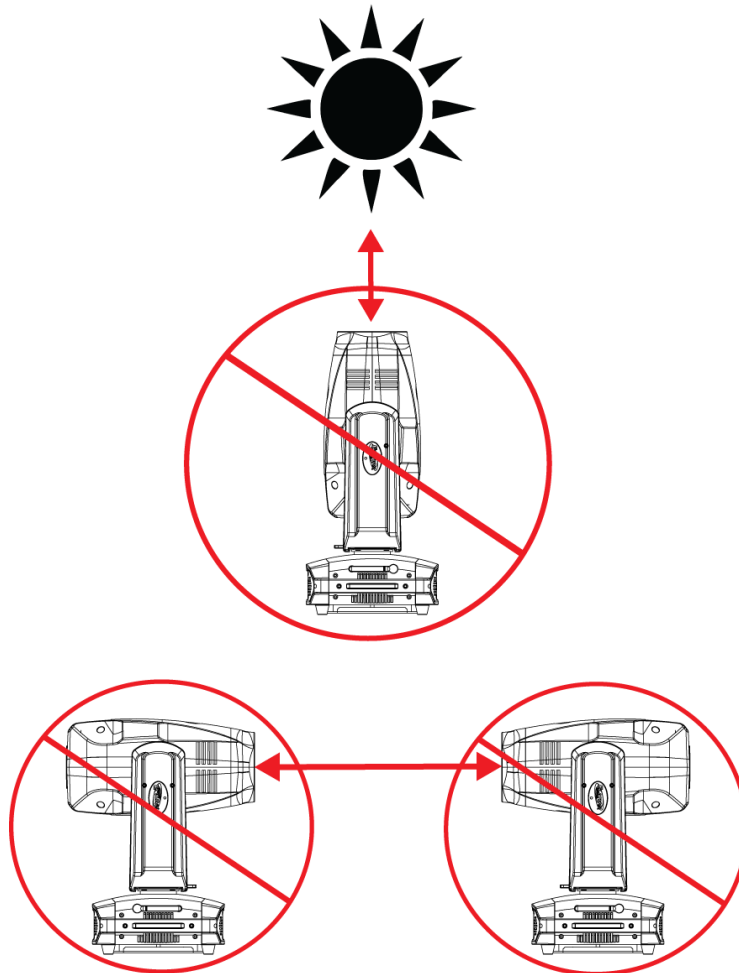
## POTENTIAL INTERNAL FIXTURE DAMAGE FROM EXTERNAL SOURCES OF LIGHT BEAMS

External sources of light beams from direct sunlight, lighting moving head fixtures, and lasers, which are focused directly on the exterior housing and/or penetrate the front lens opening of ELATION lighting fixtures, can cause severe internal damage including burning to optics, dichroic color filters, glass and metal gobos, prisms, animation wheels, frost filters, iris, shutters, motors, belts, wiring, discharge lamps, and LEDs.

This issue is not specific only to ELATION lighting fixtures, it is a common issue with lighting fixtures from all manufacturers. Although there is no true way to fully prevent this issue from happening, the guidelines below can prevent any potential damage from occurring if followed. Contact ELATION Service for more details.

**DO NOT EXPOSE THE FIXTURE AND/OR FRONT LENS OPENING TO LIGHT BEAMS FROM DIRECT SUNLIGHT, OTHER LIGHTING MOVING HEAD FIXTURES, AND LASERS WHILE UNPACKING, INSTALLATION, USE, AND EXTENDED IDLE TIMES OUTDOORS.**

**DO NOT FOCUS A LIGHT BEAM FROM ONE LIGHTING FIXTURE DIRECTLY TOWARDS ANOTHER.**



# SYSTEM MENU

The fixture includes an easy to navigate system menu control panel display where all necessary setting adjustments are made. (See image below) During normal operation, pressing **MODE/ESC** button once will access the fixture's main menu. Once in the main menu you can navigate through the different functions and access the sub-menus with the **UP, DOWN, RIGHT,** and **LEFT** buttons. Once you reach a field that requires adjusting, press the **ENTER** button to activate that field and use the **UP** and **DOWN** buttons to adjust the field. Pressing the **ENTER** button once more will confirm your setting. You may exit the main menu at any time without making any adjustments by pressing the **MODE/ESC** button.

**NOTE:** To access the LCD Menu Control Display via the internal battery, press and hold the **MODE/ESC** button for 10 seconds. The LCD Menu Control Display will shut **OFF** automatically about 60 seconds from the last button press.





## SYSTEM MENU - Supports Software Versions: ≥ 1.3.1

Features are subject to change without any prior written notice.

\*Rotation direction (Clockwise or Counterclockwise) of effects depends on orientation of the fixture head and Pan/Tilt settings.

MAIN MENU	SUB MENU	OPTIONS / VALUES (Default Settings in <b>BOLD</b> )		DESCRIPTION	
FUNCTION	Set Dmx Address	A001~AXXX		DMX Address Setting	
	Dmx Value	ALL.....		DMX Value Display	
	Secondary Mode	Secondary1, Secondary2, Secondary3		Secondary Setting	
	Auto Program	Primary / <b>Alone</b>		Auto Program	
INFORMATION	Time Information	Current Time	XXXX (Hours)	Fixture Run Time From Power ON	
		Total Run Time	XXXX (Hours)	Fixture Total Run Time	
		Last Run Time	XXXX (Hours)	Fixture Last Run Time	
		Lamp Hours	XXXX (Hours)	Lamp Running Time	
		Lamp Off Time	XXXX (Hours)	Lamp Off Time	
		LastRun Password	Password= <b>038</b>	<b>(PSWD Required)</b>	
		Clear Last Run	ON / <b>OFF</b>	Clear Fixture Last Run Time	
		LampTime Password	Password= <b>038</b>	<b>(PSWD Required)</b>	
	Clean Lamp Time	ON / <b>OFF</b>	Clear Lamp Last Run Time		
	Temperature Info	Head Temperature	XXX C° / F°	Temperature in Fixture Head	
		Base Temperature	XXX C° / F°	Temperature in Fixture Base	
	Ethernet IP	XXX . XXX . XXX . XXX	XXX . XXX . XXX . XXX	Displays Fixture Ethernet Address	
	Fan Info	1U_FAN1 - 6U_FAN2		RPM Speeds of Head/Base Fans	
	Encode Info	PAN ENCODE:, TILT ENCODE:...			
Software Version	1U01 - 6U01 ≥ <b>V1.3.1</b>		Software Version		
Error Info	Error Record 1 ~ Error Record 10		Fixture Last 10 Error Codes		
LAMP CONTROL	Lamp ON/OFF	<b>ON/OFF</b>		Lamp ON/OFF	
	Automatic ON	<b>ON/OFF</b>		Lamp ON/OFF when Power ON	
	Lamp ON via DMX	<b>ON/OFF</b>		Lamp ON via DMX	
	Lamp OFF via DMX	<b>ON/OFF</b>		Lamp OFF via DMX	
	Max ON at Temp	20~79°C ( <b>45°C</b> ) / 68 ~ 174°F ( <b>113°F</b> )		Lamp Restart at Temp	
	Lamp OFF Temp	80~139°C ( <b>130°C</b> ) / 176 ~ 282°F ( <b>266°F</b> )		Lamp OFF at Temp	
PERSONALITY	Status Settings	Address via DMX	<b>ON/OFF</b>	Address Via DMX	
		No DMX Status	Close / <b>Hold</b> / Auto	Fixture State When NO DMX Signal	
		Pan Reverse	<b>ON/OFF</b>	Pan Reverse Movement	
		Tilt Reverse	<b>ON/OFF</b>	Tilt Reverse Movement	
		Pan Degree	<b>630/540</b>	Pan Degree Select	
		Feedback	<b>ON/OFF</b>	Movement Feedback	
		Hibernation	<b>OFF, 01M~99M, 15M</b>	Stand By Mode	
	Service Setting	Password	Password= <b>050</b>		Service Password
		RDM PID	<b>22A6xxxxxxx</b>		RDM PID Code ( <b>PSWD Required</b> )
		Ethernet IP	XXX.XXX.XXX.XXX		Enter Fixture IP Address
		Ether Mask IP	XXX.XXX.XXX.XXX		Enter Fixture Subnet Mask
		Clear Err. Info	<b>ON/OFF</b>		Clear Error Info ( <b>PSWD Required</b> )
		DFLT Pow. LampOn	<b>ON/OFF</b>		Set Default Lamp Power State to ON
	Display Setting	Shutoff Time	02~60m <b>05m</b>		Display Shut Off Time
		Display Reverse	<b>AUTO/ON/OFF</b>		Display Reverse 180°
		Key Lock	<b>ON/OFF</b>		Control Panel Lock Out
	Temperature C/F	<b>Celsius/Fahrenheit</b>		Temperature Switch Between C°/ F°	
	Initial Status	CONTROL =XXX		Initial Effect Position	
	Select Signal	<b>DMX ONLY</b>		Control via DMX only	
		DMX & E-FLY		Control via DMX and E-FLY	
		E-FLY & OUT		Control via E-FLY and sends DMX Out	
		Art-Net on IP2		Control via Ethernet 002 IP Address	
		Art-Net on IP10		Control via Ethernet 010 IP Address	
		sACN		Control via sACN Protocol	
	Set Universe	<b>000</b> - 255		Set ArtNet Universe	
	Set E-FLY Chn	<b>00</b> - 15		Set E-FLY Wireless Channel	
	Reset Default	<b>ON/OFF</b>	Password= <b>011</b>	Restore Factory Settings ( <b>PSWD Required</b> )	

**SYSTEM MENU - Supports Software Versions: ≥ 1.3.1**

Features are subject to change without any prior written notice.

\*Rotation direction (Clockwise or Counterclockwise) of effects depends on orientation of the fixture head and Pan/Tilt settings.

<b>MAIN MENU</b>	<b>SUB MENU</b>	<b>OPTIONS / VALUES</b> (Default Settings in <b>BOLD</b> )		<b>DESCRIPTION</b>	
Reset Function	Reset All			Reset All Motors	
	Reset Pan&Tilt			Reset Pan/Tilt	
	Reset Colors			Reset Color Wheel	
	Reset Gobos			Reset Gobos	
	Reset Shutter			Reset Shutter	
	Reset Others			Reset Other Motors	
Effect Adjust	Test Channel	CONTROL .....		Test function	
	Manual Control	CONTROL =XXX, ...		Fine Adjustments	
	Calibration	Calibration Password	Password= <b>050</b>	Password <b>050 (PSWD Required)</b>	
User Mode Set	User Mode	Basic Mode		DMX Channel Modes	
		<b>Standard Mode</b>			
		Extended Mode			
		User Mode A		User Defined Channel Assignment	
		User Mode B			
	User Mode C				
	Edit User Mode A	Max Channel = XX PAN = CH01		Edits User Defined Channel Assignments	
Edit User Mode B					
Edit User Mode C					
Edit Program	Select Program	Auto Pro Part1 = Program 1~10 ( <b>Program 1</b> )		Select Programs To Be Run	
		Auto Pro Part2 = Program 1~10 ( <b>Program 2</b> )			
		Auto Pro Part3 = Program 1~10 ( <b>Program 3</b> )			
	Edit Program	Program 1	Program Test	Testing Program	
		:	Step 01=SCxxx	Program In Loop	
		Program 10	Step 64=SCxxx	Save and Exit	
	Edit Scenes	Scene 001 ~ Scene 250	Pan,Tilt,.....		Save and Automatically Return
			--Fade Time-- --Scene Time--		Manual Scenes Edit
Input By Outside			Stores Scenes via Ext DMX Console		
Rec. Controller	XX~XX			Automatic Scenes Recorder	

## SYSTEM MENU CHANGE WITH SOFTWARE UPDATE VERSION 1.4.0

See highlighted menu items below which have been updated with this software update.

### SYSTEM MENU - Supports Software Versions: ≥ 1.4.0

Features are subject to change without any prior written notice.

\*Rotation direction (Clockwise or Counterclockwise) of effects depends on orientation of the fixture head and Pan/Tilt settings.

MAIN MENU	SUB MENU	OPTIONS / VALUES (Default Settings in <b>BOLD</b> )	DESCRIPTION
FUNCTION	Set Dmx Address	A001~AXXX	DMX Address Setting
	Dmx Value	ALL.....	DMX Value Display
	Secondary Mode	Secondary1, Secondary2, Secondary3	Secondary Setting
	Auto Program	Primary / <b>Alone</b>	Auto Program
INFORMATION	Time Information	Current Time	XXXX (Hours) Fixture Run Time From Power ON
		Total Run Time	XXXX (Hours) Fixture Total Run Time
		Last Run Time	XXXX (Hours) Fixture Last Run Time
		Lamp Hours	XXXX (Hours) Lamp Running Time
		Lamp Off Time	XXXX (Hours) Lamp Off Time
		LastRun Password	Password= <b>038</b> <b>(PSWD Required)</b>
		Clear Last Run	ON / <b>OFF</b> Clear Fixture Last Run Time
		LampTime Password	Password= <b>038</b> <b>(PSWD Required)</b>
	Temperature Info	Head Temperature	XXX C° / F° Temperature in Fixture Head
		LAMP Temperature	XXX C° / F° Temperature of LAMP
		Base Temperature	XXX C° / F° Temperature in Fixture Base
	Humidity Info	Base Humidity	XXX%RH Humidity In Fixture Base
		Head Humidity	XXX%RH Humidity in Fixture Head
	Ethernet IP	XXX . XXX . XXX . XXX XXX . XXX . XXX . XXX	Displays Fixture Ethernet Address
	Fan Info	1U_FAN1 - 6U_FAN2	RPM Speeds of Head/Base Fans
	Encode Info	PAN ENCODE:, TILT ENCODE:...	
Software Version	1U01 - 6U01 ≥ <b>V1.4.0</b>	Software Version	
Error Info	Error Record 1 ~ Error Record 10	Fixture Last 10 Error Codes	
LAMP CONTROL	Lamp ON/OFF	<b>ON/OFF</b>	Lamp ON/OFF
	Automatic On	<b>ON/OFF</b>	Lamp ON/OFF when Power ON
	Lamp ON via DMX	<b>ON/OFF</b>	Lamp ON via DMX
	Lamp OFF via DMX	<b>ON/OFF</b>	Lamp OFF via DMX
	Max ON at Temp	20~79°C ( <b>45°C</b> ) / 68 ~ 174°F ( <b>113°F</b> )	Lamp Restart at Temp
	MaxOnatHumidity	20~100%RH, <b>70%RH</b>	Fixture Restart at Humidity
	Lamp OFF Temp.	80~139°C ( <b>130°C</b> ) / 176 ~ 282°F ( <b>266°F</b> )	Lamp OFF at Temp

## SYSTEM MENU CHANGE WITH SOFTWARE UPDATE VERSION 1.4.0

See highlighted menu items below which have been updated with this software update.

### SYSTEM MENU - Supports Software Versions: ≥ 1.4.0

Features are subject to change without any prior written notice.

\*Rotation direction (Clockwise or Counterclockwise) of effects depends on orientation of the fixture head and Pan/Tilt settings.

MAIN MENU	SUB MENU	OPTIONS / VALUES (Default Settings in <b>BOLD</b> )	DESCRIPTION	
PERSONALITY	Status Settings	Address via DMX	<b>ON/OFF</b>	Address Via DMX
		No DMX Status	Close / <b>Hold</b> / Auto	Fixture State When NO DMX Signal
		Pan Reverse	<b>ON/OFF</b>	Pan Reverse Movement
		Tilt Reverse	<b>ON/OFF</b>	Tilt Reverse Movement
		Pan Degree	630/ <b>540</b>	Pan Degree Select
		Feedback	<b>ON/OFF</b>	Movement Feedback
		Hibernation	OFF, 01M~99M, <b>15M</b>	Stand By Mode
	Service Setting	Password	Password= <b>050</b>	Service Password
		RDM UID	<b>22A6xxxxxxxx</b>	RDM PID Code ( <b>PSWD Required</b> )
		Clear Err. Info	<b>ON/OFF</b>	Clear Error Info ( <b>PSWD Required</b> )
		DFLT Pow. LampOn	<b>ON/OFF</b>	Set Default Lamp Power State to ON
	Display Setting	Shutoff Time	02~60m <b>05m</b>	Display Shut Off Time
		Display Reverse	<b>AUTO/ON/OFF</b>	Display Reverse 180°
		Key Lock	<b>ON/OFF</b>	Control Panel Lock Out
	Temperature C/F	<b>Celsius/Fahrenheit</b>		Temperature Switch Between C°/ F°
	Initial Status	control =XXX		Initial Effect Position
	Select Signal	<b>DMX ONLY</b>		Control via DMX only
		DMX & E-FLY		Control via DMX and E-FLY
		E-FLY & OUT		Control via E-FLY and sends DMX Out
		Art-Net		Control via Art-Net Protocol
		sACN		Control via sACN Protocol
	Ethernet IP	XXX.XXX.XXX.XXX		Set Fixture IP Address
	Ether Mask IP	XXX.XXX.XXX.XXX		Set Fixture Subnet Mask Address
Set Universe	<b>000</b> - 255		Set ArtNet Universe	
Set E-FLY Chn	<b>00</b> - 15		Set E-FLY Wireless Channel	
Reset Default	<b>ON/OFF</b>	Password= <b>011</b>	Restore Factory Settings ( <b>PSWD Required</b> )	

## SYSTEM MENU CHANGE WITH SOFTWARE UPDATE VERSION 1.4.1

See highlighted menu items below which have been updated with this software update.

### SYSTEM MENU - Supports Software Versions: ≥ 1.4.1

Features are subject to change without any prior written notice.

\*Rotation direction (Clockwise or Counterclockwise) of effects depends on orientation of the fixture head and Pan/Tilt settings.

MAIN MENU	SUB MENU	OPTIONS / VALUES (Default Settings in <b>BOLD</b> )		DESCRIPTION
FUNCTION	Set Dmx Address	A001~AXXX		DMX Address Setting
	Dmx Value	ALL.....		DMX Value Display
	Secondary Mode	Secondary1, Secondary2, Secondary3		Secondary Setting
	Auto Program	Primary / <b>Alone</b>		Auto Program
INFORMATION	Time Information	Current Time	XXXX (Hours)	Fixture Run Time From Power ON
		Total Run Time	XXXX (Hours)	Fixture Total Run Time
		Last Run Time	XXXX (Hours)	Fixture Last Run Time
		Lamp Hours	XXXX (Hours)	Lamp Running Time
		Lamp Off Time	XXXX (Hours)	Lamp Off Time
		LastRun Password	Password= <b>038</b>	<b>(PSWD Required)</b>
		Clear Last Run	ON / <b>OFF</b>	Clear Fixture Last Run Time
		LampTime Password	Password= <b>038</b>	<b>(PSWD Required)</b>
	Clean Lamp Time	ON / <b>OFF</b>	Clear Lamp Last Run Time	
	Temperature Info	Head Temperature	XXX C° / F°	Temperature in Fixture Head
		LAMP Temperature	XXX C° / F°	Temperature of LAMP
		Base Temperature	XXX C° / F°	Temperature in Fixture Base
	Humidity Info	Base Humidity	XXX% <b>RH</b>	Humidity In Fixture Base
		Head Humidity	XXX% <b>RH</b>	Humidity in Fixture Head
	Ethernet IP	XXX . XXX . XXX . XXX	XXX . XXX . XXX . XXX	Displays Fixture Ethernet Address
	Fan Info	1U_FAN1 - 6U_FAN2		RPM Speeds of Head/Base Fans
	Encode Info	PAN ENCODE:, TILT ENCODE:...		
	Software Version	1U01 - 6U01 ≥ <b>V1.4.1</b>		Software Version
Error Info	Error Record 1 ~ Error Record 10		Fixture Last 10 Error Codes	
Lamp Error log	Error Record 1 ~ Error Record 10		Lamp Last 10 Error Codes	
LAMP CONTROL	Lamp ON/OFF	<b>ON/OFF</b>		Lamp ON/OFF
	Automatic On	<b>ON/OFF</b>		Lamp ON/OFF when Power ON
	Lamp ON via DMX	<b>ON/OFF</b>		Lamp ON via DMX
	Lamp OFF via DMX	<b>ON/OFF</b>		Lamp OFF via DMX
	Max ON at Temp	20~79°C ( <b>45°C</b> ) / 68 ~ 174°F ( <b>113°F</b> )		Lamp Restart at Temp
	MaxOnatHumidity	20~100%RH, <b>70%RH</b>		Fixture Restart at Humidity
	Lamp OFF Temp.	80~139°C ( <b>130°C</b> ) / 176 ~ 282°F ( <b>266°F</b> )		Lamp OFF at Temp

## SYSTEM MENU CHANGE WITH SOFTWARE UPDATE VERSION 1.4.1

See highlighted menu items below which have been updated with this software update.

### SYSTEM MENU - Supports Software Versions: ≥ 1.4.1

Features are subject to change without any prior written notice.

\*Rotation direction (Clockwise or Counterclockwise) of effects depends on orientation of the fixture head and Pan/Tilt settings.

MAIN MENU	SUB MENU	OPTIONS / VALUES (Default Settings in <b>BOLD</b> )	DESCRIPTION	
PERSONALITY	Status Settings	Address via DMX	<b>ON/OFF</b>	Address Via DMX
		No DMX Status	Close / <b>Hold</b> / Auto	Fixture State When NO DMX Signal
		Pan Reverse	<b>ON/OFF</b>	Pan Reverse Movement
		Tilt Reverse	<b>ON/OFF</b>	Tilt Reverse Movement
		Pan Degree	630/ <b>540</b>	Pan Degree Select
		Feedback	<b>ON/OFF</b>	Movement Feedback
		Hibernation	OFF, 01M~99M, <b>15M</b>	Stand By Mode
	Service Setting	Password	Password= <b>050</b>	Service Password
		RDM UID	<b>22A6xxxxxxxx</b>	RDM PID Code ( <b>PSWD Required</b> )
		Clear Err. Info	<b>ON/OFF</b>	Clear Error Info ( <b>PSWD Required</b> )
		Clear Error code	<b>ON/OFF</b>	Clear Error Code ( <b>PSWD Required</b> )
		DFLT Pow. LampOn	<b>ON/OFF</b>	Set Default Lamp Power ON ( <b>PSWD Required</b> )
		DFLT Pow.EflyON	<b>ON/OFF</b>	Set Default E-FLY Power ON ( <b>PSWD Required</b> )
	Display Setting	Shutoff Time	02~60m <b>05m</b>	Display Shut Off Time
		Display Reverse	<b>AUTO</b> /ON/OFF	Display Reverse 180°
		Key Lock	<b>ON/OFF</b>	Control Panel Lock Out
	Temperature C/F	<b>Celsius/Fahrenheit</b>		Temperature Switch Between C°/ F°
	Initial Status	control =XXX		Initial Effect Position
	Select Signal	<b>E-FLY off</b>		E-FLY Wireless Control OFF
		DMX & E-FLY		Control via DMX and E-FLY
		E-FLY & OUT		Control via E-FLY and sends DMX Out
		Art-Net		Control via Art-Net Protocol
		sACN		Control via sACN Protocol
	Ethernet IP	XXX.XXX.XXX.XXX		Set Fixture IP Address
	Ether Mask IP	XXX.XXX.XXX.XXX		Set Fixture Subnet Mask Address
	Set Universe	<b>000</b> - 255		Set ArtNet Universe
Set E-FLY Chn	<b>00</b> - 15		Set E-FLY Wireless Channel	
Reset Default	<b>ON/OFF</b>	Password= <b>011</b>	Restore Factory Settings ( <b>PSWD Required</b> )	

## **PERSONALITY - Status Settings - Address Via DMX**

When ON, define the desired DMX address via an external controller.

**NOTE: This process assumes the fixture DMX address is set to 001. If fixture DMX address is not at 001, you must adjust the channel numbers accordingly in order for this feature to work.**

**For example: if your fixture address is 010, then Channel 1 becomes Channel 10, Channel 2 becomes Channel 11, and Channel 3 becomes Channel 12.**

1. Connect the fixture to the external controller and power ON.
2. Set the DMX value of **Channel 1** on the controller to **(7)**.
3. Set the DMX value of **Channel 2** on the controller to **(7)** or **(8)**.  
When set to **(7)**, the DMX address can be set between **(1)** and **(255)**.  
When set to **(8)**, the DMX address can be set between **(256)** and **(511)**.
4. Using **Channel 3** on the controller set the desired DMX address of the fixture.  
**Example 1:** If the desired DMX address is **57**, set **Channel 1** to a value of **(7)**, set **Channel 2** to a value of **(7)**, and then set **Channel 3** to a value of **(57)**.  
**Example 2:** If the desired DMX address is **420**, set **Channel 1** to a value of **(7)**, set **Channel 2** to a value of **(8)**, and then set **Channel 3** to a value of **(164)**. (256+164=420)
5. After setting **Channel 3** to the desired DMX address value, wait for approximately 20 seconds (some fixtures may require a longer time) for the fixture to complete the address reset function.

## **PERSONALITY - Reset Default (011)**



**ONLY QUALIFIED TECHNICIANS SHOULD PERFORM THIS FUNCTION.**  
**NOTE: SAVED WHITE BALANCE IS ERASED AFTER A RESET IS PERFORMED.**

This function restores all fixture settings to the factory default settings. The password is **011** and must be entered each time a reset is performed.

### **EFFECT ADJUST – Test Channel**

Auto test each individual channel function independently from the DMX control board.

### **EFFECT ADJUST – Manual Control**

Select and manually test and fine adjust each individual channel function

Independently from DMX control board. This function will center PAN and TILT motors and set dimmer to 100%. PAN and TILT functions will still operate if the fixture needs to be positioned to a flat clear surface. With the individual functions, you can focus the light on a flat surface (wall) and perform fine adjustments.

### **EFFECT ADJUST – Calibration**



**ONLY QUALIFIED TECHNICIANS SHOULD PERFORM THIS FUNCTION.**

This function allows small adjustments to be made to the Pan, Tilt, and Zoom movements to compensate for wear or in the event a sensor has been knocked slightly out of place. Because improper use of this function can result in undesired operation this function has been password protected. The password is **050** and must be entered each time the calibration menu function is entered. Because calibration is an extremely delicate procedure, instructions on performing this action are left out of this manual. For a first time calibrator, please contact our customer support team for step-by-step instructions.

# E-FLY WIRELESS DMX SET UP



**BEFORE SETTING THE WIRELESS CHANNEL ON ANY E-FLY FIXTURE, MAKE SURE THE SOURCE E-FLY WIRELESS DMX TRANSCEIVER DEVICE IS OFF.**

## **TO CONTROL FIXTURE WITH E-FLY WIRELESS DMX SIGNAL**

1. Ensure the source **E-FLY** wireless DMX Transceiver device is powered **OFF**.
2. Power **ON** fixture and from the LCD control panel select **DMX & E-FLY** or **E-FLY & OUT** in the **Select Signal** sub menu of the **PERSONALITY** main system menu.
3. From the LCD control panel set the **E-FLY** wireless channel to the same wireless channel of the source **E-FLY** DMX Transceiver device in the **Set E-FLY Chn** sub menu of the **PERSONALITY** main system menu.

**NOTE:** Erratic fixture movement may occur if other **E-FLY** wireless DMX products are in use in the same area and are using the same **E-FLY** wireless channel. The fixture may immediately start to respond to the DMX wireless signal from another **E-FLY** wireless DMX Transceiver immediately when **E-FLY** is enabled. Make sure to know what **E-FLY** wireless channels are being used in the area where the fixture is being installed.

**ELATION E-FLY WIRELESS TRANSCEIVER only has 0-14 wireless channels, NO CH 15.**

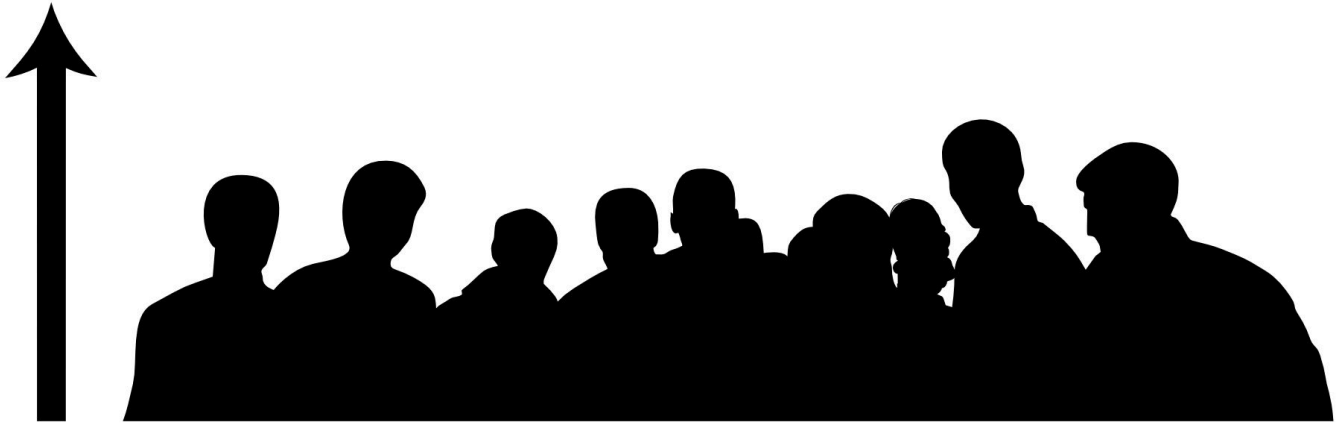
4. Set fixture DMX address in the **Set Dmx Address** sub menu of the **FUNCTION** main system menu.
5. The **E-FLY** signal Indicator on the fixture LCD control display will illuminate **GREEN** if a successful wireless DMX connection has been made or illuminate **RED** for NO connection. If no connection is made, repeat steps 1-4 above.
6. Repeat this process for all **E-FLY** compatible fixtures in the E-FLY wireless network, making sure all fixtures are assigned the same **E-FLY** wireless channel.
7. After all fixtures in the **E-FLY** wireless network have been set to the same **E-FLY** wireless channel and powered ON, now power ON the source **E-FLY** DMX Transceiver device.
8. Test all fixtures connected to the **E-FLY** wireless network to confirm proper functionality.



# WIRELESS E-FLY INSTALLATION LOCATION GUIDELINES

Wireless DMX signal can penetrate walls, glass, metal, and most objects. However, there are many factors that can affect and/or interrupt the wireless DMX signal, one of which is people. Therefore, it is highly recommended to position the wireless antenna a minimum of 9.8 ft. (3m) above audiences and/or above ground level. Careful planning and testing of the selected installation location is critical to ensure optimum and reliable wireless DMX operation.

**9.8 ft (3m)  
Above Ground**



# DMX TRAITS: CHANNEL FUNCTIONS AND VALUES

DMX Channel Values / Functions (28 DMX Channels)				
Supports Software Versions: $\geq 1.3.1$				
Features subject to change without any prior written notice.				
*Rotation direction (Clockwise or Counterclockwise) of effects depends on orientation of the fixture head and Pan/Tilt settings.				
MODE / CHANNEL			FUNCTION	
BASIC	STAND	EXTEND		
1	1	1	PAN MOVEMENT	
			0-255	PAN Movement
	2	2	PAN FINE MOVEMENT [16 BIT]	
			0-255	Fine Control of PAN Movement
2	3	3	TILT MOVEMENT	
			0-255	TILT Movement
	4	4	TILT MOVEMENT [16 BIT]	
			0-255	Fine Control of TILT Movement
3	5	5	CYAN COLOR	
			0-255	0-WHITE ~ 255-100% CYAN
		6	CYAN COLOR FINE [16 BIT]	
			0-255	CYAN FINE Adjustment
4	6	7	MAGENTA COLOR	
			0-255	0-WHITE ~ 255-100% MAGENTA
		8	MAGENTA COLOR FINE [16 BIT]	
			0-255	MAGENTA FINE Adjustment
5	7	9	YELLOW COLOR	
			0-255	0-WHITE ~ 255-100% YELLOW
		10	YELLOW COLOR FINE [16 BIT]	
			0-255	YELLOW FINE Adjustment
6	8	11	COLOR WHEEL	
			0-10	OPEN / WHITE
			11-19	RED
			20-28	BLUE
			29-37	GREEN
			38-46	YELLOW
			47-55	PINK
			56-64	ORANGE
			65-73	AQUA
			74-82	LIGHT PINK
			83-91	CYAN
			92-100	MAGENTA
			101-109	CTB
			110-118	CTO
			119-127	UV
128-189	*Clockwise COLOR Rotation from FAST to SLOW			
190-193	NO Rotation			
194-255	*Counterclockwise COLOR Rotation from SLOW to FAST			
		12	COLOR WHEEL FINE ADJUSTMENT [16 BIT]	
			0-255	FINE Adjustment of Color Wheel to Any Position

**Supports Software Versions: ≥ 1.3.1**

Features subject to change without any prior written notice.

\*Rotation direction (Clockwise or Counterclockwise) of effects depends on orientation of the fixture head and Pan/Tilt settings.

MODE / CHANNEL			VALUE	FUNCTION
BASIC	STAND	EXTEND		
7	9	13		<b>ROTATING GOBOS, CONTINUOUS ROTATION [GOBO WHEEL 1]</b>
			0-21	OPEN
			22-31	Rotating Gobo 1
			32-41	Rotating Gobo 2
			42-51	Rotating Gobo 3
			52-61	Rotating Gobo 4
			62-71	Rotating Gobo 5
			72-81	Rotating Gobo 6
			82-91	Rotating Gobo 7
			92-101	Rotating Gobo 8
			102-112	Gobo 1 Shake SLOW to FAST
			113-123	Gobo 2 Shake SLOW to FAST
			124-134	Gobo 3 Shake SLOW to FAST
			135-145	Gobo 4 Shake SLOW to FAST
			146-156	Gobo 5 Shake SLOW to FAST
			157-167	Gobo 6 Shake SLOW to FAST
			168-178	Gobo 7 Shake SLOW to FAST
			179-189	Gobo 8 Shake SLOW to FAST
190-223	*Clockwise Gobo Wheel Rotation from FAST to SLOW			
224-255	*Counterclockwise Gobo Wheel Rotation from SLOW to FAST			
8	10	14		<b>ROTATING GOBOS, INDEX ROTATION [GOBO WHEEL 1]</b>
			0-127	Gobo Indexing
			128-189	*Clockwise Gobo Rotation from FAST TO SLOW
			190-193	NO Rotation
			194-255	*Counterclockwise Gobo Rotation from SLOW to FAST
		15		<b>ROTATING GOBOS, FINE INDEX ROTATION [GOBO WHEEL 1] [16 BIT]</b>
			0-255	Gobo Rotation FINE Indexing

### Supports Software Versions: ≥ 1.3.1

Features subject to change without any prior written notice.

\*Rotation direction (Clockwise or Counterclockwise) of effects depends on orientation of the fixture head and Pan/Tilt settings.

MODE / CHANNEL			VALUE	FUNCTION
BASIC	STAND	EXTEND		
10	12	18		<b>ROTATING PRISM, PRISM / GOBO MACROS</b>
			0-31	OPEN
			32-63	5-FACET PRISM
			64-95	32-FACET PRISM
			96-127	5-FACET + 32-FACET PRISMS
			128-135	Prism / Gobo Macro 1
			136-143	Prism / Gobo Macro 2
			144-151	Prism / Gobo Macro 3
			152-159	Prism / Gobo Macro 4
			160-167	Prism / Gobo Macro 5
			168-175	Prism / Gobo Macro 6
			176-183	Prism / Gobo Macro 7
			184-191	Prism / Gobo Macro 8
			192-199	Prism / Gobo Macro 9
			200-207	Prism / Gobo Macro 10
			208-215	Prism / Gobo Macro 11
			216-223	Prism / Gobo Macro 12
224-231	Prism / Gobo Macro 13			
232-239	Prism / Gobo Macro 14			
240-247	Prism / Gobo Macro 15			
248-255	Prism / Gobo Macro 16			
11	13	19		<b>ROTATING PRISM, PRISM INDEX ROTATION</b>
			0-127	Prism Indexing
			128-189	*Clockwise Prism Rotation from FAST to SLOW
			190-193	NO Rotation
			194-255	*Counterclockwise Prism Rotation from SLOW to FAST
		20		<b>ROTATING PRISM, PRISM FINE INDEX ROTATION [16 BIT]</b>
			0-255	Gobo Rotation FINE Indexing
12	14	21		<b>FOCUS</b>
			0-255	Continuous Adjustment from NEAR to FAR
		22		<b>FOCUS FINE [16 BIT]</b>
			0-255	Continuous FINE Adjustment from NEAR to FAR

**Supports Software Versions: ≥ 1.3.1**

Features subject to change without any prior written notice.

\*Rotation direction (Clockwise or Counterclockwise) of effects depends on orientation of the fixture head and Pan/Tilt settings.

MODE / CHANNEL			VALUE	FUNCTION
BASIC	STAND	EXTEND		
13	15	23		<b>SHUTTER, STROBE</b>
			0-31	Shutter CLOSED
			32-63	NO Function (Shutter OPEN)
			64-95	Strobe Effect SLOW to FAST
			96-127	NO function (Shutter OPEN)
			128-159	Pulse Effect In Sequences
			160-191	NO Function (Shutter OPEN)
			192-223	Random Strobe Effect SLOW to FAST
		224-255	NO Function (Shutter OPEN)	
14	16	24		<b>DIMMER INTENSITY</b>
			0-255	Intensity 0 to 100%
		25		<b>DIMMER INTENSITY FINE [16 BIT]</b>
			0-255	Intensity 0 to 100%
15	17	26		<b>FROST</b>
			0-127	Disable FROST
			128-255	Enable FROST
16	18	27		<b>PAN / TILT MOVEMENT SPEED</b>
			0-225	MAX to MIN Speed
			226-235	Blackout by Movement
			236-245	Blackout by ALL Wheel Movement
			246-255	NO FUNCTION
17	19	28		<b>LAMP ON/OFF, RESET, INTERNAL PROGRAMS</b>
			0-19	COLOR Change Normal
			20-39	COLOR Change to Any Position
			40-59	LAMP ON
			60-79	LAMP SWITCH OFF
			80-84	ALL Motors Reset
			85-87	SCAN Motor Reset
			88-90	COLOR Motors Reset
			91-93	GOBO Motors Reset
			94-96	SHUTTER Motor Reset
			97-99	OTHER Motors Reset
			100-119	Internal Program 1
			120-139	Internal Program 2
			140-159	Internal Program 3
			160-179	Internal Program 4
			180-199	Internal Program 5
			200-219	Internal Program 6
220-239	Internal Program 7			
		240-255	NO FUNCTION	

## DMX TRAIT CHANGE WITH SOFTWARE UPDATE VERSION 1.4.0

See highlighted DMX Channels below which have been updated with this software update.

DMX Channel Values / Functions (30 DMX Channels)				
Supports Software Versions: ≥ 1.4.0				
Features subject to change without any prior written notice.				
*Rotation direction (Clockwise or Counterclockwise) of effects depends on orientation of the fixture head and Pan/Tilt settings.				
MODE / CHANNEL			VALUE	FUNCTION
BASIC	STAND	EXTEND		
1	1	1		PAN MOVEMENT
			0-255	PAN Movement
	2	2		PAN FINE MOVEMENT [16 BIT]
			0-255	Fine Control of PAN Movement
2	3	3		TILT MOVEMENT
			0-255	TILT Movement
	4	4		TILT MOVEMENT [16 BIT]
			0-255	Fine Control of TILT Movement
3	5	5		CYAN COLOR
			0-255	0-WHITE ~ 255-100% CYAN
		6		CYAN COLOR FINE [16 BIT]
			0-255	CYAN FINE Adjustment
4	6	7		MAGENTA COLOR
			0-255	0-WHITE ~ 255-100% MAGENTA
		8		MAGENTA COLOR FINE [16 BIT]
			0-255	MAGENTA FINE Adjustment
5	7	9		YELLOW COLOR
			0-255	0-WHITE ~ 255-100% YELLOW
		10		YELLOW COLOR FINE [16 BIT]
			0-255	YELLOW FINE Adjustment
6	8	11		COLOR WHEEL
			0-10	OPEN / WHITE
			11-19	RED
			20-28	BLUE
			29-37	GREEN
			38-46	YELLOW
			47-55	PINK
			56-64	ORANGE
			65-73	AQUA
			74-82	LIGHT PINK
			83-91	CYAN
			92-100	MAGENTA
			101-109	CTB
			110-118	CTO
			119-127	UV
			128-189	*Counterclockwise COLOR Rotation from FAST to SLOW
190-193	NO Rotation			
194-255	*Clockwise COLOR Rotation from SLOW to FAST			
		12		COLOR WHEEL FINE ADJUSTMENT [16 BIT]
			0-255	FINE Adjustment of Color Wheel to Any Position

**Supports Software Versions: ≥ 1.4.0**

Features subject to change without any prior written notice.

\*Rotation direction (Clockwise or Counterclockwise) of effects depends on orientation of the fixture head and Pan/Tilt settings.

MODE / CHANNEL			VALUE	FUNCTION
BASIC	STAND	EXTEND		
7	9	13		<b>ROTATING GOBOS, CONTINUOUS ROTATION [GOBO WHEEL 1]</b>
			0-21	OPEN
			22-31	Rotating Gobo 1
			32-41	Rotating Gobo 2
			42-51	Rotating Gobo 3
			52-61	Rotating Gobo 4
			62-71	Rotating Gobo 5
			72-81	Rotating Gobo 6
			82-91	Rotating Gobo 7
			92-101	Rotating Gobo 8
			102-112	Gobo 1 Shake SLOW to FAST
			113-123	Gobo 2 Shake SLOW to FAST
			124-134	Gobo 3 Shake SLOW to FAST
			135-145	Gobo 4 Shake SLOW to FAST
			146-156	Gobo 5 Shake SLOW to FAST
			157-167	Gobo 6 Shake SLOW to FAST
			168-178	Gobo 7 Shake SLOW to FAST
			179-189	Gobo 8 Shake SLOW to FAST
			190-223	*Clockwise Gobo Wheel Rotation from FAST to SLOW
			224-255	*Counterclockwise Gobo Wheel Rotation from SLOW to FAST
8	10	14		<b>ROTATING GOBOS, INDEX ROTATION [GOBO WHEEL 1]</b>
			0-127	Gobo Indexing
			128-189	*Clockwise Gobo Rotation from FAST TO SLOW
			190-193	NO Rotation
			194-255	*Counterclockwise Gobo Rotation from SLOW to FAST
		15		<b>ROTATING GOBOS, FINE INDEX ROTATION [GOBO WHEEL 1] [16 BIT]</b>
			0-255	Gobo Rotation FINE Indexing

**Supports Software Versions: ≥ 1.4.0**

Features subject to change without any prior written notice.

\*Rotation direction (Clockwise or Counterclockwise) of effects depends on orientation of the fixture head and Pan/Tilt settings.

MODE / CHANNEL			VALUE	FUNCTION
BASIC	STAND	EXTEND		
9	11	16		<b>STATIC / FIXED GOBOS [GOBO WHEEL 2]</b>
			0-7	OPEN
			8-14	Static / Fixed Gobo 1
			15-21	Static / Fixed Gobo 2
			22-28	Static / Fixed Gobo 3
			29-35	Static / Fixed Gobo 4
			36-42	Static / Fixed Gobo 5
			43-49	Static / Fixed Gobo 6
			50-56	Static / Fixed Gobo 7
			57-63	Static / Fixed Gobo 8
			64-70	Static / Fixed Gobo 9
			71-77	Static / Fixed Gobo 10
			78-84	Static / Fixed Gobo 11
			85-91	Static / Fixed Gobo 12
			92-98	Static / Fixed Gobo 13
			99-105	Shake SLOW to FAST Static / Fixed Gobo 1
			106-112	Shake SLOW to FAST Static / Fixed Gobo 2
			113-119	Shake SLOW to FAST Static / Fixed Gobo 3
			120-126	Shake SLOW to FAST Static / Fixed Gobo 4
			127-133	Shake SLOW to FAST Static / Fixed Gobo 5
			134-140	Shake SLOW to FAST Static / Fixed Gobo 6
			141-147	Shake SLOW to FAST Static / Fixed Gobo 7
			148-154	Shake SLOW to FAST Static / Fixed Gobo 8
			155-161	Shake SLOW to FAST Static / Fixed Gobo 9
			162-168	Shake SLOW to FAST Static / Fixed Gobo 10
			169-175	Shake SLOW to FAST Static / Fixed Gobo 11
			176-182	Shake SLOW to FAST Static / Fixed Gobo 12
			183-189	Shake SLOW to FAST Static / Fixed Gobo 13
			190-221	*Clockwise Gobo Wheel Rotation from FAST to SLOW
			222-223	NO ROTATION
224-255	*Counterclockwise Gobo Wheel Rotation from SLOW to FAST			
		17		<b>STATIC / FIXED GOBOS, FINE INDEX ROTATION [GOBO WHEEL 2] [16 BIT]</b>
			0-255	Gobo Rotation FINE Indexing



**Supports Software Versions: ≥ 1.4.0**

Features subject to change without any prior written notice.

\*Rotation direction (Clockwise or Counterclockwise) of effects depends on orientation of the fixture head and Pan/Tilt settings.

MODE / CHANNEL			VALUE	FUNCTION
BASIC	STAND	EXTEND		
10	12	18		<b>ROTATING PRISM, PRISM / GOBO MACROS</b>
			0-31	OPEN
			32-63	5-FACET PRISM
			64-95	32-FACET PRISM
			96-127	5-FACET + 32-FACET PRISMS
			128-135	Prism / Gobo Macro 1
			136-143	Prism / Gobo Macro 2
			144-151	Prism / Gobo Macro 3
			152-159	Prism / Gobo Macro 4
			160-167	Prism / Gobo Macro 5
			168-175	Prism / Gobo Macro 6
			176-183	Prism / Gobo Macro 7
			184-191	Prism / Gobo Macro 8
			192-199	Prism / Gobo Macro 9
			200-207	Prism / Gobo Macro 10
			208-215	Prism / Gobo Macro 11
			216-223	Prism / Gobo Macro 12
224-231	Prism / Gobo Macro 13			
232-239	Prism / Gobo Macro 14			
240-247	Prism / Gobo Macro 15			
248-255	Prism / Gobo Macro 16			
11	13	19		<b>ROTATING PRISM, PRISM INDEX ROTATION</b>
			0-127	Prism Indexing
			128-189	*Clockwise Prism Rotation from FAST to SLOW
			190-193	NO Rotation
			194-255	*Counterclockwise Prism Rotation from SLOW to FAST
		20		<b>ROTATING PRISM, PRISM FINE INDEX ROTATION [16 BIT]</b>
			0-255	Gobo Rotation FINE Indexing
12	14	21		<b>FOCUS</b>
			0-255	Continuous Adjustment from NEAR to FAR
		22		<b>FOCUS FINE [16 BIT]</b>
			0-255	Continuous FINE Adjustment from NEAR to FAR

**Supports Software Versions: ≥ 1.4.0**

Features subject to change without any prior written notice.

\*Rotation direction (Clockwise or Counterclockwise) of effects depends on orientation of the fixture head and Pan/Tilt settings.

MODE / CHANNEL			VALUE	FUNCTION
BASIC	STAND	EXTEND		
13	15	23		<b>SHUTTER, STROBE</b>
			0-31	Shutter CLOSED
			32-63	NO Function (Shutter OPEN)
			64-95	Strobe Effect SLOW to FAST
			96-127	NO function (Shutter OPEN)
			128-159	Pulse Effect In Sequences
			160-191	NO Function (Shutter OPEN)
			192-223	Random Strobe Effect SLOW to FAST
		224-255	NO Function (Shutter OPEN)	
14	16	24		<b>DIMMER INTENSITY</b>
			0-255	Intensity 0 to 100%
		25		<b>DIMMER INTENSITY FINE [16 BIT]</b>
			0-255	Intensity 0 to 100%
15	17	26		<b>FROST</b>
			0-127	Disable FROST
			128-255	Enable FROST
16	18	27		<b>CMY COLOR MACROS</b>
			0-255	CMY Color Macro Speed MIN to MAX
17	19	28		<b>CMY COLOR MACROS</b>
			0-31	OFF
			32-39	COLOR MACRO 01
			40-47	COLOR MACRO 02
			48-55	COLOR MACRO 03
			56-63	COLOR MACRO 04
			64-71	COLOR MACRO 05
			72-79	COLOR MACRO 06
			80-87	COLOR MACRO 07
			88-95	COLOR MACRO 08
			96-103	COLOR MACRO 09
			104-111	COLOR MACRO 10
			112-119	COLOR MACRO 11
			120-127	COLOR MACRO 12
			128-135	COLOR MACRO 13
			136-143	COLOR MACRO 14
			144-151	COLOR MACRO 15
			152-159	COLOR MACRO 16
			160-167	COLOR MACRO 17
			168-175	COLOR MACRO 18
			176-183	COLOR MACRO 19
			184-191	COLOR MACRO 20
			192-199	COLOR MACRO 21
			200-207	COLOR MACRO 22
			208-215	COLOR MACRO 23
			216-223	COLOR MACRO 24
			224-231	COLOR MACRO 25
			232-239	COLOR MACRO 26
240-247	COLOR MACRO 27			
		248-255	Random CMY	

## Supports Software Versions: ≥ 1.4.0

Features subject to change without any prior written notice.

\*Rotation direction (Clockwise or Counterclockwise) of effects depends on orientation of the fixture head and Pan/Tilt settings.

MODE / CHANNEL			VALUE	FUNCTION
BASIC	STAND	EXTEND		
18	20	29		<b>PAN / TILT MOVEMENT SPEED</b>
			0-225	MAX to MIN Speed
			226-235	Blackout by Movement
			236-245	Blackout by ALL Wheel Movement
			246-255	NO FUNCTION
19	21	30		<b>LAMP ON/OFF, RESET, INTERNAL PROGRAMS</b>
			0-19	COLOR Change Normal
			20-39	COLOR Change to Any Position
			40-59	LAMP ON
			60-79	LAMP SWITCH OFF
			80-84	ALL Motors Reset
			85-87	SCAN Motor Reset
			88-90	COLOR Motors Reset
			91-93	GOBO Motors Reset
			94-96	SHUTTER Motor Reset
			97-99	OTHER Motors Reset
			100-119	Internal Program 1
			120-139	Internal Program 2
			140-159	Internal Program 3
			160-179	Internal Program 4
			180-199	Internal Program 5
			200-219	Internal Program 6
220-239	Internal Program 7			
	240-255	NO FUNCTION		

# ERROR CODES

When power is applied, the unit will automatically enter a **“Reset/Test”** mode. This mode brings all the internal motors to a home position. If there is an internal problem with one or more of the motors an error code will flash in the display in the form of **“XXer”** where as XX will represent a function number. For example, when the display shows **“0Er”** it means there is some type of error with the Pan motor. If there are multiple errors during the start-up process they will all flash in the display. For example: if the fixtures has errors on **Channel 1, 2, and 5** all at the same time, you will see the error message **“01Er”, “02Er”, and ”05Er”** flash repeated 5 times.

If an error does occur during the initial start-up procedure the fixture will self-generate a second reset signal and try to realign all the motors and correct the errors. If the error persists after a second attempt a third attempt will be made. If after a third attempt all the errors have not been corrected the fixture will make the following determinations:

- **3 or More Errors** - The fixture cannot function properly with three or more errors therefore the fixture will place itself in a stand-by mode until subsequent repairs can be made.
- **Less Than 3 Errors** - The fixture has less than 3 errors; therefore, most other functions will work properly. The fixture will attempt to operate normally until the errors can be correct by a technician. The errors in question will remain flashing in the display as a reminder of internal errors.

## ERROR CODES

Error Codes are subject to change without any prior written notice.

ERROR CODE	DESCRIPTION
<b>PAN Er</b>	The PAN movement is not located in the default position after the reset. This message will appear after a fixture reset if the magnetic-indexing circuit malfunctions (sensor failed or magnet is missing) or there is a motor failure (defective motor or a defective motor IC drive on the main PCB). This error may also be displayed if the head/yoke was blocked during a reset function.
<b>TILT Er</b>	The TILT movement is not located in the default position after the reset. This message will appear after a fixture reset if the magnetic-indexing circuit malfunctions (sensor failed or magnet is missing) or there is a motor failure (defective motor or defective motor IC drive on main PCB). This error may also be displayed if the head was blocked during a reset function.
<b>Cyan Wheel Er</b>	The Cyan Color Wheel is not located in the default position after the reset. This message will appear after the reset of the fixture reset if the magnetic-indexing circuit malfunctions (sensor failed or magnet is missing) or there is a stepper motor failure (defective motor or defective motor IC drive on main PCB).
<b>Magenta Wheel Er</b>	The Magenta Color Wheel is not located in the default position after the reset. This message will appear after the reset of the fixture reset if the magnetic-indexing circuit malfunctions (sensor failed or magnet is missing) or there is a stepper motor failure (defective motor or defective motor IC drive on main PCB).
<b>Yellow Wheel Er</b>	The Yellow Color Wheel is not located in the default position after the reset. This message will appear after the reset of the fixture reset if the magnetic-indexing circuit malfunctions (sensor failed or magnet is missing) or there is a stepper motor failure (defective motor or defective motor IC drive on main PCB).
<b>Color Wheel Er</b>	The Color Wheel is not located in the default position after the reset. This message will appear after the reset of the fixture reset if the magnetic-indexing circuit malfunctions (sensor failed or magnet is missing) or there is a stepper motor failure (defective motor or defective motor IC drive on main PCB).
<b>Rotating Gobo Wheel Er</b>	The Rotating Gobo Wheel movement is not located in the default position after the reset. This message will appear after a fixture reset if the gobo wheel's magnetic-indexing circuit malfunctions (sensor failed or magnet is missing) or there is a stepper motor failure (defective motor or defective motor IC drive on main PCB).

## ERROR CODES

Specifications and features are subject to change without any prior written notice.

<b>ERROR CODE</b>	<b>DESCRIPTION</b>
<b>Rotating Gobo Rotation Er</b>	The Rotating Gobo rotation movement is not located in the default position after the reset. This message will appear after a fixture reset if the gobo wheel's magnetic-indexing circuit malfunctions (sensor failed or magnet is missing) or there is a stepper motor failure (defective motor or defective motor IC drive on main PCB).
<b>Fixed Gobo Wheel Er</b>	The Fixed Gobo Wheel movement is not located in the default position after the reset. This message will appear after a fixture reset if the gobo wheel's magnetic-indexing circuit malfunctions (sensor failed or magnet is missing) or there is a stepper motor failure (defective motor or defective motor IC drive on main PCB).
<b>Prism Er</b>	The Prism Wheel 1 movement is not located in the default position after the reset. This message will appear after a fixture reset if the gobo wheel's magnetic-indexing circuit malfunctions (sensor failed or magnet is missing) or there is a stepper motor failure (defective motor or defective motor IC drive on main PCB).
<b>Focus Er</b>	The Focus movement is not located in the default position after the reset. This message will appear after the reset of the fixture reset if the magnetic-indexing circuit malfunctions (sensor failed or magnet is missing) or there is a stepper motor failure (defective motor or defective motor IC drive on main PCB).
<b>Frost Wheel Er</b>	The Frost Wheel is not located in the default position after the reset. This message will appear after the reset of the fixture reset if the magnetic-indexing circuit malfunctions (sensor failed or magnet is missing) or there is a stepper motor failure (defective motor or defective motor IC drive on main PCB).

## ERROR CODES

Error Codes are subject to change without any prior written notice.

<b>ERROR CODE</b>	<b>DESCRIPTION</b>
<b>3U_FanFault1</b>	Error information from JB1 port on 3U01 PCB.
<b>4U_FanFault2</b>	Error information from JB2 port on 4U01 PCB.
<b>5U_FanFault1</b>	Error information from JB1 port on 5U01 PCB.
<b>6U_FanFault2</b>	Error information from JB2 port on 6U01 PCB.
<b>Accelerometer Err</b>	Accelerometer calibration failure,
<b>Accelerometer ID Error</b>	Accelerometer fail to read ID information
<b>REPLACE THE LAMP</b>	
<b>Excess Humidity</b>	Humidity >85%
<b>Humidity Warning</b>	Humidity=70%
<b>In the Preheating</b>	Temperature < -15°C
<b>Preheat Finished</b>	Temperature > -5°C

# MAINTENANCE



C A U T I O N

Disconnect power before cleaning or maintenance.

## CLEANING

Frequent cleaning is recommended to insure proper function, optimized light output, and an extended life. The frequency of cleaning depends on the environment in which the fixture operates: damp, smoky or particularly dirty environments can cause greater accumulation of dirt on the fixture's optics.

Clean the external lens surface at least every 20 days with a soft cloth to avoid dirt/debris accumulation. **NEVER** use alcohol, solvents, or ammonia-based cleaners.

## MAINTENANCE

Regular inspections are recommended to insure proper function and extended life.

There are no user serviceable parts inside this fixture, please refer all other service issues to an authorized Elation service technician. Should you need any spare parts, please order genuine parts from your local Elation dealer.

Please refer to the following points during routine inspections:

A detailed electric check by an approved electrical engineer every three months, to make sure the circuit contacts are in good condition and prevent overheating.

Be sure all screws and fasteners are securely tightened at all times. Loose screws may fall out during normal operation resulting in damage or injury as larger parts could fall.

Check for any deformations on the housing, color lenses, rigging hardware and rigging points (ceiling, suspension, trussing). Deformations in the housing could allow for dust to enter into the fixture. Damaged rigging points or unsecured rigging could cause the fixture to fall and seriously injure a person(s).

Electric power supply cables must not show any damage, material fatigue or sediments. Never remove the ground prong from the power cable.



# SPECIFICATIONS

## SOURCE

Philips™ MSD Platinum 14R 280W 80CRI, 7,800K

1,500 Hour Average LAMP Life\*

\*May vary depending on several factors including but not limited to:

Environmental Conditions, Power/Voltage, Usage Patterns (On-Off Cycling), Control and Dimming.

## PHOTOMETRIC DATA

136,800 LUX 12,709 FC @49.2 ft (15m) 2.5°

## EFFECTS

5 and 32 Facet Rotating Prism and Prism Macros

Frost Filter Hybrid Wash Effect

Motorized Focus and Auto Focus

High Speed Mechanical Shutter and Strobe

Pan Angle: 540°/630°

Tilt Angle: 260°

## COLOR

13 Dichroic Colors including CTB, CTO, and UV

Full CMY Color Mixing

## GOBOS

(8) Interchangeable Rotating / Indexing Metal Gobos

(13) Static-Stamped Metal Gobos

## CONTROL / CONNECTIONS

(3) DMX Channel Modes (28 total channels)

6 Button Touch Control Panel

Full Color 180° Reversible LCD Menu Display

8 / 16 Bit Resolution Adjustable Movement

DMX, RDM, Art-NET, and sACN Protocol Support

Elation E-Fly™ Internal Wireless DMX Transceiver

IP65 5pin DMX In/Out

IP65 RJ45 Ethernet In/Out

IP65 Locking Power Cable In

With Wired Digital Communication Network

## SIZE / WEIGHT

Length: 17.1" (445mm)

Width: 17.87" (454mm)

Vertical Height: 26.77" (680mm)

Weight: 77.0 lbs. (35.0kg)

## ELECTRICAL / THERMAL

AC 100-240V - 50/60Hz

500W Max Power Consumption

14°F to 113°F (-10°C to 45°C)

## APPROVALS / RATINGS

CE | cETLus | IP65

Specifications and documentation subject to change without notice.

# COLORS AND GOBOS

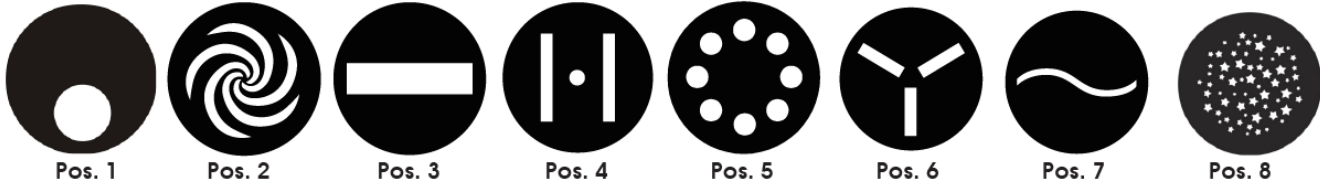
## COLOR FLAGS



## COLOR WHEEL



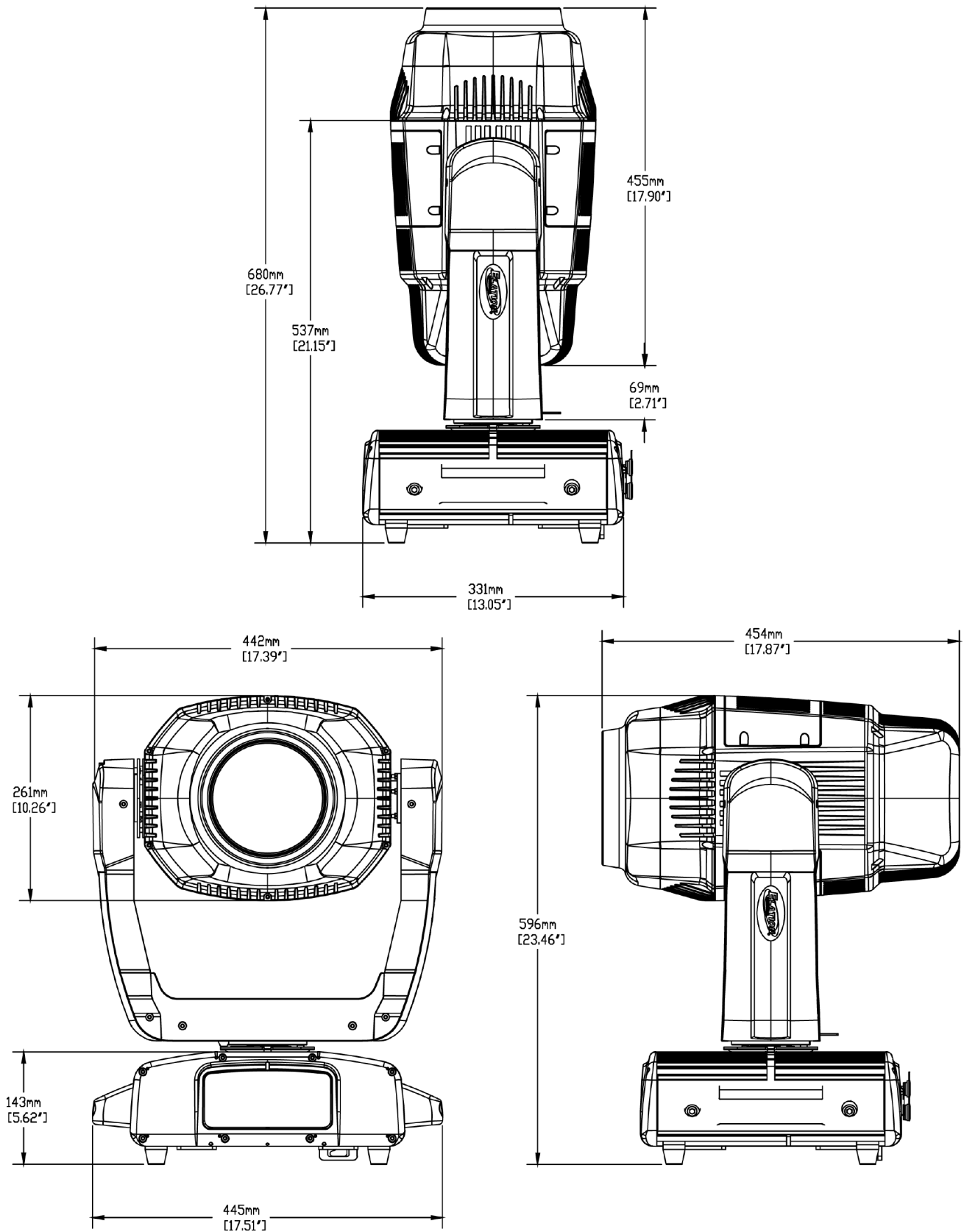
## INTERCHANGEABLE-ROTATING GOBO WHEEL 1



## STATIC-FIXED GOBO WHEEL 2



# DIMENSIONAL DRAWINGS



Specifications and improvements in the design of this unit and this manual are subject to change without notice.

# OPTIONAL ACCESSORIES

ORDER CODE	ITEM
TRIGGER CLAMP	Heavy Duty Wrap Around Hook Style Clamp
ELF001	E-FLY™ Wireless DMX Transceiver
DRCPROBEAM1	Single Road Case for PROTEUS BEAM
DRCPROBEAM	Dual Road Case for PROTEUS BEAM
IP TESTER	IP Fixture Vacuum and Pressure Leak Tester

## FCC STATEMENT

This device complies with Part 15 of the FCC Rules. Operation is subject to the following two conditions: (1) this device may not cause harmful interference, and (2) this device must accept any interference received, including interference that may cause undesired operation.

## FCC RADIO FREQUENCY INTERFERENCE WARNINGS & INSTRUCTIONS

This product has been tested and found to comply with the limits as per Part 15 of the FCC Rules. These limits are designed to provide reasonable protection against harmful interference in a residential installation. This device uses and can radiate radio frequency energy and, if not installed and used in accordance with the included instructions, may cause harmful interference to radio communications. However, there is no guarantee that interference will not occur in a particular installation. If this device does cause harmful interference to radio or television reception, which can be determined by turning the device off and on, the user is encouraged to try to correct the interference by one or more of the following methods:

- Reorient or relocate the device.
- Increase the separation between the device and the receiver.
- Connect the device to an electrical outlet on a circuit different from which the radio receiver is connected.
- Consult the dealer or an experienced radio/TV technician for help.

## Europe Energy Saving Notice

Energy Saving Matters (EuP 2009/125/EC)

Saving electric energy is a key to help protecting the environment. Please turn off all electrical products when they are not in use. To avoid power consumption in idle mode, disconnect all electrical equipment from power when not in use. Thank you



