

SMARTY HYBRID



280W Long Life Discharge IP65 Beam/Spot/Wash Hybrid Fixture



KEY FEATURES

3-in-1 Smart Hybrid Beam, Spot, Wash Luminaire
New Philips™ MSD Platinum 200 Flex Lamp
Up To 6,000 Lamp Hours*
FLEX Lamp Technology from 190 to 280W + Hibernation Mode
Motorized Zoom: 1° - 18° Beam, 3° - 27° Spot, 5° - 33° Wash
Full Frost Filter for Wash Effects
Full CMY Color Mixing System
13 Colors including Quad Color, CTB, CTO, and UV
8 Rotating Interchangeable Glass Gobos
12 Static-Stamped Metal Gobos
16-Facet and 4-Facet Linear Rotating Prisms
Multiple CMY Color, Gobo, and Prism Macros
Motorized Focus with Auto-Focus Feature
DMX, RDM, Art-NET, and sACN Support
Elation's E-FLY™ Internal Wireless DMX Transceiver
Ultimate Warranty** - Comprehensive 2 Years / 6,000 Hours
**First 2 Years of operation or 6,000 hours of use, whichever comes first, based on regular fixture/lamp maintenance.

DATA SHEET

FIL (Foam In Lay)

Custom fitted polyurethane foam insert. Fits easily into any custom sized flight case (not included), and provides enhanced impact protection during transport.

The **Smarty Hybrid™** is a compact full featured CMY color mixing spot, beam, and wash hybrid luminaire featuring the all new Philips™ MSD Platinum 200 Flex lamp with "FLEX" technology which uses a smartly designed discharge lamp/ballast package to produce high output and compact performance at an efficient, long life solution of up to 6,000 hours. Features include 11,000 total lumen output, motorized zoom ranges of 1° to 18° in beam mode, 3° to 27° in spot mode, and 5° to 33° in wash mode, a full CMY color mixing system, a full frost filter for wash effects, 13 dichroic colors including a quad-color filter, CTB, CTO, and UV, 8 rotating—interchangeable glass and 12 static-stamped metal gobos, a 16-facet and 5-facet linear independent rotating prisms, multiple CMY color, gobo, and prism macros, motorized focus with an auto-focus feature, high speed shutter and strobe, lamp hibernation mode, DMX, RDM (Remote Device Management), Art-NET, and sACN protocol support, Elation's E-FLY™ internal wireless DMX transceiver, 5pin XLR, RJ45 etherCON, and Neutrik TRUE1 power in/out connections, full color 180° reversible LCD menu display with battery backup, a multi-voltage universal auto switching power supply (100-240V), and a comprehensive 2-year / 6,000 hour ultimate warranty**

The **Smarty Hybrid FIL** fixture ships in a cardboard box with a custom fitted polyurethane foam FIL (Foam In Lay) insert. This foam insert easily fits into any custom sized flight case (not included), and provides enhanced impact protection during transport.



SMARTY HYBRID



280W Long Life Discharge IP65 Beam/Spot/Wash Hybrid Fixture

SPECIFICATIONS

SOURCE

Philips™ MSD Platinum 200 Flex 280W Lamp
Up To 6,000 Hour Lamp Life*

*May vary depending on several factors

including but not limited to:

Environmental Conditions, Power/Voltage,
Usage Patterns (On-Off Cycling), Control,
Dimming, and Lamp Mode.

PHOTOMETRIC DATA

11,000 Total Lumen Output

128,426 LUX 11,931 FC @49.2' (15m) (Min
Zoom Beam)

135,108 LUX 12,552 FC @16.4' (5m) (Min
Zoom Spot)

EFFECTS

Beam, Spot, and Wash Modes

Motorized Zoom: 1° - 18° Beam, 3° - 27° Spot,
5° - 33° Wash

Full Frost Filter for Wash Effects

16-Facet and 4-Facet Linear Rotating Prisms

CMY Color, Gobo, and Prism Macros

Motorized Focus with Auto-Focus Feature

High Speed Shutter and Strobe

Pan Angle: 540°/630°

Tilt Angle: 270°

COLOR

Full CMY Color Mixing System

13 Colors including Quad Color, CTB, CTO, and
UV

GOBOS

2 Gobo Wheels

8 Interchangeable-Rotating / Indexing Glass

Gobos

12 Static-Stamped Metal Gobos

CONTROL / CONNECTIONS

2 DMX Channel Modes (20/34 channels)

Full Color 180° Reversible LCD Menu Display

6 Button Menu Control Panel

16 Bit Resolution Adjustable Movement

DMX, RDM, Art-NET, and sACN Protocol

Support

Elation E-FLY Internal Wireless DMX

Transceiver

Hibernation Mode (Power Save)

5pin DMX In/Out

RJ45 etherCON In/Out

Neutrik TRUE1 Power In/Out

With Wired Digital Communication Network

SIZE / WEIGHT

Length: 15.2" (385mm)

Width: 15.9" (405mm)

Vertical Height: 24.0" (610mm)

Weight: 49.0 lbs. (22.2 kg)

ELECTRICAL / THERMAL

AC 100-240V - 50/60Hz

480W Max Power Consumption

14°F to 113°F (-10°C to 45°C)

APPROVALS / RATINGS

CE | cETLus | IP20



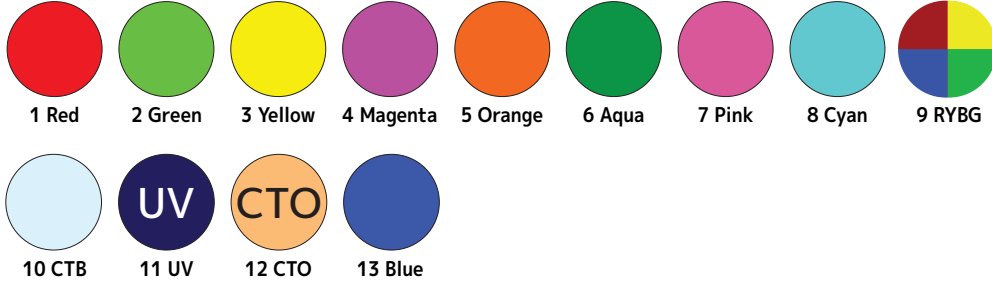
SMARTY HYBRID



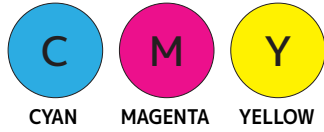
280W Long Life Discharge IP65 Beam/Spot/Wash Hybrid Fixture

GOBOS | COLORS | ANIMATION WHEEL

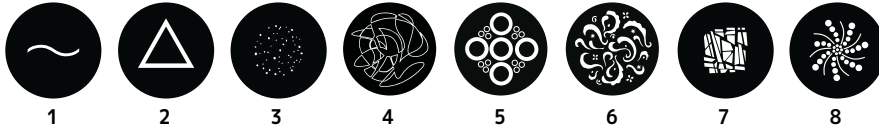
COLOR WHEEL



COLOR FLAGS



INTERCHANGEABLE-ROTATING GLASS GOBO WHEEL 1



STATIC-FIXED METAL GOBO WHEEL 2



ORDERING INFORMATION

ESH241	SMARTY HYBRID
DRCSMARTY	Dual Road Case For SMARTY HYBRID
ZB-MSD PLATINUM 200 FLEX	Philips MSD Platinum 200 Flex Lamp

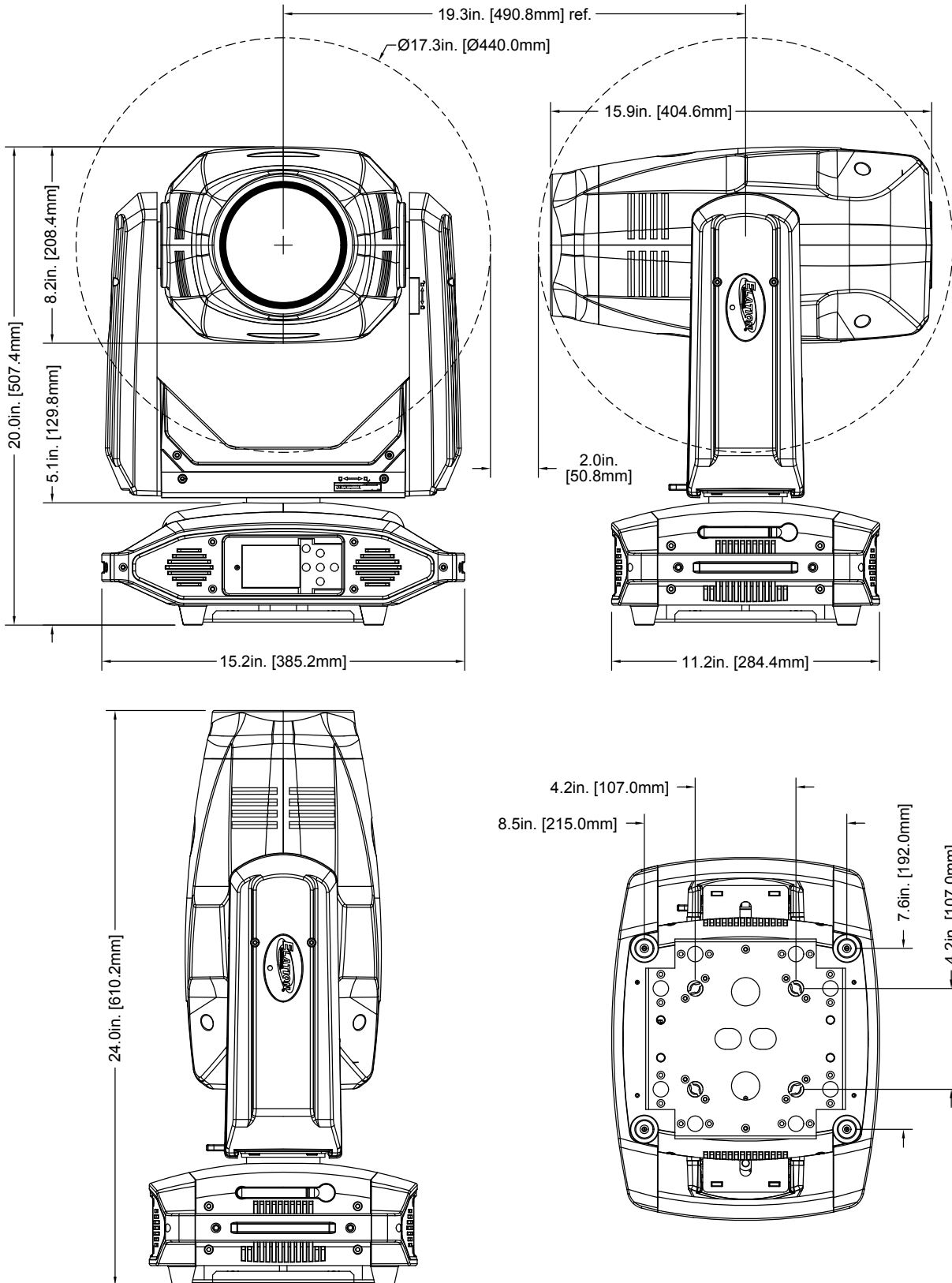


SMARTY HYBRID



280W Long Life Discharge IP65 Beam/Spot/Wash Hybrid Fixture

UNIT DIMENSIONS



Specifications are subject to change without notice ©Elation Professional 10/12/2022
Elation Professional USA | 6122 S. Eastern Ave. | Los Angeles, CA. 90040
323-582-3322 | 323-832-9142 fax | www.elationlighting.com | info@elationlighting.com

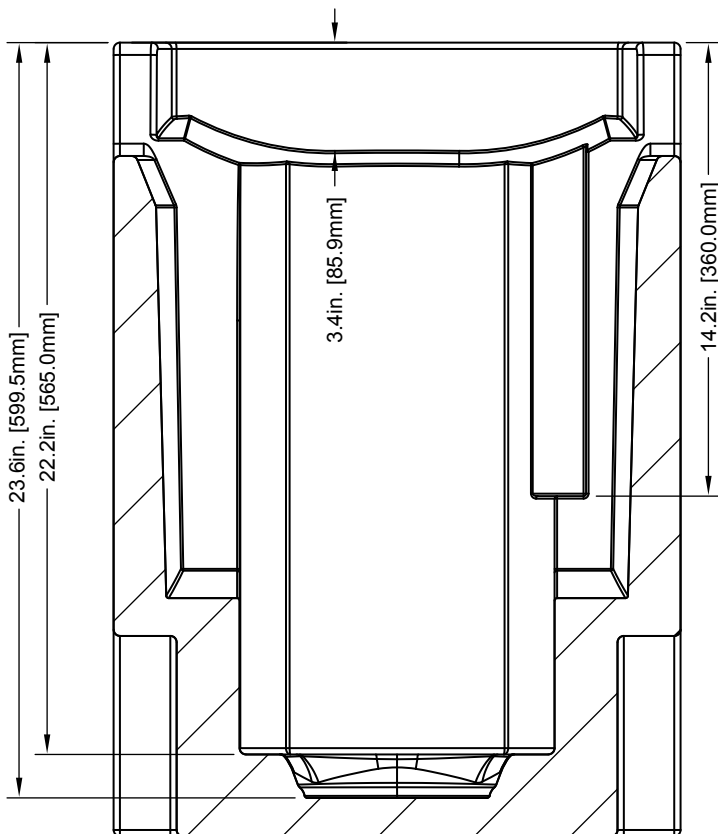
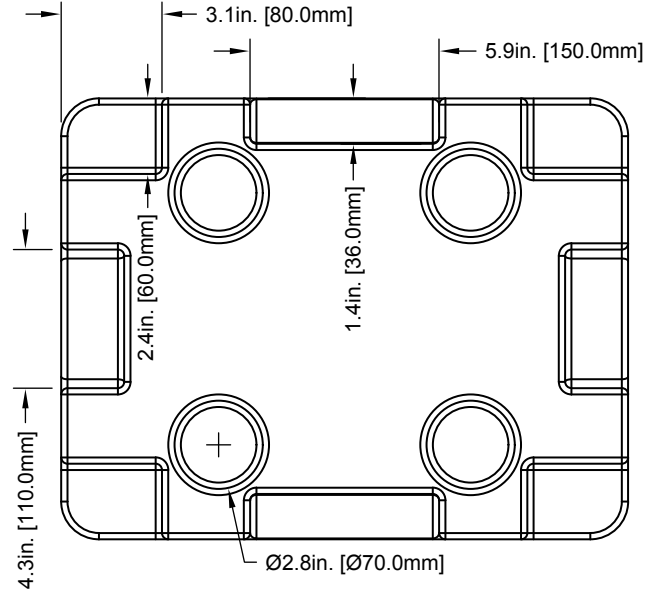
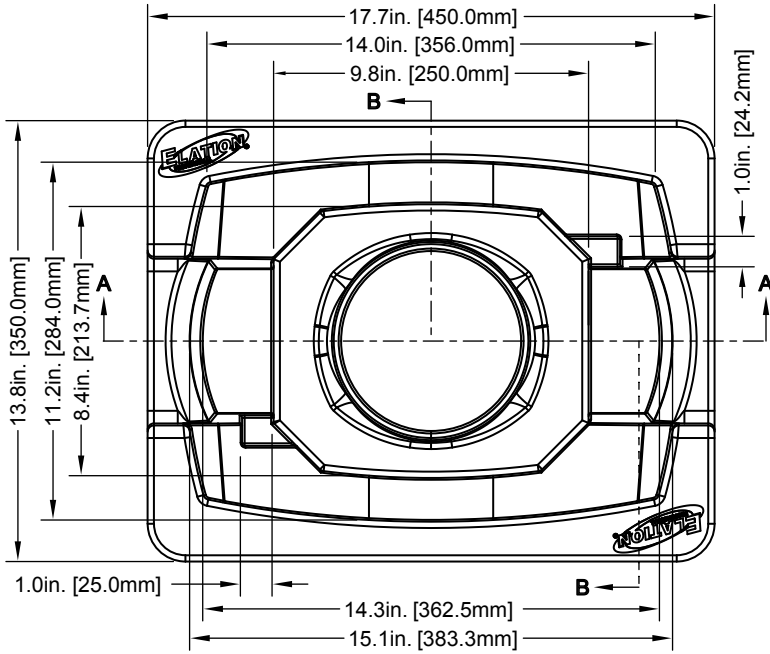
Elation Professional B.V. | Junostraat 2 | 6468 EW Kerkrade, The Netherlands
+31 45 546 85 66 | +31 45 546 85 96 fax | www.elationlighting.eu | info@elationlighting.eu

SMARTY HYBRID

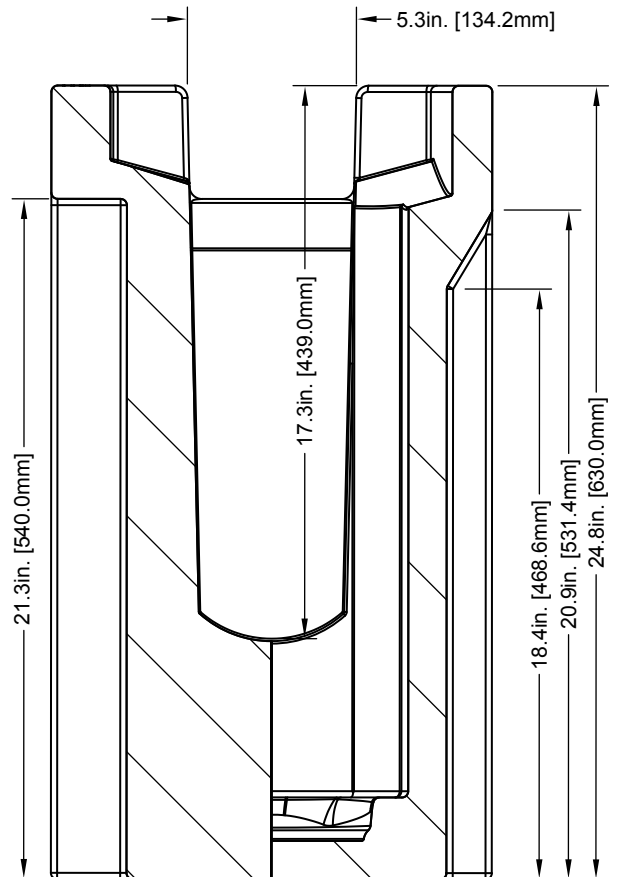


280W Long Life Discharge IP65 Beam/Spot/Wash Hybrid Fixture

FOAM IN-LAY DIMENSIONS



A-A



B-B

