

MAGNOMATIC

CRISP MAX



User Manual

US SKU#:
UPC#:

PSC225
810008261507



©2023 **MAGMATIC EFFECTS** all rights reserved. Information, specifications, diagrams, images, and instructions herein are subject to change without notice. **MAGMATIC EFFECTS** logo and identifying product names and numbers herein are trademarks of **MAGMATIC EFFECTS**. Copyright protection claimed includes all forms and matters of copyrightable materials and information now allowed by statutory or judicial law or hereinafter granted. Product names used in this document may be trademarks or registered trademarks of their respective companies and are hereby acknowledged. All non-MAGMATIC brands and product names are trademarks or registered trademarks of their respective companies.

MAGMATIC EFFECTS and all affiliated companies hereby disclaim any and all liabilities for property, equipment, building, and electrical damages, injuries to any persons, and direct or indirect economic loss associated with the use or reliance of any information contained within this document, and/or as a result of the improper, unsafe, insufficient and negligent assembly, installation, rigging, and operation of this product.

MAGMATIC EFFECTS | 6122 S. Eastern Ave. | Los Angeles, CA. 90040
323-582-3322 | 323-832-9142 fax | www.elationlighting.com | sales@magmaticeffects.com

Elation Professional B.V. | Junostraat 2 | 6468 EW Kerkrade, The Netherlands
+31 45 546 85 66 | +31 45 546 85 96 fax | www.elationlighting.eu | info@elationlighting.eu

Elation Professional Mexico | AC Santa Ana 30 | Parque Industrial Lerma, Lerma, Mexico 52000
+52 (728) 282-7070



DOCUMENT VERSION

Due to additional product features and/or enhancements, an updated version of this document may be available online.

Please check www.elationlighting.com for the latest revision/update of this manual before beginning installation and/or programming.

Date	Document Version	Software Version	DMX Channel Mode	Notes
10/20/20	1	1.1	1 / 3 / 5 Channels	Initial Release
10/27/20	2	1.1	1 / 3 / 5 Channels	Updated Set Up & Specifications
08/24/21	3	1.2	1 / 3 / 5 Channels	Updated Overview, Cleaning & Maintenance, Safety Guidelines, Control Panel, System Menu, Dimensional Drawing, and Specifications; added Message Icons
05/09/22	4	N/A	No change	Updated optional accessories
09/15/22	5	N/A	No change	Added RDM parameters & codes
10/11/22	6	N/A	No change	Updated safety guidelines
02/20/23	7	N/A	No change	Added Remote Control; updated Specifications
03/03/23	8	N/A	No Change	Updated Safety Guidelines
12/22/23	9	N/A	No Change	Updated Safety Guidelines and Specifications, added Installation Guidelines and FCC Statement

CONTENTS

General Information	4
Limited Warranty (USA Only)	5
Warranty Returns (USA Only)	6
Safety Guidelines	7
Overview	10
Operation	11
Installation Guidelines	12
Remote Control	15
Control Panel	16
System Menu	17
Message Icons	19
DMX Channel Functions & Values	20
RDM Parameters and Codes	21
Dimensional Drawings	22
Troubleshooting Cleaning & Maintenance	23
Specifications	24
FCC Statement	25

GENERAL INFORMATION

INTRODUCTION

Please read and understand the instructions in this manual carefully and thoroughly before attempting to operate this device. These instructions contain important safety and use information.

This product is intended to be used by professionally trained personnel only and is not suitable for private use.

UNPACKING

Every device has been thoroughly tested and has been shipped in perfect operating condition. Carefully check the shipping carton for damage that may have occurred during shipping. If the carton is damaged, carefully inspect the device for damage, and be sure all accessories necessary to install and operate the device have arrived intact. In the event that damage has been found or parts are missing, please contact our customer support team for further instructions. Please do not return this device to your dealer without first contacting customer support. Please do not discard the shipping carton in the trash. Please recycle whenever possible.

BOX CONTENTS

Twist-locking Power Cable (x1)

Road Case (x1)

Snow Cannon (x1)

10-meter Hose (x1)

10-meter Power Extension Cable (x1)

CUSTOMER SUPPORT

Contact **MAGMATIC** customer service for any product related service and support needs.

Also visit forums.elationlighting.com with questions, comments, or suggestions.

ELATION SERVICE USA - Monday - Friday 8:00am to 4:30pm PST

323-582-3322 | Fax 323-832-9142 | sales@magmaticeffects.com

ELATION SERVICE EUROPE - Monday - Friday 08:30 to 17:00 CET

Voice: +31 45 546 85 63 | Fax: +31 45 546 85 96 | support@elationlighting.eu

REPLACEMENT PARTS: Please visit parts.elationlighting.com



IMPORTANT NOTICE!

THERE ARE NO USER SERVICEABLE PARTS INSIDE THIS UNIT. DO NOT ATTEMPT ANY REPAIRS YOURSELF. DOING SO WILL VOID YOUR MANUFACTURER'S WARRANTY. DAMAGES RESULTING FROM MODIFICATIONS TO THIS FIXTURE AND/OR THE DISREGARD OF SAFETY INSTRUCTIONS AND GUIDELINES IN THIS MANUAL VOID THE MANUFACTURER'S WARRANTY AND ARE NOT SUBJECT TO ANY WARRANTY CLAIMS AND/OR REPAIRS.

LIMITED WARRANTY (USA ONLY)

A. Magmatic Effects hereby warrants, to the original purchaser, Magmatic products to be free of manufacturing defects in material and workmanship for a period of two years (730 days) from the original date of purchase. This warranty excludes discharge lamps and all product accessories. This warranty shall be valid only if the product is purchased within the United States of America, including possessions and territories. It is the owner's responsibility to establish the date and place of purchase by acceptable evidence, at the time service is sought.

B. For warranty service, send the product only to the Magmatic Effects factory. All shipping charges must be pre-paid. If the requested repairs or service (including parts replacement) are within the terms of this warranty, Magmatic Effects will pay return shipping charges only to a designated point within the United States. If any product is sent, it must be shipped in its original package and packaging material. No accessories should be shipped with the product. If any accessories are shipped with the product, Magmatic Effects shall have no liability what so ever for loss and/or or damage to any such accessories, nor for the safe return thereof.

C. This warranty is void if the product serial number and/or labels are altered or removed; if the product is modified in any manner which Magmatic Effects concludes, after inspection, affects the reliability of the product; if the product has been repaired or serviced by anyone other than the Magmatic Effects factory unless prior written authorization was issued to purchaser by Magmatic Effects; if the product is damaged because not properly maintained as set forth in the product instructions, guidelines and/or user manual.

D. This is not a service contract, and this warranty does not include any maintenance, cleaning or periodic check-up. During the periods as specified above, Magmatic Effects will replace defective parts at its expense, and will absorb all expenses for warranty service and repair labor by reason of defects in material or workmanship. The sole responsibility of Magmatic Effects under this warranty shall be limited to the repair of the product, or replacement thereof, including parts, at the sole discretion of Magmatic Effects. All products covered by this warranty were manufactured after January 1, 1990, and bear identifying marks to that effect.

E. Magmatic Effects reserves the right to make changes in design and/or performance improvements upon its products without any obligation to include these changes in any products theretofore manufactured.

F. No warranty, whether expressed or implied, is given or made with respect to any accessory supplied with the products described above. Except to the extent prohibited by applicable law, all implied warranties made by Magmatic Effects in connection with this product, including warranties of merchantability or fitness, are limited in duration to the warranty periods set forth above. And no warranties, whether expressed or implied, including warranties of merchantability or fitness, shall apply to this product after said periods have expired. The consumer's and/or dealer's sole remedy shall be such repair or replacement as is expressly provided above; and under no circumstances shall Magmatic Effects be liable for any loss and/or damage, direct and/or consequential, arising out of the use of, and/or the inability to use, this product.

G. This warranty is the only written warranty applicable to Magmatic Effects products and supersedes all prior warranties and written descriptions of warranty terms and conditions heretofore published.

WARRANTY RETURNS (USA ONLY)

To obtain warranty service, a Return Material Authorization (RMA) number must first be obtained from MAGMATIC. It is the Customer's responsibility to provide product proof of purchase and serial number by acceptable evidence such as an invoice copy or an approved MAGMATIC Extended Warranty Certificate ("EWC") and any relevant maintenance records at the time warranty service is sought. Failure to provide acceptable evidence of product proof of purchase or EWC and any relevant maintenance records may be cause for denial of warranty service.

Products returned for warranty service must be sent without any accessories (i.e., power, data, and safety cables, brackets, clamps, rigging hardware, frost filters, gel frames, barn doors, lenses, hoses, nozzles, rack mounting hardware, etc.), must be boxed using the original and/or suitable packaging materials (double-box and foam) that provides ample product protection for ground and/or air freight transit, and must be shipped freight pre-paid and insured to MAGMATIC in Los Angeles, CA or a MAGMATIC Authorized Service Center. The RMA number must be clearly written on the outside of the return box, and a brief description of the problem and the RMA number must be documented and included in the box.

Products returned for warranty service without an RMA number clearly marked on the outside of the package will be refused and returned to the shipper at the Customer's expense. Products returned for warranty service, which are received damaged due to inadequate and/or improper packaging and/or due to damage caused by the shipping carrier, may incur additional repair charges before warranty service begins and/or may void this warranty. If any product accessories (included and/or optional) are shipped with the product, MAGMATIC and/or the MAGMATIC Authorized Service Center shall have no liability what so ever for the loss and/or damage to any such accessories, nor the safe return thereof. If the requested warranty repairs or service (including parts replacement) are within the terms of this warranty, MAGMATIC will pay return ground transportation shipping charges to a single designated point within the United States.

SAFETY GUIDELINES

This fixture is a sophisticated piece of electronic equipment. To guarantee smooth operation, it is important to follow all instructions and guidelines in this manual. Magmatic Effects is not responsible for injury and/or damages resulting from the misuse of this fixture due to the disregard of the information printed in this manual. Only qualified and/or certified personnel should perform installation of this fixture and only the original parts included with this fixture should be used for installation. Any modifications to the fixture and/or the included mounting hardware will void the original manufacturer's warranty and increase the risk of damage and/or personal injury.



PROTECTION CLASS 1 - FIXTURE MUST BE PROPERLY GROUNDED.



THERE ARE NO USER SERVICEABLE PARTS INSIDE THIS UNIT. DO NOT ATTEMPT ANY REPAIRS YOURSELF. DOING SO WILL VOID YOUR MANUFACTURER'S WARRANTY. DAMAGES RESULTING FROM MODIFICATIONS TO THIS DEVICE AND/OR THE DISREGARD OF SAFETY INSTRUCTIONS AND GUIDELINES IN THIS MANUAL VOID THE MANUFACTURER'S WARRANTY AND ARE NOT SUBJECT TO ANY WARRANTY CLAIMS AND/OR REPAIRS.



**DO NOT PLUG THIS UNIT INTO A DIMMER PACK
DO NOT REMOVE THE COVER UNDER ANY CONDITIONS
KEEP UNIT IN AN UPRIGHT POSITION
NEVER OPERATE THIS UNIT WITH THE COVER REMOVED
UNPLUG FROM POWER DURING LONG PERIODS OF NON-USE
ENSURE TANK IS EMPTY BEFORE STORAGE OR TRANSPORT
DO NOT MOVE WHEN FILLED WITH FLUID
DISCONNECT POWER BEFORE ADDING FLUID OR PERFORMING MAINTENANCE**



THIS UNIT MUST OPERATE ON A DUTY CYCLE OF 10 MINUTE INTERVALS (10 MINUTES ON, 10 MINUTES OFF). IF THIS UNIT IS LEFT ON INDEFINITELY, IT WILL OVERHEAT AND AUTOMATICALLY SHUT OFF. THE UNIT WILL NOT OPERATE UNTIL IT HAS COOLED DOWN FOR A MINIMUM OF 10 MINUTES.



**FOR USE IN INDOOR / DRY LOCATIONS ONLY
DO NOT EXPOSE DEVICE TO RAIN AND/OR MOISTURE
PLACE UNIT IN A WELL VENTILATED AREA
ALLOW 40" (100CM) ABOVE AND AROUND THE UNIT FOR PROPER VENTILATION.**



IP20 RATED: AN IP20 RATED DEVICE, SUCH AS THIS ONE, HAS BEEN DESIGNED AND TESTED TO PROTECT AGAINST THE INGRESS OF SOLIDS THE SIZE OF AN ADULT FINGER (2). **THIS FIXTURE OFFERS NO PROTECTION OF ANY KIND AGAINST THE INGRESS OF LIQUID (0).**

SAFETY GUIDELINES

IMPORTANT SAFETY INSTRUCTIONS. READ THESE INSTRUCTIONS THOROUGHLY BEFORE USE, AND SAVE THEM FOR FUTURE REFERENCE.

CAUTION:

- Risk of burn, fire, or electric shock.
- For indoor use only.
- Please read the instruction manual carefully before use.
- Do not immerse in liquid.
- Not for space heating use.

WARNING: To prevent risk of personal injury, fire, and electric shock:

- Never leave unit unattended while plugged in. Unplug device when not in use.
- Read all important safety instructions and cautions before attempting to use.
- Connect only to a properly grounded power outlet.
- Place product on a flat, level, HARD surface and connect the cord to prevent the product from tipping or overturning.
- For use in covered areas only! Keep unit dry, and do not expose to rain, moisture, or liquid immersion.
- Leave enough space for adequate ventilation. Keep the device cool and away from other objects.
- Do not operate the device without fog liquid in the reservoir.
- Use caution when filling the fluid reservoir in order to avoid spillage, as spilled liquid can result in electrical shock.
- Do not use if liquid spills into or onto the unit, and allow the device to dry completely before attempting usage.
- Do not overfill the fluid reservoir.
- Keep away from flames and flammable or explosive substances.
- Never pour flammable liquids, such as gas, perfume, etc, into the fog machine.
- Keep the device and fog fluid out of reach of children.
- Use only under adult supervision.
- Do not direct fog output in the direction of people or open flame.
- Stay at least 20 inches (50cm) from the output nozzle on the front of the unit.
- Do not obstruct the output nozzle.
- Do not open the unit for any reason. There are no user serviceable parts inside, and all maintenance and repair procedures should be referred to an authorized vendor or technician.
- Only a certified electrician may replace the power cord.
- Clean the unit prior to storage to avoid damage.

POWER SUPPLY CORD:

- A short power supply cord (or short detachable power-supply cord) is provided to reduce the risk of a person becoming entangled in or tripping over the cord.
- Extension cords (or long detachable power-supply cords) are available and may be used as long as care is exercised during use.
- If an extension cord (or long detachable power-supply cord) is used, follow the guidelines below:
 1. The indicated electrical rating of the cord should be meet or exceed the rating of the device.
 2. If the device is of the grounded type, the cord must use a grounding type 3-wire cord.
 3. The cord should be routed in such a way as not to cause a tripping hazard or result in unintentional snagging or pulling of the cord, especially in the presence of children.

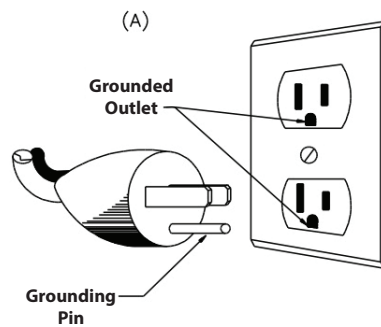
SAFETY GUIDELINES

This product must be grounded. In the event of an electrical short circuit, grounding reduces the risk of electric shock by providing an escape wire for the electric current. This product is equipped with a cord having a grounding wire with an appropriate grounding plug. The plug must be plugged into an outlet that is properly installed and grounded in accordance with all local codes and ordinances.

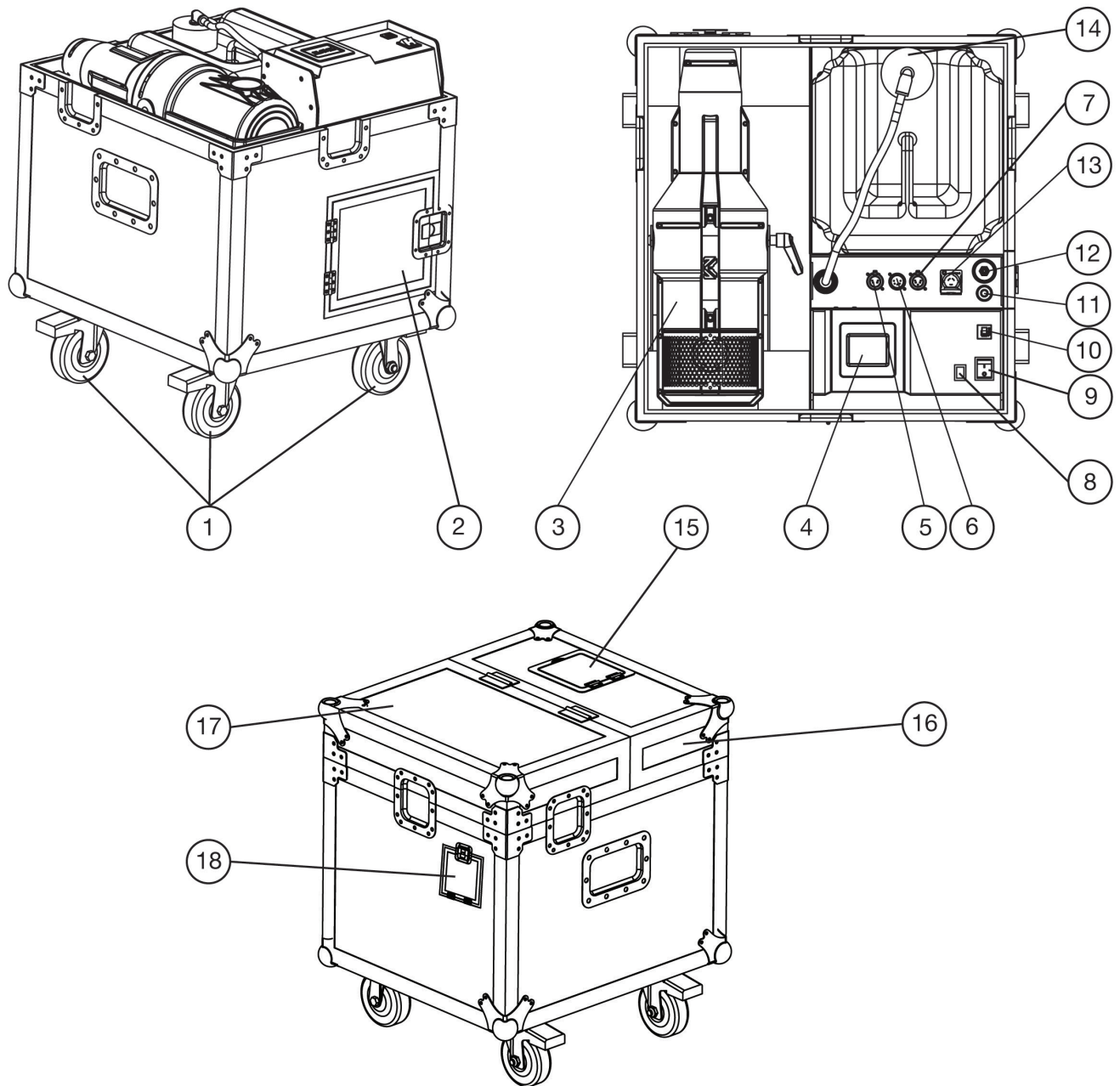
WARNING - Improper installation of the grounding plug is able to result in a risk of electric shock. When repair or replacement of the cord or plug is required, do not connect the grounding wire to either flat blade terminal. The wire with insulation having an outer surface that is green with or without yellow stripes is the grounding wire.

Check with a qualified electrician or serviceman when the grounding instructions are not completely understood, or when in doubt as to whether the product is properly grounded. Do not modify the plug provided; if it does not fit the outlet, have the proper outlet installed by a qualified electrician.

This product is for use on a nominal 120-V circuit and has a grounding plug similar to the plug illustrated in sketch A in the figure below. Only connect the product to an outlet having the same configuration as the plug. Do not use an adapter with this product.



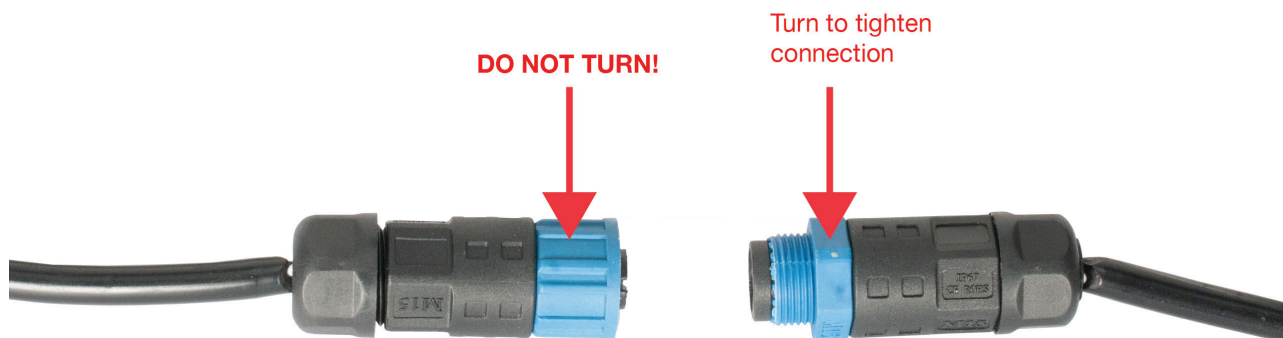
OVERVIEW



- | | |
|---------------------------|-----------------------------------|
| 1. Casters w/ Brakes (x4) | 10. Breaker |
| 2. Storage Compartment | 11. Snow Cannon Cable Connection |
| 3. Removable Snow Cannon | 12. Snow Cannon Fluid Connection |
| 4. Touch Screen Display | 13. Power In |
| 5. Wired Remote Port | 14. Tank Filler Cap |
| 6. DMX In | 15. Touch Screen Hatch |
| 7. DMX Out | 16. Control/Connection Access Lid |
| 8. Snow On/Off | 17. Tank Filler Access Lid |
| 9. Power Switch | 18. Snow Output Hatch |

OPERATION

1. Open the shipping carton and carefully remove the device.
2. Be sure to remove ALL the packing material, paying particular attention to the area around the fog outlet vent. Set the device on a flat dry surface.
3. **Make sure that the unit is disconnected from power and the wheels are locked.**
4. Release the three (3) latches on the tank filler access lid, and open the lid. Be careful of the lid hinges and latches so as to avoid pinching your hands or fingers.
5. Unscrew the tank filler cap and fill the tank. **Use only Atmosity Premium Snow Fluid (APS-2L, APS-4L, APS-20L, APS-200L) as specified by the manufacturer. Use of other, non-approved fluids could severely damage your device.**
6. Screw the tank cap back on and close and latch the tank filler access lid.
7. Connect the cable connection and the fluid connection on the connector panel to the matching connectors on the removable snow cannon, using the included 10-m hose and extension cable if needed. **NOTE: When securing the cable connections together, make sure to do so only by turning the thinner nut on the connector containing the MALE PINS! Twisting the connector containing the female pins may cause damage to the connector and expose the electrical components inside to the elements!**



8. Connect the device to power and use the touch screen display to operate the device as desired.
9. When powering this device down after use, the CLEANING icon will flash on the screen. Do NOT disconnect the device from power while the CLEANING icon is flashing. The device's self-clean cycle must be allowed to finish before power is disconnected. This process should only take about 12 seconds.

INSTALLATION GUIDELINES



FLAMMABLE MATERIAL WARNING

Keep fixture minimum 5.0 feet (1.5m) away from flammable materials and/or pyrotechnics.



ELECTRICAL CONNECTIONS

A qualified electrician should be used for all electrical connections and/or installations.



MAXIMUM AMBIENT TEMPERATURE 104° F (40°C)



DO NOT INSTALL THE FIXTURE IF YOU ARE NOT QUALIFIED TO DO SO!

Fixture **MUST** be installed following all local, national, and country commercial electrical and construction codes and regulations.

Before rigging/mounting a single fixture or multiple fixtures to any metal truss/structure or placing the fixture(s) on any surface, a professional equipment installer **MUST** be consulted to determine if the metal truss/structure or surface is properly certified to safely hold the combined weight of the fixture(s), clamps, cables, and accessories.

Fixture(s) should be installed away from walking paths, seating areas, or areas where unauthorized personnel might reach the fixture by hand.

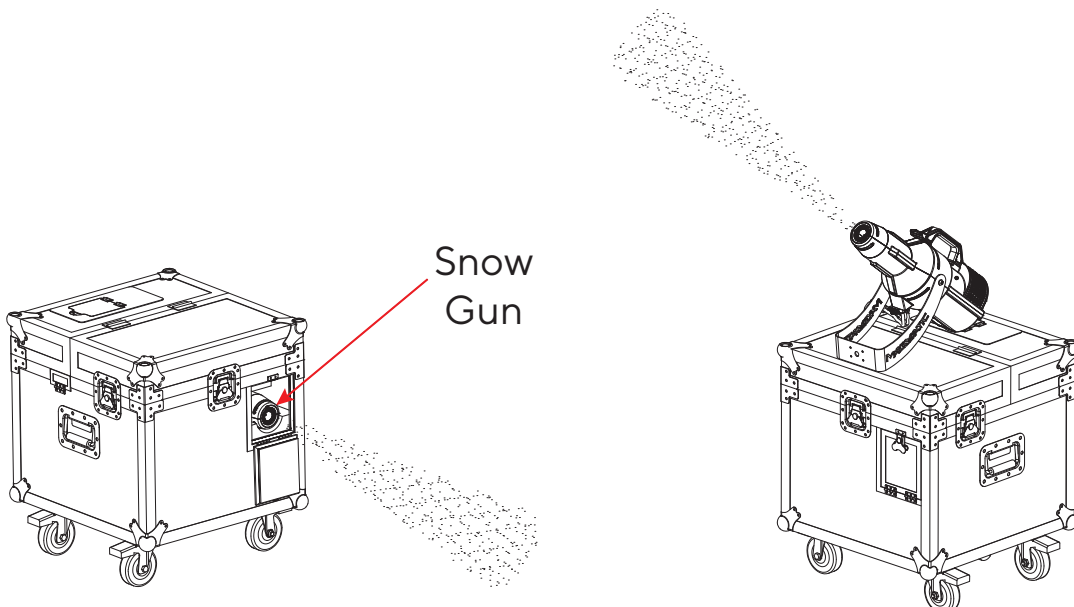
NEVER stand directly below the fixture(s) when rigging, removing, or servicing.

Overhead fixture installation must always be secured with a secondary safety attachment, such as an appropriately rated safety cable.

Allow approximately 15 minutes for the fixture to cool down before servicing.

INTERNAL CASE MOUNTING / FLAT SURFACE MOUNTING

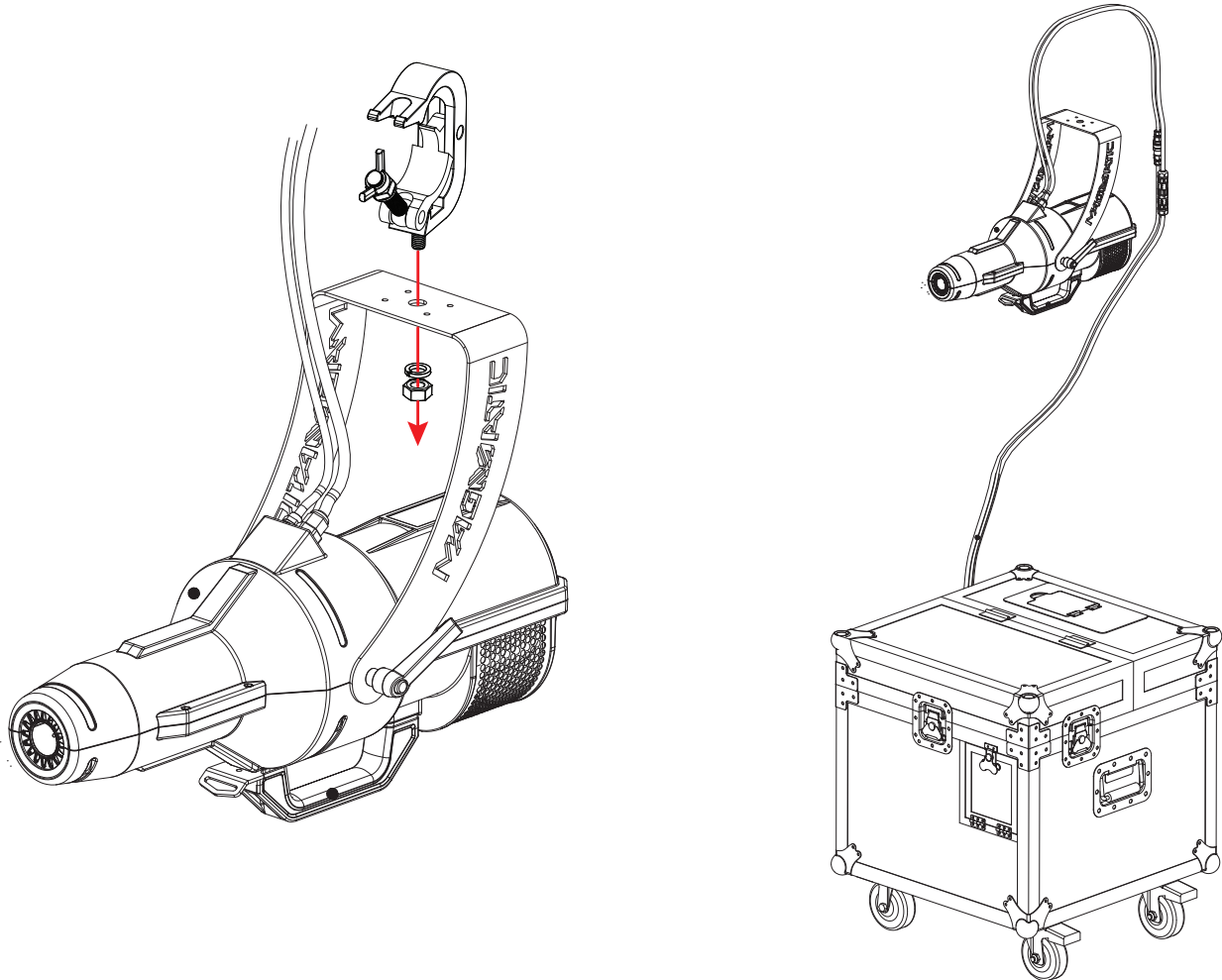
This device can be operated with the snow gun mounted inside the case, with the nozzle spraying snow through a portal in the side of the case (below left), or the snow gun can be fitted with a bracket and mounted on any flat, stable surface, including the top of the case (below right).



INSTALLATION GUIDELINES

CLAMP MOUNTING

This snow gun bracket features an attachment point for mounting clamp (see the illustration below). When mounting the snow gun to a truss or any other suspended or overhead installation, insert an appropriately rated bolt through the mounting clamp and the bracket, then secure together with a washer and nut. Loop a separate SAFETY CABLE around the bracket and attached the cable to a separate, secure anchoring point. The case should be placed close by in order to avoid stretching or damaging the fluid line.



ALWAYS ATTACH A SAFETY CABLE WHENEVER INSTALLING THIS FIXTURE IN A SUSPENDED ENVIRONMENT TO ENSURE THAT THE FIXTURE WILL NOT FALL IF THE CLAMP FAILS.

RIGGING

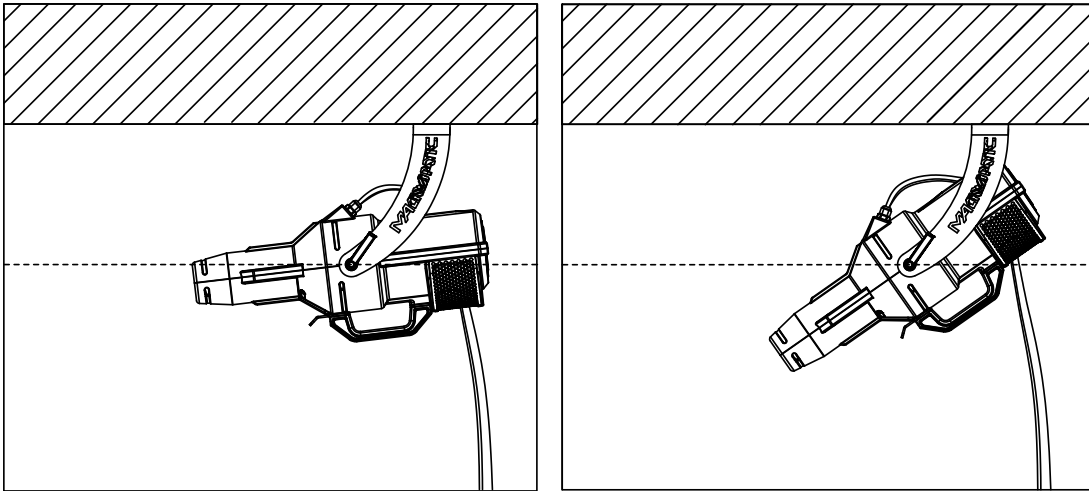
Overhead rigging requires extensive experience, including but not limited to: calculating working load limits, understanding the installation material being used, and periodic safety inspection of all installation material and the fixture itself. If you lack these qualifications, do not attempt to perform the installation yourself. Improper installation can result in bodily injury.

INSTALLATION GUIDELINES

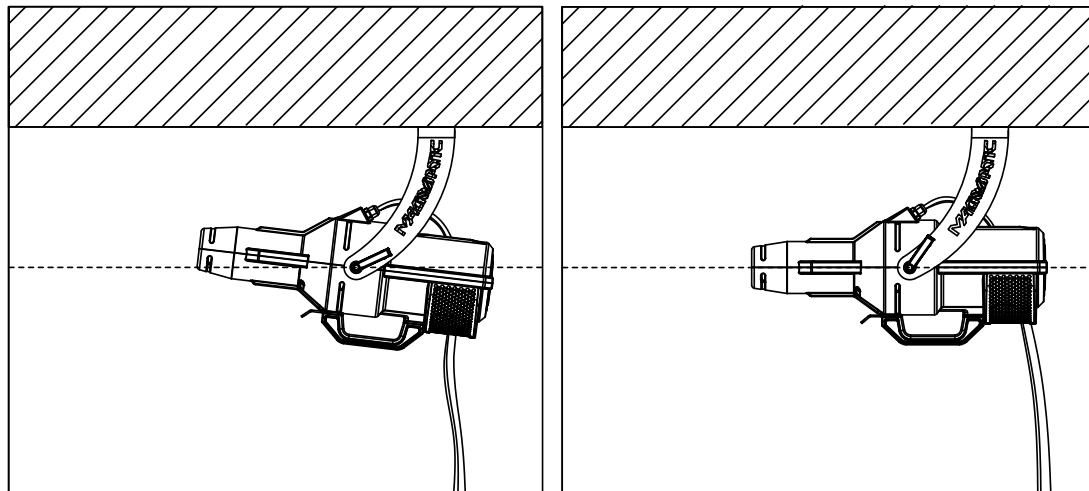
CLAMP MOUNTING

When mounting the snow gun in an elevated setting, the snow gun should always be positioned such that the nozzle is aimed below the horizontal. **DO NOT position the snow gun with the nozzle at or above the horizontal!** This precaution is taken to avoid the risk of water or other fluids dripping off the mounting surface or beam and into the nozzle. Keep in mind that this device is intended for indoor use only! Please refer to the diagrams below:

ACCEPTABLE SNOW GUN POSITIONS



UNACCEPTABLE SNOW GUN POSITIONS



REMOTE CONTROL

This unit can be operated using the **MagRemote VIDI** remote control, which is a 4-pin, wired remote that can be used to control the volume, intensity, duration, and interval. Please note that the MagRemote VIDI is a universal remote, and some remote functions may not be applicable to all units.

To operate the device using this remote, simply connect the remote's 4-pin male connector to the matching 4-pin female port on the back of the unit, which is labeled "Remote In." The unit will automatically recognize whether or not the remote has been connected. Available functions are listed below:

Manual Button - Unit outputs when button is pressed, and stops when the button is released. LED illuminates when unit is outputting.

Continuous Button - Unit outputs when button is pressed the first time, and continues to output until the button is pressed again. LED illuminates when unit is outputting.

Timer On/Off Button - Activates or deactivates the timer function. The timer function is adjustable through the interval and duration knobs. LED illuminates when function is activated.

Volume Knob - Adjust the amount of snow output.

Intensity Knob - Adjust the fan speed.

Interval Knob - Adjust the length of time that the unit will take before it begins to output snow.

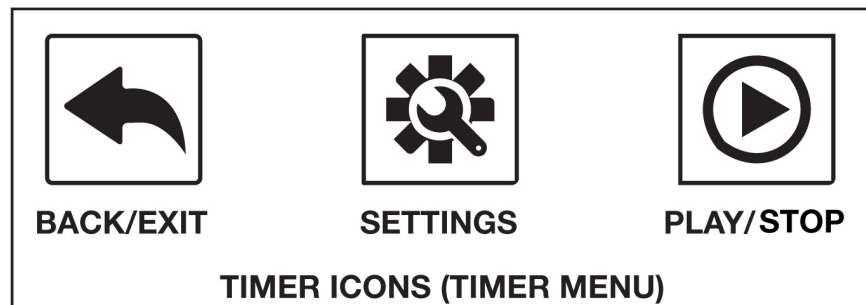
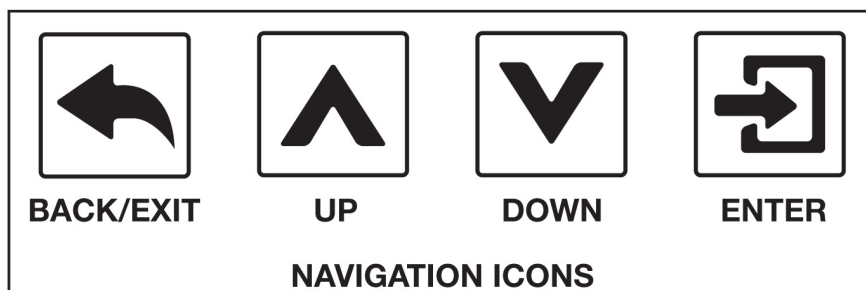
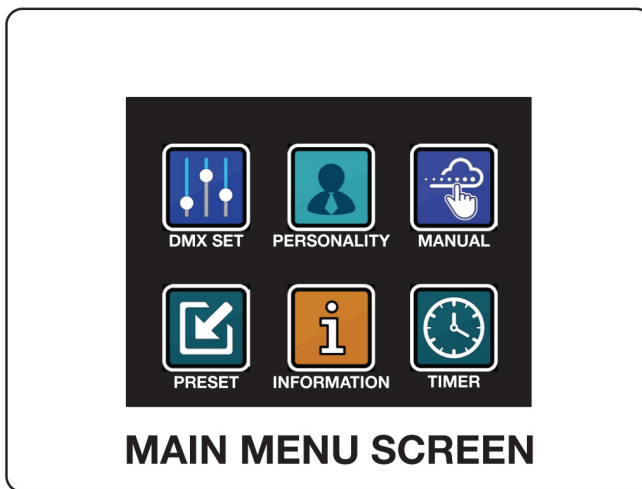
Duration Knob - Adjust the length of time that the unit will produce snow once it reaches the current interval time.









CONTROL PANEL

This fixture includes a system menu with an easy to navigate touch screen control panel where all necessary settings and adjustments are made. When first powering on the fixture, the fixture's main menu will be displayed (**see Main Menu Screen below**).



Press the main menu icon you would like to access. Use the **ENTER** button to access sub menus and use the **UP** and **DOWN** buttons to make adjustments. Press the **ENTER** button to confirm your adjustments. You may exit the main menu at any time without making any adjustments by pressing the **BACK/EXIT** button.









SYSTEM MENU

	DMX SETUP	DMX Addr	001 - 512	DMX Addressing	
		DMX Mode	1 CH	DMX Channel Mode Selection	
			3 CH		
5 CH					
	PERSONALITY	MagApp Set	MagApp Name	0-XXXX	Displays Wifi Name
			MagApp Passcode	0000000 - 00009999	Wifi Password
			MagApp IP	0-255.0 ~ 255.0 ~ 255.0 ~ 255	Displays Wifi IP
			MagApp Port	0-65535	Network Port
			MagApp Reset	Complete	Network Connection Reset
				Failed, try again	
		MagApp->DMX & Magfly	On / Off	Magfly Transmit On	
		LCD Set	Screen OFF: Never/10s/40s/1min/2min/5min/ 10min/20min	Display Blackout Time	
		Magfly Set	Magfly Channel: 0-14	Magfly Channel Setting	
			Magfly: On / Off	Magfly Activation	
		No Fluid	On / Off	Activate/Deactive No Fluid Warning	
		MagRF Learn	Will notify whether MagRF connection is successful after 20s		
		Last State	Yes / No	Activate/Deactive Last State	
Default	Press 'ENTER'	Restore Factory Settings			
	MANUAL	 Snow	1% - 100%	Manual Control	
		 Fan	50% - 100%		
	TIMER	Snow Output	1% - 100%	Snow Output Setting	
		Fan Speed	50% - 100%	Fan Speed Setting	
		Interval	0-2500s	Interval Setting	
		Duration	0-250s	Duration Setting	
CONTINUED ON NEXT PAGE					

SYSTEM MENU

	PRESET	Preset 1 - 10 min duration - 3 min interval - 100% snow - 100% fan		Preset Settings 1 (Not Adjustable)
		Preset 2 - 5 min duration - 2 min interval - 50% snow - 100% fan		Preset Settings 2 (Not Adjustable)
		Preset 3 - 3 min duration - 1 min interval - 30% snow - 100% fan		Preset Settings 3 (Not Adjustable)
		Preset 4 - 5 min duration - 2 min interval - 10% snow - 100% fan		Preset Settings 4 (Not Adjustable)
		Preset 5 - 3 min duration - 1 min interval - 10% snow - 100% fan		Preset Settings 5 (Not Adjustable)
	INFORMATION	State	Normal / Error	Machine Status
		Slot 1	Null / Magfly / MagApp / MagRF	Slot 1 Status
		Slot 2	Null / Magfly / MagApp / MagRF	Slot 2 Status
		Last Control	LCD_auto / LCD_manual / DMX / MagApp / MagRF / MagRemote / Error	Current Control Status
		MagRemote Status	Yes / No	Remote Control Status
		MagApp Connect	Null / Phone / Route / No	Wifi Connection Status
		MagApp IP	No / 0~255, 0~255, 0~255, 0~255	Current Wifi IP Status
		Magfly CH	0-14	Current Magfly Channel Setting
		DMX Addr	1-512	Current DMX Address Setting
		DMX Mode	1 / 3 / 5	Current DMX Ch. Mode Setting
		Timer Output	1% - 100%	Current Timer Output Setting
		Timer Blower	50% / 100%	Current Timer Fan Setting
		Timer Int.	0s - 2500s	Current Timer Interval Setting
		Timer Dur.	0s - 250s	Current Timer Duration Setting
		No Fluid	Normal / Empty	Current Fluid Tank Status
		LCD Ver	V1.5	Current LCD Version
		Sftwr Ver	V1.2	Current Software Version

MESSAGE ICONS

Icon	Description
	Icon appears when MagFly module is connected. 4-bar symbol on the right indicates signal strength, with 0 bars being weakest and 4 bars being strongest.
	Icon appears when MagApp module is connected. 4-bar symbol on the right indicates signal strength, with 0 bars being weakest and 4 bars being strongest.
	Icon appears when MagRF module is connected. Note that the icon will only appear if an RF signal exists.
	Icon appears when MagRemote is connected.
	Icon indicates that the fluid tank is empty, and disappears when fluid is added to the tank.
	Icon appears and flashes during the duration of the 12-second self-cleaning operation.*

***NOTE: WHEN POWERING DOWN THE DEVICE, THE CLEANING ICON WILL FLASH ON THE SCREEN. DO NOT DISCONNECT THE POWER CORD UNTIL THE CLEANING ICON STOPS FLASHING. THE DEVICE MUST BE ALLOWED TO COMPLETE THE SELF-CLEANING PROCEDURE BEFORE POWER IS DISCONNECTED.**

DMX CHANNEL FUNCTIONS & VALUES

CHANNEL			DMX VALUES	FUNCTION
1CH	3CH	5CH		
1				Volume
			000 - 005	Off
			006 - 255	1% - 100%
	1	1		On/Off
			000 - 005	Off
			006 - 255	On
	2	2	000 - 255	Volume 1% - 100%
	3	3		Fan
			000 - 127	50%
			128 - 255	100%
		4		Duration
			000 - 005	0s
			006 - 255	1s - 250s
		5		Interval
			000 - 005	0s
			006 - 255	10s - 2500s

REMOTE DEVICE MANAGEMENT (RDM)

NOTE: In order for RDM to work properly, RDM enabled equipment must be used throughout the entire system, including DMX data splitters and wireless systems.

Remote Device Management (RDM) is a protocol that sits on top of the DMX512 data standard for lighting, and allows the DMX systems of the fixtures to be modified and monitored remotely. This protocol is ideal for instances in which a unit is installed in a location that is not easily accessible.

With RDM, the DMX512 system becomes bi-directional, allowing a compatible RDM enabled controller to send out a signal to devices on the wire, as well as allowing the fixture to respond (known as a GET command). The controller can then use its SET command to modify settings that would typically have to be changed or viewed directly via the unit’s display screen, including the DMX Address, DMX Channel Mode, and Temperature Sensors.

FIXTURE RDM INFORMATION:

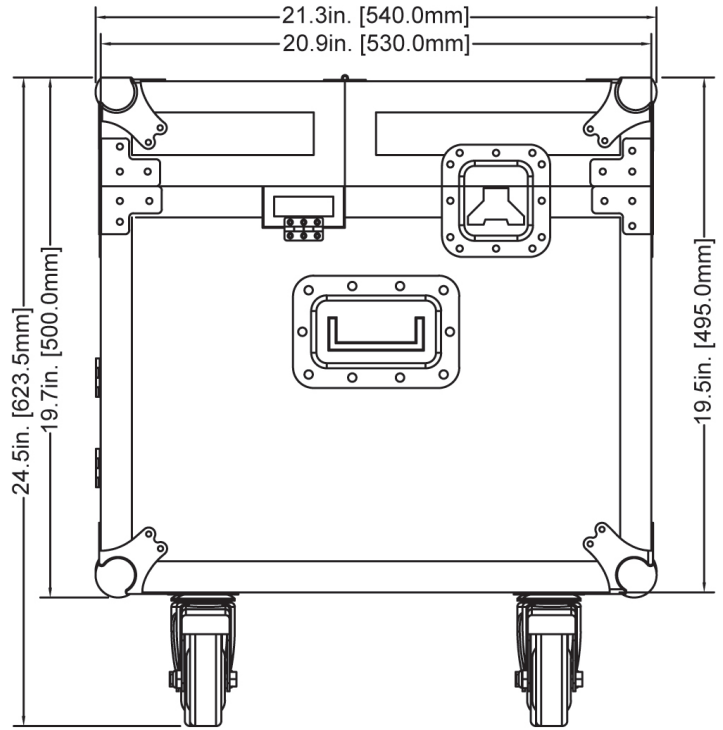
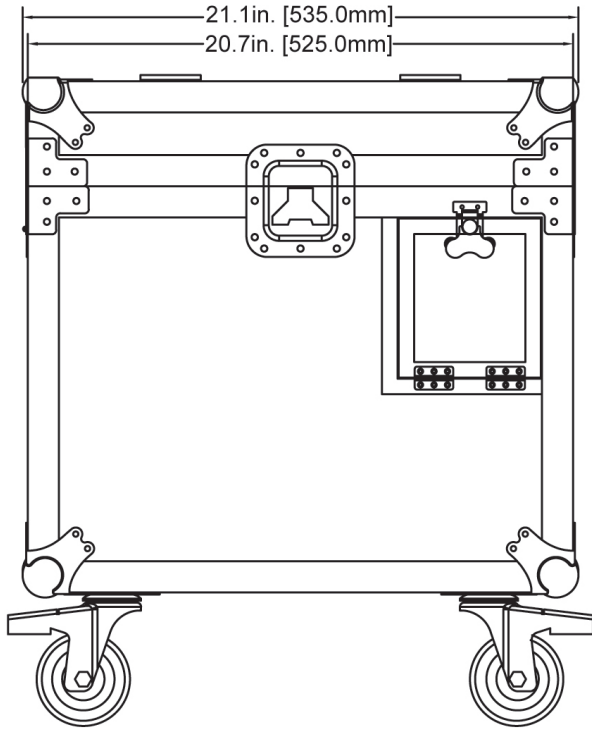
Device ID	Device Model ID	RDM Code	Personality ID
OPEN	3120	22A6H	1 (1) 3 (2) 5 (3)

Please be aware that not all RDM devices support all RDM features, and therefore it is important to check beforehand to ensure that the equipment that you are considering includes all of the features that you require.

The following parameters are accessible in RDM on this device:

[0x1000] IDENTIFY_DEVICE
[0x00F0] DMX_START_ADDRESS
[0x00C0] SOFTWARE_VERSION_LABEL
[0x0060] DEVICE_INFO
[0x0080] DEVICE_MODEL_DESCRIPTION
[0x0081] MANUFACTURER_LABEL
[0x0082] DEVICE_LABEL
[0x0050] SUPPORTED_PARAMETERS
[0x00E1] DMX_PERSONALITY_DESCRIPTION
[0x00E0] DMX_PERSONALITY
[0x0200] SENSOR_DEFINITION
[0x0201] SENSOR_VALUE

DIMENSIONAL DRAWINGS



Drawings are not to scale.

TROUBLE SHOOTING

If you experience low output, pump noise, or no snow output at all, disconnect and discontinue use immediately. Do not attempt to continue to operate as this may damage the machine. Check the fluid level, the breaker, and be sure the wall outlet is sending power. If all of the above appears to be okay, and the unit fails to operate correctly, the unit will require service. Please contact Magmatic Effects.

CLEANING & MAINTENANCE

STORAGE

When storing your snow machine be sure to store it in a cool area. Cover the machine so that dust does not build up on the unit. When storing the machine for long periods of time, it is highly advised to at least run the machine every 2-3 months. Long periods of inactivity can severely shorten the life of your machine.

SNOW FLUID

Only run Atmosity Premium Snow Fluid through your machine. NEVER run any other liquid solution through your machine. Running anything other than water based SNOW fluid will severely damage your machine.

SPECIFICATIONS

DYNAMIC EFFECTS:

Snow Adjustment: 1-100%
Fan Speed Adjustment: 50% or 100%
Auto Cleaning Feature

CONTROL:

2 Card Inputs for optional cards
RDM (Remote Device Management)
Control Protocol: DMX512
DMX Modes: 3 (1, 3 & 5 Channel)
On-Board Timing Control
5 Factory Presets
4-pin Wired Remote Input
Touch Screen Display
Manual Trigger via Touch Display

CONNECTIONS:

Data Connector: 5-pin XLR In / Out for DMX connections, 4-pin XLR for optional wired remote.
Locking Power Connector

CONSTRUCTION / PHYSICAL / PERFORMANCE

Dimensions: (LxWxH) 21.3 x 21.1 x 24.5in / 540 x 535 x 623.5mm
Weight: 77.17lbs / 35kg
Fluid Tank Capacity: 20L
Fluid Consumption: 16.9 fl. oz/min (500ml/min)

COMPATIBLE FLUID

Recommended Fluid: Atmosity Premium Snow Fluid. APS-1LC (Concentrate = 20L) , APS-4LC (Concentrate = 80L), APS-10LC (Concentrate = 200L), APS-4L, APS-20L

ELECTRICAL:

Power Consumption: 1250w
Input Voltage: 120V, 230V, 240V, 50 & 60Hz
Breaker Size: 15A (120V Version)
Breaker Size: 9A (230V Version)

CERTIFICATIONS / QUALIFICATIONS / THERMAL

IP Rating: IP20, dry location
Maximum Temperature (Ambient): 104°F (40°C)
Exterior Surface Temperature: 122°F (50°C)
CE / cETLus / UKCA

WHAT'S INCLUDED:

Flight Case
14AWG Locking Power Cable
Snow Canon
10-Meter Long Hose

OPTIONAL ACCESSORIES:

MagFLY Card
MagAPP Card (still in development)
MagRF Card
PSCM Hose-10M (PSC100)
PM-DMX1



FCC STATEMENT

This device complies with Part 15 of the FCC Rules. Operation is subject to the following two conditions: (1) this device may not cause harmful interference, and (2) this device must accept any interference received, including interference that may cause undesired operation.

FCC RADIO FREQUENCY INTERFERENCE WARNINGS & INSTRUCTIONS

This product has been tested and found to comply with the limits as per Part 15 of the FCC Rules. These limits are designed to provide reasonable protection against harmful interference in a residential installation. This device uses and can radiate radio frequency energy and, if not installed and used in accordance with the included instructions, may cause harmful interference to radio communications. However, there is no guarantee that interference will not occur in a particular installation. If this device does cause harmful interference to radio or television reception, which can be determined by turning the device off and on, the user is encouraged to try to correct the interference by one or more of the following methods:

- Reorient or relocate the device.
- Increase the separation between the device and the receiver.
- Connect the device to an electrical outlet on a circuit different from which the radio receiver is connected.
- Consult the dealer or an experienced radio/TV technician for help.

Europe Energy Saving Notice

Energy Saving Matters (EuP 2009/125/EC)

Saving electric energy is a key to help protecting the environment. Please turn off all electrical products when they are not in use. To avoid power consumption in idle mode, disconnect all electrical equipment from power when not in use. Thank you



