



ARENA ZOOM Q7IP

User Manual

©2023 ELATION PROFESSIONAL all rights reserved. Information, specifications, diagrams, images, and instructions herein are subject to change without notice. ELATION PROFESSIONAL logo and identifying product names and numbers herein are trademarks of ELATION PROFESSIONAL. Copyright protection claimed includes all forms and matters of copyrightable materials and information now allowed by statutory or judicial law or hereinafter granted. Product names used in this document may be trademarks or registered trademarks of their respective companies and are hereby acknowledged. All non-ELATION brands and product names are trademarks or registered trademarks of their respective companies.

ELATION PROFESSIONAL and all affiliated companies hereby disclaim any and all liabilities for property, equipment, building, and electrical damages, injuries to any persons, and direct or indirect economic loss associated with the use or reliance of any information contained within this document, and/or as a result of the improper, unsafe, insufficient and negligent assembly, installation, rigging, and operation of this product.

Elation Professional USA | 6122 S. Eastern Ave. | Los Angeles, CA. 90040
323-582-3322 | 323-832-9142 fax | www.elationlighting.com | info@elationlighting.com

Elation Professional B.V. | Junostraat 2 | 6468 EW Kerkrade, The Netherlands
+31 45 546 85 66 | +31 45 546 85 96 fax | www.elationlighting.eu | info@elationlighting.eu

Elation Professional Mexico
AV Santa Ana 30 | Parque Industrial Lerma, Lerma, Mexico 52000
+52 (728) 282-7070

DOCUMENT VERSION



Due to additional product features and/or enhancements, an updated version of this document may be available online. Please check www.elationlighting.com for the latest revision/update of this manual before beginning installation and/or programming.

Date	Document Version	Software Version	DMX Channels	Notes
10/18/2017	1	App: 1.1 Boot: 1.0	6/7/8/9/11/12 ch.	Initial release
02/02/2018	1.2	N/C	No Change	Updated format
03/05/2018	1.4	App: 1.2 Boot: 1.0	Zoom Channel Update	Added zoom disable/enable via DMX
03/25/2019	1.6	N/C	No Change	Updated System Menu - added blue sub menu to manual mode main menu
02/14/2023	1.8	1.5	No Change	Updated primary/secondary modes, Dimmer Curves, and Specifications; added IP65 Rated and Torque Setting for Screws

TABLE OF CONTENTS

Introduction	4
IP65 Rated	5
Limited Warranty (USA Only)	6
Safety Guidelines	7
Maintenance Guidelines	9
Torque Settings for Screws	10
Overview	12
Installation Guidelines	13
Remote Device Management (RDM)	16
System Menu	17
Dimmer Curve Modes	20
DMX Traits	21
Specifications	24
Dimensional Drawings Optional Accessories	25

INTRODUCTION

This fixture has been designed to perform reliably for years when the guidelines in this manual are followed. Please read and understand the instructions in this manual carefully and thoroughly before attempting to operate this device. These instructions contain important safety and use information. **This device is intended for use by trained personnel only, and is not suitable for private use.**

UNPACKING

Every device has been thoroughly tested and has been shipped in perfect operating condition. Carefully check the shipping carton for damage that may have occurred during shipping. If the carton is damaged, carefully inspect the device for damage, and be sure all accessories necessary to install and operate the device have arrived intact. In the event that damage has been found or parts are missing, please contact our customer support team for further instructions. Please do not return this device to your dealer without first contacting customer support. Please do not discard the shipping carton in the trash. Please recycle whenever possible.

BOX CONTENTS

Power Cable (x1)

CUSTOMER SUPPORT

Contact ELATION Service for any product related service and support needs. Also visit forums.elationlighting.com with questions, comments or suggestions.

ELATION SERVICE USA - Monday - Friday 8:00am to 4:30pm PST
323-582-3322 | Fax 323-832-9142 | support@elationlighting.com

ELATION SERVICE EUROPE - Monday - Friday 08:30 to 17:00 CET
+31 45 546 85 63 | Fax +31 45 546 85 96 | support@elationlighting.eu

REPLACEMENT PARTS - please visit parts.elationlighting.com

THERE ARE NO USER SERVICEABLE PARTS INSIDE THIS UNIT. DO NOT ATTEMPT ANY REPAIRS YOURSELF, AS DOING SO WILL VOID YOUR MANUFACTURER'S WARRANTY. DAMAGES RESULTING FROM MODIFICATIONS TO THIS FIXTURE AND/OR THE DISREGARD OF SAFETY AND GENERAL USER INSTRUCTIONS FOUND IN THIS USER MANUAL VOID THE MANUFACTURER'S WARRANTY AND ARE NOT SUBJECT TO ANY WARRANTY CLAIMS AND/OR REPAIRS.

IP65 RATED

The **International Protection (IP)** rating system is commonly expressed as “IP” (Ingress Protection) followed by two numbers (i.e. IP65), where the numbers define the degree of protection. The first digit (Foreign Bodies Protection) indicates the extent of protection against particles entering the fixture, and the second digit (Water Protection) indicates the extent of protection against water entering the fixture. An **IP65** rated lighting fixture is designed and tested to protect against the ingress of dust (6), and low-pressure water jets from any direction (5).

NOTE: THIS FIXTURE IS INTENDED FOR TEMPORARY OUTDOOR USE ONLY!

Maritime/Coastal Environment Installations: A coastal environment is seaside adjacent, and caustic to electronics through exposure to atomized salt-water and humidity, whereas maritime is anywhere within 5-miles of a coastal environment.



NOT suitable for maritime/coastal environment installations. Installing this fixture in a maritime/coastal environment may cause corrosion and/or excessive wear to the interior and/or exterior components of the fixture. Damages and/or performance issues resulting from installation in a maritime/coastal environment will void the manufactures warranty, and will NOT be subject to any warranty claims and/or repairs.

Maritime installations require additional preparation, and additional service intervals may be needed given the maritime use. In general, IP ratings presuppose freshwater conditions VS maritime conditions, which are typically more “caustic” to IP fixtures (both internally and externally). A duty-cycle may also be needed when units are not in use. During times of high humidity and colder temperatures, condensation may occur internally so the fixture may require a duty-cycle to bring it up to running temperature, allowing any accumulation of moisture to be expelled via the vent valve. Recommendations can change based on installation environmental circumstances. A waterproof dome or similar device is recommended for use in permanent outdoor installations. When using a dome, refer to manufacturer recommendations for duty-cycle.

NOTE: NOT ALL FEATURES LISTED ARE AVAILABLE ON ALL FIXTURES; THE FOLLOWING INSTRUCTIONS MAY NOT APPLY. CONTACT SUPPORT FOR ADDITIONAL DETAILS.

Exterior Maintenance: Inspect the exterior every 30-days. The unit must be powered off/disconnected. The chassis should be inspected for any signs of contaminants. Inspect optics to determine if the lens is obstructed, then clean optics and chassis accordingly. Based on initial finding, schedule maintenance accordingly, keeping in mind that exterior maintenance will be required. Even if the luminaires are NOT in use, maintenance will still be needed given its location (exterior use). The use of a durable type of wax on the chassis is recommended since it will help prevent contaminant build up. Inspect both power and data lines for any signs of contaminants or corrosion. Periodically reapplying di-electric grease, especially in coastal environments. If any signs of corrosion/contaminants are present, clean thoroughly, and/or replace connectors, then reapply di-electric grease. Typically, this should be done annually, or any time an opportunity presents itself. As a preventive measure, annual replacement of both vent valves is recommended. The vent valve membrane can become contaminated and/or clogged causing improper venting of humidity within the luminaire. Inspect all mounting hardware as a precaution.

Interior Maintenance: Inspect the interior every 30-days. The unit must be powered off/disconnected.

- Inspect zoom/focus mechanism, clean optics, lubricate linear bearings (Krytox oil) as needed, inspect belts for wear
- Inspect all rotating effect wheels, manually rotate them, note any resistance
- Inspect all remaining rotating belts for any wear
- Inspect all fans, clean as needed, check rotation, check connections
- Inspect CMY module, manually move flags and check for signs of resistance, and if needed, clean guide rods first, then reapply a thin layer of grease (moly lube)
- Clean interior with low-volume compressed air, then clean optics prior to reassembly of head covers

Although the base has limited moving parts, the pan belt should also be inspected for wear. Remember to always perform an IP test anytime a cover is removed.

There is no specific time frame regarding the routine replacement of parts such as belts/stepper motors, PCBs, or LEDs. These items should only be replaced on an as needed bases, except for cooling fans, which should be replaced once the luminaries reach 10,000-hours. This is a prophylactic measure intended to keep the unit running as cool as possible, insuring proper function of all internal components. A complete service breakdown is available, please contact service@elationlighting.com for any needed parts or manuals.

LIMITED WARRANTY (USA ONLY)

- A. Elation Professional hereby warrants, to the original purchaser, Elation Professional products to be free of manufacturing defects in material and workmanship for a period of two years (730 days), and Elation Professional product rechargeable batteries to be free of manufacturing defects in material and workmanship for a period of six months (180 days), from the original date of purchase. This warranty excludes discharge lamps and all product accessories. This warranty shall be valid only if the product is purchased within the United States of America, including possessions and territories. It is the owner's responsibility to establish the date and place of purchase by acceptable evidence, at the time service is sought.
- B. For warranty service, send the product only to the Elation Professional factory. All shipping charges must be pre-paid. If the requested repairs or service (including parts replacement) are within the terms of this warranty, Elation Professional will pay return shipping charges only to a designated point within the United States. If any product is sent, it must be shipped in its original package and packaging material. No accessories should be shipped with the product. If any accessories are shipped with the product, Elation Professional shall have no liability what so ever for loss and/or or damage to any such accessories, nor for the safe return thereof.
- C. This warranty is void if the product serial number and/or labels are altered or removed; if the product is modified in any manner which Elation Professional concludes, after inspection, affects the reliability of the product; if the product has been repaired or serviced by anyone other than the Elation Professional factory unless prior written authorization was issued to purchaser by Elation Professional; if the product is damaged because not properly maintained as set forth in the product instructions, guidelines and/or user manual.
- D. This is not a service contract, and this warranty does not include any maintenance, cleaning or periodic check-up. During the periods as specified above, Elation Professional will replace defective parts at its expense, and will absorb all expenses for warranty service and repair labor by reason of defects in material or workmanship. The sole responsibility of Elation Professional under this warranty shall be limited to the repair of the product, or replacement thereof, including parts, at the sole discretion of Elation Professional. All products covered by this warranty were manufactured after January 1, 1990, and bare identifying marks to that effect.
- E. Elation Professional reserves the right to make changes in design and/or performance improvements upon its products without any obligation to include these changes in any products theretofore manufactured.
- F. No warranty, whether expressed or implied, is given or made with respect to any accessory supplied with the products described above. Except to the extent prohibited by applicable law, all implied warranties made by Elation Professional in connection with this product, including warranties of merchantability or fitness, are limited in duration to the warranty periods set forth above. And no warranties, whether expressed or implied, including warranties of merchantability or fitness, shall apply to this product after said periods have expired. The consumer's and/or dealer's sole remedy shall be such repair or replacement as is expressly provided above; and under no circumstances shall Elation Professional be liable for any loss and/or damage, direct and/or consequential, arising out of the use of, and/or the inability to use, this product.
- G. This warranty is the only written warranty applicable to Elation Professional products and supersedes all prior warranties and written descriptions of warranty terms and conditions heretofore published.

WARRANTY RETURNS

All returned service items whether under warranty or not, must be freight pre-paid and accompanied by a return authorization (R.A.) number. The R.A. number must be clearly written on the outside of the return package. A brief description of the problem, as well as the R.A. number, must also be written down on a piece of paper and included in the shipping container. If the unit is under warranty, you must provide a copy of your proof of purchase invoice. Items returned without an R.A. number clearly marked on the out-side of the package will be refused and returned at customer's expense. You may obtain an R.A. number by contacting customer support.

SAFETY GUIDELINES

This fixture is a sophisticated piece of electronic equipment. To guarantee a smooth operation, it is important to follow all instructions and guidelines in this manual. Elation Professional is not responsible for injuries and/or damages resulting from the misuse of this fixture due to the disregard of the information printed in this manual. Only qualified and/or certified personnel should perform installation of this fixture and only the original rigging parts included with this fixture should be used for installation. Any modifications to the fixture and/or the included mounting hardware will void the original manufacturer's warranty and increase the risk of damage and/or personal injury



PROTECTION CLASS 1 - FIXTURE MUST BE PROPERLY GROUNDED.



THERE ARE NO USER SERVICEABLE PARTS INSIDE THIS UNIT. DO NOT ATTEMPT ANY REPAIRS YOURSELF, AS DOING SO WILL VOID YOUR MANUFACTURER'S WARRANTY. DAMAGES RESULTING FROM MODIFICATIONS TO THIS FIXTURE AND/OR THE DISREGARD OF SAFETY INSTRUCTIONS AND GUIDELINES IN THIS MANUAL VOID THE MANUFACTURER'S WARRANTY AND ARE NOT SUBJECT TO ANY WARRANTY CLAIMS AND/OR REPAIRS.

DO NOT CONNECT GOBO ROTATOR CABLE TO FIXTURE WHEN FIXTURE IS POWERED ON!



**DO NOT PLUG FIXTURE INTO A DIMMER PACK!
NEVER OPEN THIS FIXTURE WHILE IN USE!
UNPLUG POWER BEFORE SERVICING FIXTURE!
NEVER TOUCH FIXTURE DURING OPERATION, AS IT MAY BE HOT!
KEEP FLAMMABLE MATERIALS AWAY FROM FIXTURE!**



**NEVER LOOK DIRECTLY INTO THE LIGHT SOURCE!
RETINA INJURY RISK - MAY INDUCE BLINDNESS!
SENSITIVE PERSONS MAY SUFFER AN EPILEPTIC SHOCK!**



ENSURE ALL CONNECTIONS AND END CAPS ARE PROPERLY SEALED WITH A DIELECTRIC GREASE (AVAILABLE AT MOST ELECTRICAL SUPPLIERS) TO PREVENT WATER CORROSION AND/OR ELECTRICAL SHORT CIRCUIT.

SAFETY GUIDELINES

- DO NOT TOUCH the fixture housing during operation. Turn OFF the power and allow approximately 15 minutes for the fixture to cool down before servicing.
- DO NOT shake fixture, and avoid using brute force when installing and/or operating the fixture.
- DO NOT operate the fixture if the power cord is frayed, crimped, damaged, and/or if any of the power cord connectors are damaged and do not plug into the fixture securely with ease.
- NEVER force a power cord connector into the fixture. If the power cord or any of its connectors are damaged, replace it immediately with a new one of the same power rating.
- DO NOT block any air ventilation slots. All fan and air inlets must remain clean and never blocked.
- Leave approx. 6" (15cm) between the fixture and other devices or a wall in order to allow for proper cooling.
- When installing the fixture in a suspended environment, always use mounting hardware that is no less than M10 x 25mm, and always install the fixture with an appropriately rated safety cable.
- Always disconnect the fixture from the main power source before performing any type of service and/or cleaning procedure.
- Only handle the power cord by the plug end. Never pull out the plug by tugging on the wire portion of the cord.
- During the initial operation of this fixture, a light smoke or smell may emit from the interior of the fixture. This is a normal process and is caused by excess paint in the interior of the casing burning off from the heat associated with the lamp. This will decrease gradually over time.
- Consistent operational breaks will ensure fixture will function properly for many years.
- ONLY use the original packaging and materials to transport the fixture for service.

MAINTENANCE GUIDELINES



DISCONNECT POWER BEFORE PERFORMING ANY MAINTENANCE!

CLEANING

Frequent cleaning is recommended to ensure proper function, optimized light output, and an extended life. The frequency of cleaning depends on the environment in which the fixture operates: damp, smoky or particularly dirty environments can cause greater accumulation of dirt on the fixture's optics. Periodically clean the external lens surface with a soft cloth to avoid dirt/debris accumulation. **NEVER** use alcohol, solvents, or ammonia-based cleaners.

MAINTENANCE

Regular inspections are recommended to insure proper function and extended life. There are no user serviceable parts inside this fixture. Please refer all other service issues to an authorized Elation service technician. Should you need any spare parts, please order genuine parts from your local Elation dealer.

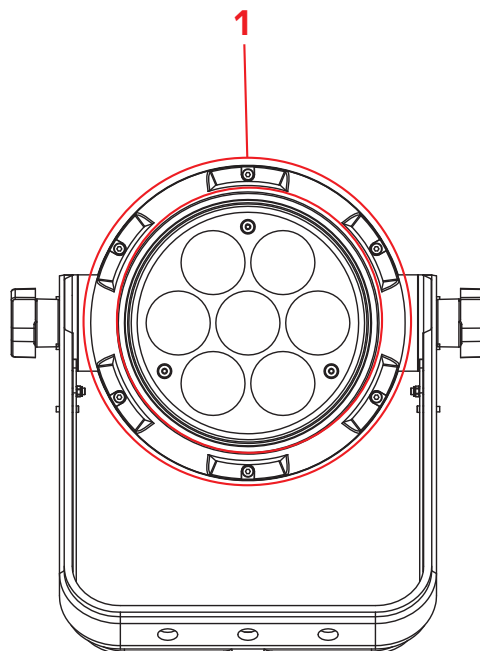
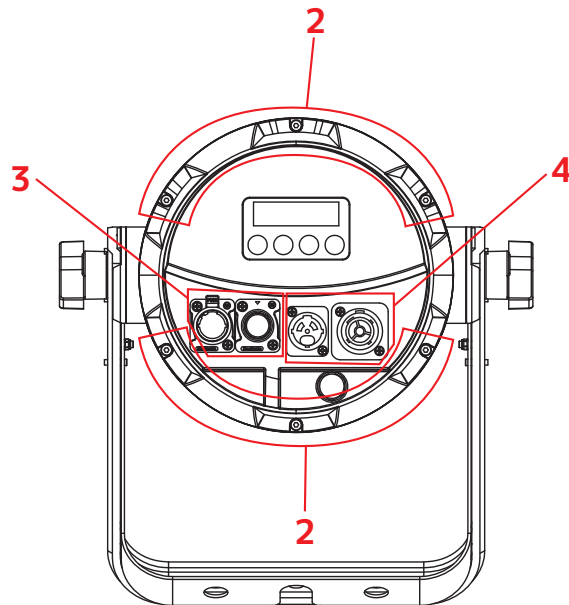
Please refer to the following points during routine inspections:

- A detailed electrical check by an approved electrical engineer every three months, to make sure the circuit contacts are in good condition and prevent overheating.
- Be sure all screws and fasteners are securely tightened at all times. Loose screws may fall out during normal operation, resulting in damage or injury as larger parts could fall.
- Check for any deformations on the housing, color lenses, rigging hardware, and rigging points (ceiling, suspension, trussing). Deformations in the housing could allow for dust to enter into the fixture. Damaged rigging points or unsecured rigging could cause the fixture to fall and seriously injure a person(s).
- Electric power supply cables must not show any damage, material fatigue or sediments. **NEVER** remove the ground prong from the power cable.

TORQUE SETTINGS FOR SCREWS

Please see below for screw locations, screw quantity and torque settings. The number listed in the “#” column corresponds to the location on the fixture.

1	Front Cover (x6)	6.9-9.5 lb-in / 8-11 kg-cm
2	Rear Cover (x6)	6.9-9.5 lb-in / 8-11 kg-cm
3	DMX Sockets (x3 per socket, x6 total)	6.5-8.7 lb-in / 7.5-10 kg-cm
4	Power Sockets (x2 per socket, x4 total)	6.5-8.7 lb-in / 7.5-10 kg-cm



TORQUE SETTINGS FOR SCREWS

A TORQUE DRIVER SHOULD BE USED TO SECURE ALL SCREWS ON THE FIXTURE!

TORQUE DRIVERS (Recommended): UTICA TS-30 (Shown)

ALTERNATIVE DRIVERS:

Proto J6107A

Wiha 28887



CAUTION! DO NOT OVER TORQUE SCREWS AS THIS CAN CAUSE LEAKAGE ISSUES! TO CONFIRM THE IP65 INTEGRITY AFTER REASSEMBLY, TEST THE FIXTURE USING THE ELATION IP TESTER. CONTACT ELATION SERVICE FOR MORE DETAILS.

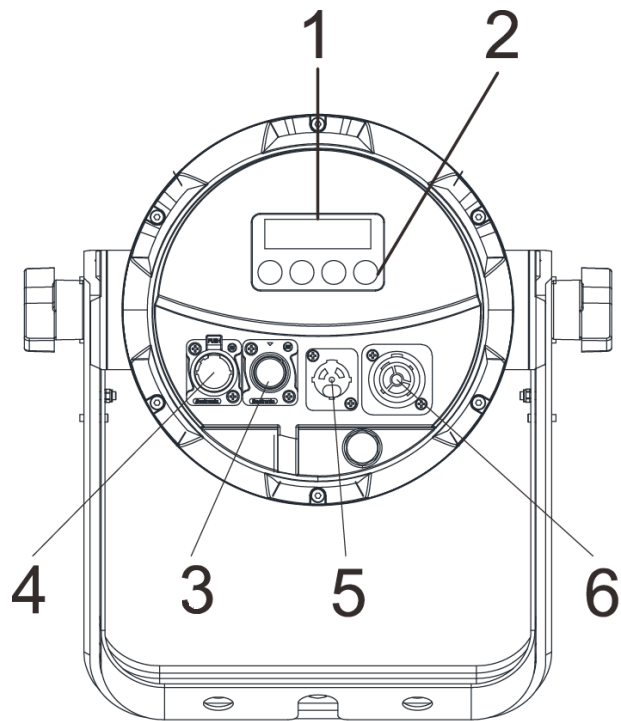


CAUTION! THE USE OF PROTECTIVE GLOVES AND SAFETY GOGGLES IS STRONGLY RECOMMENDED WHILE PERFORMING THE IP PRESSURE TEST! AVOID PLACING YOUR FACE, EYES, HANDS, ETC IN CLOSE PROXIMITY TO THE FIXTURE'S LENS WHILE PERFORMING THE TEST!



IP PRESSURE TESTING PARAMETERS			
Test Type	Target Value	Acceptable Change Due to Leakage	Hold Time
Vacuum	-7.3 psi / -50 KPa	0.7 psi / 4.5 KPa	60 sec
Pressure	1.9 psi / 13 KPa	0.7 psi / 4.5 KPa	60 sec

OVERVIEW



1. OLED Menu Control Display
2. Menu / Up / Down / Enter Buttons
3. IP Rated 5pin DMX In
4. IP Rated 5pin DMX Out
5. Power In
6. Power Out

INSTALLATION GUIDELINES



FLAMMABLE MATERIAL WARNING

Keep fixture minimum 7.5 inches (19cm) away from flammable materials and/or pyrotechnics.



ELECTRICAL CONNECTIONS

A qualified electrician should be used for all electrical connections and/or installations.



MINIMUM DISTANCE TO LIGHTED OBJECTS IS 1.6 FEET (0.5 METER).
MINIMUM DISTANCE TO FLAMMABLE MATERIALS IS 7.5 INCHES (19 CM).

DO NOT INSTALL THE FIXTURE IF YOU ARE NOT QUALIFIED TO DO SO!

- Fixture **MUST** be installed following all local, national, and country commercial electrical and construction codes and regulations.
- Before rigging/mounting the fixture to any metal truss/structure or placing the fixture on any surface, a professional equipment installer **MUST** be consulted to determine if the metal truss/structure or surface is properly certified to safely hold the combined weight of the fixture, clamps, cables, and accessories.
- Fixture ambient operating temperature range is **14° to 113°F. (-10° to 45°C)**. Do not use the fixture when ambient temperature falls outside of this range.
- Fixture should be installed outside of walking paths, seating areas, or areas within reach of the general public.
- **NEVER** stand directly below the fixture when rigging, removing or servicing.
- Overhead fixture installation must always be secured with a secondary safety attachment, such as an appropriately rated safety cable that can support at least 10 times the weight of the fixture. Allow approximately 15 minutes for the fixture to cool down before servicing or maintenance.

INSTALLATION GUIDELINES

POWER LINKING

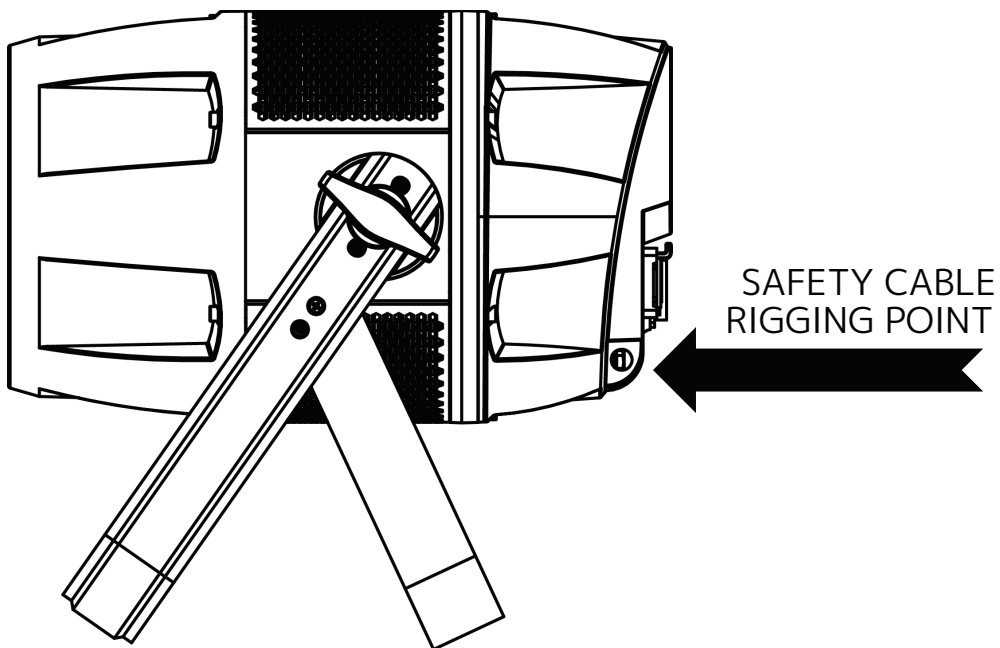
Max number of ARENA ZOOM Q7IP™ units power linked together:

- 6units @ 120V
- 12 units @ 240V

NOTE: Use caution when power linking fixtures of other make and model types, as the power consumption of other fixtures may exceed the maximum output of this Elation fixture.

CLAMP MOUNTING

This fixture includes an adjustable mounting yoke and safety cable rigging point attached to the fixture (see the illustration below). When mounting this fixture to truss, be sure to secure an appropriately rated clamp (not included) to the yoke using an M10 screw, and attach a SAFETY CABLE to the fixture safety cable rigging point.



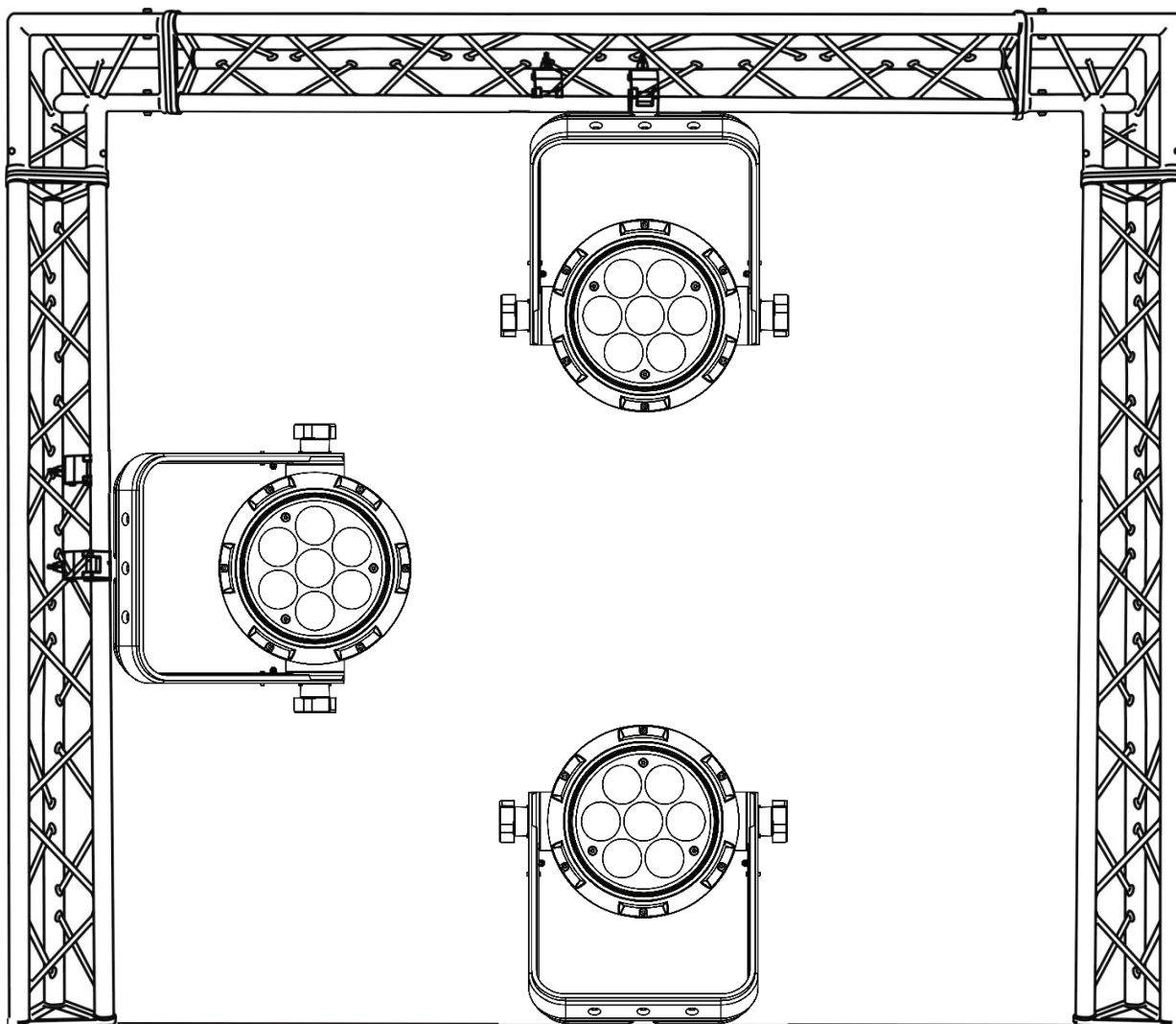
SAFETY CABLE:
ALWAYS ATTACH A SAFETY CABLE WHENEVER INSTALLING THIS FIXTURE IN A SUSPENDED ENVIRONMENT TO ENSURE THAT THE FIXTURE WILL NOT FALL IF THE CLAMP FAILS. ONLY USE DESIGNATED RIGGING POINTS FOR SAFETY CABLE.

INSTALLATION GUIDELINES

RIGGING

Overhead rigging requires extensive experience, including calculating working load limits, installation material being used, and periodic safety inspection of all installation material and the fixture, among other skills. If you lack these qualifications, do not attempt the installation yourself. Improper installation can result in bodily injury.

The fixture is fully operational in the positions illustrated below.



SAFETY CABLE:
ALWAYS ATTACH A SAFETY CABLE WHENEVER INSTALLING THIS FIXTURE IN A SUSPENDED ENVIRONMENT TO ENSURE THAT THE FIXTURE WILL NOT FALL IF THE CLAMP FAILS. ONLY USE DESIGNATED RIGGING POINTS FOR SAFETY CABLE.

REMOTE DEVICE MANAGEMENT (RDM)

NOTE: In order for RDM to work properly, RDM enabled equipment must be used throughout the entire system, including DMX data splitters and wireless systems.

Remote Device Management (RDM) is a protocol that sits on top of the DMX512 data standard for lighting, allowing the DMX systems of the fixtures to be modified and monitored remotely. This protocol is ideal for instances in which a unit is installed in a location that is not easily accessible.

With RDM, the DMX512 system becomes bi-directional, allowing a compatible RDM enabled controller to send out a signal to devices on the wire, as well as allowing the fixture to respond (known as a GET command). The controller can then use its SET command to modify settings that would typically have to be changed or viewed directly via the unit's display screen, including the DMX Address, DMX Channel Mode, and Temperature Sensors.

FIXTURE RDM INFORMATION:

RDM Code	Device ID	Device Model ID	Personality ID
0x22A6	Random	0x08C6	1x0106 (6Ch) 0x0206 (7Ch) 0x0306 (8Ch) 0x0406 (9Ch) 0x0506 (11Ch) 0x0606 (12Ch)

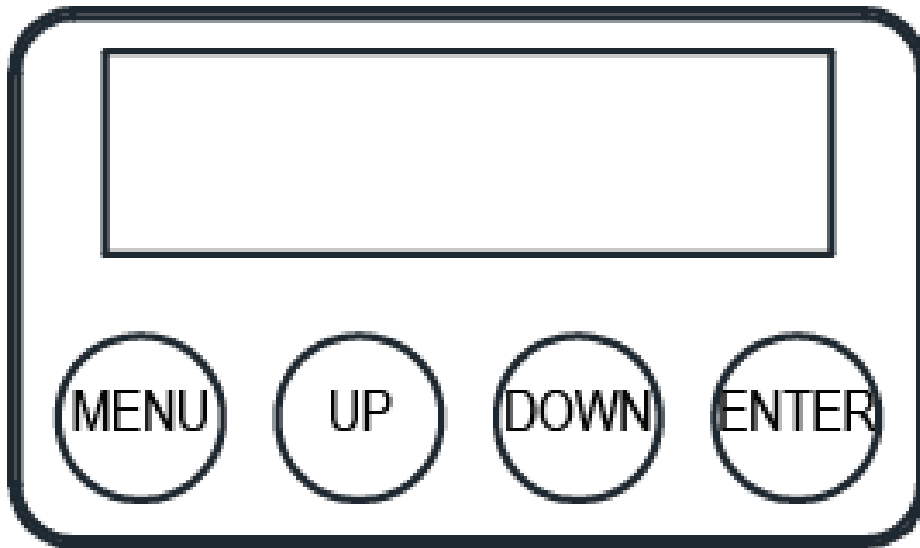
Please be aware that not all RDM devices support all RDM features, and therefore it is important to check beforehand to ensure that the equipment that you are considering includes all of the features that you require.

The following parameters are accessible in RDM on this device:

	Parameter Description	
Disc Unique Branch		Lamp Hours
Disc Mute	Manufacturer Label	Lamp State
Disc Un Mute	Device Label	Reset Device
Device Info	Boot Software Version ID	Cal Red
Supported Parameters	Boot Software Version Label	Cal Green
Software Version Label	DMX Personality	Cal Blue
DMX Start Address	DMX Personality Description	Cal White
Identify Device	Sensor Definition	Cal Control
Device Model Description	Sensor Value	Cal Data
Status Messages	Device Hours	

SYSTEM MENU

The fixture features an easy to navigate system menu. The OLED control panel display (see image below), which is located on the back of the fixture, provides access to the main system menu and is where all necessary system adjustments are made to the fixture. During normal operation, pressing MENU button once will access the fixture's main menu. Once in the main menu you can navigate through the different functions and access the sub-menus with the UP and DOWN buttons. Once you reach a field that requires adjusting, press the ENTER button to activate that field, then use the UP and DOWN buttons to adjust the field. Pressing the ENTER button once more will confirm your setting. You may exit the main menu at any time without making any adjustments by pressing the MENU button.



SYSTEM MENU

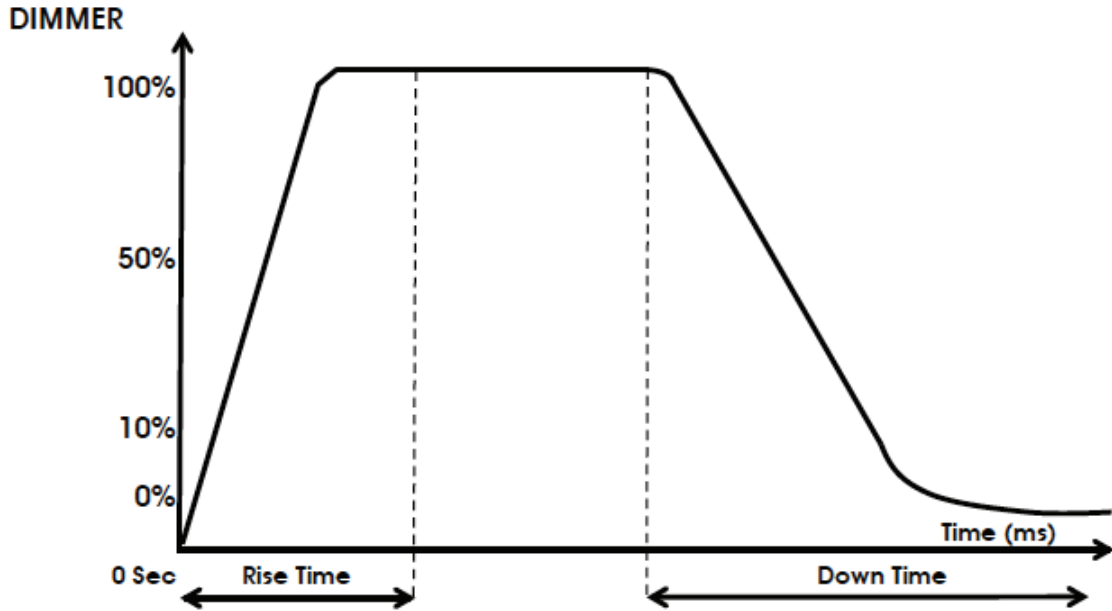
ELATION ARENA ZOOM Q7IP SYSTEM MENU				
Supports Software Versions: ≥ 1.5				
Features subject to change without notice. Rotation direction (clockwise/counter-clockwise) and control of effects depend on head orientation and pan/tilt settings. Default settings listed in bold .				
MAIN MENU	SUB MENU	OPTIONS / VALUES		DESCRIPTION
DMX SETTING	DMX Address	001 - 512		Set DMX address
	Channel Mode	6CH		Select DMX channel mode
		7CH		
		8CH		
		9CH		
		11CH		
12CH				
DMX LAST STATE	Black Out		Define how fixture reacts when DMX signal is lost or interrupted	
	Hold			
	Primary/Secondary			
FIXTURE SETTING	Light Mode	White Balance	Red: 125 - 255	Adjust white balance of each LED
			Green: 125 - 255	
			Blue: 125 - 255	
	Gamma Correction	Disable		Set gamma brightness
		2.0		
		2.2		
		2.4		
	2.8			
	Constant Color	Enable / Disable		
	Dimmer Curve	Standard		Set dimming curve mode
		Stage		
		TV		
		Architectural		
Theatre				
PWM Frequency	600 Hz		Set LED Refresh Frequency Rate	
	1200 Hz			
	2400 Hz			
	3600 Hz			
	4800 Hz			
	6000 Hz			
	10200 Hz			
	15000 Hz			
	20400 Hz			
	25200 Hz			
28800 Hz				
Fan Mode	Auto Mode / Silent Mode		Set fan mode	

CONTINUED ON NEXT PAGE

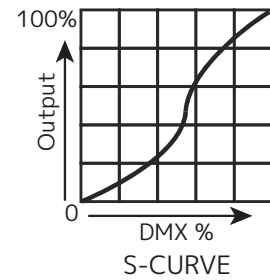
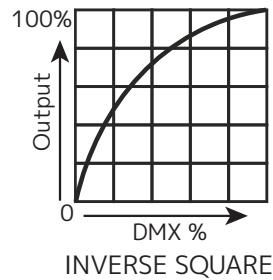
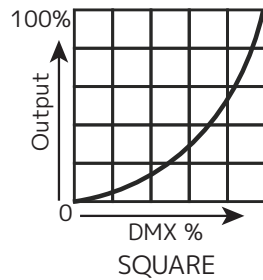
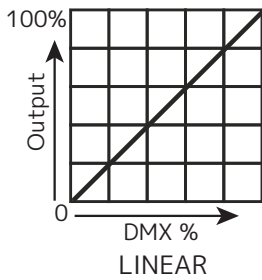
SYSTEM MENU

MAIN MENU	SUB MENU	OPTIONS / VALUES	DESCRIPTION	
INTERNAL PROGRAM	Total Scenes	1 - 50 (Default = 4)	Set total number of scenes to use; scenes 1 - 4 set by default as follows: Scene 1 - Red = 255 Scene 2 - Green = 255 Scene 3 - Blue = 255 Scene 4 - White = 255	
	Edit Scene Colors	1 - 4	Red: 0 - 255	Edit RGBW values for scenes. Edit function only available for scene numbers accessed in Total Scenes menu
			Green: 0 - 255	
			Blue: 0 - 255	
			White: 0 - 255	
	Fade Time	0 - 255 sec	Set transition times between scenes; default = 4 sec	
Hold Time	0 - 255 sec	Set length of time scenes are displayed; default = 8 sec		
Zoom	0 - 255	Set zoom, narrow to wide; default = 0		
AUTO TEST	Testing...		Run auto test of fixture	
MANUAL MODE	Dimmer	0 - 255	Manual control of fixture	
	Strobe	0 - 255		
	Red	0 - 255		
	Green	0 - 255		
	Blue	0 - 255		
	White	0 - 255		
	Zoom	0 - 255		
DISPLAY SETTING	Invert	No / Yes	Flip OLED control display 180 degrees	
	Back Light Auto Off	Disable / Enable	Set OLED display backlight function	
	Unit Temperature	°F / °C	Temperature units	
	Display Warning	Disable / Enable	Display fixture warning messages	
FIXTURE INFORMATION	LED Temperature	xxx °F / xxx °C	Current fixture temperature	
	Fixture Life Time	x Hours	Total hours of fixture usage	
	LED Usage Time	x Hours	Total hours of LED usage	
	Firmware Version	x.x	Software version	
RESET FUNCTION	Zoom Motor	No / Yes	Reset zoom motor	
FACTORY RESTORE	No / Yes		Reset fixture settings to factory default	

DIMMER CURVE MODES



Dimming Curve Ramp Effect	0 sec Fade Time		1 sec Fade Time	
	Rise Time (ms)	Down Time (ms)	Rise Time (ms)	Down Time (ms)
Standard (default)	0	0	0	0
Stage	780	1100	1540	1660
TV	1180	1520	1860	1940
Architectural	1380	1730	2040	2120
Theatre	1580	1940	2230	2280



DMX TRAITS

ELATION ARENA ZOOM Q7IP DMX Channel Traits							
Supports Software Versions: 1.5							
Features subject to change without notice. Rotation direction (clockwise/counter-clockwise) and control of effects depends on head orientation and pan/tilt settings.							
CHANNEL						DMX VALUES	FUNCTION
6CH	7CH	8CH	9CH	11CH	12CH		
1	1	1	1	1	1	000 - 255	Red, 0% to 100%
2	2	2	2	2	2	000 - 255	Green, 0% to 100%
3	3	3	3	3	3	000 - 255	Blue, 0% to 100%
4	4	4	4	4	4	000 - 255	White, 0% to 100%
				5	5	000 - 255	Continuous White Color Temp Control, 10000K to 3200K
							Color Macros
						000 - 009	Open, RGBW color mixing enabled
						010 - 014	LEE 790 - Moroccan Pink
						015 - 019	LEE 157 - Pink
						020 - 024	LEE 332 - Special Rose Pink
						025 - 029	LEE 328 - Follies Pink
						030 - 034	LEE 345 - Fuchsia Pink
						035 - 039	LEE 194 - Surprise Pink
						040 - 044	LEE 181 - Congo Blue
						045 - 049	LEE 071 - Tokyo Blue
						050 - 054	LEE 120 - Deep Blue
						055 - 059	LEE 079 - Just Blue
						060 - 064	LEE 132 - Medium Blue
						065 - 069	LEE 200 - Double CT Blue
						070 - 074	LEE 161 - Slate Blue
			5		6	075 - 079	LEE 201 - Full CT Blue
						080 - 084	LEE 202 - Half CT Blue
						085 - 089	LEE 117 - Steel Blue
						090 - 094	LEE 353 - Lighter Blue
						095 - 099	LEE 118 - Light Blue
						100 - 104	LEE 116 - Medium Blue Green
						105 - 109	LEE 124 - Dark Green
						110 - 114	LEE 139 - Primary Green
						115 - 119	LEE 089 - Moss Green
						120 - 124	LEE 122 - Fern Green
						125 - 129	LEE 738 - JAS Green
						130 - 134	LEE 088 - Lime Green
						135 - 139	LEE 100 - Spring Yellow
						140 - 144	LEE 104 - Deep Amber
						145 - 149	LEE 179 - Chrome Orange
						150 - 154	LEE 105 - Orange

CONTINUED ON NEXT PAGE

DMX TRAITS

CHANNEL						DMX VALUES	FUNCTION		
6CH	7CH	8CH	9CH	11CH	12CH				
			5		6		Color Macros (continued)		
							155 - 159	LEE 021 - Gold Amber	
							160 - 164	LEE 778 - Millennium Gold	
							165 - 169	LEE 135 - Deep Golden Amber	
							170 - 174	LEE 164 - Flame Red	
							175 - 179	White 3200K	
							180 - 201	White 4000K	
							202 - 207	White 6000K	
							208 - 229	White 8000K	
							230 - 234	White 10,000K	
							235 - 239	Random Color Macros, fast speed	
							240 - 244	Random Color Macros, medium speed	
							245 - 249	Random Color Macros, slow speed	
							250 - 255	Open	
			6	6	7		Strobe		
								000 - 031	LEDs Off
								032 - 063	LEDs On
								064 - 095	Strobe Effect, slow to fast
								096 - 127	LEDs On
								128 - 159	Pulse Effect, slow to fast
								160 - 191	LEDs On
								192 - 223	Random Strobe, slow to fast
					224 - 255	LEDs On			
	5	5	7	7	8	000 - 255	Intensity , 0% to 100%		
		6		8	9	000 - 255	Dimmer Intensity Fine Adjustment		
5	6	7	8	9	10	000 - 255	Zoom , narrow to wide		
			10	10	11		Dimmer Curve		
								000 - 020	Standard
								021 - 040	Stage
								041 - 060	TV
								061 - 080	Architectural
								081 - 100	Theatre
								101 - 255	Default to unit curve setting
			11	11	12		Zoom Reset		
								000 - 079	Normal
								080 - 084	Reset
								085 - 095	Disable Zoom
								096 - 106	Enable Zoom
6	7	8	9	11	12	107 - 255	No function		

DMX TRAITS

NOTES:

Zoom Disable/Enable Via DMX:

Zoom control via DMX can be disabled such that it can only be controlled via Manual Mode on the OLED menu control panel.

- To disable Zoom control via DMX, set DMX channel 6, 7, 8, 9, 11, or 12 to a value of 85-95 and hold this value for a minimum of 5 seconds.
- To enable Zoom control via DMX, set DMX channel 6, 7, 8, 9, 11, or 12 to a DMX value of 96-106 and hold this value for a minimum of 5 seconds.

Please note that zoom motor reset and factory restore do not affect this feature.

SPECIFICATIONS

SOURCE

7x 30W Osram™ Quad-Color RGBW LEDs

30,000 Hour Average LED Life*

*LED Life may vary depending on several factors including but not limited to:

Environmental Conditions, Power/Voltage, Usage Patterns (On-Off Cycling), Control and Dimming.

PHOTOMETRIC DATA

3,200+ Total Lumen Output

Zoom Range 7° - 40°

Beam Angle: 8.8° - 36.5°

Field Angle: 13.9° - 53.6°

EFFECTS

Motorized Zoom

38 Color Macros and Variable Speed Macro Effects

Variable 3,200-10,000K Color Temperatures

Selectable Dimming Curve Effects

COLOR

RGBW

CONTROL / CONNECTIONS

(6) Multiple DMX Channel Modes (12 total channels)

Adjustable Refresh Rate (600-28,800 (Hz)

Adjustable Gamma Brightness (2.0, 2.2, 2.4, 2.8)

4 Button 180° Reversible OLED Menu Control Display

DMX and RDM Protocol Support

IP Rated 5pin DMX In/Out

Locking Power Cable In/Out

With Wired Digital Communication Network

SIZE / WEIGHT

Length: 12.4" (316mm)

Width: 9.6" (245mm)

Vertical Height: 7.8" (197mm)

Weight: 19.0 lbs. (8.6kg)

ELECTRICAL / THERMAL

AC 100-240V - 50/60Hz

250W Max Power Consumption

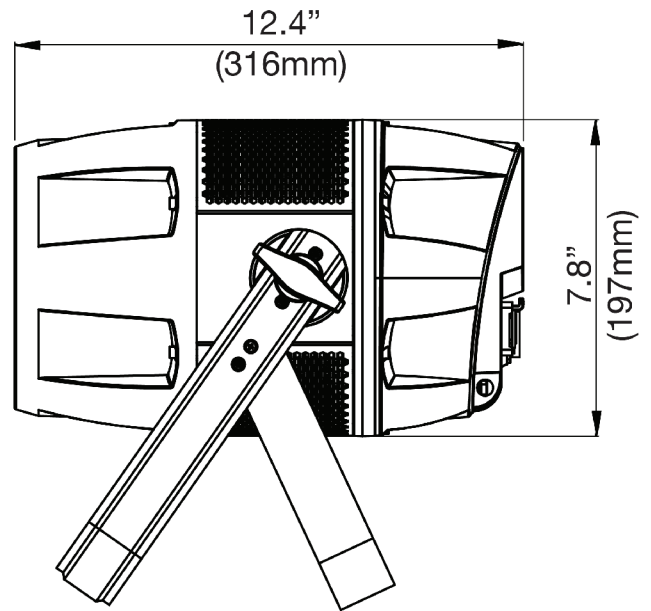
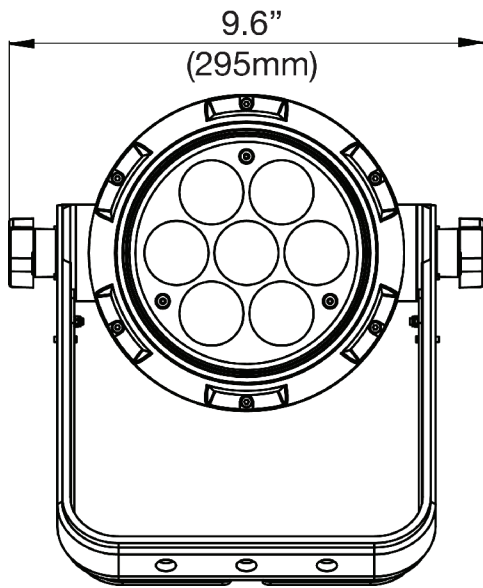
14°F to 113°F (-10°C to 45°C)

APPROVALS / RATINGS

CE | IP65 | cETLus



DIMENSIONAL DRAWINGS



Drawings not shown to scale.

OPTIONAL ACCESSORIES

ORDER CODE	ITEM
QUICK RIG CLAMP	Low Profile Quick Release Clamp
NEU088	3 ft (1m) Power Link Cable*

* other cable lengths are available

