



Fuze Pendant Compact

Photometric Test Report

©2022 **ELATION PROFESSIONAL** all rights reserved. Information, specifications, diagrams, images, and instructions herein are subject to change without notice. ELATION PROFESSIONAL logo and identifying product names and numbers herein are trademarks of ELATION PROFESSIONAL. Copyright protection claimed includes all forms and matters of copyrightable materials and information now allowed by statutory or judicial law or hereinafter granted. Product names used in this document may be trademarks or registered trademarks of their respective companies and are hereby acknowledged. All non-ELATION brands and product names are trademarks or registered trademarks of their respective companies.

Elation Professional USA | 6122 S. Eastern Ave. | Los Angeles, CA. 90040

323-582-3322 | 323-832-9142 fax | www.elationlighting.com | info@elationlighting.com

Elation Professional B.V. | Junostraat 2 | 6468 EW Kerkrade, The Netherlands

+31 45 546 85 66 | +31 45 546 85 96 fax | www.elationlighting.eu | info@elationlighting.eu

Elation Professional Mexico | AV Santa Ana 30 | Parque Industrial Lerma, Lerma, Mexico 52000

+52 (728) 282-7070

CONTENTS

Testing Process	4
45° (factory installed)	5
25°	39
40°	49
50°	60
100°	71

Emergency Power Test

For this test the fixture is connected to a 25-48V LED Emergency Driver, providing 15W of power. The Fuze Pendant Compact operates with reduced LED power to provide light output exceeding 90 minutes.

DMX control and display access are not available, and the color temperature is preset for optimum power usage.

Light levels and color temperature are not adjustable for Emergency Power Operation.

Testing Process

Total Lumen Measurements

Lumens are measured using a Viso Systems Lab Spion. As a goniophotometer, the Viso calculates the field lumens of the fixture by taking multiple measurements across the light beam.

Many lumens figures provided for entertainment lighting fixtures are only 2π sphere values, some even emphasize the LED engine lumens. All Elation product photometric data is the actual light output from the fixture lens, never a theoretical value based on calculation or using the source lumens as the fixtures output. We advise to always compare total fixture lumens acquired with identical measurement systems when comparing lighting fixtures.

Test Lab Equipment and Process

Elation operates an optical testing laboratory at its Los Angeles, CA headquarters to provide accurate photometric data for its lighting products. The testing lab is both light and climate- controlled and contains a variety of precise lighting measurement systems. Fixtures are analyzed with the sophisticated [Viso Systems Lab Spion](#) equipment, which measures all light and color parameters by panning the light beam at a precise speed and from different angles through a calibrated, laser aligned light and color sensor. Test data is collected and summarized by the Viso Light Inspector software. This type of measurement system is referred to as a Goniophotometer.

The Viso software calculates all relevant types of measurements, from beam angles, candela to center light intensity at a variety of distances to the latest color quality measurements like TM30 or CQS as well as accurate color temperature. This wealth of data is then processed by an Elation specific template which is included in the photometric test report for various fixture conditions such as zoom angles and color correction filters.

The Viso software also creates IES (Illuminating Engineering Society) files for each test report. IES is an industry standard file format created for the easy electronic transfer of photometric test data, which is widely used by lighting manufacturers for photometric data distribution.

Additionally, fixtures are periodically rechecked for accuracy using various hand-held light meters including one or more of the devices listed below. This is done to ensure the test data contained in this report is as accurate as possible.

[Asenstek Lighting Passport](#) | [Konica Minolta T-10](#) | [Sekonic C700T](#)

Fuze Pendant Compact

Photometric Test

45° Lens (factory installed)

Total Lumen Output: 7092 lm

Color Temperature: 6035 K

CRI: 72.8

TLCI: 74

TM30: 80.3

CQS: 87.4

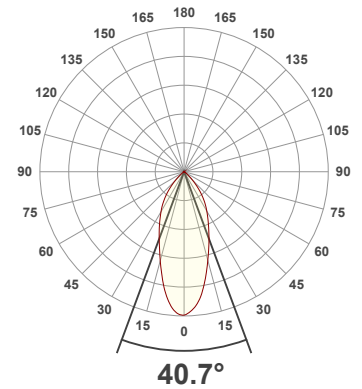
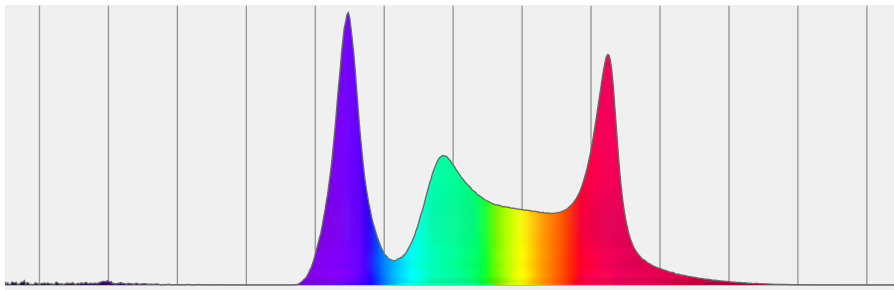
Measurement Date: 8/15/2022

Voltage: 115 V, Current: 1.39 A

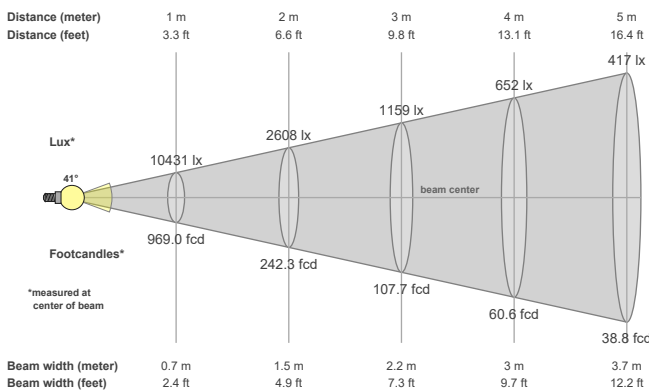
Power: 157.8 W

Efficacy: 45 Lumen/Watt

Spectral distribution
Dominant Wavelength 360



Beam details



Beam angles

Beam angle 50%	Field angle 10%	Cutoff angle 2,5%
40.7°	88.1°	103.2°

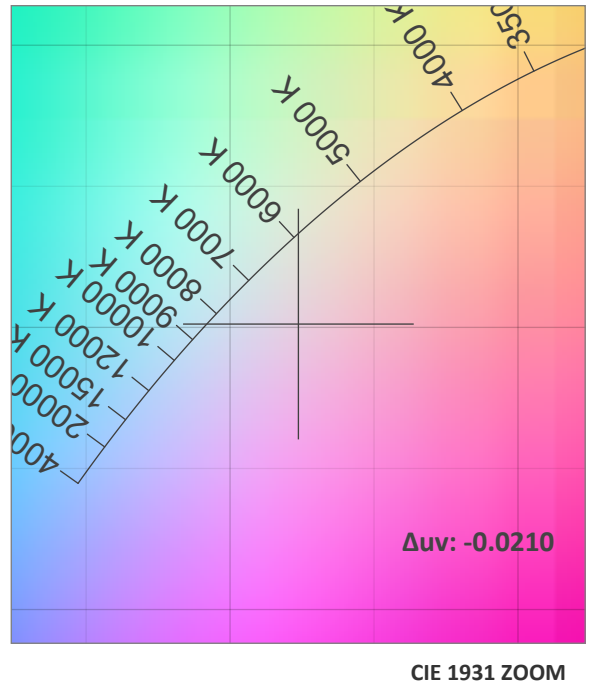
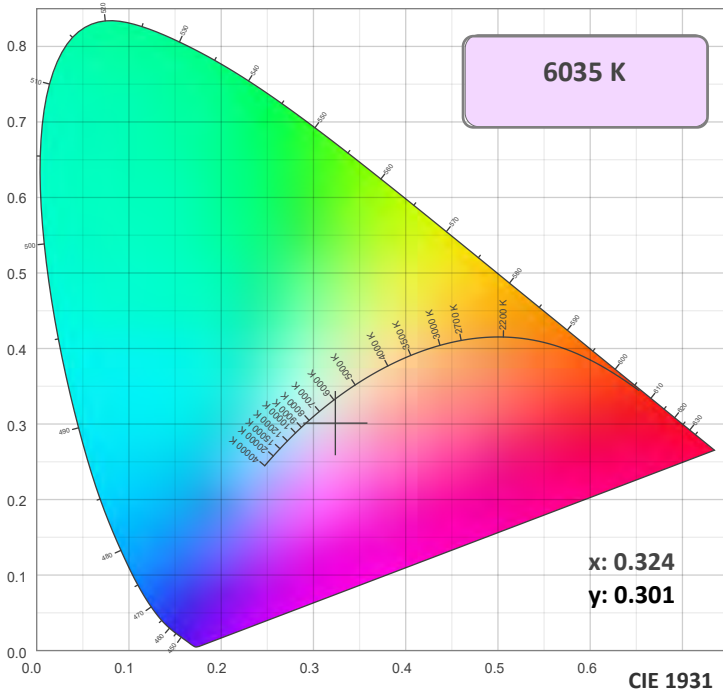
Beam intensities

Peak intensity	Int. ratio in 120° cone	Int. ratio in 90° cone
10434 cd	100.0%	94.9%

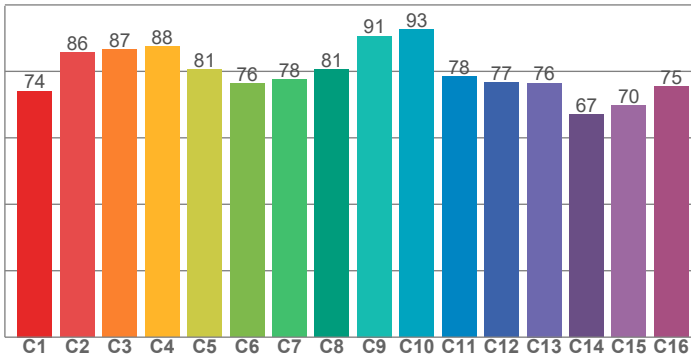
Beam Intensities from 1-20m

M	1	2	3	4	5	6	7	8	9	10	11	12	13	14	15	16	17	18	19	20
FT	3.3	6.6	9.8	13.1	16.4	19.7	23	26.2	29.5	32.8	36.1	39.4	42.7	45.9	49.2	52.5	55.8	59.1	62.3	65.6
LX	10431	2608	1159	652	417	290	213	163	129	104	86	72	62	53	46	41	36	32	29	26
FC	969	242.3	107.7	60.6	38.8	26.9	19.8	15.1	12	9.7	8	6.7	5.7	4.9	4.3	3.8	3.4	3	2.7	2.4

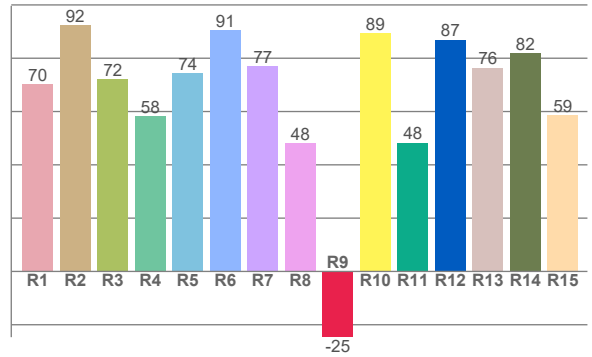
Color Details



TM30: 80.3



CRI: 72.8 (R1-R8)



CRI R values, only R1-R8 are used to calculate final CRI value

R1	R2	R3	R4	R5	R6	R7	R8	R9	R10	R11	R12	R13	R14	R15
70.2	92.4	72.1	58.2	74.3	90.5	77.0	48.2	-24.7	89.4	48.3	86.9	76.4	82.0	58.6

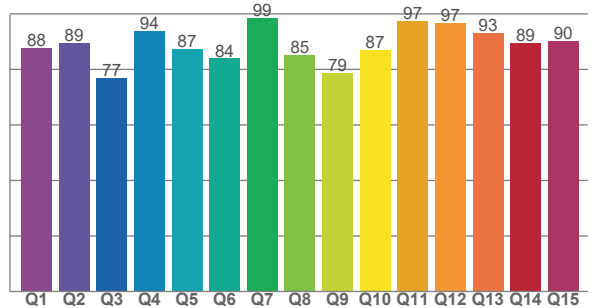
TM30 C Values, 16 binned values out of total of 99 C values

C1	C2	C3	C4	C5	C6	C7	C8	C9	C10	C11	C12	C13	C14	C15	C16
74.1	85.6	86.6	87.6	80.6	76.3	77.5	80.6	90.7	92.6	78.4	76.6	76.5	67.1	69.8	75.4

CQS Q Values

Q1	Q2	Q3	Q4	Q5	Q6	Q7	Q8	Q9	Q10	Q11	Q12	Q13	Q14	Q15
87.8	89.5	76.8	94.0	87.5	84.0	98.5	85.1	78.6	87.0	97.3	96.7	93.2	89.4	90.2

CQS: 87.4



Color Parameters

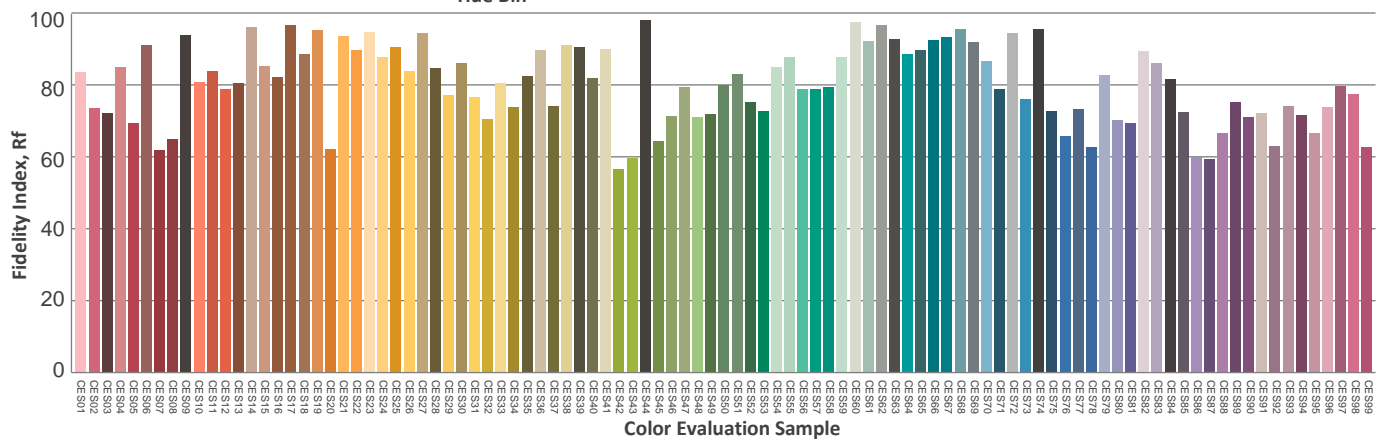
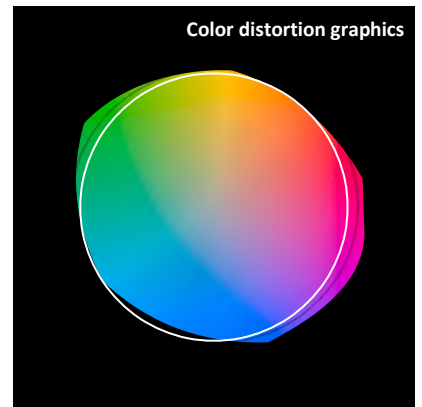
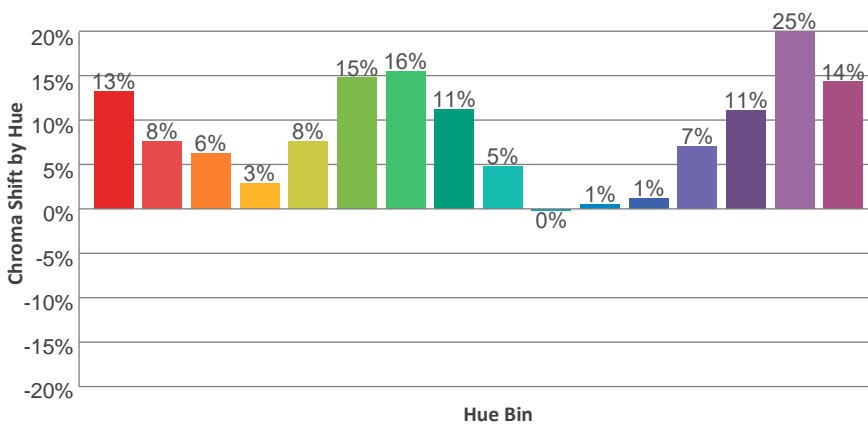
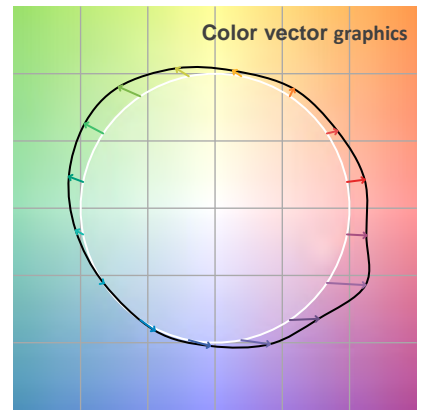
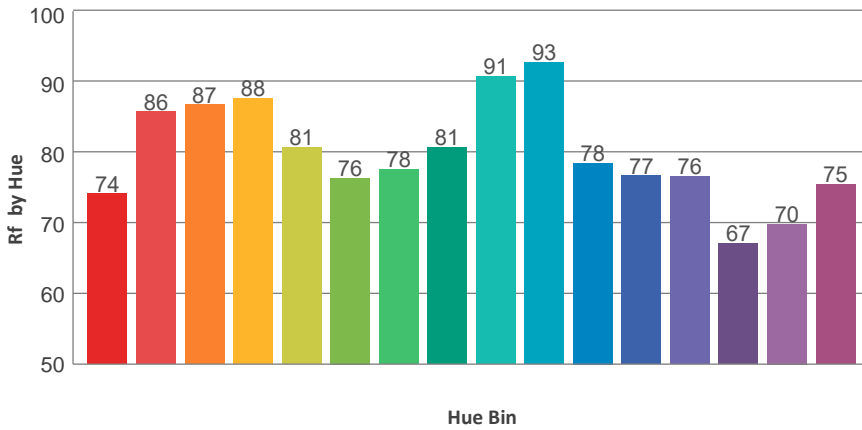
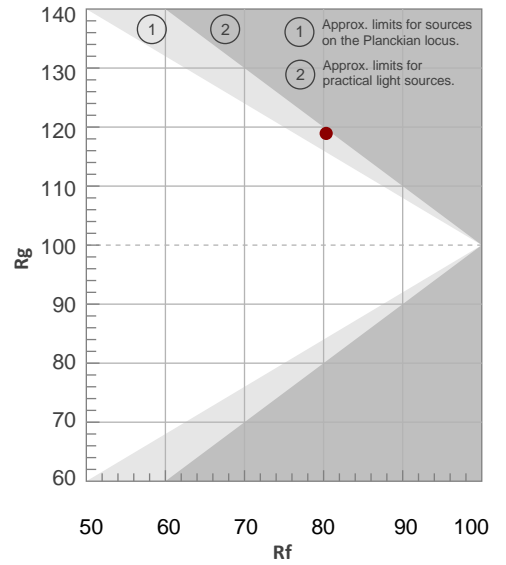
Color Temperature	Color Rendering Index	Red Component	Color Fidelity	Color Gamut	Color Quality Scale	Color Coordinate CIE 1931	Color Coordinate CIE 1931	Color Coordinate	Color Coordinate	Color Diviation from Black
CCT	CRI	CRI R9	TM30 Rf	TM30 Rg	CQS	x	y	u	v	Δuv
6035 K	72.8	-24.7	80.3	118.9	87.4	0.324	0.301	0.217	0.303	-0.0210

TM30 Details

Rf 80.3
Fidelity Index Rf

Rg 118.9
Gamut Index Rg

Hue Bin	R _f	Graphic shifts (%)	
		Chroma	Hue
1	74	13%	-1%
2	86	8%	-3%
3	87	6%	1%
4	88	3%	7%
5	81	8%	8%
6	76	15%	9%
7	78	16%	2%
8	81	11%	-2%
9	91	5%	-4%
10	93	0%	0%
11	78	1%	13%
12	77	1%	16%
13	76	7%	20%
14	67	11%	18%
15	70	25%	15%
16	75	14%	2%



Total Lumen Output: 5114 lm

Color Temperature: 2650 K

CRI: 86.3

TLCI: 90

TM30: 90.6

CQS: 82.4

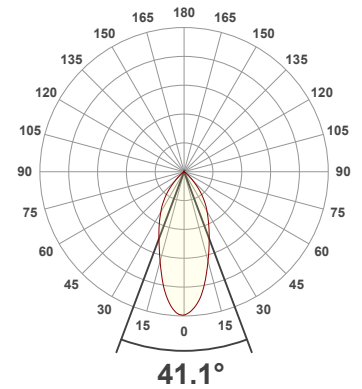
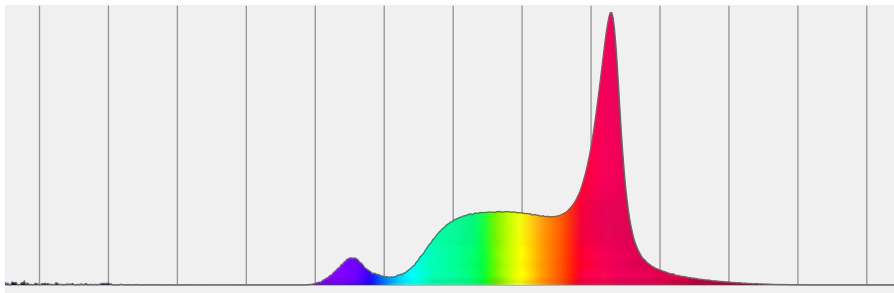
Measurement Date: 8/15/2022

Voltage: 118 V, Current: 0.837 A

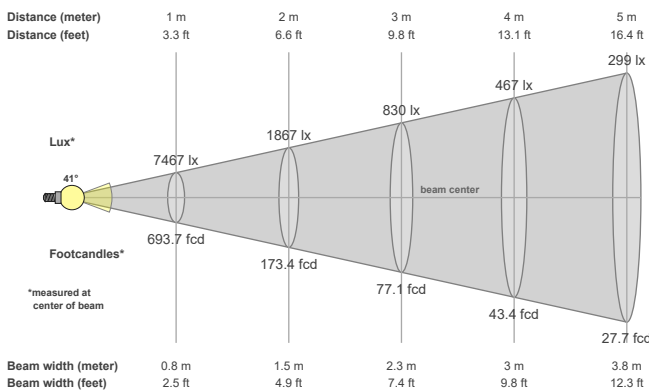
Power: 95.7 W

Efficacy: 53 Lumen/Watt

Spectral distribution
Dominant Wavelength 583



Beam details



Beam angles

Beam angle 50%	Field angle 10%	Cutoff angle 2,5%
41.1°	88°	102.8°

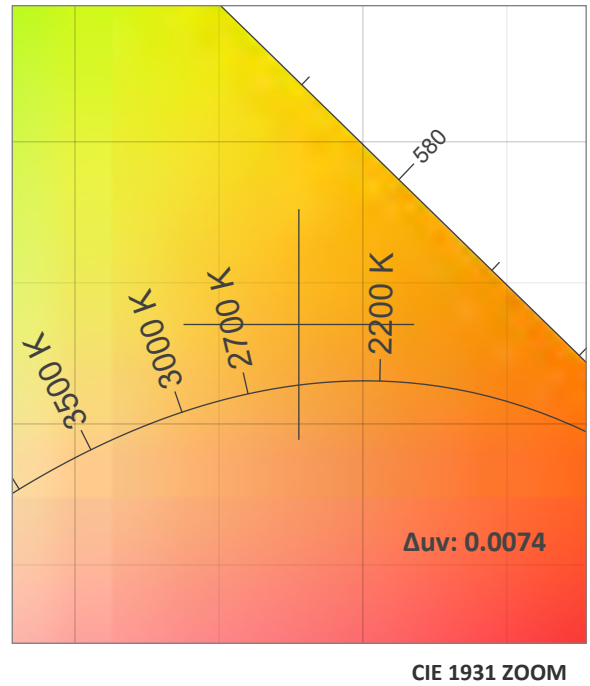
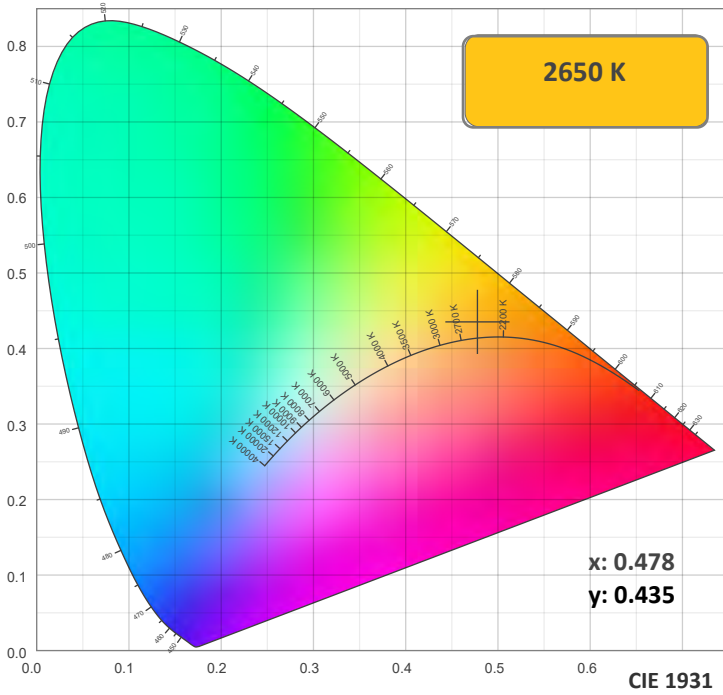
Beam intensities

Peak intensity	Int. ratio in 120° cone	Int. ratio in 90° cone
7472 cd	100.0%	95.1%

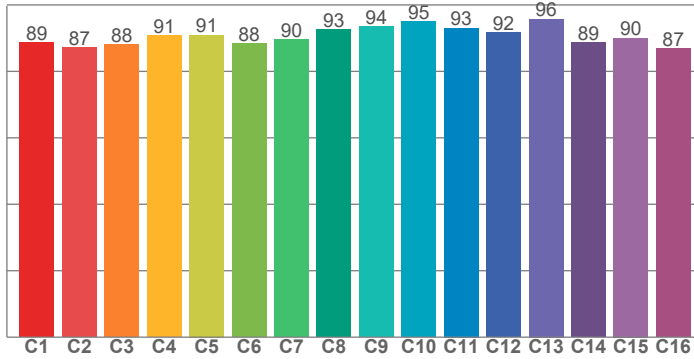
Beam Intensities from 1-20m

M	1	2	3	4	5	6	7	8	9	10	11	12	13	14	15	16	17	18	19	20
FT	3.3	6.6	9.8	13.1	16.4	19.7	23	26.2	29.5	32.8	36.1	39.4	42.7	45.9	49.2	52.5	55.8	59.1	62.3	65.6
LX	7467	1867	830	467	299	207	152	117	92	75	62	52	44	38	33	29	26	23	21	19
FC	693.7	173.4	77.1	43.4	27.7	19.3	14.2	10.8	8.6	6.9	5.7	4.8	4.1	3.5	3.1	2.7	2.4	2.1	1.9	1.7

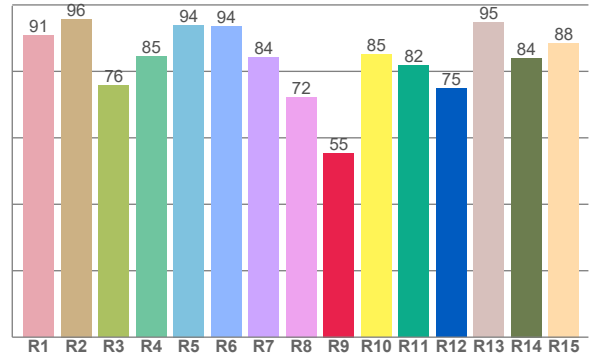
Color Details



TM30: 90.6



CRI: 86.3 (R1-R8)



CRI R values, only R1-R8 are used to calculate final CRI value

R1	R2	R3	R4	R5	R6	R7	R8	R9	R10	R11	R12	R13	R14	R15
90.7	95.8	75.8	84.6	94.0	93.6	84.1	72.3	55.4	85.0	81.8	74.9	94.7	84.0	88.5

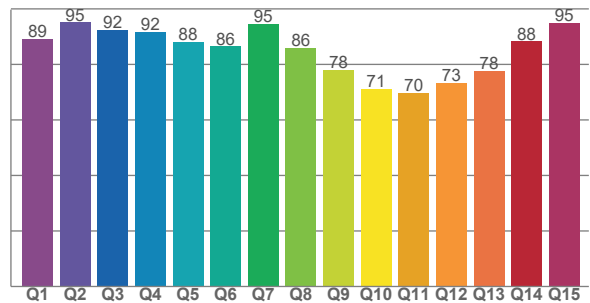
TM30 C Values, 16 binned values out of total of 99 C values

C1	C2	C3	C4	C5	C6	C7	C8	C9	C10	C11	C12	C13	C14	C15	C16
88.7	87.2	88.2	90.8	90.9	88.4	89.6	92.5	93.5	95.0	93.1	91.6	95.7	88.7	90.0	86.8

CQS Q Values

Q1	Q2	Q3	Q4	Q5	Q6	Q7	Q8	Q9	Q10	Q11	Q12	Q13	Q14	Q15
89.2	95.1	92.3	91.7	88.1	86.5	94.7	85.8	78.1	71.3	69.8	73.2	77.8	88.3	94.9

CQS: 82.4



Color Parameters

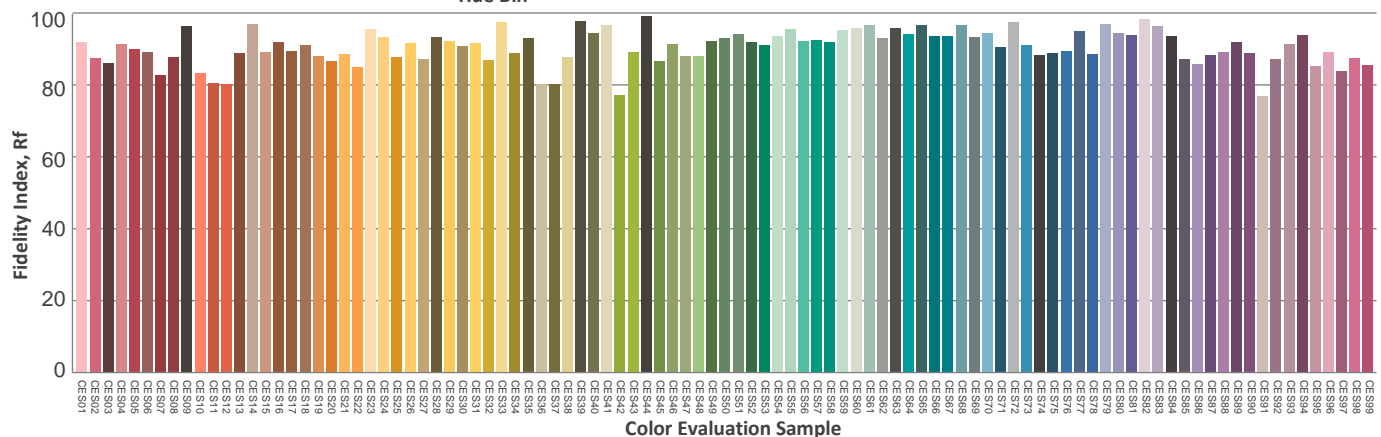
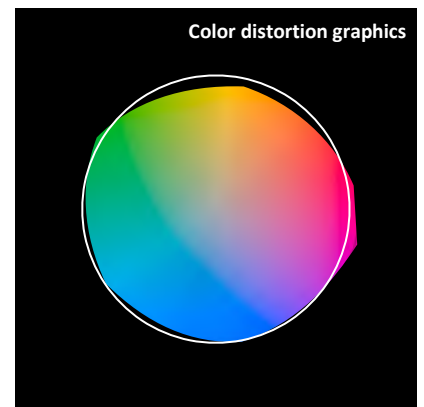
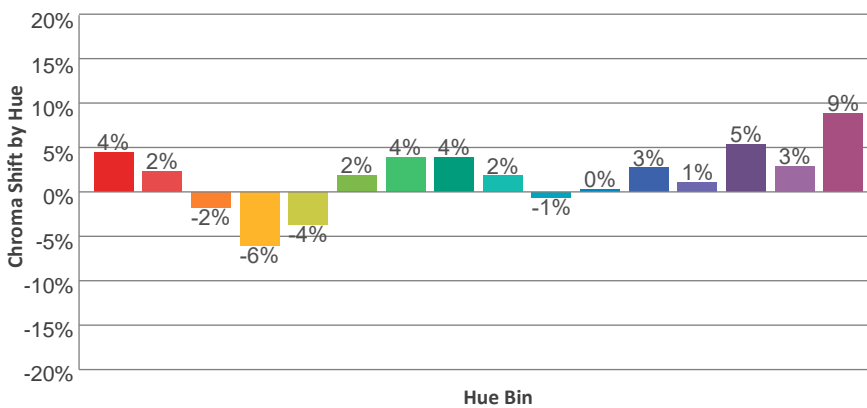
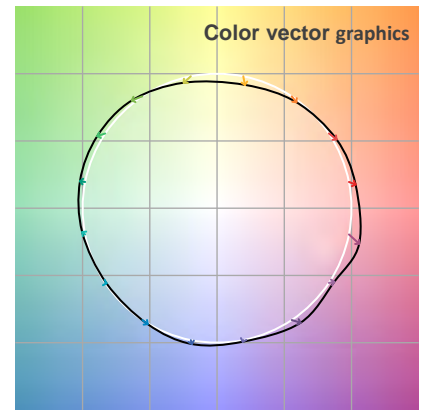
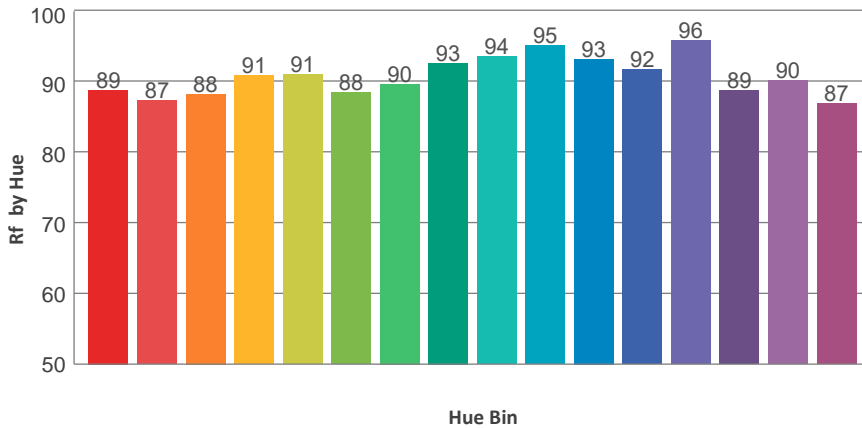
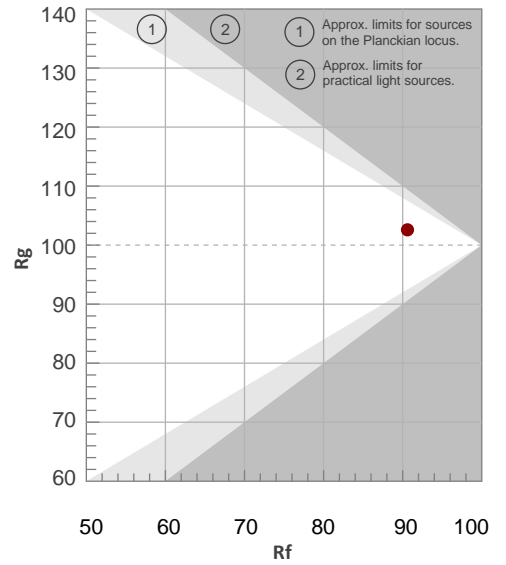
Color Temperature	Color Rendering Index	Red Component	Color Fidelity	Color Gamut	Color Quality Scale	Color Coordinate CIE 1931	Color Coordinate CIE 1931	Color Coordinate	Color Coordinate	Color Diviation from Black
CCT	CRI	CRI R9	TM30 Rf	TM30 Rg	CQS	x	y	u	v	Δuv
2650 K	86.3	55.4	90.6	102.6	82.4	0.478	0.435	0.263	0.359	0.0074

TM30 Details

Rf 90.6
Fidelity Index Rf

Rg 102.6
Gamut Index Rg

Hue Bin	R _f	Graphic shifts (%)	
		Chroma	Hue
1	89	4%	-3%
2	87	2%	-7%
3	88	-2%	-5%
4	91	-6%	-2%
5	91	-4%	6%
6	88	2%	8%
7	90	4%	5%
8	93	4%	0%
9	94	2%	-2%
10	95	-1%	1%
11	93	0%	5%
12	92	3%	1%
13	96	1%	-1%
14	89	5%	4%
15	90	3%	3%
16	87	9%	-5%



Total Lumen Output: 4844 lm

Color Temperature: 3222 K

CRI: 90.8

TLCI: 91

TM30: 92.4

CQS: 92.2

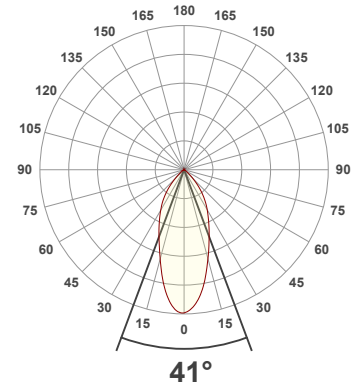
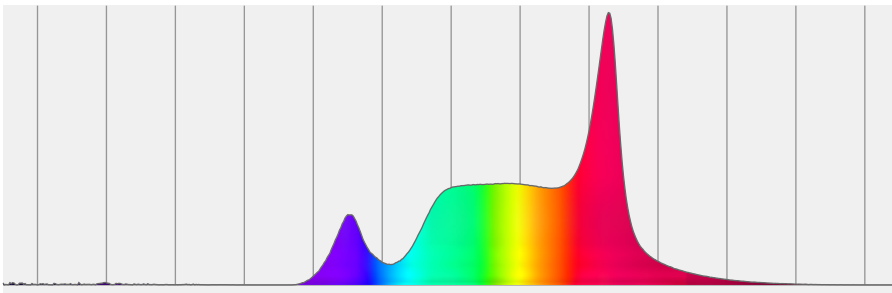
Measurement Date: 8/15/2022

Voltage: 116 V, Current: 0.783 A

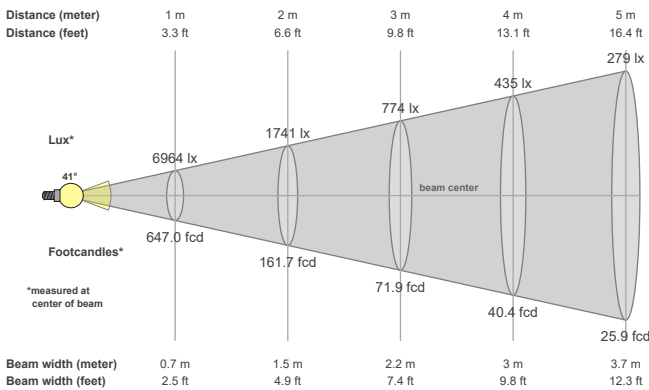
Power: 89.0 W

Efficacy: 54 Lumen/Watt

Spectral distribution
Dominant Wavelength 581



Beam details



Beam angles

Beam angle 50%	Field angle 10%	Cutoff angle 2,5%
41°	88.6°	104.3°

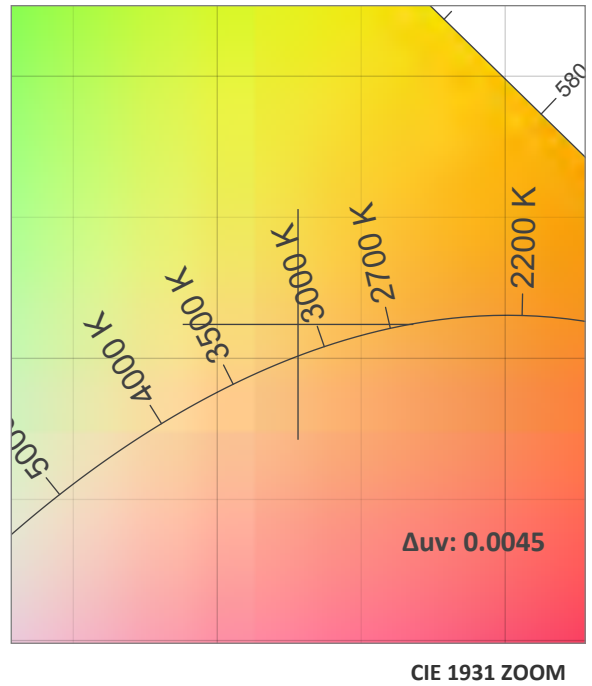
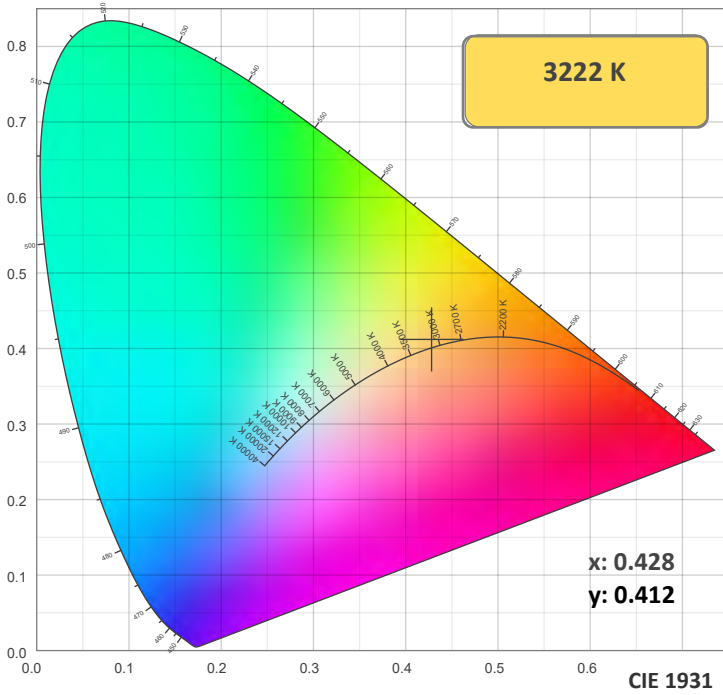
Beam intensities

Peak intensity	Int. ratio in 120° cone	Int. ratio in 90° cone
6991 cd	99.8%	94.3%

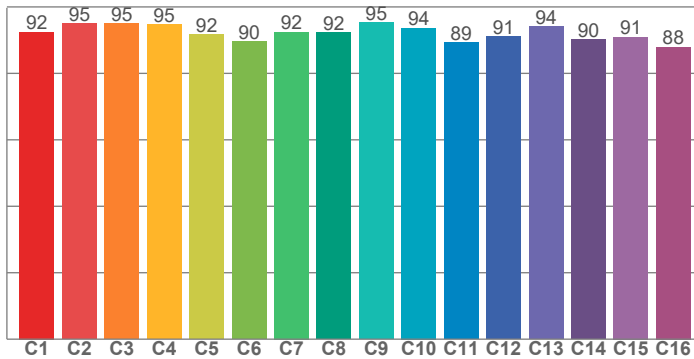
Beam Intensities from 1-20m

M	1	2	3	4	5	6	7	8	9	10	11	12	13	14	15	16	17	18	19	20
FT	3.3	6.6	9.8	13.1	16.4	19.7	23	26.2	29.5	32.8	36.1	39.4	42.7	45.9	49.2	52.5	55.8	59.1	62.3	65.6
LX	6964	1741	774	435	279	193	142	109	86	70	58	48	41	36	31	27	24	21	19	17
FC	647	161.7	71.9	40.4	25.9	18	13.2	10.1	8	6.5	5.3	4.5	3.8	3.3	2.9	2.5	2.2	2	1.8	1.6

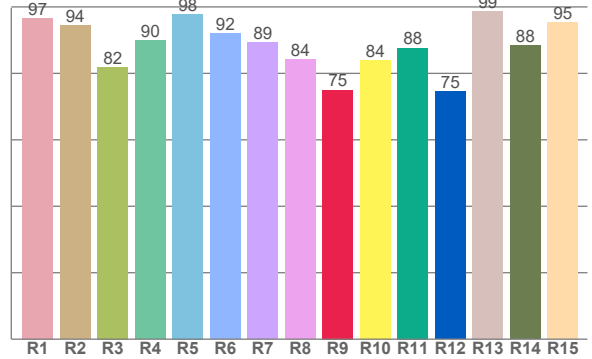
Color Details



TM30: 92.4



CRI: 90.8 (R1-R8)



CRI R values, only R1-R8 are used to calculate final CRI value

R1	R2	R3	R4	R5	R6	R7	R8	R9	R10	R11	R12	R13	R14	R15
96.7	94.4	81.9	89.9	97.8	91.9	89.4	84.2	75.0	84.0	87.7	74.6	98.7	88.4	95.4

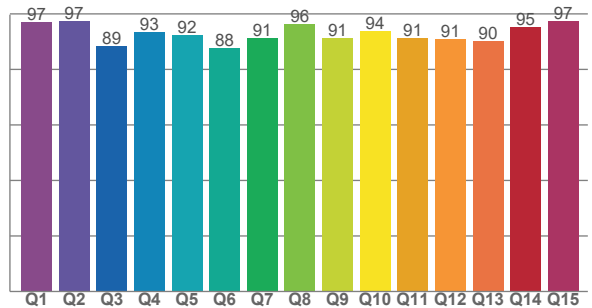
TM30 C Values, 16 binned values out of total of 99 C values

C1	C2	C3	C4	C5	C6	C7	C8	C9	C10	C11	C12	C13	C14	C15	C16
92.5	94.9	95.0	94.8	91.8	89.7	92.4	92.2	95.2	93.7	89.2	91.0	94.1	90.3	91.0	87.9

CQS Q Values

Q1	Q2	Q3	Q4	Q5	Q6	Q7	Q8	Q9	Q10	Q11	Q12	Q13	Q14	Q15
97.0	97.3	88.5	93.4	92.3	87.7	91.2	96.3	91.3	93.8	91.2	90.8	90.3	95.4	97.5

CQS: 92.2



Color Parameters

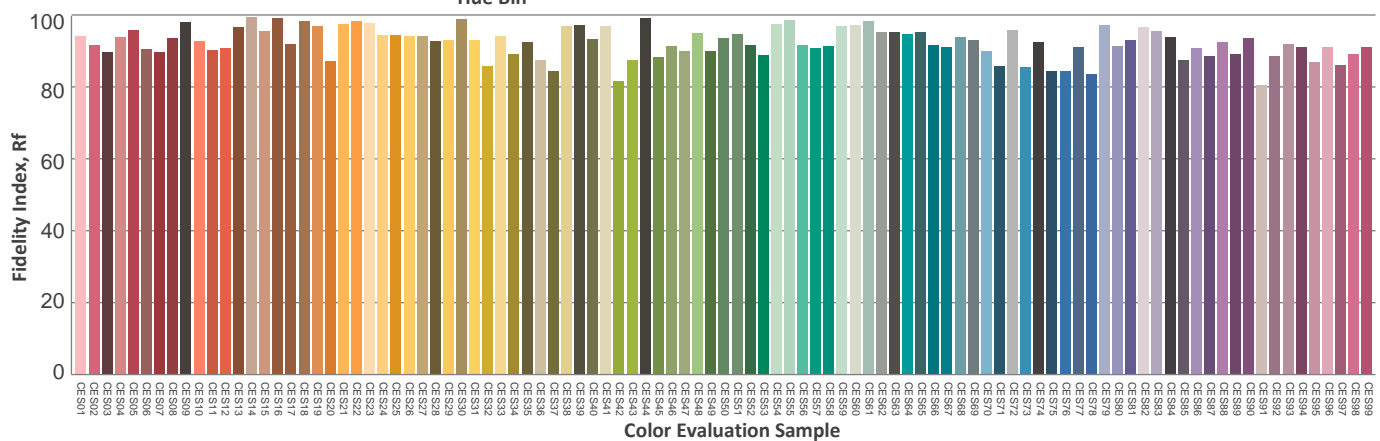
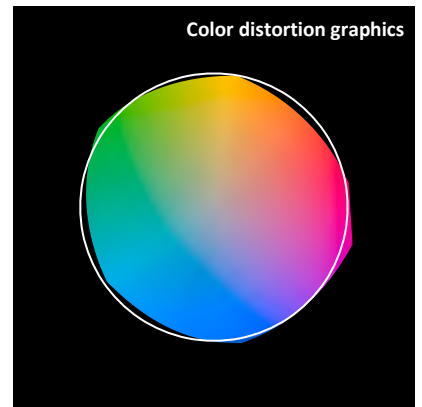
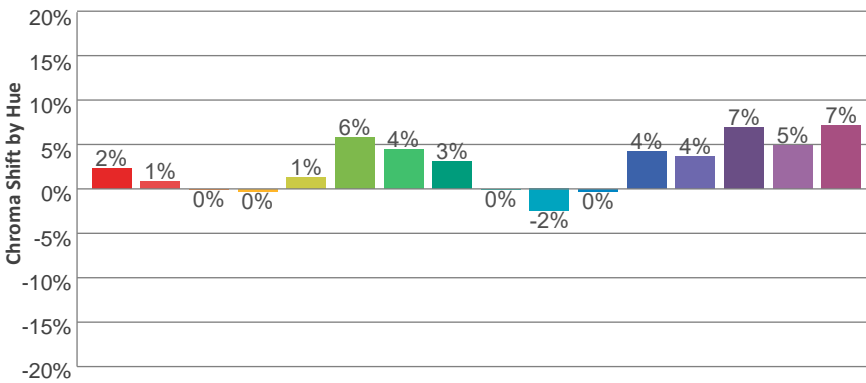
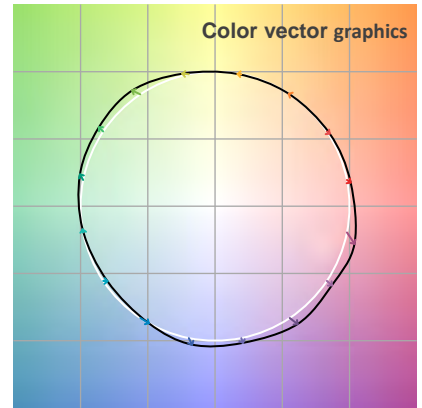
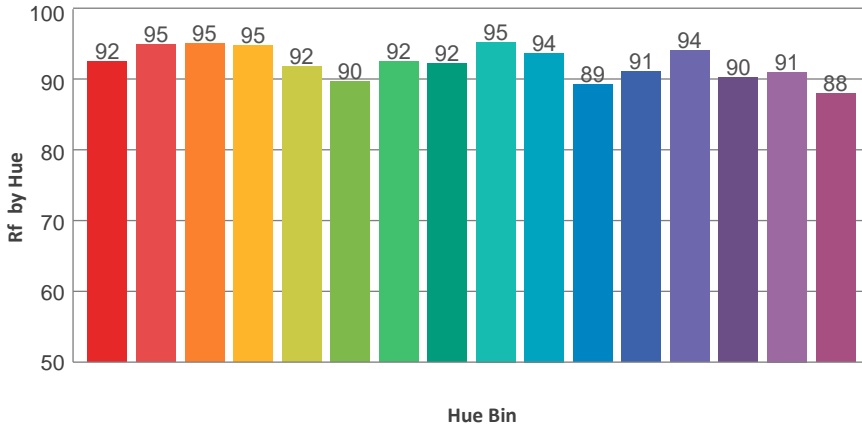
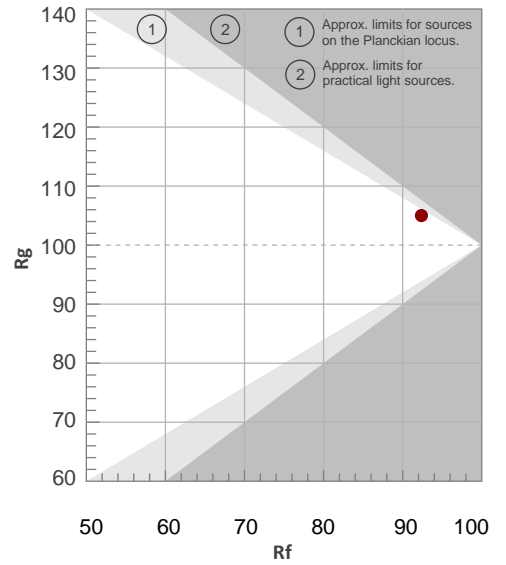
Color Temperature	Color Rendering Index	Red Component	Color Fidelity	Color Gamut	Color Quality Scale	Color Coordinate CIE 1931	Color Coordinate CIE 1931	Color Coordinate	Color Coordinate	Color Diviation from Black
CCT	CRI	CRI R9	TM30 Rf	TM30 Rg	CQS	x	y	u	v	Δuv
3222 K	90.8	75.0	92.4	105.0	92.2	0.428	0.412	0.242	0.349	0.0045

TM30 Details

Rf 92.4
Fidelity Index Rf

Rg 105.0
Gamut Index Rg

Hue Bin	R _f	Graphic shifts (%)	
		Chroma	Hue
1	92	2%	-2%
2	95	1%	-2%
3	95	0%	1%
4	95	0%	3%
5	92	1%	5%
6	90	6%	3%
7	92	4%	-1%
8	92	3%	-4%
9	95	0%	-2%
10	94	-2%	2%
11	89	0%	7%
12	91	4%	3%
13	94	4%	1%
14	90	7%	2%
15	91	5%	-1%
16	88	7%	-7%



Total Lumen Output: 4738 lm

Color Temperature: 4234 K

CRI: 91.0

TLCI: 88

TM30: 91.5

CQS: 93.3

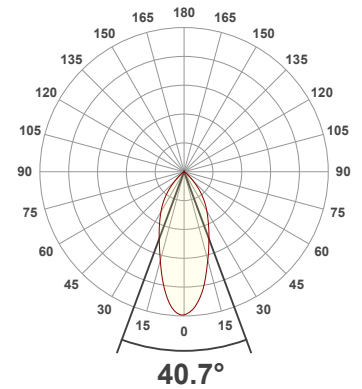
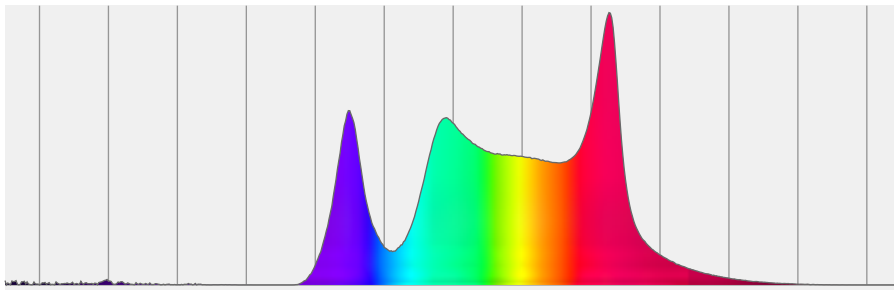
Measurement Date: 8/16/2022

Voltage: 116 V, Current: 0.788 A

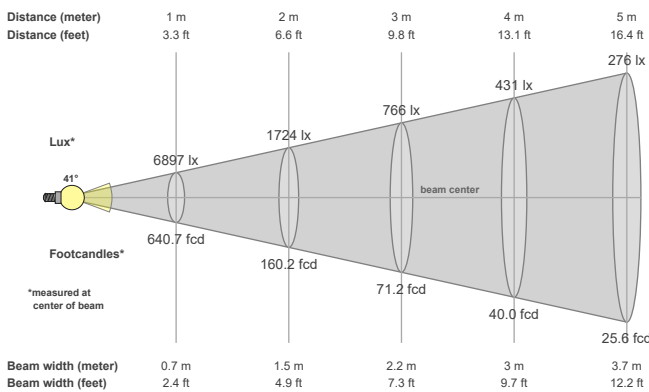
Power: 88.6 W

Efficacy: 53 Lumen/Watt

Spectral distribution
Dominant Wavelength 578



Beam details



Beam angles

Beam angle 50%	Field angle 10%	Cutoff angle 2,5%
40.7°	88.3°	103.8°

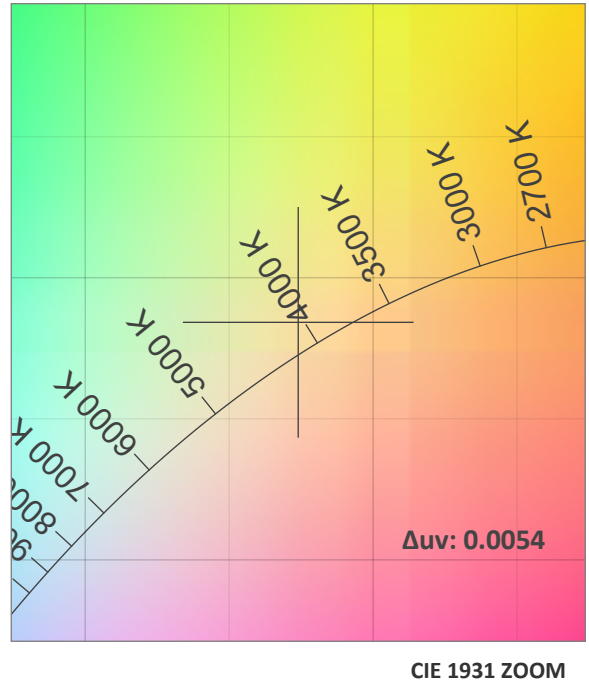
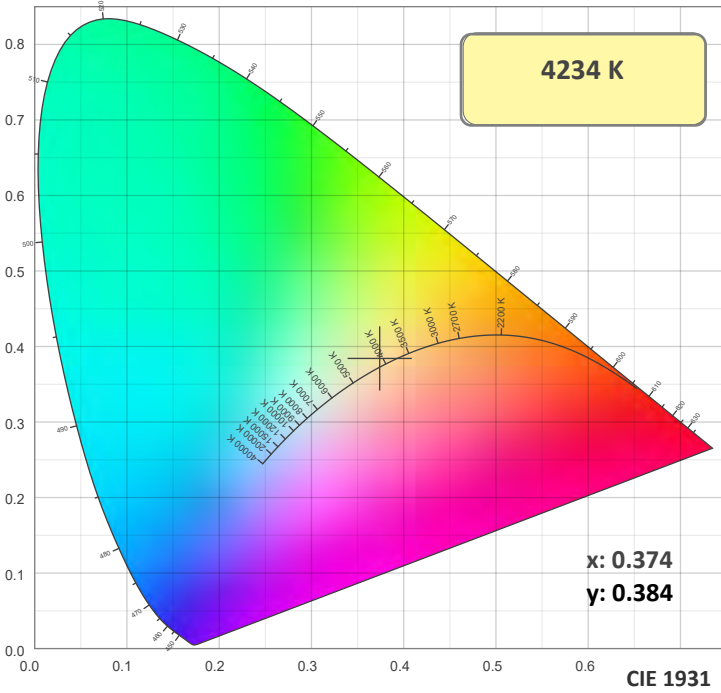
Beam intensities

Peak intensity	Int. ratio in 120° cone	Int. ratio in 90° cone
6927 cd	100.0%	94.7%

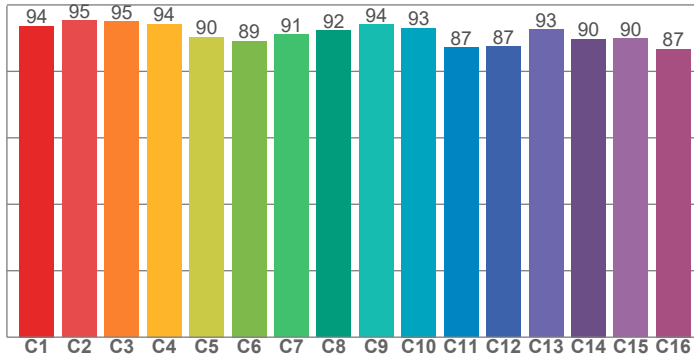
Beam Intensities from 1-20m

M	1	2	3	4	5	6	7	8	9	10	11	12	13	14	15	16	17	18	19	20
FT	3.3	6.6	9.8	13.1	16.4	19.7	23	26.2	29.5	32.8	36.1	39.4	42.7	45.9	49.2	52.5	55.8	59.1	62.3	65.6
LX	6897	1724	766	431	276	192	141	108	85	69	57	48	41	35	31	27	24	21	19	17
FC	640.7	160.2	71.2	40	25.6	17.8	13.1	10	7.9	6.4	5.3	4.4	3.8	3.3	2.8	2.5	2.2	2	1.8	1.6

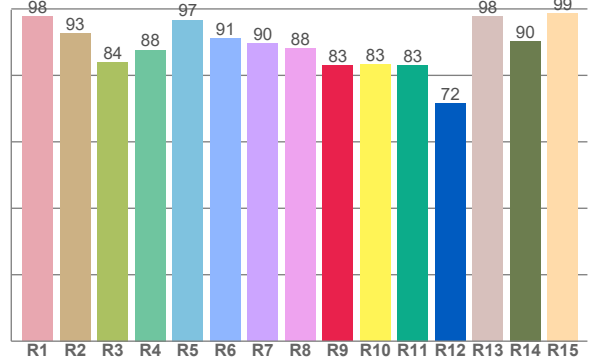
Color Details



TM30: 91.5



CRI: 91.0 (R1-R8)



CRI R values, only R1-R8 are used to calculate final CRI value

R1	R2	R3	R4	R5	R6	R7	R8	R9	R10	R11	R12	R13	R14	R15
97.8	92.8	84.0	87.7	96.7	91.2	89.6	88.0	83.1	83.2	83.1	71.6	97.7	90.3	98.7

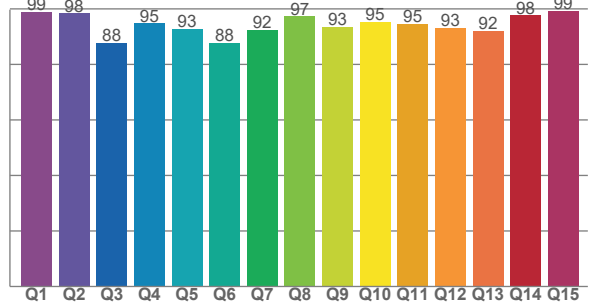
TM30 C Values, 16 binned values out of total of 99 C values

C1	C2	C3	C4	C5	C6	C7	C8	C9	C10	C11	C12	C13	C14	C15	C16
93.7	95.3	95.0	94.2	90.3	89.2	91.1	92.3	94.1	93.0	87.2	87.5	92.6	89.7	90.0	86.8

CQS Q Values

Q1	Q2	Q3	Q4	Q5	Q6	Q7	Q8	Q9	Q10	Q11	Q12	Q13	Q14	Q15
99.0	98.4	87.9	94.8	92.8	87.6	92.4	97.3	93.5	95.2	94.5	93.1	92.0	97.7	99.1

CQS: 93.3



Color Parameters

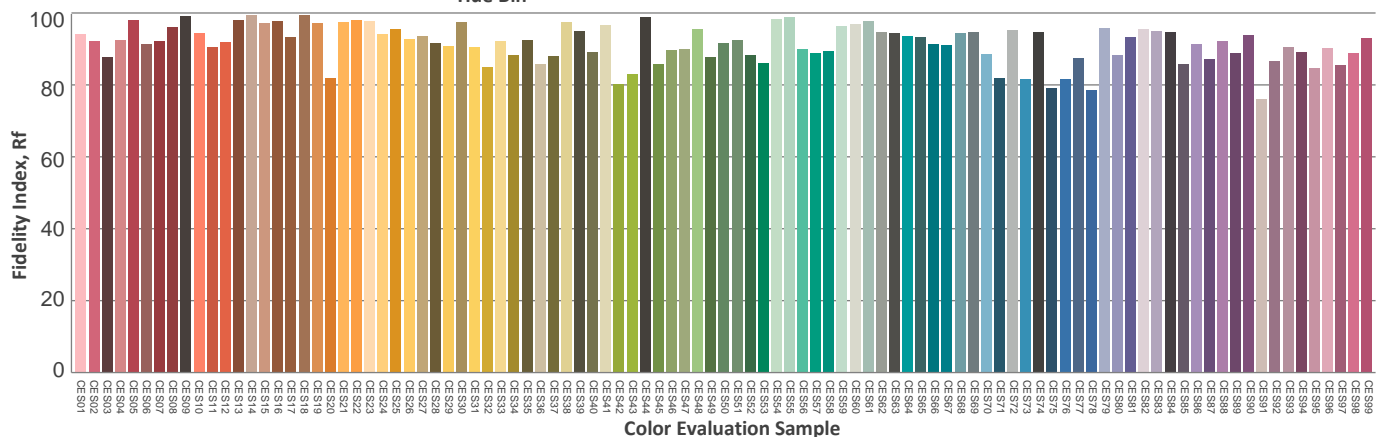
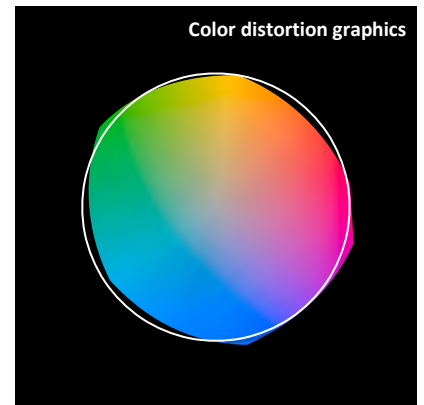
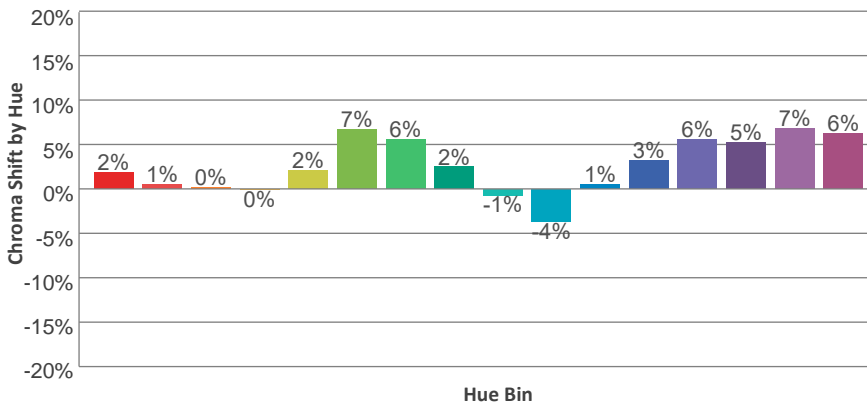
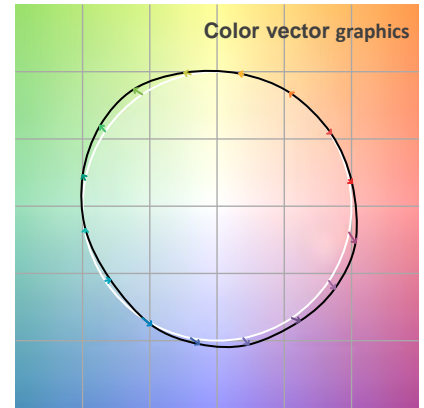
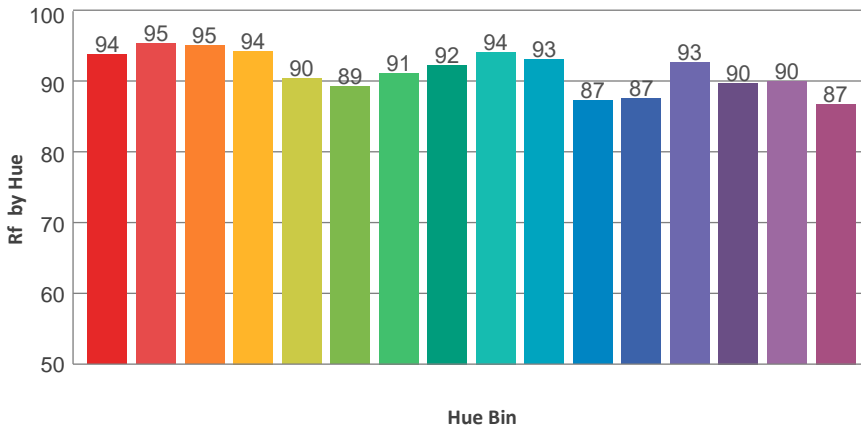
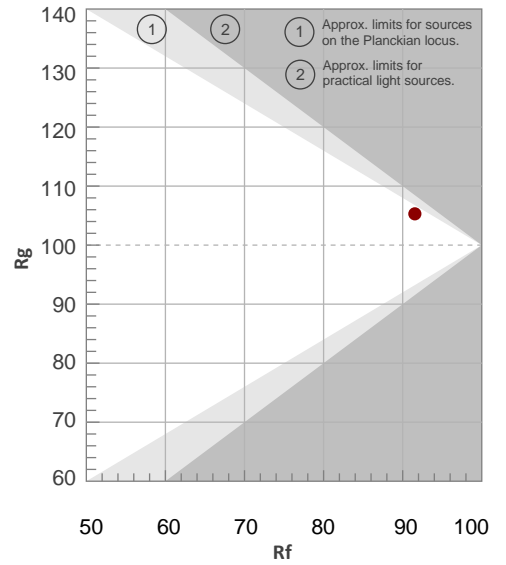
Color Temperature	Color Rendering Index	Red Component	Color Fidelity	Color Gamut	Color Quality Scale	Color Coordinate CIE 1931	Color Coordinate CIE 1931	Color Coordinate	Color Coordinate	Color Diviation from Black
CCT	CRI	CRI R9	TM30 Rf	TM30 Rg	CQS	x	y	u	v	Δuv
4234 K	91.0	83.1	91.5	105.3	93.3	0.374	0.384	0.218	0.336	0.0054

TM30 Details

Rf 91.5
Fidelity Index Rf

Rg 105.3
Gamut Index Rg

Hue Bin	R _f	Graphic shifts (%)	
		Chroma	Hue
1	94	2%	-3%
2	95	1%	-2%
3	95	0%	2%
4	94	0%	3%
5	90	2%	4%
6	89	7%	3%
7	91	6%	-1%
8	92	2%	-3%
9	94	-1%	-2%
10	93	-4%	1%
11	87	1%	8%
12	87	3%	7%
13	93	6%	3%
14	90	5%	4%
15	90	7%	-2%
16	87	6%	-6%



Total Lumen Output: 4580 lm

Color Temperature: 4540 K

CRI: 91.0

TLCI: 87

TM30: 91.2

CQS: 93.3

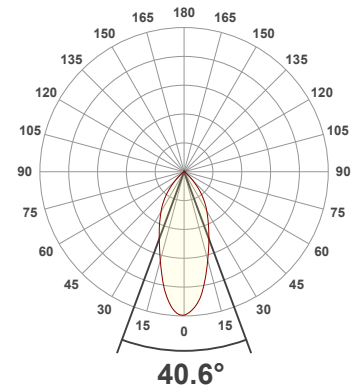
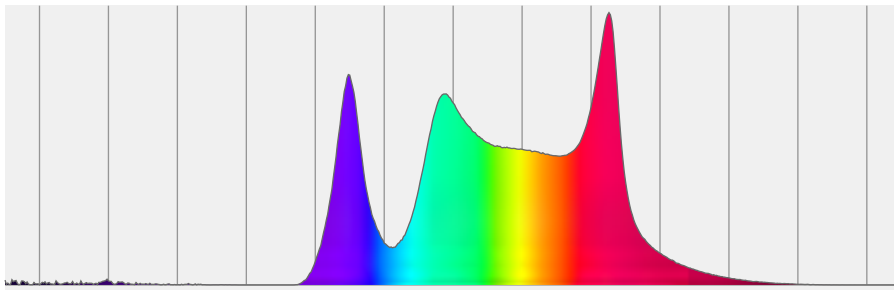
Measurement Date: 8/16/2022

Voltage: 116 V, Current: 0.787 A

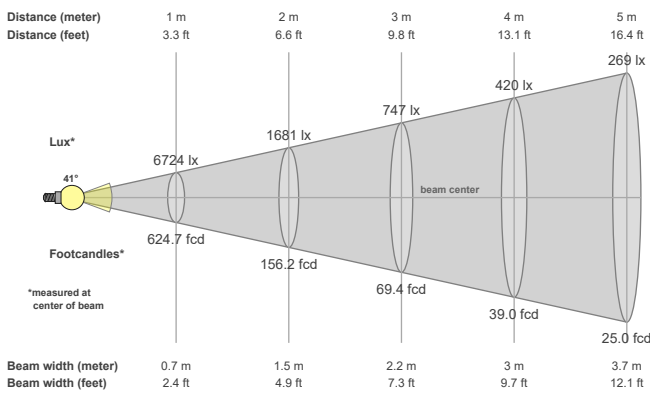
Power: 88.7 W

Efficacy: 52 Lumen/Watt

Spectral distribution
Dominant Wavelength 577



Beam details



Beam angles

Beam angle 50%	Field angle 10%	Cutoff angle 2,5%
40.6°	88.2°	103.5°

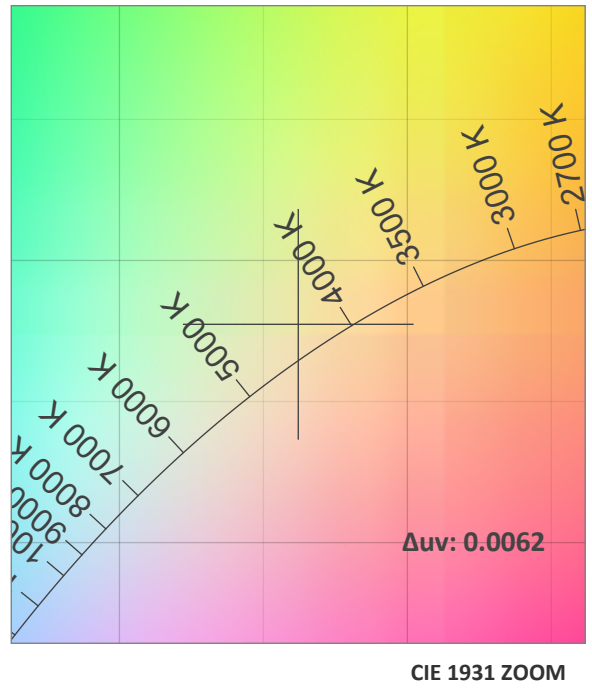
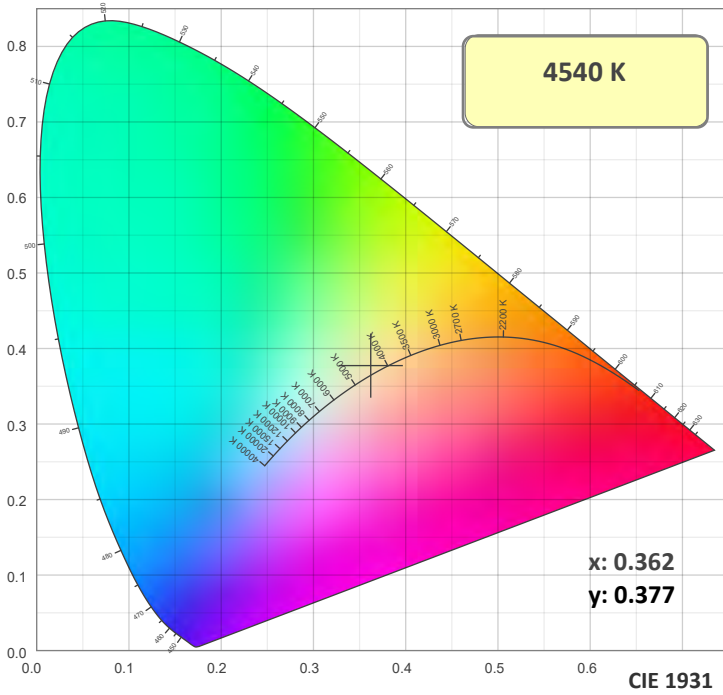
Beam intensities

Peak intensity	Int. ratio in 120° cone	Int. ratio in 90° cone
6727 cd	100.0%	94.8%

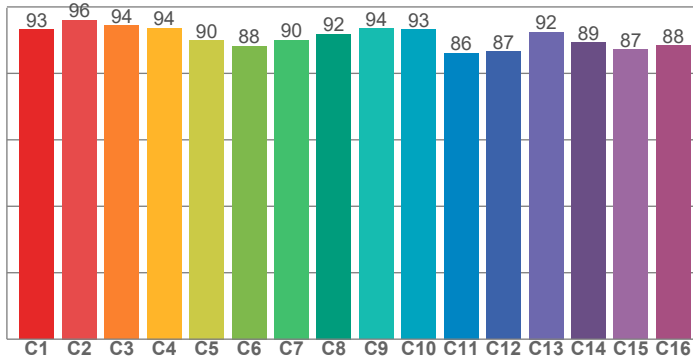
Beam Intensities from 1-20m

M	1	2	3	4	5	6	7	8	9	10	11	12	13	14	15	16	17	18	19	20
FT	3.3	6.6	9.8	13.1	16.4	19.7	23	26.2	29.5	32.8	36.1	39.4	42.7	45.9	49.2	52.5	55.8	59.1	62.3	65.6
LX	6724	1681	747	420	269	187	137	105	83	67	56	47	40	34	30	26	23	21	19	17
FC	624.7	156.2	69.4	39	25	17.4	12.7	9.8	7.7	6.2	5.2	4.3	3.7	3.2	2.8	2.4	2.2	1.9	1.7	1.6

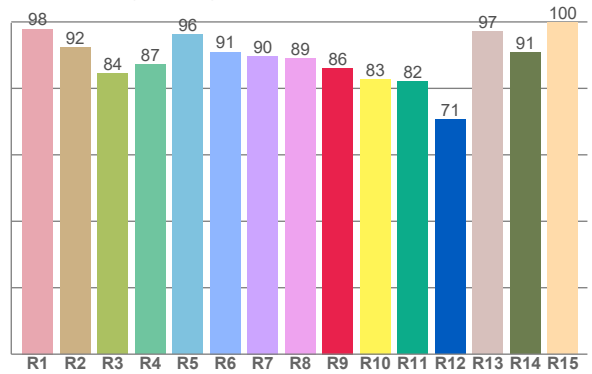
Color Details



TM30: 91.2



CRI: 91.0 (R1-R8)



CRI R values, only R1-R8 are used to calculate final CRI value

R1	R2	R3	R4	R5	R6	R7	R8	R9	R10	R11	R12	R13	R14	R15
97.9	92.3	84.4	87.2	96.3	91.0	89.8	86.1	82.8	82.0	70.6	97.2	90.7	99.8	

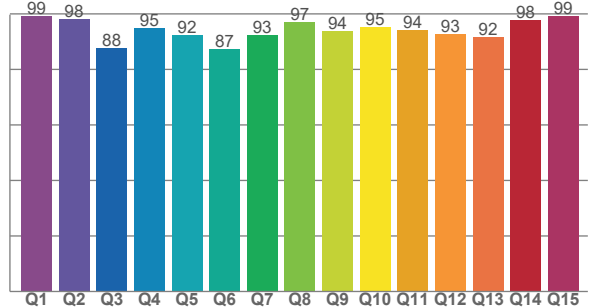
TM30 C Values, 16 binned values out of total of 99 C values

C1	C2	C3	C4	C5	C6	C7	C8	C9	C10	C11	C12	C13	C14	C15	C16
93.2	96.1	94.4	93.6	90.0	88.3	90.1	91.8	93.6	93.1	86.1	86.7	92.5	89.3	87.3	88.4

CQS Q Values

Q1	Q2	Q3	Q4	Q5	Q6	Q7	Q8	Q9	Q10	Q11	Q12	Q13	Q14	Q15
99.3	98.3	87.9	95.0	92.4	87.5	92.5	97.1	93.8	95.4	94.1	92.6	91.6	97.8	99.3

CQS: 93.3



Color Parameters

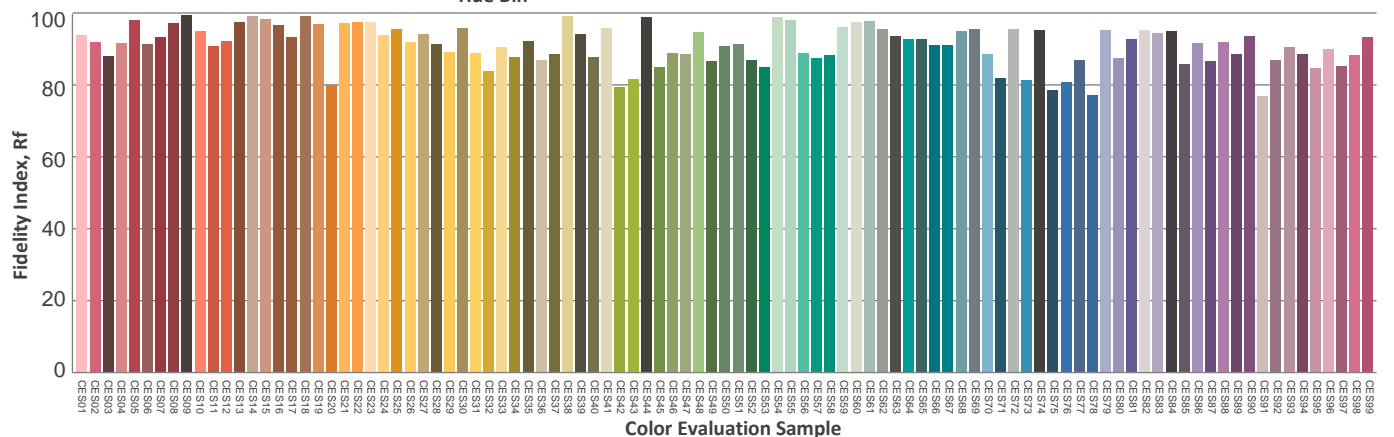
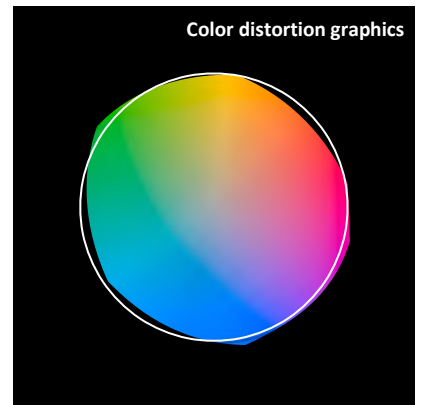
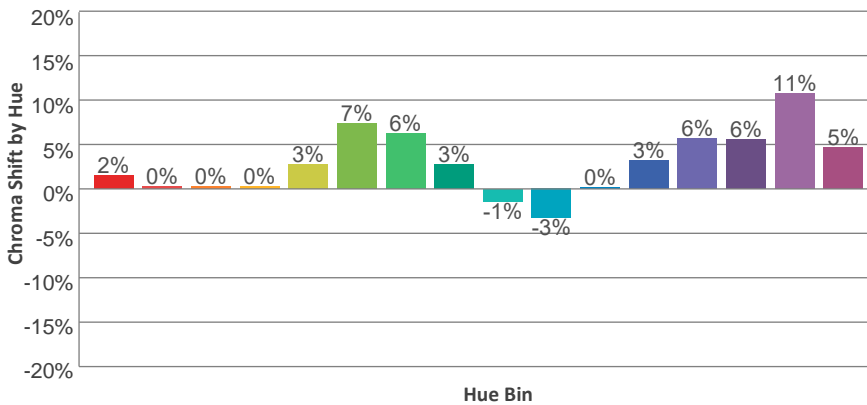
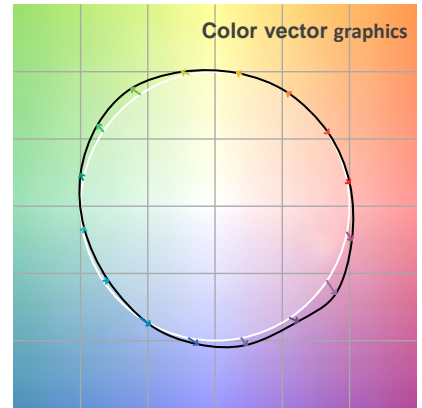
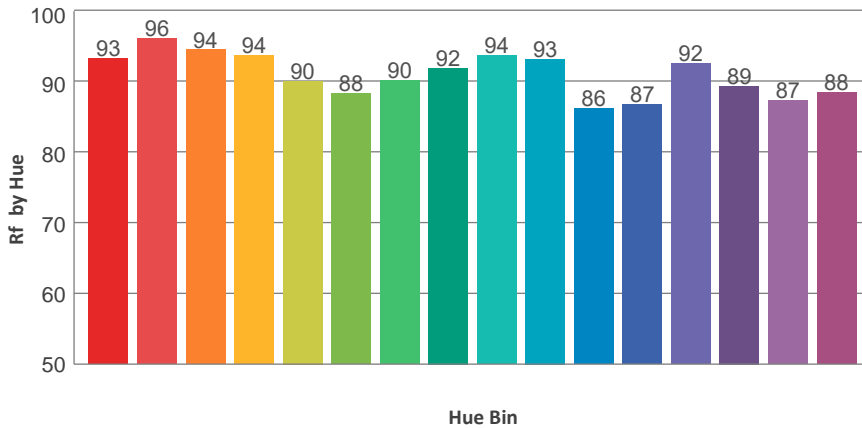
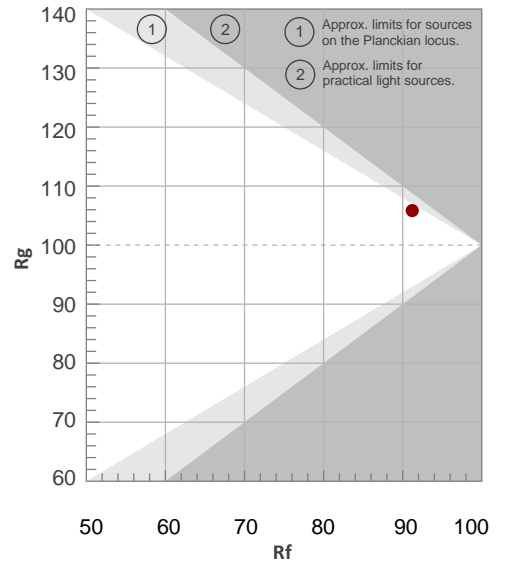
Color Temperature	Color Rendering Index	Red Component	Color Fidelity	Color Gamut	Color Quality Scale	Color Coordinate CIE 1931	Color Coordinate CIE 1931	Color Coordinate	Color Coordinate	Color Diviation from Black
CCT	CRI	CRI R9	TM30 Rf	TM30 Rg	CQS	x	y	u	v	Δuv
4540 K	91.0	86.1	91.2	105.9	93.3	0.362	0.377	0.213	0.333	0.0062

TM30 Details

Rf 91.2
Fidelity Index Rf

Rg 105.9
Gamut Index Rg

Hue Bin	R _f	Graphic shifts (%)	
		Chroma	Hue
1	93	2%	-3%
2	96	0%	-2%
3	94	0%	2%
4	94	0%	3%
5	90	3%	5%
6	88	7%	3%
7	90	6%	-2%
8	92	3%	-4%
9	94	-1%	-3%
10	93	-3%	2%
11	86	0%	9%
12	87	3%	7%
13	92	6%	3%
14	89	6%	4%
15	87	11%	-4%
16	88	5%	-5%



Total Lumen Output: 4586 lm

Color Temperature: 5022 K

CRI: 91.5

TLCI: 89

TM30: 90.7

CQS: 92.9

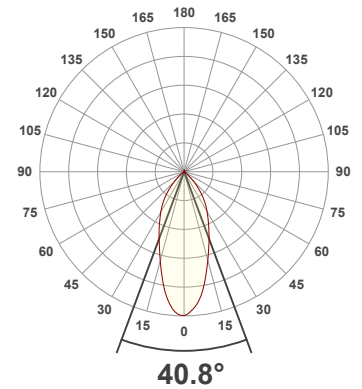
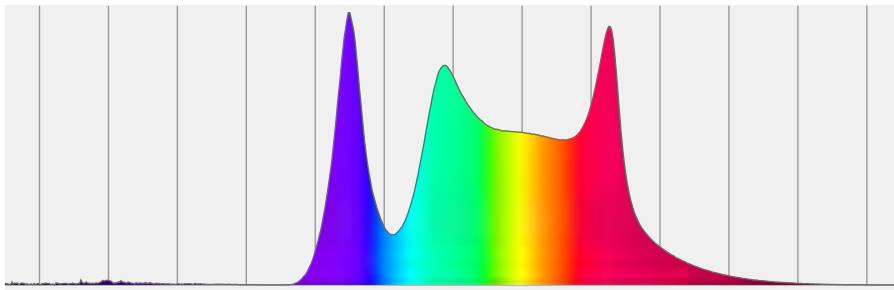
Measurement Date: 8/16/2022

Voltage: 116 V, Current: 0.787 A

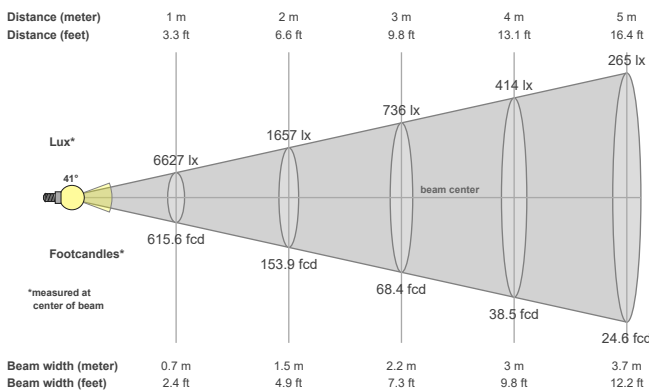
Power: 89.2 W

Efficacy: 51 Lumen/Watt

Spectral distribution
Dominant Wavelength 577



Beam details



Beam angles

Beam angle 50%	Field angle 10%	Cutoff angle 2,5%
40.8°	88.7°	104.5°

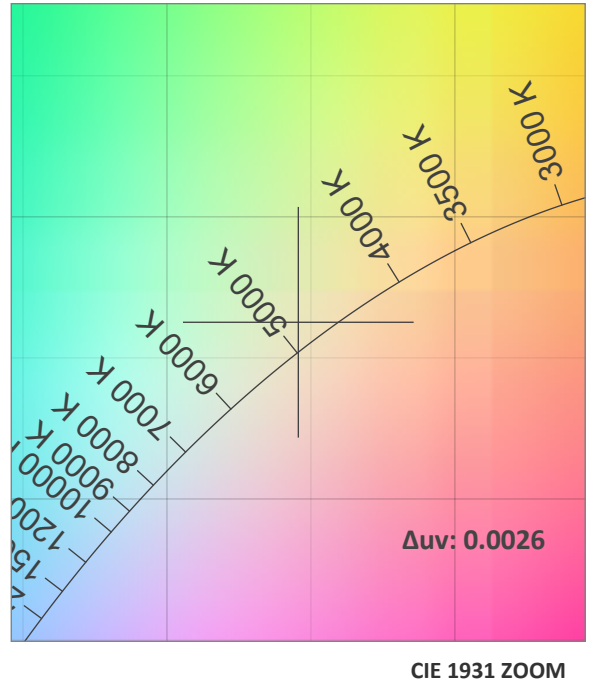
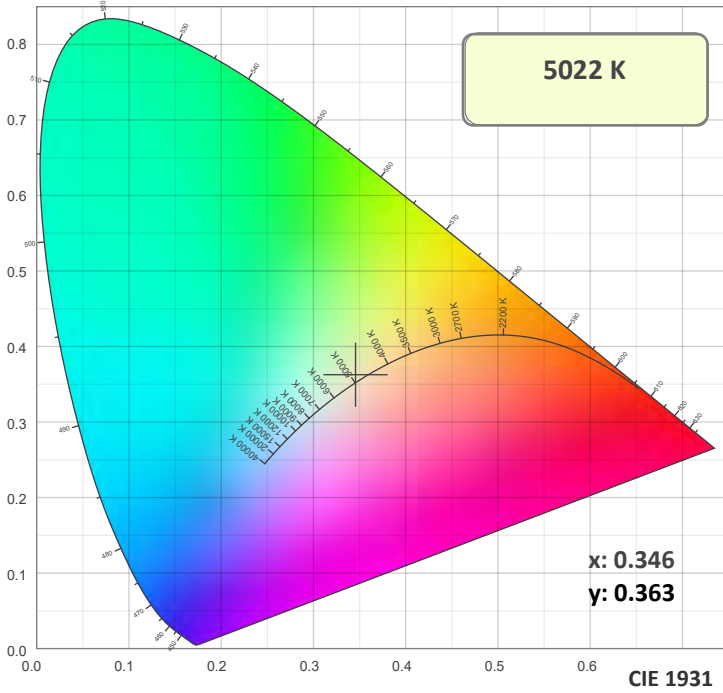
Beam intensities

Peak intensity	Int. ratio in 120° cone	Int. ratio in 90° cone
6628 cd	99.7%	94.1%

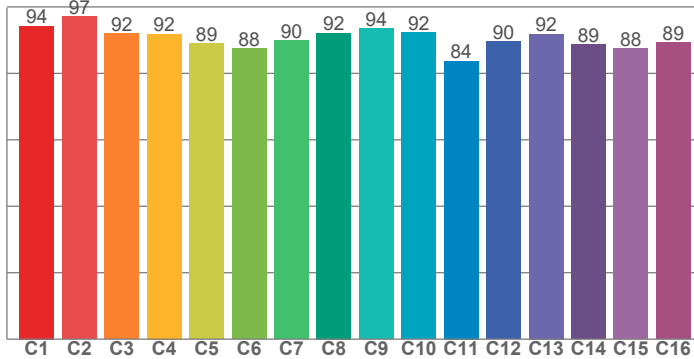
Beam Intensities from 1-20m

M	1	2	3	4	5	6	7	8	9	10	11	12	13	14	15	16	17	18	19	20
FT	3.3	6.6	9.8	13.1	16.4	19.7	23	26.2	29.5	32.8	36.1	39.4	42.7	45.9	49.2	52.5	55.8	59.1	62.3	65.6
LX	6627	1657	736	414	265	184	135	104	82	66	55	46	39	34	29	26	23	20	18	17
FC	615.6	153.9	68.4	38.5	24.6	17.1	12.6	9.6	7.6	6.2	5.1	4.3	3.6	3.1	2.7	2.4	2.1	1.9	1.7	1.5

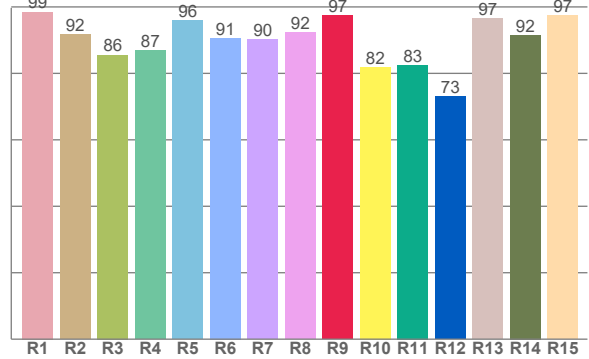
Color Details



TM30: 90.7



CRI: 91.5 (R1-R8)



CRI R values, only R1-R8 are used to calculate final CRI value

R1	R2	R3	R4	R5	R6	R7	R8	R9	R10	R11	R12	R13	R14	R15
98.5	91.8	85.6	86.9	95.9	90.6	90.2	92.4	97.5	81.9	82.5	73.1	96.6	91.6	97.4

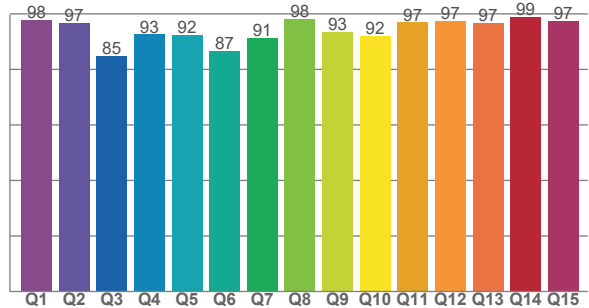
TM30 C Values, 16 binned values out of total of 99 C values

C1	C2	C3	C4	C5	C6	C7	C8	C9	C10	C11	C12	C13	C14	C15	C16
94.3	97.2	92.1	91.8	89.0	87.6	89.8	92.2	93.6	92.3	83.7	89.6	91.9	88.6	87.6	89.3

CQS Q Values

Q1	Q2	Q3	Q4	Q5	Q6	Q7	Q8	Q9	Q10	Q11	Q12	Q13	Q14	Q15
97.8	96.6	85.0	92.6	92.3	86.6	91.4	98.1	93.4	92.1	96.9	97.4	96.6	98.8	97.3

CQS: 92.9



Color Parameters

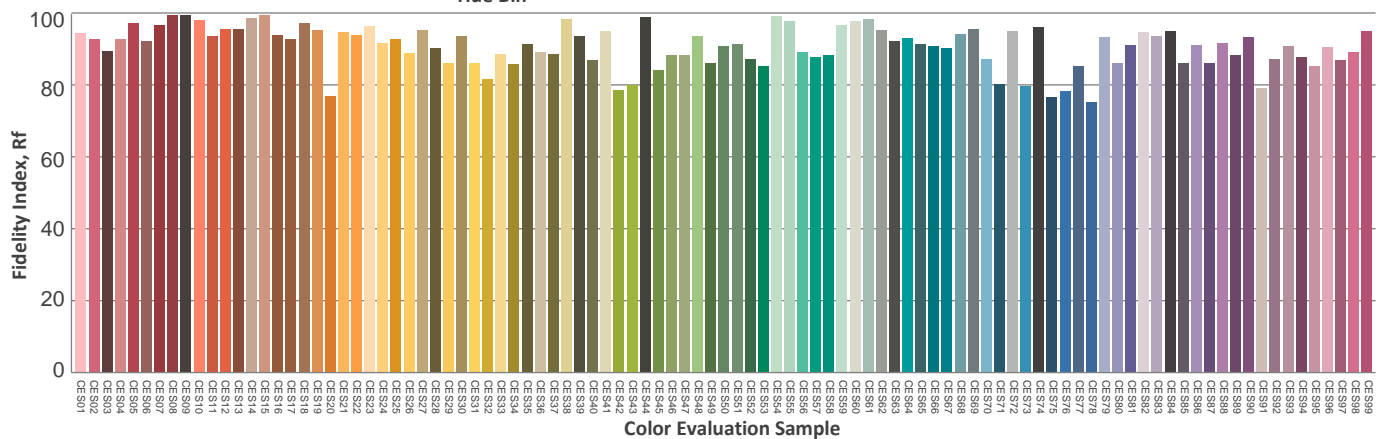
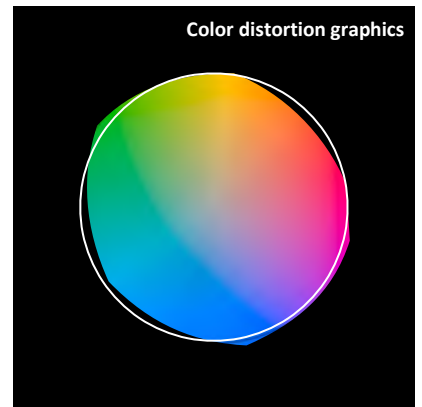
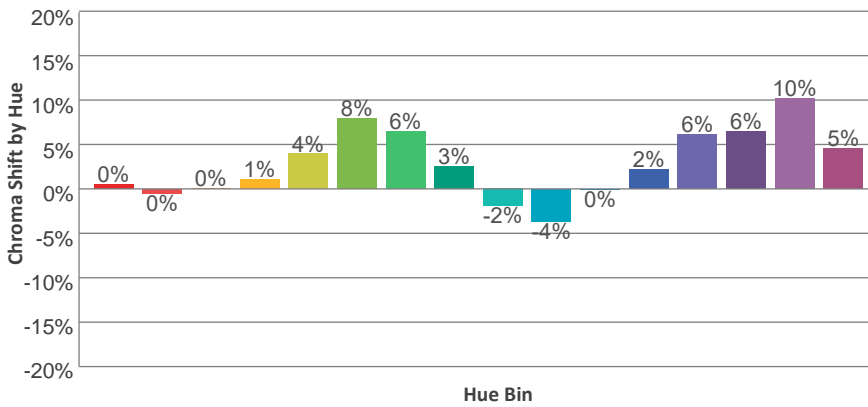
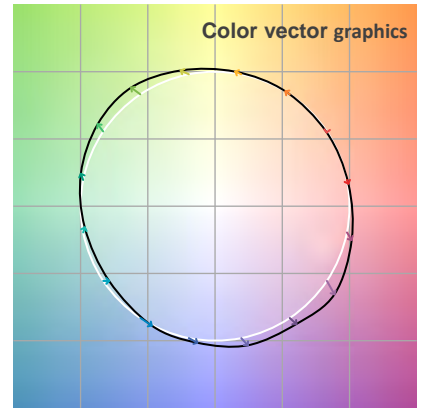
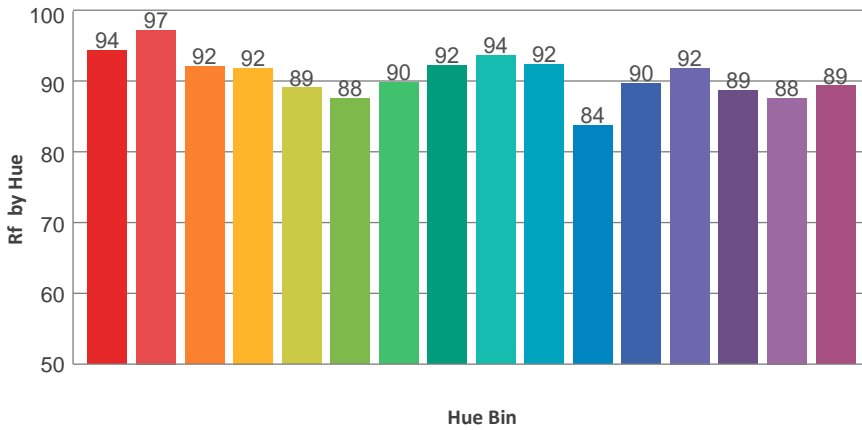
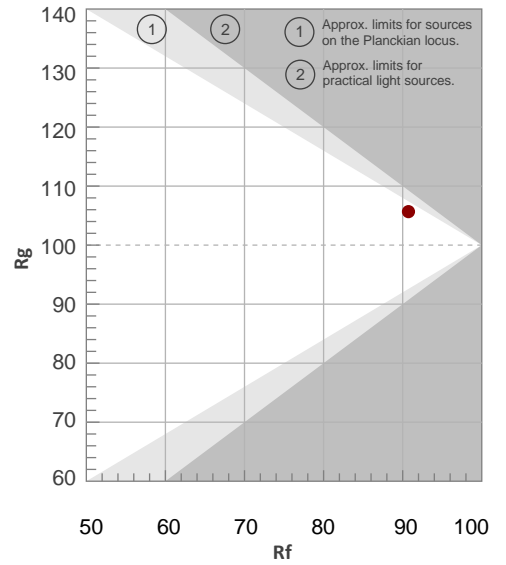
Color Temperature	Color Rendering Index	Red Component	Color Fidelity	Color Gamut	Color Quality Scale	Color Coordinate CIE 1931	Color Coordinate CIE 1931	Color Coordinate	Color Coordinate	Color Diviation from Black
CCT	CRI	CRI R9	TM30 Rf	TM30 Rg	CQS	x	y	u	v	Δuv
5022 K	91.5	97.5	90.7	105.7	92.9	0.346	0.363	0.208	0.327	0.0026

TM30 Details

Rf 90.7
Fidelity Index Rf

Rg 105.7
Gamut Index Rg

Hue Bin	R _f	Graphic shifts (%)	
		Chroma	Hue
1	94	0%	-3%
2	97	0%	-1%
3	92	0%	4%
4	92	1%	5%
5	89	4%	5%
6	88	8%	3%
7	90	6%	-2%
8	92	3%	-4%
9	94	-2%	-3%
10	92	-4%	2%
11	84	0%	10%
12	90	2%	7%
13	92	6%	4%
14	89	6%	2%
15	88	10%	-5%
16	89	5%	-5%



Total Lumen Output: 4482 lm

Color Temperature: 5603 K

CRI: 90.2

TLCI: 87

TM30: 91.0

CQS: 93.0

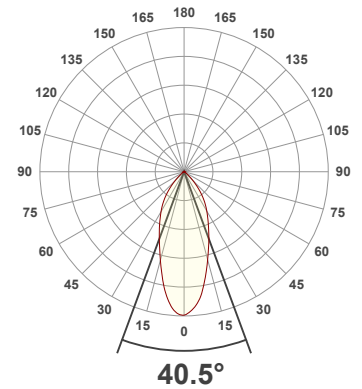
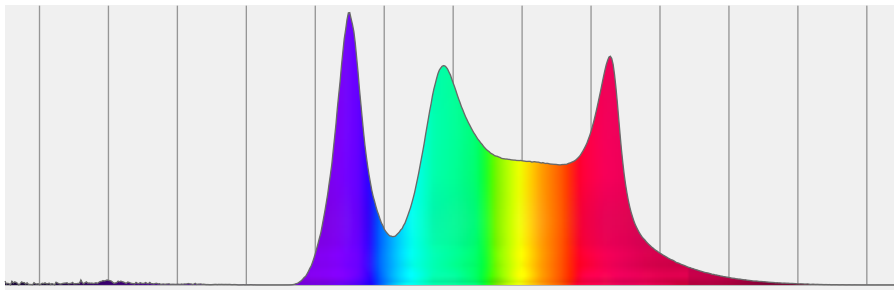
Measurement Date: 8/16/2022

Voltage: 115 V, Current: 0.818 A

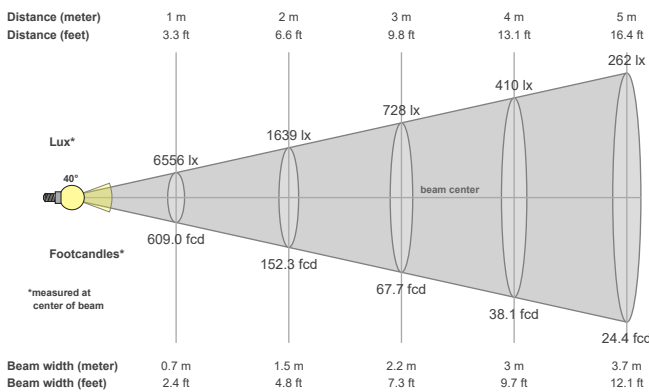
Power: 91.9 W

Efficacy: 49 Lumen/Watt

Spectral distribution
Dominant Wavelength 573



Beam details



Beam angles

Beam angle 50%	Field angle 10%	Cutoff angle 2,5%
40.5°	88.4°	104.2°

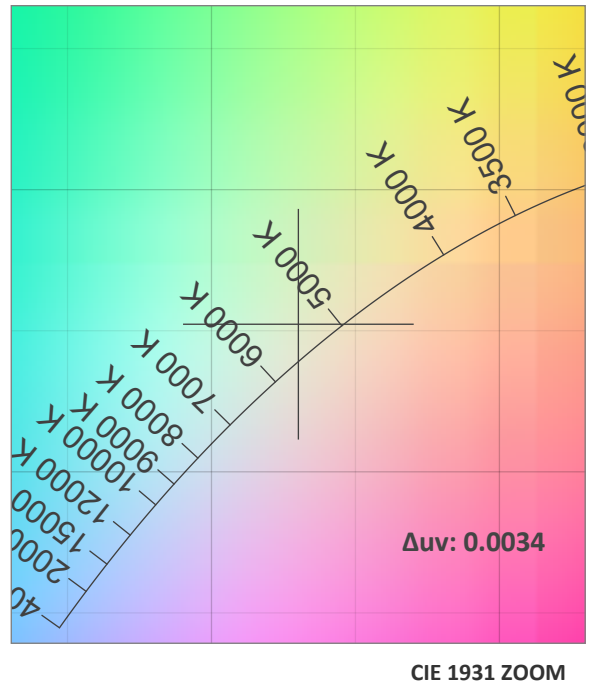
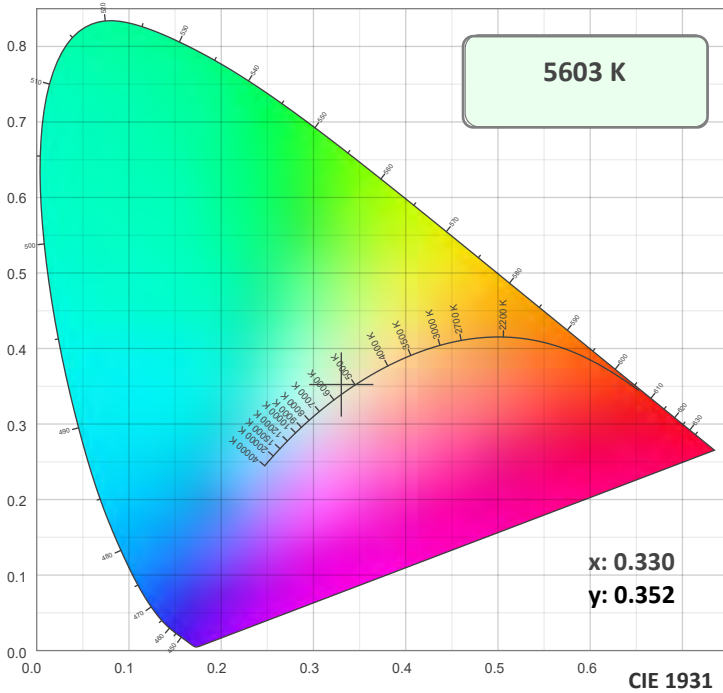
Beam intensities

Peak intensity	Int. ratio in 120° cone	Int. ratio in 90° cone
6558 cd	99.9%	94.3%

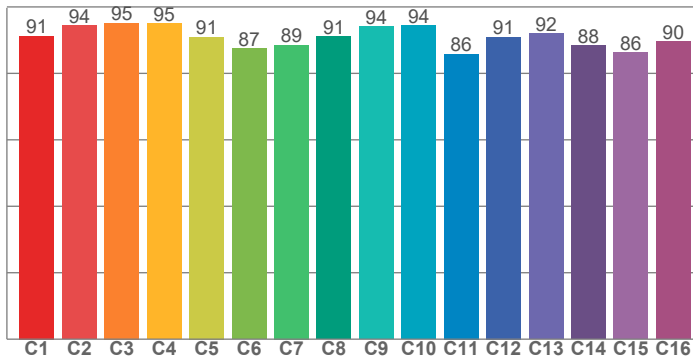
Beam Intensities from 1-20m

M	1	2	3	4	5	6	7	8	9	10	11	12	13	14	15	16	17	18	19	20
FT	3.3	6.6	9.8	13.1	16.4	19.7	23	26.2	29.5	32.8	36.1	39.4	42.7	45.9	49.2	52.5	55.8	59.1	62.3	65.6
LX	6556	1639	728	410	262	182	134	102	81	66	54	46	39	33	29	26	23	20	18	16
FC	609	152.3	67.7	38.1	24.4	16.9	12.4	9.5	7.5	6.1	5	4.2	3.6	3.1	2.7	2.4	2.1	1.9	1.7	1.5

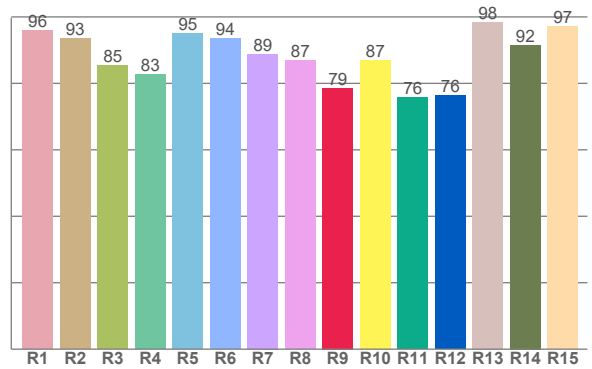
Color Details



TM30: 91.0



CRI: 90.2 (R1-R8)



CRI R values, only R1-R8 are used to calculate final CRI value

R1	R2	R3	R4	R5	R6	R7	R8	R9	R10	R11	R12	R13	R14	R15
95.8	93.5	85.3	82.7	95.0	93.6	88.8	86.9	78.6	87.0	75.7	76.4	98.4	91.5	97.0

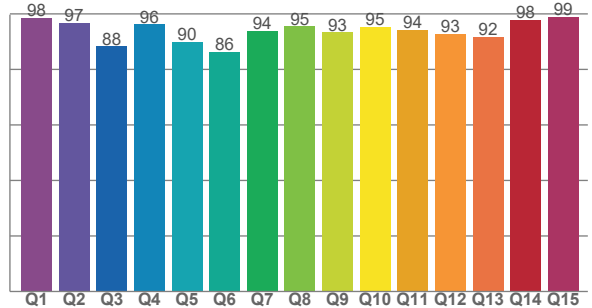
TM30 C Values, 16 binned values out of total of 99 C values

C1	C2	C3	C4	C5	C6	C7	C8	C9	C10	C11	C12	C13	C14	C15	C16
91.2	94.4	95.2	95.0	90.9	87.5	88.6	91.1	94.1	94.5	85.8	90.9	92.0	88.4	86.3	89.6

CQS Q Values

Q1	Q2	Q3	Q4	Q5	Q6	Q7	Q8	Q9	Q10	Q11	Q12	Q13	Q14	Q15
98.4	96.7	88.3	96.2	89.9	86.3	93.8	95.5	93.3	95.3	94.2	92.6	91.6	97.8	98.9

CQS: 93.0



Color Parameters

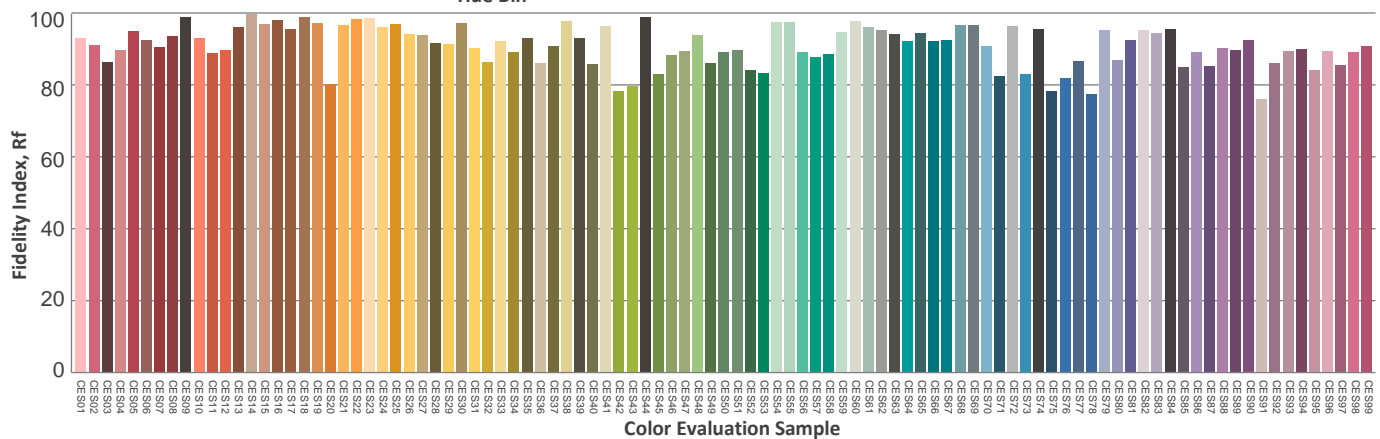
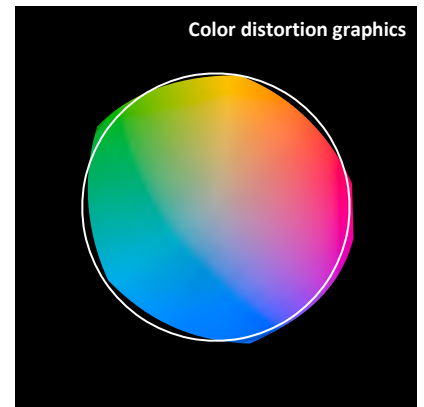
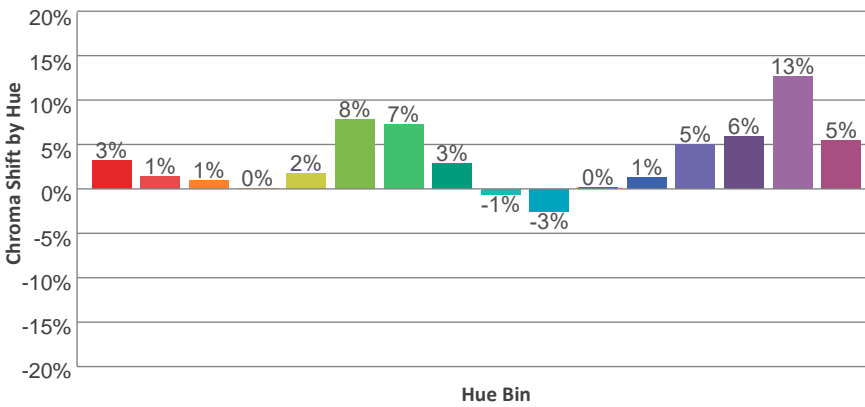
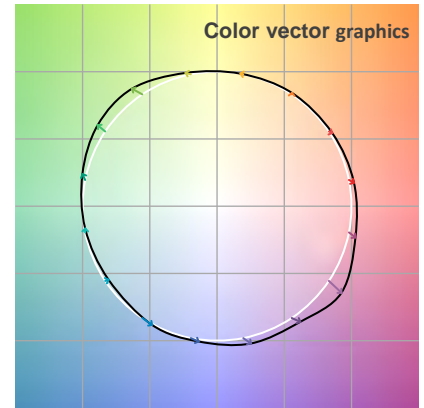
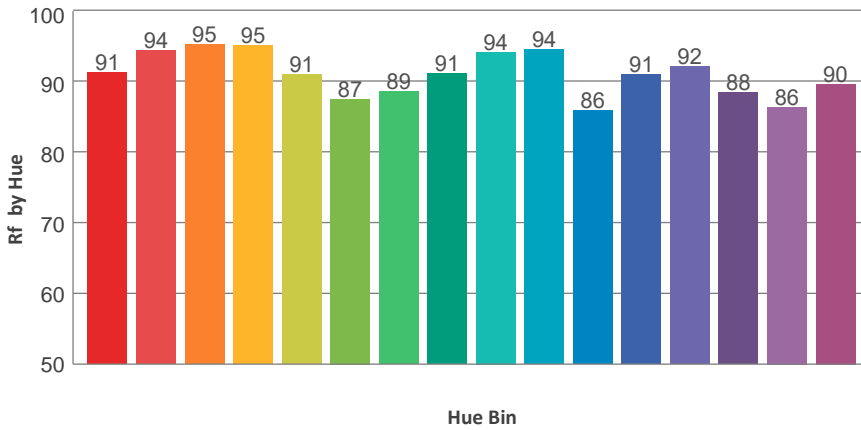
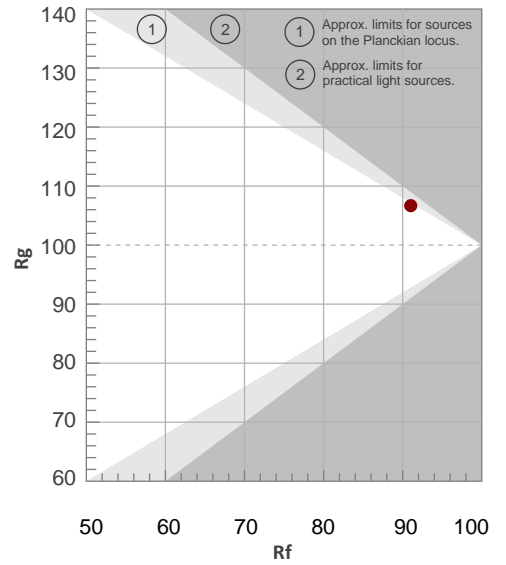
Color Temperature	Color Rendering Index	Red Component	Color Fidelity	Color Gamut	Color Quality Scale	Color Coordinate CIE 1931	Color Coordinate CIE 1931	Color Coordinate	Color Coordinate	Color Diviation from Black
CCT	CRI	CRI R9	TM30 Rf	TM30 Rg	CQS	x	y	u	v	Δuv
5603 K	90.2	78.6	91.0	106.7	93.0	0.330	0.352	0.201	0.322	0.0034

TM30 Details

Rf 91.0
Fidelity Index Rf

Rg 106.7
Gamut Index Rg

Hue Bin	R _f	Graphic shifts (%)	
		Chroma	Hue
1	91	3%	-3%
2	94	1%	-2%
3	95	1%	1%
4	95	0%	2%
5	91	2%	4%
6	87	8%	4%
7	89	7%	-1%
8	91	3%	-4%
9	94	-1%	-3%
10	94	-3%	1%
11	86	0%	9%
12	91	1%	6%
13	92	5%	5%
14	88	6%	4%
15	86	13%	-2%
16	90	5%	-3%



Total Lumen Output: 4380 lm

Color Temperature: 5986 K

CRI: 90.2

TLCI: 88

TM30: 90.8

CQS: 92.9

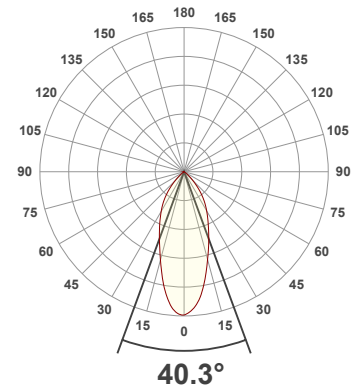
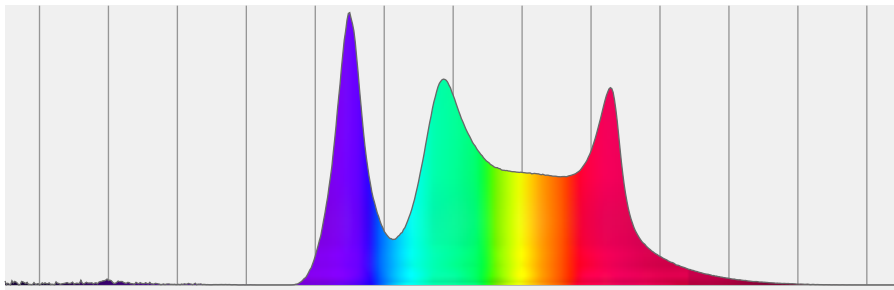
Measurement Date: 8/16/2022

Voltage: 117 V, Current: 0.794 A

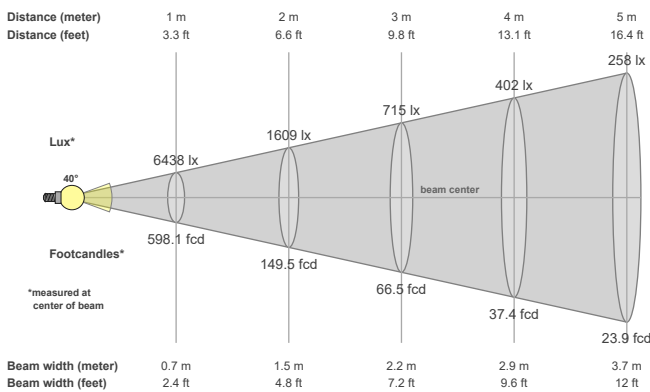
Power: 90.7 W

Efficacy: 48 Lumen/Watt

Spectral distribution
Dominant Wavelength 570



Beam details



Beam angles

Beam angle 50%	Field angle 10%	Cutoff angle 2,5%
40.3°	88.2°	103.9°

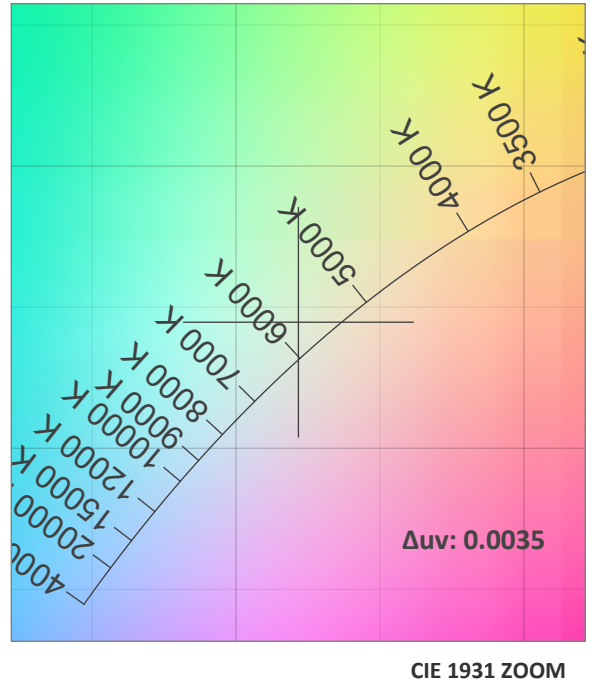
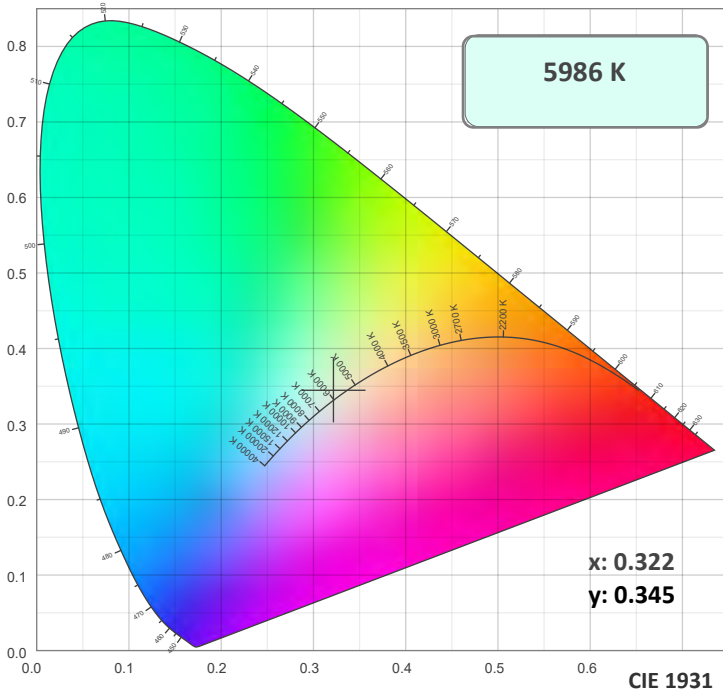
Beam intensities

Peak intensity	Int. ratio in 120° cone	Int. ratio in 90° cone
6451 cd	99.9%	94.5%

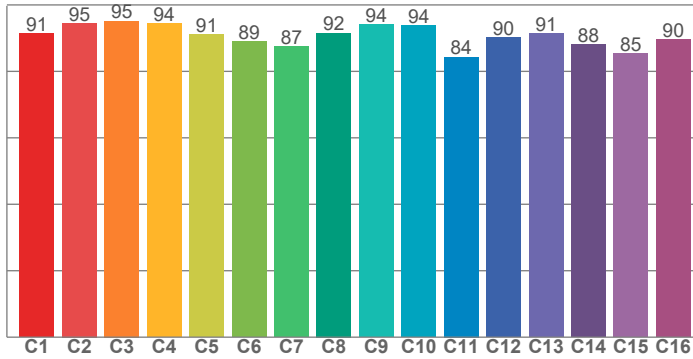
Beam Intensities from 1-20m

M	1	2	3	4	5	6	7	8	9	10	11	12	13	14	15	16	17	18	19	20
FT	3.3	6.6	9.8	13.1	16.4	19.7	23	26.2	29.5	32.8	36.1	39.4	42.7	45.9	49.2	52.5	55.8	59.1	62.3	65.6
LX	6438	1609	715	402	258	179	131	101	79	64	53	45	38	33	29	25	22	20	18	16
FC	598.1	149.5	66.5	37.4	23.9	16.6	12.2	9.3	7.4	6	4.9	4.2	3.5	3.1	2.7	2.3	2.1	1.8	1.7	1.5

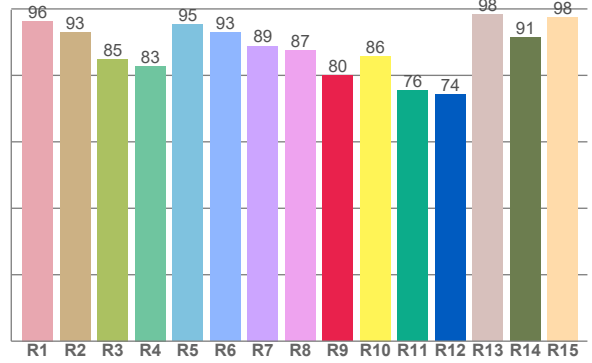
Color Details



TM30: 90.8



CRI: 90.2 (R1-R8)



CRI R values, only R1-R8 are used to calculate final CRI value

R1	R2	R3	R4	R5	R6	R7	R8	R9	R10	R11	R12	R13	R14	R15
96.3	93.0	84.9	82.8	95.3	92.8	88.9	87.5	79.9	85.9	75.5	74.2	98.4	91.4	97.6

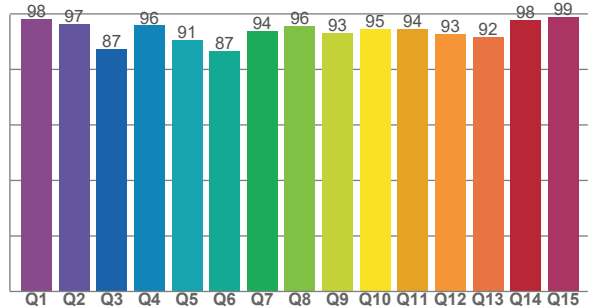
TM30 C Values, 16 binned values out of total of 99 C values

C1	C2	C3	C4	C5	C6	C7	C8	C9	C10	C11	C12	C13	C14	C15	C16
91.4	94.5	95.2	94.5	91.1	88.9	87.5	91.6	94.0	93.9	84.3	90.1	91.5	88.1	85.4	89.7

CQS Q Values

Q1	Q2	Q3	Q4	Q5	Q6	Q7	Q8	Q9	Q10	Q11	Q12	Q13	Q14	Q15
98.3	96.5	87.3	95.8	90.7	86.8	93.7	95.5	93.0	94.7	94.5	92.8	91.6	98.0	99.0

CQS: 92.9



Color Parameters

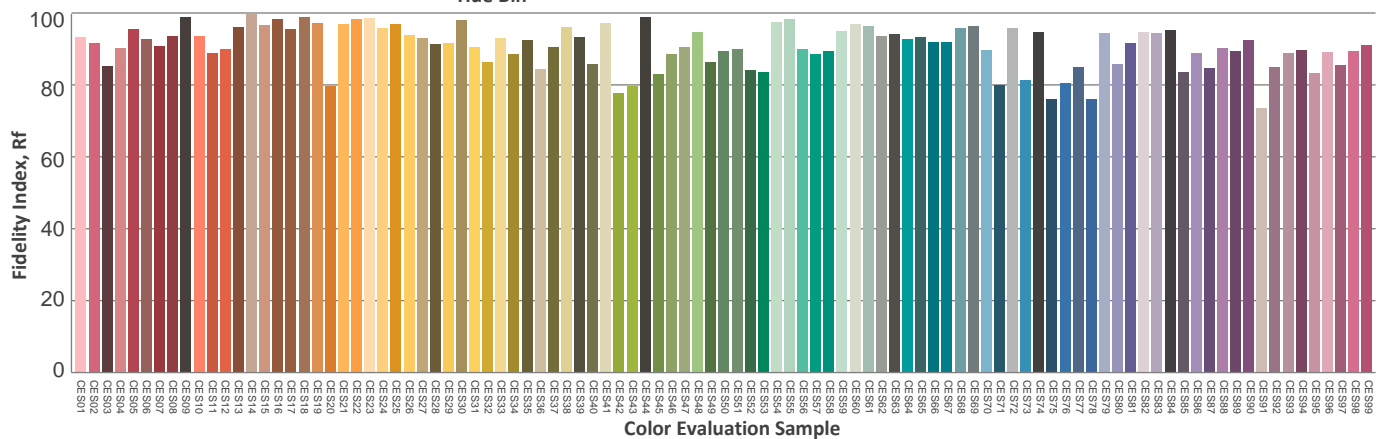
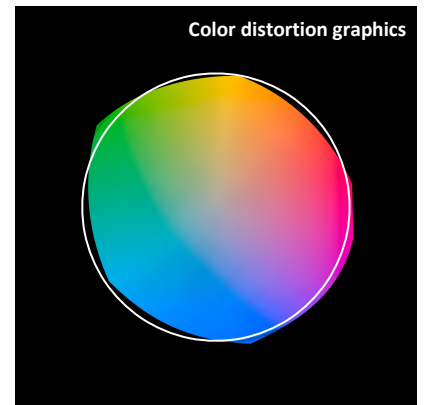
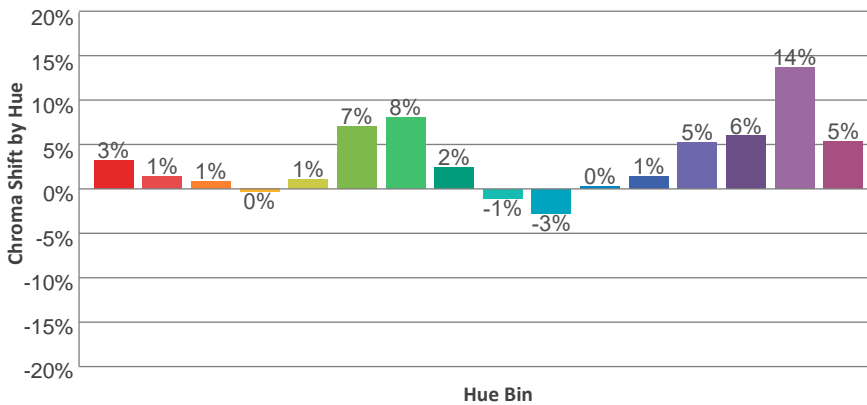
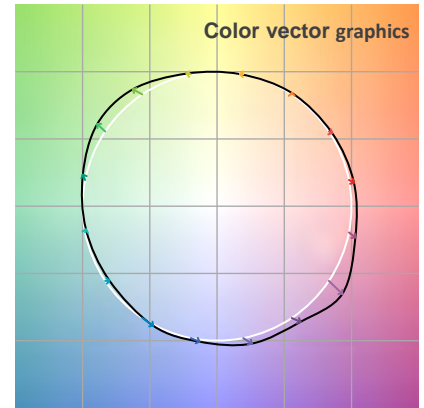
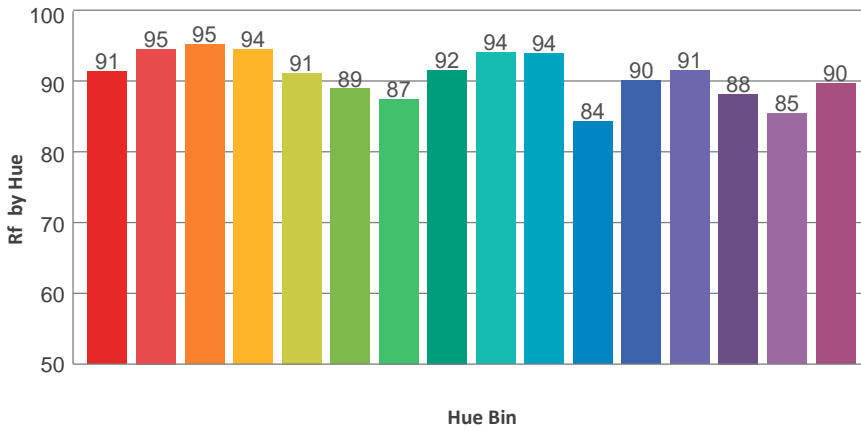
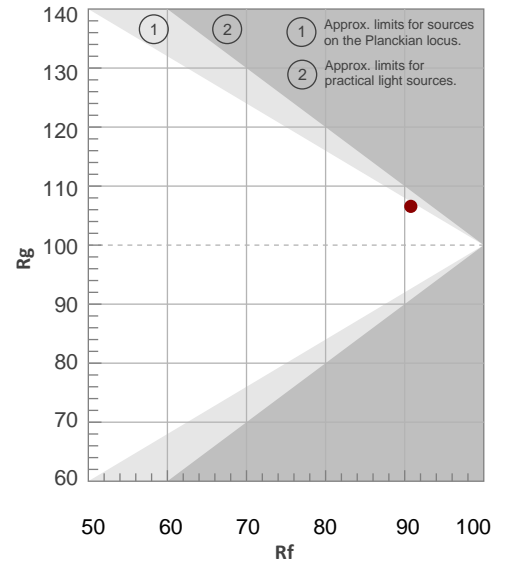
Color Temperature	Color Rendering Index	Red Component	Color Fidelity	Color Gamut	Color Quality Scale	Color Coordinate CIE 1931	Color Coordinate CIE 1931	Color Coordinate	Color Coordinate	Color Diviation from Black
CCT	CRI	CRI R9	TM30 Rf	TM30 Rg	CQS	x	y	u	v	Δuv
5986 K	90.2	79.9	90.8	106.6	92.9	0.322	0.345	0.198	0.319	0.0035

TM30 Details

Rf 90.8
Fidelity Index Rf

Rg 106.6
Gamut Index Rg

Hue Bin	R _f	Graphic shifts (%)	
		Chroma	Hue
1	91	3%	-3%
2	95	1%	-2%
3	95	1%	1%
4	94	0%	2%
5	91	1%	3%
6	89	7%	4%
7	87	8%	-1%
8	92	2%	-4%
9	94	-1%	-2%
10	94	-3%	1%
11	84	0%	10%
12	90	1%	7%
13	91	5%	5%
14	88	6%	4%
15	85	14%	-2%
16	90	5%	-3%



Total Lumen Output: 4346 lm

Color Temperature: 6507 K

CRI: 91.3

TLCI: 90

TM30: 91.0

CQS: 93.4

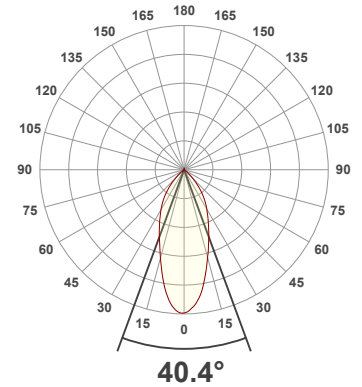
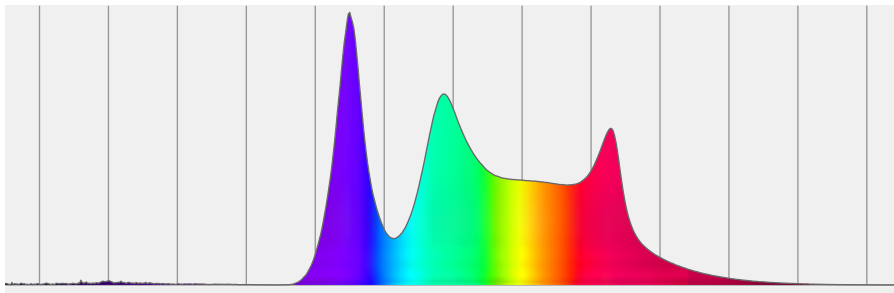
Measurement Date: 8/16/2022

Voltage: 117 V, Current: 0.787 A

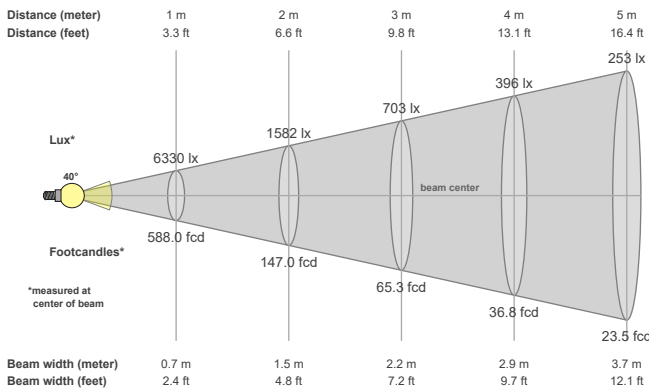
Power: 89.9 W

Efficacy: 48 Lumen/Watt

Spectral distribution
Dominant Wavelength 544



Beam details



Beam angles

Beam angle 50%	Field angle 10%	Cutoff angle 2,5%
40.4°	88.5°	104.3°

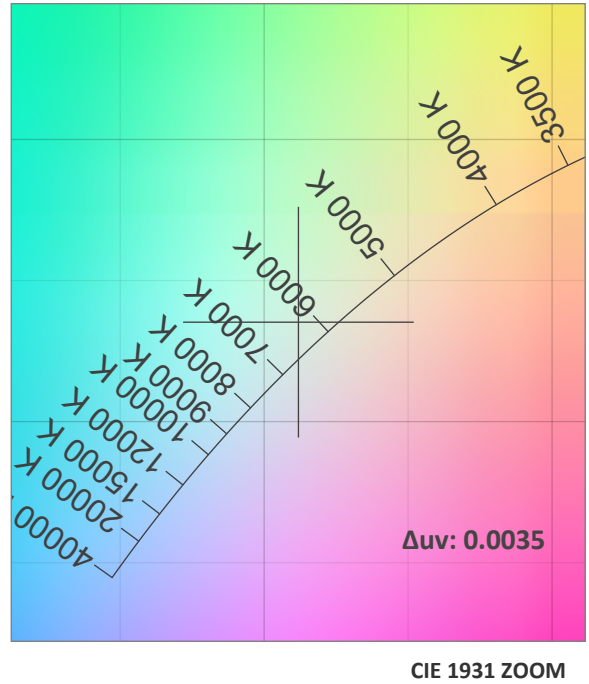
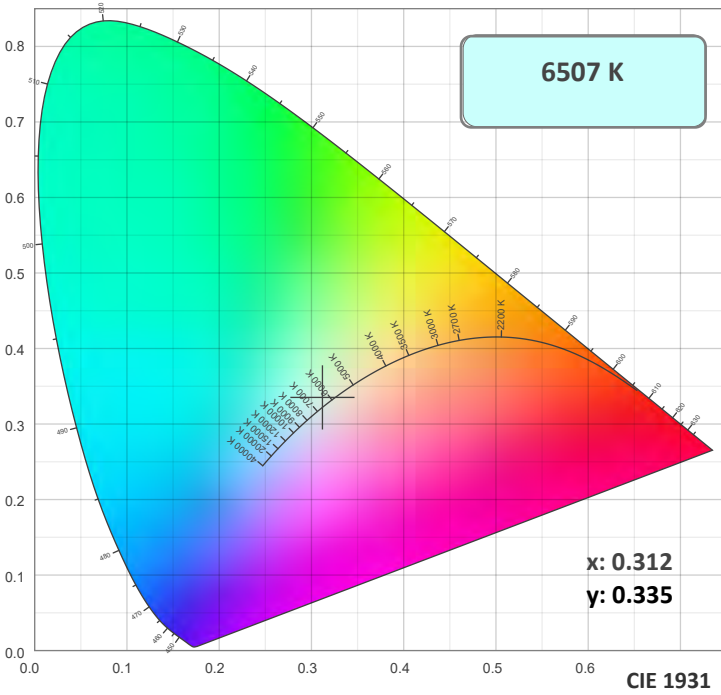
Beam intensities

Peak intensity	Int. ratio in 120° cone	Int. ratio in 90° cone
6336 cd	99.6%	94.0%

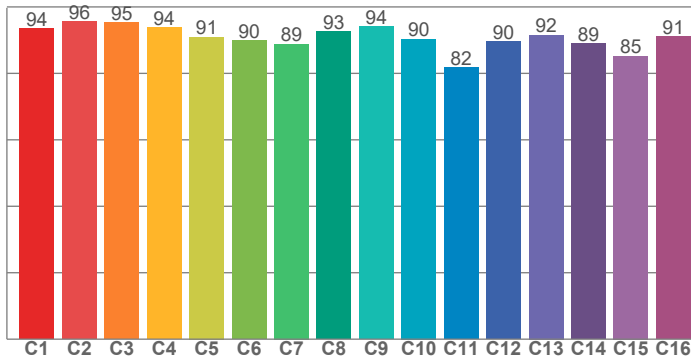
Beam Intensities from 1-20m

M	1	2	3	4	5	6	7	8	9	10	11	12	13	14	15	16	17	18	19	20
FT	3.3	6.6	9.8	13.1	16.4	19.7	23	26.2	29.5	32.8	36.1	39.4	42.7	45.9	49.2	52.5	55.8	59.1	62.3	65.6
LX	6330	1582	703	396	253	176	129	99	78	63	52	44	37	32	28	25	22	20	18	16
FC	588	147	65.3	36.8	23.5	16.3	12	9.2	7.3	5.9	4.9	4.1	3.5	3	2.6	2.3	2	1.8	1.6	1.5

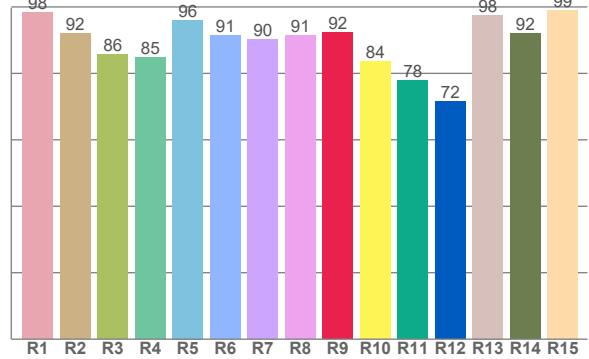
Color Details



TM30: 91.0



CRI: 91.3 (R1-R8)



CRI R values, only R1-R8 are used to calculate final CRI value

R1	R2	R3	R4	R5	R6	R7	R8	R9	R10	R11	R12	R13	R14	R15
98.3	92.0	85.7	84.8	96.0	91.5	90.2	91.5	92.3	83.5	77.8	71.6	97.6	92.0	99.0

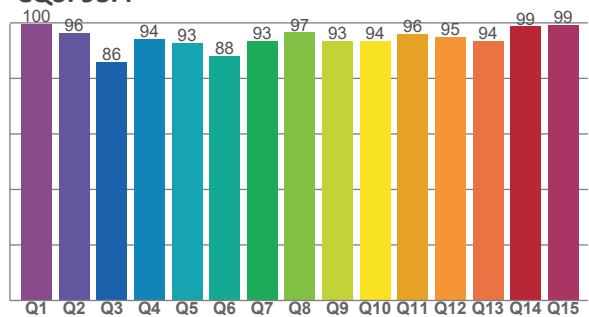
TM30 C Values, 16 binned values out of total of 99 C values

C1	C2	C3	C4	C5	C6	C7	C8	C9	C10	C11	C12	C13	C14	C15	C16
93.6	95.7	95.2	93.8	90.9	89.9	88.8	92.7	94.1	90.4	81.7	89.6	91.6	88.9	85.2	91.1

CQS Q Values

Q1	Q2	Q3	Q4	Q5	Q6	Q7	Q8	Q9	Q10	Q11	Q12	Q13	Q14	Q15
99.7	96.5	86.0	94.1	92.8	88.1	93.4	96.6	93.4	93.6	96.0	94.8	93.5	98.7	99.3

CQS: 93.4



Color Parameters

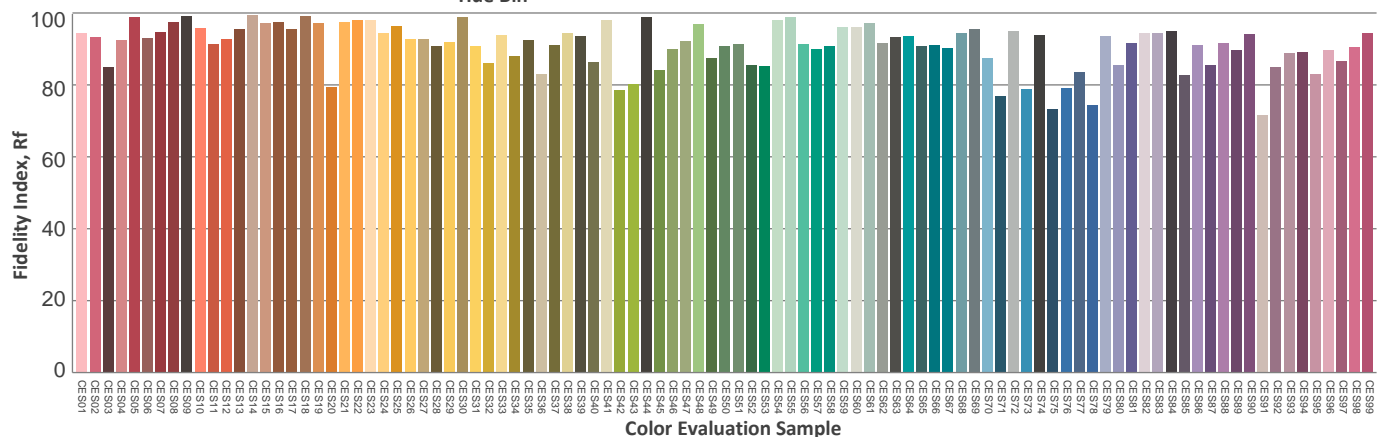
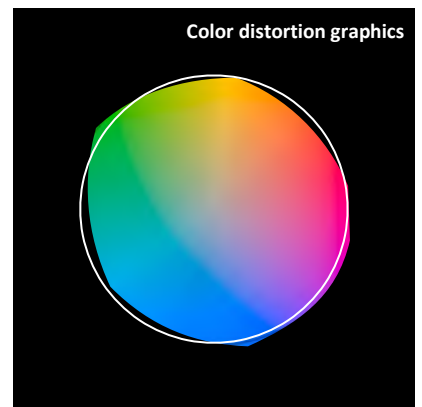
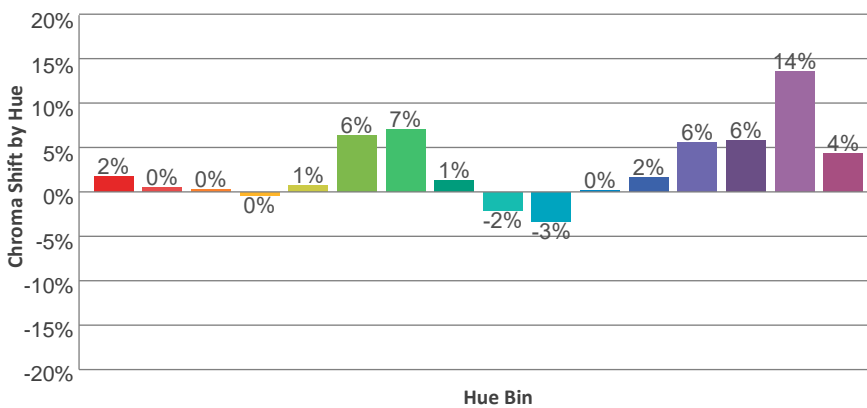
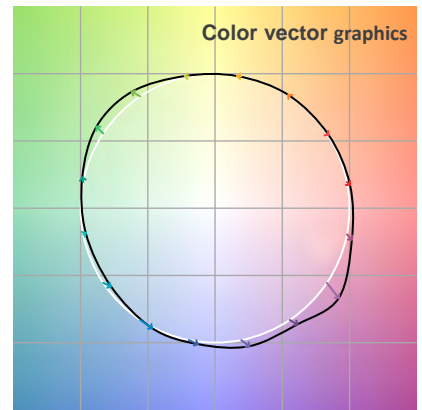
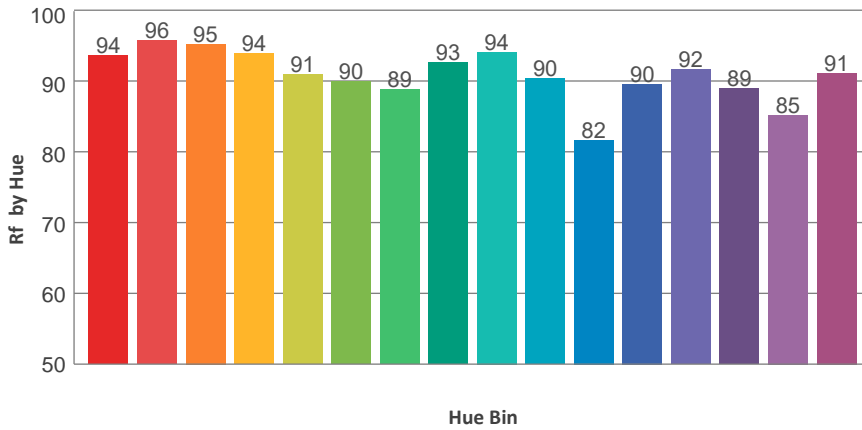
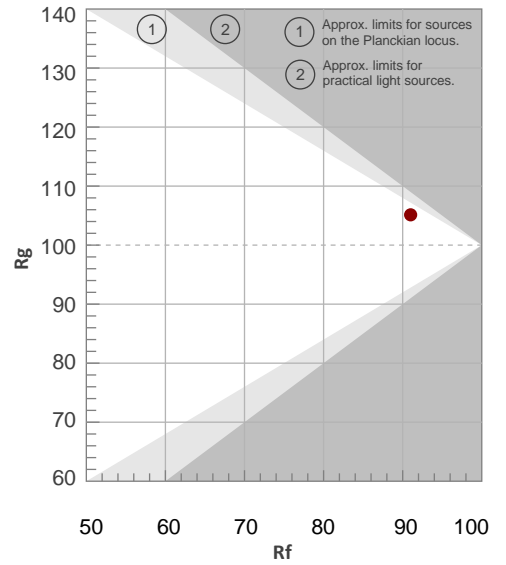
Color Temperature	Color Rendering Index	Red Component	Color Fidelity	Color Gamut	Color Quality Scale	Color Coordinate CIE 1931	Color Coordinate CIE 1931	Color Coordinate	Color Coordinate	Color Diviation from Black
CCT	CRI	CRI R9	TM30 Rf	TM30 Rg	CQS	x	y	u	v	Δuv
6507 K	91.3	92.3	91.0	105.1	93.4	0.312	0.335	0.195	0.314	0.0035

TM30 Details

Rf 91.0
Fidelity Index Rf

Rg 105.1
Gamut Index Rg

Hue Bin	R _f	Graphic shifts (%)	
		Chroma	Hue
1	94	2%	-3%
2	96	0%	-2%
3	95	0%	1%
4	94	0%	3%
5	91	1%	3%
6	90	6%	3%
7	89	7%	-1%
8	93	1%	-3%
9	94	-2%	-1%
10	90	-3%	5%
11	82	0%	11%
12	90	2%	7%
13	92	6%	5%
14	89	6%	3%
15	85	14%	-5%
16	91	4%	-3%



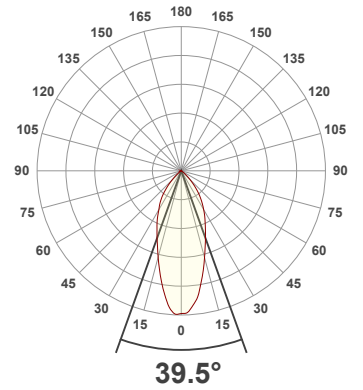
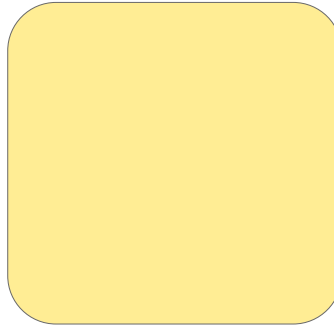
Total Lumen Output: 651 lm

Voltage: 117 V, Current: 0.000 A

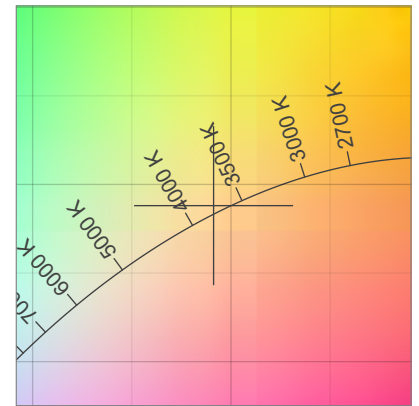
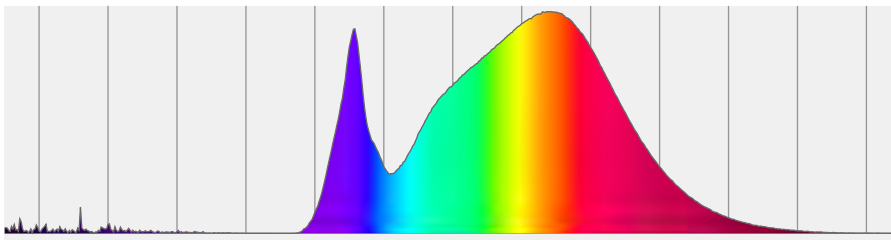
Power: - W

Efficacy: n/a Lumen/Watt

Measurement Date: 8/23/2022

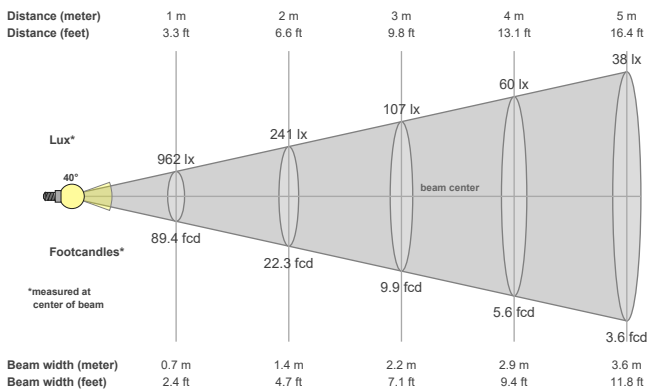


Spectral distribution



Dominant Wavelength	Color coordinate cie 1931	Color coordinate cie 1931	Color coordinate	Color coordinate
nm	x	y	u	v
581	0.391	0.388	0.228	0.339

Beam details



Beam angles

Beam angle 50%	Field angle 10%	Cutoff angle 2,5%
39.5°	88.3°	103.6°

Beam intensities

Peak intensity	Int. ratio in 120° cone	Int. ratio in 90° cone
966 cd	99.9%	94.5%

Beam Intensities from 1-20m

M	1	2	3	4	5	6	7	8	9	10	11	12	13	14	15	16	17	18	19	20
FT	3.3	6.6	9.8	13.1	16.4	19.7	23	26.2	29.5	32.8	36.1	39.4	42.7	45.9	49.2	52.5	55.8	59.1	62.3	65.6
LX	962	241	107	60	38	27	20	15	12	10	8	7	6	5	4	4	3	3	3	2
FC	89.4	22.3	9.9	5.6	3.6	2.5	1.8	1.4	1.1	0.9	0.7	0.6	0.5	0.5	0.4	0.3	0.3	0.3	0.2	0.2

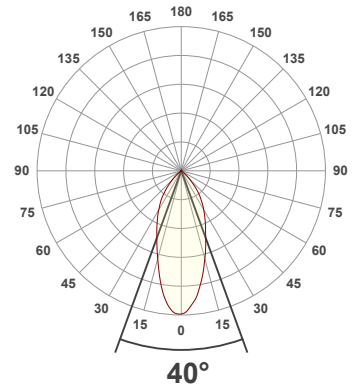
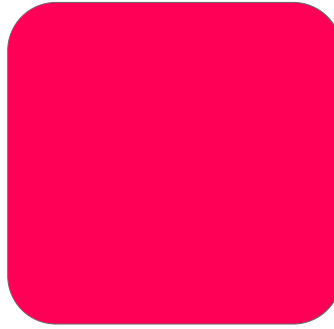
Total Lumen Output: 1286 lm

Voltage: 116 V, Current: 0.345 A

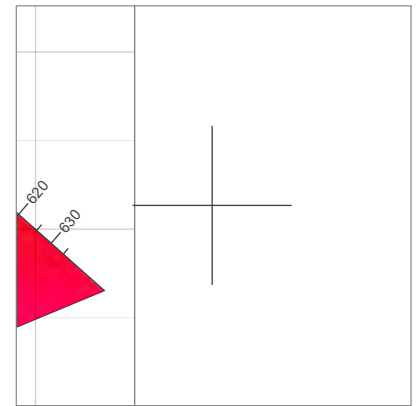
Power: 36.7 W

Efficacy: 35 Lumen/Watt

Measurement Date: 8/15/2022

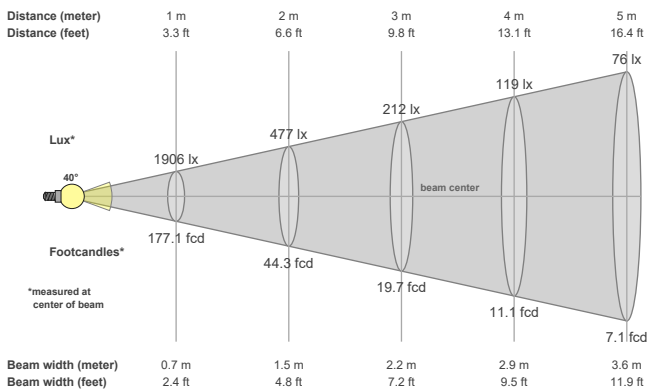


Spectral distribution



Dominant Wavelength	Color coordinate cie 1931	Color coordinate cie 1931	Color coordinate	Color coordinate
nm	x	y	u	v
616	0.789	0.313	0.609	0.363

Beam details



Beam angles

Beam angle 50%	Field angle 10%	Cutoff angle 2,5%
40°	87.6°	103.1°

Beam intensities

Peak intensity	Int. ratio in 120° cone	Int. ratio in 90° cone
1913 cd	99.8%	94.6%

Beam Intensities from 1-20m

M	1	2	3	4	5	6	7	8	9	10	11	12	13	14	15	16	17	18	19	20
FT	3.3	6.6	9.8	13.1	16.4	19.7	23	26.2	29.5	32.8	36.1	39.4	42.7	45.9	49.2	52.5	55.8	59.1	62.3	65.6
LX	1906	477	212	119	76	53	39	30	24	19	16	13	11	10	8	7	7	6	5	5
FC	177.1	44.3	19.7	11.1	7.1	4.9	3.6	2.8	2.2	1.8	1.5	1.2	1	0.9	0.8	0.7	0.6	0.5	0.5	0.4

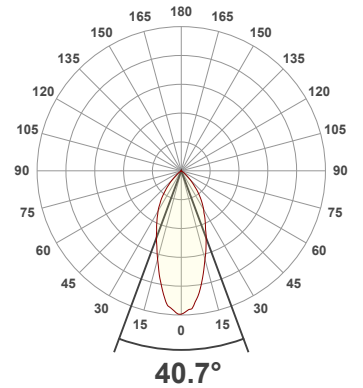
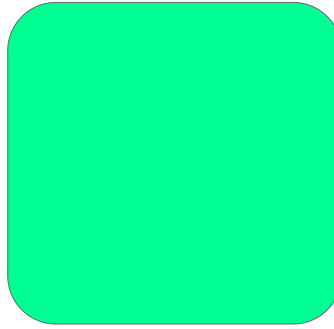
Total Lumen Output: 2323 lm

Voltage: 116 V, Current: 0.442 A

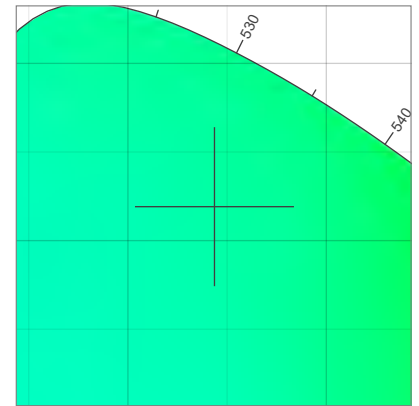
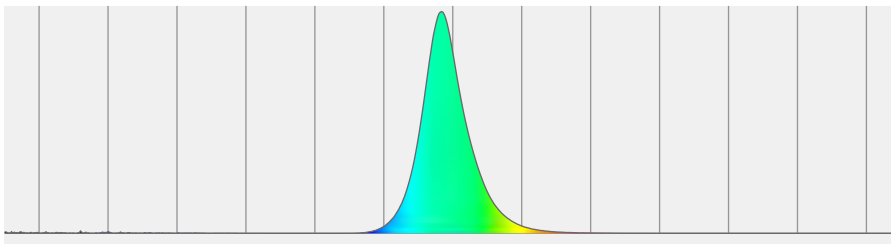
Power: 49.2 W

Efficacy: 47 Lumen/Watt

Measurement Date: 8/15/2022

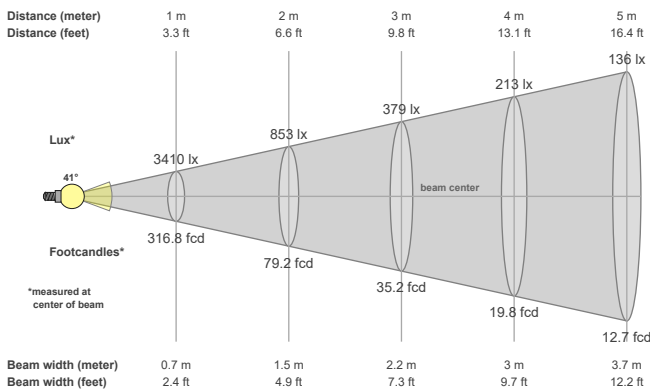


Spectral distribution



Dominant Wavelength	Color coordinate cie 1931	Color coordinate cie 1931	Color coordinate	Color coordinate
nm	x	y	u	v
523	0.144	0.719	0.051	0.380

Beam details



Beam angles

Beam angle 50%	Field angle 10%	Cutoff angle 2,5%
40.7°	88.1°	104.4°

Beam intensities

Peak intensity	Int. ratio in 120° cone	Int. ratio in 90° cone
3410 cd	99.6%	94.1%

Beam Intensities from 1-20m

M	1	2	3	4	5	6	7	8	9	10	11	12	13	14	15	16	17	18	19	20
FT	3.3	6.6	9.8	13.1	16.4	19.7	23	26.2	29.5	32.8	36.1	39.4	42.7	45.9	49.2	52.5	55.8	59.1	62.3	65.6
LX	3410	853	379	213	136	95	70	53	42	34	28	24	20	17	15	13	12	11	9	9
FC	316.8	79.2	35.2	19.8	12.7	8.8	6.5	5	3.9	3.2	2.6	2.2	1.9	1.6	1.4	1.2	1.1	1	0.9	0.8

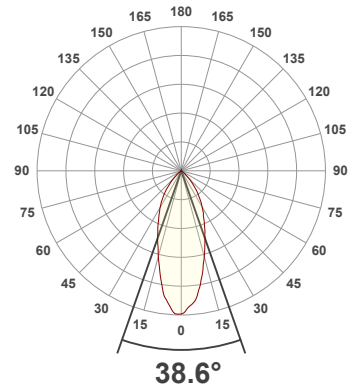
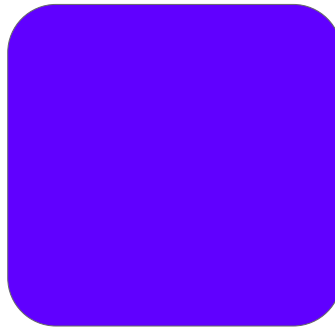
Total Lumen Output: 406 lm

Voltage: 116 V, Current: 0.399 A

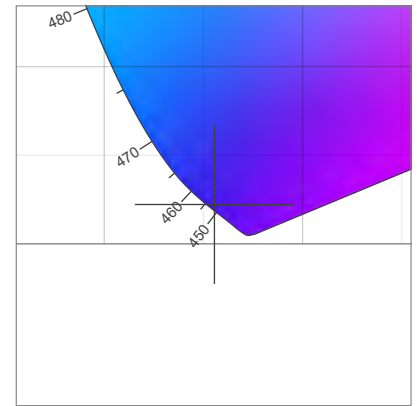
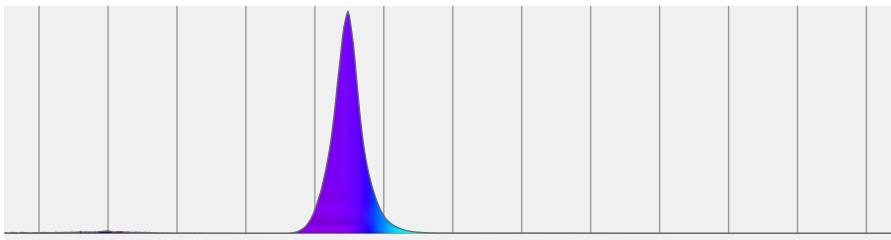
Power: 43.6 W

Efficacy: 9 Lumen/Watt

Measurement Date: 8/15/2022

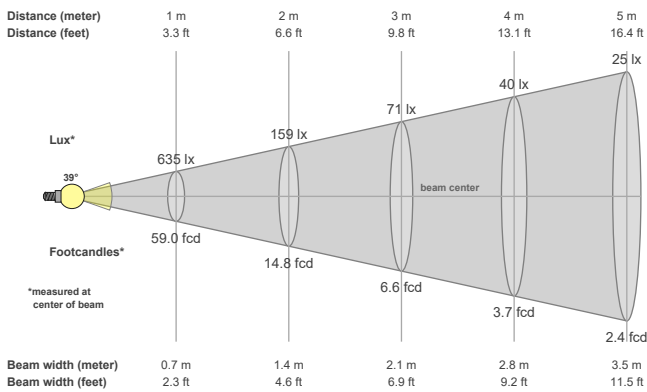


Spectral distribution



Dominant Wavelength	Color coordinate cie 1931	Color coordinate cie 1931	Color coordinate	Color coordinate
nm	x	y	u	v
452	0.156	0.022	0.211	0.045

Beam details



Beam angles

Beam angle 50%	Field angle 10%	Cutoff angle 2,5%
38.6°	86.2°	102.7°

Beam intensities

Peak intensity	Int. ratio in 120° cone	Int. ratio in 90° cone
637 cd	99.7%	94.7%

Beam Intensities from 1-20m

M	1	2	3	4	5	6	7	8	9	10	11	12	13	14	15	16	17	18	19	20
FT	3.3	6.6	9.8	13.1	16.4	19.7	23	26.2	29.5	32.8	36.1	39.4	42.7	45.9	49.2	52.5	55.8	59.1	62.3	65.6
LX	635	159	71	40	25	18	13	10	8	6	5	4	4	3	3	2	2	2	2	2
FC	59	14.8	6.6	3.7	2.4	1.6	1.2	0.9	0.7	0.6	0.5	0.4	0.3	0.3	0.3	0.2	0.2	0.2	0.2	0.1

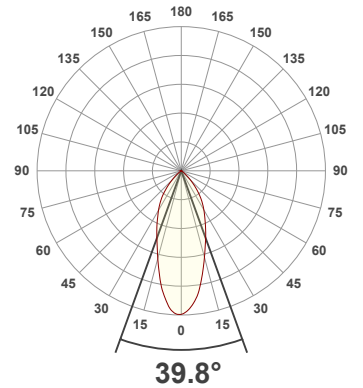
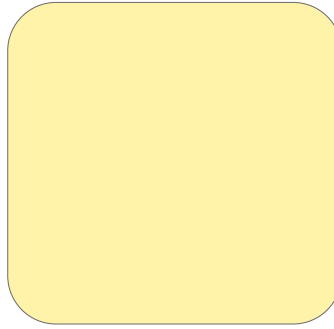
Total Lumen Output: 4404 lm

Voltage: 116 V, Current: 0.754 A

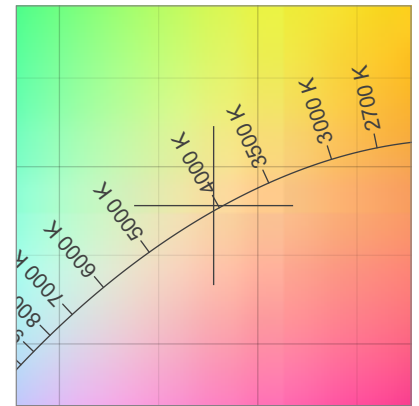
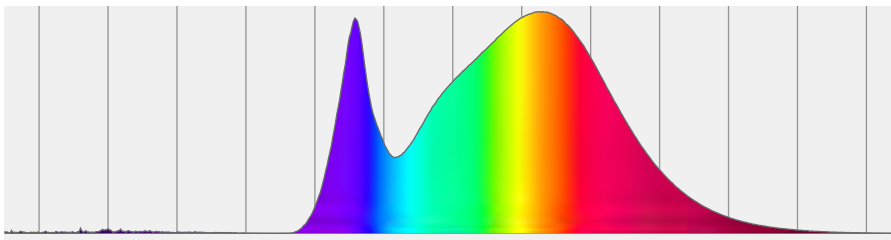
Power: 85.9 W

Efficacy: 51 Lumen/Watt

Measurement Date: 8/15/2022

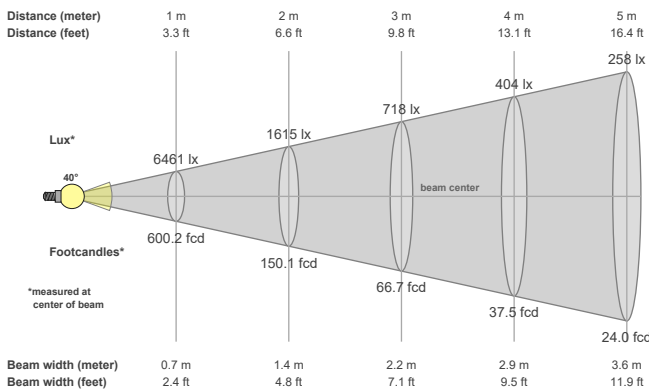


Spectral distribution



Dominant Wavelength	Color coordinate cie 1931	Color coordinate cie 1931	Color coordinate	Color coordinate
nm	x	y	u	v
581	0.378	0.378	0.223	0.334

Beam details



Beam angles

Beam angle 50%	Field angle 10%	Cutoff angle 2,5%
39.8°	88.6°	104.3°

Beam intensities

Peak intensity	Int. ratio in 120° cone	Int. ratio in 90° cone
6462 cd	99.6%	93.9%

Beam Intensities from 1-20m

M	1	2	3	4	5	6	7	8	9	10	11	12	13	14	15	16	17	18	19	20
FT	3.3	6.6	9.8	13.1	16.4	19.7	23	26.2	29.5	32.8	36.1	39.4	42.7	45.9	49.2	52.5	55.8	59.1	62.3	65.6
LX	6461	1615	718	404	258	179	132	101	80	65	53	45	38	33	29	25	22	20	18	16
FC	600.2	150.1	66.7	37.5	24	16.7	12.2	9.4	7.4	6	5	4.2	3.6	3.1	2.7	2.3	2.1	1.9	1.7	1.5

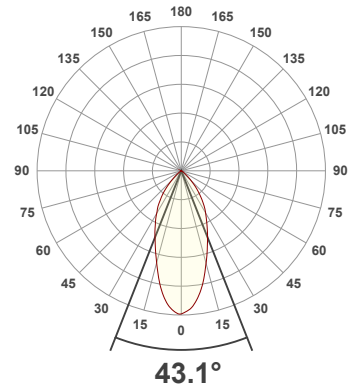
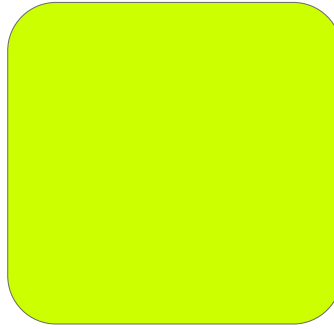
Total Lumen Output: 3896 lm

Voltage: 115 V, Current: 0.480 A

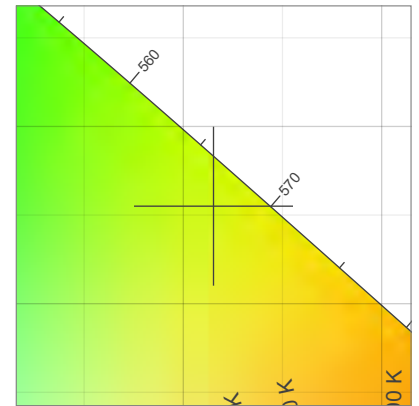
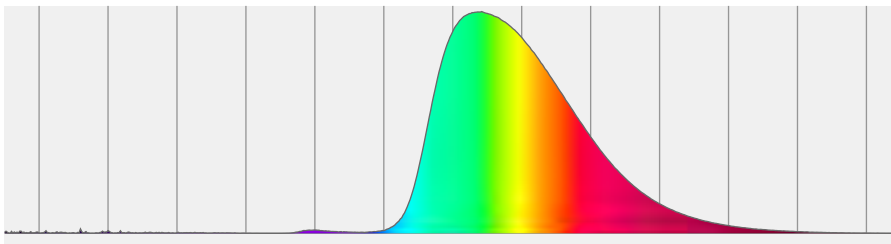
Power: 53.1 W

Efficacy: 73 Lumen/Watt

Measurement Date: 8/15/2022

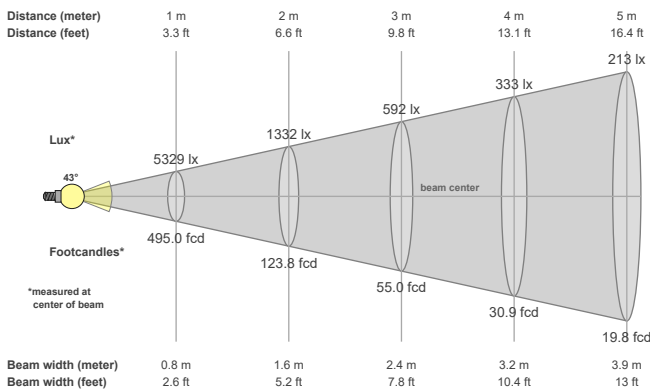


Spectral distribution



Dominant Wavelength	Color coordinate cie 1931	Color coordinate cie 1931	Color coordinate	Color coordinate
nm	x	y	u	v
567	0.415	0.555	0.188	0.377

Beam details



Beam angles

Beam angle 50%	Field angle 10%	Cutoff angle 2,5%
43.1°	89.7°	105.6°

Beam intensities

Peak intensity	Int. ratio in 120° cone	Int. ratio in 90° cone
5352 cd	99.6%	93.7%

Beam Intensities from 1-20m

M	1	2	3	4	5	6	7	8	9	10	11	12	13	14	15	16	17	18	19	20
FT	3.3	6.6	9.8	13.1	16.4	19.7	23	26.2	29.5	32.8	36.1	39.4	42.7	45.9	49.2	52.5	55.8	59.1	62.3	65.6
LX	5329	1332	592	333	213	148	109	83	66	53	44	37	32	27	24	21	18	16	15	13
FC	495	123.8	55	30.9	19.8	13.8	10.1	7.7	6.1	5	4.1	3.4	2.9	2.5	2.2	1.9	1.7	1.5	1.4	1.2

Fuze Pendant Compact

Photometric Test

25° Lens

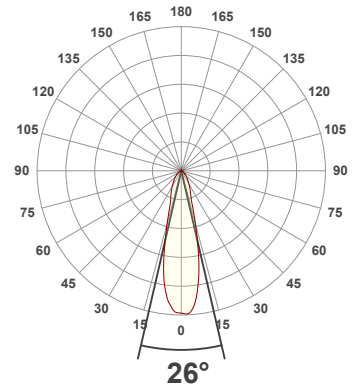
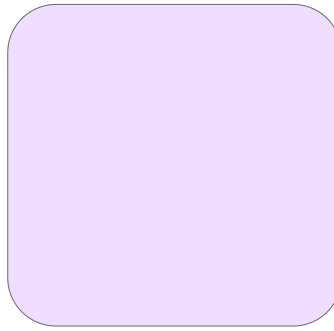
Total Lumen Output: 4409 lm

Voltage: 115 V, Current: 1.32 A

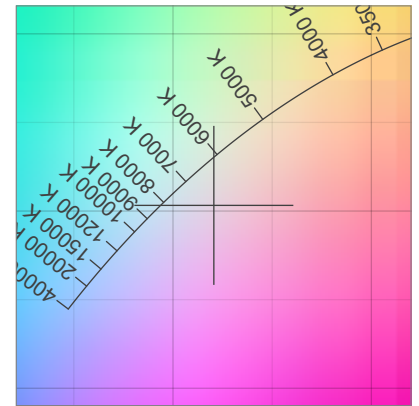
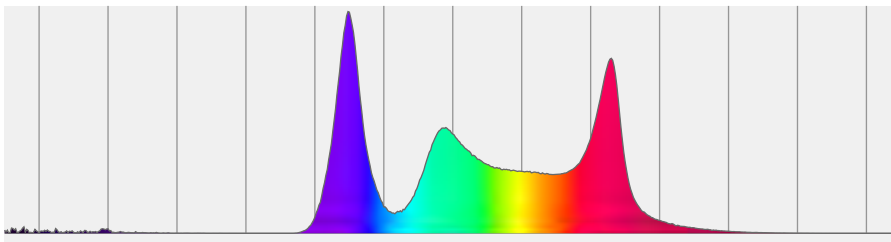
Power: 148.7 W

Efficacy: 30 Lumen/Watt

Measurement Date: 9/30/2022

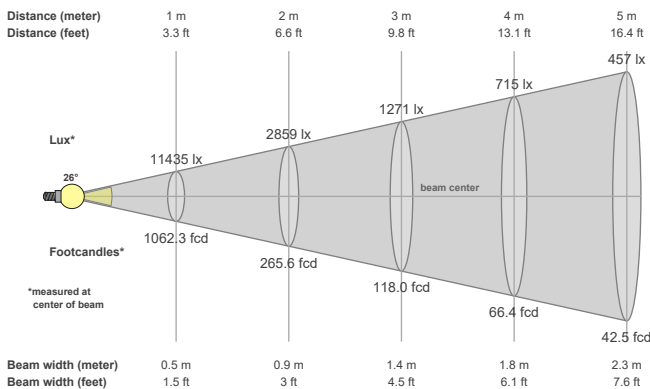


Spectral distribution



Dominant Wavelength	Color coordinate cie 1931	Color coordinate cie 1931	Color coordinate	Color coordinate
nm	x	y	u	v
360	0.321	0.303	0.214	0.303

Beam details



Beam angles

Beam angle 50%	Field angle 10%	Cutoff angle 2,5%
26°	65°	108.7°

Beam intensities

Peak intensity	Int. ratio in 120° cone	Int. ratio in 90° cone
11513 cd	98.4%	88.3%

Beam Intensities from 1-20m

M	1	2	3	4	5	6	7	8	9	10	11	12	13	14	15	16	17	18	19	20
FT	3.3	6.6	9.8	13.1	16.4	19.7	23	26.2	29.5	32.8	36.1	39.4	42.7	45.9	49.2	52.5	55.8	59.1	62.3	65.6
LX	11435	2859	1271	715	457	318	233	179	141	114	95	79	68	58	51	45	40	35	32	29
FC	1062.3	265.6	118	66.4	42.5	29.5	21.7	16.6	13.1	10.6	8.8	7.4	6.3	5.4	4.7	4.1	3.7	3.3	2.9	2.7

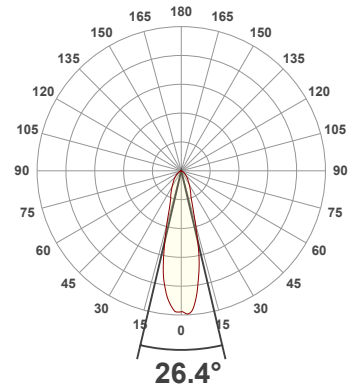
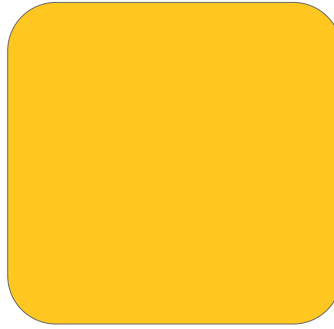
Total Lumen Output: 4286 lm

Voltage: 119 V, Current: 0.807 A

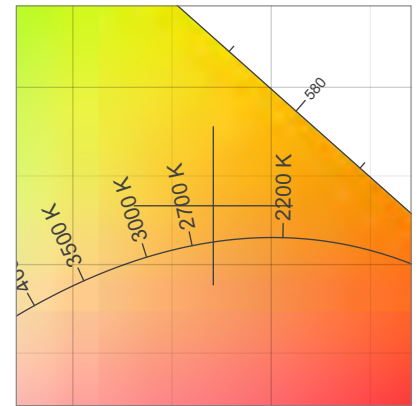
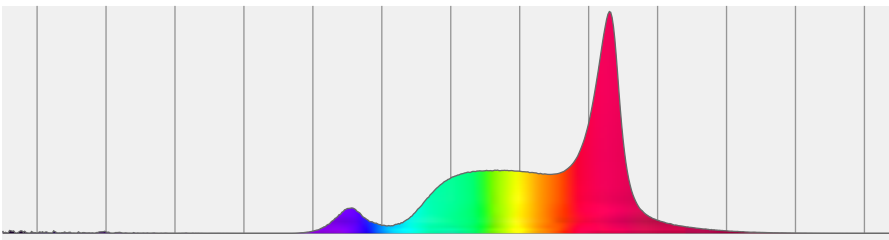
Power: 93.4 W

Efficacy: 46 Lumen/Watt

Measurement Date: 10/3/2022

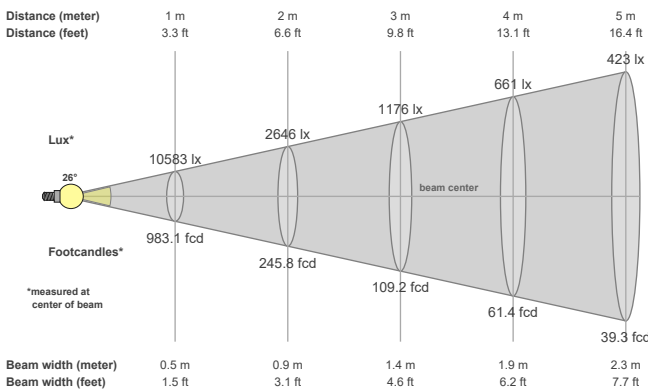


Spectral distribution



Dominant Wavelength	Color coordinate cie 1931	Color coordinate cie 1931	Color coordinate	Color coordinate
nm	x	y	u	v
582	0.471	0.433	0.260	0.358

Beam details



Beam angles

Beam angle 50%	Field angle 10%	Cutoff angle 2,5%
26.4°	66.2°	111.4°

Beam intensities

Peak intensity	Int. ratio in 120° cone	Int. ratio in 90° cone
10753 cd	97.4%	86.7%

Beam Intensities from 1-20m

M	1	2	3	4	5	6	7	8	9	10	11	12	13	14	15	16	17	18	19	20
FT	3.3	6.6	9.8	13.1	16.4	19.7	23	26.2	29.5	32.8	36.1	39.4	42.7	45.9	49.2	52.5	55.8	59.1	62.3	65.6
LX	10583	2646	1176	661	423	294	216	165	131	106	87	73	63	54	47	41	37	33	29	26
FC	983.1	245.8	109.2	61.4	39.3	27.3	20.1	15.4	12.1	9.8	8.1	6.8	5.8	5	4.4	3.8	3.4	3	2.7	2.5

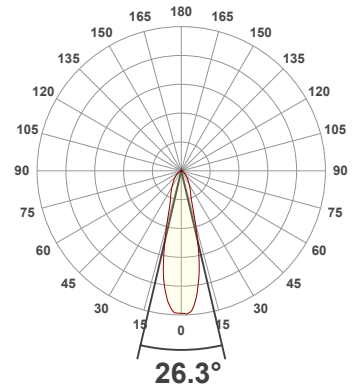
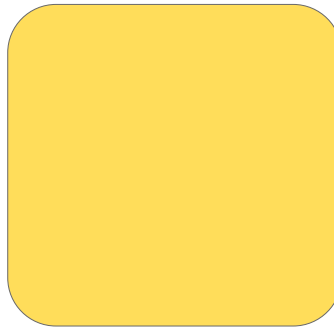
Total Lumen Output: 4061 lm

Voltage: 119 V, Current: 0.811 A

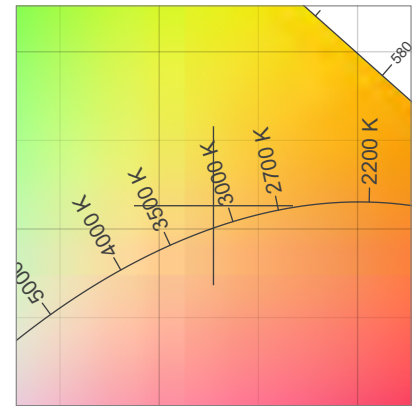
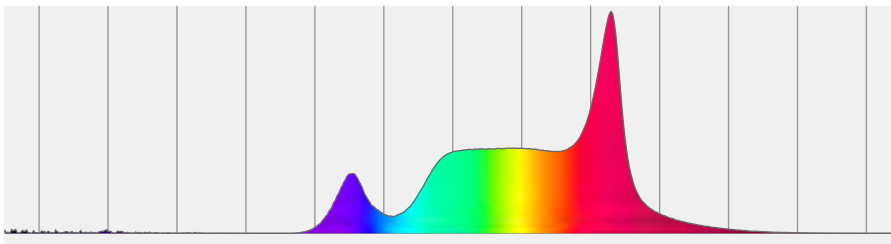
Power: 93.4 W

Efficacy: 43 Lumen/Watt

Measurement Date: 10/3/2022

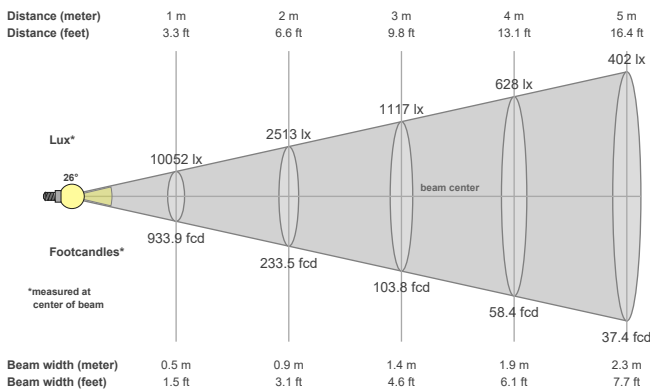


Spectral distribution



Dominant Wavelength	Color coordinate cie 1931	Color coordinate cie 1931	Color coordinate	Color coordinate
nm	x	y	u	v
581	0.427	0.413	0.241	0.349

Beam details



Beam angles

Beam angle 50%	Field angle 10%	Cutoff angle 2,5%
26.3°	66.4°	112.4°

Beam intensities

Peak intensity	Int. ratio in 120° cone	Int. ratio in 90° cone
10108 cd	97.1%	86.1%

Beam Intensities from 1-20m

M	1	2	3	4	5	6	7	8	9	10	11	12	13	14	15	16	17	18	19	20
FT	3.3	6.6	9.8	13.1	16.4	19.7	23	26.2	29.5	32.8	36.1	39.4	42.7	45.9	49.2	52.5	55.8	59.1	62.3	65.6
LX	10052	2513	1117	628	402	279	205	157	124	101	83	70	59	51	45	39	35	31	28	25
FC	933.9	233.5	103.8	58.4	37.4	25.9	19.1	14.6	11.5	9.3	7.7	6.5	5.5	4.8	4.2	3.6	3.2	2.9	2.6	2.3

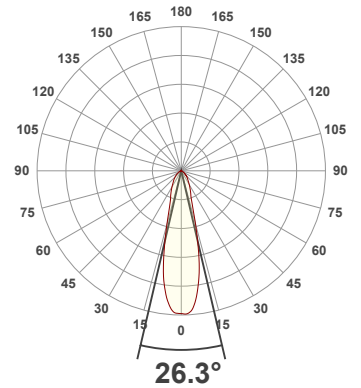
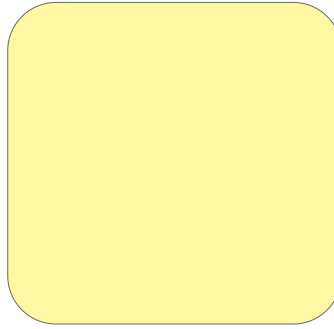
Total Lumen Output: 3910 lm

Voltage: 118 V, Current: 0.771 A

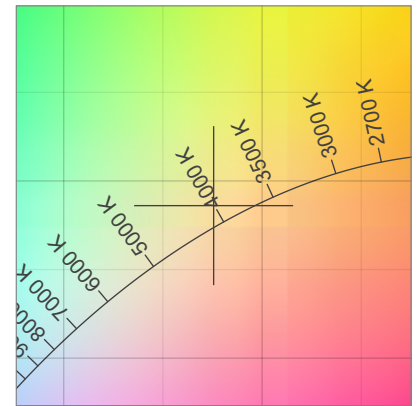
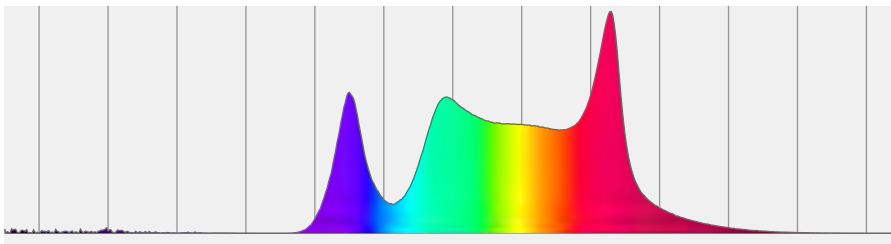
Power: 89.2 W

Efficacy: 44 Lumen/Watt

Measurement Date: 10/3/2022

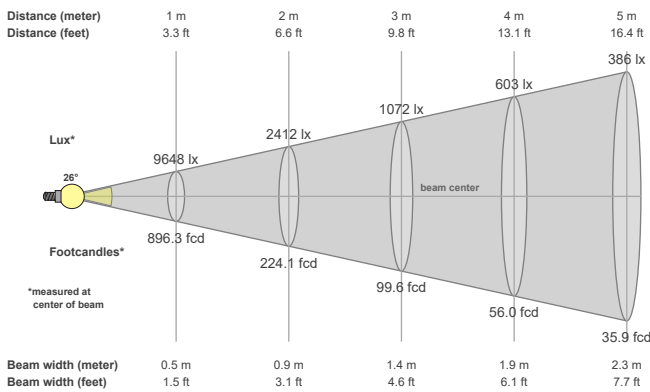


Spectral distribution



Dominant Wavelength	Color coordinate cie 1931	Color coordinate cie 1931	Color coordinate	Color coordinate
nm	x	y	u	v
578	0.376	0.386	0.218	0.337

Beam details



Beam angles

Beam angle 50%	Field angle 10%	Cutoff angle 2,5%
26.3°	66.6°	112.7°

Beam intensities

Peak intensity	Int. ratio in 120° cone	Int. ratio in 90° cone
9681 cd	96.9%	85.9%

Beam Intensities from 1-20m

M	1	2	3	4	5	6	7	8	9	10	11	12	13	14	15	16	17	18	19	20
FT	3.3	6.6	9.8	13.1	16.4	19.7	23	26.2	29.5	32.8	36.1	39.4	42.7	45.9	49.2	52.5	55.8	59.1	62.3	65.6
LX	9648	2412	1072	603	386	268	197	151	119	96	80	67	57	49	43	38	33	30	27	24
FC	896.3	224.1	99.6	56	35.9	24.9	18.3	14	11.1	9	7.4	6.2	5.3	4.6	4	3.5	3.1	2.8	2.5	2.2

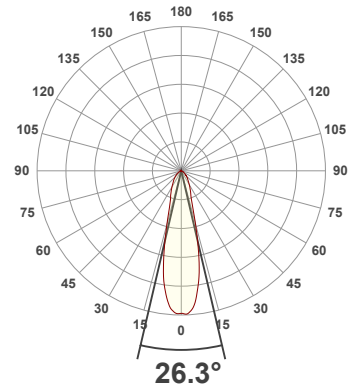
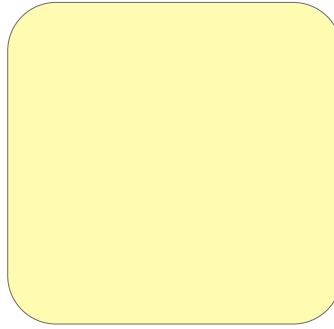
Total Lumen Output: 3886 lm

Voltage: 119 V, Current: 0.765 A

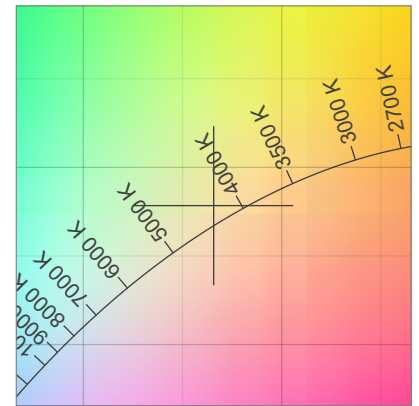
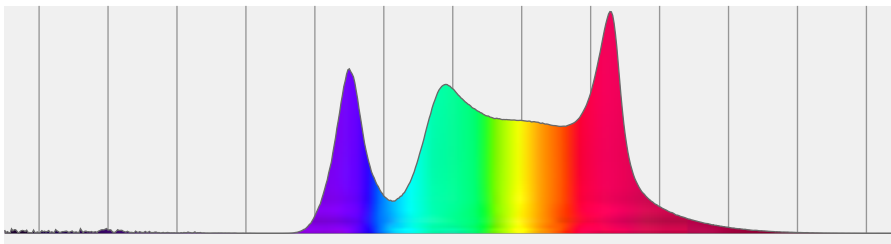
Power: 88.3 W

Efficacy: 44 Lumen/Watt

Measurement Date: 10/3/2022

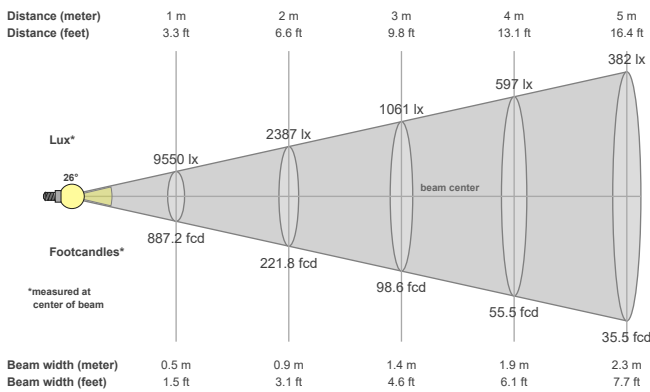


Spectral distribution



Dominant Wavelength	Color coordinate cie 1931	Color coordinate cie 1931	Color coordinate	Color coordinate
nm	x	y	u	v
578	0.366	0.378	0.215	0.333

Beam details



Beam angles

Beam angle 50%	Field angle 10%	Cutoff angle 2,5%
26.3°	66.7°	113°

Beam intensities

Peak intensity	Int. ratio in 120° cone	Int. ratio in 90° cone
9594 cd	96.9%	85.8%

Beam Intensities from 1-20m

M	1	2	3	4	5	6	7	8	9	10	11	12	13	14	15	16	17	18	19	20
FT	3.3	6.6	9.8	13.1	16.4	19.7	23	26.2	29.5	32.8	36.1	39.4	42.7	45.9	49.2	52.5	55.8	59.1	62.3	65.6
LX	9550	2387	1061	597	382	265	195	149	118	95	79	66	57	49	42	37	33	29	26	24
FC	887.2	221.8	98.6	55.5	35.5	24.6	18.1	13.9	11	8.9	7.3	6.2	5.2	4.5	3.9	3.5	3.1	2.7	2.5	2.2

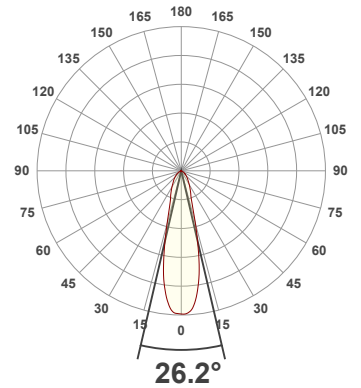
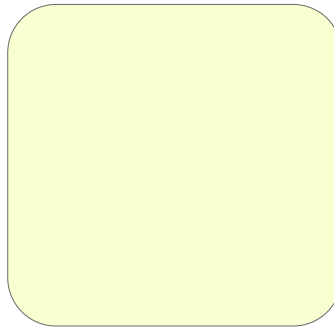
Total Lumen Output: 3812 lm

Voltage: 117 V, Current: 0.779 A

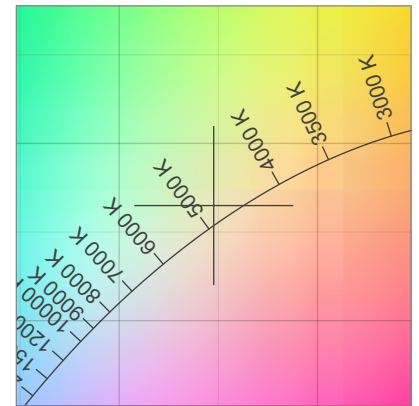
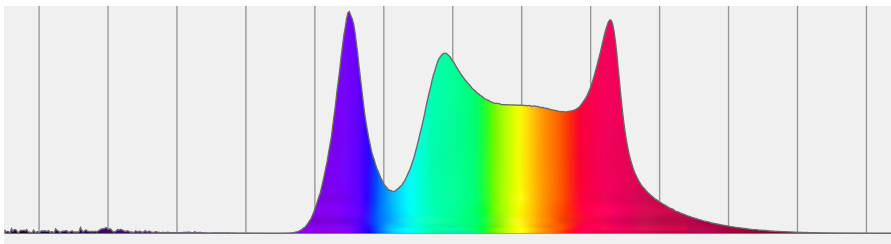
Power: 88.9 W

Efficacy: 43 Lumen/Watt

Measurement Date: 10/3/2022

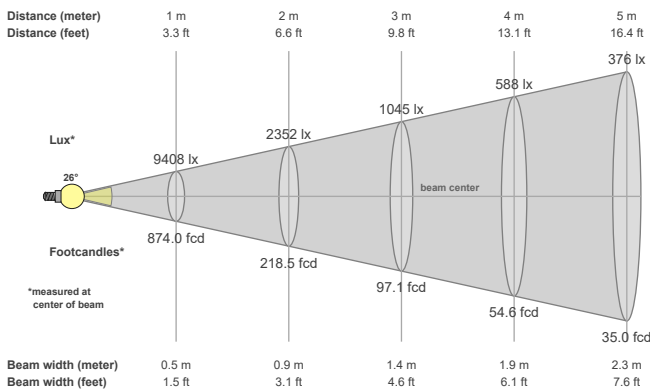


Spectral distribution



Dominant Wavelength	Color coordinate cie 1931	Color coordinate cie 1931	Color coordinate	Color coordinate
nm	x	y	u	v
576	0.348	0.365	0.208	0.328

Beam details



Beam angles

Beam angle 50%	Field angle 10%	Cutoff angle 2,5%
26.2°	66.6°	113.2°

Beam intensities

Peak intensity	Int. ratio in 120° cone	Int. ratio in 90° cone
9416 cd	96.7%	85.6%

Beam Intensities from 1-20m

M	1	2	3	4	5	6	7	8	9	10	11	12	13	14	15	16	17	18	19	20
FT	3.3	6.6	9.8	13.1	16.4	19.7	23	26.2	29.5	32.8	36.1	39.4	42.7	45.9	49.2	52.5	55.8	59.1	62.3	65.6
LX	9408	2352	1045	588	376	261	192	147	116	94	78	65	56	48	42	37	33	29	26	24
FC	874	218.5	97.1	54.6	35	24.3	17.8	13.7	10.8	8.7	7.2	6.1	5.2	4.5	3.9	3.4	3	2.7	2.4	2.2

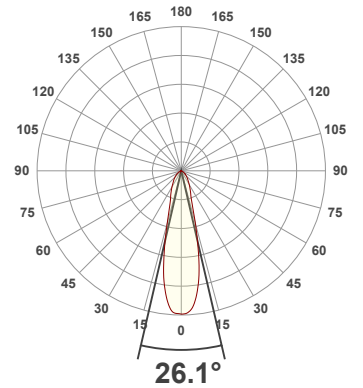
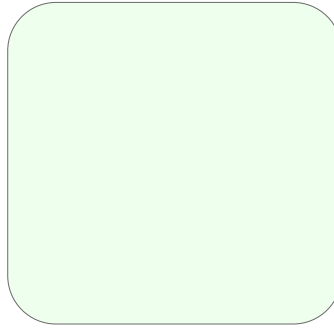
Total Lumen Output: 6130 lm

Voltage: 117 V, Current: 1.31 A

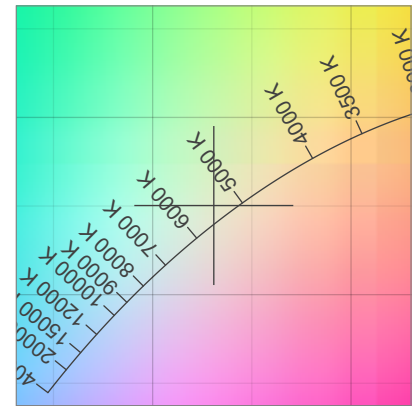
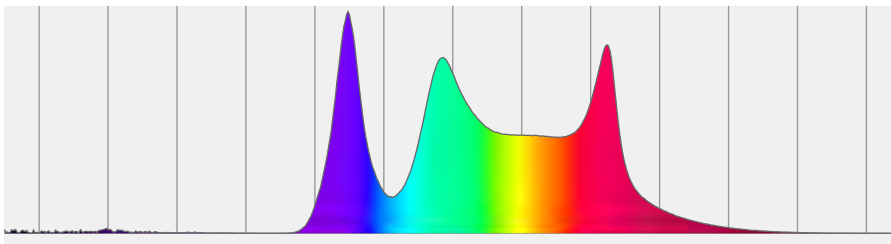
Power: 149.9 W

Efficacy: 41 Lumen/Watt

Measurement Date: 10/3/2022

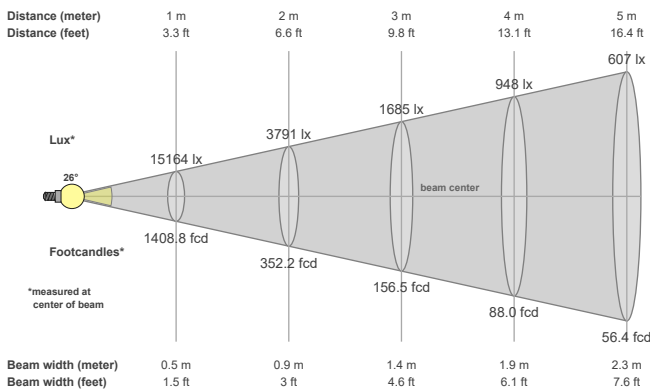


Spectral distribution



Dominant Wavelength	Color coordinate cie 1931	Color coordinate cie 1931	Color coordinate	Color coordinate
nm	x	y	u	v
575	0.331	0.350	0.202	0.321

Beam details



Beam angles

Beam angle 50%	Field angle 10%	Cutoff angle 2,5%
26.1°	66.6°	113.4°

Beam intensities

Peak intensity	Int. ratio in 120° cone	Int. ratio in 90° cone
15170 cd	96.7%	85.5%

Beam Intensities from 1-20m

M	1	2	3	4	5	6	7	8	9	10	11	12	13	14	15	16	17	18	19	20
FT	3.3	6.6	9.8	13.1	16.4	19.7	23	26.2	29.5	32.8	36.1	39.4	42.7	45.9	49.2	52.5	55.8	59.1	62.3	65.6
LX	15164	3791	1685	948	607	421	309	237	187	152	125	105	90	77	67	59	52	47	42	38
FC	1408.8	352.2	156.5	88	56.4	39.1	28.8	22	17.4	14.1	11.6	9.8	8.3	7.2	6.3	5.5	4.9	4.3	3.9	3.5

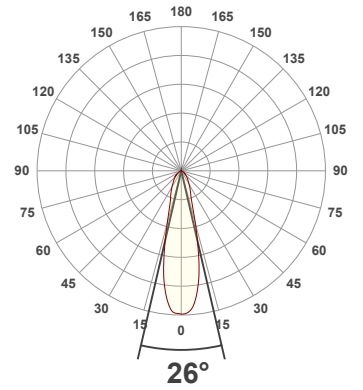
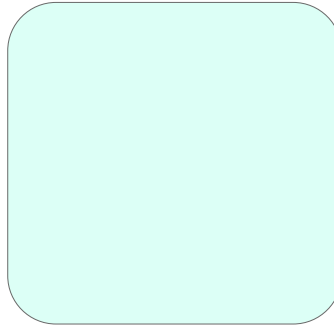
Total Lumen Output: 3761 lm

Voltage: 118 V, Current: 0.808 A

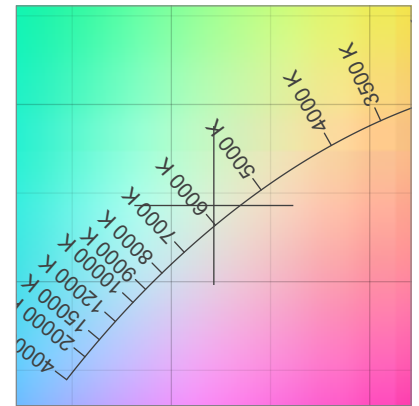
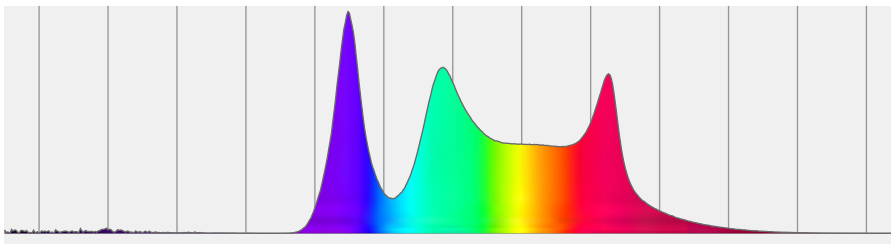
Power: 92.1 W

Efficacy: 41 Lumen/Watt

Measurement Date: 10/3/2022

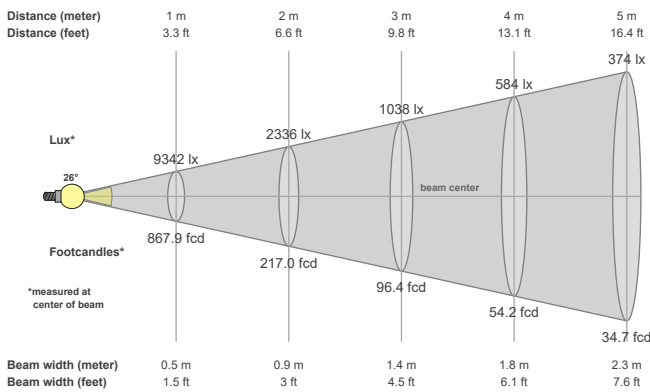


Spectral distribution



Dominant Wavelength	Color coordinate cie 1931	Color coordinate cie 1931	Color coordinate	Color coordinate
nm	x	y	u	v
571	0.321	0.343	0.199	0.318

Beam details



Beam angles

Beam angle 50%	Field angle 10%	Cutoff angle 2,5%
26°	66.5°	112.8°

Beam intensities

Peak intensity	Int. ratio in 120° cone	Int. ratio in 90° cone
9348 cd	96.9%	85.7%

Beam Intensities from 1-20m

M	1	2	3	4	5	6	7	8	9	10	11	12	13	14	15	16	17	18	19	20
FT	3.3	6.6	9.8	13.1	16.4	19.7	23	26.2	29.5	32.8	36.1	39.4	42.7	45.9	49.2	52.5	55.8	59.1	62.3	65.6
LX	9342	2336	1038	584	374	260	191	146	115	93	77	65	55	48	42	36	32	29	26	23
FC	867.9	217	96.4	54.2	34.7	24.1	17.7	13.6	10.7	8.7	7.2	6	5.1	4.4	3.9	3.4	3	2.7	2.4	2.2

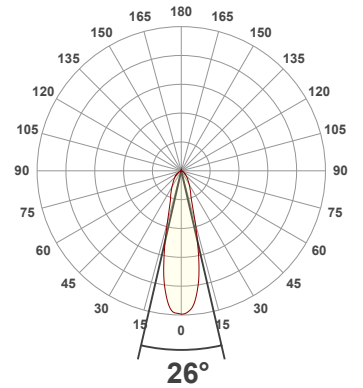
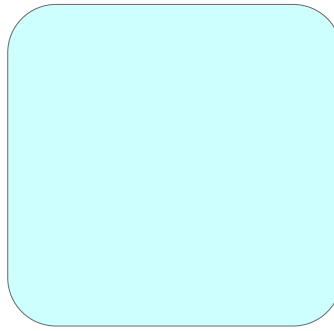
Total Lumen Output: 3724 lm

Voltage: 117 V, Current: 0.804 A

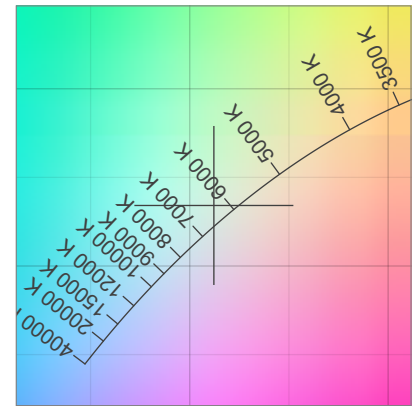
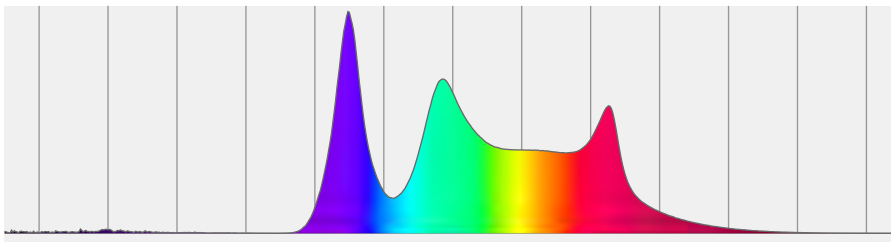
Power: 91.5 W

Efficacy: 41 Lumen/Watt

Measurement Date: 10/3/2022

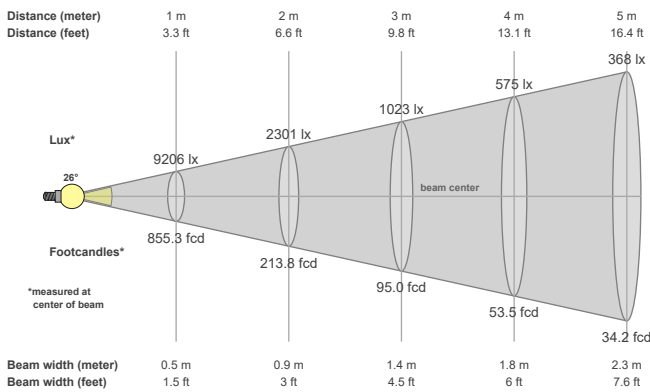


Spectral distribution



Dominant Wavelength	Color coordinate cie 1931	Color coordinate cie 1931	Color coordinate	Color coordinate
nm	x	y	u	v
546	0.312	0.334	0.196	0.314

Beam details



Beam angles

Beam angle 50%	Field angle 10%	Cutoff angle 2,5%
26°	66.6°	113.5°

Beam intensities

Peak intensity	Int. ratio in 120° cone	Int. ratio in 90° cone
9206 cd	96.6%	85.3%

Beam Intensities from 1-20m

M	1	2	3	4	5	6	7	8	9	10	11	12	13	14	15	16	17	18	19	20
FT	3.3	6.6	9.8	13.1	16.4	19.7	23	26.2	29.5	32.8	36.1	39.4	42.7	45.9	49.2	52.5	55.8	59.1	62.3	65.6
LX	9206	2301	1023	575	368	256	188	144	114	92	76	64	54	47	41	36	32	28	26	23
FC	855.3	213.8	95	53.5	34.2	23.8	17.5	13.4	10.6	8.6	7.1	5.9	5.1	4.4	3.8	3.3	3	2.6	2.4	2.1

Fuze Pendant Compact

Photometric Test

40° Lens

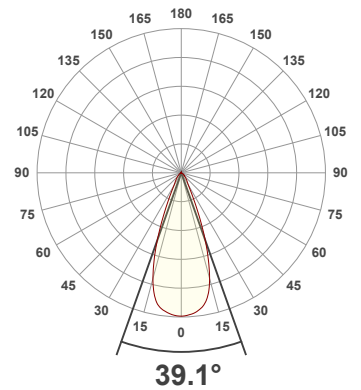
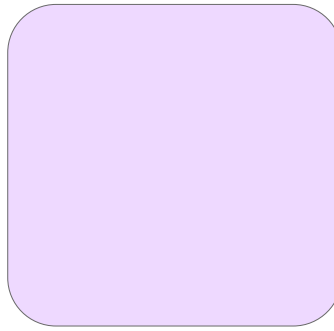
Total Lumen Output: 5206 lm

Voltage: 117 V, Current: 0.998 A

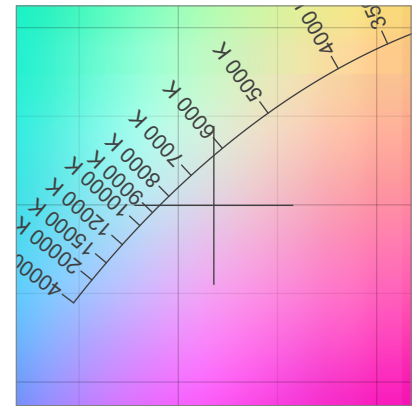
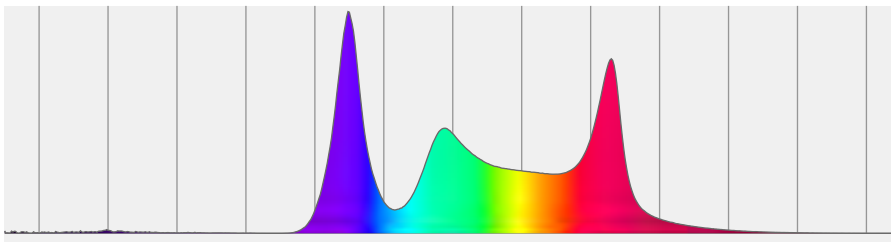
Power: 113.7 W

Efficacy: 46 Lumen/Watt

Measurement Date: 8/17/2022

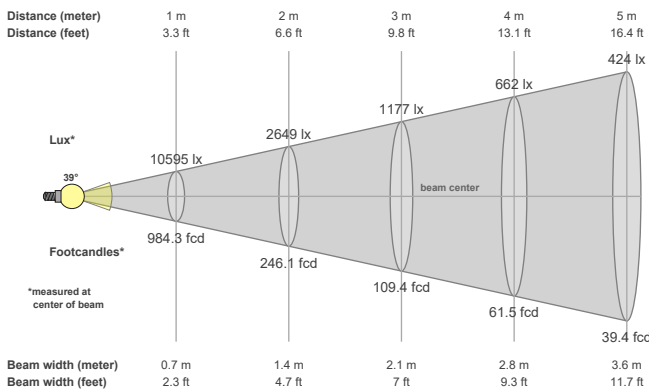


Spectral distribution



Dominant Wavelength	Color coordinate cie 1931	Color coordinate cie 1931	Color coordinate	Color coordinate
nm	x	y	u	v
360	0.318	0.300	0.213	0.302

Beam details



Beam angles

Beam angle 50%	Field angle 10%	Cutoff angle 2,5%
39.1°	60.4°	99.1°

Beam intensities

Peak intensity	Int. ratio in 120° cone	Int. ratio in 90° cone
10600 cd	99.0%	93.7%

Beam Intensities from 1-20m

M	1	2	3	4	5	6	7	8	9	10	11	12	13	14	15	16	17	18	19	20
FT	3.3	6.6	9.8	13.1	16.4	19.7	23	26.2	29.5	32.8	36.1	39.4	42.7	45.9	49.2	52.5	55.8	59.1	62.3	65.6
LX	10595	2649	1177	662	424	294	216	166	131	106	88	74	63	54	47	41	37	33	29	26
FC	984.3	246.1	109.4	61.5	39.4	27.3	20.1	15.4	12.2	9.8	8.1	6.8	5.8	5	4.4	3.8	3.4	3	2.7	2.5

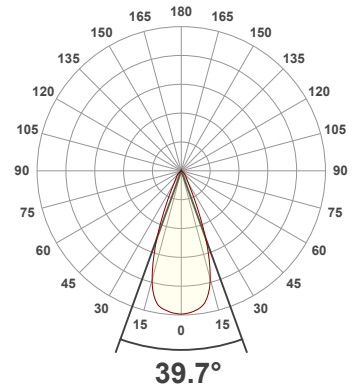
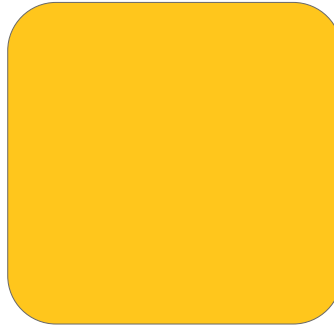
Total Lumen Output: 4999 lm

Voltage: 116 V, Current: 0.838 A

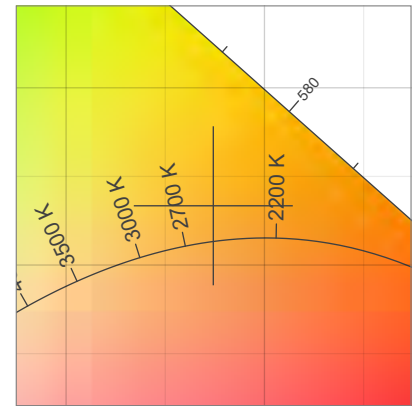
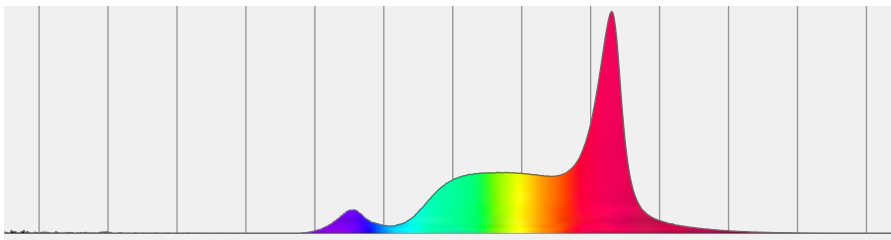
Power: 94.1 W

Efficacy: 53 Lumen/Watt

Measurement Date: 8/18/2022

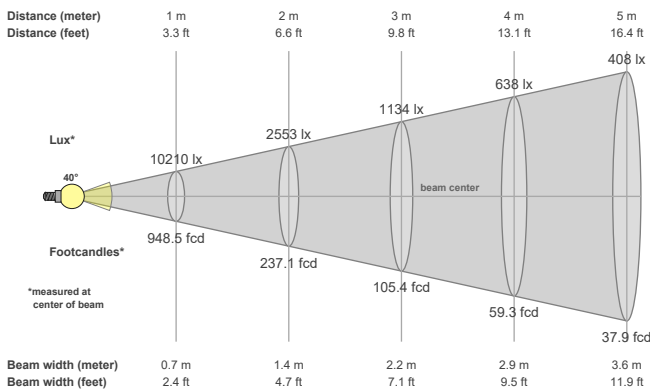


Spectral distribution



Dominant Wavelength	Color coordinate cie 1931	Color coordinate cie 1931	Color coordinate	Color coordinate
nm	x	y	u	v
583	0.474	0.433	0.262	0.359

Beam details



Beam angles

Beam angle 50%	Field angle 10%	Cutoff angle 2,5%
39.7°	60°	96.2°

Beam intensities

Peak intensity	Int. ratio in 120° cone	Int. ratio in 90° cone
10212 cd	99.5%	95.0%

Beam Intensities from 1-20m

M	1	2	3	4	5	6	7	8	9	10	11	12	13	14	15	16	17	18	19	20
FT	3.3	6.6	9.8	13.1	16.4	19.7	23	26.2	29.5	32.8	36.1	39.4	42.7	45.9	49.2	52.5	55.8	59.1	62.3	65.6
LX	10210	2553	1134	638	408	284	208	160	126	102	84	71	60	52	45	40	35	32	28	26
FC	948.5	237.1	105.4	59.3	37.9	26.3	19.4	14.8	11.7	9.5	7.8	6.6	5.6	4.8	4.2	3.7	3.3	2.9	2.6	2.4

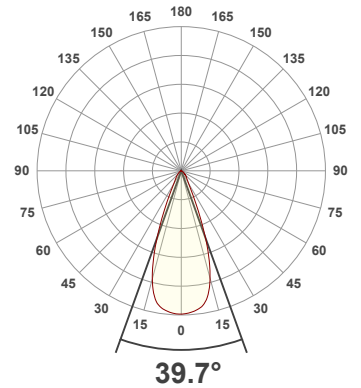
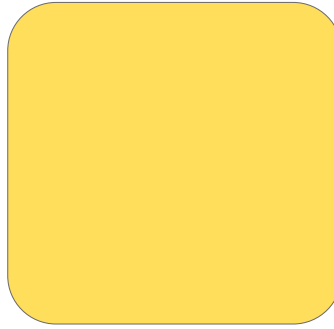
Total Lumen Output: 4752 lm

Voltage: 116 V, Current: 0.788 A

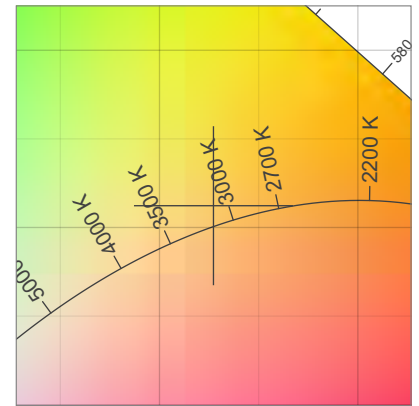
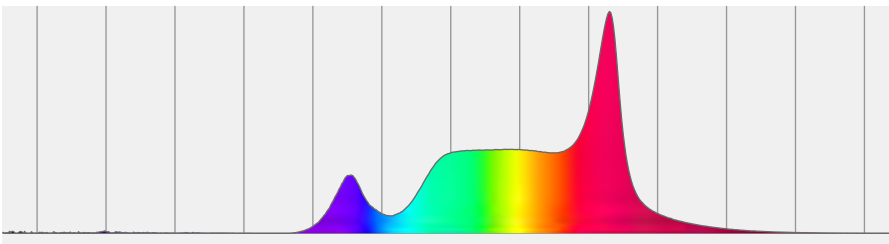
Power: 88.9 W

Efficacy: 53 Lumen/Watt

Measurement Date: 8/18/2022

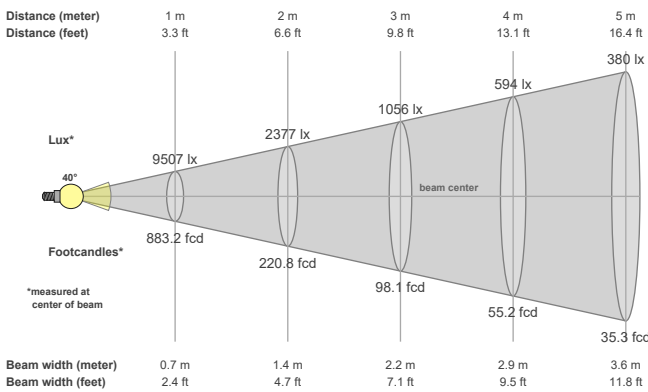


Spectral distribution



Dominant Wavelength	Color coordinate cie 1931	Color coordinate cie 1931	Color coordinate	Color coordinate
nm	x	y	u	v
581	0.427	0.412	0.241	0.349

Beam details



Beam angles

Beam angle 50%	Field angle 10%	Cutoff angle 2,5%
39.7°	60.9°	99.6°

Beam intensities

Peak intensity	Int. ratio in 120° cone	Int. ratio in 90° cone
9515 cd	99.0%	93.7%

Beam Intensities from 1-20m

M	1	2	3	4	5	6	7	8	9	10	11	12	13	14	15	16	17	18	19	20
FT	3.3	6.6	9.8	13.1	16.4	19.7	23	26.2	29.5	32.8	36.1	39.4	42.7	45.9	49.2	52.5	55.8	59.1	62.3	65.6
LX	9507	2377	1056	594	380	264	194	149	117	95	79	66	56	49	42	37	33	29	26	24
FC	883.2	220.8	98.1	55.2	35.3	24.5	18	13.8	10.9	8.8	7.3	6.1	5.2	4.5	3.9	3.4	3.1	2.7	2.4	2.2

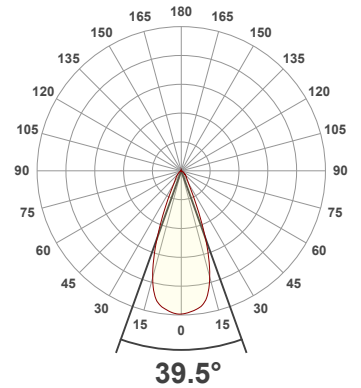
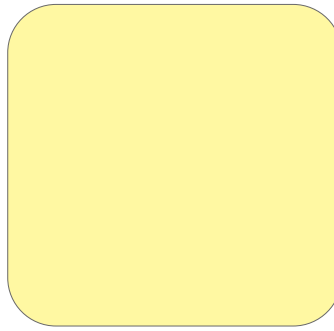
Total Lumen Output: 4567 lm

Voltage: 115 V, Current: 0.778 A

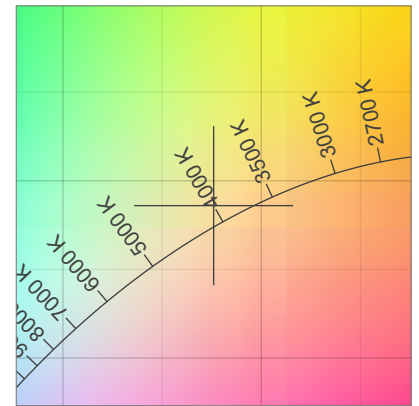
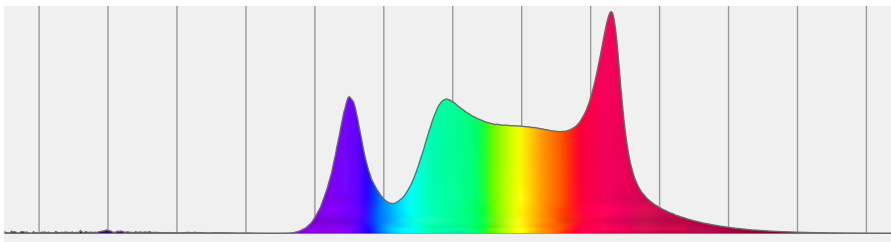
Power: 87.3 W

Efficacy: 52 Lumen/Watt

Measurement Date: 8/18/2022

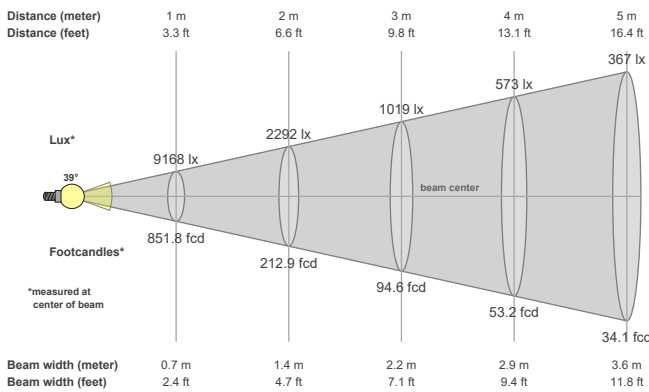


Spectral distribution



Dominant Wavelength	Color coordinate cie 1931	Color coordinate cie 1931	Color coordinate	Color coordinate
nm	x	y	u	v
578	0.376	0.386	0.219	0.337

Beam details



Beam angles

Beam angle 50%	Field angle 10%	Cutoff angle 2,5%
39.5°	61°	100.2°

Beam intensities

Peak intensity	Int. ratio in 120° cone	Int. ratio in 90° cone
9183 cd	98.8%	93.4%

Beam Intensities from 1-20m

M	1	2	3	4	5	6	7	8	9	10	11	12	13	14	15	16	17	18	19	20
FT	3.3	6.6	9.8	13.1	16.4	19.7	23	26.2	29.5	32.8	36.1	39.4	42.7	45.9	49.2	52.5	55.8	59.1	62.3	65.6
LX	9168	2292	1019	573	367	255	187	143	113	92	76	64	54	47	41	36	32	28	25	23
FC	851.8	212.9	94.6	53.2	34.1	23.7	17.4	13.3	10.5	8.5	7	5.9	5	4.3	3.8	3.3	2.9	2.6	2.4	2.1

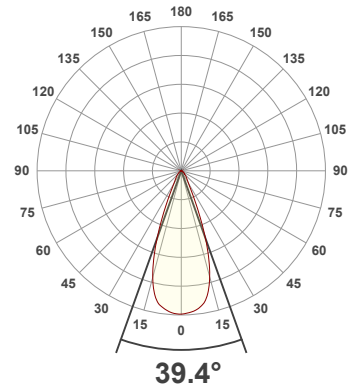
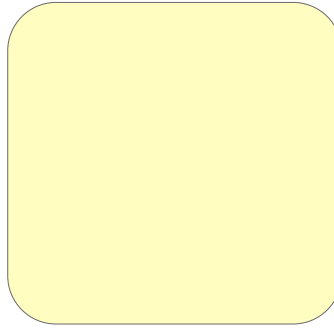
Total Lumen Output: 4397 lm

Voltage: 116 V, Current: 0.776 A

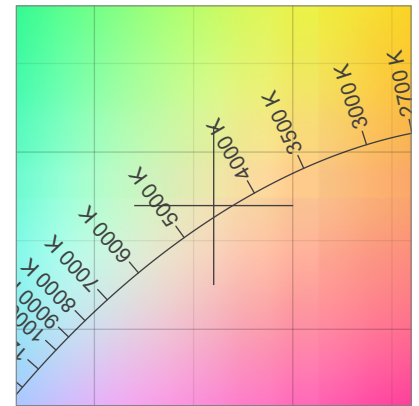
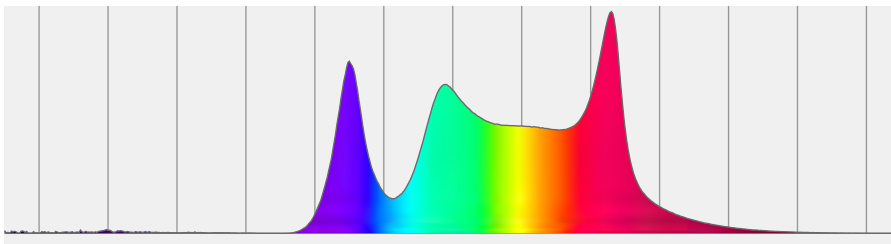
Power: 87.8 W

Efficacy: 50 Lumen/Watt

Measurement Date: 8/18/2022

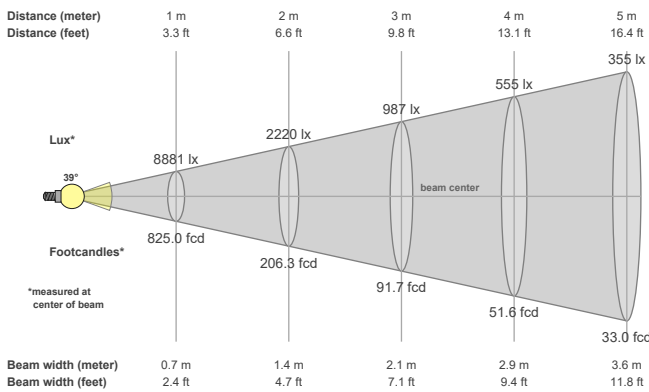


Spectral distribution



Dominant Wavelength	Color coordinate cie 1931	Color coordinate cie 1931	Color coordinate	Color coordinate
nm	x	y	u	v
579	0.360	0.370	0.214	0.330

Beam details



Beam angles

Beam angle 50%	Field angle 10%	Cutoff angle 2,5%
39.4°	60.5°	99.9°

Beam intensities

Peak intensity	Int. ratio in 120° cone	Int. ratio in 90° cone
8881 cd	98.9%	93.5%

Beam Intensities from 1-20m

M	1	2	3	4	5	6	7	8	9	10	11	12	13	14	15	16	17	18	19	20
FT	3.3	6.6	9.8	13.1	16.4	19.7	23	26.2	29.5	32.8	36.1	39.4	42.7	45.9	49.2	52.5	55.8	59.1	62.3	65.6
LX	8881	2220	987	555	355	247	181	139	110	89	73	62	53	45	39	35	31	27	25	22
FC	825	206.3	91.7	51.6	33	22.9	16.8	12.9	10.2	8.3	6.8	5.7	4.9	4.2	3.7	3.2	2.9	2.5	2.3	2.1

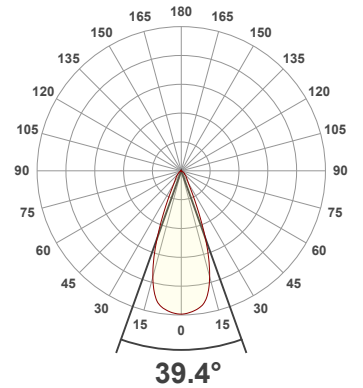
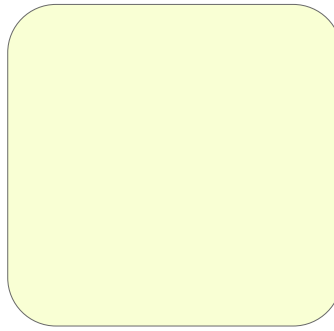
Total Lumen Output: 7764 lm

Voltage: 115 V, Current: 1.36 A

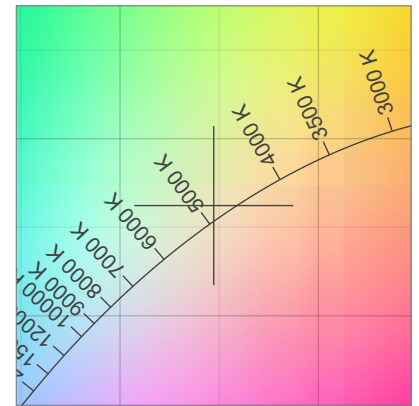
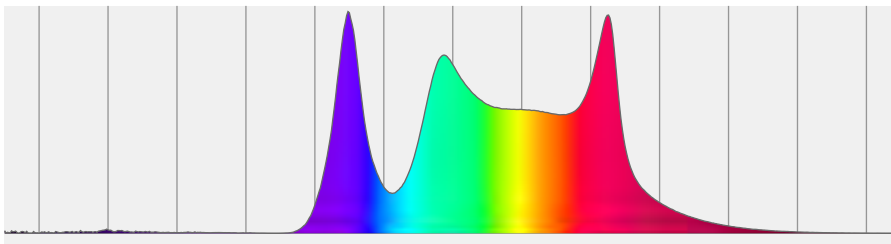
Power: 154.2 W

Efficacy: 50 Lumen/Watt

Measurement Date: 8/18/2022

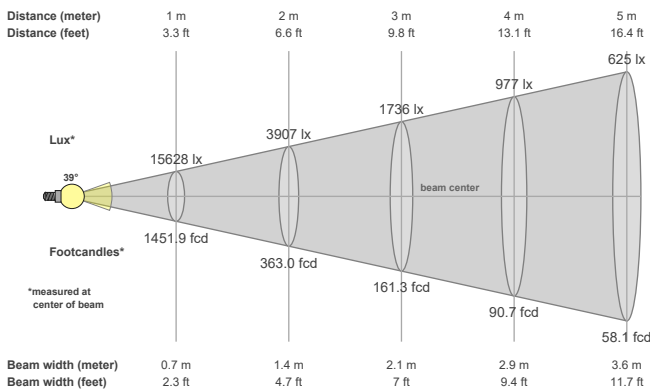


Spectral distribution



Dominant Wavelength	Color coordinate cie 1931	Color coordinate cie 1931	Color coordinate	Color coordinate
nm	x	y	u	v
577	0.347	0.362	0.209	0.327

Beam details



Beam angles

Beam angle 50%	Field angle 10%	Cutoff angle 2,5%
39.4°	60.6°	100.5°

Beam intensities

Peak intensity	Int. ratio in 120° cone	Int. ratio in 90° cone
15637 cd	98.7%	93.2%

Beam Intensities from 1-20m

M	1	2	3	4	5	6	7	8	9	10	11	12	13	14	15	16	17	18	19	20
FT	3.3	6.6	9.8	13.1	16.4	19.7	23	26.2	29.5	32.8	36.1	39.4	42.7	45.9	49.2	52.5	55.8	59.1	62.3	65.6
LX	15628	3907	1736	977	625	434	319	244	193	156	129	109	92	80	69	61	54	48	43	39
FC	1451.9	363	161.3	90.7	58.1	40.3	29.6	22.7	17.9	14.5	12	10.1	8.6	7.4	6.5	5.7	5	4.5	4	3.6

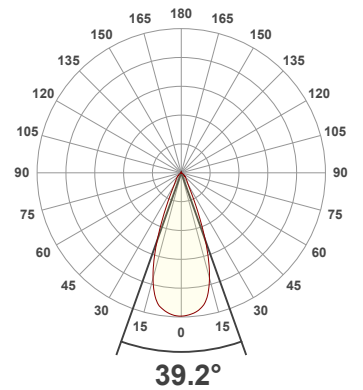
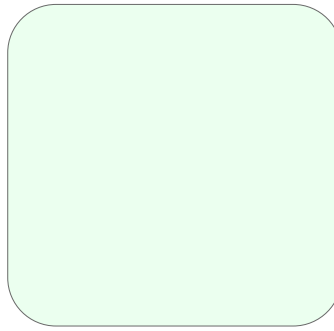
Total Lumen Output: 4382 lm

Voltage: 115 V, Current: 0.815 A

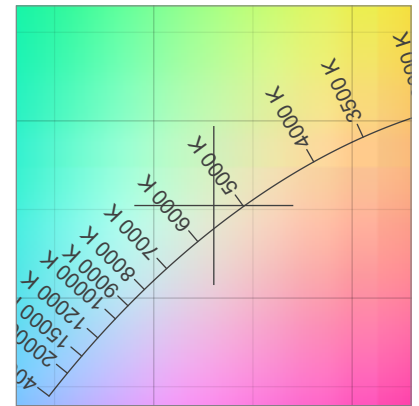
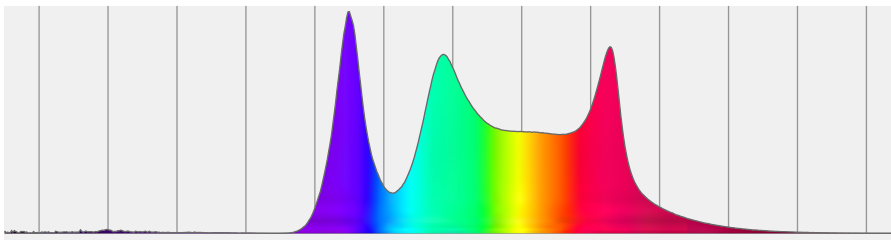
Power: 91.7 W

Efficacy: 48 Lumen/Watt

Measurement Date: 8/18/2022

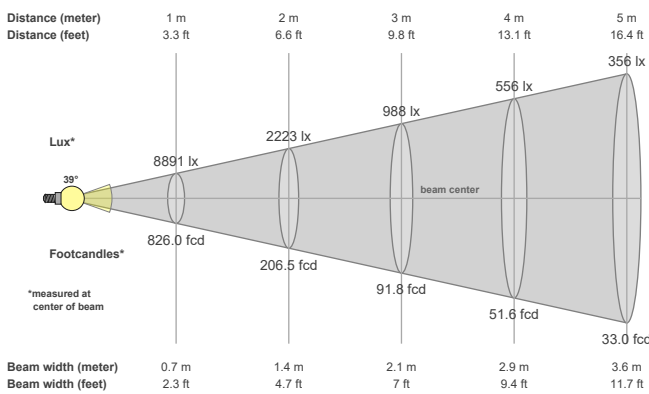


Spectral distribution



Dominant Wavelength	Color coordinate cie 1931	Color coordinate cie 1931	Color coordinate	Color coordinate
nm	x	y	u	v
573	0.330	0.352	0.201	0.322

Beam details



Beam angles

Beam angle 50%	Field angle 10%	Cutoff angle 2,5%
39.2°	60.4°	100.1°

Beam intensities

Peak intensity	Int. ratio in 120° cone	Int. ratio in 90° cone
8892 cd	98.9%	93.4%

Beam Intensities from 1-20m

M	1	2	3	4	5	6	7	8	9	10	11	12	13	14	15	16	17	18	19	20
FT	3.3	6.6	9.8	13.1	16.4	19.7	23	26.2	29.5	32.8	36.1	39.4	42.7	45.9	49.2	52.5	55.8	59.1	62.3	65.6
LX	8891	2223	988	556	356	247	181	139	110	89	73	62	53	45	40	35	31	27	25	22
FC	826	206.5	91.8	51.6	33	22.9	16.9	12.9	10.2	8.3	6.8	5.7	4.9	4.2	3.7	3.2	2.9	2.5	2.3	2.1

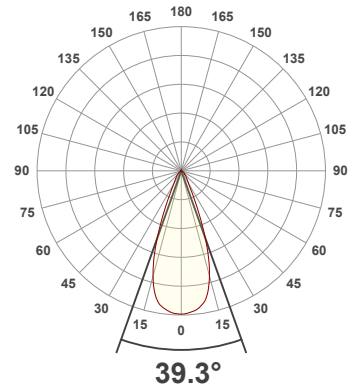
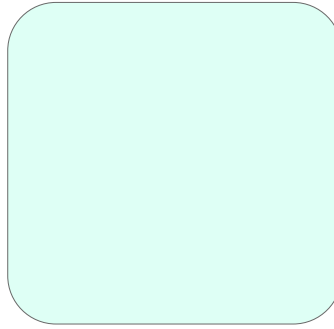
Total Lumen Output: 4319 lm

Voltage: 115 V, Current: 0.803 A

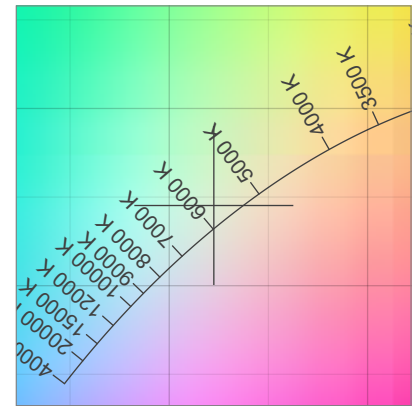
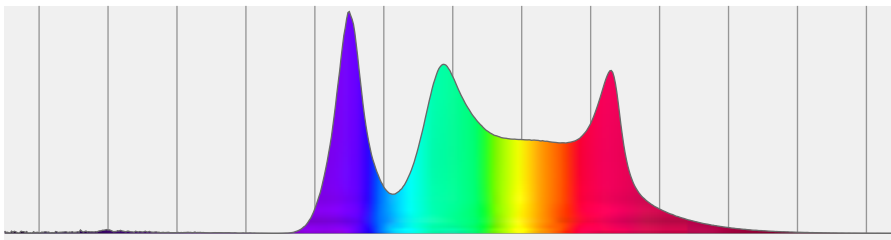
Power: 90.4 W

Efficacy: 48 Lumen/Watt

Measurement Date: 8/18/2022

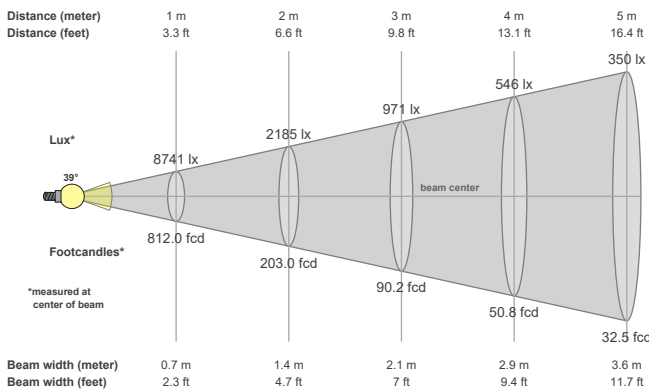


Spectral distribution



Dominant Wavelength	Color coordinate cie 1931	Color coordinate cie 1931	Color coordinate	Color coordinate
nm	x	y	u	v
570	0.322	0.345	0.199	0.319

Beam details



Beam angles

Beam angle 50%	Field angle 10%	Cutoff angle 2,5%
39.3°	60.6°	100.3°

Beam intensities

Peak intensity	Int. ratio in 120° cone	Int. ratio in 90° cone
8744 cd	98.8%	93.3%

Beam Intensities from 1-20m

M	1	2	3	4	5	6	7	8	9	10	11	12	13	14	15	16	17	18	19	20
FT	3.3	6.6	9.8	13.1	16.4	19.7	23	26.2	29.5	32.8	36.1	39.4	42.7	45.9	49.2	52.5	55.8	59.1	62.3	65.6
LX	8741	2185	971	546	350	243	178	137	108	87	72	61	52	45	39	34	30	27	24	22
FC	812	203	90.2	50.8	32.5	22.6	16.6	12.7	10	8.1	6.7	5.6	4.8	4.1	3.6	3.2	2.8	2.5	2.2	2

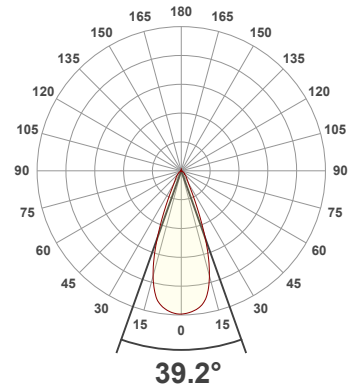
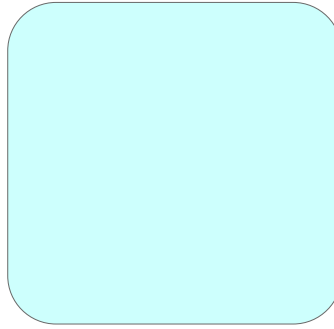
Total Lumen Output: 3978 lm

Voltage: 115 V, Current: 0.751 A

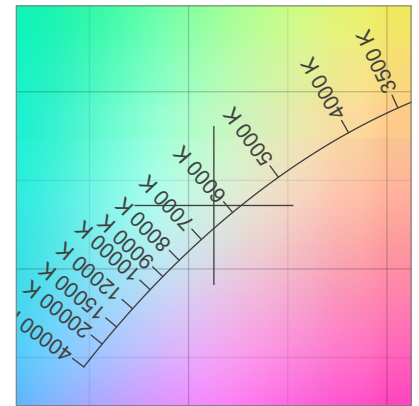
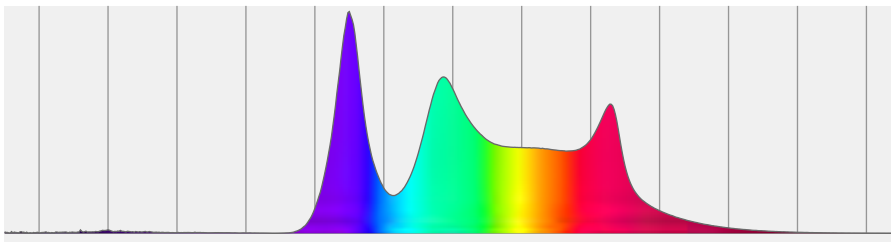
Power: 84.2 W

Efficacy: 47 Lumen/Watt

Measurement Date: 8/18/2022

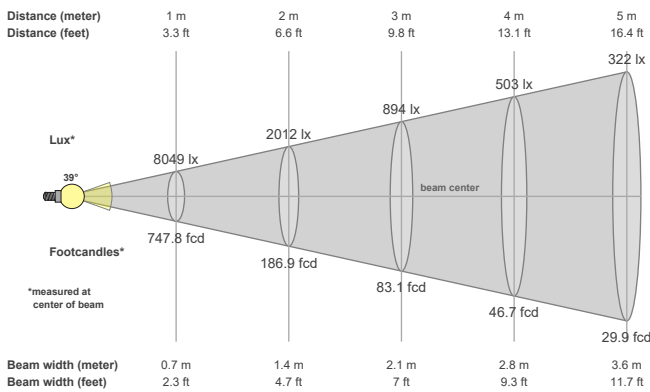


Spectral distribution



Dominant Wavelength	Color coordinate cie 1931	Color coordinate cie 1931	Color coordinate	Color coordinate
nm	x	y	u	v
552	0.313	0.336	0.195	0.315

Beam details



Beam angles

Beam angle 50%	Field angle 10%	Cutoff angle 2,5%
39.2°	60.6°	100.5°

Beam intensities

Peak intensity	Int. ratio in 120° cone	Int. ratio in 90° cone
8057 cd	98.7%	93.1%

Beam Intensities from 1-20m

M	1	2	3	4	5	6	7	8	9	10	11	12	13	14	15	16	17	18	19	20
FT	3.3	6.6	9.8	13.1	16.4	19.7	23	26.2	29.5	32.8	36.1	39.4	42.7	45.9	49.2	52.5	55.8	59.1	62.3	65.6
LX	8049	2012	894	503	322	224	164	126	99	80	67	56	48	41	36	31	28	25	22	20
FC	747.8	186.9	83.1	46.7	29.9	20.8	15.3	11.7	9.2	7.5	6.2	5.2	4.4	3.8	3.3	2.9	2.6	2.3	2.1	1.9

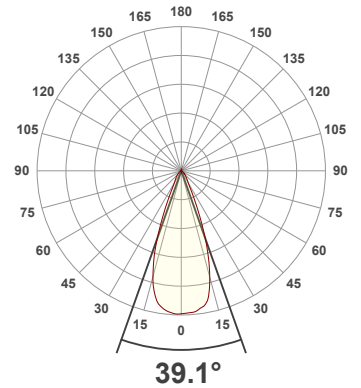
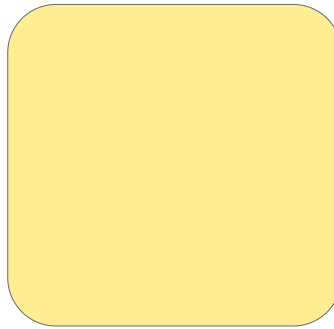
Total Lumen Output: 634 lm

Voltage: 117 V, Current: 0.000 A

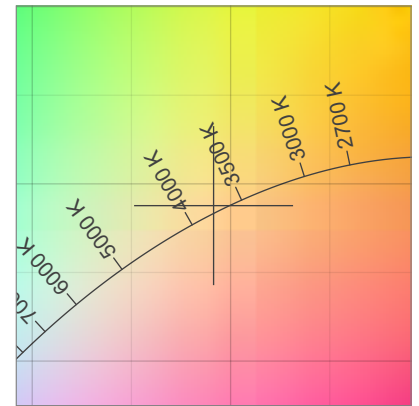
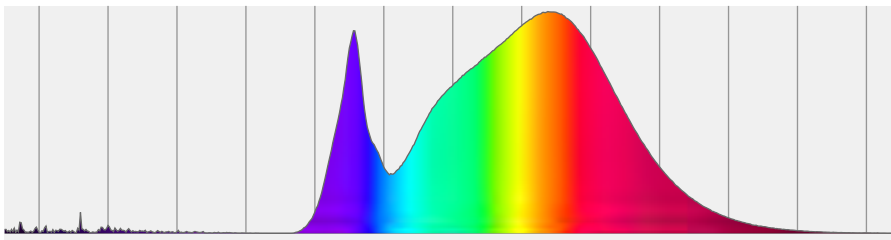
Power: - W

Efficacy: n/a Lumen/Watt

Measurement Date: 8/23/2022

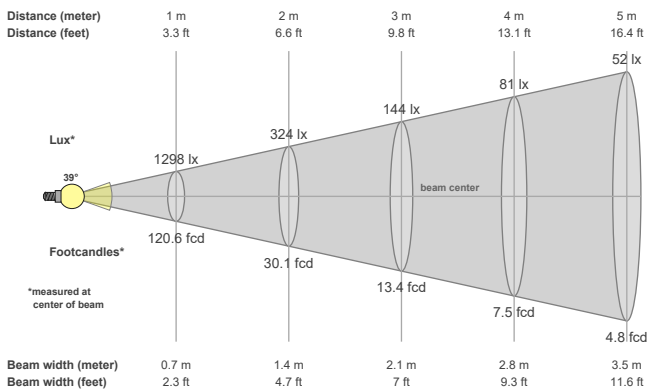


Spectral distribution



Dominant Wavelength	Color coordinate cie 1931	Color coordinate cie 1931	Color coordinate	Color coordinate
nm	x	y	u	v
581	0.391	0.388	0.228	0.339

Beam details



Beam angles

Beam angle 50%	Field angle 10%	Cutoff angle 2,5%
39.1°	59.4°	98.4°

Beam intensities

Peak intensity	Int. ratio in 120° cone	Int. ratio in 90° cone
1301 cd	99.0%	93.8%

Beam Intensities from 1-20m

M	1	2	3	4	5	6	7	8	9	10	11	12	13	14	15	16	17	18	19	20
FT	3.3	6.6	9.8	13.1	16.4	19.7	23	26.2	29.5	32.8	36.1	39.4	42.7	45.9	49.2	52.5	55.8	59.1	62.3	65.6
LX	1298	324	144	81	52	36	26	20	16	13	11	9	8	7	6	5	4	4	4	3
FC	120.6	30.1	13.4	7.5	4.8	3.3	2.5	1.9	1.5	1.2	1	0.8	0.7	0.6	0.5	0.5	0.4	0.4	0.3	0.3

Fuze Pendant Compact

Photometric Test

50° Lens

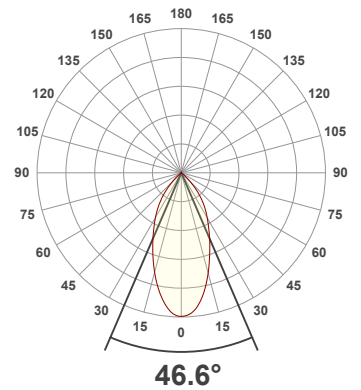
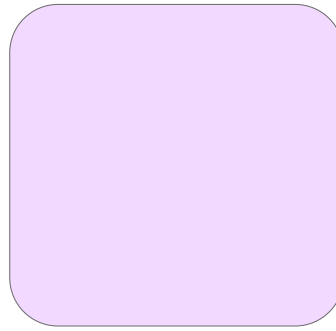
Total Lumen Output: 6553 lm

Voltage: 115 V, Current: 1.36 A

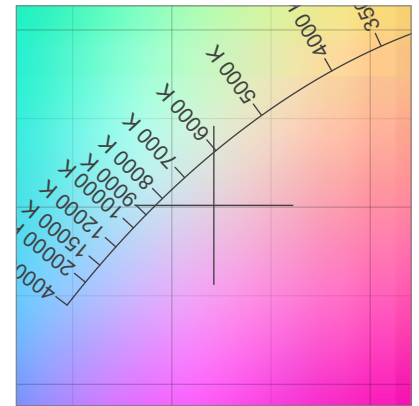
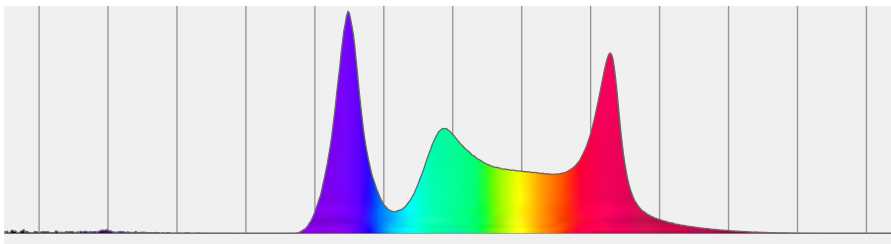
Power: 153.5 W

Efficacy: 43 Lumen/Watt

Measurement Date: 8/22/2022

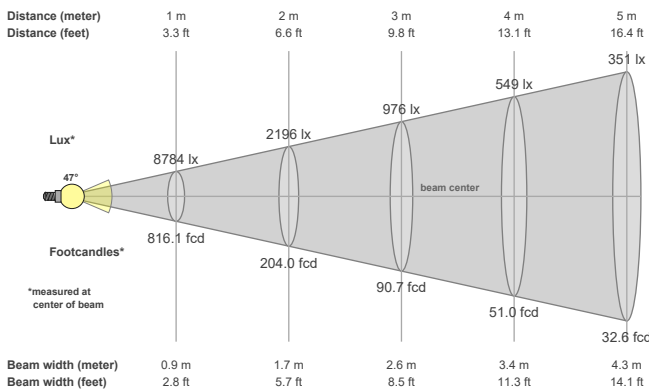


Spectral distribution



Dominant Wavelength	Color coordinate cie 1931	Color coordinate cie 1931	Color coordinate	Color coordinate
nm	x	y	u	v
360	0.321	0.301	0.215	0.303

Beam details



Beam angles

Beam angle 50%	Field angle 10%	Cutoff angle 2,5%
46.6°	88.7°	100°

Beam intensities

Peak intensity	Int. ratio in 120° cone	Int. ratio in 90° cone
8786 cd	100.0%	96.4%

Beam Intensities from 1-20m

M	1	2	3	4	5	6	7	8	9	10	11	12	13	14	15	16	17	18	19	20
FT	3.3	6.6	9.8	13.1	16.4	19.7	23	26.2	29.5	32.8	36.1	39.4	42.7	45.9	49.2	52.5	55.8	59.1	62.3	65.6
LX	8784	2196	976	549	351	244	179	137	108	88	73	61	52	45	39	34	30	27	24	22
FC	816.1	204	90.7	51	32.6	22.7	16.7	12.8	10.1	8.2	6.7	5.7	4.8	4.2	3.6	3.2	2.8	2.5	2.3	2

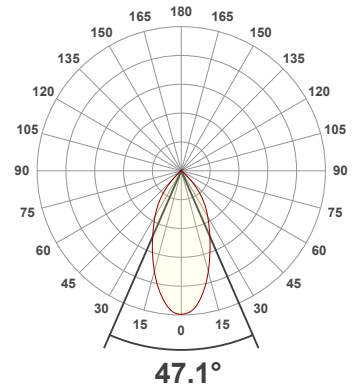
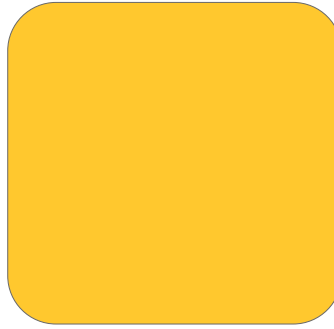
Total Lumen Output: 8281 lm

Voltage: 116 V, Current: 1.30 A

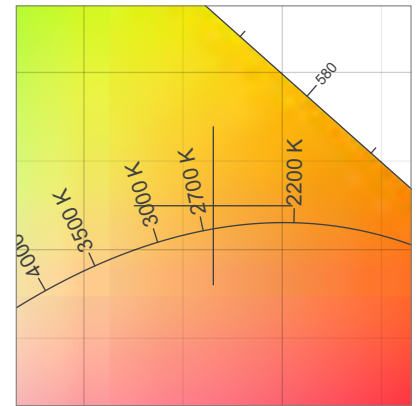
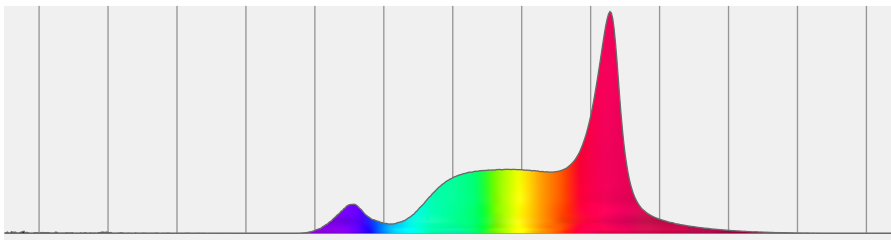
Power: 148.6 W

Efficacy: 56 Lumen/Watt

Measurement Date: 8/23/2022

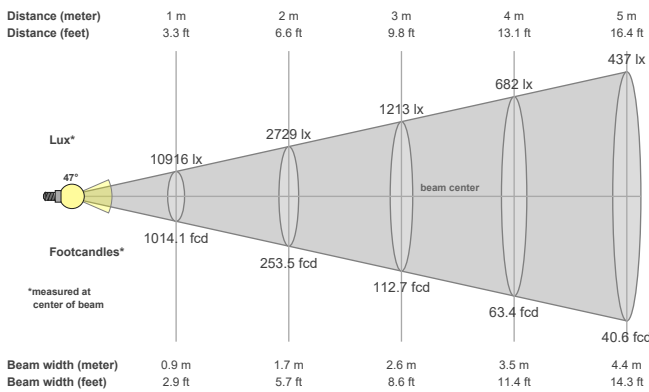


Spectral distribution



Dominant Wavelength	Color coordinate cie 1931	Color coordinate cie 1931	Color coordinate	Color coordinate
nm	x	y	u	v
583	0.465	0.425	0.260	0.356

Beam details



Beam angles

Beam angle 50%	Field angle 10%	Cutoff angle 2,5%
47.1°	89.1°	100.5°

Beam intensities

Peak intensity	Int. ratio in 120° cone	Int. ratio in 90° cone
10923 cd	99.9%	96.1%

Beam Intensities from 1-20m

M	1	2	3	4	5	6	7	8	9	10	11	12	13	14	15	16	17	18	19	20
FT	3.3	6.6	9.8	13.1	16.4	19.7	23	26.2	29.5	32.8	36.1	39.4	42.7	45.9	49.2	52.5	55.8	59.1	62.3	65.6
LX	10916	2729	1213	682	437	303	223	171	135	109	90	76	65	56	49	43	38	34	30	27
FC	1014.1	253.5	112.7	63.4	40.6	28.2	20.7	15.8	12.5	10.1	8.4	7	6	5.2	4.5	4	3.5	3.1	2.8	2.5

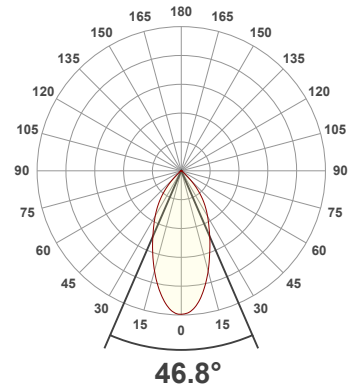
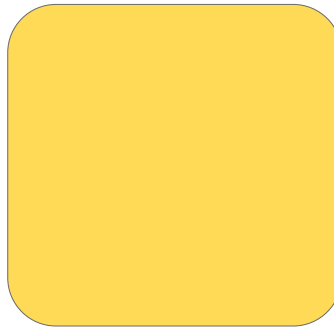
Total Lumen Output: 4927 lm

Voltage: 116 V, Current: 0.786 A

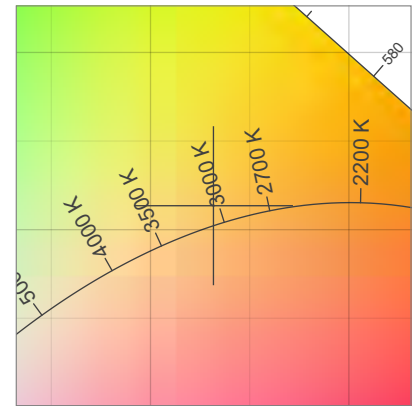
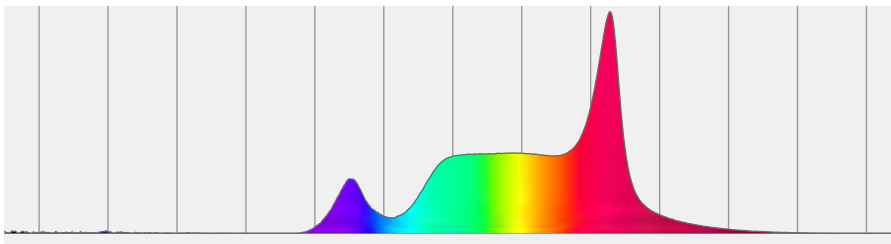
Power: 89.2 W

Efficacy: 55 Lumen/Watt

Measurement Date: 8/23/2022

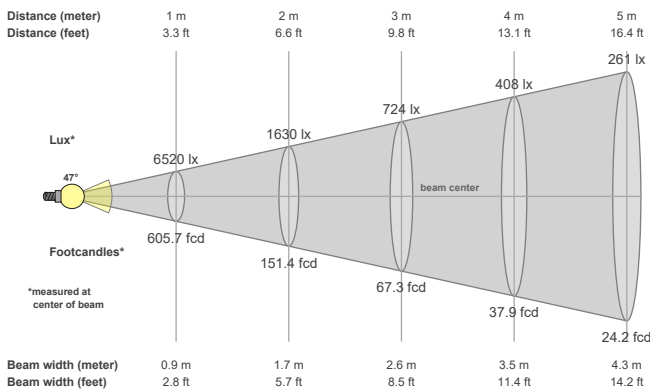


Spectral distribution



Dominant Wavelength	Color coordinate cie 1931	Color coordinate cie 1931	Color coordinate	Color coordinate
nm	x	y	u	v
581	0.432	0.414	0.243	0.350

Beam details



Beam angles

Beam angle 50%	Field angle 10%	Cutoff angle 2,5%
46.8°	89°	100.4°

Beam intensities

Peak intensity	Int. ratio in 120° cone	Int. ratio in 90° cone
6524 cd	99.9%	95.9%

Beam Intensities from 1-20m

M	1	2	3	4	5	6	7	8	9	10	11	12	13	14	15	16	17	18	19	20
FT	3.3	6.6	9.8	13.1	16.4	19.7	23	26.2	29.5	32.8	36.1	39.4	42.7	45.9	49.2	52.5	55.8	59.1	62.3	65.6
LX	6520	1630	724	408	261	181	133	102	80	65	54	45	39	33	29	25	23	20	18	16
FC	605.7	151.4	67.3	37.9	24.2	16.8	12.4	9.5	7.5	6.1	5	4.2	3.6	3.1	2.7	2.4	2.1	1.9	1.7	1.5

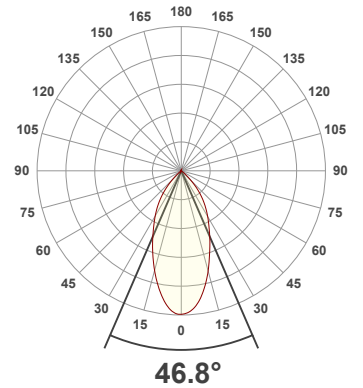
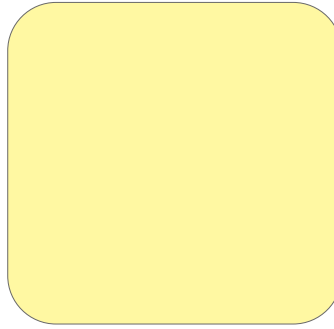
Total Lumen Output: 4712 lm

Voltage: 116 V, Current: 0.782 A

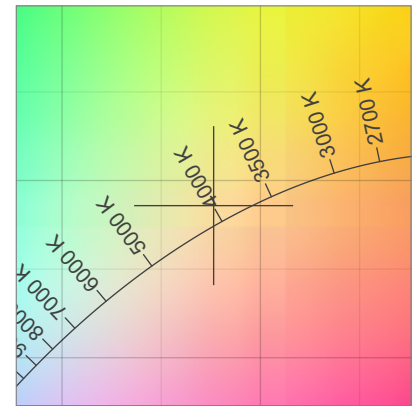
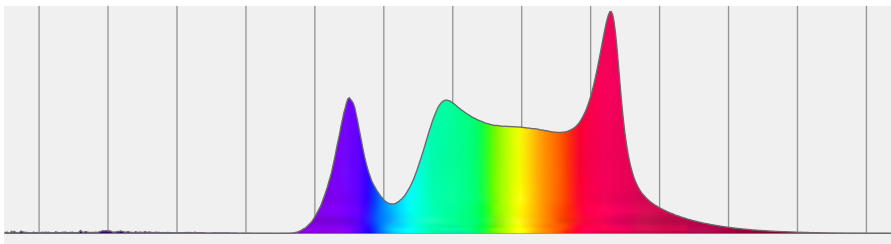
Power: 88.3 W

Efficacy: 53 Lumen/Watt

Measurement Date: 8/23/2022

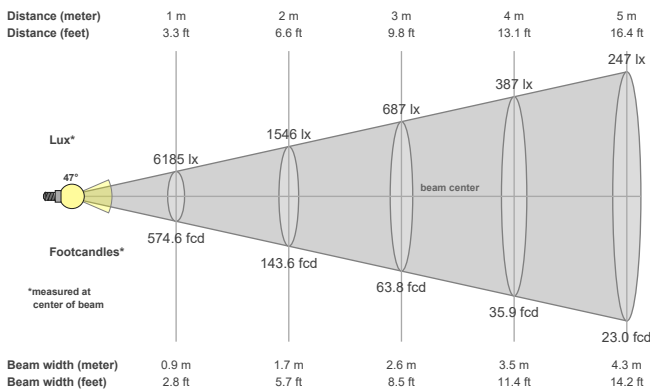


Spectral distribution



Dominant Wavelength	Color coordinate cie 1931	Color coordinate cie 1931	Color coordinate	Color coordinate
nm	x	y	u	v
578	0.376	0.386	0.219	0.337

Beam details



Beam angles

Beam angle 50%	Field angle 10%	Cutoff angle 2,5%
46.8°	89.2°	101.1°

Beam intensities

Peak intensity	Int. ratio in 120° cone	Int. ratio in 90° cone
6187 cd	99.6%	95.3%

Beam Intensities from 1-20m

M	1	2	3	4	5	6	7	8	9	10	11	12	13	14	15	16	17	18	19	20
FT	3.3	6.6	9.8	13.1	16.4	19.7	23	26.2	29.5	32.8	36.1	39.4	42.7	45.9	49.2	52.5	55.8	59.1	62.3	65.6
LX	6185	1546	687	387	247	172	126	97	76	62	51	43	37	32	27	24	21	19	17	15
FC	574.6	143.6	63.8	35.9	23	16	11.7	9	7.1	5.7	4.7	4	3.4	2.9	2.6	2.2	2	1.8	1.6	1.4

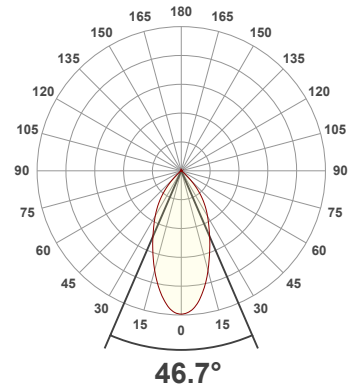
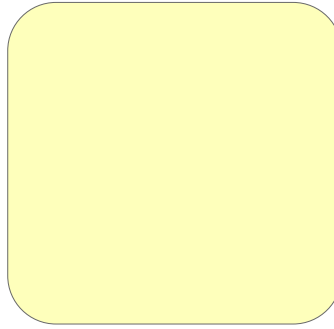
Total Lumen Output: 4685 lm

Voltage: 116 V, Current: 0.798 A

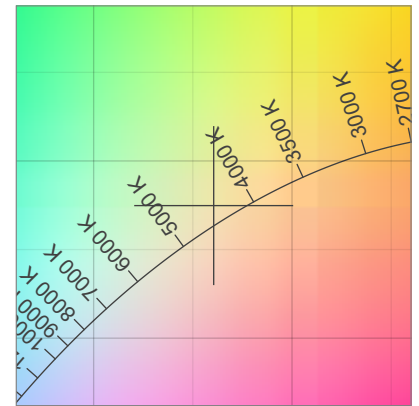
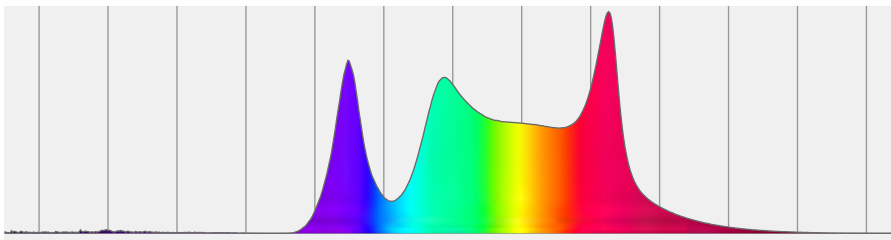
Power: 90.2 W

Efficacy: 52 Lumen/Watt

Measurement Date: 8/23/2022

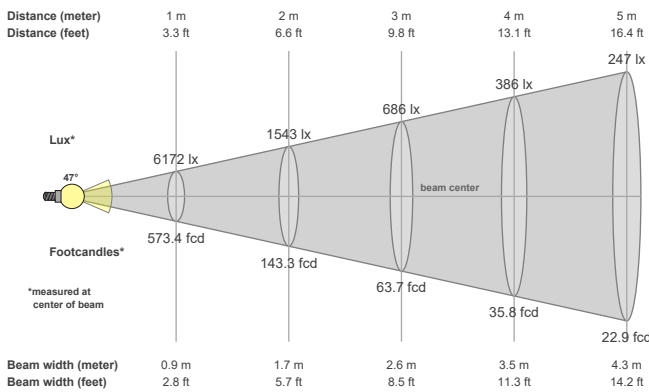


Spectral distribution



Dominant Wavelength	Color coordinate cie 1931	Color coordinate cie 1931	Color coordinate	Color coordinate
nm	x	y	u	v
577	0.361	0.375	0.213	0.332

Beam details



Beam angles

Beam angle 50%	Field angle 10%	Cutoff angle 2,5%
46.7°	89.2°	101°

Beam intensities

Peak intensity	Int. ratio in 120° cone	Int. ratio in 90° cone
6174 cd	99.6%	95.2%

Beam Intensities from 1-20m

M	1	2	3	4	5	6	7	8	9	10	11	12	13	14	15	16	17	18	19	20
FT	3.3	6.6	9.8	13.1	16.4	19.7	23	26.2	29.5	32.8	36.1	39.4	42.7	45.9	49.2	52.5	55.8	59.1	62.3	65.6
LX	6172	1543	686	386	247	171	126	96	76	62	51	43	37	31	27	24	21	19	17	15
FC	573.4	143.3	63.7	35.8	22.9	15.9	11.7	9	7.1	5.7	4.7	4	3.4	2.9	2.5	2.2	2	1.8	1.6	1.4

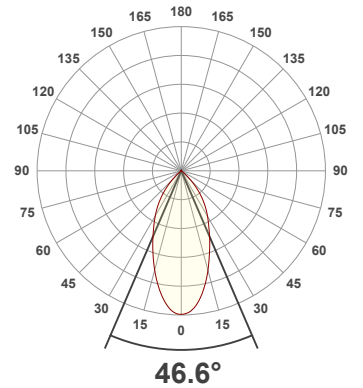
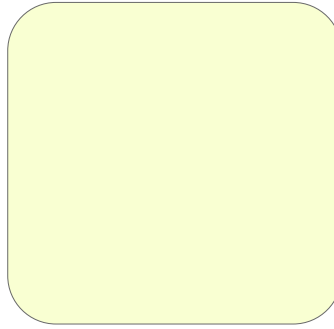
Total Lumen Output: 4626 lm

Voltage: 116 V, Current: 0.784 A

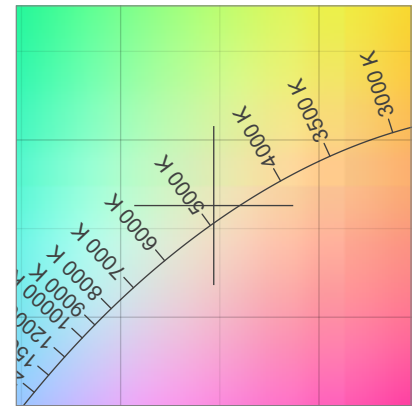
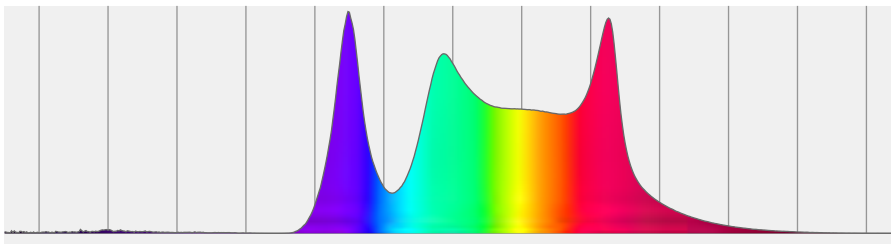
Power: 88.9 W

Efficacy: 52 Lumen/Watt

Measurement Date: 8/23/2022

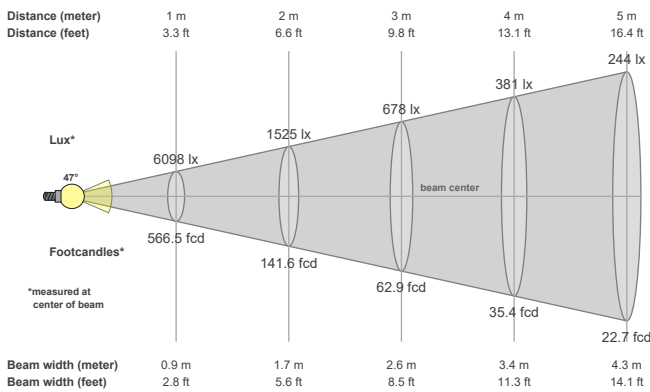


Spectral distribution



Dominant Wavelength	Color coordinate cie 1931	Color coordinate cie 1931	Color coordinate	Color coordinate
nm	x	y	u	v
577	0.347	0.363	0.208	0.327

Beam details



Beam angles

Beam angle 50%	Field angle 10%	Cutoff angle 2,5%
46.6°	89.3°	101°

Beam intensities

Peak intensity	Int. ratio in 120° cone	Int. ratio in 90° cone
6101 cd	99.5%	95.2%

Beam Intensities from 1-20m

M	1	2	3	4	5	6	7	8	9	10	11	12	13	14	15	16	17	18	19	20
FT	3.3	6.6	9.8	13.1	16.4	19.7	23	26.2	29.5	32.8	36.1	39.4	42.7	45.9	49.2	52.5	55.8	59.1	62.3	65.6
LX	6098	1525	678	381	244	169	124	95	75	61	50	42	36	31	27	24	21	19	17	15
FC	566.5	141.6	62.9	35.4	22.7	15.7	11.6	8.9	7	5.7	4.7	3.9	3.4	2.9	2.5	2.2	2	1.7	1.6	1.4

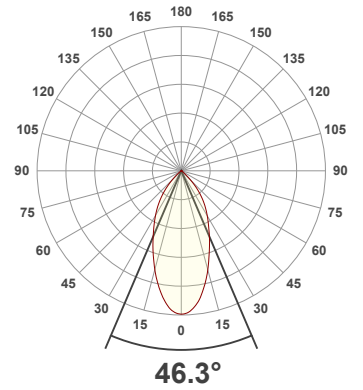
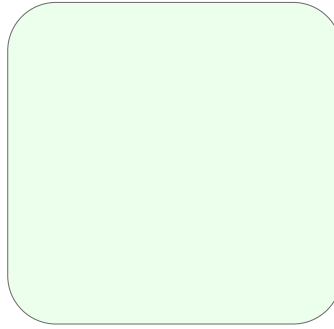
Total Lumen Output: 4531 lm

Voltage: 116 V, Current: 0.806 A

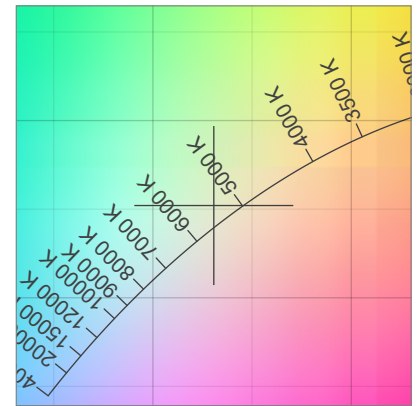
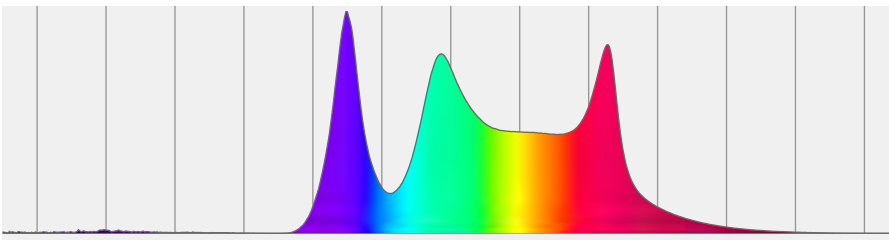
Power: 91.3 W

Efficacy: 50 Lumen/Watt

Measurement Date: 8/23/2022

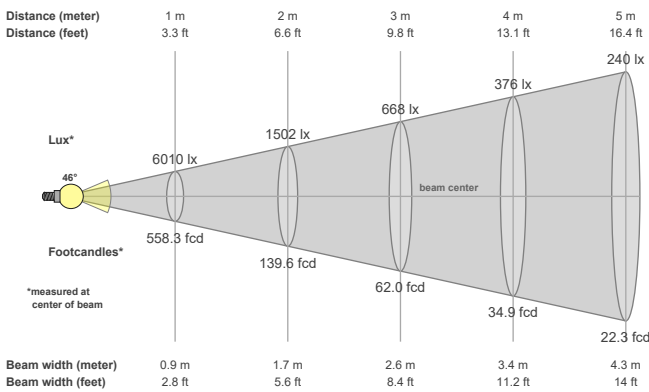


Spectral distribution



Dominant Wavelength	Color coordinate cie 1931	Color coordinate cie 1931	Color coordinate	Color coordinate
nm	x	y	u	v
574	0.331	0.352	0.202	0.322

Beam details



Beam angles

Beam angle 50%	Field angle 10%	Cutoff angle 2,5%
46.3°	89.1°	101°

Beam intensities

Peak intensity	Int. ratio in 120° cone	Int. ratio in 90° cone
6017 cd	99.5%	95.2%

Beam Intensities from 1-20m

M	1	2	3	4	5	6	7	8	9	10	11	12	13	14	15	16	17	18	19	20
FT	3.3	6.6	9.8	13.1	16.4	19.7	23	26.2	29.5	32.8	36.1	39.4	42.7	45.9	49.2	52.5	55.8	59.1	62.3	65.6
LX	6010	1502	668	376	240	167	123	94	74	60	50	42	36	31	27	23	21	19	17	15
FC	558.3	139.6	62	34.9	22.3	15.5	11.4	8.7	6.9	5.6	4.6	3.9	3.3	2.8	2.5	2.2	1.9	1.7	1.5	1.4

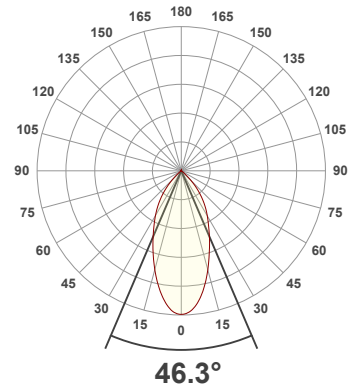
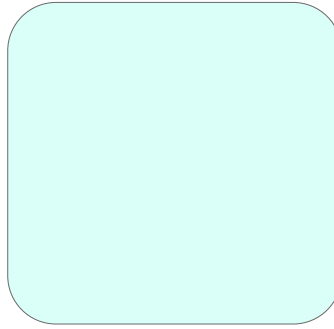
Total Lumen Output: 4466 lm

Voltage: 116 V, Current: 0.807 A

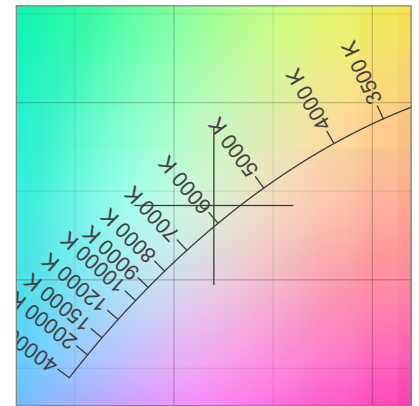
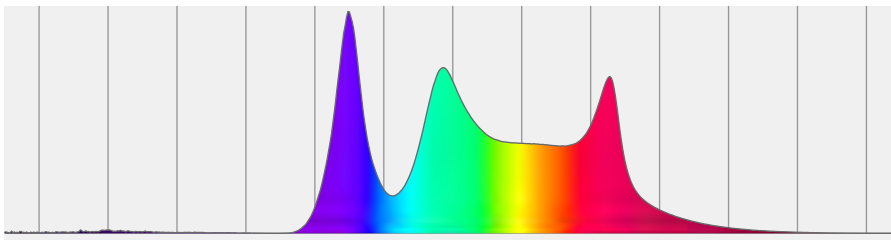
Power: 91.1 W

Efficacy: 49 Lumen/Watt

Measurement Date: 8/23/2022

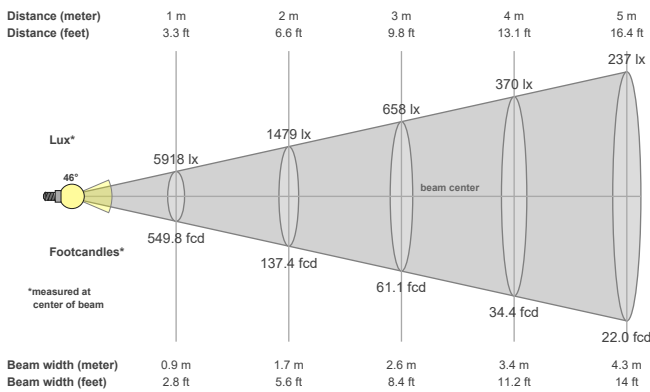


Spectral distribution



Dominant Wavelength	Color coordinate cie 1931	Color coordinate cie 1931	Color coordinate	Color coordinate
nm	x	y	u	v
570	0.320	0.342	0.198	0.317

Beam details



Beam angles

Beam angle 50%	Field angle 10%	Cutoff angle 2,5%
46.3°	89.3°	101.1°

Beam intensities

Peak intensity	Int. ratio in 120° cone	Int. ratio in 90° cone
5920 cd	99.5%	95.2%

Beam Intensities from 1-20m

M	1	2	3	4	5	6	7	8	9	10	11	12	13	14	15	16	17	18	19	20
FT	3.3	6.6	9.8	13.1	16.4	19.7	23	26.2	29.5	32.8	36.1	39.4	42.7	45.9	49.2	52.5	55.8	59.1	62.3	65.6
LX	5918	1479	658	370	237	164	121	92	73	59	49	41	35	30	26	23	20	18	16	15
FC	549.8	137.4	61.1	34.4	22	15.3	11.2	8.6	6.8	5.5	4.5	3.8	3.3	2.8	2.4	2.1	1.9	1.7	1.5	1.4

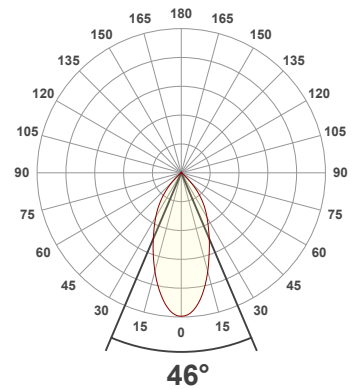
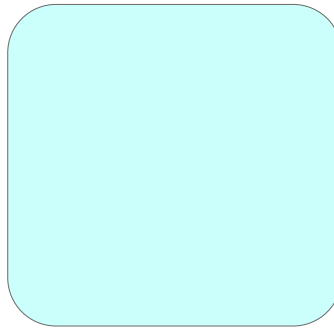
Total Lumen Output: 4382 lm

Voltage: 116 V, Current: 0.806 A

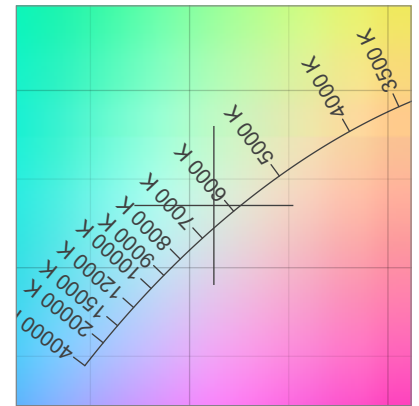
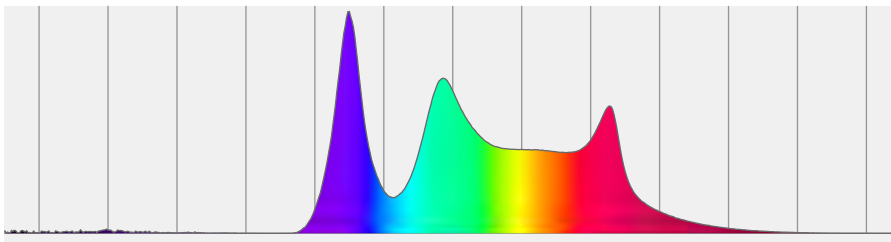
Power: 91.3 W

Efficacy: 48 Lumen/Watt

Measurement Date: 8/23/2022

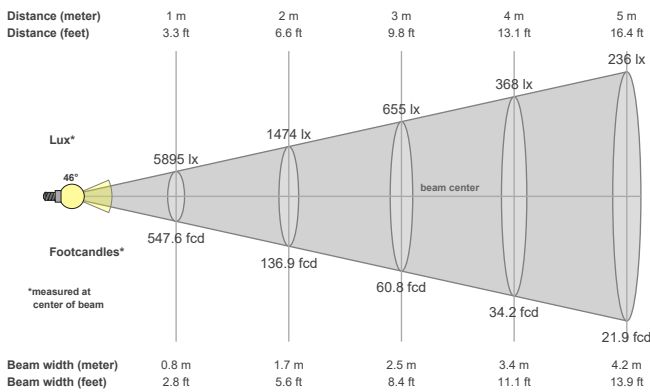


Spectral distribution



Dominant Wavelength	Color coordinate cie 1931	Color coordinate cie 1931	Color coordinate	Color coordinate
nm	x	y	u	v
548	0.312	0.335	0.195	0.314

Beam details



Beam angles

Beam angle 50%	Field angle 10%	Cutoff angle 2,5%
46°	88.8°	100.5°

Beam intensities

Peak intensity	Int. ratio in 120° cone	Int. ratio in 90° cone
5901 cd	99.8%	95.8%

Beam Intensities from 1-20m

M	1	2	3	4	5	6	7	8	9	10	11	12	13	14	15	16	17	18	19	20
FT	3.3	6.6	9.8	13.1	16.4	19.7	23	26.2	29.5	32.8	36.1	39.4	42.7	45.9	49.2	52.5	55.8	59.1	62.3	65.6
LX	5895	1474	655	368	236	164	120	92	73	59	49	41	35	30	26	23	20	18	16	15
FC	547.6	136.9	60.8	34.2	21.9	15.2	11.2	8.6	6.8	5.5	4.5	3.8	3.2	2.8	2.4	2.1	1.9	1.7	1.5	1.4

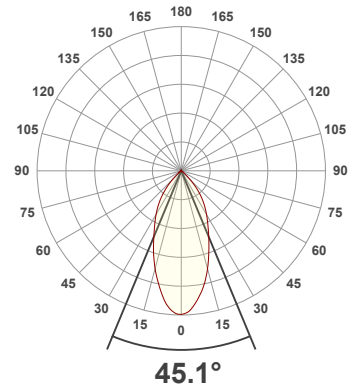
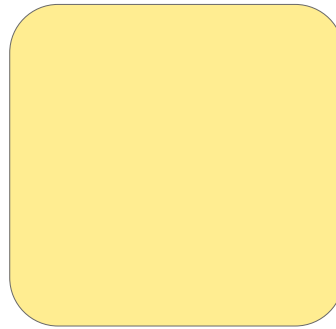
Total Lumen Output: 659 lm

Voltage: 117 V, Current: 0.000 A

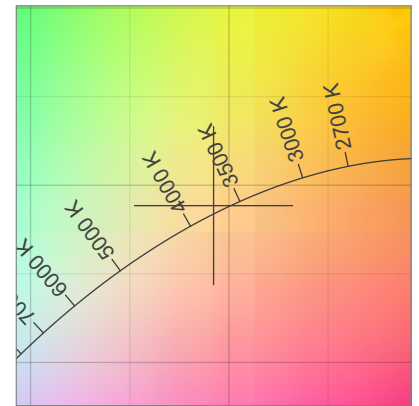
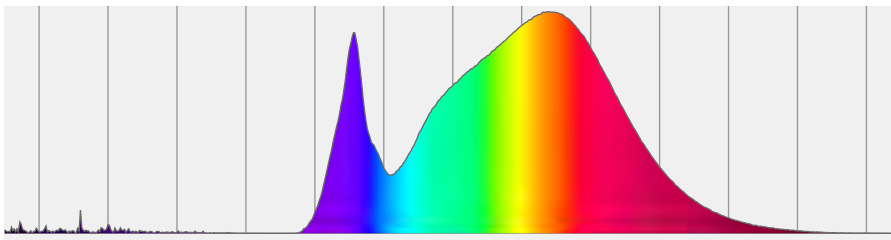
Power: - W

Efficacy: n/a Lumen/Watt

Measurement Date: 8/23/2022

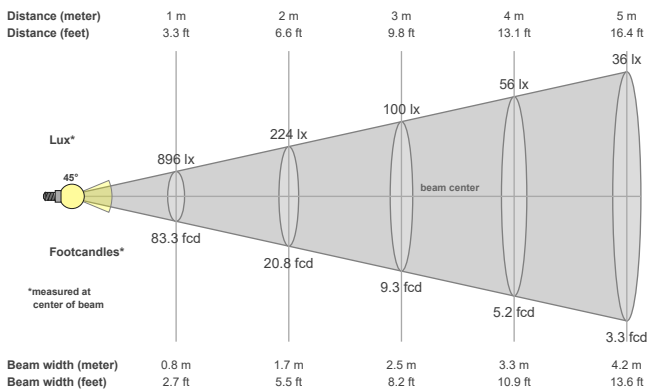


Spectral distribution



Dominant Wavelength	Color coordinate cie 1931	Color coordinate cie 1931	Color coordinate	Color coordinate
nm	x	y	u	v
581	0.392	0.388	0.228	0.339

Beam details



Beam angles

Beam angle 50%	Field angle 10%	Cutoff angle 2,5%
45.1°	88.7°	100.2°

Beam intensities

Peak intensity	Int. ratio in 120° cone	Int. ratio in 90° cone
897 cd	99.8%	95.8%

Beam Intensities from 1-20m

M	1	2	3	4	5	6	7	8	9	10	11	12	13	14	15	16	17	18	19	20
FT	3.3	6.6	9.8	13.1	16.4	19.7	23	26.2	29.5	32.8	36.1	39.4	42.7	45.9	49.2	52.5	55.8	59.1	62.3	65.6
LX	896	224	100	56	36	25	18	14	11	9	7	6	5	5	4	4	3	3	2	2
FC	83.3	20.8	9.3	5.2	3.3	2.3	1.7	1.3	1	0.8	0.7	0.6	0.5	0.4	0.4	0.3	0.3	0.3	0.2	0.2

Fuze Pendant Compact

Photometric Test

100° Lens

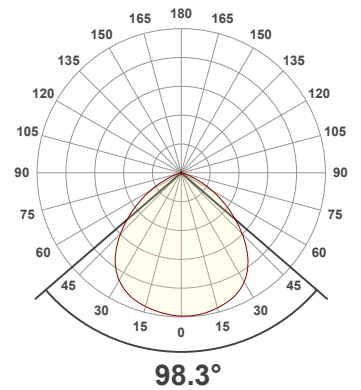
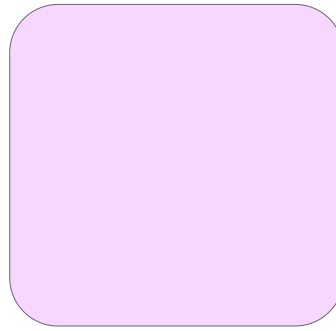
Total Lumen Output: 6181 lm

Voltage: 115 V, Current: 1.40 A

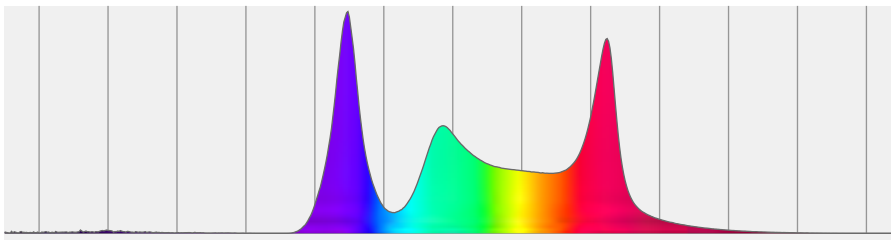
Power: 158.1 W

Efficacy: 39 Lumen/Watt

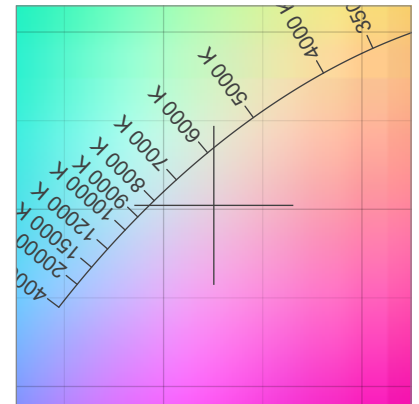
Measurement Date: 8/17/2022



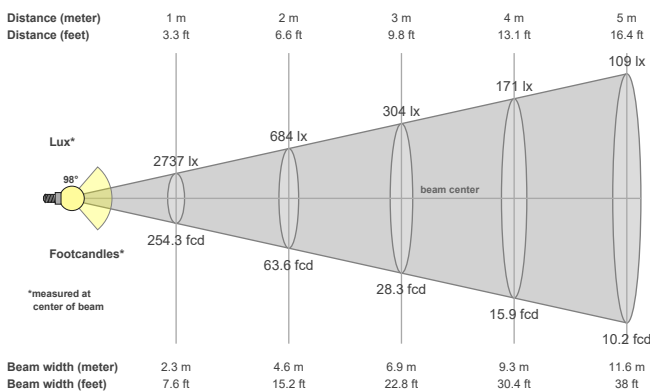
Spectral distribution



Dominant Wavelength	Color coordinate cie 1931	Color coordinate cie 1931	Color coordinate	Color coordinate
nm	x	y	u	v
360	0.325	0.302	0.218	0.303



Beam details



Beam angles

Beam angle 50%	Field angle 10%	Cutoff angle 2,5%
98.3°	135.3°	150.1°

Beam intensities

Peak intensity	Int. ratio in 120° cone	Int. ratio in 90° cone
2741 cd	92.2%	68.1%

Beam Intensities from 1-20m

M	1	2	3	4	5	6	7	8	9	10	11	12	13	14	15	16	17	18	19	20
FT	3.3	6.6	9.8	13.1	16.4	19.7	23	26.2	29.5	32.8	36.1	39.4	42.7	45.9	49.2	52.5	55.8	59.1	62.3	65.6
LX	2737	684	304	171	109	76	56	43	34	27	23	19	16	14	12	11	9	8	8	7
FC	254.3	63.6	28.3	15.9	10.2	7.1	5.2	4	3.1	2.5	2.1	1.8	1.5	1.3	1.1	1	0.9	0.8	0.7	0.6

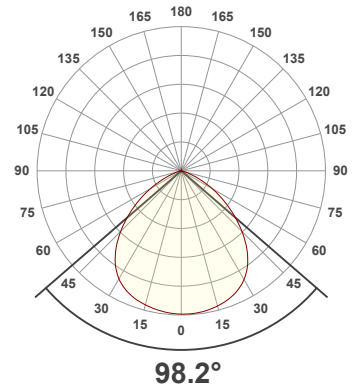
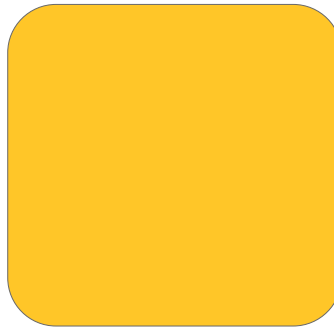
Total Lumen Output: 4420 lm

Voltage: 116 V, Current: 0.810 A

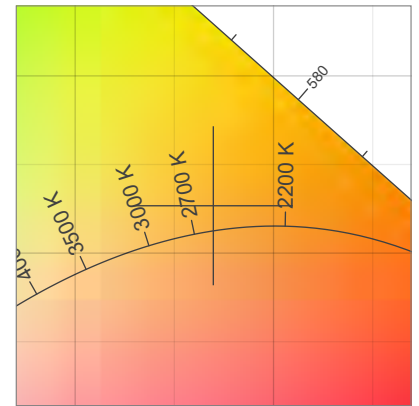
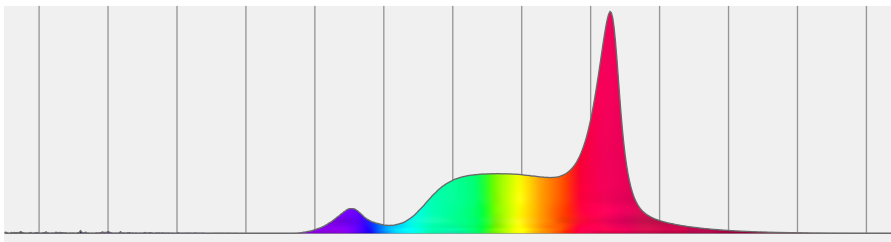
Power: 91.5 W

Efficacy: 48 Lumen/Watt

Measurement Date: 8/16/2022

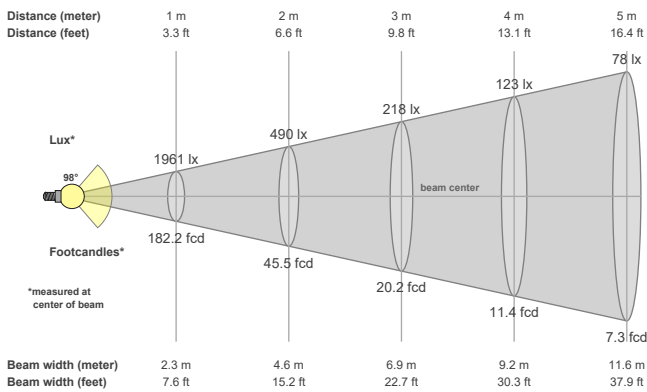


Spectral distribution



Dominant Wavelength	Color coordinate cie 1931	Color coordinate cie 1931	Color coordinate	Color coordinate
nm	x	y	u	v
583	0.470	0.427	0.262	0.357

Beam details



Beam angles

Beam angle 50%	Field angle 10%	Cutoff angle 2,5%
98.2°	135.6°	149.5°

Beam intensities

Peak intensity	Int. ratio in 120° cone	Int. ratio in 90° cone
1961 cd	92.0%	68.0%

Beam Intensities from 1-20m

M	1	2	3	4	5	6	7	8	9	10	11	12	13	14	15	16	17	18	19	20
FT	3.3	6.6	9.8	13.1	16.4	19.7	23	26.2	29.5	32.8	36.1	39.4	42.7	45.9	49.2	52.5	55.8	59.1	62.3	65.6
LX	1961	490	218	123	78	54	40	31	24	20	16	14	12	10	9	8	7	6	5	5
FC	182.2	45.5	20.2	11.4	7.3	5.1	3.7	2.8	2.2	1.8	1.5	1.3	1.1	0.9	0.8	0.7	0.6	0.6	0.5	0.5

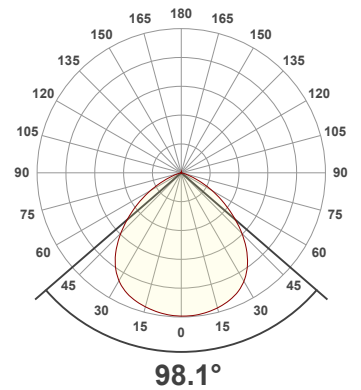
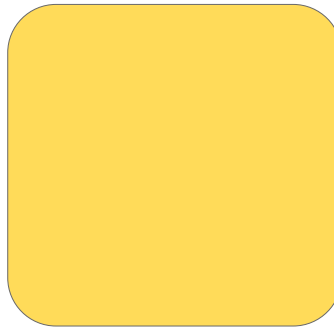
Total Lumen Output: 4237 lm

Voltage: 116 V, Current: 0.839 A

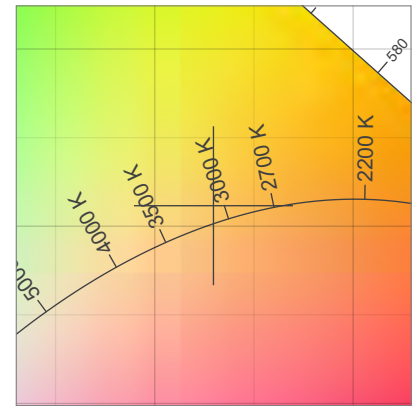
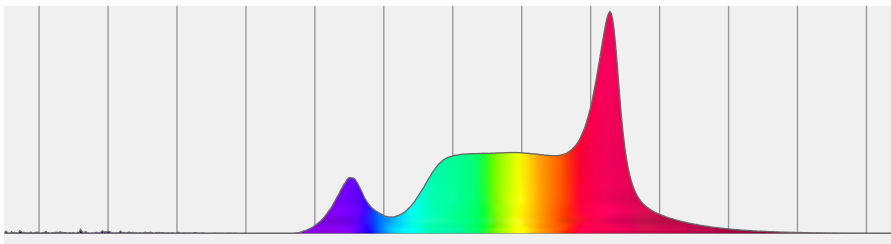
Power: 94.5 W

Efficacy: 45 Lumen/Watt

Measurement Date: 8/16/2022

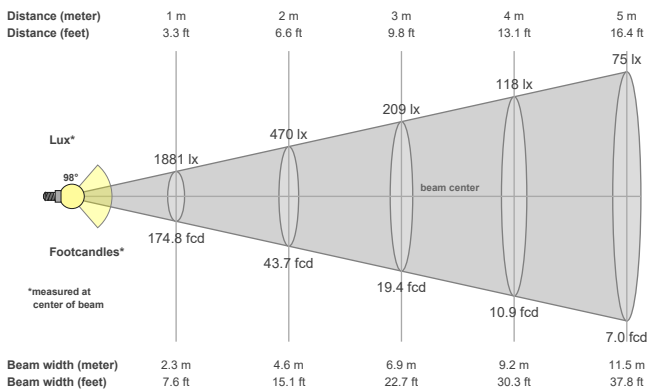


Spectral distribution



Dominant Wavelength	Color coordinate cie 1931	Color coordinate cie 1931	Color coordinate	Color coordinate
nm	x	y	u	v
581	0.430	0.412	0.243	0.349

Beam details



Beam angles

Beam angle 50%	Field angle 10%	Cutoff angle 2,5%
98.1°	135.6°	149.7°

Beam intensities

Peak intensity	Int. ratio in 120° cone	Int. ratio in 90° cone
1882 cd	92.0%	68.0%

Beam Intensities from 1-20m

M	1	2	3	4	5	6	7	8	9	10	11	12	13	14	15	16	17	18	19	20
FT	3.3	6.6	9.8	13.1	16.4	19.7	23	26.2	29.5	32.8	36.1	39.4	42.7	45.9	49.2	52.5	55.8	59.1	62.3	65.6
LX	1881	470	209	118	75	52	38	29	23	19	16	13	11	10	8	7	7	6	5	5
FC	174.8	43.7	19.4	10.9	7	4.9	3.6	2.7	2.2	1.7	1.4	1.2	1	0.9	0.8	0.7	0.6	0.5	0.5	0.4

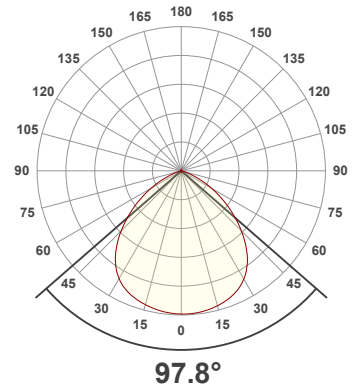
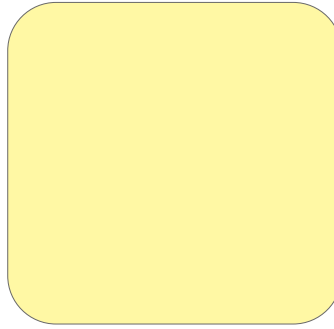
Total Lumen Output: 3976 lm

Voltage: 116 V, Current: 0.784 A

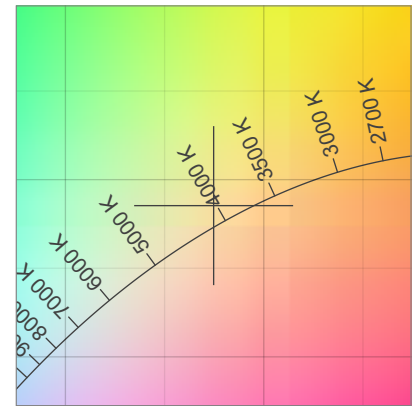
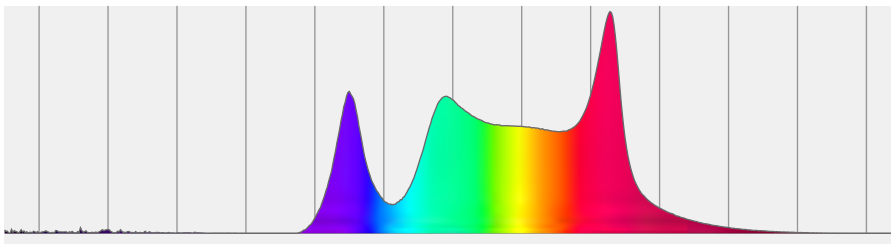
Power: 88.8 W

Efficacy: 45 Lumen/Watt

Measurement Date: 8/16/2022

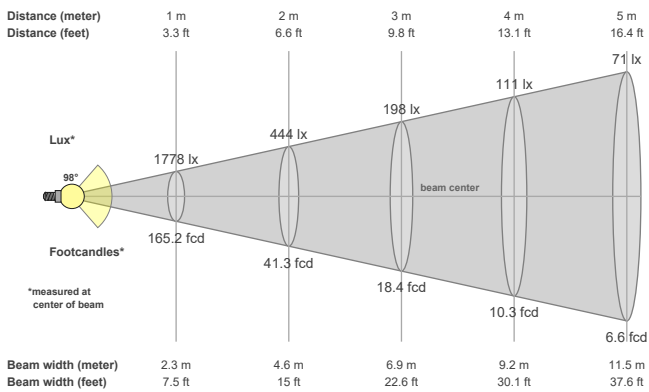


Spectral distribution



Dominant Wavelength	Color coordinate cie 1931	Color coordinate cie 1931	Color coordinate	Color coordinate
nm	x	y	u	v
578	0.375	0.385	0.218	0.336

Beam details



Beam angles

Beam angle 50%	Field angle 10%	Cutoff angle 2,5%
97.8°	134.8°	149°

Beam intensities

Peak intensity	Int. ratio in 120° cone	Int. ratio in 90° cone
1780 cd	92.4%	68.5%

Beam Intensities from 1-20m

M	1	2	3	4	5	6	7	8	9	10	11	12	13	14	15	16	17	18	19	20
FT	3.3	6.6	9.8	13.1	16.4	19.7	23	26.2	29.5	32.8	36.1	39.4	42.7	45.9	49.2	52.5	55.8	59.1	62.3	65.6
LX	1778	444	198	111	71	49	36	28	22	18	15	12	11	9	8	7	6	5	5	4
FC	165.2	41.3	18.4	10.3	6.6	4.6	3.4	2.6	2	1.7	1.4	1.1	1	0.8	0.7	0.6	0.6	0.5	0.5	0.4

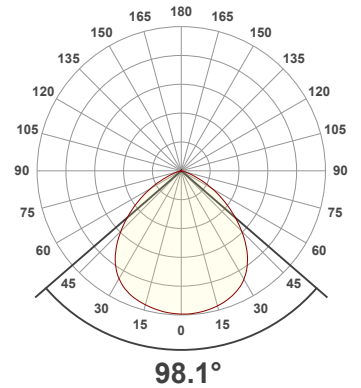
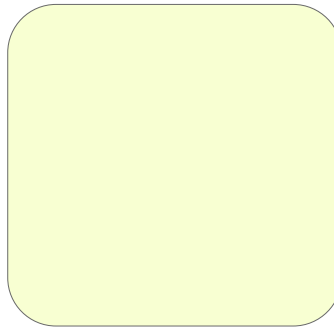
Total Lumen Output: 3855 lm

Voltage: 116 V, Current: 0.782 A

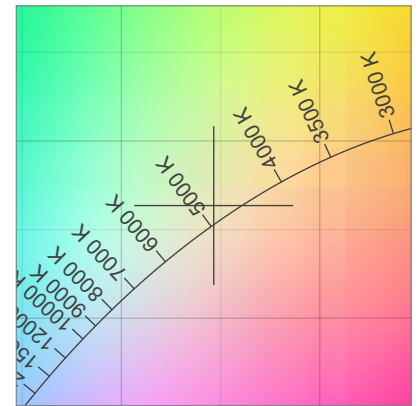
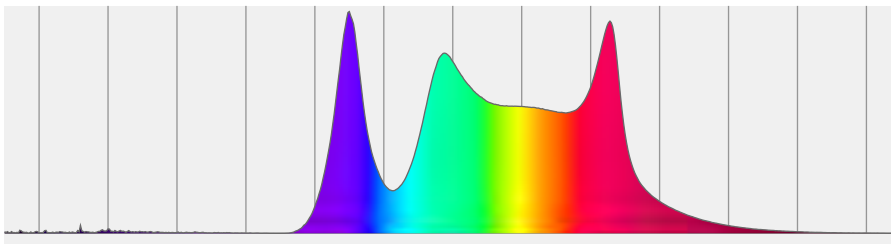
Power: 88.5 W

Efficacy: 44 Lumen/Watt

Measurement Date: 8/16/2022

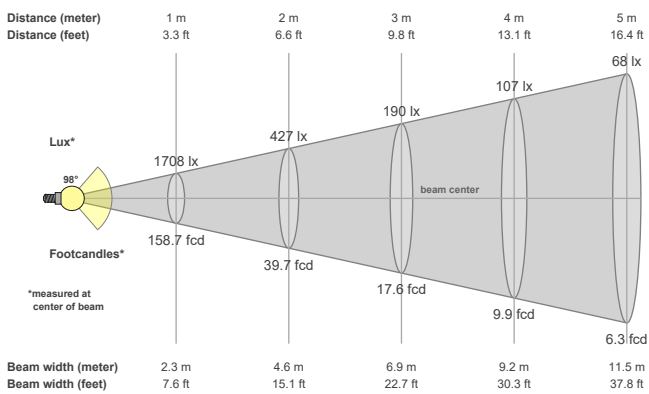


Spectral distribution



Dominant Wavelength	Color coordinate cie 1931	Color coordinate cie 1931	Color coordinate	Color coordinate
nm	x	y	u	v
577	0.347	0.364	0.208	0.327

Beam details



Beam angles

Beam angle 50%	Field angle 10%	Cutoff angle 2,5%
98.1°	135.4°	150.5°

Beam intensities

Peak intensity	Int. ratio in 120° cone	Int. ratio in 90° cone
1710 cd	91.9%	68.0%

Beam Intensities from 1-20m

M	1	2	3	4	5	6	7	8	9	10	11	12	13	14	15	16	17	18	19	20
FT	3.3	6.6	9.8	13.1	16.4	19.7	23	26.2	29.5	32.8	36.1	39.4	42.7	45.9	49.2	52.5	55.8	59.1	62.3	65.6
LX	1708	427	190	107	68	47	35	27	21	17	14	12	10	9	8	7	6	5	5	4
FC	158.7	39.7	17.6	9.9	6.3	4.4	3.2	2.5	2	1.6	1.3	1.1	0.9	0.8	0.7	0.6	0.5	0.5	0.4	0.4

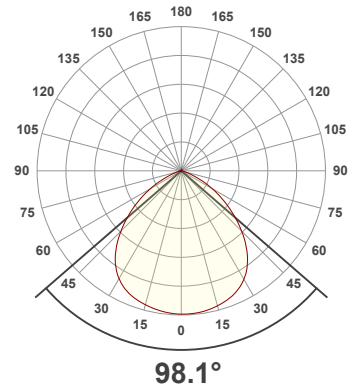
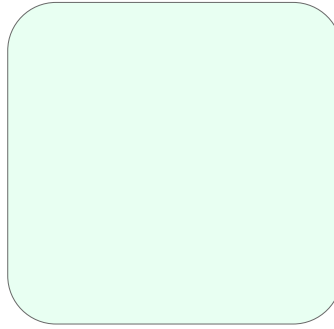
Total Lumen Output: 3753 lm

Voltage: 115 V, Current: 0.811 A

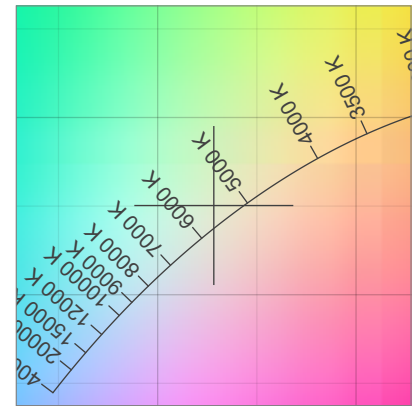
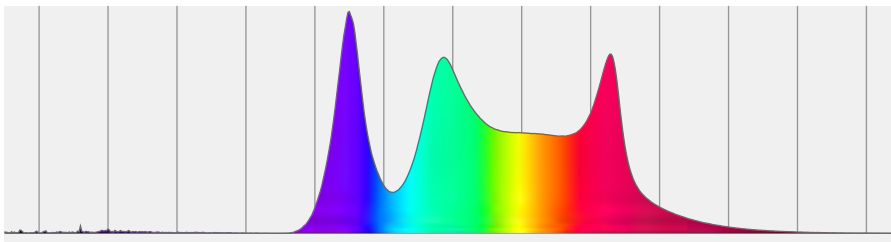
Power: 91.2 W

Efficacy: 41 Lumen/Watt

Measurement Date: 8/16/2022

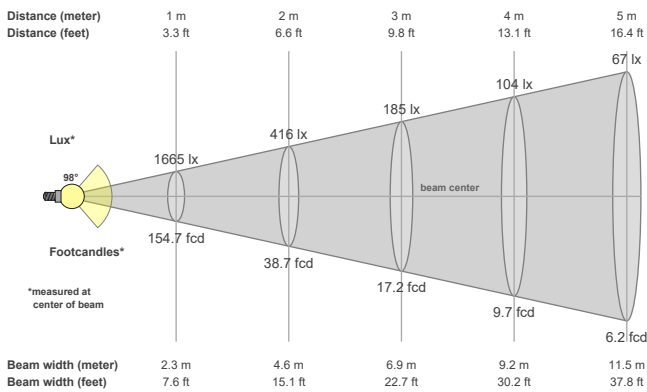


Spectral distribution



Dominant Wavelength	Color coordinate cie 1931	Color coordinate cie 1931	Color coordinate	Color coordinate
nm	x	y	u	v
573	0.328	0.350	0.201	0.321

Beam details



Beam angles

Beam angle 50%	Field angle 10%	Cutoff angle 2,5%
98.1°	135.4°	150.4°

Beam intensities

Peak intensity	Int. ratio in 120° cone	Int. ratio in 90° cone
1666 cd	92.0%	68.1%

Beam Intensities from 1-20m

M	1	2	3	4	5	6	7	8	9	10	11	12	13	14	15	16	17	18	19	20
FT	3.3	6.6	9.8	13.1	16.4	19.7	23	26.2	29.5	32.8	36.1	39.4	42.7	45.9	49.2	52.5	55.8	59.1	62.3	65.6
LX	1665	416	185	104	67	46	34	26	21	17	14	12	10	8	7	7	6	5	5	4
FC	154.7	38.7	17.2	9.7	6.2	4.3	3.2	2.4	1.9	1.5	1.3	1.1	0.9	0.8	0.7	0.6	0.5	0.5	0.4	0.4

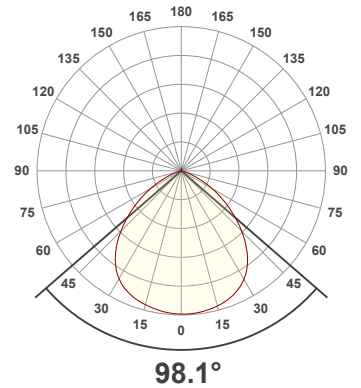
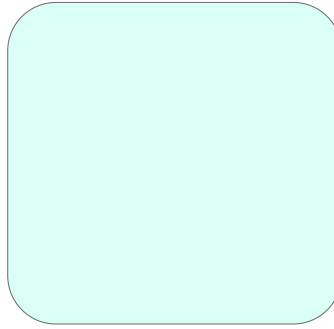
Total Lumen Output: 3725 lm

Voltage: 115 V, Current: 0.810 A

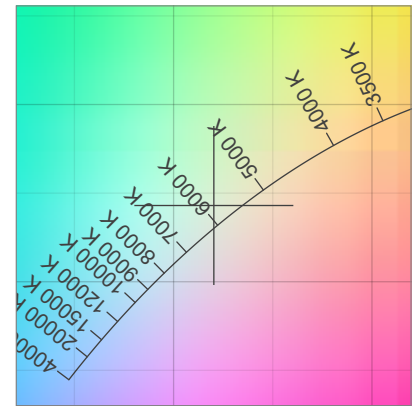
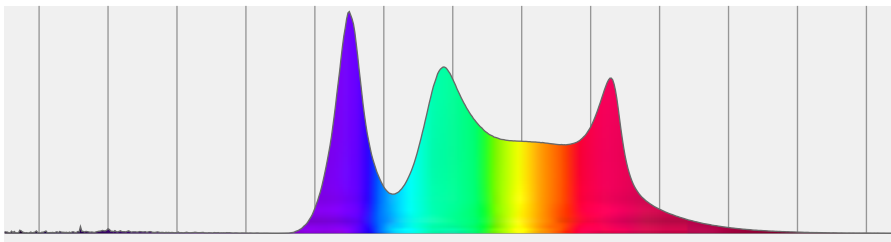
Power: 91.0 W

Efficacy: 41 Lumen/Watt

Measurement Date: 8/16/2022

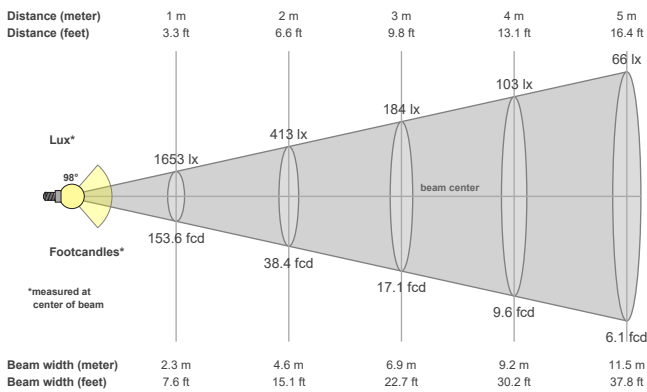


Spectral distribution



Dominant Wavelength	Color coordinate cie 1931	Color coordinate cie 1931	Color coordinate	Color coordinate
nm	x	y	u	v
569	0.320	0.343	0.198	0.318

Beam details



Beam angles

Beam angle 50%	Field angle 10%	Cutoff angle 2,5%
98.1°	135.2°	150.5°

Beam intensities

Peak intensity	Int. ratio in 120° cone	Int. ratio in 90° cone
1654 cd	92.1%	68.2%

Beam Intensities from 1-20m

M	1	2	3	4	5	6	7	8	9	10	11	12	13	14	15	16	17	18	19	20
FT	3.3	6.6	9.8	13.1	16.4	19.7	23	26.2	29.5	32.8	36.1	39.4	42.7	45.9	49.2	52.5	55.8	59.1	62.3	65.6
LX	1653	413	184	103	66	46	34	26	20	17	14	11	10	8	7	6	6	5	5	4
FC	153.6	38.4	17.1	9.6	6.1	4.3	3.1	2.4	1.9	1.5	1.3	1.1	0.9	0.8	0.7	0.6	0.5	0.5	0.4	0.4

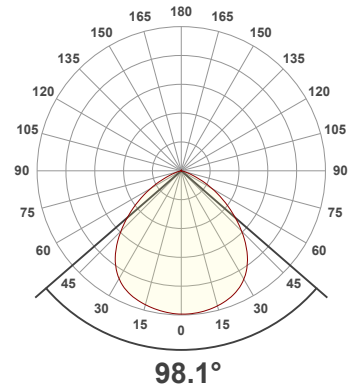
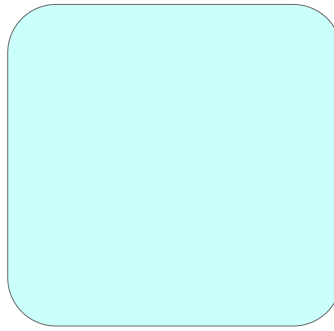
Total Lumen Output: 3716 lm

Voltage: 115 V, Current: 0.809 A

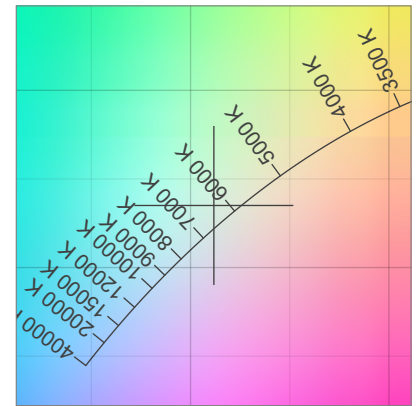
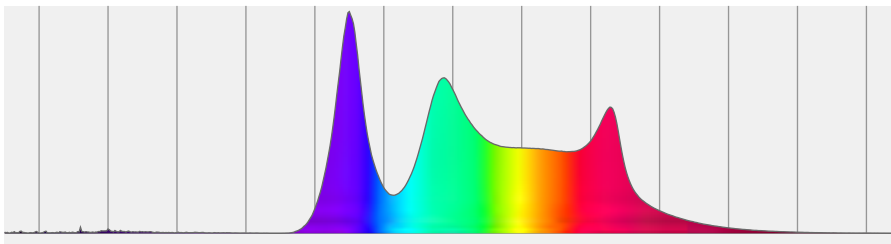
Power: 90.9 W

Efficacy: 41 Lumen/Watt

Measurement Date: 8/16/2022

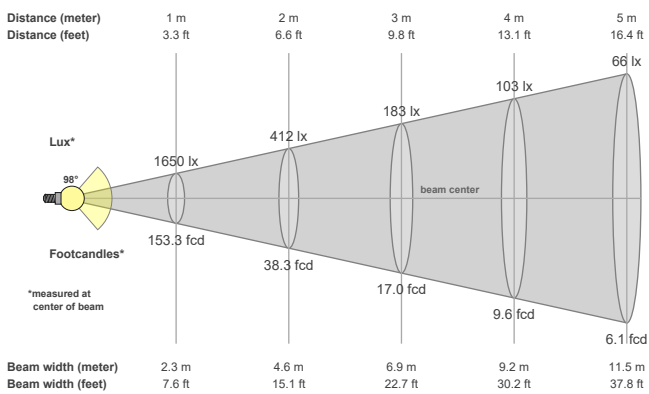


Spectral distribution



Dominant Wavelength	Color coordinate cie 1931	Color coordinate cie 1931	Color coordinate	Color coordinate
nm	x	y	u	v
542	0.312	0.335	0.195	0.314

Beam details



Beam angles

Beam angle 50%	Field angle 10%	Cutoff angle 2,5%
98.1°	135.2°	150.5°

Beam intensities

Peak intensity	Int. ratio in 120° cone	Int. ratio in 90° cone
1651 cd	92.1%	68.2%

Beam Intensities from 1-20m

M	1	2	3	4	5	6	7	8	9	10	11	12	13	14	15	16	17	18	19	20
FT	3.3	6.6	9.8	13.1	16.4	19.7	23	26.2	29.5	32.8	36.1	39.4	42.7	45.9	49.2	52.5	55.8	59.1	62.3	65.6
LX	1650	412	183	103	66	46	34	26	20	16	14	11	10	8	7	6	6	5	5	4
FC	153.3	38.3	17	9.6	6.1	4.3	3.1	2.4	1.9	1.5	1.3	1.1	0.9	0.8	0.7	0.6	0.5	0.5	0.4	0.4

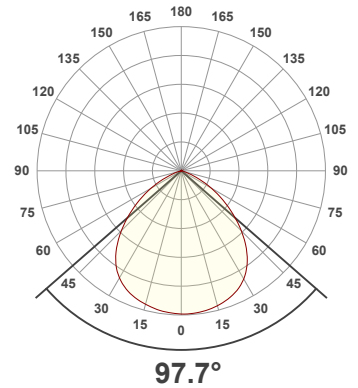
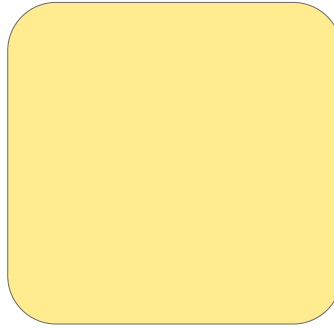
Total Lumen Output: 546 lm

Voltage: 116 V, Current: 0.000 A

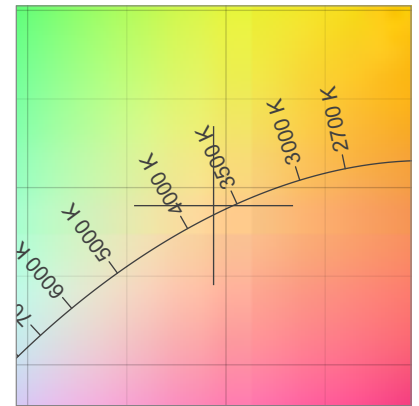
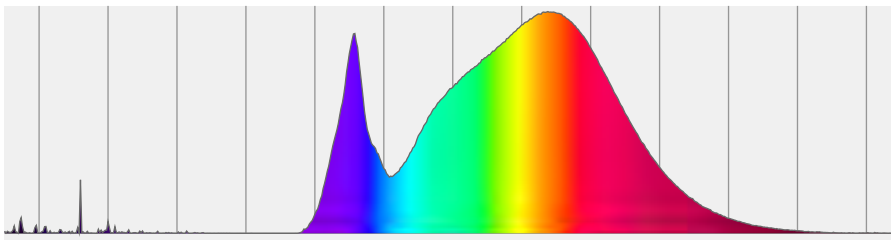
Power: - W

Efficacy: n/a Lumen/Watt

Measurement Date: 8/23/2022

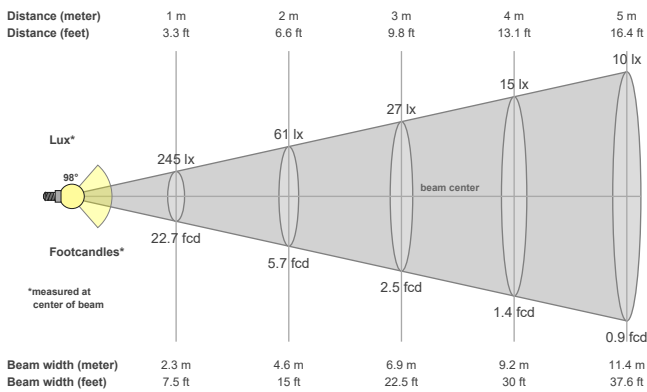


Spectral distribution



Dominant Wavelength	Color coordinate cie 1931	Color coordinate cie 1931	Color coordinate	Color coordinate
nm	x	y	u	v
581	0.394	0.390	0.229	0.339

Beam details



Beam angles

Beam angle 50%	Field angle 10%	Cutoff angle 2,5%
97.7°	134.8°	148.7°

Beam intensities

Peak intensity	Int. ratio in 120° cone	Int. ratio in 90° cone
245 cd	92.4%	68.5%

Beam Intensities from 1-20m

M	1	2	3	4	5	6	7	8	9	10	11	12	13	14	15	16	17	18	19	20
FT	3.3	6.6	9.8	13.1	16.4	19.7	23	26.2	29.5	32.8	36.1	39.4	42.7	45.9	49.2	52.5	55.8	59.1	62.3	65.6
LX	245	61	27	15	10	7	5	4	3	2	2	2	1	1	1	1	1	1	1	1
FC	22.7	5.7	2.5	1.4	0.9	0.6	0.5	0.4	0.3	0.2	0.2	0.2	0.1	0.1	0.1	0.1	0.1	0.1	0.1	0.1