



# FUZE PROFILE™

user manual

©2022 ELATION PROFESSIONAL all rights reserved. Information, specifications, diagrams, images, and instructions herein are subject to change without notice. ELATION PROFESSIONAL logo and identifying product names and numbers herein are trademarks of ELATION PROFESSIONAL. Copyright protection claimed includes all forms and matters of copyrightable materials and information now allowed by statutory or judicial law or hereinafter granted. Product names used in this document may be trademarks or registered trademarks of their respective companies and are hereby acknowledged. All non-ELATION brands and product names are trademarks or registered trademarks of their respective companies.

**ELATION PROFESSIONAL** and all affiliated companies hereby disclaim any and all liabilities for property, equipment, building, and electrical damages, injuries to any persons, and direct or indirect economic loss associated with the use or reliance of any information contained within this document, and/or as a result of the improper, unsafe, insufficient and negligent assembly, installation, rigging, and operation of this product.

**Elation Professional USA** | 6122 S. Eastern Ave. | Los Angeles, CA. 90040  
323-582-3322 | 323-832-9142 fax | [www.elationlighting.com](http://www.elationlighting.com) | [info@elationlighting.com](mailto:info@elationlighting.com)

**Elation Professional B.V.** | Junostraat 2 | 6468 EW Kerkrade, The Netherlands  
+31 45 546 85 66 | +31 45 546 85 96 fax | [www.elationlighting.eu](http://www.elationlighting.eu) | [info@elationlighting.eu](mailto:info@elationlighting.eu)

**Elation Professional Mexico** | AV Santa Ana 30 | Parque Industrial Lerma, Lerma, Mexico 52000  
+52 (728) 282-7070

## DOCUMENT VERSION



Due to additional product features and/or enhancements, an updated version of this document may be available online. Please scan the QR Code with your mobile device or visit [www.elationlighting.com](http://www.elationlighting.com) for the latest revision/update of this manual, before installation and/or programming.

Date	Document Version	Software Version ≥	DMX Channel Modes	Notes
08/18/19	1.0	1.0.4	(RGBMA 38 / 59) (CMY 36 / 55)	Initial release.
08/28/19	1.1	N/C	NO CHANGE	Updated default DMX values for RGBMA.
09/13/19	1.2	N/C	NO CHANGE	Updated blade rotation degrees (+/-60°)
05/12/20	1.3	N/C	NO CHANGE	Updated Installation Guidelines
07/02/20	1.4	N/C	NO CHANGE	Updated Specifications
02/23/21	1.5	1.08	NO CHANGE	Updated DMX Channel Functions & System Menu, primary/secondary mode update
03/31/21	1.6	1.09	NO CHANGE	Updated system menu
08/25/22	1.7	N/C	NO CHANGE	Added Limited Warranty, Fixture Transport and Handling, RDM, fan Modes, Dimmer Curves.

# CONTENTS

General Information	4
Limited Warranty (USA Only)	5
Warranty Returns (USA Only)	6
Safety Guidelines	7
Fixture Transport and Handling	9
Maintenance Guidelines	10
Fixture Overview	11
Colors	12
Gobos and Animation Wheels	13
Custom Gobos	14
Gobo Replacement	15
Snoot Installation	18
Installation Guidelines	19
Remote Device Management (RDM)	23
System Menu	24
Color LED Programming Guidelines	27
Fan Modes	28
DMX Channel Functions and Values	29
Color Temperature	39
Virtual Gel Swatch Book Table	40
Dimmer Curves	41
Software Updates	42
Error Codes	43
Specifications	44
Dimensional Drawings	45
Optional Accessories	47
FCC Statement	48

# GENERAL INFORMATION

## INTRODUCTION

Please read and understand the instructions in this manual carefully and thoroughly before attempting to operate this device. These instructions contain important safety and use information. **This device is intended for use by professionally trained personnel only, and is not suitable for private use.**

## UNPACKING

Every device has been thoroughly tested and has been shipped in perfect operating condition. Carefully check the shipping carton for damage that may have occurred during shipping. If the carton is damaged, carefully inspect the device for damage, and be sure all accessories necessary to install and operate the device have arrived intact. In the event damage has been found or parts are missing, please contact our customer support team for further instructions. Please do not return this device to your dealer without first contacting customer support. Please do not discard the shipping carton in the trash. Please recycle whenever possible.

## BOX CONTENTS

Snoot  
Omega Brackets (x2)  
Locking Power Cable (x1)

## CUSTOMER SUPPORT

Contact **ELATION Service** for any product related service and support needs. Also visit [forums.elationlighting.com](https://forums.elationlighting.com) with questions, comments or suggestions.

**ELATION SERVICE USA - Monday - Friday 8:00am to 4:30pm PST**  
323-582-3322 | Fax 323-832-9142 | [support@elationlighting.com](mailto:support@elationlighting.com)

**ELATION SERVICE EUROPE - Monday - Friday 08:30 to 17:00 CET**  
+31 45 546 85 63 | Fax +31 45 546 85 96 | [support@elationlighting.eu](mailto:support@elationlighting.eu)

**REPLACEMENT PARTS** please visit [parts.elationlighting.com](https://parts.elationlighting.com)

## LIMITED WARRANTY (USA ONLY)

- A. Elation Professional hereby warrants, to the original purchaser, Elation Professional products to be free of manufacturing defects in material and workmanship for a period of two years (730 days), and Elation Professional product rechargeable batteries to be free of manufacturing defects in material and workmanship for a period of six months (180 days), from the original date of purchase. This warranty excludes discharge lamps and all product accessories. This warranty shall be valid only if the product is purchased within the United States of America, including possessions and territories. It is the owner's responsibility to establish the date and place of purchase by acceptable evidence, at the time service is sought.
- B. For warranty service, send the product only to the Elation Professional factory. All shipping charges must be pre-paid. If the requested repairs or service (including parts replacement) are within the terms of this warranty, Elation Professional will pay return shipping charges only to a designated point within the United States. If any product is sent, it must be shipped in its original package and packaging material. No accessories should be shipped with the product. If any accessories are shipped with the product, Elation Professional shall have no liability what-so-ever for loss and/or or damage to any such accessories, nor for the safe return thereof.
- C. This warranty is void if the product serial number and/or labels are altered or removed; if the product is modified in any manner which Elation Professional concludes, after inspection, affects the reliability of the product; if the product has been repaired or serviced by anyone other than the Elation Professional factory unless prior written authorization was issued to purchaser by Elation Professional; if the product is damaged because not properly maintained as set forth in the product instructions, guidelines and/or user manual.
- D. This is not a service contract, and this warranty does not include any maintenance, cleaning or periodic check-up. During the periods as specified above, Elation Professional will replace defective parts at its expense, and will absorb all expenses for warranty service and repair labor by reason of defects in material or workmanship. The sole responsibility of Elation Professional under this warranty shall be limited to the repair of the product, or replacement thereof, including parts, at the sole discretion of Elation Professional. All products covered by this warranty were manufactured after January 1, 1990, and bare identifying marks to that effect.
- E. Elation Professional reserves the right to make changes in design and/or performance improvements upon its products without any obligation to include these changes in any products theretofore manufactured.
- F. No warranty, whether expressed or implied, is given or made with respect to any accessory supplied with the products described above. Except to the extent prohibited by applicable law, all implied warranties made by Elation Professional in connection with this product, including warranties of merchantability or fitness, are limited in duration to the warranty periods set forth above. And no warranties, whether expressed or implied, including warranties of merchantability or fitness, shall apply to this product after said periods have expired. The consumer's and/or dealer's sole remedy shall be such repair or replacement as is expressly provided above; and under no circumstances shall Elation Professional be liable for any loss and/or damage, direct and/or consequential, arising out of the use of, and/or the inability to use, this product.
- G. This warranty is the only written warranty applicable to Elation Professional products and supersedes all prior warranties and written descriptions of warranty terms and conditions heretofore published.

## **WARRANTY RETURNS (USA ONLY)**

To obtain warranty service, a Return Materials Authorization (RMA) number must first be obtained from ELATION. It is the Customer's responsibility to provide product proof of purchase and serial number by acceptable evidence such as an invoice copy or an approved ELATION Extended Warranty Certificate ("EWC") and any relevant maintenance records at the time warranty service is sought. Failure to provide acceptable evidence of product proof of purchase or EWC and any relevant maintenance records may be cause for denial of warranty service.

Products returned for warranty service must be sent without any accessories (i.e., power, data, and safety cables, brackets, clamps, rigging hardware, frost filters, gel frames, barn doors, lens, hoses, nozzles, rack mounting hardware, etc.), must be boxed using the original and/or suitable packaging materials (double-box and foam) that provides ample product protection for ground and/or air freight transit, and must be shipped freight pre-paid and insured to ELATION in Los Angeles, CA or an ELATION Authorized Service Center. The RMA number must be clearly written on the outside of the return box, and a brief description of the problem and the RMA number must be documented and included in the box.

Products returned for warranty service without an RMA number clearly marked on the outside of the package will be refused and returned to the shipper at the Customer's expense. Products returned for warranty service, which are received damaged due to inadequate and/or improper packaging and/or due to damage caused by shipping carrier, may incur additional repair charges before warranty service begins and/or may void this warranty. If any product accessories (included and/or optional) are shipped with the product, ELATION and/or the ELATION Authorized Service Center shall have no liability what so ever for the loss and/or damage to any such accessories, nor the safe return thereof. If the requested warranty repairs or service (including parts replacement) are within the terms of this warranty, ELATION will pay return ground transportation shipping charges to a single designated point within the United States.

# SAFETY GUIDELINES

This fixture is a sophisticated piece of electronic equipment. To guarantee a smooth operation, it is important to follow all instructions and guidelines in this manual. Elation Professional is not responsible for injury and/or damages resulting from the misuse of this fixture due to the disregard of the information printed in this manual. Only qualified and/or certified personnel should perform installation of this fixture and only the original rigging parts (omega brackets) included with this fixture should be used for installation. Any modifications to the fixture and/or the included mounting hardware will void the original manufactures warranty and increase the risk of damage and/or personal injury.



## **PROTECTION CLASS 1 - FIXTURE MUST BE PROPERLY GROUNDED**



**THERE ARE NO USER SERVICEABLE PARTS INSIDE THIS UNIT.  
DO NOT ATTEMPT ANY REPAIRS YOURSELF; DOING SO WILL VOID YOUR MANUFACTURES WARRANTY. DAMAGES RESULTING FROM MODIFICATIONS TO THIS FIXTURE AND/OR THE DISREGARD OF SAFETY INSTRUCTIONS AND GUIDELINES IN THIS MANUAL VOID THE MANUFACTURES WARRANTY AND ARE NOT SUBJECT TO ANY WARRANTY CLAIMS AND/OR REPAIRS.**



**DO NOT PLUG FIXTURE INTO A DIMMER PACK!  
NEVER OPEN THIS FIXTURE WHILE IN USE!  
UNPLUG POWER BEFORE SERVICING FIXTURE!  
NEVER TOUCH FIXTURE DURING OPERATION, AS IT MAY BE HOT!  
KEEP FLAMMABLE MATERIALS AWAY FROM FIXTURE!**



**NEVER LOOK DIRECTLY INTO THE LIGHT SOURCE!  
RETINA INJURY RISK - MAY INDUCE BLINDNESS!  
SENSITIVE PERSONS MAY SUFFER AN EPILEPTIC SHOCK!**



**INDOOR / DRY LOCATIONS USE ONLY!  
DO NOT EXPOSE FIXTURE TO RAIN AND MOISTURE!**



**MINIMUM DISTANCE TO OBJECTS/SURFACES  
MUST BE 1.6 FOOT (0.5 METER)  
MINIMUM DISTANCE OF INFLAMMABLE MATERIALS  
FROM THE SURFACE 1.6 FEET (0.5 METER)  
MAXIMUM AMBIENT OPERATING TEMPERATURE 113°F (45°C)**

## SAFETY GUIDELINES

- **DO NOT TOUCH** the fixture housing during operation. Turn OFF the power and allow approximately 15 minutes for the fixture to cool down before serving.
- **DO NOT** shake fixture, avoid brute force when installing and/or operating fixture.
- **DO NOT** operate fixture if the power cord is frayed, crimped, damaged and/or if any of the power cord connectors are damaged and do not insert into the fixture securely with ease. **NEVER** force a power cord connector into the fixture. If the power cord or any of its connectors are damaged, replace it immediately with a new one of similar power rating.
- **DO NOT** block any air ventilation slots.
- All fan and air inlets must remain clean and never blocked.
- Allow approx. 6" (15cm) between fixture and other devices or a wall for proper cooling.
- Always disconnect fixture from main power source before performing any type of service and/or cleaning procedure. Only handle the power cord by the plug end, never pull out the plug by tugging the wire portion of the cord.
- During the initial operation of this fixture, a light smoke or smell may emit from the interior of the fixture. This is a normal process and is caused by excess paint in the interior of the casing burning off from the heat associated with the lamp and will decrease gradually over time.
- Consistent operational breaks will ensure fixture will function properly for many years.
- **ONLY** use the original packaging and materials to transport the fixture in for service.

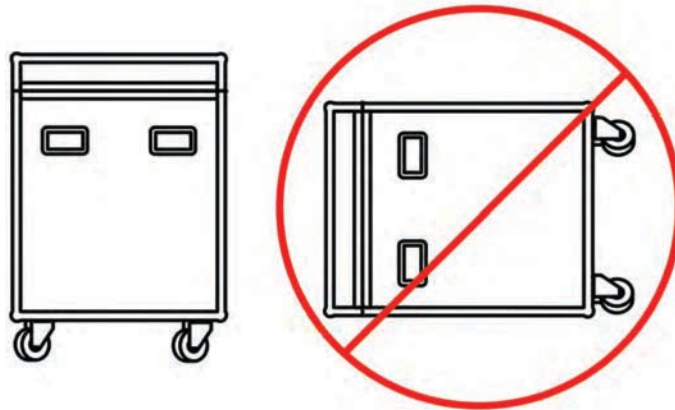


## FIXTURE TRANSPORT AND HANDLING

The device is a large format fixture that contains delicate optics and glass filters. While this product was carefully designed to be roadworthy, it must be handled carefully during transportation. Before transport, ensure that the color flags inside the unit are placed in an OPEN position. For superior impact protection, the fixture is shipped in a custom fitted high-density Foam Inlay (FIL). This FIL must be used inside the road-cases for transportation.

**DO NOT** tip the case over, and avoid all shocks and rough handling.

**DO NOT** tip the fixture-case over to its side and onto a hard surface. The case must ride on its wheels so that the fixture-head remains horizontal during transportation.



# MAINTENANCE GUIDELINES



**DISCONNECT POWER BEFORE PERFORMING ANY MAINTENANCE!**

## CLEANING

Frequent cleaning is recommended to insure proper function, optimized light output, and an extended life. The frequency of cleaning depends on the environment in which the fixture operates: damp, smoky or particularly dirty environments can cause greater accumulation of dirt on the fixture's optics. Clean the external lens surface at least every 20 days with a soft cloth to avoid dirt/debris accumulation.

**NEVER** use alcohol, solvents, or ammonia-based cleaners.

## MAINTENANCE

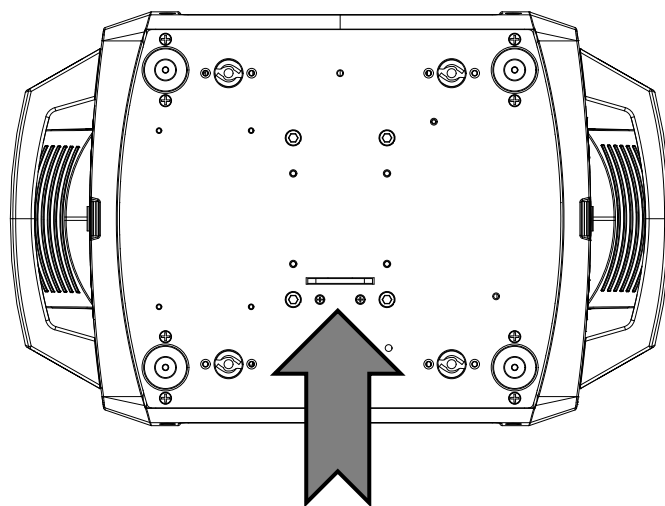
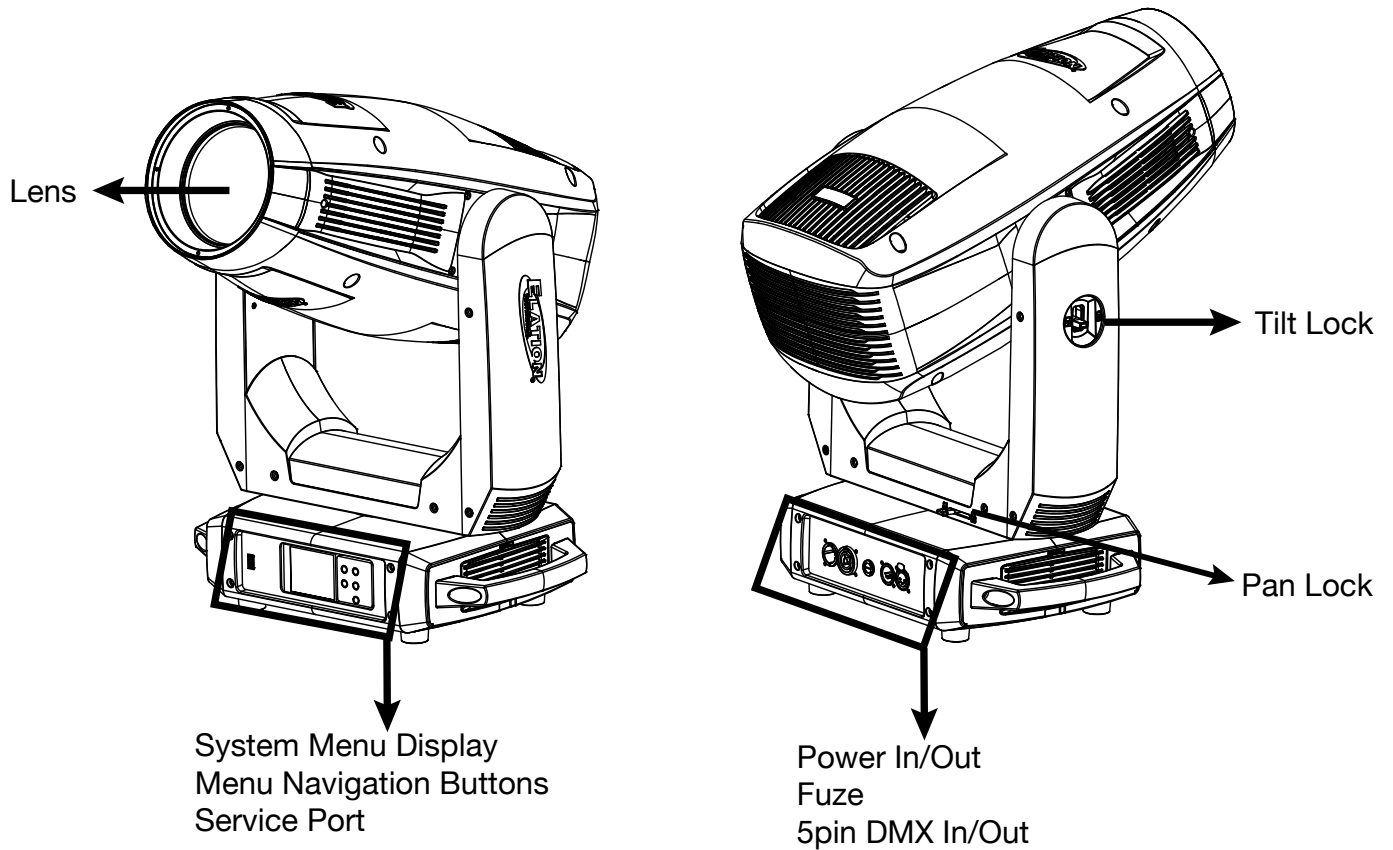
Regular inspections are recommended to insure proper function and extended life. There are no user serviceable parts inside this fixture, please refer all other service issues to an authorized Elation service technician. Should you need any spare parts, please order genuine parts from an authorized Elation dealer.

Please refer to the following points during routine inspections:

- A detailed electric check by an approved electrical engineer every three months, to make sure the circuit contacts are in good condition and prevent overheating.
- Be sure all screws and fasteners are securely tightened at all times. Loose screws may fall out during normal operation resulting in damage or injury as larger parts could fall.
- Check for any deformations on the housing, color lenses, rigging hardware and rigging points (ceiling, suspension, trussing). Deformations in the housing could allow for dust to enter into the fixture. Damaged rigging points or unsecured rigging could cause the fixture to fall and seriously injure a person(s).
- Electric power supply cables must not show any damage, material fatigue or sediments.

**NEVER** remove the ground prong from the power cable.

# FIXTURE OVERVIEW



**SAFETY CABLE  
ATTACHMENT POINT**



**ALWAYS ATTACH A SAFETY CABLE WHENEVER INSTALLING THIS DEVICE IN A SUSPENDED ENVIRONMENT TO ENSURE THE FIXTURE WILL NOT DROP IF THE CLAMP FAILS.**

# COLORS

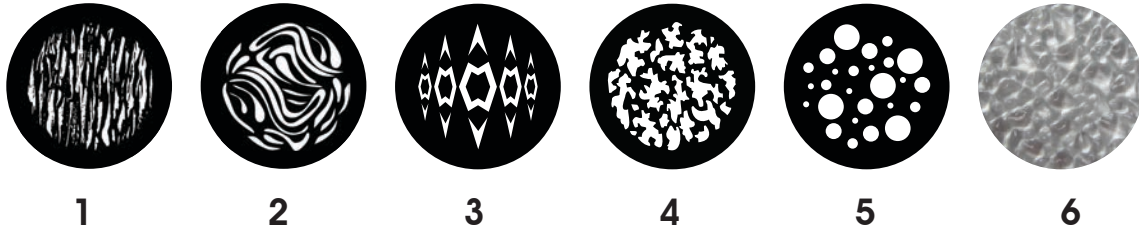
Colors	Color Temperature	Green Shift
Cyan	2700K – 8500K	Full Minus Green to Neutral
Magenta		
Yellow		
Red		Neutral White
Green		
Blue		Neutral to Full Plus Green
Mint		
Amber		

## Virtual Gel Swatch Book Colors

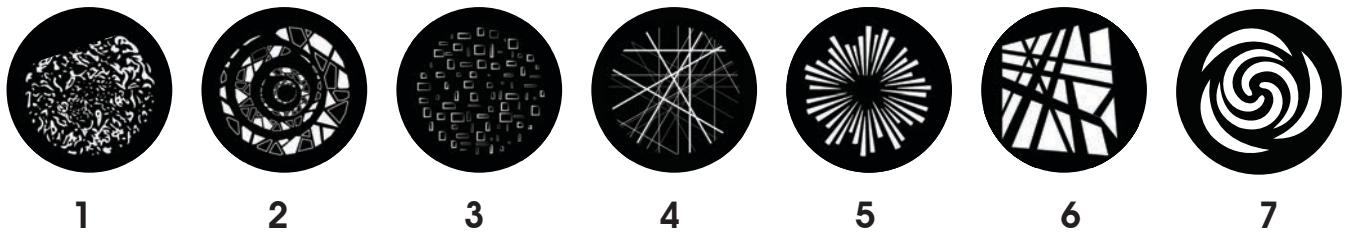
7	Pale Yellow	157	Pink	68	Sky Blue
103	Straw	36	Medium Pink	143	Pale Navy Blue
151	Gold Tint	111	Dark Pink	131	Marine Blue
100	Spring Yellow	128	Bright Pink	115	Peacock Blue
10	Medium Yellow	148	Bright Rose	172	Lagoon Blue
101	Yellow	332	Special Rose Pink	116	Medium Blue Green
104	Deep Amber	793	Vanity Fair	90	Dark Yellow Green
15	Deep Straw	113	Magenta	139	Primary Green
179	Loving Amber	46	Dark Magenta	122	Fern Green
21	Gold Amber	48	Rose Purple	89	Moss Green
105	Orange	126	Mauve	124	Dark Green
158	Deep Orange	49	Medium Purple	88	Lime Green
22	Dark Amber	58	Lavender	138	Pale Green
778	Millennium Gold	199	Palace Blue	203	Quarter CT Blue
135	Deep Golden Amber	119	Dark Blue	202	Half CT Blue
24	Scarlet	132	Medium Blue	201	FULL CT Blue
106	Primary Red	120	Deep Blue	200	Double CT Blue
26	Bright Red	165	Daylight Blue	206	Quarter CT Orange
27	Medium Red	161	Slate Blue	205	Half CT Orange
19	Fire	118	Light Blue	204	FULL CT Orange

# GOBOS AND ANIMATION WHEELS

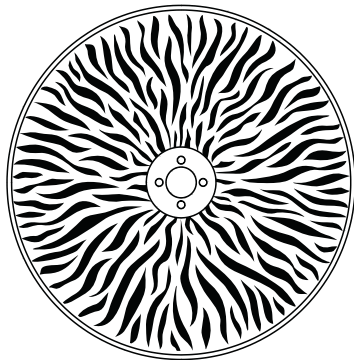
## INTERCHANGEABLE-ROTATING GLASS GOBO WHEEL 1



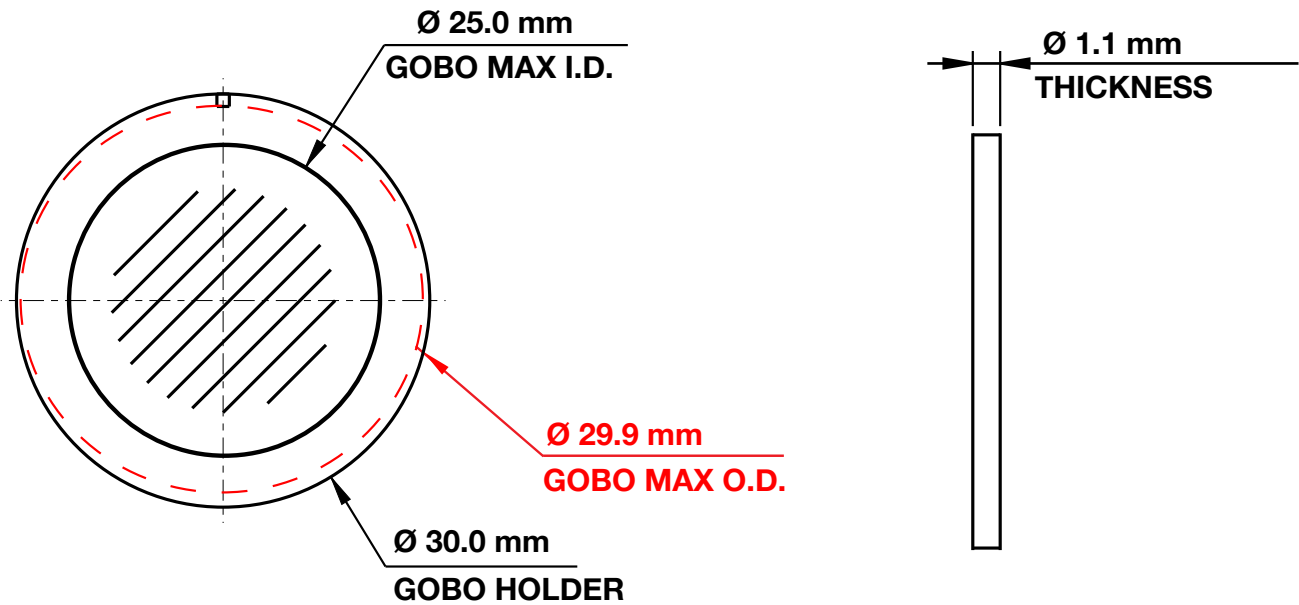
## STATIC-FIXED GLASS GOBO WHEEL 2



## ANIMATION WHEEL



# CUSTOM GOBOS



FUZE PROFILE ROTATING GLASS GOBOS - WHEELS 1 & 2	
Gobo O.D. (Max. Outer Diameter)	φ29.9mm
Gobo I.D. (Max. Image Diameter)	φ25.0mm
Gobo Holder Diameter	φ30.0mm
Gobo Thickness	φ 1.1mm
Gobo Material	High Temp Glass (Max 600C°)

**\* \* \* IMPORTANT NOTICE REGARDING CUSTOM GOBOS \* \* \***

Due to the high temperature optical system, special material as listed above is required for custom gobos. Due to varying manufacturing processes and tolerances, it is highly recommended to provide a gobo sample and holder from the fixture to the custom gobo vendor for accurate sizing. Extended testing of custom gobo designs is highly recommended prior to use. Contact ELATION SERVICE for further information.

**ELATION SERVICE USA - Monday - Friday 8:00am to 4:30pm PST**

323-582-3322 | Fax 323-832-9142 | [support@elationlighting.com](mailto:support@elationlighting.com)

**ELATION SERVICE EUROPE - Monday - Friday 08:30 to 17:00 CET**

+31 45 546 85 63 | Fax +31 45 546 85 96 | [support@elationlighting.eu](mailto:support@elationlighting.eu)

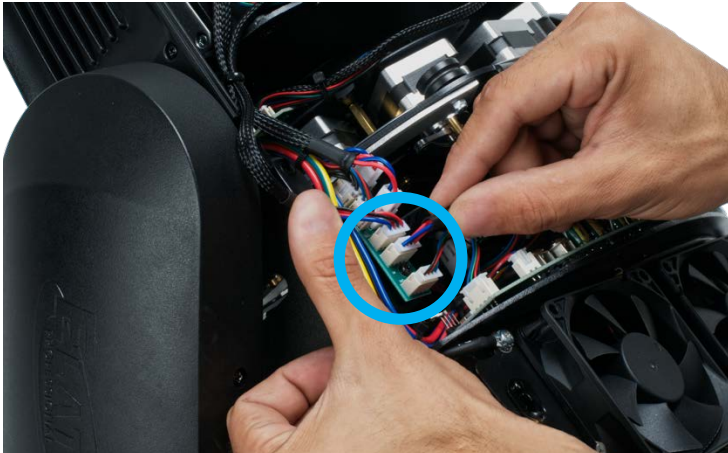
# GOBO REPLACEMENT



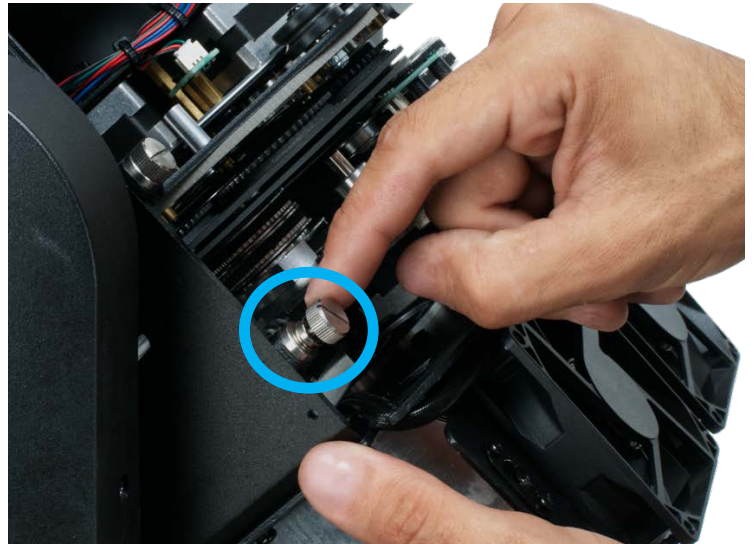
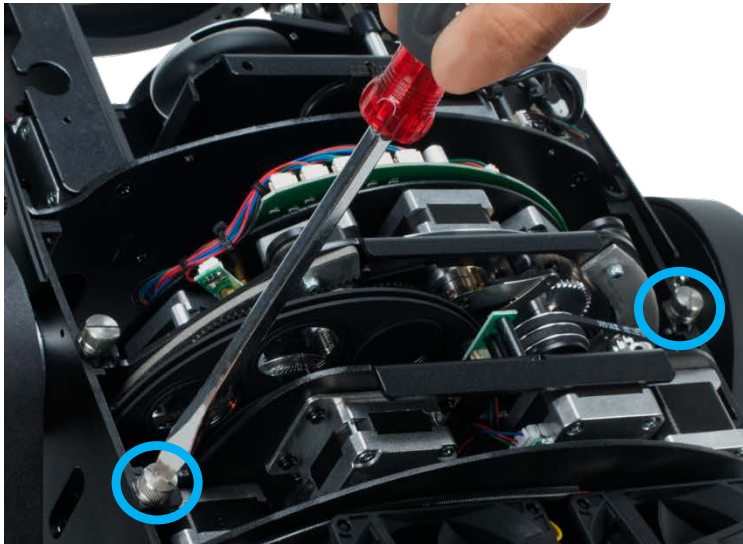
1. Before removing covers, place fixture on a stable flat surface in an **INDOOR DUST FREE** location. Ensure moving head is locked into a neutral upright position with both PAN and TILT locks engaged.



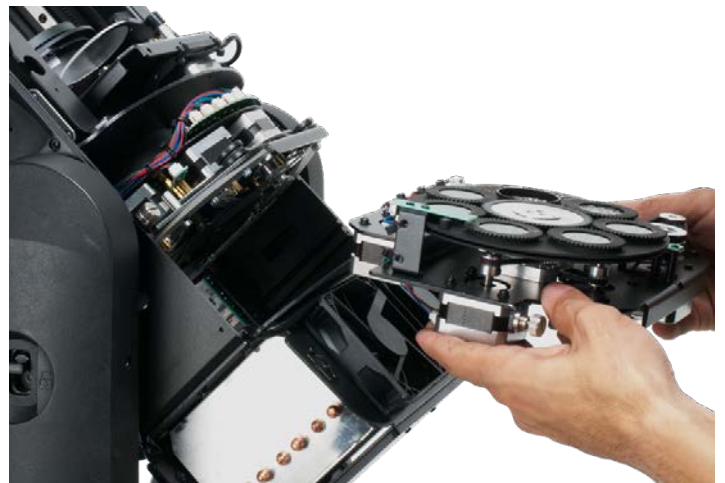
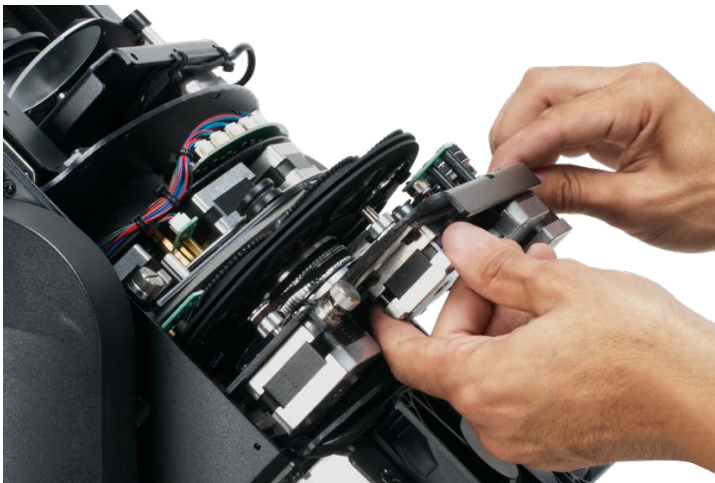
# GOBO REPLACEMENT



3. Locate the 4-pin GOBO Wheel Module Connector and carefully unplug it from its socket.  
**DO NOT USE FORCE TO REMOVE CONNECTORS!**



4. To remove the module, loosen the (2x) slotted screws holding the brackets.



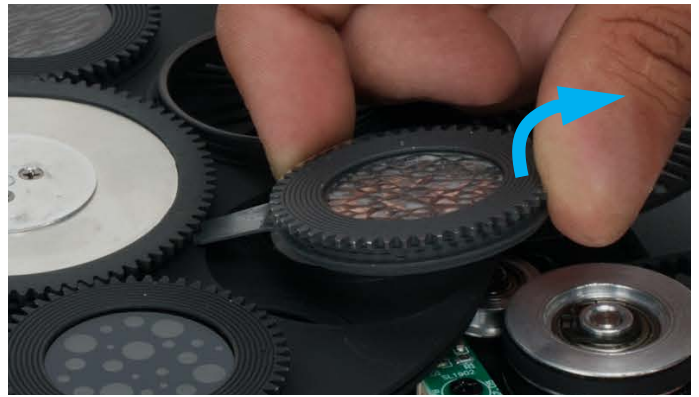
5. Carefully grip the GOBO Wheel Module and slid it out and away to clear the mounting rails.



# GOBO REPLACEMENT



6. Carefully place the module on a stable flat surface in an **INDOOR DUST FREE** location.



## 7. REPLACING A ROTATING GOBO

Locate the specific Rotating GOBO to replace. Carefully gripping the GOBO using your index finger and thumb, gently lift it slightly, and then pull it out and away until it fully clears the GOBO Wheel.

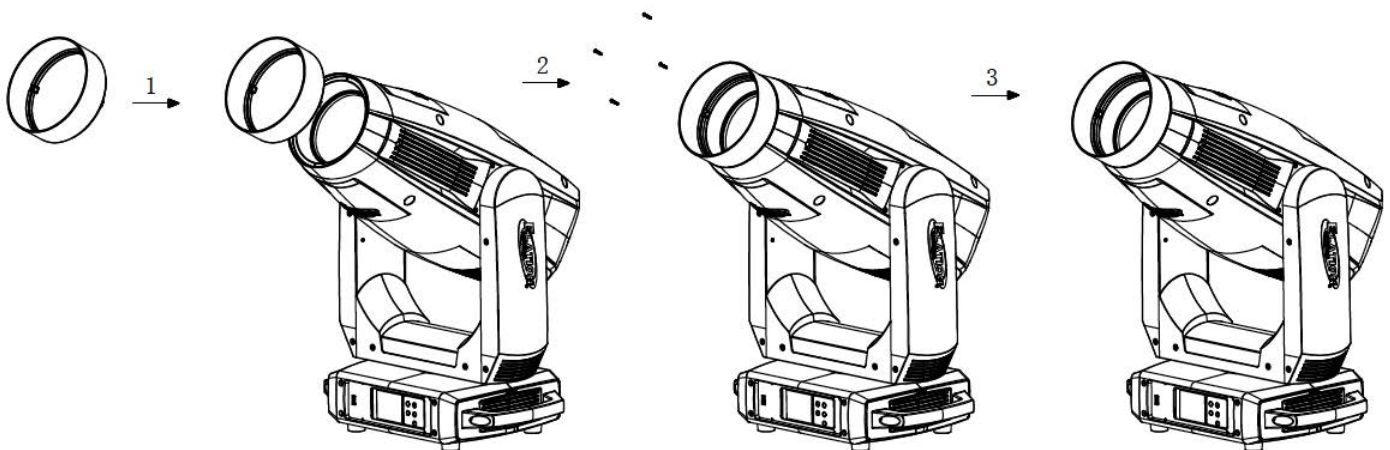
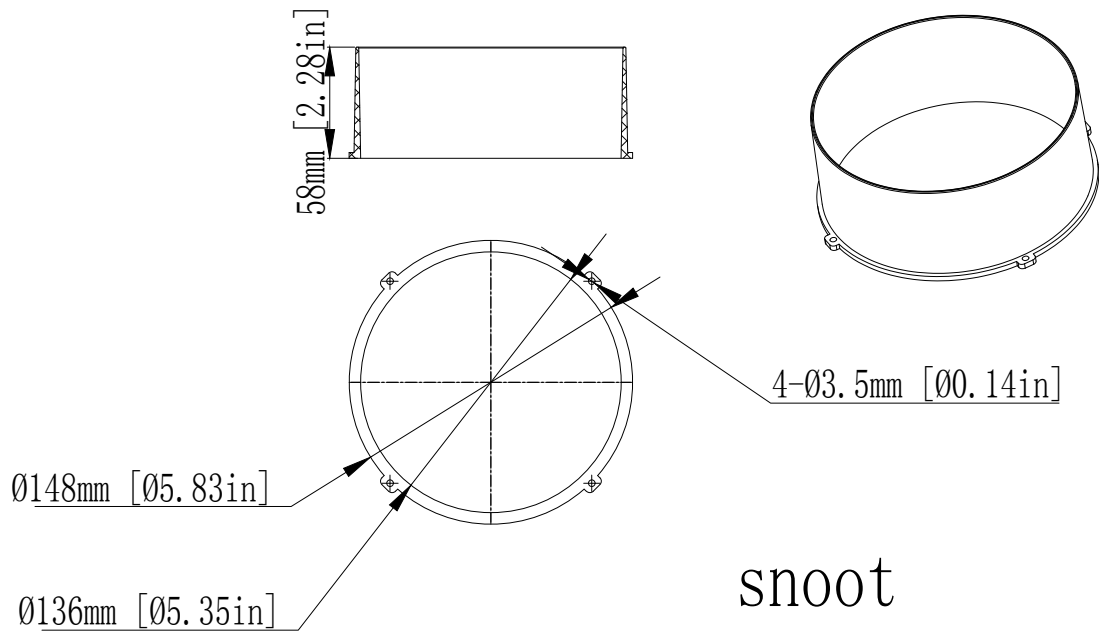


8. Locate the tab of the spring, and with a precision pick (or similar tool), carefully press the retaining spring inward to relieve the tension. Remove the retaining spring and carefully separate the GOBO from the GOBO Holder. Install the replacement Rotating GOBO following the steps above in reverse order.



**CAUTION: TAKE CARE NOT TO SCRATCH GOBO OR GOBO HOLDER**

# SNOOT INSTALLATION



1. Place fixture on the stable flat surface and let cool for 15mins.
2. Align Snoot onto front lens so 4 screw holes on snoot match 4 screw holes on lens.
3. Carefully using a hand screwdriver, insert/secure included 4 screws.
4. Check Snoot to confirm it is seated properly and all 4 screws are secure.



**DO NOT OVER TIGHTEN SCREWS! DO NOT USE A POWER SCREWDRIVER!**

# INSTALLATION GUIDELINES



## **FLAMMABLE MATERIAL WARNING**

Keep fixture minimum 5.0 feet (1.5m) away from flammable materials and/or pyrotechnics.



## **ELECTRICAL CONNECTIONS**

A qualified electrician should be used for all electrical connections and/or installations.



**USE CAUTION WHEN POWER LINKING OTHER MODEL FIXTURES AS THE POWER CONSUMPTION OF OTHER MODEL FIXTURES MAY EXCEED THE MAX POWER OUTPUT ON THIS FIXTURE. CHECK SILK SCREEN FOR MAX AMPS.**



**MINIMUM DISTANCE TO OBJECTS/SURFACES  
MUST BE 1 FOOT (0.3 METERS)**



**MINIMUM DISTANCE OF INFLAMMABLE MATERIALS  
FROM THE SURFACE 1.6 FEET (0.5 METER)**



**MAXIMUM AMBIENT TEMPERATURE 113° F (45°C)**



**DO NOT INSTALL THE FIXTURE IF YOU ARE NOT QUALIFIED TO DO SO!**

Fixture **MUST** be installed following all local, national, and country commercial electrical and construction codes and regulations.

Before rigging/mounting a single fixture or multiple fixtures to any metal truss/structure or placing the fixture(s) on any surface, a professional equipment installer **MUST** be consulted to determine if the metal truss/structure or surface is properly certified to safely hold the combined weight of the fixture(s), clamps, cables, and accessories.

Overhead rigging requires extensive experience, including amongst others calculating working load limits, installation material being used, and periodic safety inspection of all installation material and the fixture. If you lack these qualifications, do not attempt the installation yourself. Improper installation can result in bodily injury.

Fixture(s) should be installed in areas outside walking paths, seating areas, or away from areas where unauthorized personnel might reach the fixture by hand.

**NEVER** stand directly below the fixture(s) when rigging, removing or servicing.

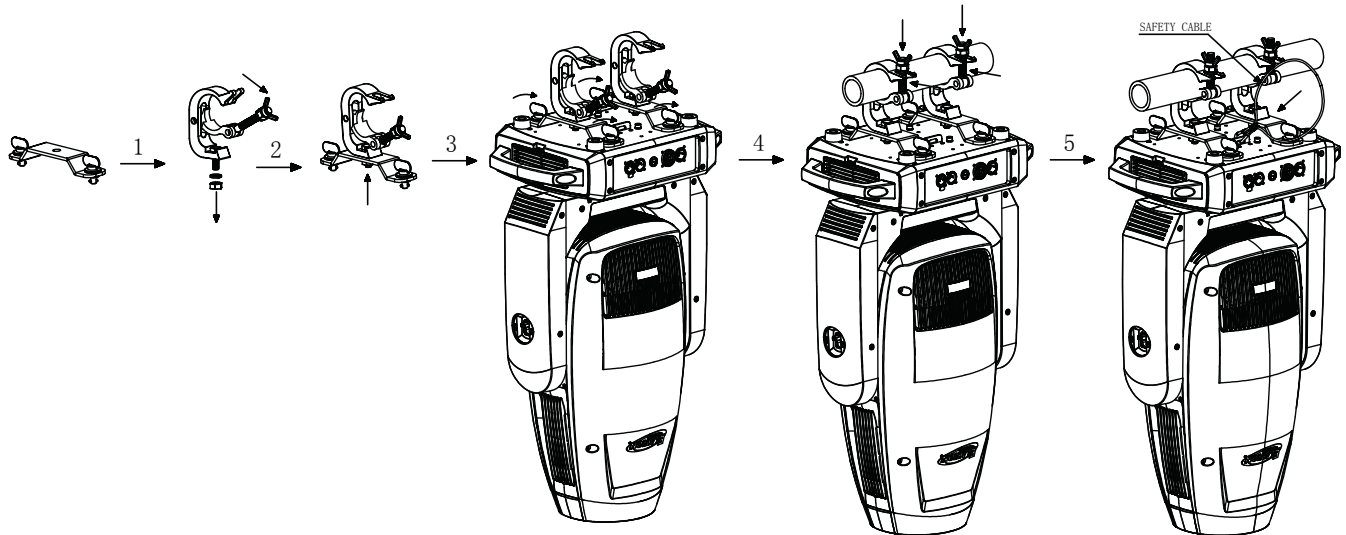
Overhead fixture installation must always be secured with a secondary safety attachment, such as an appropriately rated safety cable.

Allow approximately 15 minutes for the fixture to cool down before serving.

# INSTALLATION GUIDELINES

## OMEGA BRACKETS INSTALLATION

Insert the Omega Brackets into the matching holes on the bottom of the fixture. Secure the Omega Brackets to the fixture by turning each quick-lock fastener  $\frac{1}{4}$  turn clockwise; making sure the fastener is completely locked. Omega Brackets can be installed into the fixture base as illustrated below.



## CLAMP INSTALLATION

When mounting fixture to truss, be sure to secure an appropriately rated professional grade rigging clamp to the included **Omega Brackets** using an M10 screw fitted through the center hole of the **Omega Brackets**. The fixture provides a built-in rigging points for a **SAFETY CABLE**. Be sure to only use one of the designated rigging points for the safety cable and never secure a safety cable to a carrying handle.

## RIGGING

Overhead rigging requires extensive experience, including amongst others calculating working load limits, installation material being used, and periodic safety inspection of all installation material and the fixture. If you lack these qualifications, do not attempt the installation yourself. Improper installation can result in bodily injury.



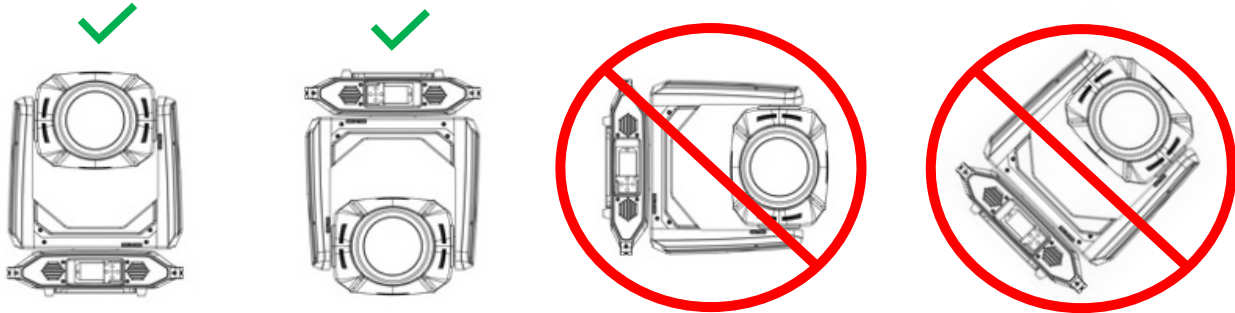
**ALWAYS ATTACH AN APPROPRIATELY RATED SAFETY CABLE (NOT INCLUDED) THAT MEETS ALL LOCAL, NATIONAL, AND COUNTRY CODES AND REGULATIONS WHENEVER INSTALLING FIXTURE IN A SUSPENDED ENVIRONMENT!**

# INSTALLATION GUIDELINES

## FIXTURE MOUNTING POSITION

The fixture may be mounted in any position in which the base of the fixture is oriented horizontally. Acceptable positions include standing the fixture upright or hanging the fixture upside-down.

Do NOT install the fixture in a sideways position, or in any position in which the base of the fixture is oriented vertically or at an angle.



## HIBERNATION MODE:

This state can be set via DMX, or the device will go into this state after 3 minutes without a DMX signal. This function can be switched on or off in the DMX traits (see the DMX Traits section for details).

The hibernation function is an existing feature that puts the unit into a 'sleep state' to save power. In this state, only the electronics remain on, and all other functions, such as motor and lamps, are turned off. This state is automatically activated when no DMX signal is present for the set time (1-99min or off).

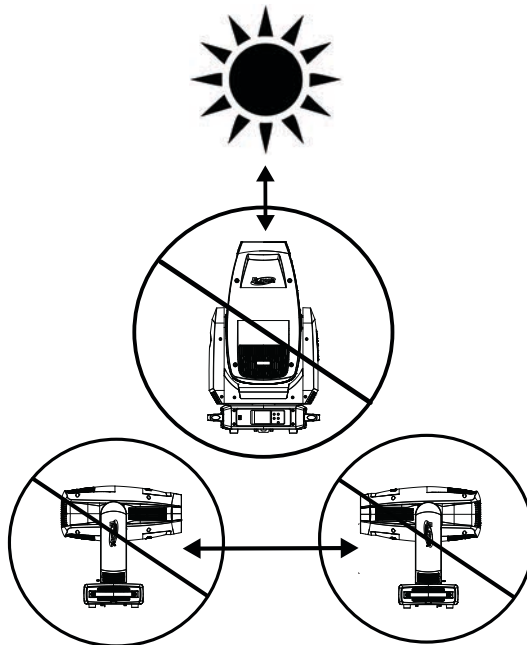
# INSTALLATION GUIDELINES

## POTENTIAL INTERNAL FIXTURE DAMAGE FROM EXTERNAL SOURCES OF LIGHT BEAMS

External sources of light beams from direct sunlight, lighting moving head fixtures, and lasers, which are focused directly towards the exterior housing and/or penetrate the front lens opening of ELATION lighting fixtures, can cause severe internal damage including burning to optics, dichroic color filters, glass and metal gobos, prisms, animation wheels, frost filters, iris, shutters, motors, belts, wiring, discharge lamps, and LEDs.

This issue is not specific only to ELATION lighting fixtures, it is a common issue with lighting fixtures from all manufacturers. Although there is no true way to fully prevent this issue from happening, the guidelines below can prevent any potential damage from occurring if followed. Contact ELATION Service for more details.

**DO NOT EXPOSE THE FIXTURE AND/OR FRONT LENS OPENING TO LIGHT BEAMS FROM DIRECT SUNLIGHT, OTHER LIGHTING MOVING HEAD FIXTURES, AND LASERS WHILE UNPACKING, INSTALLATION, USE, AND EXTENDED IDLE TIMES OUTDOORS. DO NOT FOCUS A LIGHT BEAM FROM ONE LIGHTING FIXTURE DIRECTLY TOWARDS ANOTHER.**



# REMOTE DEVICE MANAGEMENT (RDM)

**NOTE: In order for RDM to work properly, RDM enabled equipment must be used throughout the entire system, including DMX data splitters and wireless systems.**

Remote Device Management (RDM) is a protocol that sits on top of the DMX512 data standard for lighting, allowing the DMX systems of the fixtures to be modified and monitored remotely. This protocol is ideal for instances in which a unit is installed in a location that is not easily accessible.

With RDM, the DMX512 system becomes bi-directional, allowing a compatible RDM enabled controller to send out a signal to devices on the wire, as well as allowing the fixture to respond (known as a GET command). The controller can then use its SET command to modify settings that would typically have to be changed or viewed directly via the unit's display screen, including the DMX Address, DMX Channel Mode, and Temperature Sensors.

## FIXTURE RDM INFORMATION:

RDM Code	Device ID	Device Model ID	Personality ID
22A6	0001	4198	001 Standard (38) 002 Extended (59) 003 CMY Standard (36) 004 CMY Extended (55)

**Please be aware that not all RDM devices support all RDM features,** and therefore it is important to check beforehand to ensure that the equipment that you are considering includes all of the features that you require.

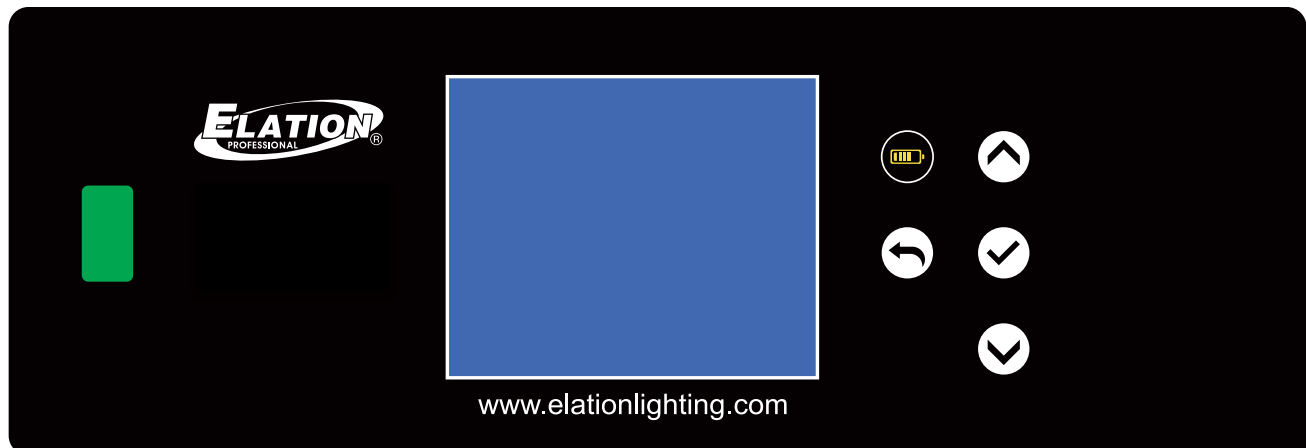
The following parameters are accessible in RDM on this device:

[0x0011] Proxied Device Count	[0x0401] Lamp Hours	[0x1031] Preset Playback
[0x0200] Sensor Definition	[0x0402] Lamp Strikes	[0x0122] Default Slot Value
[0x0201] Sensor Value	[0x0403] Lamp State	[0x00B0] Language
[0x0080] Device Model Description	[0x0404] Lamp Mode	[0x00A0] Language Capabilities
[0x0081] Manufacturer Label	[0x0405] Device Power Cycles	[0x00C2] Boot Software Version Label
[0x0082] Device Label	[0x0600] Pan Invert	[0x00C1] Boot Software Version ID
[0x00E0] DMX Personality	[0x0601] Tilt Invert	[0x0070] Product Detail ID List
[0x00E1] DMX Personality Description	[0x0602] Pan Tilt Swap	[0x0030] Status Messages
[0x0040] Device Hours	[0x0500] Display Invert	[0x1001] Reset Device
[0x0015] Comms Status	[0x0501] Display Level	[0x0016] Undefined PID
[0x0031] Status ID Description	[0x0603] Realtime Clock	
[0x0032] Clear Status ID	[0x1010] Power State	

## SYSTEM MENU

The fixture includes an easy to navigate system menu. The LCD touch panel display located on the front of the fixture (see image below), provides access to the main system menu and is where all necessary system adjustments are made to the fixture. During normal operation, pressing the **ENTER (Check Mark)** button once will access the fixture's main menu. Once in the main menu you can navigate through the different functions and access the sub-menus with the **UP** and **DOWN** buttons. Once you reach a field that requires adjusting, press the **ENTER** button to activate that field and use the **UP** and **DOWN** buttons to adjust the field. Pressing the **ENTER** button once more will confirm your setting. You may exit the main menu at any time without making any adjustments by pressing the **ESC (Back Arrow)** button.

To access the LCD Menu Control Display via the internal battery, press and hold the **BATTERY ICON** button for 3 seconds. The LCD Menu Control Display will shut **OFF** automatically about 1 minute from the last button press.





## ELATION FUZE PROFILE™ - SYSTEM MENU

Supports Software Versions: ≥ 1.09

<b>DMX Settings</b>	DMX Address	<b>A001 ~ AXXX</b>			
	DMX Channel Mode	<b>Standard</b> , Extended, CMY, CMY Extended			
	No DMX Status	<b>Hold Last</b> , Blackout, Internal Programs			
<b>Personality</b>	Primary	ON / <b>OFF</b>			
	Secondary	<b>ON</b> / OFF			
	Status Settings	Pan Invert Tilt Invert Pan/Tilt Feedback Pan Degree Pan/TiltSpeed Hibernation Follow Spot Mode	ON / <b>OFF</b> ON / <b>OFF</b> <b>ON</b> / OFF 630/ <b>540</b> Speed <b>1</b> ~ 4 <b>OFF</b> / 01M~99M ON / <b>OFF</b>		
	Fan Settings	Mute, Studio, <b>Auto</b> , High, Silent			
	Dim Modes	<b>Standard</b> , Stage, TV, Architectural, Theatre, Stage 2, Dim Speed	<i>Dim Speed: 0s~10s</i>		
	Dim Curves	<b>Linear</b> , Square, Square Inverse, S-Curve			
	LED Refresh Rate	<b>1200Hz</b> , 900-1500Hz, 2500Hz, 4000Hz, 5000Hz, 10KHz, 15KHz, 20KHz, 25KHz			
	Reset Motors	Pan/Tilt Reset	YES / <b>NO</b>		
		Color Reset	YES / <b>NO</b>		
		Gobo Reset	YES / <b>NO</b>		
		Focus and Zoom reset	YES / <b>NO</b>		
		Other motor reset	YES / <b>NO</b>		
	Display	Screen Saver Delay	<b>01</b> -10M/ OFF		
		Touch Screen Lock	<b>OFF</b> /ON		
		Rotate Display 180°	YES / <b>NO</b>		
Temp Unit	<b>C</b> / F				
Service	P a s s c o d e	Calibration	Pan 000-255 Tilt 000-255 Red 000-255 ... Frost 000-255		
		USB Software Update	YES / <b>NO</b>		
	<b>050</b>	Factory Restore	YES / <b>NO</b>		

<b>Manual Control</b>	Pan	000-255			
	Pan Fine	000-255			
	Tilt	000-255			
	Tilt Fine	000-255			
	Red	000-255			
	...	...			
	Control	000-255			
<b>Internal Programs</b>	Program 0	Speed	000-255		
		Fade	000-255		
	Program 1	Speed	000-255		
		Fade	000-255		
	Program 2	Speed	000-255		
		Fade	000-255		
	Program 3	Speed	000-255		
		Fade	000-255		
	...	...	...		
	Program 16	Speed	000-255		
Fade		000-255			
<b>Information</b>	Fixture Life Time	Power On Time	xxxxxx Hours		
	Fixture Last Run Time	Power On ResetableTime	xxxxxx Hours		
		Power On Time Reset	Passcode = 050	YES / <b>NO</b>	
	Fixture Temperatures	LED's	Current		
		Reset LED Temp	Passcode = 050	YES / <b>NO</b>	
		Base Temp	Current		
	Fan Info.	LED_fan RPM	1_Fan		
			2_Fan		
			3_Fan		
			4_Fan		
		Base_fan RPM	Base_Fan		
	DMX Values	Pan, Tilt, ..., Zoom	000-255		
	Product ID's	RDM UID			
	Error Logs	Fixture Errors	Error1, Error2, ...		
		Reset Error Log	Passcode	YES/ <b>NO</b>	
Software Version	1U:V1.0.X 2U:V1.0.X 3U:V1.0.X 4U:V1.0.X 5U:V1.0.X 6U:V1.0.X				

# COLOR LED PROGRAMMING GUIDELINES

The fixture utilizes an advanced additive LED light engine that contains Red, Green, Blue, Mint and Amber LED which when combined, provides a brilliant high CRI White. Using a 5-color LED engine allows the fixture to have a wide color gamut which offers robust saturated colors as well as a wide range of pastel and theatrical colors.

Programming a 5-color LED engine is a bit more time consuming than the more common 3-color CMY (Cyan, Yellow, Magenta) or RGB (Red, Blue Green) systems. To help ensure optimal performance of the fixture, it is highly suggested to try out the multiple DMX control modes to understand specifically how they work with color before programming a full show. A couple suggested modes are listed below.

The **CMY Extended** DMX control mode provides a “natural” color mix which is compatible with color pickers of most lighting consoles and includes 16-bit color control.

The **Extended** RGBMA (Red, Green, Blue, Mint, Amber) DMX control mode provides slightly higher precision color mixes but may be require additional time to find the right values for all 5-color LEDs to achieve a specific desired color.

## FAN MODES

The Fuze Profile is a high-performance fixture suited for multiple applications. For noise critical environments such as Theater, Opera, or Orchestral Halls, it offers various fan operation modes which remove unwanted noise distractions for the audience and performers. Fan Modes can be changed remotely via the DMX control channel, allowing the fixture to offer high output or whisper-silent operation at a moment's notice. All Fan Modes smoothly transition over a brief period, preventing unwanted attraction to the fixture.

**Mute** – All or most fans are turned off to make operation as silent as possible. 25-30% max output, LED is capable of dimming further to avoid overheating, and zoom and focus operation may be slowed down to reduce noise output.

**Silent** – Fan speeds reduced throughout the fixture for a lower noise profile, with 50-70% max output. This mode should be sufficient for most applications where lower noise output is required.

**Studio** – Fans run at low speed, 75-80% max output.

**Auto (default)** – Fans only run at the speeds needed to keep the LED engine within a safe temperature range, and ensures optimal performance of the fixture. They will turn off if possible; for example, when the fixture is dimmed to a low intensity. Fans sense the ambient and fixture temperature and will, at all times, try to keep noise levels at a minimum. The fixture output will only be reduced when the LED engine cannot be cooled to its safe operating range due to a high ambient temperature; otherwise output is up to 100%.

*NOTE: This mode is recommended for daily operation.*

**High** – Fan speeds are increased throughout the fixture for the most efficient cooling. This mode will increase wear on the fans and should only be utilized in exceptional circumstances. Fans will always run, even if the fixture is dimmed. Fixture output is kept at 100% unless the LED engine temperature reaches an unsafe temperature, at which point the fixture will reduce power carefully to ensure continued safe operation. This mode is only required in very high ambient temperatures when automatic fan speed adjustments are not desired.

# DMX CHANNEL FUNCTIONS AND VALUES

FUZE PROFILE™ DMX Channel Values / Functions (59 DMX Channels)

Supports Software Versions: ≥ 1.0.9

Features subject to change without any prior written notice.

MODE / CHANNEL				VALUE	FUNCTION	DEFAULT	SNAP
Standard	Extended	CMY	CMY Extended				
1	1	1	1		<b>PAN Movement 8bit</b>	127	
				0-255	Pan Movement		
2	2	2	2		<b>Pan Fine 16bit</b>	127	
				0-255	Fine Control of Pan Movement		
3	3	3	3		<b>TILT Movement 8bit</b>	127	
				0-255	Tilt Movement		
4	4	4	4		<b>Tilt Fine 16bit</b>	127	
				0-255	Fine Control of Tilt Movement		
		5	5		<b>Cyan</b>	0	
				0-255	0 → 100%		
			6		<b>Cyan Fine</b>	0	
				0-255	Fine Cyan Control		
		6	7		<b>Magenta</b>	0	
				0-255	0 → 100%		
			8		<b>Magenta Fine</b>	0	
				0-255	Fine Magenta Control		
		7	9		<b>Yellow</b>	0	
				0-255	0 → 100%		
			10		<b>Yellow Fine</b>	0	
				0-255	Fine Yellow Control		
5	5				<b>Red</b>	255	
				0-255	0 → 100%		
	6				<b>Red Fine</b>	255	
				0-255	Fine Red Control		
6	7				<b>Green</b>	255	
				0-255	0 → 100%		
	8				<b>Green Fine</b>	255	
				0-255	Fine Green Control		
7	9				<b>Blue</b>	255	
				0-255	0 → 100%		
	10				<b>Blue Fine</b>	255	
				0-255	Fine Blue Control		

MODE / CHANNEL				VALUE	FUNCTION	DEFAULT	SNAP
Standard	Extended	CMY	CMY Extended				
8	11				<b>Mint</b>	255	
				0-255	0 → 100%		
	12				<b>Mint Fine</b>	255	
				0-255	Fine Mint Control		
9	13				<b>Amber</b>	255	
				0-255	0 → 100%		
	14				<b>Amber Fine</b>	255	
				0-255	Fine Amber Control		
10	15	8	11		<b>Color Temperature Control</b>	0	
				0-23	Disabled		
				24 -85	2400K to 8500K (100K Steps) (See Table Page 34)		
11	16	9	12		<b>Color Wheel</b>	0	
				0	Open		
				1-60	Virtual Gel Swatch Book (See Table Page 35)		
				61-179	No Function		
					<b>Color Scroll</b>		
				180-201	Rotation CW Fast to Slow		
				202-207	Stop		
				208-229	Rotation CCW Slow to Fast		
				230-234	Open		
					<b>Random Slots</b>		
				235-239	Fast		
				240-244	Medium		
245-249	Slow						
250-255	Open						
	17		13		<b>Green Shift</b>	0	
				0	Idle		
				1-127	Full Minus Green to Neutral		
				128	Neutral White		
				129-255	Neutral to Full Plus Green		

MODE / CHANNEL				VALUE	FUNCTION	DEFAULT	SNAP
Standard	Extended	CMY	CMY Extended				
12	18	10	14		<b>Gobo Wheel 1 - Rotating</b>	0	X
				0-9	Open		
				10-19	Gobo 1		
				20-29	Gobo 2		
				30-39	Gobo 3		
				40-49	Gobo 4		
				50-59	Gobo 5		
				60-69	Gobo 6		
				70-89	Gobo 1 Shake Slow to Fast		
				90-109	Gobo 2 Shake Slow to Fast		
				110-129	Gobo 3 Shake Slow to Fast		
				130-149	Gobo 4 Shake Slow to Fast		
				150-169	Gobo 5 Shake Slow to Fast		
				170-189	Gobo 6 Shake Slow to Fast		
				190-221	Gobo Wheel Scroll CW Fast to Slow		
222-223	Stop						
224-255	Gobo Wheel Scroll CCW Slow to Fast						
13	19	11	15		<b>Gobo Wheel 1 Gobo Index/Scroll Rotation</b>	63	
				0-127	Gobo Indexing		
				128-189	Gobo Scroll CW Fast to Slow		
				190-193	No Rotation		
				194-255	Gobo Scroll CCW Slow to Fast		
14	20	12	16		<b>Gobo Wheel 1 Gobo Fine Index Rotation</b>	0	
				0-255	Fine Indexing		
15	21	13	17		<b>Gobo Wheel 2 - Fixed</b>	0	X
				0-9	Open		
				10-19	Gobo 1		
				20-29	Gobo 2		
				30-39	Gobo 3		
				40-49	Gobo 4		
				50-59	Gobo 5		
				60-69	Gobo 6		
				70-77	Gobo 7		
				78-90	Gobo 1 Shake Slow to Fast		
				94-109	Gobo 2 Shake Slow to Fast		
				110-125	Gobo 3 Shake Slow to Fast		
				126-141	Gobo 4 Shake Slow to Fast		
				142-157	Gobo 5 Shake Slow to Fast		
				158-173	Gobo 6 Shake Slow to Fast		
174-189	Gobo 7 Shake Slow to Fast						
190-221	Gobo Wheel Rotation CW Fast to Slow						
222-223	Stop						
224-255	Gobo Wheel Rotation CCW Slow to Fast						

MODE / CHANNEL				VALUE	FUNCTION	DEFAULT	SNAP
Standard	Extended	CMY	CMY Extended				
16	22	14	18		<b>Prism, Prism/Gobo Macros</b>		
				0-63	Open		
				64-95	Prism		
				96-127	Idle		
				128-135	Prism/Gobo Macro1		
				136-143	Prism/Gobo Macro2		
				144-151	Prism/Gobo Macro3		
				152-159	Prism/Gobo Macro4		
				160-167	Prism/Gobo Macro5		
				168-175	Prism/Gobo Macro6		
				176-183	Prism/Gobo Macro7		
				184-191	Prism/Gobo Macro8		
				192-199	Prism/Gobo Macro9		
				200-207	Prism/Gobo Macro10		
				208-215	Prism/Gobo Macro11		
				216-223	Prism/Gobo Macro12		
224-231	Prism/Gobo Macro13						
232-239	Prism/Gobo Macro14						
240-247	Prism/Gobo Macro15						
248-255	Prism/Gobo Macro16						
17	23	15	19		<b>Prism Index/Prism Rotation</b>		
				0-127	Prism Indexing		
				128-189	Prism Rotation CW Fast to Slow		
				190-193	No Rotation		
				194-255	Prism Rotation CCW Slow to Fast		
	24		20		<b>Prism Fine Index Rotation</b>		
				0-255	Fine Indexing		
18	25	16	21		<b>Focus</b>	127	
				0-255	Continuous Adjustment Near to Far		
19	26	17	22		<b>Focus Fine</b>	0	
				0-255	Continuous Adjustment Fine		
20	27	18	23		<b>Zoom</b>	127	
				0-255	Zoom Adjustment Small to Big		
21	28	19	24		<b>Zoom Fine</b>	0	
				0-255	Zoom Adjustment Fine		
22	29	20	25		<b>Shutter, Strobe</b>	50	X
				0-31	Shutter Closed		
				32-63	No Function (Shutter Open)		
				64-95	Strobe Effect Slow to Fast		
				96-127	No Function (Shutter Open)		
				128-159	Pulse-Effect in Sequences		
				160-191	No Function (Shutter Open)		
192-223	Random Strobe Effect Slow to Fast						
224-255	No Function (Shutter Open)						



MODE / CHANNEL				VALUE	FUNCTION	DEFAULT	SNAP
Standard	Extended	CMY	CMY Extended				
23	30	21	26		<b>Dimmer</b>	0	
				0-255	Intensity 0 → 100%		
24	31	22	27		<b>Dimmer Fine</b>	0	
				0-255	Dimmer Fine Adjustment		
	32		28		<b>Dim Modes</b>	0	X
				0-20	Standard		
				21-40	Stage		
				41-60	TV		
				61-80	Architectural		
				81-100	Theatre		
				101-120	Stage 2		
					<b>Dimmer Delay Time</b>		
				121	0s		
				122	0.1s		
				123	0.2s		
				124	0.3s		
				125	0.4s		
				126	0.5s		
				127	0.6s		
				128	0.7s		
				129	0.8s		
				130	0.9s		
				131	1.0s		
				132	1.5s		
				133	2.0s		
				134	3.0s		
				135	4.0s		
136	5.0s						
137	6.0s						
138	7.0s						
139	8.0s						
140	9.0s						
141	10s						
142-255	Idle						
25	33	23	29		<b>Iris</b>	0	
				0-191	Max to Min Diameter		
				192-223	Pulse Opening Fast to Slow		
				224-255	Pulse Closing Slow to Fast		
	34		30		<b>Iris Fine</b>	0	
				0-255	Iris Fine Adjustment		
26	35	24	31		<b>Frost</b>	0	
				0-255	Open to Full Frost		

MODE / CHANNEL				VALUE	FUNCTION	DEFAULT	SNAP
Standard	Extended	CMY	CMY Extended				
27	36	25	32		<b>Animation Wheel</b>		
				0-7	Open		
				8-255	Animation Min to Max		
28	37	26	33		<b>Animation Index Rotation</b>		
				0-127	Animation Indexing		
				128-189	Animation Rotation CW Fast to Slow		
				190-193	No Rotation		
				194-255	Animation Rotation CCW Slow to Fast		
29	38	27	34		<b>Blade 1A</b>	0	
				0-255	Open to Close		
	39		35		<b>Blade 1A Fine</b>	0	
		0-255		Open to Close Fine			
30	40	28	36		<b>Blade 1B</b>	0	
				0-255	Open to Close		
	41		37		<b>Blade 1B Fine</b>	0	
		0-255		Open to Close Fine			
31	42	29	38		<b>Blade 2A</b>	0	
				0-255	Open to Close		
	43		39		<b>Blade 2A Fine</b>	0	
		0-255		Open to Close Fine			
32	44	30	40		<b>Blade 2B</b>	0	
				0-255	Open to Close		
	45		41		<b>Blade 2B Fine</b>	0	
		0-255		Open to Close Fine			
33	46	31	42		<b>Blade 3A</b>	0	
				0-255	Open to Close		
	47		43		<b>Blade 3A Fine</b>	0	
		0-255		Open to Close Fine			
34	48	32	44		<b>Blade 3B</b>	0	
				0-255	Open to Close		
	49		45		<b>Blade 3B Fine</b>	0	
		0-255		Open to Close Fine			
35	50	33	46		<b>Blade 4A</b>	0	
				0-255	Open to Close		
	51		47		<b>Blade 4A Fine</b>	0	
		0-255		Open to Close Fine			
36	52	34	48		<b>Blade 4B</b>	0	
				0-255	Open to Close		
	53		49		<b>Blade 4B Fine</b>	0	
		0-255		Open to Close Fine			

MODE / CHANNEL				VALUE	FUNCTION	DEFAULT	SNAP
Standard	Extended	CMY	CMY Extended				
37	54	35	50		<b>Framing Rotation</b>	127	
				0-126	Min (-60 degrees)		
				127-128	Parallel (0 degrees)		
				129-255	Max (+60 degrees)		
	55		51		<b>Framing Rotation Fine</b>	0	
				0-255	Framing Rotation Fine		
	56		52		<b>Framing Speed</b>		
				0-255	Speed Max to Min		
	57		53		<b>Framing Macros</b>		
				0-7	OFF		
				8-15	Framing Macro 1		
				16-23	Framing Macro 2		
				24-31	Framing Macro 3		
				32-39	Framing Macro 4		
				40-47	Framing Macro 5		
				48-55	Framing Macro 6		
				56-63	Framing Macro 7		
				64-71	Framing Macro 8		
				72-79	Framing Macro 9		
				80-87	Framing Macro 10		
				88-95	Framing Macro 11		
				96-103	Framing Macro 12		
				104-111	Framing Macro 13		
				112-119	Framing Macro 14		
				120-127	Framing Macro 15		
				128-135	Framing Macro 16		
				136-143	Framing Macro 17		
				144-151	Framing Macro 18		
				152-159	Framing Macro 19		
				160-167	Framing Macro 20		
				168-175	Framing Macro 21		
				176-183	Framing Macro 22		
				184-191	Framing Macro 23		
				192-199	Framing Macro 24		
				200-207	Framing Macro 25		
				208-215	Framing Macro 26		
				216-223	Framing Macro 27		
				224-231	Framing Macro 28		
				232-239	Framing Macro 29		
	240-247	Framing Macro 30					
	248-255	Framing Macro 31					

MODE / CHANNEL				VALUE	FUNCTION	DEFAULT	SNAP
Standard	Extended	CMY	CMY Extended				
	58		54		<b>Pan / Tilt and Color Speed</b>	0	
				0-225	Max to Min speed		
				226-235	Blackout by Movement		
				236-245	Blackout by All Wheel Changing		
				246-255	No Function		
					<b>Control</b>	0	X
				0-19	Color Change Normal		
				20-29	Color Change to Any position		
				30-39	Color / Gobo Change to Any Position		
				40-44	Fan Mode Studio		
				45-49	Fan Mode Mute		
				50-59	Fan Mode Low		
				60-69	Fan Mode High		
				70-79	Fan Mode Auto		
				80-84	All Motor Reset		
				85-87	Pan / Tilt Reset		
				88-90	Color Reset		
				91-93	Gobo Reset		
				94-96	Focus and Zoom Reset		
				97-99	Other Motor Reset		
					<b>Refresh Rate (Hz)</b>		
38	59	36	55	100	900		
				101	910		
				102	920		
				103	930		
				104	940		
				105	950		
				106	960		
				107	970		
				108	980		
				109	990		
				110	1000		
				111	1010		
				112	1020		
				113	1030		
				114	1040		
				115	1050		
				116	1060		
				117	1070		
				118	1080		
				119	1090		

MODE / CHANNEL				VALUE	FUNCTION	DEFAULT	SNAP
Standard	Extended	CMY	CMY Extended				
38	59	36	55		<b>Refresh Rate (Hz)</b>	0	X
				120	1100		
				121	1110		
				122	1120		
				123	1130		
				124	1140		
				125	1150		
				126	1160		
				127	1170		
				128	1180		
				129	1190		
				130	1200		
				131	1210		
				132	1220		
				133	1230		
				134	1240		
				135	1250		
				136	1260		
				137	1270		
				138	1280		
				139	1290		
				140	1300		
				141	1310		
				142	1320		
				143	1330		
				144	1340		
				145	1350		
				146	1360		
				147	1370		
				148	1380		
				149	1390		
150	1400						
151	1410						
152	1420						
153	1430						
154	1440						
155	1450						
156	1460						
157	1470						
158	1480						
159	1490						
160	1500						

MODE / CHANNEL				VALUE	FUNCTION	DEFAULT	SNAP
Standard	Extended	CMY	CMY Extended				
38	59	36	55		<b>Refresh Rate (Hz)</b>	0	X
				161	2500		
				162	4000		
				163	5000		
				164	6000		
				165	10,000		
				166	15,000		
				167	20,000		
				168	25,000		
				169-190	Idle		
				191-195	Hibernation OFF		
				196-200	Hibernation ON		
				201-210	Dimmer Curve Linear (default)		
				211-220	Dimmer Curve Square		
				221-230	Dimmer Curve Inverse Square		
				231-240	Dimmer Curve S-Curve		
				241	Internal Program 1 (Scene 1-8)		
				242	Internal Program 2 (Scene 9-16)		
				243	Internal Program 3 (Scene 17 - 24)		
				244	Internal Program 4 (Scene 25 - 32)		
245	Internal Program 5 (Scene 33 - 40)						
246	Internal Program 6 (Scene 41 - 48)						
247	Internal Program 7 (Scene 49 - 56)						
248-255	Idle						

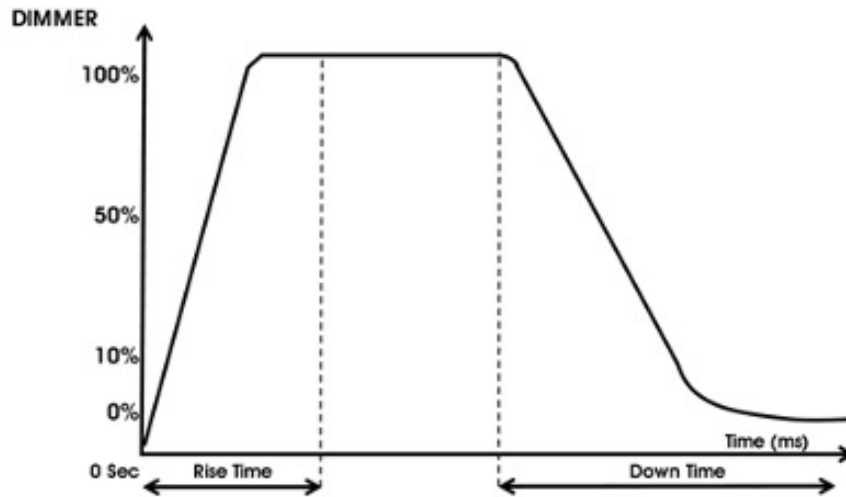
<b>COLOR TEMPERATURE</b>			
<b>VALUE</b>	<b>COLOR TEMP (K)</b>	<b>VALUE</b>	<b>COLOR TEMP (K)</b>
24	2400	55	5500
25	2500	56	5600
26	2600	57	5700
27	2700	58	5800
28	2800	59	5900
29	2900	60	6000
30	3000	61	6100
31	3100	62	6200
32	3200	63	6300
33	3300	64	6400
34	3400	65	6500
35	3500	66	6600
36	3600	67	6700
37	3700	68	6800
38	3800	69	6900
39	3900	70	7000
40	4000	71	7100
41	4100	72	7200
42	4200	73	7300
43	4300	74	7400
44	4400	75	7500
45	4500	76	7600
46	4600	77	7700
47	4700	78	7800
48	4800	79	7900
49	4900	80	8000
50	5000	81	8100
51	5100	82	8200
52	5200	83	8300
53	5300	84	8400
54	5400	85	8500

# VIRTUAL GEL SWATCH BOOK

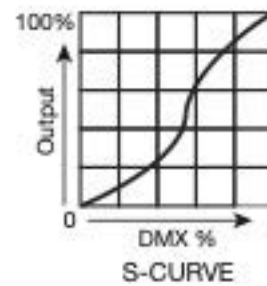
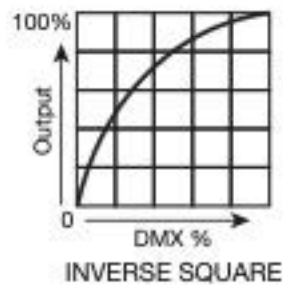
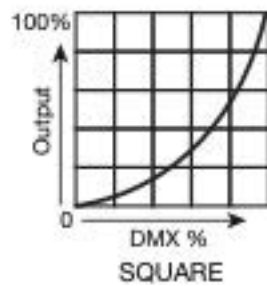
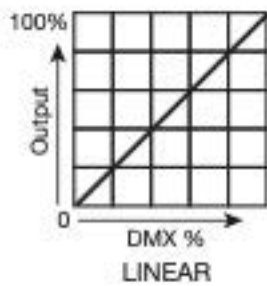
7	Pale Yellow	157	Pink	68	Sky Blue
103	Straw	36	Medium Pink	143	Pale Navy Blue
151	Gold Tint	111	Dark Pink	131	Marine Blue
100	Spring Yellow	128	Bright Pink	115	Peacock Blue
10	Medium Yellow	148	Bright Rose	172	Lagoon Blue
101	Yellow	332	Special Rose Pink	116	Medium Blue Green
104	Deep Amber	793	Vanity Fair	90	Dark Yellow Green
15	Deep Straw	113	Magenta	139	Primary Green
179	Loving Amber	46	Dark Magenta	122	Fern Green
21	Gold Amber	48	Rose Purple	89	Moss Green
105	Orange	126	Mauve	124	Dark Green
158	Deep Orange	49	Medium Purple	88	Lime Green
22	Dark Amber	58	Lavender	138	Pale Green
778	Millennium Gold	199	Palace Blue	203	Quarter CT Blue
135	Deep Golden Amber	119	Dark Blue	202	Half CT Blue
24	Scarlet	132	Medium Blue	201	FULL CT Blue
106	Primary Red	120	Deep Blue	200	Double CT Blue
26	Bright Red	165	Daylight Blue	206	Quarter CT Orange
27	Medium Red	161	Slate Blue	205	Half CT Orange
19	Fire	118	Light Blue	204	FULL CT Orange



# DIMMER CURVES



Dimming Curve Ramp Effect	0 sec Fade Time		1 sec Fade Time	
	Rise Time (ms)	Down Time (ms)	Rise Time (ms)	Down Time (ms)
Standard (default)	0	0	0	0
Stage	780	1100	1540	1660
TV	1180	1520	1860	1940
Architectural	1380	1730	2040	2120
Theatre	1580	1940	2230	2280
Stage 2	0	1100	0	1660



# SOFTWARE UPDATES



**ONLY QUALIFIED TECHNICIANS SHOULD PERFORM THIS FUNCTION!  
NOTE ALL MENU SETTINGS BEFORE UPDATING SOFTWARE!  
FIXTURE SOFTWARE CANNOT BE DOWNGRADED!  
DOWNLOAD FIXTURE SOFTWARE TO PC ONLY – NO MAC SUPPORT!  
PLEASE CONTACT ELATION SERVICE FOR ADDITIONAL INFORMATION.**

An Elation E-Loader III can be used to update the fixture to the latest software. Please visit the E-Loader III product page at the Elation web site and download the product manual for step by step instructions.

<https://www.elationlighting.com/e-loader-iii-software-uploader>

To order the E-Loader III uploader and the updated software for your fixture, or for detailed information or assistance, please contact Elation support.

# ERROR CODES

Error Codes subject to change without notice.	
ERROR CODES	DESCRIPTION
<b>PAN Er</b>	Movement is not located in the default position after the reset. These messages will appear after a fixture reset if the magnetic-indexing circuit malfunctions (sensor failed, or magnet is missing) or there is a motor failure (defective motor or a defective motor IC drive on the main PCB). This error may also be displayed if the head/yoke was blocked during a reset function.
<b>TILT Er</b>	
<b>RotGobo</b>	Movement is not located in the default position after the reset. These messages will appear after a fixture reset if the magnetic-indexing circuit malfunctions (sensor failed, or magnet is missing) or there is a motor failure (defective motor or a defective motor IC drive on the main PCB).
<b>GoboIndex</b>	
<b>FixedGobo</b>	
<b>Iris</b>	
<b>Animation</b>	
<b>Anima.Index</b>	
<b>Blade</b>	
<b>Zoom</b>	
<b>Focus</b>	
<b>Frost</b>	
<b>Prism</b>	
<b>PrismIndex</b>	
<b>HeadTemp</b>	These messages will appear if there is a temperature and/or fan malfunction.
<b>CoolFan1</b>	
<b>CoolFan2</b>	
<b>CoolFan3</b>	
<b>CoolFan4</b>	
<b>BaseTemp</b>	
<b>BaseFan</b>	

# SPECIFICATIONS

## SOURCE

305W 65000K RGBMA LED Engine. 92 CRI  
30,000 Hour Average LED Life\*

\*Test lab condition. May vary depending on several factors including but not limited to:  
Environmental Conditions, Power/Voltage, Usage Patterns (On-Off Cycling), Control, and Dimming.

## EFFECTS

Motorized Zoom  
4 Rotating Full Blackout Framing Blades (+/- 60 Index)  
Variable Frost Filter  
Rotating 4-Facet Prism  
Motorized Iris  
Variable 16-bit Dimming Curve Modes  
High Speed Electronic Shutter and Strobe  
DMX Controllable LED Refresh Rate Frequency

## COLOR

RGBMA Color Array  
CMY Emulation  
Virtual Color Correction (2,400K - 8,500K)  
Green / Magenta Shift  
Virtual Gel Swatch Book

## GOBOS

2 Gobo Wheels  
6 Rotating / Indexing Interchangeable Glass Gobos  
7 Fixed Glass Gobos  
Animation Wheel

## CONTROL / CONNECTIONS

4 DMX Channel Modes (RGBMA 38 / 59) (CMY 36 / 55)  
16-bit Pan, Tilt, and Dimming Control  
Motorized Focus  
DMX, RDM Protocol Support  
4 Button / Touch Screen Control Panel  
Full Color 180° Reversible LCD Touch Panel Menu Display  
5pin DMX In/Out  
Power In/Out  
USB Connection (Firmware Updates)

## SIZE / WEIGHT

Length: 16.06 in (408mm)  
Width: 20.4 in (518.2mm)  
Height: 27.48 in (698mm)  
Weight: 57.0 lbs. (25.9kg)

## ELECTRICAL / THERMAL

AC 100-240V - 50/60Hz  
540W Max Power Consumption  
14°F to 113°F (-10°C to 45°C)  
BTU/hr (+/- 10%) 1841

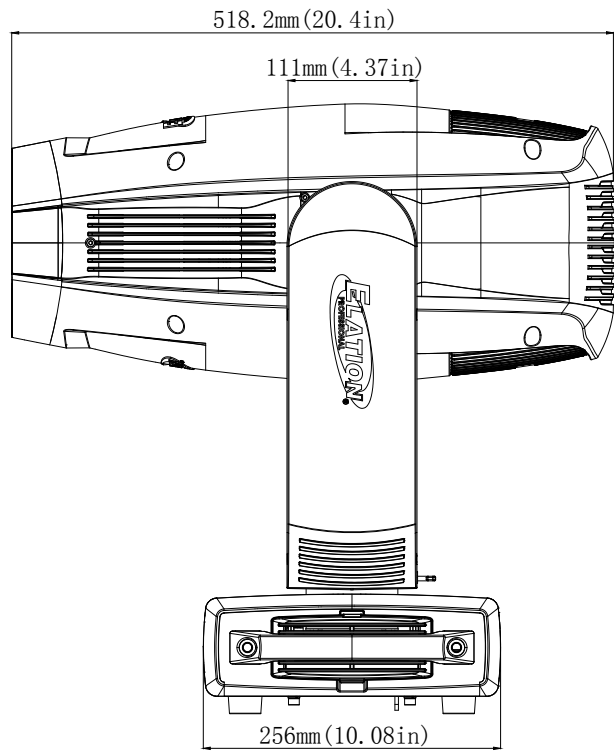
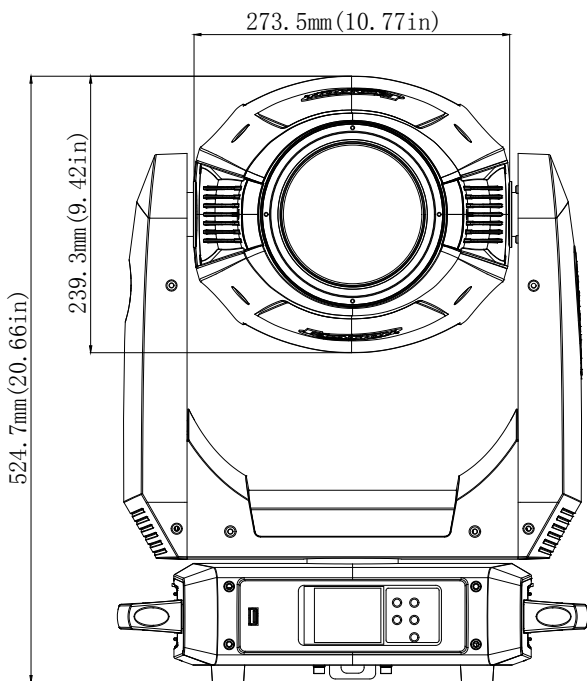
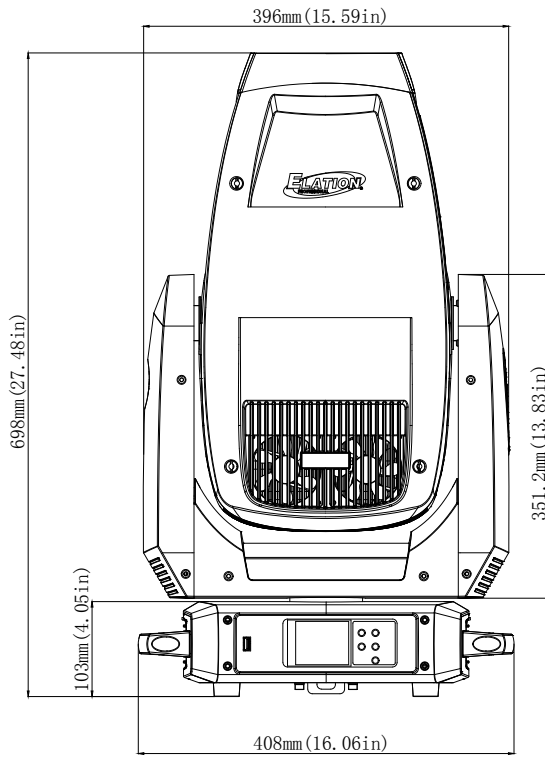
## APPROVALS / RATINGS

CE | IP30 | cETLus

Specifications and improvements in the design of this unit and this manual are subject to change without notice.

# DIMENSIONAL DRAWINGS

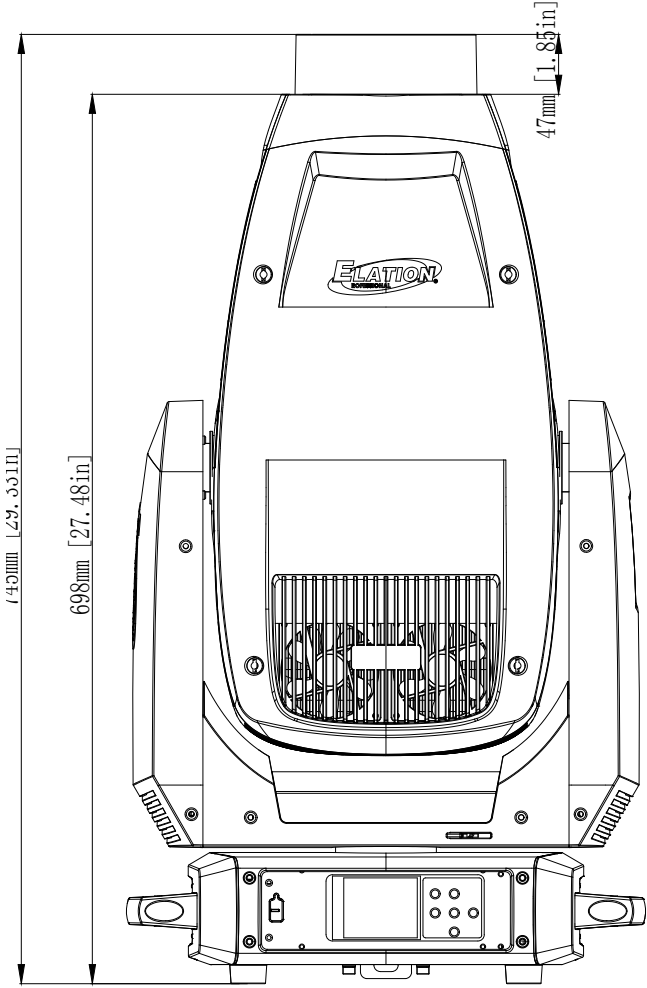
\*drawings not to scale



Specifications and improvements in the design of this unit and this manual are subject to change without notice.

# DIMENSIONAL DRAWINGS – With Snoot Attached

\*drawings not to scale



Specifications and improvements in the design of this unit and this manual are subject to change without notice.

## OPTIONAL ACCESSORIES

ORDER CODE	ITEM
TRIGGER CLAMP	Heavy Duty Wrap Around Hook Style Clamp
SIP126	5 ft. (1.5m) IP65 Twist Lock Power Link Cable
AC5PDMX5PRO	5 ft. (1.5m) 5pin PRO DMX Cable
	Additional Cable Lengths Available

**FCC STATEMENT**

This device complies with Part 15 of the FCC Rules. Operation is subject to the following two conditions: (1) this device may not cause harmful interference, and (2) this device must accept any interference received, including interference that may cause undesired operation.

**FCC RADIO FREQUENCY INTERFERENCE WARNINGS & INSTRUCTIONS**

This product has been tested and found to comply with the limits as per Part 15 of the FCC Rules. These limits are designed to provide reasonable protection against harmful interference in a residential installation. This device uses and can radiate radio frequency energy and, if not installed and used in accordance with the included instructions, may cause harmful interference to radio communications. However, there is no guarantee that interference will not occur in a particular installation. If this device does cause harmful interference to radio or television reception, which can be determined by turning the device off and on, the user is encouraged to try to correct the interference by one or more of the following methods:

- Reorient or relocate the device.
- Increase the separation between the device and the receiver.
- Connect the device to an electrical outlet on a circuit different from which the radio receiver is connected.
- Consult the dealer or an experienced radio/TV technician for help.

**Europe Energy Saving Notice**

Energy Saving Matters (EuP 2009/125/EC)

Saving electric energy is a key to help protecting the environment. Please turn off all electrical products when they are not in use. To avoid power consumption in idle mode, disconnect all electrical equipment from power when not in use. Thank you.







