



# CRISP MAX

## SPECIFICATIONS / TECHNICAL DATA

### KEY FEATURES

1250W high-output Magmatic snow technology

Adjustable snowflake size

Road case for outdoor operation and extra protection

Snow cannon can remain inside road case to minimize noise level. IP20, dry location



### PRODUCT DESCRIPTION

Introducing **POLAR CRISP MAX™** from **MAGMATIC** atmospheric effects, a dependable, high-output snow machine that makes it easy to create scene-setting wintry settings. CRISP MAX is capable of producing high volumes of naturalistic snow with the capacity to adjust snowflake size for greater versatility. It includes a 20-liter fluid tank hidden inside a road case with durable casters for easier portability. The unit's 10-meter long hose can be rigged on a standard truss or tripod stand and can extend up to 30 meters horizontally or vertically.

### PRODUCT SPECIFICATIONS

#### DYNAMIC EFFECTS

Snow Adjustment: 0-100%

Fan Speed Adjustment: 50% or 100%

Auto-Cleaning Feature

#### CONTROL

2 Card Inputs for optional cards

RDM (Remote Device Management)

Control Protocol: DMX512

DMX Modes: 3 (1, 3 & 5 Channel)

On-Board Timing Control

5 Factory Presets

4-pin Wired Remote Input

Touch Screen Display

Manual Trigger via Touch Display

#### CONNECTIONS

Data Connector: 5-pin XLR In / Out for DMX connections, 4-pin XLR for optional wired remote.

Locking Power Connector

#### CONSTRUCTION / PHYSICAL / PERFORMANCE

Dimensions: (LxWxH) 21.3 x 21.1 x 24.5in / 540 x 535 x 623.5mm

Weight: 77.17lbs / 35kg

Fluid Tank Capacity: 20L

Fluid Consumption: 16.9 fl. oz/min (500ml/min)

MAGMATIC



# CRISP MAX

## SPECIFICATIONS / TECHNICAL DATA

### COMPATIBLE FLUID

Recommended Fluid: Atmosity Premium Snow Fluid. APS-1LC (Concentrate = 20L), APS-4LC (Concentrate = 80L), APS-10LC (Concentrate = 200L), APS-4L, APS-20L

### ELECTRICAL

Power Consumption: 1250w  
Input Voltage: 120V, 230V, 240V, 50 & 60Hz  
Breaker Size: 15A (120V Version)  
Breaker Size: 9A (230V Version)

### CERTIFICATIONS / QUALIFICATIONS / THERMAL

IP Rating: IP20, dry location  
Maximum Temperature (Ambient): 104°F (40°C)  
Exterior Surface Temperature: 122°F (50°C)  
CE / cETLus

### WHAT'S INCLUDED

Flight Case  
14AWG Locking Power Cable  
Snow Canon  
10-Meter Long Hose

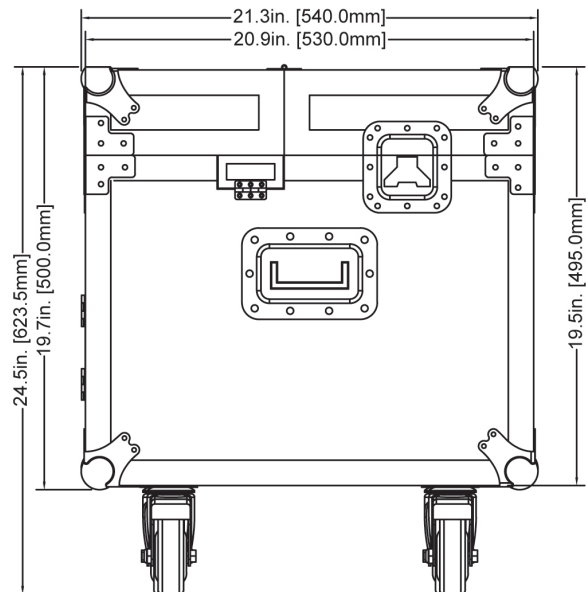
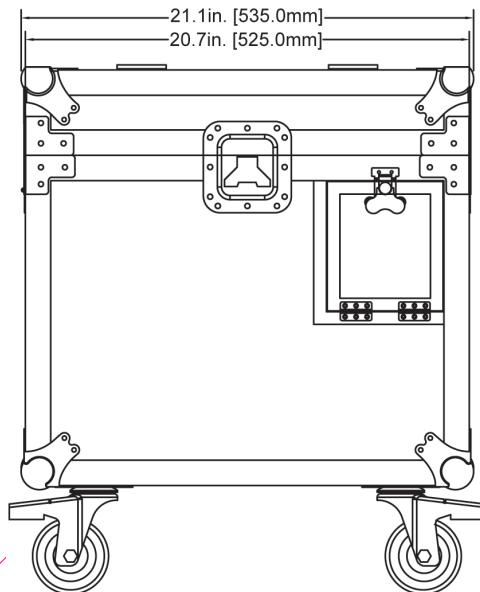
### OPTIONAL ACCESSORIES

MagFLY Card  
MagAPP Card "Still in development"  
MagRF Card  
PSCM Hose-10M (PSC100)  
PM-DMX1

### APPROVALS / RATINGS

CE | cETLus

Specifications and documentation subject to change without notice.



MAGMATIC