

VOLT Q5E SIX PACK™
user manual

©2022 ELATION PROFESSIONAL all rights reserved. Information, specifications, diagrams, images, and instructions herein are subject to change without notice. ELATION PROFESSIONAL logo and identifying product names and numbers herein are trademarks of ELATION PROFESSIONAL. Copyright protection claimed includes all forms and matters of copyrightable materials and information now allowed by statutory or judicial law or hereinafter granted. Product names used in this document may be trademarks or registered trademarks of their respective companies and are hereby acknowledged. All non-ELATION brands and product names are trademarks or registered trademarks of their respective companies.

ELATION PROFESSIONAL and all affiliated companies hereby disclaim any and all liabilities for property, equipment, building, and electrical damages, injuries to any persons, and direct or indirect economic loss associated with the use or reliance of any information contained within this document, and/or as a result of the improper, unsafe, insufficient and negligent assembly, installation, rigging, and operation of this product.

Elation Professional USA | 6122 S. Eastern Ave. | Los Angeles, CA. 90040

323-582-3322 | 323-832-9142 fax | www.elationlighting.com | info@elationlighting.com

Elation Professional B.V. | Junostraat 2 | 6468 EW Kerkrade, The Netherlands

+31 45 546 85 66 | +31 45 546 85 96 fax | www.elationlighting.eu | info@elationlighting.eu

Elation Professional Mexico | AV Santa Ana 30 | Parque Industrial Lerma, Lerma, Mexico 52000

+52 (728) 282-7070

DOCUMENT VERSION



Due to additional product features and/or enhancements, an updated version of this document may be available online. Please scan the QR Code with your mobile device or visit www.elationlighting.com for the latest revision/update of this manual, before installation and/or programming.

Date	Document Version	Software Version ≥	DMX Channel Modes	Notes
01/23/2013	1	1.0.0	34/44/32/40	Initial Release
2/2015	2	1.0.3	4/5/11/12	Added DMX channels modes 11 and 12 (color chase macro speed, dimming curves and white balance).
12/10/20	3	≥V1.0.4	N/C	Updated Primary/Secondary Modes
01/18/22	4	N/C	N/C	Updated Specifications, General Information
03/08/22	5	N/C	N/C	Updated Format

CONTENTS

General Information	4
Warranty Returns (USA Only)	5
Safety Guidelines	6
Maintenance Guidelines	8
Overview	9
Battery Charging	10
Installation Guidelines	11
System Menu	14
Internal Wireless DMX Receiver Setup	19
DMX Channel Functions and Values	21
Specifications	23
Optional Accessories	25

GENERAL INFORMATION

INTRODUCTION

Please read and understand the instructions in this manual carefully and thoroughly before attempting to operate this device. These instructions contain important safety and use information.

IP65 RATED

An IP rated lighting fixture is one, which is commonly installed in outdoor environments and has been designed with an enclosure that effectively protects the ingress (entry) of external foreign objects such as dust and water. The **International Protection (IP)** rating system is commonly expressed as "IP" (Ingress Protection) followed by two numbers (i.e. IP65) where the numbers define the degree of protection. The first digit (Foreign Bodies Protection) indicates the extent of protection against particles entering the fixture and the second digit (Water Protection) indicates the extent of protection against water entering the fixture. An **IP65** rated lighting fixture is one, which has been designed and tested to protect against the ingress of dust (**6**) and high-pressure water jets from any direction (**5**).

UNPACKING

Every device has been thoroughly tested and has been shipped in perfect operating condition. Carefully check the shipping carton for damage that may have occurred during shipping. If the carton is damaged, carefully inspect the device for damage, and be sure all accessories necessary to install and operate the device have arrived intact. In the event damage has been found or parts are missing, please contact our customer support team for further instructions. Please do not return this device to your dealer without first contacting customer support. Please do not discard the shipping carton in the trash. Please recycle whenever possible.

BOX CONTENTS

- (1) VOLT Q5 Charging Road Case + powerCON Cable
- (6) VOLT Q5E™ Fixtures
- (6) 9.8 ft. (3m) 3pin IP Female to 3pin DMX Male DATA INPUT Cables
- (6) Magnetic Frost Filters
- (6) Omega Brackets

CUSTOMER SUPPORT

Contact **ELATION Service** for any product related service and support needs. Also visit forums.elationlighting.com with questions, comments or suggestions.

ELATION SERVICE USA - Monday - Friday 8:00am to 4:30pm PST
323-582-3322 | Fax 323-832-9142 | support@elationlighting.com

ELATION SERVICE EUROPE - Monday - Friday 08:30 to 17:00 CET
+31 45 546 85 63 | Fax +31 45 546 85 96 | support@elationlighting.eu

REPLACEMENT PARTS please visit parts.elationlighting.com

WARRANTY RETURNS (USA ONLY)

- A. Elation Professional hereby warrants, to the original purchaser, Elation Professional products to be free of manufacturing defects in material and workmanship for a period of two years (730 days), and Elation Professional product rechargeable batteries to be free of manufacturing defects in material and workmanship for a period of six months (180 days), from the original date of purchase. This warranty excludes discharge lamps and all product accessories. This warranty shall be valid only if the product is purchased within the United States of America, including possessions and territories. It is the owner's responsibility to establish the date and place of purchase by acceptable evidence, at the time service is sought.
- B. For warranty service, send the product only to the Elation Professional factory. All shipping charges must be pre-paid. If the requested repairs or service (including parts replacement) are within the terms of this warranty, Elation Professional will pay return shipping charges only to a designated point within the United States. If any product is sent, it must be shipped in its original package and packaging material. No accessories should be shipped with the product. If any accessories are shipped with the product, Elation Professional shall have no liability what so ever for loss and/or or damage to any such accessories, nor for the safe return thereof.
- C. This warranty is void if the product serial number and/or labels are altered or removed; if the product is modified in any manner which Elation Professional concludes, after inspection, affects the reliability of the product; if the product has been repaired or serviced by anyone other than the Elation Professional factory unless prior written authorization was issued to purchaser by Elation Professional; if the product is damaged because not properly maintained as set forth in the product instructions, guidelines and/or user manual.
- D. This is not a service contract, and this warranty does not include any maintenance, cleaning or periodic check-up. During the periods as specified above, Elation Professional will replace defective parts at its expense, and will absorb all expenses for warranty service and repair labor by reason of defects in material or workmanship. The sole responsibility of Elation Professional under this warranty shall be limited to the repair of the product, or replacement thereof, including parts, at the sole discretion of Elation Professional. All products covered by this warranty were manufactured after January 1, 1990, and bare identifying marks to that effect.
- E. Elation Professional reserves the right to make changes in design and/or performance improvements upon its products without any obligation to include these changes in any products theretofore manufactured.
- F. No warranty, whether expressed or implied, is given or made with respect to any accessory supplied with the products described above. Except to the extent prohibited by applicable law, all implied warranties made by Elation Professional in connection with this product, including warranties of merchantability or fitness, are limited in duration to the warranty periods set forth above. And no warranties, whether expressed or implied, including warranties of merchantability or fitness, shall apply to this product after said periods have expired. The consumer's and/or dealer's sole remedy shall be such repair or replacement as is expressly provided above; and under no circumstances shall Elation Professional be liable for any loss and/or damage, direct and/or consequential, arising out of the use of, and/or the inability to use, this product.
- G. This warranty is the only written warranty applicable to Elation Professional products and supersedes all prior warranties and written descriptions of warranty terms and conditions heretofore published.

WARRANTY RETURNS

All returned service items whether under warranty or not, must be freight pre-paid and accompany a return authorization (R.A.) number. The R.A. number must be clearly written on the outside of the return package. A brief description of the problem as well as the R.A. number must also be written down on a piece of paper and included in the shipping container. If the unit is under warranty, you must provide a copy of your proof of purchase invoice. Items returned without a R.A. number clearly marked on the outside of the package will be refused and returned at customer's expense. You may obtain a R.A. number by contacting customer support.

SAFETY GUIDELINES

These fixtures are sophisticated pieces of electronic equipment. To guarantee a smooth operation, it is important to follow all instructions and guidelines in this manual. Elation Professional is not responsible for injury and/or damages resulting from the misuse of these fixtures and charging road case due to the disregard of the information printed in this manual. Only qualified and/or certified personnel should perform installation of these fixtures and only the original rigging parts (omega brackets) included with these fixtures should be used for installation. Any modifications to the fixtures, road case, and/or the included mounting hardware will void the original manufactures warranty and increase the risk of damage and/or personal injury.



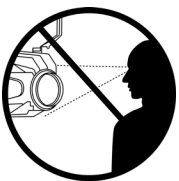
**PROTECTION CLASS 1 - ROAD CASE MUST BE PROPERLY GROUNDED.
FIXTURES MUST PROPERLY GROUNDED BE IF USING POWER CABLES.**



THERE ARE NO USER SERVICEABLE PARTS INSIDE THE FIXTURES OR ROAD CASE. DO NOT ATTEMPT ANY REPAIRS YOURSELF; DOING SO WILL VOID YOUR MANUFACTURES WARRANTY. DAMAGES RESULTING FROM MODIFICATIONS TO THE FIXTURES AND/OR ROAD CASE AND/OR THE DISREGARD OF SAFETY INSTRUCTIONS AND GUIDELINES IN THIS MANUAL VOID THE MANUFACTURES WARRANTY AND ARE NOT SUBJECT TO ANY WARRANTY CLAIMS AND/OR REPAIRS.



**DO NOT PLUG FIXTURES AND/OR ROAD CASE INTO A DIMMER PACK!
NEVER OPEN FIXTURES WHILE IN USE!
UNPLUG POWER BEFORE SERVICING FIXTURES!
NEVER TOUCH FIXTURES DURING OPERATION, AS THEY MAY BE HOT!
KEEP FLAMMABLE MATERIALS AWAY FROM FIXTURES AND ROAD CASE!**



**NEVER LOOK DIRECTLY INTO THE LIGHT SOURCE!
RETINA INJURY RISK - MAY INDUCE BLINDNESS!
SENSITIVE PERSONS MAY SUFFER AN EPILEPTIC SHOCK!**



ENSURE ALL CONNECTIONS AND END CAPS ARE PROPERLY SEALED WITH A DIELECTRIC GREASE (AVAILABLE AT MOST ELECTRICAL SUPPLIERS) TO PREVENT WATER CORROSION AND/OR ELECTRICAL SHORT CIRCUIT.

SAFETY GUIDELINES

DO NOT TOUCH the fixture housing during operation. Turn OFF the power/battery and allow approximately 15 minutes for the fixture to cool down before serving.

DO NOT shake fixtures, avoid brute force when installing and/or operating fixtures.

DO NOT operate fixtures or road case if the power cord is frayed, crimped, damaged and/or if any of the power cord connectors are damaged and do not insert into the fixture or road case securely with ease. **NEVER** force a power cord connector into the fixture or road case. If the power cord or any of its connectors are damaged, replace it immediately with a new one of similar power rating.

ALWAYS disconnect fixture from main power source before performing any type of service and/or cleaning procedure. Only handle the power cord by the plug end, never pull out the plug by tugging the wire portion of the cord.

During the initial operation of this fixture, a light smoke or smell may emit from the interior of the fixture. This is a normal process and is caused by excess paint in the interior of the casing burning off from the heat associated with the lamp and will decrease gradually over time.

Consistent operational breaks will ensure fixture will function properly for many years.

ONLY use the **ROAD CASE** to transport all 6 fixtures in for service. If you have a need to send less than 6 fixtures, please contact **ELATION SERVICE** for packaging instructions.

BATTERY USE

DO NOT EXPOSE BATTERY TO EXTREME HOT OR COLD TEMPERATURES.

DO NOT EXPOSE BATTERY TO WATER OR WET ENVIRONMENTS.

KEEP FLAMMABLE MATERIALS AND/OR FIRE AWAY FROM THE BATTERY.

DO NOT OPEN AND/OR DISASSEMBLE THE BATTERY.

DO NOT TOUCH AN EXPOSED OR LEAKING BATTERY WITH BARE HANDS.

DO NOT USE A DAMAGED BATTERY IN THE FIXTURE.

TRANSPORT BATTERY ACCORDING TO ALL APPLICABLE LAWS AND REGULATIONS.

DISPOSE OF BATTERY ACCORDING TO ALL APPLICABLE LAWS AND REGULATIONS.

BATTERY CHARGING

PROTECTION CLASS 1 – CHARGING ROAD CASE MUST BE PROPERLY GROUNDED.

DO NOT PLUG CHARGING ROAD CASE INTO A DIMMER PACK.

DO NOT STACK CHARGING ROAD CASES WHILE CHARGING.

DO NOT MOVE CHARGING ROAD CASE WHILE CHARGING.

DO NOT CLOSE CHARGING ROAD CASE LID WHILE CHARGING, IT MUST REMAIN OPEN.

DO NOT LEAVE CHARGING ROAD CASE UNATTENDED WHILE CHARGING.

DO NOT EXPOSE CHARGING ROAD CASE TO RAIN AND/OR MOISTURE. INDOOR / DRY USE ONLY.

DO NOT CHARGE BATTERY IF THE FIXTURE HAS BEEN DROPPED AND/OR DAMAGED.

DO NOT SHORT THE POSITIVE BATTERY TERMINAL PIN, THIS WILL CAUSE DAMAGE.

DO NOT TOUCH BATTERY WHILE CHARGING, AS IT MAY BE HOT WHICH IS NORMAL.

DO NOT CHARGE THE BATTERY FOR MORE THAN 24 HOURS.

CHECK THE CHARGER POWER AND STATUS LED INDICATORS ROUTINELY.

UNPLUG POWER FROM CHARGING ROAD CASE BEFORE HANDLING FIXTURES.

BATTERY STORAGE

STORE BATTERY AT ROOM TEMPERATURE.

STORE CHARGING ROAD CASE IN A DRY ENVIRONMENT, AWAY FROM DIRECT SUNLIGHT.

DO NOT STORE FIXTURES IN CHARGING ROAD CASE WHEN BATTERIES ARE FULLY DRAINED.

DISPOSE OF BATTERY ACCORDING TO ALL APPLICABLE LAWS AND REGULATIONS.

MAINTENANCE GUIDELINES



DISCONNECT POWER BEFORE PERFORMING ANY MAINTENANCE!

CLEANING

Frequent cleaning is recommended to insure proper function, optimized light output, and an extended life. The frequency of cleaning depends on the environment in which the fixture operates: damp, smoky or particularly dirty environments can cause greater accumulation of dirt on the fixture's optics. Clean the external lens surface at least every 20 days with a soft cloth to avoid dirt/debris accumulation.

NEVER use alcohol, solvents, or ammonia-based cleaners.

MAINTENANCE

Regular inspections are recommended to insure proper function and extended life.

There are no user serviceable parts inside these fixtures and road case, please refer all other service issues to an authorized Elation service technician. Should you need any spare parts, please order genuine parts from your local Elation dealer.

Please refer to the following points during routine inspections:

A detailed electric check by an approved electrical engineer every three months, to make sure the circuit contacts are in good condition and prevent overheating.

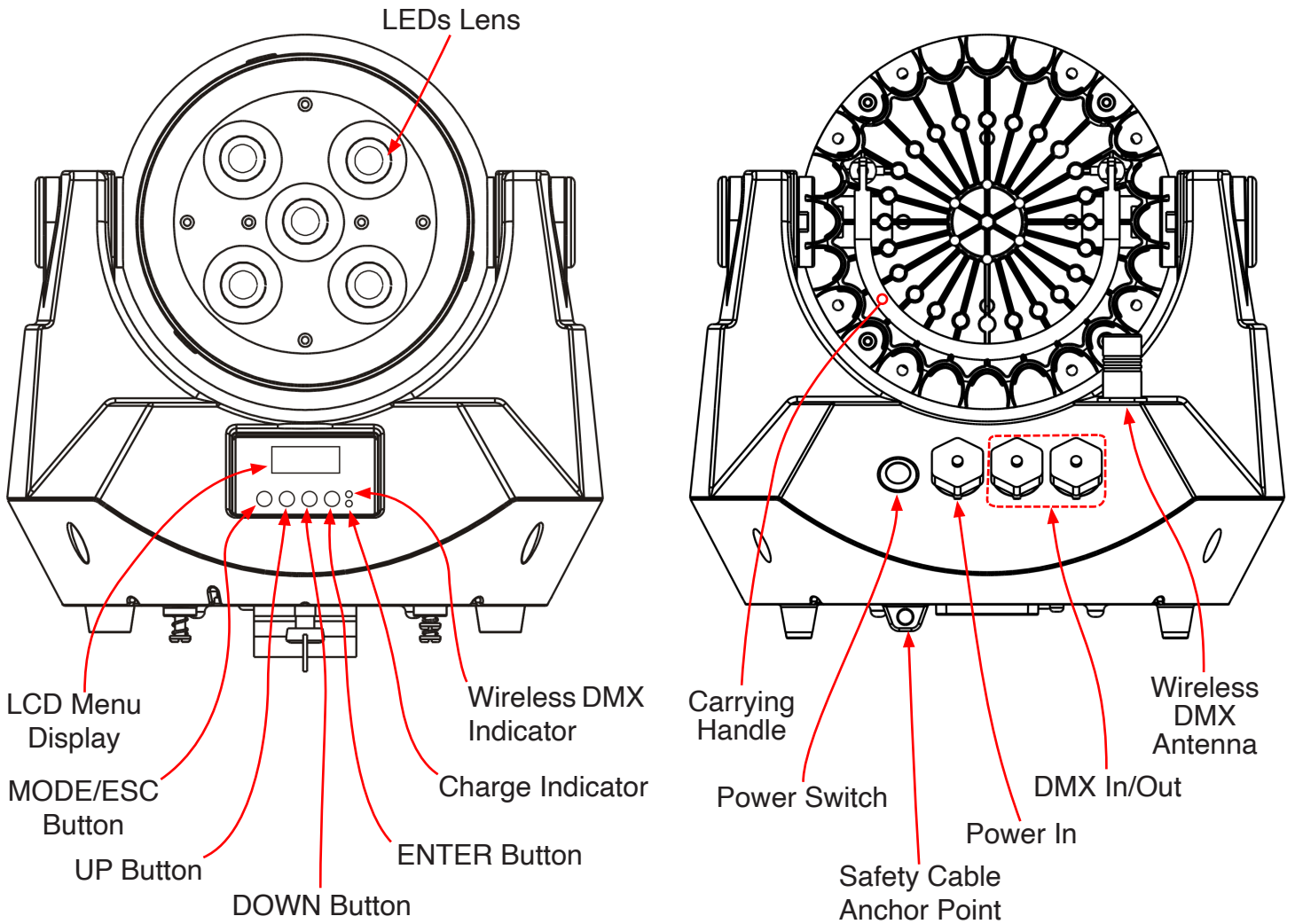
Be sure all screws and fasteners are securely tightened at all times. Loose screws may fall out during normal operation resulting in damage or injury as larger parts could fall.

Check for any deformations on the housing, color lenses, rigging hardware and rigging points (ceiling, suspension, trussing). Deformations in the housing could allow for dust to enter into the fixture. Damaged rigging points or unsecured rigging could cause the fixture to fall and seriously injure a person(s).

Electric power supply cables must not show any damage, material fatigue or sediments.

NEVER remove the ground prong from the power cable.

OVERVIEW



BATTERY CHARGING

The rechargeable Lithium-Ion battery provides up to **7 hours** of operation at FULL ON 100% intensity.



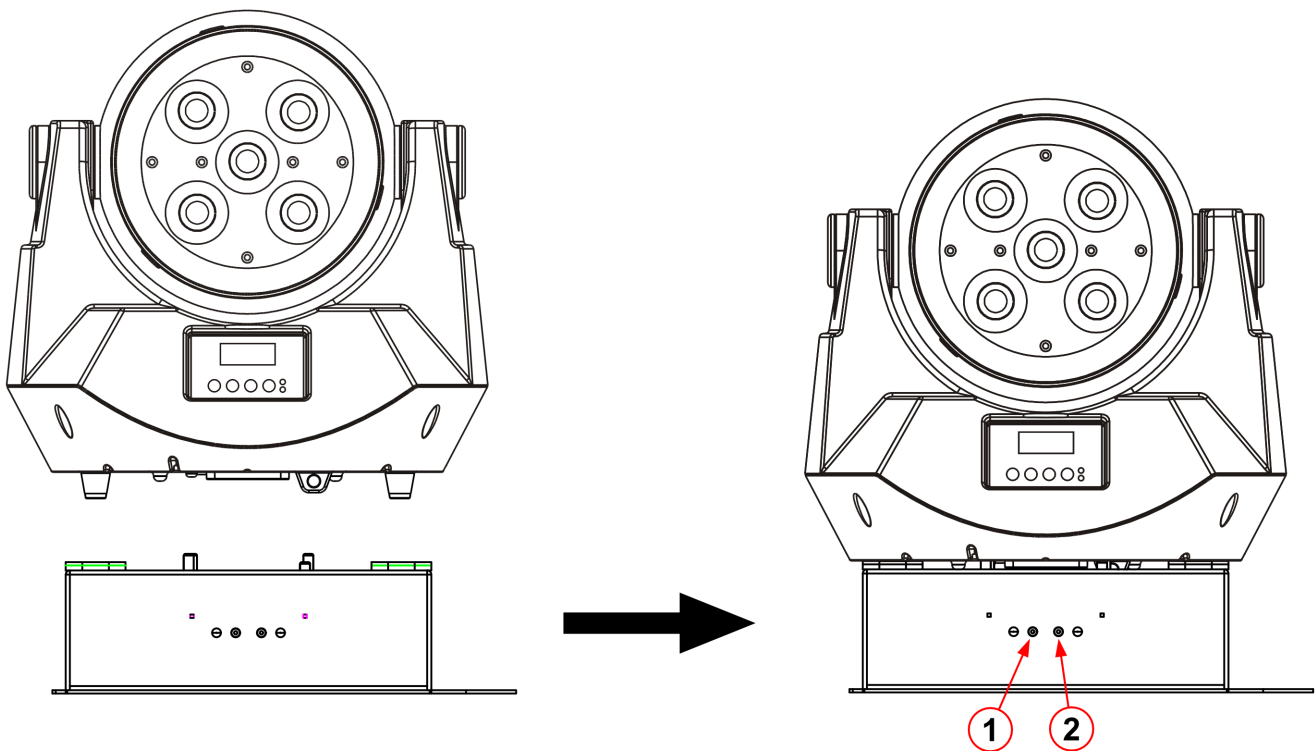
BATTERY LIFE MAY VARY DEPENDING ON FIXTURE USAGE, SETTINGS, INSTALLATION LOCATION TEMPERATURE, AND TOTAL NUMBER OF CHARGE CYCLES.

CHARGE TIME

Fixtures must be placed in charging road case for a period of 8 hours to fully charge.

RECHARGING AFTER USE

Connect the unit to the charger when the battery level reaches approximately **20%**. To check the battery life level, access the **BattInfo** menu on unit LCD menu display.



1. Power Indicator
2. Status Indicator:
RED = Charge Status
GREEN = Charge Complete

INSTALLATION GUIDELINES

IP65 RATED

An IP rated lighting fixture is one, which is commonly installed in outdoor environments and has been designed with an enclosure that effectively protects the ingress (entry) of external foreign objects such as dust and water. The International Protection (IP) rating system is commonly expressed as "IP" (Ingress Protection) followed by two numbers (i.e. IP65) where the numbers define the degree of protection. The first digit (Foreign Bodies Protection) indicates the extent of protection against particles entering the fixture and the second digit (Water Protection) indicates the extent of protection against water entering the fixture. An IP65 rated lighting fixture is one, which has been designed and tested to protect against the ingress of dust (6) and low-pressure water jets from any direction (5).

MARINE/COASTAL ENVIRONMENT INSTALLATIONS

Please note although this fixture is IP rated, the fixture is NOT suitable for marine and/or coastal environment installations. Installing this fixture in a marine and/or coastal environment may cause corrosion and/or excessive wear to the interior and/or exterior components of the fixture. Damages and/or performance issues resulting from installation in a marine and/or coastal environment will void the manufactures warranty and will NOT be subject to any warranty claims and/or repairs.

OPTIONAL CORROSION-RESISTANT COATING

Optional Corrosion-Resistant Coatings may be available for this fixture. Please contact Elation Professional for more details.



FLAMMABLE MATERIAL WARNING

Keep fixture minimum 5.0 feet (1.5m) away from flammable materials and/or pyrotechnics.



ELECTRICAL CONNECTIONS

A qualified electrician should be used for all electrical connections and/or installations.



ENSURE ALL CONNECTIONS AND END CAPS ARE PROPERLY SEALED WITH A NON-CONDUCTIVE DIELECTRIC GREASE (AVAILABLE AT MOST ELECTRICAL SUPPLIERS) TO PREVENT WATER INGRESS/CONDENSATION AND/OR CORROSION.

INSTALLATION GUIDELINES

OMEGA BRACKETS INSTALLATION

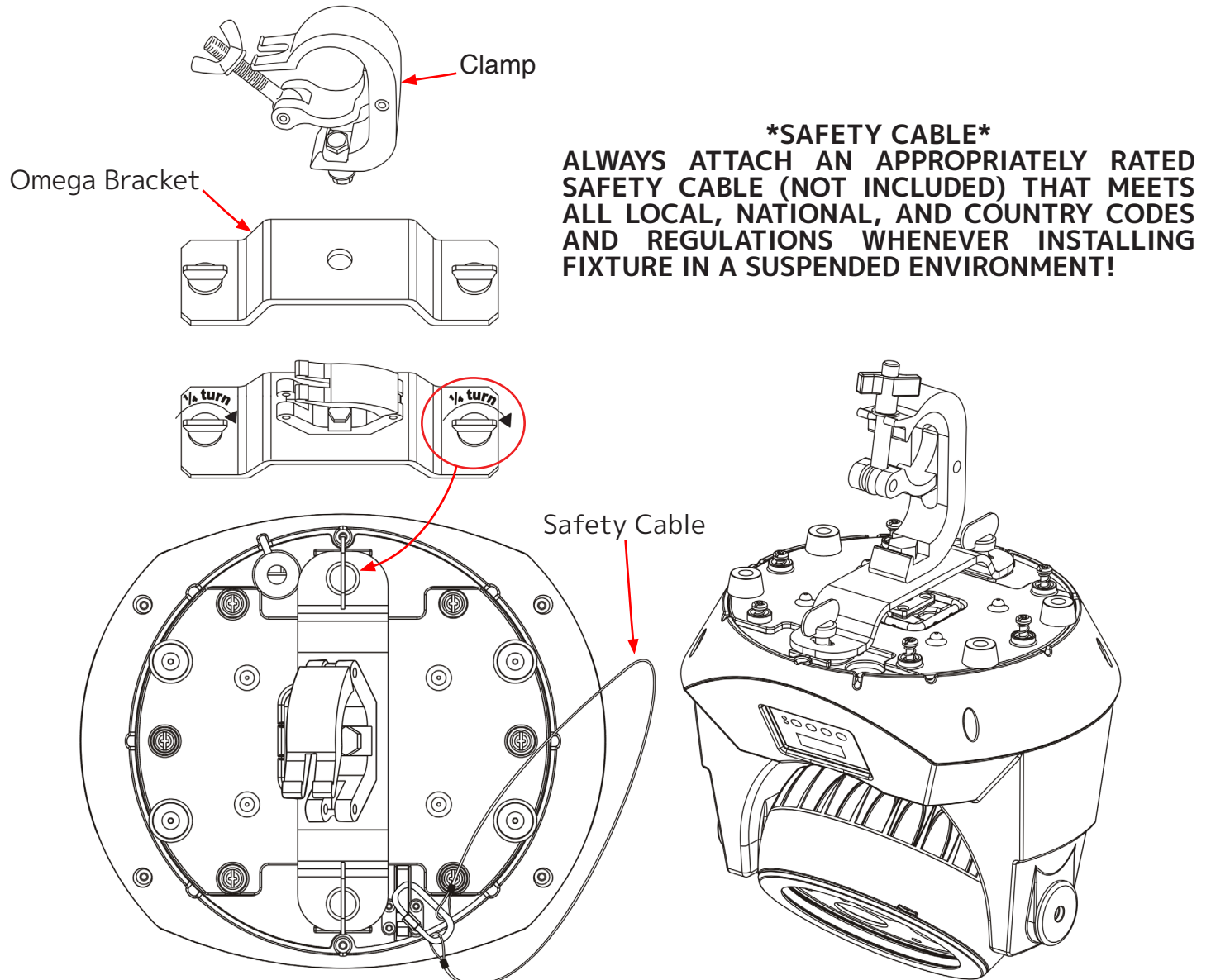
Use the included Omega Bracket to mount the fixture(s) on truss or other suitable structure. Insert the Omega Bracket into the matching holes on the bottom of each fixture. Secure the Omega Brackets to the fixture by turning each quick-lock fastener $\frac{1}{4}$ turn clockwise; making sure the fastener is completely locked. Omega Brackets can be installed into the fixture base as illustrated below.

CLAMP INSTALLATION

When mounting fixture to truss, be sure to secure an appropriately rated professional grade rigging clamp to the included **Omega Brackets** using an M10 screw fitted through the center hole of the **Omega Brackets**. The fixture provides a built-in rigging points for a **SAFETY CABLE**. Be sure to only use one of the designated rigging points for the safety cable and never secure a safety cable to a carrying handle.

RIGGING

Overhead rigging requires extensive experience, including amongst others calculating working load limits, installation material being used, and periodic safety inspection of all installation material and the fixture. If you lack these qualifications, do not attempt the installation yourself. Improper installation can result in bodily injury.



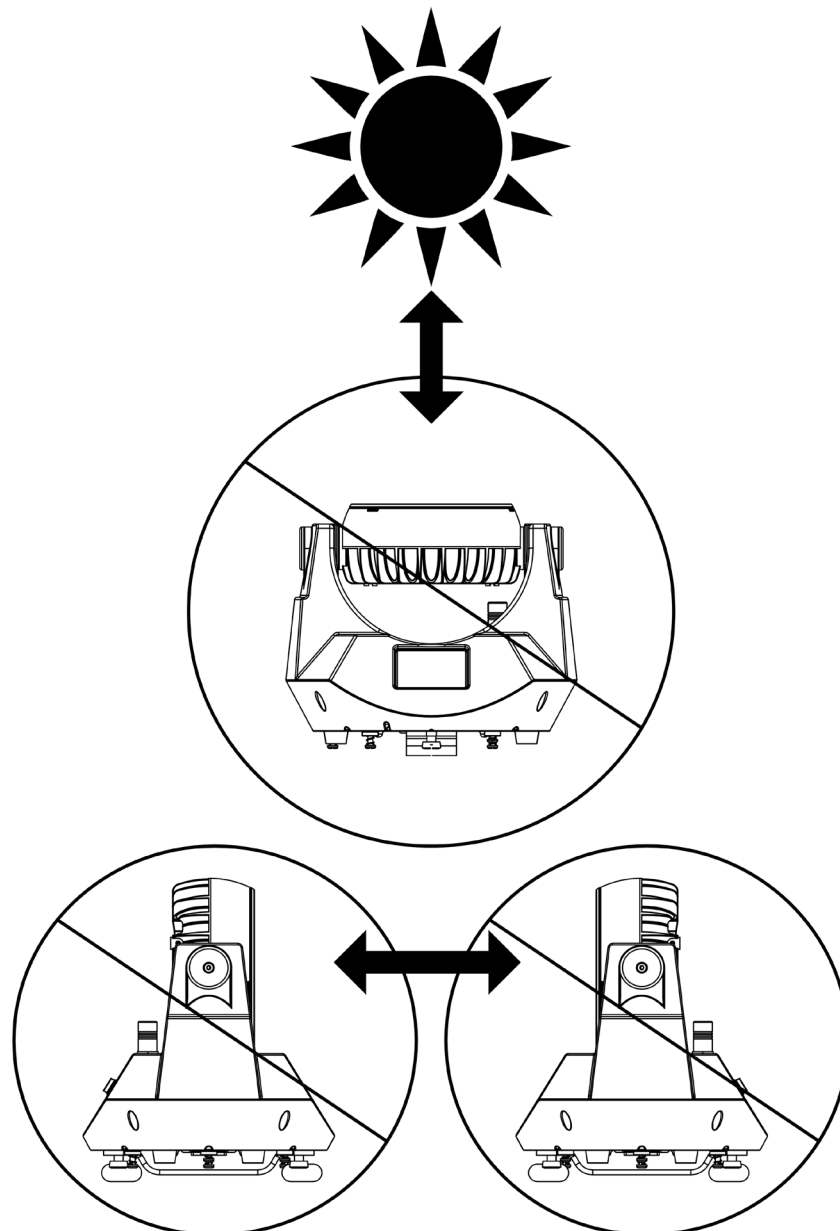
INSTALLATION GUIDELINES

POTENTIAL INTERNAL FIXTURE DAMAGE FROM EXTERNAL SOURCES OF LIGHT BEAMS

External sources of light beams from direct sunlight, lighting moving head fixtures, and lasers, which are focused directly towards the exterior housing and/or penetrate the front lens opening of ELATION lighting fixtures, can cause severe internal damage including burning to optics, dichroic color filters, glass and metal gobos, prisms, animation wheels, frost filters, iris, shutters, motors, belts, wiring, discharge lamps, and LEDs.

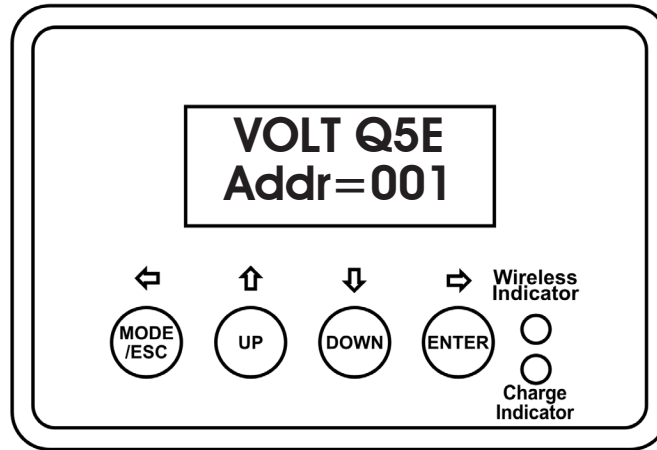
This issue is not specific only to ELATION lighting fixtures, it is a common issue with lighting fixtures from all manufacturers. Although there is no true way to fully prevent this issue from happening, the guidelines below can prevent any potential damage from occurring if followed. Contact ELATION Service for more details.

DO NOT EXPOSE THE FIXTURE AND/OR FRONT LENS OPENING TO LIGHT BEAMS FROM DIRECT SUNLIGHT, OTHER LIGHTING MOVING HEAD FIXTURES, AND LASERS WHILE UNPACKING, INSTALLATION, USE, AND EXTENDED IDLE TIMES OUTDOORS. DO NOT FOCUS A LIGHT BEAM FROM ONE LIGHTING FIXTURE DIRECTLY TOWARDS ANOTHER.



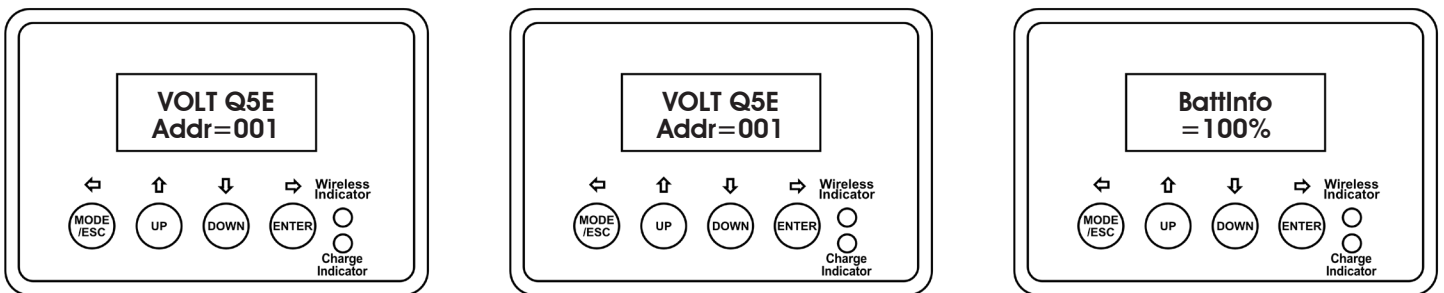
SYSTEM MENU

The fixture includes an easy to navigate system menu. The control panel (see image below) located on the front of the fixture, provides access to the main system menu and is where all necessary system adjustments are made to the fixture. During normal operation, pressing **MODE/ESC** button once will access the fixture's main menu. Once in the main menu you can navigate through the different functions and access the sub-menus with the **UP**, **DOWN**, **RIGHT**, and **LEFT** buttons. Once you reach a field that requires adjusting, press the **ENTER** button to activate that field and use the **UP** and **DOWN** buttons to adjust the field. Pressing the **ENTER** button once more will confirm your setting. You may exit the main menu at any time without making any adjustments by pressing the **MODE/ESC** button.



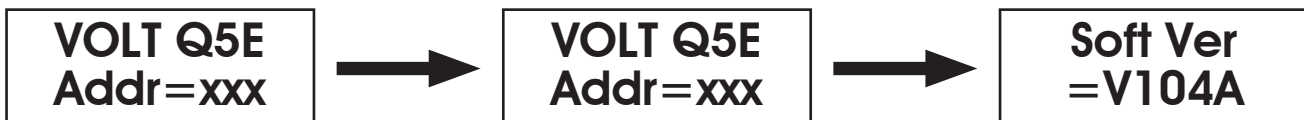
INFORMATION DISPLAYED DURING INITIAL POWER ON

When the fixture is initially powered ON, the display shows the following information:



SOFTWARE UPDATE VERSION ≥1.0.4A

With this software update, the display will show the Battery Info % after 30 seconds from initial power ON, and after 30 seconds from the last button press.



SYSTEM MENU

ELATION VOLT Q5E™				
Supports Software Versions: ≥ 1.0.3				
MAIN MENU	SUB MENU	OPTIONS / VALUES (Default Settings in BOLD)		DESCRIPTION
FuncMode	Address	A001~Axxx		DMX Address Setting
	ValuDisp	ALL.....		DMX Value Display
	SetSecondary	Secondary1, Secondary2, Secondary3		Secondary Setting
	AutoProg	Primary / Alone		Auto Program
Info	TimeInfo	Cur Time	XXXX (Hours)	Fixture Run Time From Power ON
		TotalHrs	XXXX (Hours)	Fixture Total Run Time
		Last Hrs	XXXX (Hours)	Clear Fixture Last Run Time
		TimePass	Password=XXX	Password 038
		Clr Last	ON/OFF	Reset Fixture Last Run Time
	TempInfo	HeadTemp	XXX C°/F°	Temperature in Fixture Head
	BattInfo	0-100%		Battery Charge Level
Soft Ver	V1.1.0		Software Version	
Persnal	Stat Set	Addr DMX	ON/OFF	Address Via DMX
		NoDMXSta	CloShut/ Hold /Auto	Auto Run If No DMX
	Disp Set	Off Time	02~59m 05m	Display Shut Off Time
		Key Lock	ON/OFF	Key Lock
	Temp C/F	Cels/ Fahren		Temperature Switch Between C° / F°
	Man Hold	ON/OFF		Manual Hold
	WDMX	WDMXoff		Wireless DMX = OFF
		ActWDMX		Activate Wireless DMX
		AcDaOut		Activate Wireless DMX and 3pin OUT
ClrWMX		Clear Wireless DMX Connection		
Reset Default	ON/OFF		Restore Factory Settings	
ManCntrl	ManCntrl	Auto, Red, Gree, Blue, Whit, Stro, Dimm, Macr, Temp....		Manual Control
Mode Set	User Mode	4CH		DMX Channel Modes
		5CH		
		11CH		
		12CH		
EditProg	Sel Prog	ProPart1 = Prog 1~10 (Program 1)		Select Programs To Be Run
		Pro Part2 = Prog 1~10 (Program 2)		
		Pro Part3 = Prog 1~10 (Program 3)		
	Edit Prog	Prog 1	ProgTest	Testing Program
		:	EdStep01=SCxxx	Program In Loop
		Prog 10	EdStep64=SCxxx	Save and Exit
	EditScen	Scen001	Auto....	Save and Automatically Return
		~ Scen250	--Scen Time--	Manual Scenes Edit
RecCntrl	XX~XX	InByOut	Stores Scenes via Ext DMX Console	
			Automatic Scenes Recorder	

SYSTEM MENU

PERSNAL - Stat Set - Addr DMX

When ON, define the desired DMX address via an external controller.

NOTE: This process assumes the fixture DMX address is set to 001. If fixture DMX address is not at 001, you must adjust the channel numbers accordingly in order for this feature to work. For example: if your fixture address is 010, then Channel 1 becomes Channel 10, Channel 2 becomes Channel 11, and Channel 3 becomes Channel 12.

1. Connect the fixture to the external controller and power ON.
2. Set the DMX value of **Channel 1** on the controller to (7).
3. Set the DMX value of **Channel 2** on the controller to (7) or (8). When set to (7), the DMX address can be set between (1) and (255). When set to (8), the DMX address can be set between (256) and (511).
4. Using **Channel 3** on the controller set the desired DMX address of the fixture.

Example 1: If the desired DMX address is 57, set **Channel 1** to a value of (7), set **Channel 2** to a value of (7), and then set **Channel 3** to a value of (57).

Example 2: If the desired DMX address is 420, set **Channel 1** to a value of (7), set **Channel 2** to a value of (8), and then set **Channel 3** to a value of (164). (256+164=420)

5. After setting **Channel 3** to the desired DMX address value, wait for approximately 20 seconds (some fixtures may require a longer time) for the fixture to complete the address reset function.

PERSNAL - Disp Set – Key Lock

When ON, Control Panel buttons lock automatically after exiting main menu for 15 seconds. To unlock, keep MODE/ESC button pressed for 3 seconds.

EDITPROG

Sel Prog

Select one of the (10) user defined internal Auto Programs.

EditProg

Edit any of the (10) user defined internal Auto Programs.

EditScen

Edit any of the scenes of the internal Auto Programs.

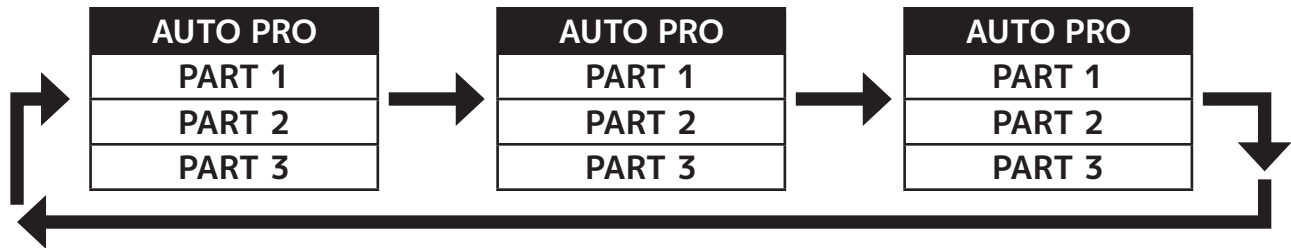
RecCntrl

The fixture features an integrated DMX-recorder by which you can transmit the programmed scenes from your DMX-controller to the fixture. Adjust the desired scene numbers via the encoder (from – to). When you call up the scenes at your controller, they will automatically be transmitted to the fixture.

SYSTEM MENU

EDIT PROGRAM – Record Controller – Working With Built In Programs

A Primary unit can send up to 3 different data groups to the Secondary units, i.e. a Primary unit can start 3 different Secondary units, which run 3 different programs. The Primary unit sends the 3 program parts in a continuous loop.



The Secondary unit receives data from the Primary unit according to the group which the Secondary unit was assigned to. If e.g. a Secondary unit is set to “**Secondary 1**” in the menu “**SetSecondary**”, the Primary unit sends “**Prog 1**” to the Secondary unit. If set to “**Secondary 2**”, the Secondary unit receives “**Prog 2**”. To start an Auto Program proceed as follows:

1. Secondary Setting

Select “**FuncMode**”.

Press **ENTER** to confirm.

Select “**SetSecondary**”.

Press **ENTER** to confirm.

Select “**Secondary 1**”, “**Secondary 2**” or “**Secondary 3**”.

Press **ENTER** to confirm.

Press **MODE/ESC** in order to return to the main menu.

2. Automatic Program Run

Select “**FuncMode**”.

Press **ENTER** to confirm.

Select “**AutoProg**”.

Press **ENTER** to confirm.

Select “**Primary**” or “**Alone**”.

Press **ENTER** to confirm.

Press **MODE/ESC** in order to return to the main menu.

3. Program Selection for Auto Pro Part

Select “**EditProg**”.

Press **ENTER** to confirm.

Select “**Sel Prog**”.

Press **ENTER** to confirm.

Select “**ProPart1**”, “**ProPart2**” or “**ProPart3**”, and select which Secondary program is to be sent. Selection “**Prog 1**” means, that the Secondary unit runs the same program as the primary units.

Press **ENTER** to confirm.

Press **MODE/ESC** in order to return to the main menu.

SYSTEM MENU

EDIT PROGRAM – Record Controller – Working with Built-In Program [continued]

4. Program Selection for Edit Program

Select “**EditProg**”.

Press **ENTER** to confirm.

Select the desired program. With this function you can edit specific scenes into a specific program.

Press **ENTER** to confirm.

Press **MODE/ESC** in order to return to the main menu.

5. Automatic Scene Recording

Select “**EditProg**”.

Press **ENTER** to confirm.

Select “**EditScen**”.

Select desired scene numbers. A maximum of 250 scenes can be programmed.

Press **ENTER** to confirm.

Press **MODE/ESC** in order to return to the main menu.

Example:

Program 2 includes scenes: 10, 11, 12, & 13

Program 4 includes scenes: 8, 9, & 10

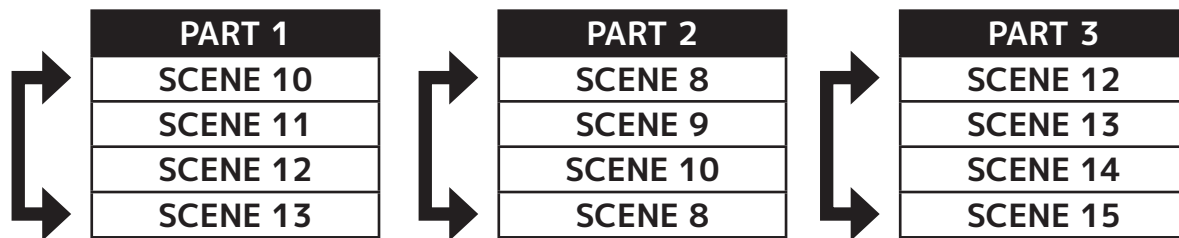
Program 6 includes scenes: 12, 13, 14, & 15

Auto Pro Part 1 is Program 2

Auto Pro Part 2 is Program 3

Auto Pro Part 3 is Program 6

The 3 Secondary groups run the Auto Program in certain time segments. (See chart below)



INTERNAL WIRELESS DMX RECEIVER (EWDMX)

The **VOLT Q5E™** is equipped with an internal **Elation Wireless DMX Receiver**, which is fully compatible with an **Elation Wireless DMX System**.

WORKING WITH THE INTERNAL WIRELESS DMX (EWDMX) System

Access the **“WDMX”** sub menu from the **“PERSNAL”** menu. The **“WDMX”** sub menu allows you to **“ActWDMX”** turn the system ON, **“AcDaOut”** turn the system ON and send DMX data out through DMX OUT port, **“WDMXOff”** turn the system OFF, or **“ClrWDMX”** clear the **EWDMX** system.

When the **EWDMX** system is in the **“ActWDMX”** mode, the internal DMX **“IN”** XLR jacks are turned OFF. However the internal DMX **“OUT”** XLR jacks will function normally. If the fixture is powered ON with the internal **EWDMX** system **“ActWDMX”**, it will automatically scan for a wireless DMX signal from an **Elation Wireless DMX Transmitter**. If NO wireless signal is received, it will switch to the wired DMX mode.

WARNING!



NEVER connect a fixture to a controller via a DMX cable when the EWDMX system is in use. This could cause serious damage to the controller!

SETTING UP THE EWDMX SYSTEM

Follow the instructions included with the **Elation EWDMX Transmitter** and connect it to the output of your DMX controller.

To sync your fixture with the **Elation EWDMX Transmitter** follow the steps below:

Initially, the **EWDMX** indicator on the fixture should be solid **RED**.

Press and hold the configuration button on your **EWDMX Transmitter** for about 3 seconds. The **RED/GREEN LED** indicators on the **EWDMX Transmitter** and the fixture should then begin to flash rapidly for 5~ 10 seconds while the two systems pair.

Once the fixture is paired with the **EWDMX Transmitter (T1)**, the **EWDMX** status indicators on the both the fixture and the **EWDMX Transmitter** will stop flashing and glow solid **GREEN**. If pairing is unsuccessful repeat the process until pairing is secured.

The fixture will store the pairing information inside a nondestructive memory bank once a link is created between the fixture and an **EWDMX Transmitter**. The fixture will remember the paired **EWDMX Transmitter** even if the fixture is turned OFF for extended periods of time.

INTERNAL WIRELESS DMX RECEIVER (EWDMX)

CLEARING EWDMX TRANSMITTER LINK

Access the fixture's main menu and toggle to the "PERSONAL" menu, then access the "WDMX" sub menu and select "ClrWDMX" to clear any existing link between the fixture and a EWDMX Transmitter. The EWDMX indicator on the fixture will turn solid **RED** when the link is severed.

You may also clear the link directly from the EWDMX Transmitter. First, be sure the fixture(s) is powered ON, and then hold down the configuration button on the WDMX Transmitter for as least 5 seconds. This will automatically clear the link between the EWDMX Transmitter and any fixture that is powered ON. All EWDMX indicators will glow solid RED if the procedure was successful.

EWDMX INDICATORS

RED/GREEN (Rapid Flashing) = Syncing to a EWDMX Transmitter

RED/GREEN (Slow Flashing) = Paired with a EWDMX Transmitter but not receiving a DMX signal from a controller.

GREEN (Solid) = Paired with a EWDMX Transmitter and receiving DMX data

RED (Solid) = Not paired with a EWDMX Transmitter (FREE)

WIRELESS EWDMX INSTALLATION LOCATION GUIDELINES

Wireless DMX signal can penetrate walls, glass, metal, and most objects. However, there are many factors that can affect and/or interrupt the wireless DMX signal, one of which is people. Therefore, it is highly recommended to position the wireless transmission antenna a minimum of 9.8 ft. (3m) above audiences and/or above ground level. Careful planning and testing of the selected installation location is critical to ensure optimum and reliable wireless DMX operation.

**9.8 ft (3m)
Above Ground**



DMX TRAITS: CHANNEL FUNCTIONS & VALUES

ELATION VOLT Q5E					
Supports Software Versions: $\geq 1.0.3$					
Features subject to change without notice					
MODE/CHANNEL				VALUE	FUNCTION
4 CH	5CH	11 CH	12 CH		
1	1	1	1		RED
				0-255	Red (0-100%)
2	2	2	2		GREEN
				0-255	Green (0-100%)
3	3	3	3		BLUE
				0-255	Blue (0-100%)
4	4	4	4		WHITE
				0-255	White (0-100%)
		5	5		COLOR CORRECTION
				0	NO Function
				1-255	1 = 2,700K/255 = 2,200K
		6	6		COLOR MACROS
				0	NO Function
				1-7	Color Macro 1
				8-15	Color Macro 2
				16-23	Color Macro 3
				24-31	Color Macro 4
				32-39	Color Macro 5
				40-47	Color Macro 6
				48-55	Color Macro 7
				56-63	Color Macro 8
				64-71	Color Macro 9
				72-79	Color Macro 10
				80-87	Color Macro 11
				88-95	Color Macro 12
				96-103	Color Macro 13
				104-111	Color Macro 14
				112-119	Color Macro 15
				120-127	Color Macro 16
				128-135	Color Macro 17
				136-143	Color Macro 18
				144-151	Color Macro 19
				152-159	Color Macro 20
				160-167	Color Macro 21
				168-175	Color Macro 22
				176-183	Color Macro 23
				184-191	Color Macro 24
				192-199	Color Macro 25
				200-207	Color Macro 26
				208-215	Color Macro 27
				216-223	Color Macro 28
				224-231	Color Macro 29
				232-239	Color Macro 30
240-247	Color Macro 31				
248-255	Color Macro 32				

ELATION VOLT Q5E					
Supports Software Versions: $\geq 1.0.3$					
Features subject to change without notice					
MODE/CHANNEL				VALUE	FUNCTION
4 CH	5CH	7 CH	9 CH		
			7		COLOR CHASE MACROS
				0	No Function
				1-30	Chase Macro 1
				31-60	Chase Macro 2
				61-90	Chase Macro 3
				91-120	Chase Macro 4
				121-150	Chase Macro 5
				151-180	Chase Macro 6
				181-210	Chase Macro 7
				211-255	Chase Macro 8
		7	8		SHUTTER / STROBE
				0-31	LEDs OFF
				32-63	LEDs ON (NO STROBE)
				64-95	STROBE Effect SLOW to FAST
				63-127	LEDs ON (NO STROBE)
				128-159	STROBE Pulse Effect In Sequence
				160-191	LEDs ON (NO STROBE)
				192-223	Random STROBE Effect SLOW to FAST
		224-255	LEDs ON (NO STROBE)		
	5	8	9		DIMMER INTENSITY
				0-255	Intensity 0 - 100%
		9	10		DIMMING MODES
				0-20	STANDARD
				21-40	STAGE
				41-60	TV
				61-80	ARCHITECTURAL
				81-100	THEATER
				101-255	Default to Unit Setting
		10	11		COLOR ENABLE
				0-189	NO Function
				190-255	Store WHITE BALANCE Enabled
		11	12		COLOR MODE
				0-189	NO Function
				190-254	EDIT a New WHITE BALANCE Value
				255	STORE a New WHITE BALANCE Value

SPECIFICATIONS

VOLT Q5E

SOURCE

(5) 10W QUAD Color RGBW LEDs
100,000 Hour Average Life*

*May vary depending on several factors including but not limited to:

Environmental Conditions, Power/Voltage, Usage Patterns (On-Off Cycling), Control, and Dimming.

PHOTOMETRIC DATA

38,450 LUX 3,572 FC @3.3 ft (1m) (9° Full ON)

EFFECTS

Variable Color Correction (2,700K - 7,200K)
Magnetic Frost Filter Gel Frame
Electronic Strobe and Dimming Curves
Multiple Color and Chase Macros

CONTROL / CONNECTIONS

(4) DMX Channel Modes (4 / 5 / 11 / 12)
Internal Wireless EWDMX Receiver (Not compatible with E-FLY)
(4) Button Control Panel
LCD Menu Display
3pin IP DMX In/Out
2pin IP Power Charger In
With Wired Digital Communication Network

VOLT Q5E™ SIZE / WEIGHT (single unit)

Length: 11.4" (290mm)
Width: 9.9" (252mm)
Vertical Height: 11.4" (289mm)
Weight: 15.0 lbs. (6.8 kg)

ELECTRICAL / THERMAL

DC 22-26.2V
65W Max Power Consumption (each unit)
14°F to 113°F (-10°C to 45°C)

INSTALLATION

Rigging: Clamps (Not Included) / Floor
Working Position: Any (360°)

APPROVALS / RATINGS

CE | cETLus | IP65



Intertek
4010832

Specifications and documentation subject to change without notice.

VOLT Q5™ CHARGING ROAD CASE

FEATURES

Charges (6) Volt Q5™ Units
Charge Status Windows for each unit

SIZE / WEIGHT (loaded case with 6 units)

Length: 44.0" (1118mm)
Width: 22.0" (560mm)
Vertical Height: 21.6" (548mm)
Loaded Weight: 240.0 lbs. (109 kg)

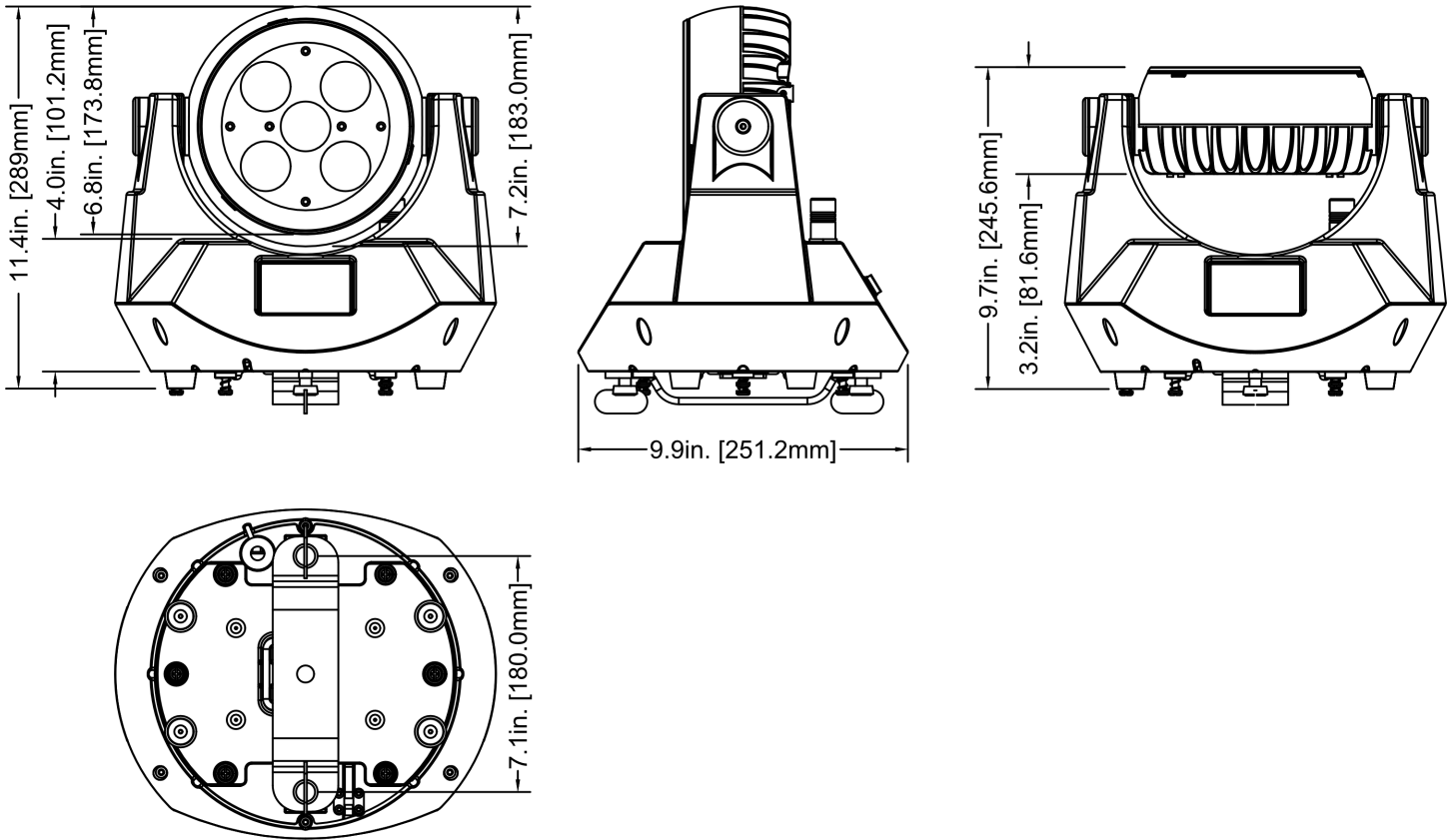
ELECTRICAL / THERMAL

Max Power Consumption: 265 Watts
In-Rush Current: 325 Watts
14°F to 113°F (-10°C to 45°C)

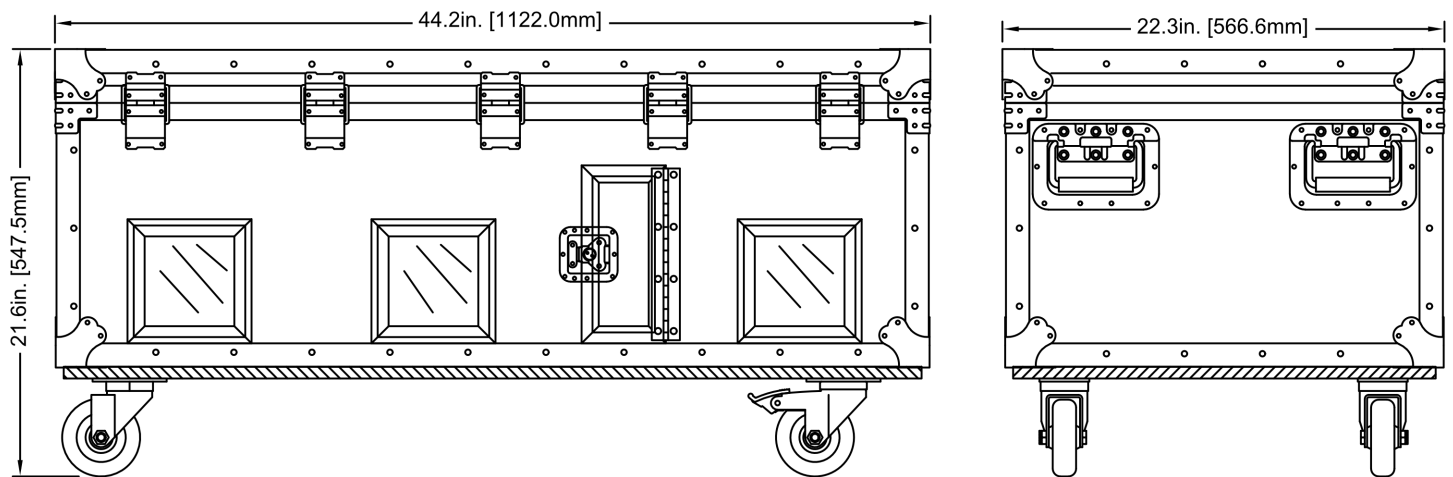
DIMENSIONS

*Drawings not to scale. Specifications and improvements in the design of this unit and this manual are subject to change without notice.

VOLT Q5E



CHARGING ROAD HOUSE



OPTIONAL ACCESSORIES

ITEM	DESCRIPTION
IP TESTER	IP Fixture Vacuum and Pressure Leak Tester
TRIGGER CLAMP	Heavy Duty Wrap Around Hook Style Clamp
EWD001	EWDMX IP Wireless IP65 DMX Transceiver
VOLT5CHARGER	VOLT Q5E 26.2 VDC Charger + IEC Power Cable
VOLT/3MDLC	VOLT Series 9.8 ft. (3m) 3pin Male IP to 3pin Female IP DATA LINK Cable
VOLT/DIAC	VOLT Series 9.8 ft. (3m) 3pin IP Female to 3pin DMX Male DATA INPUT Cable
	Additional Cable Lengths Available



FCC STATEMENT

This device complies with Part 15 of the FCC Rules. Operation is subject to the following two conditions: (1) this device may not cause harmful interference, and (2) this device must accept any interference received, including interference that may cause undesired operation.

FCC RADIO FREQUENCY INTERFERENCE WARNINGS & INSTRUCTIONS

This product has been tested and found to comply with the limits as per Part 15 of the FCC Rules. These limits are designed to provide reasonable protection against harmful interference in a residential installation. This device uses and can radiate radio frequency energy and, if not installed and used in accordance with the included instructions, may cause harmful interference to radio communications. However, there is no guarantee that interference will not occur in a particular installation. If this device does cause harmful interference to radio or television reception, which can be determined by turning the device off and on, the user is encouraged to try to correct the interference by one or more of the following methods:

- Reorient or relocate the device.
- Increase the separation between the device and the receiver.
- Connect the device to an electrical outlet on a circuit different from which the radio receiver is connected.
- Consult the dealer or an experienced radio/TV technician for help.

Energy Saving Matters (EuP 2009/125/EC)

Saving electric energy is a key to help protecting the environment. Please turn off all electrical products when they are not in use. To avoid power consumption in idle mode, disconnect all electrical equipment from power when not in use. Thank you!

