

**CHORUS LINE 16™**  
user manual

©2020 ELATION PROFESSIONAL all rights reserved. Information, specifications, diagrams, images, and instructions herein are subject to change without notice. ELATION PROFESSIONAL logo and identifying product names and numbers herein are trademarks of ELATION PROFESSIONAL. Copyright protection claimed includes all forms and matters of copyrightable materials and information now allowed by statutory or judicial law or hereinafter granted. Product names used in this document may be trademarks or registered trademarks of their respective companies and are hereby acknowledged. All non-ELATION brands and product names are trademarks or registered trademarks of their respective companies.

**ELATION PROFESSIONAL** and all affiliated companies hereby disclaim any and all liabilities for property, equipment, building, and electrical damages, injuries to any persons, and direct or indirect economic loss associated with the use or reliance of any information contained within this document, and/or as a result of the improper, unsafe, insufficient and negligent assembly, installation, rigging, and operation of this product.

**Elation Professional USA** | 6122 S. Eastern Ave. | Los Angeles, CA. 90040

323-582-3322 | 323-832-9142 fax | [www.elationlighting.com](http://www.elationlighting.com) | [info@elationlighting.com](mailto:info@elationlighting.com)

**Elation Professional B.V.** | Junostraat 2 | 6468 EW Kerkrade, The Netherlands

+31 45 546 85 66 | +31 45 546 85 96 fax | [www.elationlighting.eu](http://www.elationlighting.eu) | [info@elationlighting.eu](mailto:info@elationlighting.eu)

**Elation Professional Mexico** | AV Santa Ana 30 | Parque Industrial Lerma, Lerma, Mexico 52000

+52 (728) 282-7070

## DOCUMENT VERSION



Due to additional product features and/or enhancements, an updated version of this document may be available online. Please scan the QR Code with your mobile device or visit [www.elationlighting.com](http://www.elationlighting.com) for the latest revision/update of this manual, before beginning installation and/or programming.

Date	Document Version	Software Version ≥	DMX Channel Modes	Notes
10/19/17	1	1.02	16 / 18 / 78	Initial release.
01/26/18	1.2	1.03	NO CHANGE	Added sACN, Pixel Flip, Art-Net/Kling-Net dual control.
07/25/18	1.4	1.08	NO CHANGE	Updated manual format.
06/18/20	1.6	1.08	NO CHANGE	Updated thermal & included items
10/15/20	1.8	N/C	NO CHANGE	Updated specifications
05/24/21	2.0	1.09	NO CHANGE	Updated Software
10/26/21	2.2	1.12	NO CHANGE	Updated Software

# CONTENTS

General Information	4
Limited Warranty (USA Only)	5
Safety Guidelines	6
Maintenance Guidelines	8
Fixture Overview	9
Installation Guidelines	10
System Menu	13
DMX Channel Functions and Values	15
Color Macro Chart	20
Pixel Control	21
Technical Specifications	22
Optional Accessories	25

# GENERAL INFORMATION

## INTRODUCTION

This fixture has been designed to perform reliably for years when the information in this manual are followed. Please read and understand all the instructions and guidelines carefully and thoroughly before operating this unit. This manual contains important information regarding safety, installation, use, and maintenance.

## UNPACKING

Each fixture has been thoroughly tested and shipped in perfect operating condition. Carefully check the outer shipping carton for signs of any damage that may have occurred during shipping. If the outer carton appears to be damaged, carefully inspect the fixture for damage and be sure all included accessories have arrived intact. In the event damage has been found and/or parts are missing, please contact our customer support team for further instructions. Please do NOT return this fixture to your dealer without first contacting customer support at the number listed below. Please do NOT discard the outer shipping carton in the trash. Please recycle whenever possible.

## CUSTOMER SUPPORT

Elation Professional provides a customer support line to provide set up help and answer any set up or operation questions. You may also visit us on the web at [www.elationlighting.com](http://www.elationlighting.com) for any comments or suggestions. For service-related issue please contact Elation Professional.

### **ELATION SERVICE USA - Monday - Friday 8:00am to 5:00pm PST**

**Voice: 323-582-3322**

**Fax: 323-832-9142**

E-mail: [support@elationlighting.com](mailto:support@elationlighting.com)

### **ELATION SERVICE EUROPE - Monday - Friday 08:30 to 17:00 CET**

**Voice: +31 45 546 85 30**

**Fax: +31 45 546 85 96**

E-mail: [support@elationlighting.eu](mailto:support@elationlighting.eu)

## WARRANTY REGISTRATION / RETURNS

Please register online: <http://www.elationlighting.com/Login.aspx> to validate your purchase. All returned service items whether under warranty or not, must be freight pre-paid and accompany a return authorization (R.A.) number. The R.A. number must be clearly written on the outside of the return package. A brief description of the problem as well as the R.A. number must also be written down on a piece of paper and included in the shipping container. If the unit is under warranty, you must provide a copy of your proof of purchase invoice. Items returned without a R.A. number clearly marked on the outside of the package will be refused and returned at customer's expense. You may obtain a R.A. number by contacting customer support.

## **LIMITED WARRANTY (USA ONLY)**

- A. Elation Professional hereby warrants, to the original purchaser, Elation Professional products to be free of manufacturing defects in material and workmanship for a period of two years (730 days), and Elation Professional product rechargeable batteries to be free of manufacturing defects in material and workmanship for a period of six months (180 days), from the original date of purchase. This warranty excludes discharge lamps and all product accessories. This warranty shall be valid only if the product is purchased within the United States of America, including possessions and territories. It is the owner's responsibility to establish the date and place of purchase by acceptable evidence, at the time service is sought.
- B. For warranty service, send the product only to the Elation Professional factory. All shipping charges must be pre-paid. If the requested repairs or service (including parts replacement) are within the terms of this warranty, Elation Professional will pay return shipping charges only to a designated point within the United States. If any product is sent, it must be shipped in its original package and packaging material. No accessories should be shipped with the product. If any accessories are shipped with the product, Elation Professional shall have no liability whatsoever for loss and/or or damage to any such accessories, nor for the safe return thereof.
- C. This warranty is void if the product serial number and/or labels are altered or removed; if the product is modified in any manner which Elation Professional concludes, after inspection, affects the reliability of the product; if the product has been repaired or serviced by anyone other than the Elation Professional factory unless prior written authorization was issued to purchaser by Elation Professional; if the product is damaged because not properly maintained as set forth in the product instructions, guidelines and/or user manual.
- D. This is not a service contract, and this warranty does not include any maintenance, cleaning, or periodic check-up. During the periods as specified above, Elation Professional will replace defective parts at its expense, and will absorb all expenses for warranty service and repair labor by reason of defects in material or workmanship. The sole responsibility of Elation Professional under this warranty shall be limited to the repair of the product, or replacement thereof, including parts, at the sole discretion of Elation Professional. All products covered by this warranty were manufactured after January 1, 1990, and bare identifying marks to that effect.
- E. Elation Professional reserves the right to make changes in design and/or performance improvements upon its products without any obligation to include these changes in any products theretofore manufactured.
- F. No warranty, whether expressed or implied, is given or made with respect to any accessory supplied with the products described above. Except to the extent prohibited by applicable law, all implied warranties made by Elation Professional in connection with this product, including warranties of merchantability or fitness, are limited in duration to the warranty periods set forth above. And no warranties, whether expressed or implied, including warranties of merchantability or fitness, shall apply to this product after said periods have expired. The consumer's and/or dealer's sole remedy shall be such repair or replacement as is expressly provided above; and under no circumstances shall Elation Professional be liable for any loss and/or damage, direct and/or consequential, arising out of the use of, and/or the inability to use, this product.
- G. This warranty is the only written warranty applicable to Elation Professional products and supersedes all prior warranties and written descriptions of warranty terms and conditions heretofore published.

# SAFETY GUIDELINES

This fixture is a sophisticated piece of electronic equipment. To guarantee a smooth operation, it is important to follow all instructions and guidelines in this manual. Elation Professional is not responsible for injury and/or damages resulting from the misuse of this fixture due to the disregard of the information printed in this manual. Only qualified and/or certified personnel should perform installation of this fixture and only the original rigging parts (omega brackets) included with this fixture should be used for installation. Any modifications to the fixture and/or the included mounting hardware will void the original manufactures warranty and increase the risk of damage and/or personal injury.



**PROTECTION CLASS 1 - FIXTURE MUST BE PROPERLY GROUNDED**



**THERE ARE NO USER SERVICEABLE PARTS INSIDE THIS UNIT.  
DO NOT ATTEMPT ANY REPAIRS YOURSELF; DOING SO WILL VOID YOUR  
MANUFACTURES WARRANTY. DAMAGES RESULTING FROM MODIFICATIONS TO  
THIS FIXTURE AND/OR THE DISREGARD OF SAFETY INSTRUCTIONS AND  
GUIDELINES IN THIS MANUAL VOID THE MANUFACTURES WARRANTY AND ARE  
NOT SUBJECT TO ANY WARRANTY CLAIMS AND/OR REPAIRS.**



**DO NOT PLUG FIXTURE INTO A DIMMER PACK!  
NEVER OPEN THIS FIXTURE WHILE IN USE!  
UNPLUG POWER BEFORE SERVICING FIXTURE!  
NEVER TOUCH FIXTURE DURING OPERATION, AS IT MAY BE HOT!  
KEEP FLAMMABLE MATERIALS AWAY FROM FIXTURE!**



**NEVER LOOK DIRECTLY INTO THE LIGHT SOURCE!  
RETINA INJURY RISK - MAY INDUCE BLINDNESS!  
SENSITIVE PERSONS MAY SUFFER AN EPILEPTIC SHOCK!**



**INDOOR / DRY LOCATIONS USE ONLY!  
DO NOT EXPOSE FIXTURE TO RAIN AND/OR MOISTURE!**

# SAFETY GUIDELINES

**DO NOT TOUCH** the fixture housing during operation. Turn OFF the power and allow approximately 15 minutes for the fixture to cool down before serving.

**DO NOT** shake fixture, avoid brute force when installing and/or operating fixture.

**DO NOT** operate fixture if the power cord is frayed, crimped, damaged and/or if any of the power cord connectors are damaged and do not insert into the fixture securely with ease. **NEVER** force a power cord connector into the fixture. If the power cord or any of its connectors are damaged, replace it immediately with a new one of similar power rating.

**DO NOT** block any air ventilation slots.

All fan and air inlets must remain clean and never blocked.

Allow approx. 6" (15cm) between fixture and other devices or a wall for proper cooling.

When installing fixture in a suspended environment, always use mounting hardware that is no less than M10 x 25 mm, and always install fixture with an appropriately rated safety cable.

Always disconnect fixture from main power source before performing any type of service and/or cleaning procedure. Only handle the power cord by the plug end, never pull out the plug by tugging the wire portion of the cord.

During the initial operation of this fixture, a light smoke or smell may emit from the interior of the fixture. This is a normal process and is caused by excess paint in the interior of the casing burning off from the heat associated with the lamp and will decrease gradually over time.

Consistent operational breaks will ensure fixture will function properly for many years.

**ONLY** use the original packaging and materials to transport the fixture in for service.

# MAINTENANCE GUIDELINES



**DISCONNECT POWER BEFORE PERFORMING ANY MAINTENANCE!**

## CLEANING

Frequent cleaning is recommended to insure proper function, optimized light output, and an extended life. The frequency of cleaning depends on the environment in which the fixture operates: damp, smoky or particularly dirty environments can cause greater accumulation of dirt on the fixture's optics. Clean the external lens surface at least every 20 days with a soft cloth to avoid dirt/debris accumulation.

**NEVER** use alcohol, solvents, or ammonia-based cleaners.

## MAINTENANCE

Regular inspections are recommended to insure proper function and extended life.

There are no user serviceable parts inside this fixture, please refer all other service issues to an authorized Elation service technician. Should you need any spare parts, please order genuine parts from your local Elation dealer.

Please refer to the following points during routine inspections:

A detailed review by an approved electrical engineer every three months, to make sure the circuit contacts are in good condition and prevent overheating.

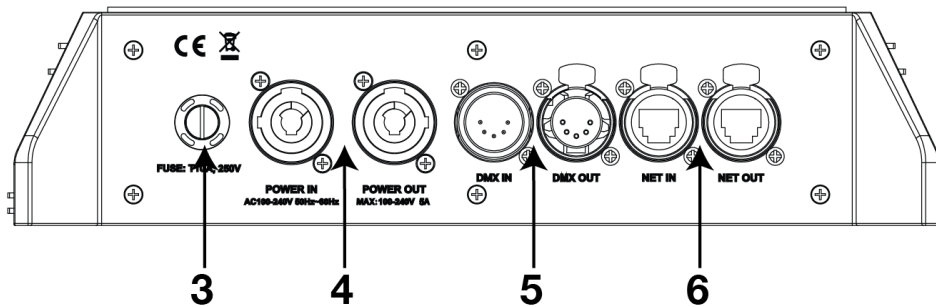
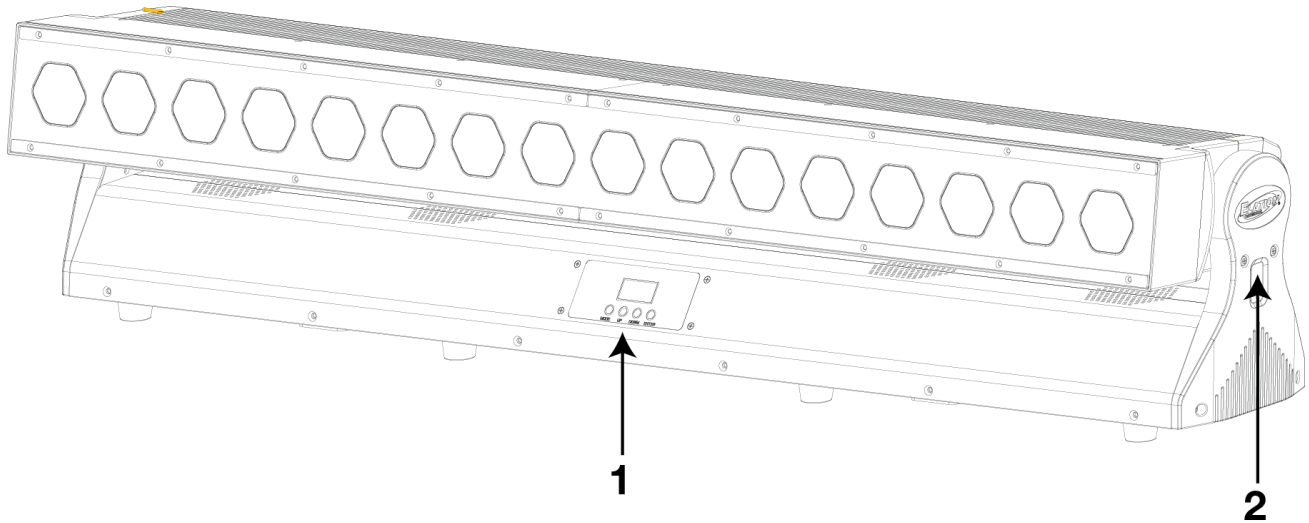
Be sure all screws and fasteners are securely tightened at all times. Loose screws may fall out during normal operation resulting in damage or injury as larger parts could fall.

Check for any deformations on the housing, color lenses, rigging hardware and rigging points (ceiling, suspension, trussing). Deformations in the housing could allow for dust to enter into the fixture. Damaged rigging points or unsecured rigging could cause the fixture to fall and seriously injure a person(s).

Electric power supply cables must not show any damage, material fatigue or sediments. **NEVER** remove the ground prong from the power cable.



# FIXTURE OVERVIEW



1. LCD Menu Display, MENU, UP, DOWN, ENTER Buttons
2. Tilt Lock
3. Fuse
4. Power IN/OUT
5. 5pin DMX IN/OUT
6. RJ45 Ethernet IN/OUT

## INCLUDED ITEMS

- (2) Replacement Lens Covers
- (2) Omega Brackets
- (1) Power Cable

# INSTALLATION INSTRUCTIONS



## **FLAMMABLE MATERIAL WARNING**

Keep fixture minimum 5.0 feet (1.5m) away from flammable materials and/or pyrotechnics.



## **ELECTRICAL CONNECTIONS**

A qualified electrician should be used for all electrical connections and/or installations.



**USE CAUTION WHEN POWER LINKING OTHER MODEL FIXTURES AS THE POWER CONSUMPTION OF OTHER MODEL FIXTURES MAY EXCEED THE MAX POWER OUTPUT ON THIS FIXTURE. CHECK SILK SCREEN FOR MAX AMPS.**



**DO NOT INSTALL THE FIXTURE IF YOU ARE NOT QUALIFIED TO DO SO!**

Fixture **MUST** be installed following all local, national, and country commercial electrical and construction codes and regulations.

Before rigging/mounting a single fixture or multiple interconnected fixtures for custom matrix designs to any metal truss/structure or placing the fixture(s) on any surface, a professional equipment installer **MUST** be consulted to determine if the metal truss/structure or surface is properly certified to safely hold the combined weight of the fixture(s), clamps, cables, and accessories.

Fixture ambient operating temperature range is **15° to 113°F. (-15° to 45°C)**  
Do not use the fixture under or above this temperature.

Fixture(s) should be installed in areas outside walking paths, seating areas, or away from areas where unauthorized personnel might reach the fixture by hand.

**NEVER** stand directly below the fixture(s) when rigging, removing or servicing.  
Overhead fixture installation must always be secured with a secondary safety attachment, such as an appropriately rated safety cable that can hold 10 times the weight of the fixture.

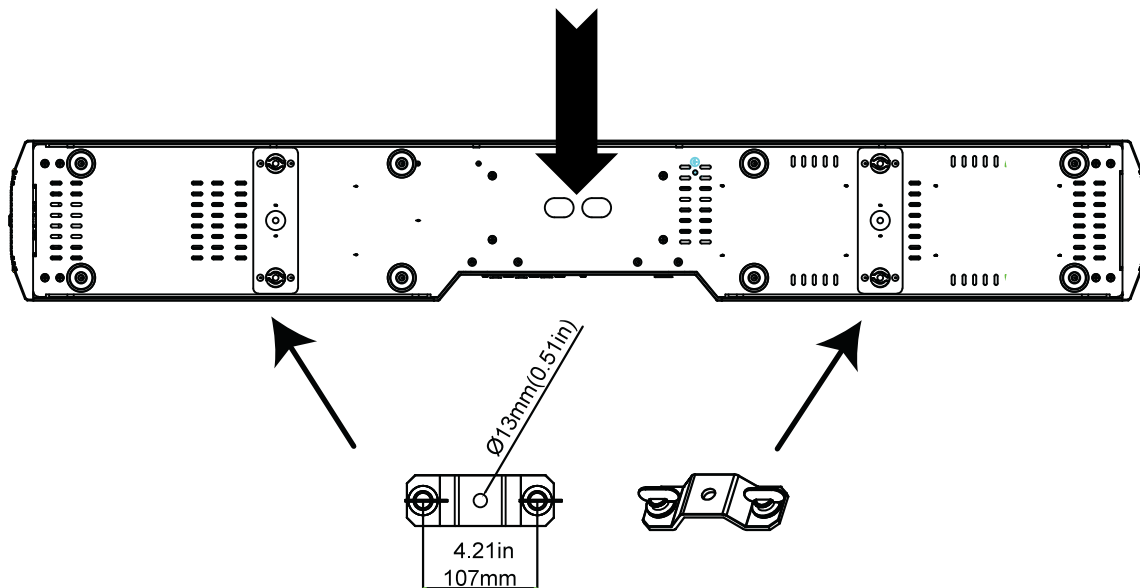
Allow approximately 15 minutes for the fixture to cool down before serving.

# INSTALLATION INSTRUCTIONS

## CLAMP MOUNTING

The fixture can be placed on the flat surface or truss mounted. When mounting this fixture to truss be sure to secure (2) appropriately rated clamps (not included) to the **(2) Omega Brackets (included)** Be sure to attach the **Safety Cable (included)** to the fixture using the safety cable rigging points integrated into the bottom of the fixture. (See image below)

### SAFETY CABLE RIGGING POINT



## SAFETY CABLE

The fixture includes an integrated safety cable rigging point. (see image below)

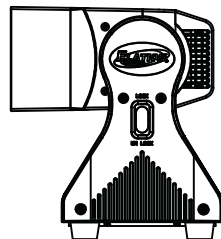
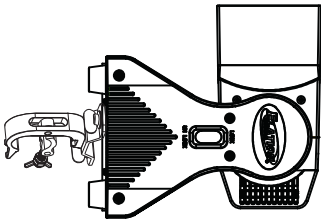
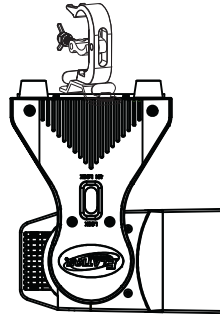


**ALWAYS ATTACH A SAFETY CABLE WHEN INSTALLING FIXTURE IN A SUSPENDED**

# INSTALLATION INSTRUCTIONS

## OVERHEAD RIGGING

Overhead rigging requires extensive experience, including amongst others calculating working load limits, installation material being used, and periodic safety inspection of all installation material and the fixture. If you lack these qualifications, do not attempt the installation yourself. Improper installation can result in bodily injury and property damage. Fixture is fully operational in the specific mounting positions illustrated below.



## POWER LINKING



**USE CAUTION WHEN POWER LINKING OTHER MODEL FIXTURES AS THE POWER CONSUMPTION OF OTHER MODEL FIXTURES MAY EXCEED THE MAX POWER OUTPUT ON THIS FIXTURE. CHECK SILK SCREEN FOR AMX AMPS.**

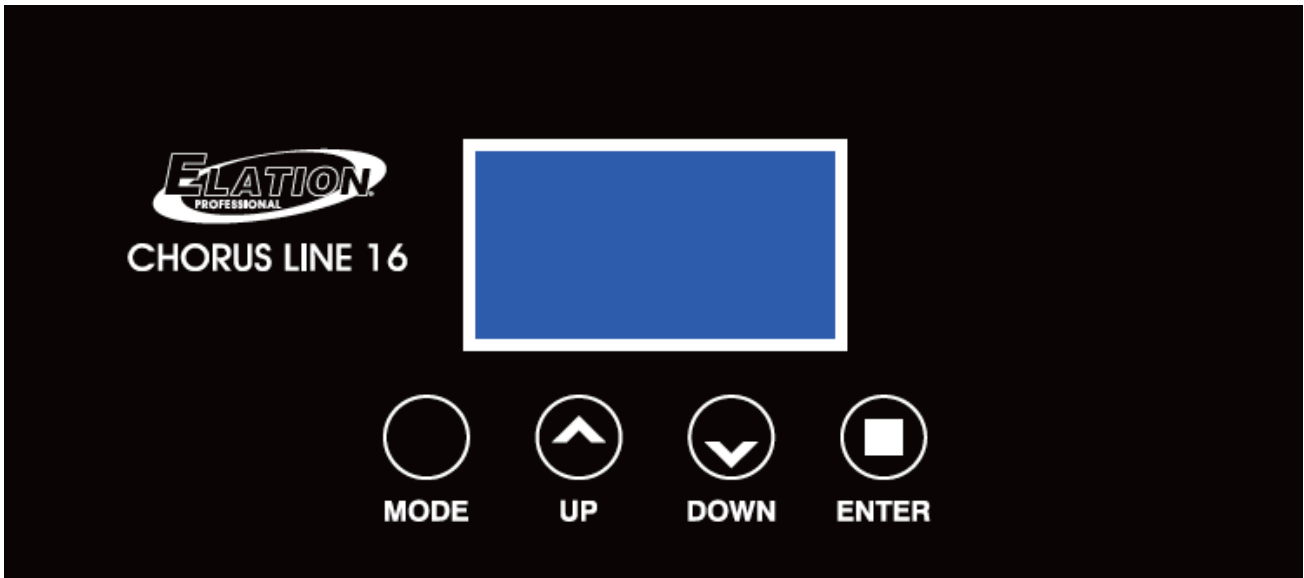
## KLING-NET / ART-NET CONNECTION

When connecting fixture to a network switch to control multiple devices, a **Gigabit Ethernet Switch** that supports **IGMP (Internet Group Management Protocol)** is required. Using a **Gigabit Ethernet Switch** that does not support **IGMP** can cause erratic behavior of all connected devices to the switch. Click link below for more information about IGMP.

[https://en.wikipedia.org/wiki/Internet\\_Group\\_Management\\_Protocol](https://en.wikipedia.org/wiki/Internet_Group_Management_Protocol)

# SYSTEM MENU

The fixture comes with an easy to navigate system menu. The control panel (see image below) located on the back of the fixture provides access to the main system menu and is where all necessary system adjustments are made to the fixture. During normal operation, pressing **MODE** button once will access the fixture's main menu. Once in the main menu you can navigate through the different functions and access the sub-menus with the **UP** and **DOWN** buttons. Once you reach a field that requires adjusting, press the **ENTER** button to activate that field and use the **UP** and **DOWN** buttons to adjust the field. Pressing the **ENTER** button once more will confirm your setting. You may exit the main menu at any time without making any adjustments by pressing the **MODE/ESC** button.

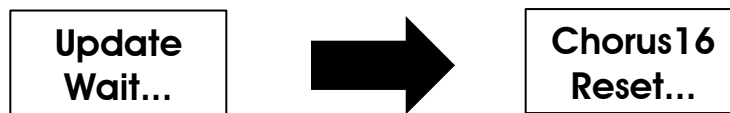


## LCD CONTROL PANEL LOCKOUT

When the **Key Lock** menu is set to **ON**, the LCD display will turn OFF after 30 seconds and the (4) button Control Panel will be LOCKED. To unlock the (4) button LCD control panel, press and hold the **MODE** button.

## INFORMATION DISPLAYED DURING INITIAL POWER ON

When the fixture is initially powered ON, the display shows the following information:



## SYSTEM MENU

Supports Software Version:  $\geq$  V1.12

Features are subject to change without any prior written notice.

MAIN MENU	SUB MENU	OPTIONS / VALUES (Default Settings in <b>BOLD</b> )		DESCRIPTION	
Address	Set DMX Address	001 ~ XXX		DMX Address Setting	
UserMode	<b>Standard</b>	18CH (16bit)		Set DMX Channel Mode	
	Basic	16CH (8bit)			
	Extend	78CH			
Function	Status	Lost DMX	Close/ <b>Hold</b> /Auto. Pro	Function If NO DMX Detected	
		Tilt. Inv	ON / <b>OFF</b>	Tilt Reverse Movement	
		Feedback	<b>ON</b> /OFF	Movement Feedback	
		Move. Spd	Speed <b>1</b> ~ 4	Movement Mode Select	
		Hibernat	OFF, 01M~99M, <b>15M</b>	Hibernate Mode	
	Fan. Set*	Head Fan	<b>Auto</b> , High, Silent*	Fan Speed Set	
	Net ID	Password	Password=xxx		Password= <b>050</b>
		DeviceIP	xxx.xxx.xxx.xxx		
		Mark Addr	xxx.xxx.xxx.xxx		
		Universe	000-255		
	Protocol	<b>ArtNet</b> , SACN		Set Network Protocol	
	KlingNet	<b>Enable</b> / Disable		Enable KlingNet Protocol	
	Net	<b>ON</b> / OFF		Activate NET OUT Port.	
	LCD. Set	Backlight	02~60m <b>05m</b>	LCD Backlight Shut Off Time	
		FlipDisplay	ON / <b>OFF</b>	Flip/Reverse LCD Display 180°	
		Key Lock	ON / <b>OFF</b>	Control Front Panel Buttons Key Lock	
		Flash	<b>ON</b> / OFF	Display flashes when NO DMX	
	Temp. C/F	<b>Fahrenheit</b> /Celsius		Temperature Switch Between F° / C°	
	Disp. Set	ADDR	TILT...		Value of each Channel Displayed
		Disp. CH			
		Secondary	<b>Secondary 1</b> , Secondary 2, Secondary 3		Set Secondary Mode Preset
		Auto.Pro	<b>Alone</b> , Primary		Set Auto Program Mode
	DimCurve	<b>Standard</b> , Stage, TV, Architectural, Theatre, Stage2, 0-10s (Default 0.1s)		Set Dimmer Curve Mode	
	Frequen	900/1000/1100/ <b>1200</b> /1300/1400/1500/2500/ 4000/5000/10k/15k/20k/25k			
	Pixel	<b>Standard</b> , Flip		Set Pixel Flip Mode	
	DFSE	<b>ON</b> / <b>OFF</b>		Restore Factory Settings	
	Information	Time. Info	Current	XXXX (Hours)	Fixture Run Time From Power ON
Total			XXXX (Hours)	Fixture Total Run Time	
Last			XXXX (Hours)	Clear Fixture Last Run Time	
Password			Password= <b>050</b>	Password to clear last fixture run time	
Clear/Clear-TO		Password= <b>060</b>	Password to clear total run time		
		ON / <b>OFF</b>	Reset Fixture Last Run Time		
TemplInfo		LED Temp.	XXX <b>F°</b> / C°	Temperature in Fixture Head	
Err. Info		Tilt.....		Display 10 Recent Error Messages	
ModellInfo	Chorus Line 8		Display Model Name		
Software Version	1U01 – 5U01	$\geq$ V1.12	Software Versions		
Test	Reset. M	All			
	Test. Ch	Tilt ...			
	ManCtrl	Tilt=XXXX :			
	Calibrat	Password Tilt, Red1, Green1, Blue1, White1...Red8, Green8, Blue8, White8, Zoom1, Zoom2		Password= <b>050</b>	

\*FAN SET -> SILENT: In this mode, the power output drops from 330W to 160w, and slows both the zoom and tilt-speed.

# DMX CHANNEL FUNCTIONS AND VALUES

**Supports Software Versions:  $\geq$  V1.12**

Features are subject to change without any prior written notice.

\*Direction of effects and Pixel Control depends on orientation of the fixture head and Tilt/Pixel Flip settings.

MODE / CHANNEL			VALUE	FUNCTION	DEFAULT	SNAP
BASIC CH: 16	STANDARD CH: 18	EXTEND CH: 78				
1	1	1		TILT Movement 8bit		
			0-255	TILT Movement		
	2	2		Tilt Fine 16bit		
			0-255	Fine Control of TILT Movement		
2	3	3		Red		
			0-255	0 → 100%		
3	4	4		Green		
			0-255	0 → 100%		
4	5	5		Blue		
			0-255	0 → 100%		
5	6	6		ALL AMBR		
			0-255	0 → 100%		
		7		Red 2		
			0-255	0 → 100%		
		8		Green 2		
			0-255	0 → 100%		
		9		Blue 2		
			0-255	0 → 100%		
		10		White 2		
			0-255	0 → 100%		
		11		Red 3		
			0-255	0 → 100%		
		12		Green 3		
			0-255	0 → 100%		
		13		Blue 3		
			0-255	0 → 100%		
		14		White 3		
			0-255	0 → 100%		
		15		Red 4		
			0-255	0 → 100%		
		16		Green 4		
			0-255	0 → 100%		
		17		Blue 4		
			0-255	0 → 100%		
		18		White 4		
			0-255	0 → 100%		
		19		Red 5		
			0-255	0 → 100%		
		20		Green 5		
			0-255	0 → 100%		
		21		Blue 5		
			0-255	0 → 100%		
		22		White 5		
			0-255	0 → 100%		

**Supports Software Versions: ≥ V1.12**

Features are subject to change without any prior written notice.

\*Direction of effects and Pixel Control depends on orientation of the fixture head and Tilt/Pixel Flip settings.

MODE / CHANNEL			VALUE	FUNCTION	DEFAULT	SNAP
BASIC CH: 16	STANDARD CH: 18	EXTEND CH: 78				
		23		Red 6		
			0-255	0 → 100%		
		24		Green 6		
			0-255	0 → 100%		
		25		Blue 6		
			0-255	0 → 100%		
		26		White 6		
			0-255	0 → 100%		
		27		Red 7		
			0-255	0 → 100%		
		28		Green 7		
			0-255	0 → 100%		
		29		Blue 7		
			0-255	0 → 100%		
		30		White 7		
			0-255	0 → 100%		
		31		Red 8		
			0-255	0 → 100%		
		32		Green 8		
			0-255	0 → 100%		
		33		Blue 8		
			0-255	0 → 100%		
		34		White 8		
			0-255	0 → 100%		
		35		Red 9		
			0-255	0 → 100%		
		36		Green 9		
			0-255	0 → 100%		
		37		Blue 9		
			0-255	0 → 100%		
		38		White 9		
			0-255	0 → 100%		
		39		Red 10		
			0-255	0 → 100%		
		40		Green 10		
			0-255	0 → 100%		
		41		Blue 10		
			0-255	0 → 100%		
		42		White 10		
			0-255	0 → 100%		



**Supports Software Versions: ≥ V1.12**

Features are subject to change without any prior written notice.

\*Direction of effects and Pixel Control depends on orientation of the fixture head and Tilt/Pixel Flip settings.

MODE / CHANNEL			VALUE	FUNCTION	DEFAULT	SNAP
BASIC CH: 16	STANDARD CH: 18	EXTEND CH: 78				
		43		Red 11		
			0 - 255	0 → 100%		
		44		Green 11		
			0 - 255	0 → 100%		
		45		Blue 11		
			0 - 255	0 → 100%		
		46		White 11		
			0 - 255	0 → 100%		
		47		Red 12		
			0 - 255	0 → 100%		
		48		Green 12		
			0 - 255	0 → 100%		
		49		Blue 12		
			0 - 255	0 → 100%		
		50		White 12		
			0 - 255			
		51		Red 13		
			0 - 255	0 → 100%		
		52		Green 13		
			0 - 255	0 → 100%		
		53		Blue 13		
			0 - 255	0 → 100%		
		54		White 13		
			0 - 255	0 → 100%		
		55		Red 14		
			0 - 255	0 → 100%		
		56		Green 14		
			0 - 255	0 → 100%		
		57		Blue 14		
			0 - 255	0 → 100%		
		58		White 14		
			0 - 255	0 → 100%		
		59		Red 15		
			0 - 255	0 → 100%		
		60		Green 15		
			0 - 255	0 → 100%		
		61		Blue 15		
			0 - 255	0 → 100%		
		62		White 15		
			0 - 255	0 → 100%		

**Supports Software Versions: ≥ V1.12**

Features are subject to change without any prior written notice.

\*Direction of effects and Pixel Control depends on orientation of the fixture head and Tilt/Pixel Flip settings.

MODE / CHANNEL			VALUE	FUNCTION	DEFAULT	SNAP
BASIC CH: 16	STANDARD CH: 18	EXTEND CH: 78				
		63		Red 16		
			0-255	0 → 100%		
		64		Green 16		
			0-255	0 → 100%		
		65		Blue 16		
			0-255	0 → 100%		
		66		White 16		
			0-255	0 → 100%		
	7	67		CTO		
			0-23	Open		
			24-255	CTO 2700K – 7000K		
6	8	68		Color Macros		
			0-255	See Macro Chart		
7	9	69		Strobe		
			0 - 31	Closed		
			32 - 63	Open		
			64 - 95	Strobe (slow → fast)		
			96 - 127	Open		
			129-159	Pulse (slow → fast)		
			160 - 191	Open		
			192 - 223	Random (slow → fast)		
			224 - 255	Open		
8	10	70		Master Intensity		
			0 - 255	Close → Open		
9	11	71		Master Intensity Fine		
			0 - 255	Close → Open		
10	12	72		Zoom		
			0-255	Zoom Min to Max		
11	13	73		Auto Programs		
			0	Idle		
			1-14	Off		
			15-30	Program 1		
			31-46	Program 2		
			47-62	Program 3		
			63-78	Program 4		
			79-94	Program 5		
			95-110	Program 6		
			111-126	Program 7		
			127-142	Program 8		
			143-158	Program 9		
			159-174	Program 10		
			175-190	Program 11		
			191-206	Program 12		
			207-222	Program 13		
			223-238	Program 14		
			293-255	Program 15		

**Supports Software Versions: ≥ V1.12**

Features are subject to change without any prior written notice.

\*Direction of effects and Pixel Control depends on orientation of the fixture head and Tilt/Pixel Flip settings.

MODE / CHANNEL			VALUE	FUNCTION	DEFAULT	SNAP
BASIC CH: 16	STANDARD CH: 18	EXTEND CH: 78				
12	14	74		<b>Program Speed</b>	128	
			0 - 255	Speed (slow → fast)		
13	15	75		<b>Program Fade</b>	128	
			0 - 255	Fade (slow → fast)		
14	16	76		<b>Dim Modes</b>	0	X
			0 - 20	Standard		
			21 - 40	Stage		
			41 - 60	TV		
			61 - 80	Archictural		
			81 - 100	Theatre		
			101 - 120	Stage 2		
				<b>Dimmer Delay Time</b>		
			121	0s		
			122	0.1s (default)		
			123	0.2s		
			124	0.3s		
			125	0.4s		
			126	0.5s		
			127	0.6s		
			128	0.7s		
			129	0.8s		
			130	0.9s		
			131	1.0s		
			132	1.5s		
			133	2.0s		
			134	3.0s		
			135	4.0s		
			136	5.0s		
			137	6.0s		
			138	7.0s		
139	8.0s					
140	9.0s					
141	10s					
142 - 255	Default					
15	17	77		<b>Pan / Tilt Speed</b>		
			0-225	Max to min speed		
			226-235	Blackout by movement		
			236-255	No function		

**Supports Software Versions: ≥ V1.12**

Features are subject to change without any prior written notice.

\*Direction of effects and Pixel Control depends on orientation of the fixture head and Tilt/Pixel Flip settings.

MODE / CHANNEL			VALUE	FUNCTION	DEFAULT	SNAP
BASIC CH: 16	STANDARD CH: 18	EXTEND CH: 78				
6	18	78		<b>Control</b>	0	X
			0 -5	Idle		
			6-10	Reset		
			11-15	Fan Mode Auto		
			16-20	Fan Mode High		
			21-25	Fan Mode Silent		
			25-29	Program 1		
			30-34	Program 2		
			35-39	Program 3		
			40-44	Program 4		
			45-49	Program 5		
			50-54	Program 6		
			55-59	Program 7		
			60-64	Program 8		
			65-69	Program 9		
			70-74	Program 10		
			75-79	Program 11		
			80-100	Program 12		
				<b>Change Refresh Rate (Hz)</b>		
			101 - 105	900		
			106 - 110	1000		
			111 - 115	1100		
			116 - 120	1200		
			121 - 125	1300		
			126 - 130	1400		
			131 - 135	1500		
			136 - 140	2500		
			141 - 145	4000		
			146 - 150	5000		
			151 - 155	10000		
			156 - 160	15000		
			161 - 165	20000		
			166 - 170	25000		
			171-200	Idle		
	<b>Dimmer Curves</b>					
201-210	Dimmer Curve Linear (default)					
211-220	Dimmer Curve Square					
221-230	Dimmer Curve Inverse Square					
231-240	Dimmer Curve S-Curve					
241-255	Idle					

# COLOR MACRO CHART

<b>VALUES 1-4</b>		<b>DMX VALUES 53-56</b>		<b>DMX VALUES 105-108</b>		<b>DMX VALUES 157-160</b>		<b>DMX VALUES 209-212</b>	
Red=	80	Red=	255	Red=	255	Red=	234	Red=	0
Green=	255	Green=	93	Green=	138	Green=	139	Green=	83
Blue=	234	Blue=	182	Blue=	186	Blue=	171	Blue=	115
W=	80	W=	93	W=	138	W=	0	W=	0
<b>DMX VALUES 5-8</b>		<b>DMX VALUES 57-60</b>		<b>DMX VALUES 109-112</b>		<b>DMX VALUES 161-164</b>		<b>DMX VALUES 213-216</b>	
Red=	80	Red=	255	Red=	255	Red=	224	Red=	0
Green=	255	Green=	96	Green=	147	Green=	5	Green=	97
Blue=	164	Blue=	236	Blue=	251	Blue=	97	Blue=	166
W=	80	W=	96	W=	147	W=	0	W=	0
<b>DMX VALUES 9-12</b>		<b>DMX VALUES 61-64</b>		<b>DMX VALUES 113-116</b>		<b>DMX VALUES 165-168</b>		<b>DMX VALUES 217-220</b>	
Red=	77	Red=	238	Red=	151	Red=	175	Red=	1
Green=	255	Green=	93	Green=	138	Green=	77	Green=	100
Blue=	112	Blue=	255	Blue=	255	Blue=	173	Blue=	167
W=	77	W=	93	W=	138	W=	0	W=	0
<b>DMX VALUES 13-16</b>		<b>DMX VALUES 65-68</b>		<b>DMX VALUES 117-120</b>		<b>DMX VALUES 169-172</b>		<b>DMX VALUES 221-224</b>	
Red=	117	Red=	196	Red=	151	Red=	119	Red=	0
Green=	255	Green=	87	Green=	138	Green=	130	Green=	40
Blue=	83	Blue=	255	Blue=	255	Blue=	199	Blue=	86
W=	83	W=	87	W=	138	W=	0	W=	0
<b>DMX VALUES 17-20</b>		<b>DMX VALUES 69-72</b>		<b>DMX VALUES 121-124</b>		<b>DMX VALUES 173-176</b>		<b>DMX VALUES 225-228</b>	
Red=	160	Red=	150	Red=	138	Red=	147	Red=	209
Green=	255	Green=	90	Green=	169	Green=	164	Green=	219
Blue=	77	Blue=	255	Blue=	255	Blue=	212	Blue=	182
W=	77	W=	90	W=	138	W=	0	W=	0
<b>DMX VALUES 21-24</b>		<b>DMX VALUES 73-76</b>		<b>DMX VALUES 125-128</b>		<b>DMX VALUES 177-180</b>		<b>DMX VALUES 229-232</b>	
Red=	223	Red=	100	Red=	255	Red=	88	Red=	42
Green=	255	Green=	77	Green=	255	Green=	2	Green=	165
Blue=	83	Blue=	255	Blue=	255	Blue=	163	Blue=	85
W=	83	W=	77	W=	255	W=	0	W=	0
<b>DMX VALUES 25-28</b>		<b>DMX VALUES 77-80</b>		<b>DMX VALUES 129-132</b>		<b>DMX VALUES 181-184</b>		<b>DMX VALUES 233-236</b>	
Red=	255	Red=	77	Red=	255	Red=	0	Red=	0
Green=	243	Green=	100	Green=	206	Green=	38	Green=	46
Blue=	77	Blue=	255	Blue=	143	Blue=	86	Blue=	35
W=	77	W=	77	W=	0	W=	0	W=	0
<b>DMX VALUES 29-32</b>		<b>DMX VALUES 81-84</b>		<b>DMX VALUES 133-136</b>		<b>DMX VALUES 185-188</b>		<b>DMX VALUES 237-240</b>	
Red=	255	Red=	67	Red=	254	Red=	0	Red=	8
Green=	200	Green=	148	Green=	177	Green=	142	Green=	107
Blue=	74	Blue=	255	Blue=	153	Blue=	208	Blue=	222
W=	74	W=	67	W=	0	W=	0	W=	0
<b>DMX VALUES 33-36</b>		<b>DMX VALUES 85-88</b>		<b>DMX VALUES 137-140</b>		<b>DMX VALUES 189-192</b>		<b>DMX VALUES 241-244</b>	
Red=	255	Red=	77	Red=	254	Red=	52	Red=	107
Green=	166	Green=	195	Green=	192	Green=	148	Green=	156
Blue=	77	Blue=	255	Blue=	138	Blue=	209	Blue=	231
W=	77	W=	77	W=	0	W=	0	W=	0
<b>DMX VALUES 37-40</b>		<b>DMX VALUES 89-92</b>		<b>DMX VALUES 141-144</b>		<b>DMX VALUES 193-196</b>		<b>DMX VALUES 245-248</b>	
Red=	255	Red=	77	Red=	254	Red=	1	Red=	165
Green=	125	Green=	234	Green=	165	Green=	134	Green=	198
Blue=	74	Blue=	255	Blue=	98	Blue=	201	Blue=	247
W=	74	W=	77	W=	0	W=	0	W=	0
<b>DMX VALUES 41-44</b>		<b>DMX VALUES 93-96</b>		<b>DMX VALUES 145-148</b>		<b>DMX VALUES 197-200</b>		<b>DMX VALUES 249-252</b>	
Red=	255	Red=	158	Red=	254	Red=	0	Red=	0
Green=	97	Green=	255	Green=	121	Green=	145	Green=	0
Blue=	77	Blue=	144	Blue=	0	Blue=	212	Blue=	255
W=	74	W=	144	W=	0	W=	0	W=	0
<b>DMX VALUES 45-48</b>		<b>DMX VALUES 97-100</b>		<b>DMX VALUES 149-152</b>		<b>DMX VALUES 201-204</b>		<b>DMX VALUES 253-255</b>	
Red=	255	Red=	255	Red=	176	Red=	255	Red=	0
Green=	71	Green=	251	Green=	17	Green=	0	Green=	0
Blue=	77	Blue=	153	Blue=	0	Blue=	0	Blue=	0
W=	71	W=	153	W=	0	W=	0	W=	255
<b>DMX VALUES 49-52</b>		<b>DMX VALUES 101-104</b>		<b>DMX VALUES 153-156</b>		<b>DMX VALUES 205-208</b>			
Red=	255	Red=	255	Red=	96	Red=	0		
Green=	83	Green=	175	Green=	0	Green=	255		
Blue=	134	Blue=	147	Blue=	11	Blue=	0		
W=	83	W=	147	W=	0	W=	0		

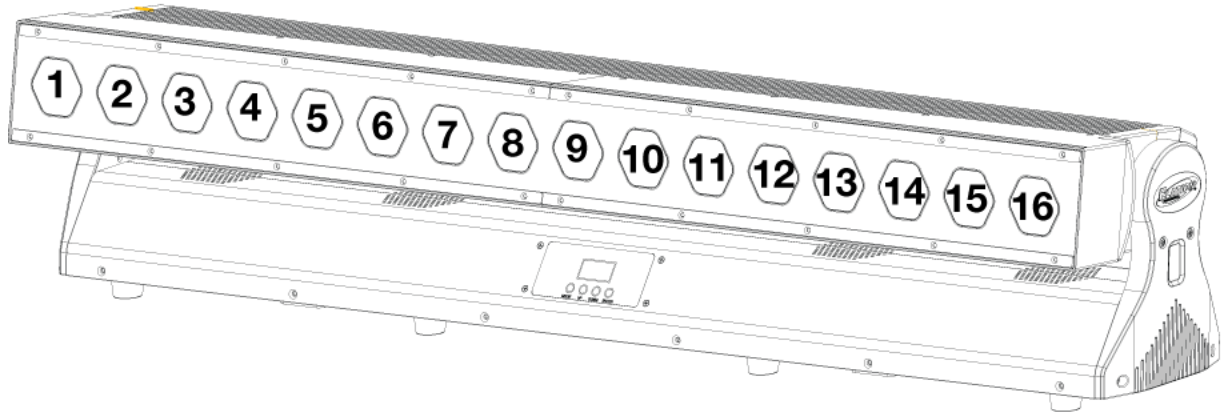
# PIXEL CONTROL

The starting pixel position can be flipped to the opposite side of the fixture by selecting FLIP mode in the FUNCTION / PIXEL sub menu from the control panel.

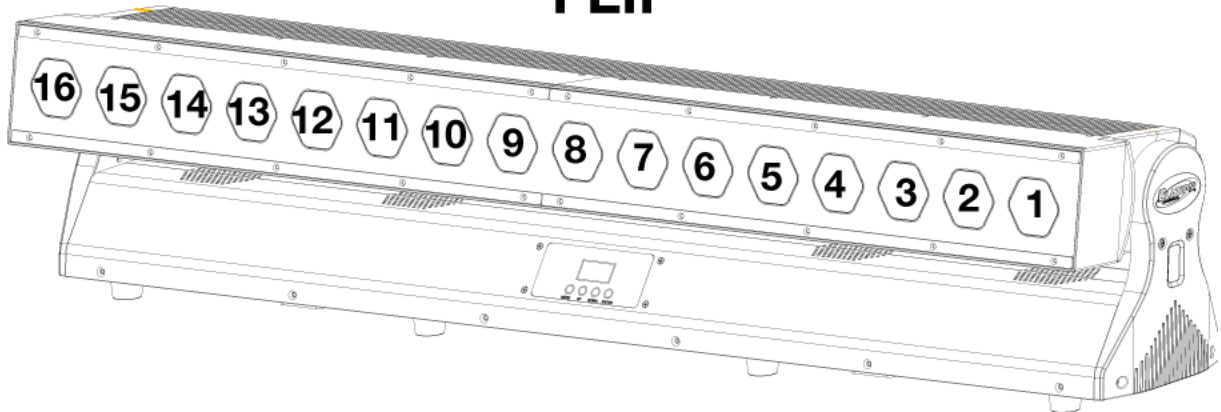
The fixture features full pixel control in Extended DMX channel mode.

Diagram below illustrates the specific pixel mapping order for both modes.

## STANDARD



## FLIP



# TECHNICAL SPECIFICATIONS

## SOURCE

(16) 40W 4-in-1 RGBW LEDs  
50,000 Hour Average LED Life\*

\*May vary depending on several factors including but not limited to: Environmental Conditions, Power/Voltage, Usage Patterns (On-Off Cycling), Control and Dimming.

## PHOTOMETRIC DATA

5,700+ Total Lumens  
20,478 LUX 1903 FC @16.4 ft (5m) (Full ON (4° Min Zoom)  
570 LUX 53 FC @16.4 ft (5m) (Full ON (37° Max Zoom)  
Zoom Range 4° - 40°  
Beam Angle 4.6° - 37.8°  
Field Angle 7.8° - 54.4°

## EFFECTS

Motorized Zoom and 220° Tilt Movement  
RGBW Color Mixing and Full Pixel Control  
2,700K - 7,000K Linear Color Temperature Range  
64 Color Presets and 14 Unique Color Macros  
Electronic Strobe, 16-bit Variable Dimming Curve Modes

## COLOR

RGBW

## CONTROL / CONNECTIONS

3 DMX Channel Modes (78 total channels)  
DMX, RDM, Kling-Net, and Art-Net Protocol Support  
Adjustable LED Refresh Rate (900-25,000 Hz)  
Adjustable LED Gamma Brightness (2.0, 2.2, 2.4, 2.8)  
4 Button Touch Control Panel  
180° Reversible LCD Menu Display  
8 / 16-Bit Resolution Zoom and Tilt Movement  
5pin DMX In/Out  
RJ45 Ethernet In/Out  
Locking Power Cable In/Out  
With Wired Digital Communication Network

## SIZE / WEIGHT

Length: 42.05" (1068mm)  
Width: 7.44" (189mm)  
Vertical Height: 11.46" (291mm)  
Weight: 47.0 lbs (21.3 kg)

## ELECTRICAL / THERMAL

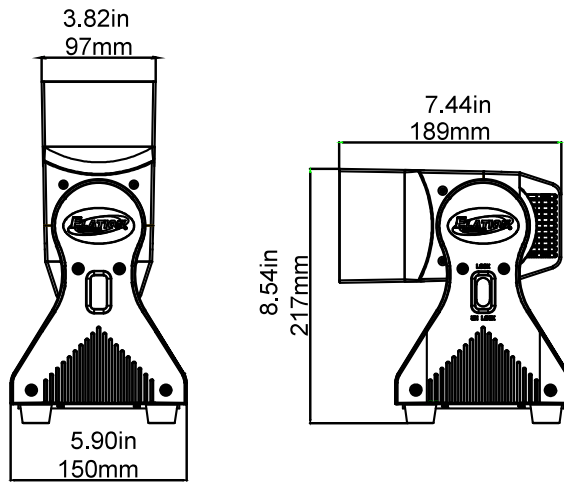
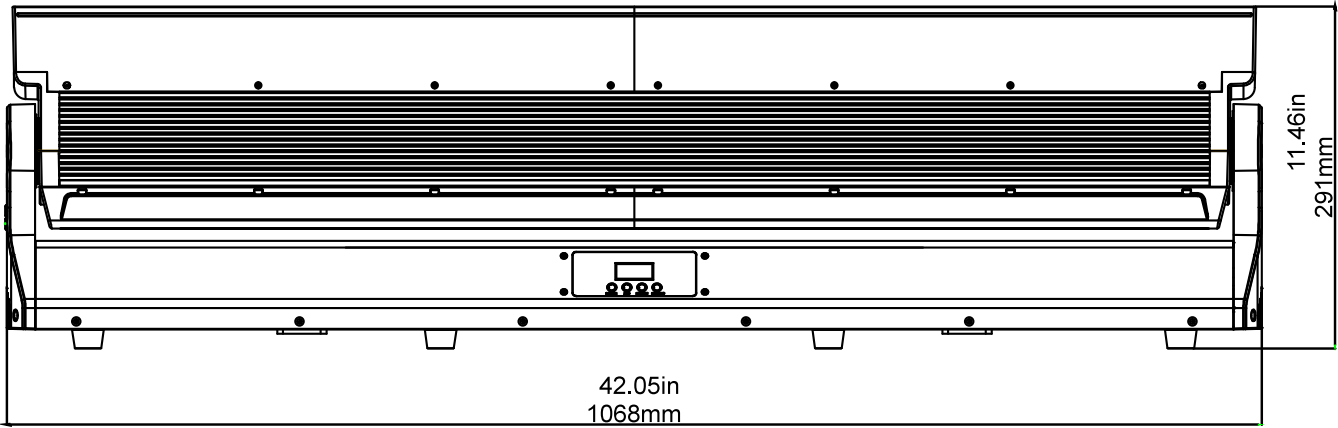
AC 100-240V - 50/60Hz  
739W Max Power Consumption  
5°F to 113°F (-15°C to 45°C)  
BTU/hr (+/- 10%) 2519.99

## APPROVALS / RATINGS



Specifications and improvements in the design of this unit and this manual are subject to change without any prior written notice.

# DIMENSIONAL DRAWINGS



Specifications and improvements in the design of this unit and this manual are subject to change without any prior written notice.



## OPTIONAL ACCESSORIES

ORDER CODE	ITEM
DRCCL16	9-Pack Road Case for Chorus Line 16
NARROW CLAMP	Heavy Duty Wrap Around Hook Style Clamp
SCABLE 60	60 lbs. Rating 24 Inch Safety Cable
AC5PDMX5PRO	5 ft. (1.5m) 5pin PRO DMX Cable
PLC3	3 ft. (1m) PRO Link Cable
	Additional Cable Lengths Available

## FCC STATEMENT

This device complies with Part 15 of the FCC Rules. Operation is subject to the following two conditions: (1) this device may not cause harmful interference, and (2) this device must accept any interference received, including interference that may cause undesired operation.

### FCC RADIO FREQUENCY INTERFERENCE WARNINGS & INSTRUCTIONS

This product has been tested and found to comply with the limits as per Part 15 of the FCC Rules. These limits are designed to provide reasonable protection against harmful interference in a residential installation. This device uses and can radiate radio frequency energy and, if not installed and used in accordance with the included instructions, may cause harmful interference to radio communications. However, there is no guarantee that interference will not occur in a particular installation. If this device does cause harmful interference to radio or television reception, which can be determined by turning the device off and on, the user is encouraged to try to correct the interference by one or more of the following methods:

- Reorient or relocate the device.
- Increase the separation between the device and the receiver.
- Connect the device to an electrical outlet on a circuit different from which the radio receiver is connected.
- Consult the dealer or an experienced radio/TV technician for help.

### Europe Energy Saving Notice

Energy Saving Matters (EuP 2009/125/EC)

Saving electric energy is a key to help protecting the environment. Please turn off all electrical products when they are not in use. To avoid power consumption in idle mode, disconnect all electrical equipment from power when not in use. Thank you



