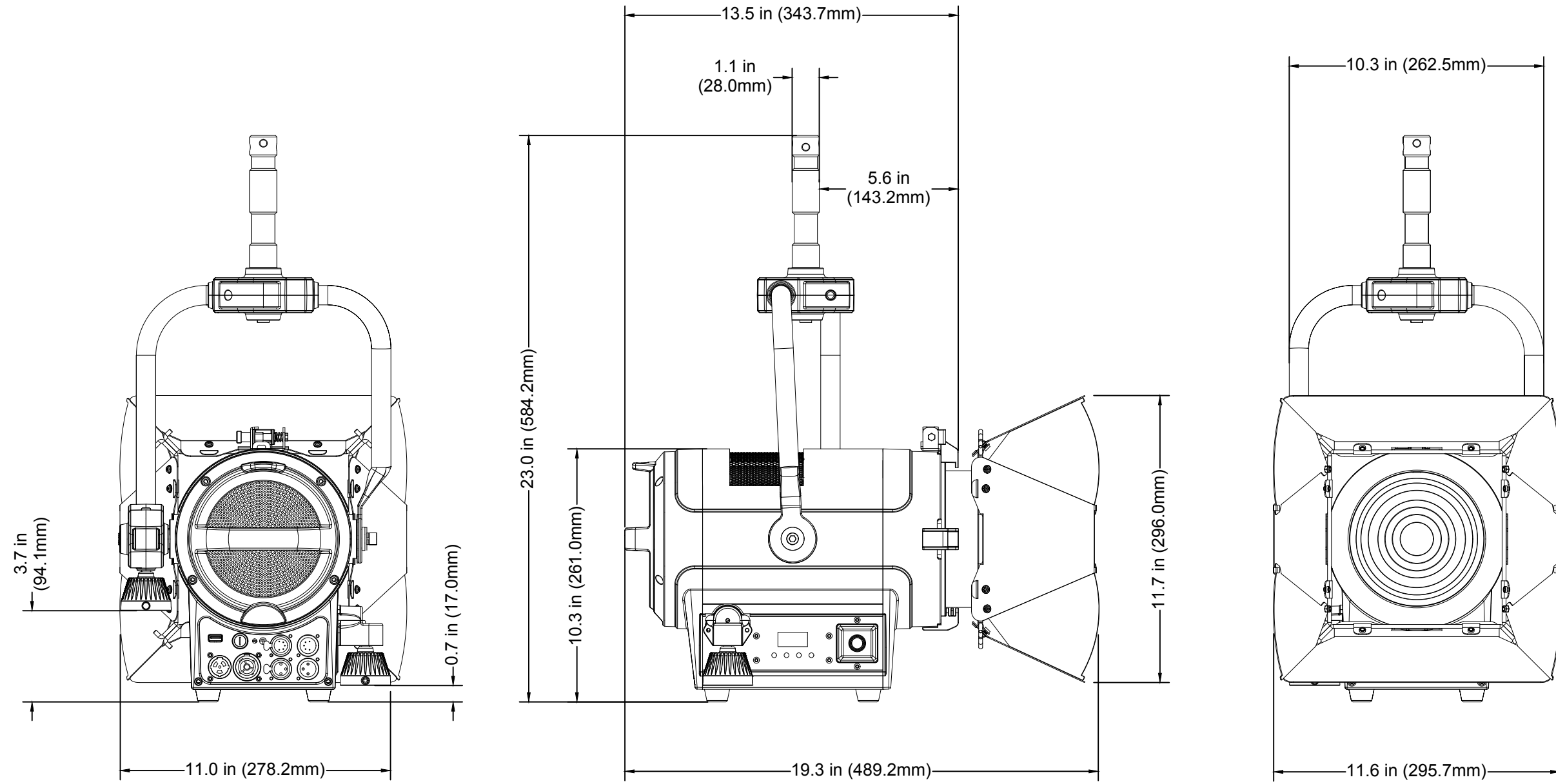


©ELATION all rights reserved. Information contained within this drawing is proprietary and confidential. Any reproduction and/or distribution of any part of this drawing without the written consent of Elation Professional is strictly prohibited. Diagrams and/or measurements herein subject to change without notice.



TITLE: <b>ELATION KL FRESNEL 6 PO</b>		DATE: <b>16-JUL-2021</b>	
SCALE: <b>NONE</b>	TOL: <b>±</b>	.XX(.X)    .XXX(.XX)	ANGLE: <b>-</b>