



KL Fresnel 6 PO

User Manual

©2021 **ELATION PROFESSIONAL** all rights reserved. Information, specifications, diagrams, images, and instructions herein are subject to change without notice. ELATION PROFESSIONAL logo and identifying product names and numbers herein are trademarks of ELATION PROFESSIONAL. Copyright protection claimed includes all forms and matters of copyrightable materials and information now allowed by statutory or judicial law or hereinafter granted. Product names used in this document may be trademarks or registered trademarks of their respective companies and are hereby acknowledged. All non-ELATION brands and product names are trademarks or registered trademarks of their respective companies.

ELATION PROFESSIONAL and all affiliated companies hereby disclaim any and all liabilities for property, equipment, building, and electrical damages, injuries to any persons, and direct or indirect economic loss associated with the use or reliance of any information contained within this document, and/or as a result of the improper, unsafe, insufficient and negligent assembly, installation, rigging, and operation of this product.

Elation Professional USA | 6122 S. Eastern Ave. | Los Angeles, CA. 90040
 323-582-3322 | 323-832-9142 fax | www.elationlighting.com | info@elationlighting.com

Elation Professional B.V. | Junostraat 2 | 6468 EW Kerkrade, The Netherlands
 +31 45 546 85 66 | +31 45 546 85 96 fax | www.elationlighting.eu | info@elationlighting.eu

Elation Professional Mexico | AV Santa Ana 30 | Parque Industrial Lerma, Lerma, Mexico 52000
 +52 (728) 282-7070

DOCUMENT VERSION



Due to additional product features and/or enhancements, an updated version of this document may be available online. Please scan the QR Code with your mobile device or visit www.elationlighting.eu for the latest revision/update of this manual, before installation and/or programming.

Date	Document Version	Software Version ≥	DMX Channel Modes	Notes
04/21/2020	1.0	1.03	1 / 2 / 3 / 4 / 5	Initial release.
06/25/2021	1.2	N/C	NO CHANGE	Added standalone mode note to system menu section, update dimensional drawings.
07/16/2021	1.4	N/C	NO CHANGE	Updated dimensional drawings.

CONTENTS

General Information	4
Limited Warranty (USA Only)	5
Safety Guidelines	6
Maintenance Guidelines	8
Fixture Overview	9
Installation Instructions	11
System Menu	13
Manual Dimmer Adjustment	16
DMX Channel Functions and Values	17
Dimmer Modes	21
Specifications	22
Dimensional Drawings	23

GENERAL INFORMATION

INTRODUCTION

Please read and understand the instructions in this manual carefully and thoroughly before attempting to operate this device. These instructions contain important safety and use information.

UNPACKING

Every device has been thoroughly tested and has been shipped in perfect operating condition. Carefully check the shipping carton for damage that may have occurred during shipping. If the carton is damaged, carefully inspect the device for damage, and be sure all accessories necessary to install and operate the device have arrived intact. In the event damage has been found or parts are missing, please contact our customer support team for further instructions. Please do not return this device to your dealer without first contacting customer support. Please do not discard the shipping carton in the trash. Please recycle whenever possible.

BOX CONTENTS

Fixture
Barn Door Assembly
Junior Pin
Gel Frame

CUSTOMER SUPPORT

Contact ELATION Service for any product related service and support needs. Also visit forums.elationlighting.com with questions, comments or suggestions.

ELATION SERVICE USA - Monday - Friday 8:00am to 4:30pm PST
323-582-3322 | Fax 323-832-9142 | support@elationlighting.com

ELATION SERVICE EUROPE - Monday - Friday 08:30 to 17:00 CET
+31 45 546 85 63 | Fax +31 45 546 85 96 | support@elationlighting.eu

REPLACEMENT PARTS please visit parts.elationlighting.com



IMPORTANT NOTICE!

THERE ARE NO USER SERVICEABLE PARTS INSIDE THIS UNIT. DO NOT ATTEMPT ANY REPAIRS YOURSELF; DOING SO WILL VOID YOUR MANUFACTURER'S WARRANTY. DAMAGES RESULTING FROM MODIFICATIONS TO THIS FIXTURE AND/OR THE DISREGARD OF SAFETY INSTRUCTIONS AND GUIDELINES IN THIS MANUAL VOID THE MANUFACTURER'S WARRANTY AND ARE NOT SUBJECT TO ANY WARRANTY CLAIMS AND/OR REPAIRS.

LIMITED WARRANTY

A. Elation Professional hereby warrants, to the original purchaser, Elation Professional products to be free of manufacturing defects in material and workmanship for a period of two years (730 days), and Elation Professional product rechargeable batteries to be free of manufacturing defects in material and workmanship for a period of six months (180 days), from the original date of purchase. This warranty excludes discharge lamps and all product accessories. This warranty shall be valid only if the product is purchased within the United States of America, including possessions and territories. It is the owner's responsibility to establish the date and place of purchase by acceptable evidence, at the time service is sought. B. For warranty service, send the product only to the Elation Professional factory. All shipping charges must be pre-paid. If the requested repairs or service (including parts replacement) are within the terms of this warranty, Elation Professional will pay return shipping charges only to a designated point within the United States. If any product is sent, it must be shipped in its original package and packaging material. No accessories should be shipped with the product. If any accessories are shipped with the product, Elation Professional shall have no liability what so ever for loss and/or or damage to any such accessories, nor for the safe return thereof. C. This warranty is void if the product serial number and/or labels are altered or removed; if the product is modified in any manner which Elation Professional concludes, after inspection, affects the reliability of the product; if the product has been repaired or serviced by anyone other than the Elation Professional factory unless prior written authorization was issued to purchaser by Elation Professional; if the product is damaged because not properly maintained as set forth in the product instructions, guidelines and/or user manual. D. This is not a service contract, and this warranty does not include any maintenance, cleaning or periodic check-up. During the periods as specified above, Elation Professional will replace defective parts at its expense, and will absorb all expenses for warranty service and repair labor by reason of defects in material or workmanship. The sole responsibility of Elation Professional under this warranty shall be limited to the repair of the product, or replacement thereof, including parts, at the sole discretion of Elation Professional. All products covered by this warranty were manufactured after January 1, 1990, and bare identifying marks to that effect. E. Elation Professional reserves the right to make changes in design and/or performance improvements upon its products without any obligation to include these changes in any products theretofore manufactured. F. No warranty, whether expressed or implied, is given or made with respect to any accessory supplied with the products described above. Except to the extent prohibited by applicable law, all implied warranties made by Elation Professional in connection with this product, including warranties of merchantability or fitness, are limited in duration to the warranty periods set forth above. And no warranties, whether expressed or implied, including warranties of merchantability or fitness, shall apply to this product after said periods have expired. The consumer's and/or dealer's sole remedy shall be such repair or replacement as is expressly provided above; and under no circumstances shall Elation Professional be liable for any loss and/or damage, direct and/or consequential, arising out of the use of, and/or the inability to use, this product. G. This warranty is the only written warranty applicable to Elation Professional products and supersedes all prior warranties and written descriptions of warranty terms and conditions heretofore published.

WARRANTY RETURNS

All returned service items whether under warranty or not, must be freight pre-paid and accompany a return authorization (R.A.) number. The R.A. number must be clearly written on the outside of the return package. A brief description of the problem as well as the R.A. number must also be written down on a piece of paper and included in the shipping container. If the unit is under warranty, you must provide a copy of your proof of purchase invoice. Items returned without a R.A. number clearly marked on the outside of the package will be refused and returned at customer's expense. You may obtain a R.A. number by contacting customer support.

SAFETY GUIDELINES

This fixture is a sophisticated piece of electronic equipment. To guarantee smooth operation, it is important to follow all instructions and guidelines in this manual. Elation Professional is not responsible for injury and/or damages resulting from the misuse of this fixture due to the disregard of the information printed in this manual. Only qualified and/or certified personnel should perform installation of this fixture and only the original rigging parts included with this fixture should be used for installation. Any modifications to the fixture and/or the included mounting hardware will void the original manufacturer's warranty and increase the risk of damage and/or personal injury.



PROTECTION CLASS 1 - FIXTURE MUST BE PROPERLY GROUNDED



THERE ARE NO USER SERVICEABLE PARTS INSIDE THIS UNIT. DO NOT ATTEMPT ANY REPAIRS YOURSELF; DOING SO WILL VOID YOUR MANUFACTURER'S WARRANTY. DAMAGES RESULTING FROM MODIFICATIONS TO THIS FIXTURE AND/OR THE DISREGARD OF SAFETY INSTRUCTIONS AND GUIDELINES IN THIS MANUAL VOID THE MANUFACTURER'S WARRANTY AND ARE NOT SUBJECT TO ANY WARRANTY CLAIMS AND/OR REPAIRS.



**DO NOT PLUG FIXTURE INTO A DIMMER PACK!
NEVER OPEN THIS FIXTURE WHILE IN USE!
UNPLUG POWER BEFORE SERVICING FIXTURE!
NEVER TOUCH FIXTURE DURING OPERATION, AS IT MAY BE HOT!
KEEP FLAMMABLE MATERIALS AWAY FROM FIXTURE!**



**NEVER LOOK DIRECTLY INTO THE LIGHT SOURCE!
RETINA INJURY RISK - MAY INDUCE BLINDNESS!
SENSITIVE PERSONS MAY SUFFER AN EPILEPTIC SHOCK!**



**INDOOR / DRY LOCATIONS USE ONLY!
DO NOT EXPOSE FIXTURE TO RAIN AND MOISTURE!**

SAFETY GUIDELINES

- **DO NOT TOUCH** the fixture housing during operation. Turn OFF the power and allow approximately 15 minutes for the fixture to cool down before servicing.
- **DO NOT** shake fixture, and avoid brute force when installing and/or operating fixture.
- **DO NOT** operate fixture if the power cord is frayed, crimped, damaged and/or if any of the power cord connectors are damaged and do not insert into the fixture smoothly and securely. **NEVER** force a power cord connector into the fixture. If the power cord or any of its connectors are damaged, replace it immediately with a new one of similar power rating.
- **DO NOT** block any air ventilation slots.
- All fan and air inlets must remain clean and never blocked.
- Allow approx. 6” (15cm) between fixture and other devices or walls for proper cooling.
- When installing fixture in a suspended environment, always use mounting hardware that is no less than M10 x 25 mm, and always install fixture with an appropriately rated safety cable.
- Always disconnect fixture from main power source before performing any type of service and/or cleaning procedure. Only handle the power cord by the plug end, and never pull out the plug by tugging the wire portion of the cord.
- During the initial operation of this fixture, a light smoke or smell may emit from the interior of the fixture. This is a normal process and is caused by excess paint in the interior of the casing burning off from the heat associated with the lamp and will decrease gradually over time.
- Consistent operational breaks will ensure fixture will function properly for many years.
- **ONLY** use the original packaging and materials to transport the fixture for service.

MAINTENANCE GUIDELINES



DISCONNECT POWER BEFORE PERFORMING ANY MAINTENANCE!

CLEANING

Frequent cleaning is recommended to ensure proper function, optimized light output, and an extended life. The frequency of cleaning depends on the environment in which the fixture operates: damp, smoky or particularly dirty environments can cause greater accumulation of dirt on the fixture's optics. Clean the external lens surface periodically with a soft cloth to avoid dirt/debris accumulation.

NEVER use alcohol, solvents, or ammonia-based cleaners.

MAINTENANCE

Regular inspections are recommended to ensure proper function and extended life.

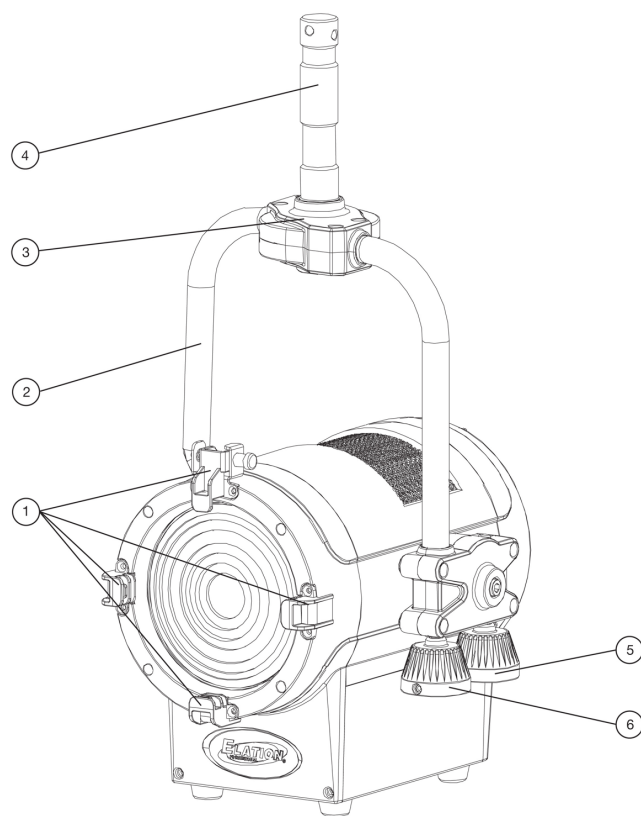
There are no user serviceable parts inside this fixture, please refer all other service issues to an authorized Elation service technician. Should you need any spare parts, please order genuine parts from your local Elation dealer.

Please refer to the following points during routine inspections:

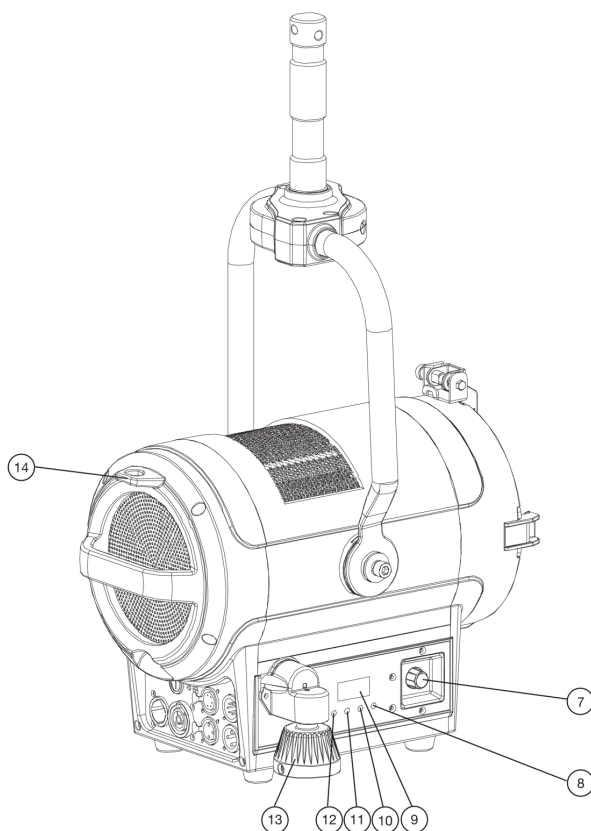
- A detailed electrical check by an approved electrical engineer every three months, to make sure the circuit contacts are in good condition in order to prevent overheating.
- Be sure all screws and fasteners are securely tightened at all times. Loose screws may fall out during normal operation, resulting in damage or injury as larger parts could fall.
- Check for any deformations on the housing, color lenses, rigging hardware and rigging points (ceiling, suspension, trussing). Deformations in the housing could allow for dust to enter into the fixture. Damaged rigging points or unsecured rigging could cause the fixture to fall and seriously injure a person(s).
- Electric power supply cables must not show any damage, material fatigue, or sediments.

NEVER remove the ground prong from the power cable.

FIXTURE OVERVIEW

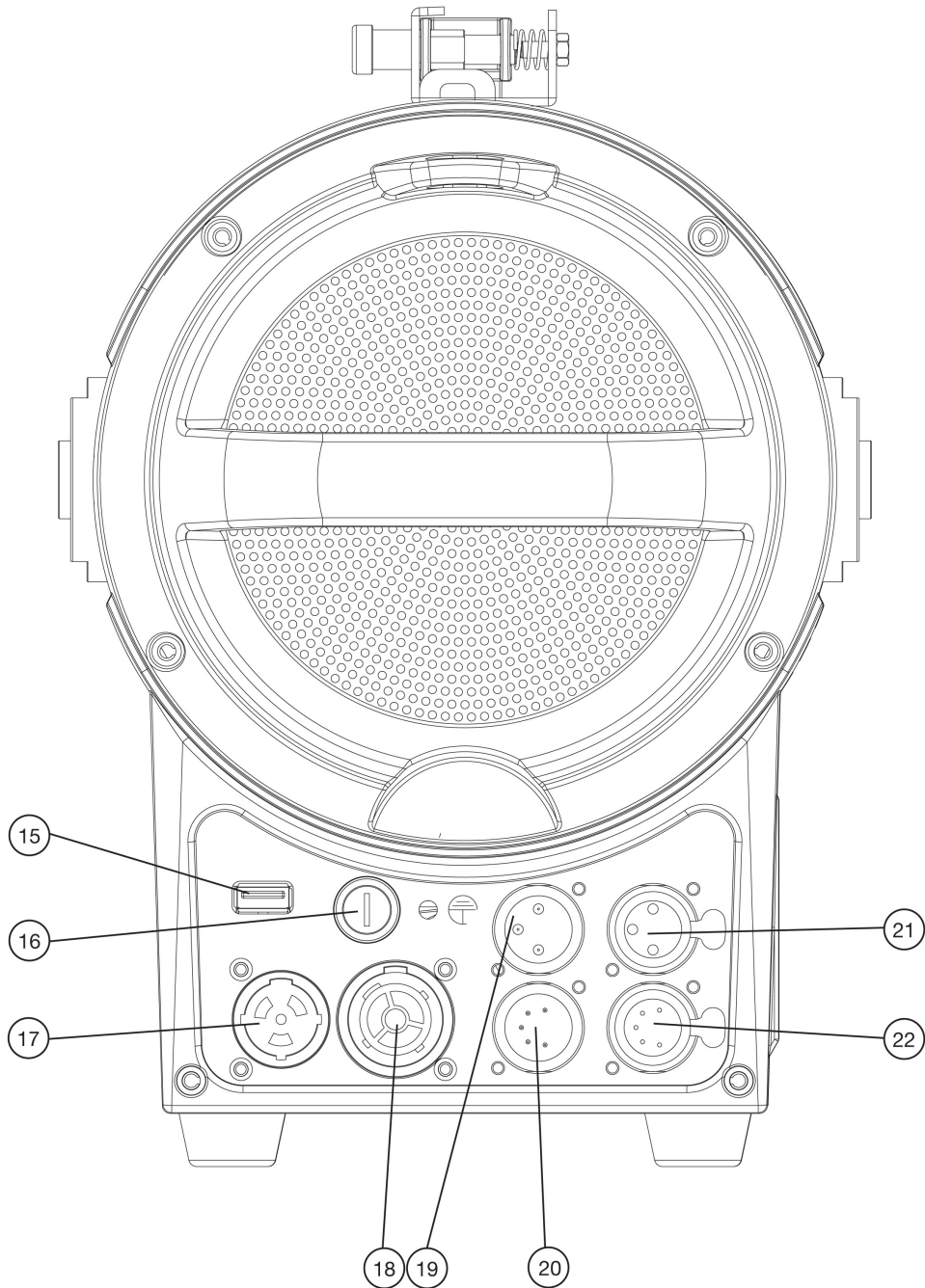


1. Barn Door Installation Slots
2. Mounting Yoke
3. Clamp Mounting Point
4. Junior Pin (installed)
5. Tilt Adjustment Knob
6. Pan Adjustment Knob



7. Dimmer Adjustment Knob
8. Enter Button
9. Display Screen
10. Down Button
11. Up Button
12. Mode Button
13. Zoom Adjustment Knob
14. Safety Cable Rigging Point

FIXTURE OVERVIEW



- 15. Service Port
- 16. Fuse – T3A / 250V
- 17. Power In
- 18. Power Out
- 19. 3-pin DMX In
- 20. 5-pin DMX In
- 21. 3-pin DMX Out
- 22. 5-pin DMX Out

INSTALLATION INSTRUCTIONS



FLAMMABLE MATERIAL WARNING

Keep fixture minimum 5.0 feet (1.5m) away from flammable materials and/or pyrotechnics.



ELECTRICAL CONNECTIONS

A qualified electrician should be used for all electrical connections and/or installations.



USE CAUTION WHEN POWER LINKING OTHER MODEL FIXTURES AS THE POWER CONSUMPTION OF OTHER MODEL FIXTURES MAY EXCEED THE MAX POWER OUTPUT ON THIS FIXTURE. CHECK SILK SCREEN FOR MAX AMPS.



DO NOT INSTALL THE FIXTURE IF YOU ARE NOT QUALIFIED TO DO SO!

Fixture **MUST** be installed following all local, national, and country commercial electrical and construction codes and regulations.

Before rigging/mounting a single fixture or multiple interconnected fixtures for custom matrix designs to any metal truss/structure or placing the fixture(s) on any surface, a professional equipment installer **MUST** be consulted to determine if the metal truss/structure or surface is properly certified to safely hold the combined weight of the fixture(s), clamps, cables, and accessories.

Maximum fixture ambient operating temperature is **113°F (45°C)**.

Do not operate this fixture when ambient temperature exceeds this rating.

Fixture(s) should be installed in areas outside walking paths, seating areas, or away from areas where unauthorized personnel might reach the fixture by hand.

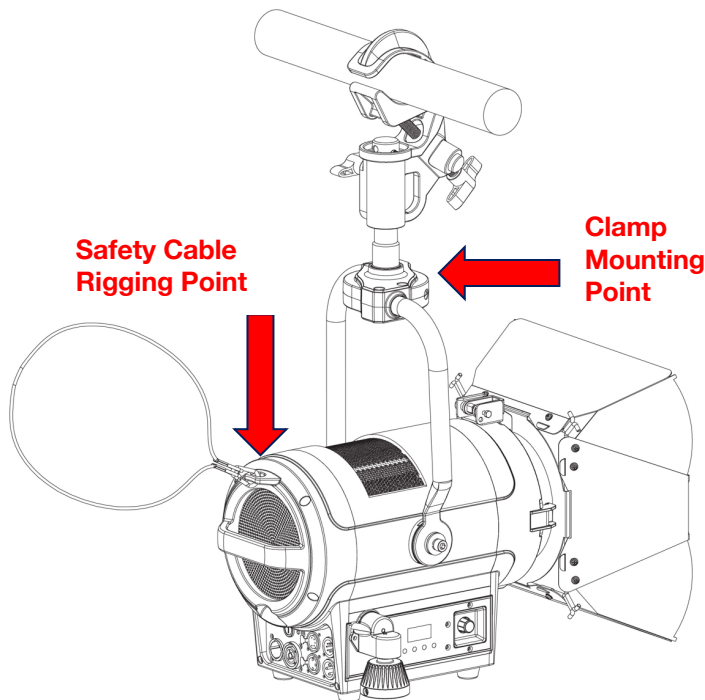
NEVER stand directly below the fixture(s) when rigging, removing or servicing.

Overhead fixture installation must always be secured with a secondary safety attachment, such as an appropriately rated safety cable that meets all local, national, and country codes and regulations. Allow approximately 15 minutes for the fixture to cool down before servicing.

INSTALLATION INSTRUCTIONS

CLAMP INSTALLATION

This fixture includes an adjustable mounting yoke with an integrated clamp mounting point, as well as an additional safety cable rigging point attached to the body of the fixture (see the illustration below). When mounting this fixture to truss, be sure to secure an appropriately rated clamp (not included) to the clamp mounting point on the yoke and attach a separate **SAFETY CABLE** of the appropriate rating (not included) to the safety cable rigging point on the fixture.



SAFETY CABLE

**ALWAYS ATTACH A SAFETY CABLE
WHENEVER INSTALLING THIS
FIXTURE IN A SUSPENDED
ENVIRONMENT TO ENSURE THE
FIXTURE WILL NOT FALL IF THE
CLAMP FAILS.**

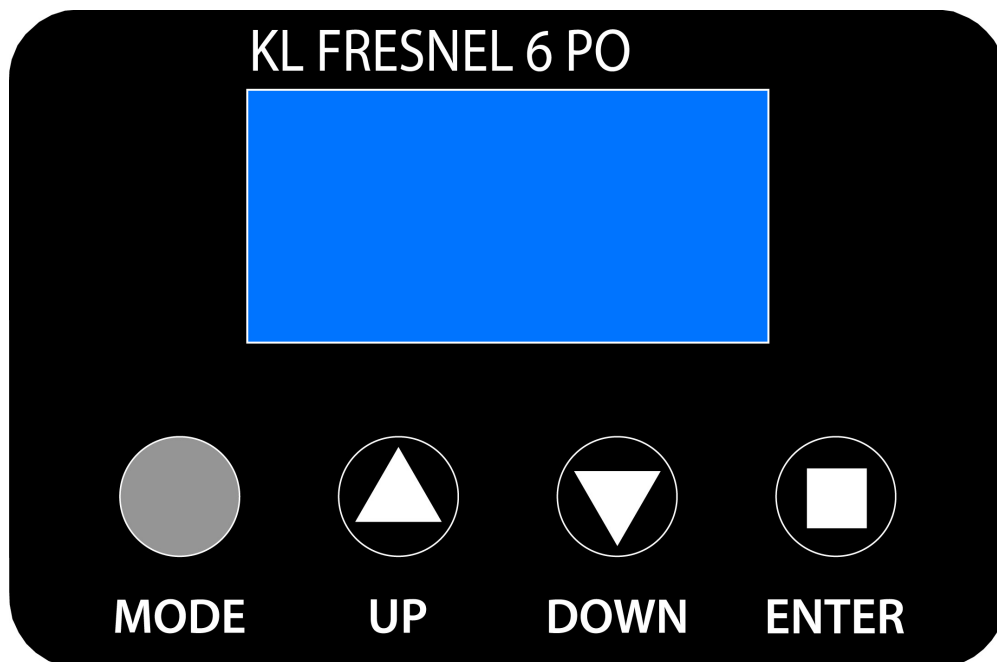
RIGGING

Overhead rigging requires extensive experience, including calculating working load limits, understanding the installation material being used, and periodic safety inspection of all installation material and the fixture, among other qualifications. If you lack these qualifications, do not attempt the installation yourself. Improper installation can result in bodily injury.

SYSTEM MENU

The fixture includes an easy to navigate system menu. The control panel (see image below) located on the side of the fixture provides access to the main system menu, where all necessary system adjustments are made. During normal operation, pressing **MODE** button once will access the fixture's main menu. Once in the main menu you can navigate through the different functions and access the sub-menus with the **UP** and **DOWN** buttons. Once you reach a field that requires adjusting, press the **ENTER** button to activate that field and use the **UP** and **DOWN** buttons to adjust the field. Pressing the **ENTER** button once more will confirm your setting. You may exit the main menu at any time without making any adjustments by pressing the **MODE** button.

The display screen will automatically turn off after 30 seconds of inactivity.



STANDALONE

Press the **Mode** button to access the fixture's main menu. Use the **UP** and **DOWN** buttons to navigate to **DMX Settings** and press the **ENTER** button. Navigate to **No DMX Status** and press the **ENTER** button. Navigate to **Standalone** and press the **ENTER** button.

SYSTEM MENU

Elation KL Fresnel 6 PO – System Menu				
Default settings shown in bold				
Supports Software Versions: 1.03				
ADDRESS	001 – 511			
USER MODE	Dimmer			
	Dimmer 16-bit			
	3CH			
	Standard			
	Extended			
FUNCTION	Status	Lost DMX	Black / Hold	
	LCD Set	Display (30-second screen saver)	On / Off	
		Key Lock	On / Off	
		Flash (display screen flashes when DMX conn. is lost)	On / Off	
		Invert (flip screen display)	On / Off	
	Temp C/F	C / F		
	Dim Mode	Standard		
		Stage		
		TV		
		Architec		
		Theatre		
		Stage 2		
		0.0 s		
		0.1 s		
		...		
		10.0 s		
	Disp Set	ADDR		
		Disp. CH		
		Slave		
	Fan Set	LED Fan	Auto	
			High	
			Low	
	Dim Curve	Linear		
		Square		
		Inv. Square		
		S-Curve		
	Frequen	900 Hz		
		1000 Hz		
		1100 Hz		
		1200 Hz		
		1300 Hz		
		1400 Hz		
1500 Hz				
2500 Hz				
4000 Hz				
5000 Hz				

Continued on next page

FUNCTION (continued from prev page)	Frequen (continued from prev page)	5000 Hz	
		10 kHz	
		15 kHz	
		20 kHz	
		25 kHz	
	USB Data	On / Off	
	MasterSw	On / Off	
	DFSE	On / Off	
INFO	Time Info	Current (fixture run time since last reset in hours)	
		Total (total fixture run time in hours)	
		Last (time since last time reset)	
		Password (050/60)	
		Clear	On / Off
	Temp Info	LED Temp (current LED run temperature)	C / F
	Err Info	None, ...	
	Model Inf	KL F6 PO	
	Software	1.03	
TEST	ManCtrl	Dimmer	000 – 255
		Strobe	000 – 255

MANUAL DIMMER ADJUSTMENT

This fixture features a Dimmer Adjustment Knob located next to the system menu controls (see illustration below).

When operating in DMX mode, pressing and holding the Dimmer Adjustment Knob for 3 seconds will automatically trigger the LED to operate at max power for 2 minutes. This function is intended to aid the operator in adjusting the pan, tilt, and zoom of the fixture as desired.

When the fixture is not connected to DMX communication, the Dimmer Adjustment Knob can be used to quickly adjust the dimmer intensity. To use this feature, simply press the knob and then rotate to make the desired adjustments. When the adjustment is complete, press the knob again to lock in the selected dimmer intensity.



System Menu Controls

Dimmer Adjustment Knob

DMX CHANNEL FUNCTIONS AND VALUES

1-CH DIMMER MODE

Elation KL Fresnel 6 PO DMX Channels / Functions (1 DMX Channel, Dimmer Mode)		
Supports Software Versions: 1.03		
CHANNEL	VALUE	FUNCTION
1	000 – 255	Dimmer Intensity, 0 to 100%

2-CH DIMMER 16-BIT MODE

Elation KL Fresnel 6 PO DMX Channels / Functions (2 DMX Channels, Dimmer 16-Bit Mode)		
Supports Software Versions: 1.03		
CHANNEL	VALUE	FUNCTION
1	000 – 255	Dimmer Intensity, 0 to 100%
2	000 – 255	Dimmer Intensity Fine, 0 to 100%

3-CH MODE

Elation KL Fresnel 6 PO DMX Channels / Functions (3 DMX Channels, 3-CH Mode)		
Supports Software Versions: 1.03		
CHANNEL	VALUE	FUNCTION
1	000 – 255	Dimmer Intensity, 0 to 100%
2	Strobe	
	000 – 031	Closed
	032 – 063	Open
	064 – 095	Strobe, Slow to Fast
	096 – 127	Open
	128 – 159	Pulse, Slow to Fast
	160 – 191	Open
	192 – 223	Random, Slow to Fast
3	Dim Modes	
	000 – 020	Standard (Default)
	021 – 040	Stage
	041 – 060	TV
	061 – 080	Architectural
	081 – 100	Theatre
	101 – 120	Stage 2
	Dimmer Delay Time	
	121	0.0 s
	122	0.1 s
	123	0.2 s
	124	0.3 s
	125	0.4 s
	126	0.5 s
	127	0.6 s

CONTINUED ON NEXT PAGE

CHANNEL	VALUE	FUNCTION
3 (continued from prev page)	Dimmer Delay Time (continued from prev page)	
	128	0.7 s
	129	0.8 s
	130	0.9 s
	131	1.0 s
	132	1.5 s
	133	2.0 s
	134	3.0 s
	135	4.0 s
	136	5.0 s
	137	6.0 s
	138	7.0 s
	139	8.0 s
	140	9.0 s
	141	10.0 s
142 – 255	Default	

4-CH STANDARD MODE

Elation KL Fresnel 6 PO DMX Channels / Functions (4 DMX Channels, Standard Mode)		
Supports Software Versions: 1.03		
CHANNEL	VALUE	FUNCTION
1	000 – 255	Dimmer Intensity, 0 to 100%
2	000 – 255	Dimmer Intensity Fine, 0 to 100%
3	Strobe	
	000 – 031	Closed
	032 – 063	Open
	064 – 095	Strobe, Slow to Fast
	096 – 127	Open
	128 – 159	Pulse, Slow to Fast
	160 – 191	Open
	192 – 223	Random, Slow to Fast
224 – 255	Open	
4	Dim Modes	
	000 – 020	Standard (Default)
	021 – 040	Stage
	041 – 060	TV
	061 – 080	Architectural
	081 – 100	Theatre
	101 – 120	Stage 2
	Dimmer Delay Time	
	121	0.0 s
	122	0.1 s
	123	0.2 s
	124	0.3 s
	125	0.4 s
	126	0.5 s
127	0.6 s	
CONTINUED ON NEXT PAGE		

CHANNEL	VALUE	FUNCTION
Dimmer Delay Time (continued from prev page)		
4 <i>(continued from prev page)</i>	128	0.7 s
	129	0.8 s
	130	0.9 s
	131	1.0 s
	132	1.5 s
	133	2.0 s
	134	3.0 s
	135	4.0 s
	136	5.0 s
	137	6.0 s
	138	7.0 s
	139	8.0 s
	140	9.0 s
	141	10.0 s
142 – 255	Default	

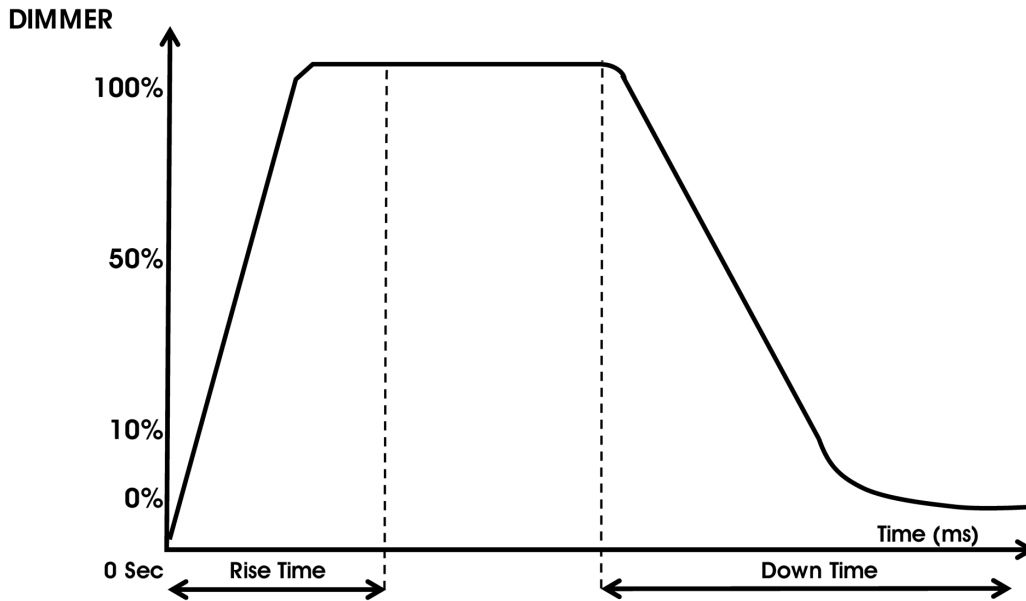
5-CH EXTENDED MODE

Elation KL Fresnel 6 PO DMX Channels / Functions (5 DMX Channels, Extended Mode)		
Supports Software Versions: 1.03		
CHANNEL	VALUE	FUNCTION
1	000 – 255	Dimmer Intensity, 0 to 100%
2	000 – 255	Dimmer Intensity Fine, 0 to 100%
3	Strobe	
	000 – 031	Closed
	032 – 063	Open
	064 – 095	Strobe, Slow to Fast
	096 – 127	Open
	128 – 159	Pulse, Slow to Fast
	160 – 191	Open
	192 – 223	Random, Slow to Fast
4	Dim Modes	
	000 – 020	Standard (Default)
	021 – 040	Stage
	041 – 060	TV
	061 – 080	Architectural
	081 – 100	Theatre
	101 – 120	Stage 2
	<i>Dimmer Delay Time</i>	
	121	0.0 s
	122	0.1 s
	123	0.2 s
	124	0.3 s
	125	0.4 s
126	0.5 s	
127	0.6 s	
CONTINUED ON NEXT PAGE		

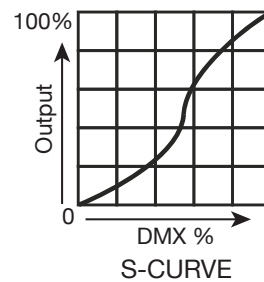
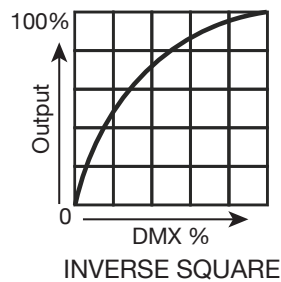
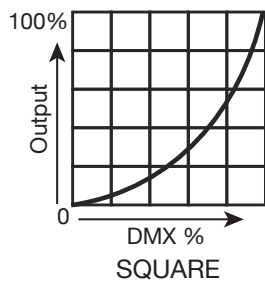
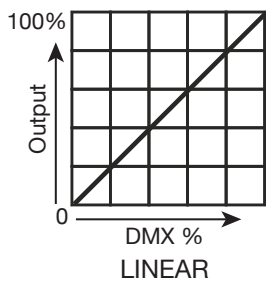
CHANNEL	VALUE	FUNCTION
4 <i>(continued from prev page)</i>	<i>Dimmer Delay Time (continued from prev page)</i>	
	128	0.7 s
	129	0.8 s
	130	0.9 s
	131	1.0 s
	132	1.5 s
	133	2.0 s
	134	3.0 s
	135	4.0 s
	136	5.0 s
	137	6.0 s
	138	7.0 s
	139	8.0 s
	140	9.0 s
	141	10.0 s
142 – 255	Default	
5	Control (hold for 3 seconds)	
	000 - 100	Idle
	<i>Refresh Rate</i>	
	101 – 105	900 Hz
	106 – 110	1000 Hz
	111 – 115	1100 Hz
	116 – 120	1200 Hz (default)
	121 – 125	1300 Hz
	126 – 130	1400 Hz
	131 – 135	1500 Hz
	136 – 140	2500 Hz
	141 – 145	4000 Hz
	146 – 150	5000 Hz
	151 – 155	10000 Hz
	156 – 160	15000 Hz
	161 – 165	20000 Hz
	166 – 170	25000 Hz
	171 – 200	Idle
	<i>Dimmer Curve</i>	
	201 – 210	Linear (default)
	211 – 220	Square
221 – 230	Inverse Square	
231 – 240	S-Curve	
241 – 255	Idle	

DIMMER MODES

Select desired DIMMER MODE (**Standard**, Stage, TV, Architectural, Theatre, Stage2).



Dimming Curve Ramp Effect	0 sec Fade Time		1 sec Fade Time	
	Rise Time (ms)	Down Time (ms)	Rise Time (ms)	Down Time (ms)
Standard (default)	0	0	0	0
Stage	780	1100	1540	1660
TV	1180	1520	1860	1940
Architectural	1380	1730	2040	2120
Theatre	1580	1940	2230	2280
Stage 2	0	1100	0	1660



SPECIFICATIONS

SOURCE

150W Warm White LED Engine
6,500 Total Output Lumens, 3,000K, 95CRI
50,000 Hour Average LED Life*

*May vary depending on several factors including but not limited to:

Environmental Conditions, Power/Voltage, Usage Patterns (On-Off Cycling), Control, and Dimming.

PHOTOMETRIC DATA

7,924 LUX 736 FC @ 9.8' (3m) (Min. Zoom)
1,961 LUX 182 FC @ 9.8' (3m) (Max. Zoom)

EFFECTS

High Speed Electronic Shutter and Strobe
Variable Dimming Curves, Dim Modes and Dimming Delays

COLOR

3,000K Warm White LED

CONTROL / CONNECTIONS

5 DMX Channel Modes (1 / 2 / 3 / 4 / 5)
DMX Support
RDM (Remote Device Management)
Adjustable Refresh Frequency (900 – 25,000 Hz)
8 / 16 Bit Dimming Control
4 Button and 1 Dial Control Panel
Manual and DMX Controlled Dimming
180° Reversible LCD Menu Display
USB Firmware Service Port
Locking 3/5pin XLR In/Out and Power In/Out

SIZE / WEIGHT

Junior Pin Installed:

- Length: 13.5" (343.7mm)
- Width: 11.0" (280.3mm)
- Vertical Height: 23.0" (584.2mm)

Junior Pin & Barndoor Installed

- Length: 19.3" (489.2mm)
- Width: 11.6" (295.7mm)
- Vertical Height: 23.0" (584.2mm)

Weight: 18.5 lbs. (8.4 kg)

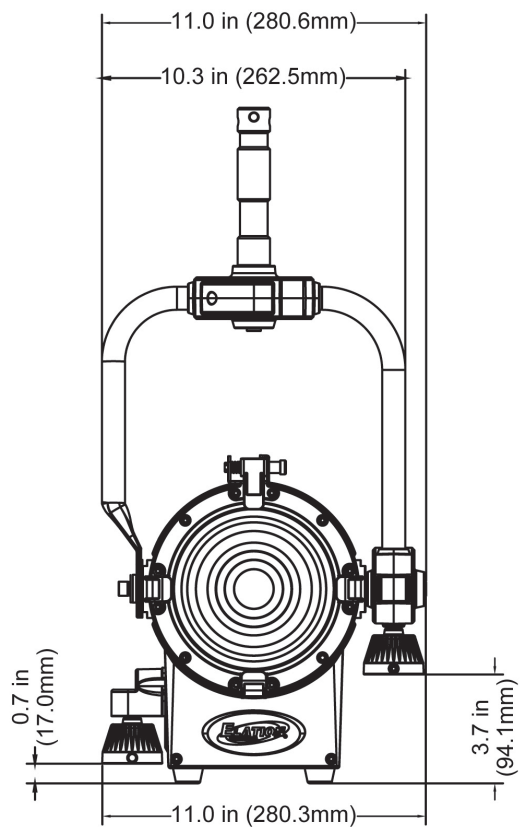
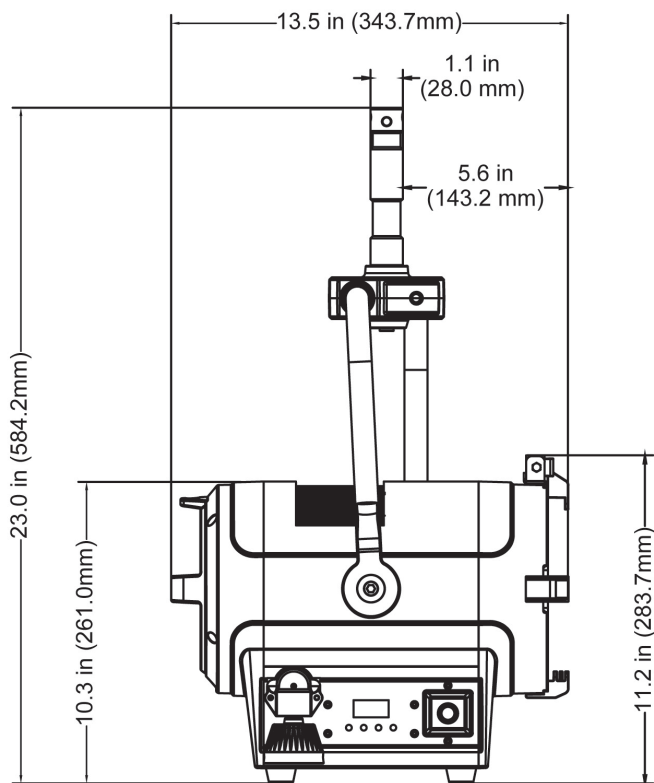
ELECTRICAL / THERMAL

AC 100-240V – 50/60 Hz
180W Max Power Consumption
14°F to 113°F (-10°C to 45°C)

Specifications and improvements in the design of this unit and this manual are subject to change without any prior written notice.

DIMENSIONAL DRAWINGS

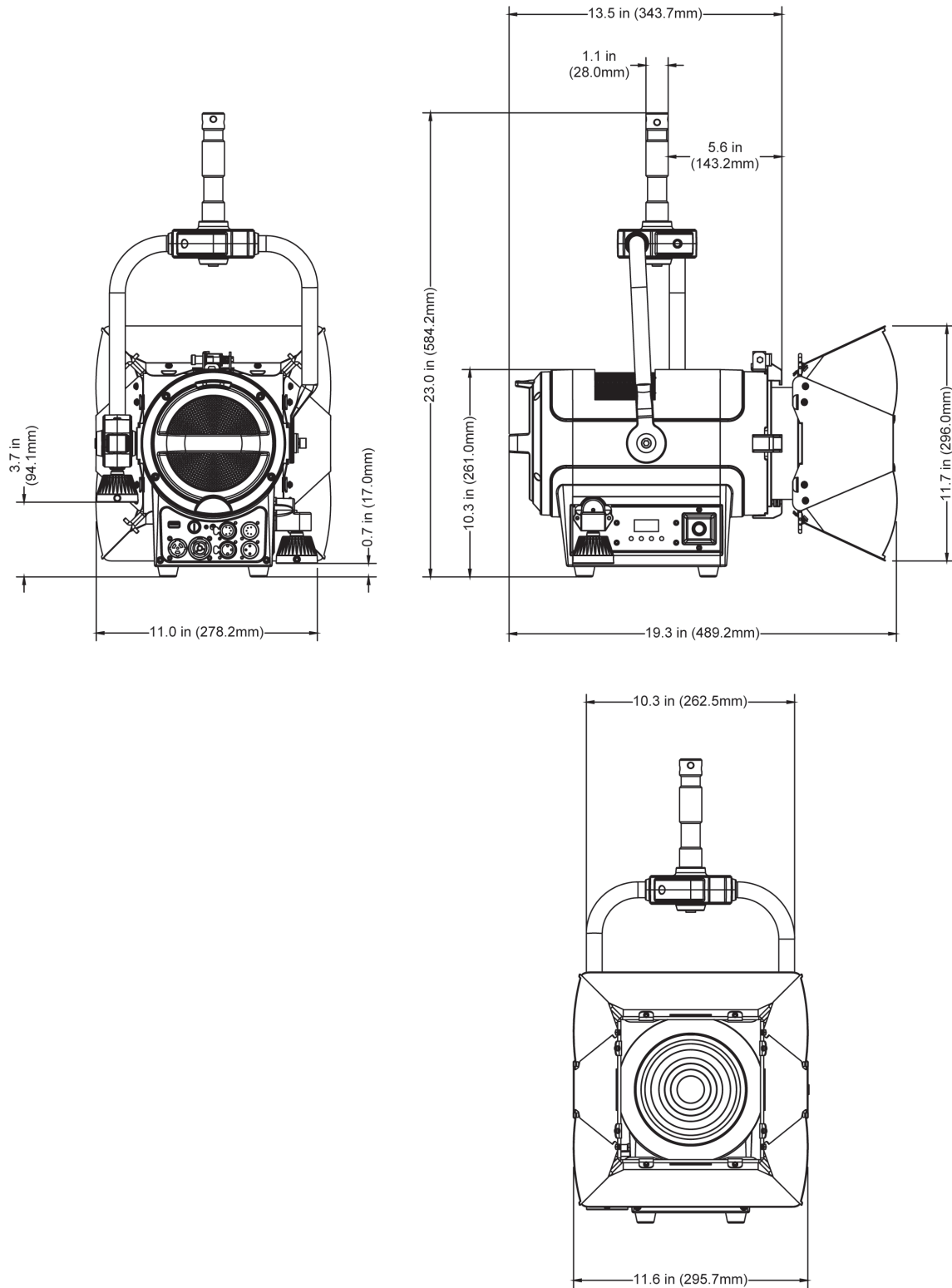
FIXTURE WITH JUNIOR PIN INSTALLED



Drawings not to scale.

DIMENSIONAL DRAWINGS

BARN DOOR AND JUNIOR PIN INSTALLED



Drawings not to scale.

EU#: 1236100173