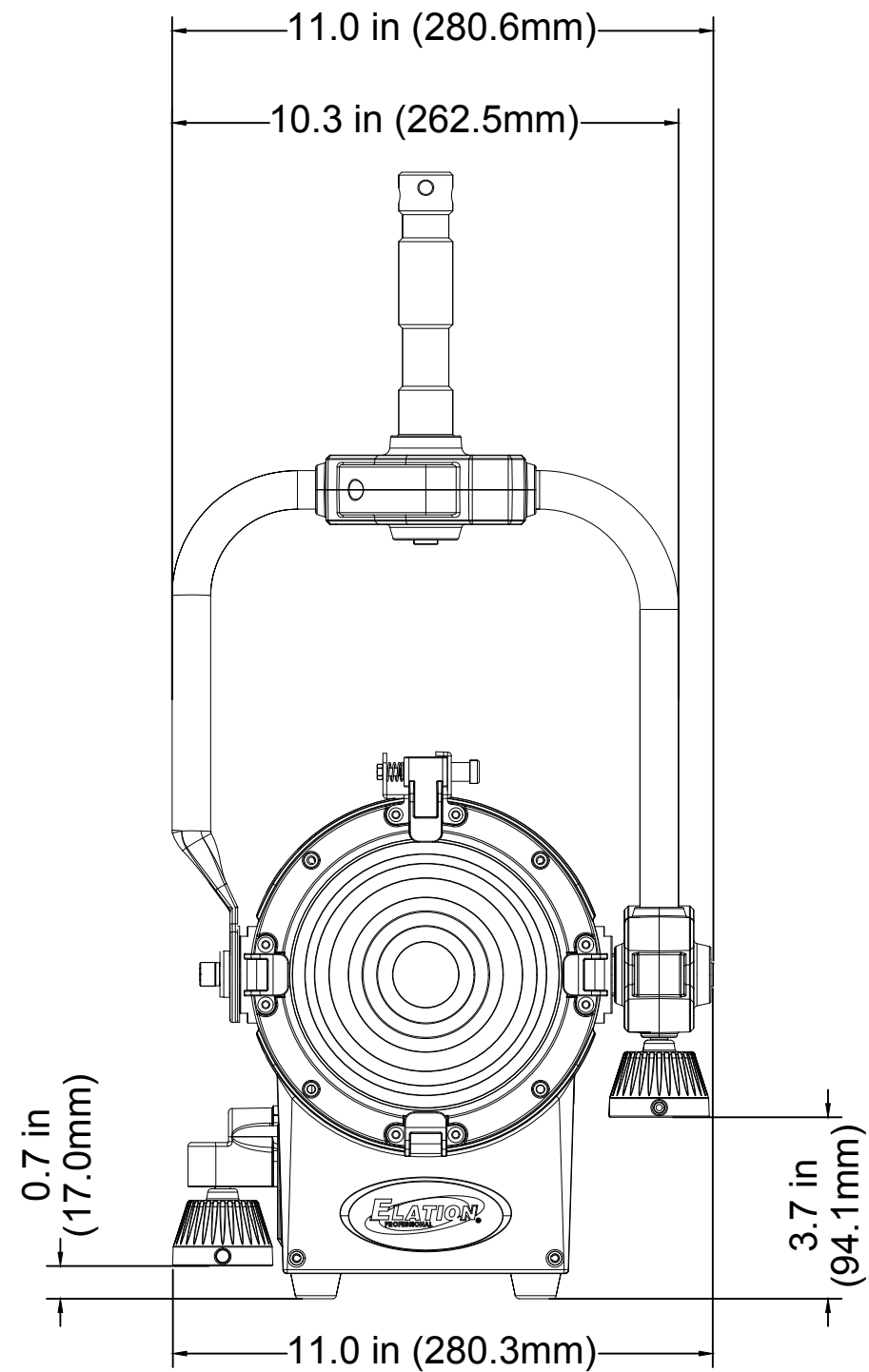
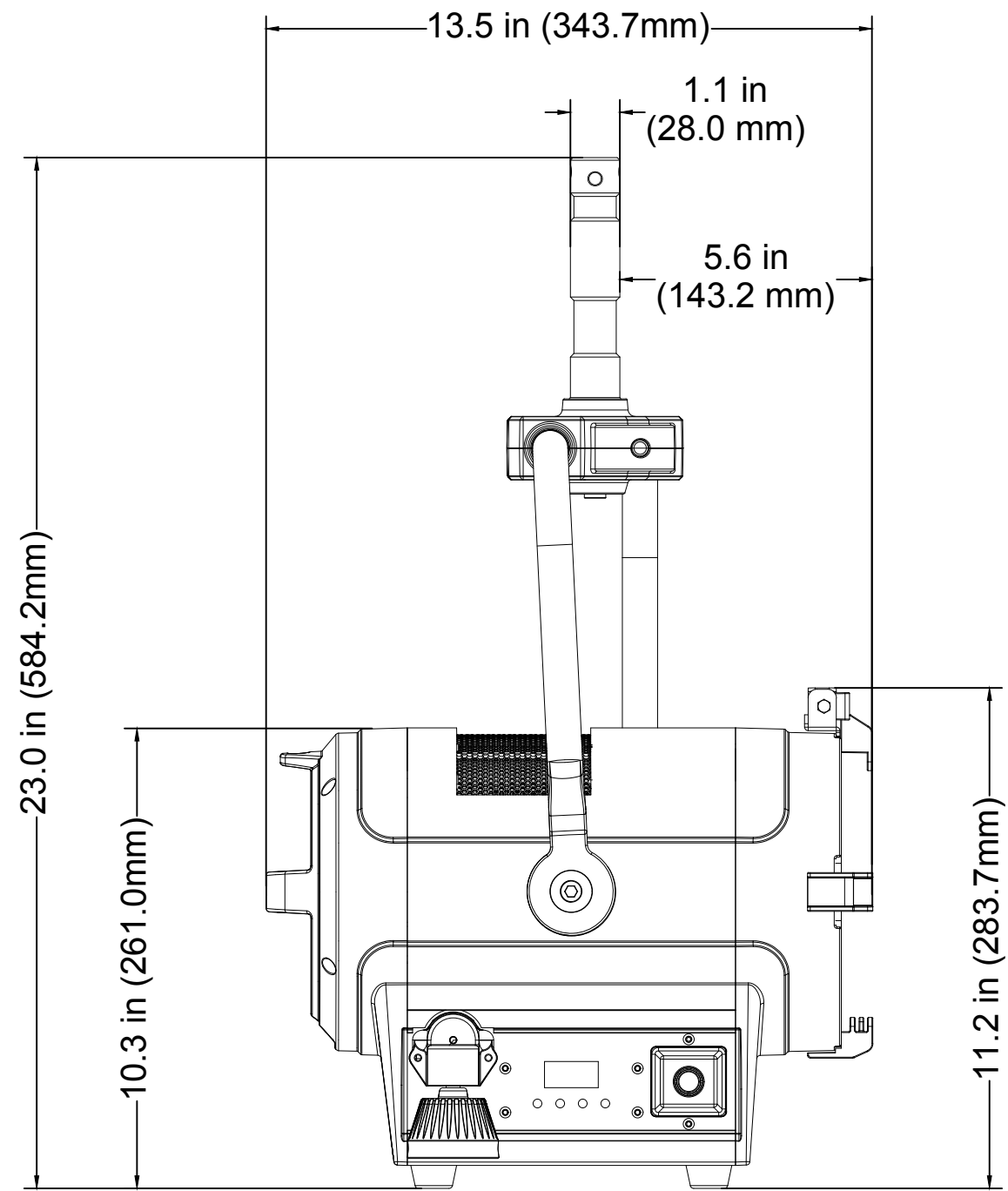


©ELATION all rights reserved. Information contained within this drawing is proprietary and confidential. Any reproduction and/or distribution of any part of this drawing without the written consent of Elation Professional is strictly prohibited. Diagrams and/or measurements herein subject to change without notice.



TITLE: ELATION KL FRESNEL 6 PO		DATE: 25-JUN-2021	
SCALE: NONE	TOL: ±	.XX(.X) - -	.XXX(.XX) - -
		ANGLE: -	