



SIXPAR 300™

SKU# **SIX062**

The new indoor version SIXPAR 300™ features (18) 12W 6-IN-1 RGBAW+UV LEDs, 100,000 average hour LED life, 15° beam and 25° field angles, electronic strobe and dimming (0-100%), 5 variable dimming curve modes, dual yoke / floor stand, multiple unit power linking, RDM (remote device management), rugged die-cast aluminum exterior, flicker free operation for TV and FILM, 220W max power consumption, and a multi-voltage universal auto switching power supply (110-250v).



FEATURES

Indoor Par Up Light

(18) 12W 6-in-1 RGBAW+UV LEDs

100,000 Average Hour LED Life

15° Beam and 25° Field Angles

5 Variable Dimming Curve Modes

Dual Yoke / Floor Stand

Multiple Unit Power Linking

RDM - Remote Device Management

Rugged Die-Cast Aluminum Exterior

Flicker Free Operation for TV and FILM



ELATION | SIXPAR 300™ | Product Specification Sheet

Specifications are subject to change without notice ©Elation Professional 06/08/16

Elation Professional USA | 6122 S. Eastern Ave. | Los Angeles, CA. 90040
323-582-3322 | 323-832-9142 fax | www.elationlighting.com | info@elationlighting.com

Elation Professional B.V. | Junostraat 2 | 6468 EW Kerkrade, Netherlands
+31 45 546 85 66 | +31 45 546 85 96 fax | www.elationlighting.eu | info@elationlighting.eu

PRODUCT SPECIFICATIONS

FEATURES

- 15° Beam 25° Field Angles
- 5 Variable Dimming Curve Modes
- Dual Yoke / Floor Stand
- Multiple Unit Power Linking
- RDM - Remote Device Management
- Rugged Die-Cast Aluminum Exterior
- Flicker Free Operation for TV and FILM

SOURCE

- (18) 12W 6-in-1 RGBAW+UV LEDs
- 100,000 Hour Average LED Life

PHOTOMETRIC DATA

- 24,500 LUX 2,276 FC @3.3' (1m) (15° Full ON)
- 8,500 LUX 790 FC @6.6' (2m) (15° Full ON)
- 3,950 LUX 367 FC @9.8' (3m) (15° Full ON)
- 2,150 LUX 200 FC @13.1' (4m) (15° Full ON)
- 1,350 LUX 125 FC @16.5' (5m) (15° Full ON)

EFFECTS

- Electronic Strobe
- Color and Chase Macros
- Electronic Dimming: 0% - 100%
- 5 Variable Dimming Curve Modes

CONTROL / CONNECTIONS

- (4) DMX Channel Modes (6 / 7 / 8 / 12)
- (4) Button Touch Control Panel
- LCD Menu Display
- 3pin & 5pin DMX
- Twist Locking Power Cable

SIZE / WEIGHT

- Length: 14.4" (365mm)
- Width: 4.9" (125mm)
- Vertical Height: 14.4" (365mm)
- Weight: 21.0 lbs. (9.5 kg)

ELECTRICAL / THERMAL

- AC 110-250V - 50/60Hz
- 220W Max Power Consumption
- Power Linking: 5pcs @110V / 10pcs @240V
- 5°F to 113°F (-15°C to 45°C)

APPROVALS / RATINGS

CE | IP20



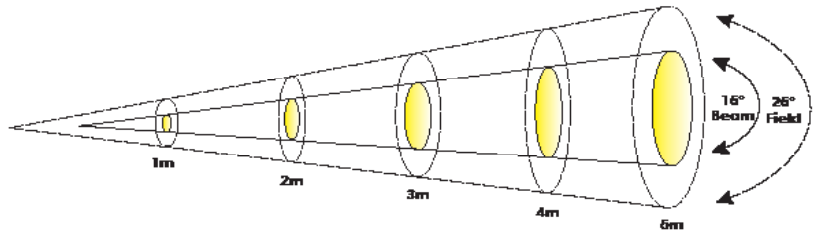
INSTALLATION

- Rigging: Integrated Dual Yoke / Floor Stand
- Working Position: Any (360°)

INCLUDED ITEMS

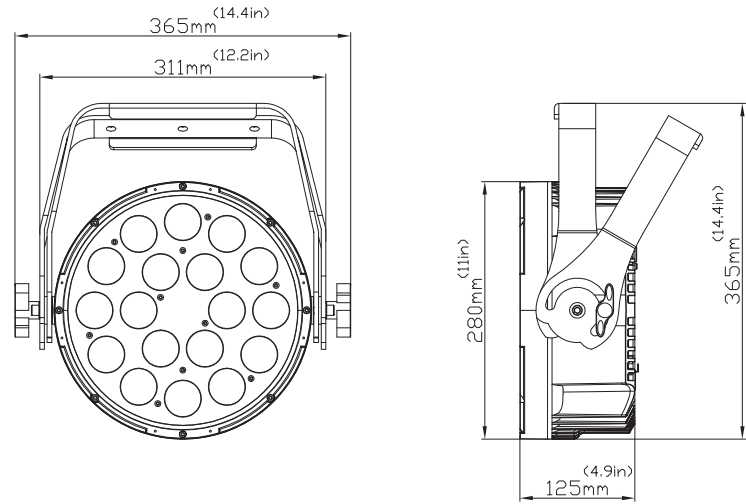
- Twist Locking Power Cable

PHOTOMETRIC DATA



Distance	m		ft		m		ft		m		ft	
	1	3.3	2	6.6	3	9.8	4	13.1	5	16.4		
16° Beam Diameter	0.4	1.3	0.64	2.1	0.85	2.8	1.05	3.4	1.32	4.3		
25° Field Diameter	0.45	1.5	0.88	2.9	1.33	4.4	1.77	5.8	2.21	7.3		
	lux	fc	lux	fc	lux	fc	lux	fc	lux	fc		
RED LEDs	4,750	441	1,308	122	430	40	315	29	199	18		
GREEN LEDs	8,400	780	2,170	202	1,000	93	554	51	360	33		
BLUE LEDs	9,520	884	2,490	231	1,185	110	662	61	425	39		
WHITE LEDs	10,860	1,009	2,930	272	1,363	127	753	70	491	46		
AMBER LEDs	3,130	291	823	76	351	33	197	18	127	12		
UV LEDs	1,920	178	510	47	240	22	131	12	85	8		
FULL ON	24,500	2,276	8,500	790	3,950	367	2,150	200	1,350	125		

DIMENSIONAL DIAGRAMS



OPTIONAL ACCESSORIES

ORDER CODE	ITEM
TRIGGER CLAMP	Heavy Duty Wrap Around Hook Style Clamp
SIXPAR300/GFH	Gel Frame and Holder Kit
SIXPAR/BD300	Barn Door (Gel Frame Holder Kit Required - Not Included)
LSF536	Light Shaping Filter 30° 20" x 24" Sheet
LSF537	Light Shaping Filter 20° 20" x 22" Sheet
LSF538	Light Shaping Filter 60° x 1° 20" x 24" Sheet
LSF559	Light Shaping Filter 10° 20" x 24" Sheet
EWDMSYSTEM	Wireless DMX System (1 Transmitter, 1 Receiver)
EWDMT	Wireless DMX Transmitter
EWDMXR	Wireless DMX Receiver
PLC3	3' (1m) Power PRO Link Cable
AC3PDMX5PRO	5 ft. (1.5m) 3pin PRO DMX Cable
AC5PDMX5PRO	5 ft. (1.5m) 5pin PRO DMX Cable
	Additional Cable Lengths Available



Specifications are subject to change without notice ©Elation Professional 06/08/16

Elation Professional USA | 6122 S. Eastern Ave. | Los Angeles, CA. 90040
323-582-3322 | 323-832-9142 fax | www.elationlighting.com | info@elationlighting.com

Elation Professional B.V. | Junostraat 2 | 6468 EW Kerkrade, Netherlands
+31 45 546 85 66 | +31 45 546 85 96 fax | www.elationlighting.eu | info@elationlighting.eu