

CUEPIX BLINDER WW2

User Manual

©2021 ELATION PROFESSIONAL all rights reserved. Information, specifications, diagrams, images, and instructions herein are subject to change without notice. ELATION PROFESSIONAL logo and identifying product names and numbers herein are trademarks of ELATION PROFESSIONAL. Copyright protection claimed includes all forms and matters of copyrightable materials and information now allowed by statutory or judicial law or hereinafter granted. Product names used in this document may be trademarks or registered trademarks of their respective companies and are hereby acknowledged. All non-ELATION brands and product names are trademarks or registered trademarks of their respective companies.

ELATION PROFESSIONAL and all affiliated companies hereby disclaim any and all liabilities for property, equipment, building, and electrical damages, injuries to any persons, and direct or indirect economic loss associated with the use or reliance of any information contained within this document, and/or as a result of the improper, unsafe, insufficient and negligent assembly, installation, rigging, and operation of this product.

Elation Professional USA | 6122 S. Eastern Ave. | Los Angeles, CA. 90040
 323-582-3322 | 323-832-9142 fax | www.elationlighting.com | info@elationlighting.com

Elation Professional B.V. | Junostraat 2 | 6468 EW Kerkrade, The Netherlands
 +31 45 546 85 66 | +31 45 546 85 96 fax | www.elationlighting.eu | info@elationlighting.eu

Elation Professional Mexico | AV Santa Ana 30 | Parque Industrial Lerma, Lerma, Mexico 52000
 +52 (728) 282-7070

DOCUMENT VERSION

Due to additional product features and/or enhancements, an updated version of this document may be available online. Please scan the QR Code with your mobile device or visit www.elationlighting.com for the latest revision/update of this manual, before installation and/or programming.

Date	Document Version	Software Version ≥	DMX Channel Modes	Notes
2013	1	1.04	1/2/3/4	Initial release
1/15	2	1.07	N/C	Updated Strobe effects in CH3 and CH4 modes.
2/1/15	3	1.10	N/C	Updated Dimming Curve DMX Values
12/14/17	4	1.15	N/C	Added Stage 2 Dimming Curve Mode
09/18/20	5	1.17	N/C	Updated Primary/Secondary
04/12/21	6	N/C	N/C	Updated Dimensions & Graphics

CONTENTS

General Information	4
Limited Warranty (USA Only)	5
Safety Guidelines	6
Cleaning and Maintenance	8
Fixture Overview	9
Installation Instructions	10
System Menu	12
DMX Channel Functions And Values	15
Specifications	18
Optional Accessories	19

GENERAL INFORMATION

INTRODUCTION

Please read and understand the instructions in this manual carefully and thoroughly before attempting to operate this device. These instructions contain important safety and use information.

UNPACKING

Every device has been thoroughly tested and has been shipped in perfect operating condition. Carefully check the shipping carton for damage that may have occurred during shipping. If the carton is damaged, carefully inspect the device for damage, and be sure all accessories necessary to install and operate the device have arrived intact. In the event damage has been found or parts are missing, please contact our customer support team for further instructions. Please do not return this device to your dealer without first contacting customer support. Please do not discard the shipping carton in the trash. Please recycle whenever possible.

BOX CONTENTS

Power Cable

CUSTOMER SUPPORT

Contact ELATION Service for any product related service and support needs. Also visit forums.elationlighting.com with questions, comments or suggestions.

ELATION SERVICE USA - Monday - Friday 8:00am to 4:30pm PST
323-582-3322 | Fax 323-832-9142 | support@elationlighting.com

ELATION SERVICE EUROPE - Monday - Friday 08:30 to 17:00 CET
+31 45 546 85 63 | Fax +31 45 546 85 96 | support@elationlighting.eu

REPLACEMENT PARTS please visit parts.elationlighting.com

LIMITED WARRANTY (USA ONLY)

- A. Elation Professional hereby warrants, to the original purchaser, Elation Professional products to be free of manufacturing defects in material and workmanship for a period of two years (730 days), and Elation Professional product rechargeable batteries to be free of manufacturing defects in material and workmanship for a period of six months (180 days), from the original date of purchase. This warranty excludes discharge lamps and all product accessories. This warranty shall be valid only if the product is purchased within the United States of America, including possessions and territories. It is the owner's responsibility to establish the date and place of purchase by acceptable evidence, at the time service is sought.
- B. For warranty service, send the product only to the Elation Professional factory. All shipping charges must be pre-paid. If the requested repairs or service (including parts replacement) are within the terms of this warranty, Elation Professional will pay return shipping charges only to a designated point within the United States. If any product is sent, it must be shipped in its original package and packaging material. No accessories should be shipped with the product. If any accessories are shipped with the product, Elation Professional shall have no liability what so ever for loss and/or damage to any such accessories, nor for the safe return thereof.
- C. This warranty is void if the product serial number and/or labels are altered or removed; if the product is modified in any manner which Elation Professional concludes, after inspection, affects the reliability of the product; if the product has been repaired or serviced by anyone other than the Elation Professional factory unless prior written authorization was issued to purchaser by Elation Professional; if the product is damaged because not properly maintained as set forth in the product instructions, guidelines and/or user manual.
- D. This is not a service contract, and this warranty does not include any maintenance, cleaning or periodic check-up. During the periods as specified above, Elation Professional will replace defective parts at its expense, and will absorb all expenses for warranty service and repair labor by reason of defects in material or workmanship. The sole responsibility of Elation Professional under this warranty shall be limited to the repair of the product, or replacement thereof, including parts, at the sole discretion of Elation Professional. All products covered by this warranty were manufactured after January 1, 1990, and bare identifying marks to that effect.
- E. Elation Professional reserves the right to make changes in design and/or performance improvements upon its products without any obligation to include these changes in any products theretofore manufactured.
- F. No warranty, whether expressed or implied, is given or made with respect to any accessory supplied with the products described above. Except to the extent prohibited by applicable law, all implied warranties made by Elation Professional in connection with this product, including warranties of merchantability or fitness, are limited in duration to the warranty periods set forth above. And no warranties, whether expressed or implied, including warranties of merchantability or fitness, shall apply to this product after said periods have expired. The consumer's and/or dealer's sole remedy shall be such repair or replacement as is expressly provided above; and under no circumstances shall Elation Professional be liable for any loss and/or damage, direct and/or consequential, arising out of the use of, and/or the inability to use, this product.
- G. This warranty is the only written warranty applicable to Elation Professional products and supersedes all prior warranties and written descriptions of warranty terms and conditions heretofore published.

WARRANTY RETURNS

All returned service items whether under warranty or not, must be freight pre-paid and accompany a return authorization (R.A.) number. The R.A. number must be clearly written on the outside of the return package. A brief description of the problem as well as the R.A. number must also be written down on a piece of paper and included in the shipping container. If the unit is under warranty, you must provide a copy of your proof of purchase invoice. Items returned without a R.A. number clearly marked on the outside of the package will be refused and returned at customer's expense. You may obtain a R.A. number by contacting customer support.

SAFETY GUIDELINES

This fixture is a sophisticated piece of electronic equipment. To guarantee a smooth operation, it is important to follow all instructions and guidelines in this manual. Elation Professional is not responsible for injury and/or damages resulting from the misuse of this fixture due to the disregard of the information printed in this manual. Only qualified and/or certified personnel should perform installation of this fixture and only the original rigging parts (omega brackets) included with this fixture should be used for installation. Any modifications to the fixture and/or the included mounting hardware will void the original manufactures warranty and increase the risk of damage and/or personal injury.



PROTECTION CLASS 1 - FIXTURE MUST BE PROPERLY GROUNDED



**THERE ARE NO USER SERVICEABLE PARTS INSIDE THIS UNIT.
DO NOT ATTEMPT ANY REPAIRS YOURSELF; DOING SO WILL VOID YOUR MANUFACTURES WARRANTY. DAMAGES RESULTING FROM MODIFICATIONS TO THIS FIXTURE AND/OR THE DISREGARD OF SAFETY INSTRUCTIONS AND GUIDELINES IN THIS MANUAL VOID THE MANUFACTURES WARRANTY AND ARE NOT SUBJECT TO ANY WARRANTY CLAIMS AND/OR REPAIRS.**



**DO NOT PLUG FIXTURE INTO A DIMMER PACK!
NEVER OPEN THIS FIXTURE WHILE IN USE!
UNPLUG POWER BEFORE SERVICING FIXTURE!
NEVER TOUCH FIXTURE DURING OPERATION, AS IT MAY BE HOT!
KEEP FLAMMABLE MATERIALS AWAY FROM FIXTURE!**



**NEVER LOOK DIRECTLY INTO THE LIGHT SOURCE!
RETINA INJURY RISK - MAY INDUCE BLINDNESS!
SENSITIVE PERSONS MAY SUFFER AN EPILEPTIC SHOCK!**

SAFETY GUIDELINES

DO NOT TOUCH the fixture housing during operation. Turn OFF the power and allow approximately 15 minutes for the fixture to cool down before serving.

DO NOT shake fixture, avoid brute force when installing and/or operating fixture.

DO NOT operate fixture if the power cord is frayed, crimped, damaged and/or if any of the power cord connectors are damaged and do not insert into the fixture securely with ease. **NEVER** force a power cord connector into the fixture. If the power cord or any of its connectors are damaged, replace it immediately with a new one of similar power rating.

DO NOT block any air ventilation slots.

All fan and air inlets must remain clean and never blocked.

Allow approx. 6" (15cm) between fixture and other devices or a wall for proper cooling.

When installing fixture in a suspended environment, always use mounting hardware that is no less than M10 x 25 mm, and always install fixture with an appropriately rated safety cable.

Always disconnect fixture from main power source before performing any type of service and/or cleaning procedure. Only handle the power cord by the plug end, never pull out the plug by tugging the wire portion of the cord.

During the initial operation of this fixture, a light smoke or smell may emit from the interior of the fixture. This is a normal process and is caused by excess paint in the interior of the casing burning off from the heat associated with the lamp and will decrease gradually over time.

Consistent operational breaks will ensure fixture will function properly for many years.

ONLY use the original packaging and materials to transport the fixture in for service.

MAINTENANCE GUIDELINES

DISCONNECT POWER BEFORE PERFORMING ANY MAINTENANCE!

CLEANING

Frequent cleaning is recommended to insure proper function, optimized light output, and an extended life. The frequency of cleaning depends on the environment in which the fixture operates: damp, smoky or particularly dirty environments can cause greater accumulation of dirt on the fixture's optics. Clean the external lens surface at least every 20 days with a soft cloth to avoid dirt/debris accumulation.

NEVER use alcohol, solvents, or ammonia-based cleaners.

MAINTENANCE

Regular inspections are recommended to insure proper function and extended life.

There are no user serviceable parts inside this fixture, please refer all other service issues to an authorized Elation service technician. Should you need any spare parts, please order genuine parts from your local Elation dealer.

Please refer to the following points during routine inspections:

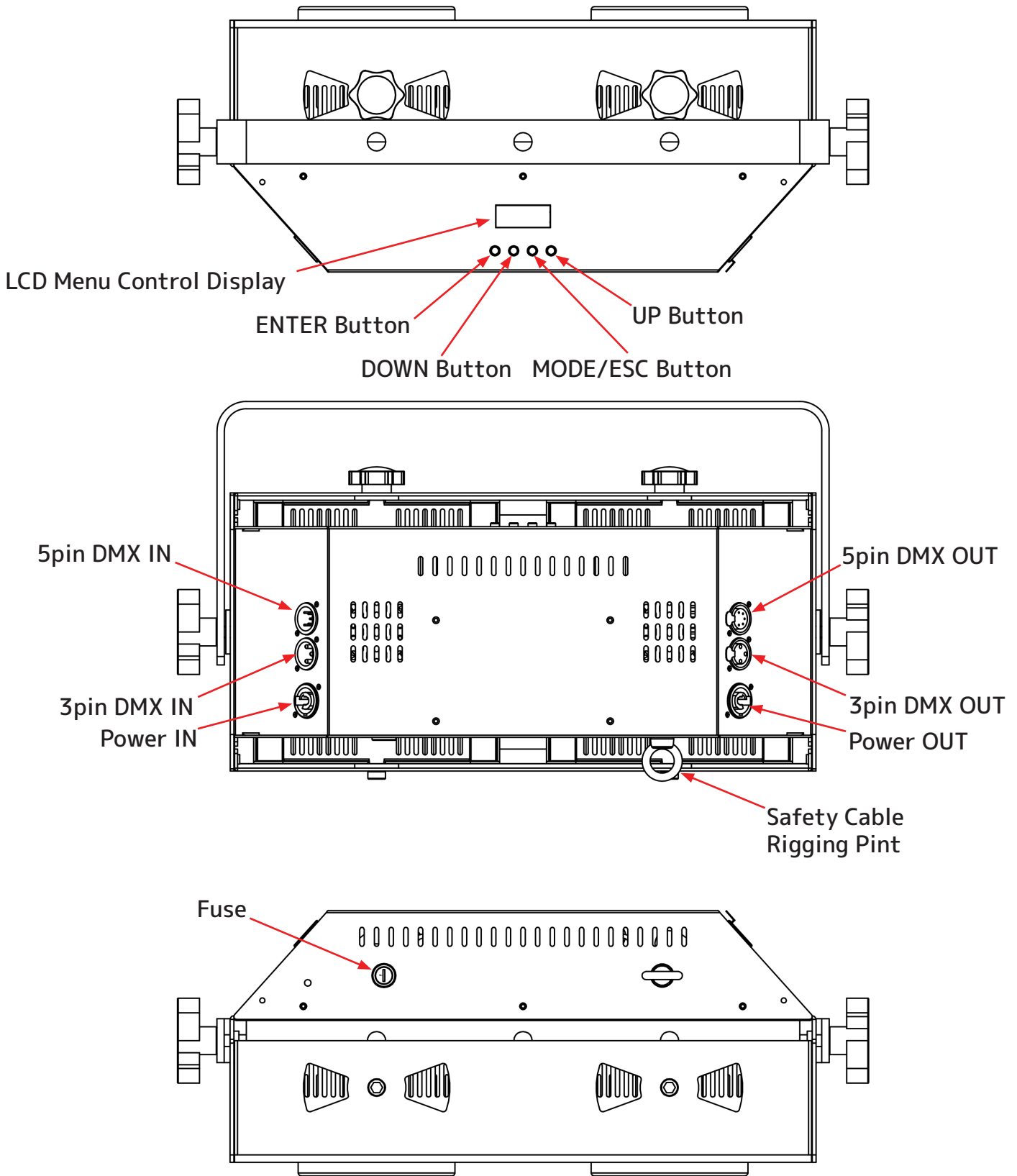
A detailed electric check by an approved electrical engineer every three months, to make sure the circuit contacts are in good condition and prevent overheating.

Be sure all screws and fasteners are securely tightened at all times. Loose screws may fall out during normal operation resulting in damage or injury as larger parts could fall.

Check for any deformations on the housing, color lenses, rigging hardware and rigging points (ceiling, suspension, trussing). Deformations in the housing could allow for dust to enter into the fixture. Damaged rigging points or unsecured rigging could cause the fixture to fall and seriously injure a person(s).

Electric power supply cables must not show any damage, material fatigue or sediments. **NEVER** remove the ground prong from the power cable.

OVERVIEW



INSTALLATION INSTRUCTIONS



FLAMMABLE MATERIAL WARNING

Keep fixture minimum 5.0 feet (1.5m) away from flammable materials and/or pyrotechnics.



ELECTRICAL CONNECTIONS

A qualified electrician should be used for all electrical connections and/or installations.



USE CAUTION WHEN POWER LINKING OTHER MODEL FIXTURES AS THE POWER CONSUMPTION OF OTHER MODEL FIXTURES MAY EXCEED THE MAX POWER OUTPUT ON THIS FIXTURE. CHECK SILK SCREEN FOR MAX AMPS.



DO NOT INSTALL THE FIXTURE IF YOU ARE NOT QUALIFIED TO DO SO!

Fixture **MUST** be installed following all local, national, and country commercial electrical and construction codes and regulations.

Before rigging/mounting a single fixture or multiple interconnected fixtures for custom matrix designs to any metal truss/structure or placing the fixture(s) on any surface, a professional equipment installer **MUST** be consulted to determine if the metal truss/structure or surface is properly certified to safely hold the combined weight of the fixture(s), clamps, cables, and accessories.

Fixture ambient operating temperature range is **14° to 113°F. (-10° to 45°C)**

Do not use the fixture under or above this temperature.

Fixture(s) should be installed in areas outside walking paths, seating areas, or away from areas where unauthorized personnel might reach the fixture by hand.

NEVER stand directly below the fixture(s) when rigging, removing or servicing.

Overhead fixture installation must always be secured with a secondary safety attachment, such as an appropriately rated safety cable that meets all local, national, and country codes and regulations. Allow approximately 15 minutes for the fixture to cool down before serving.

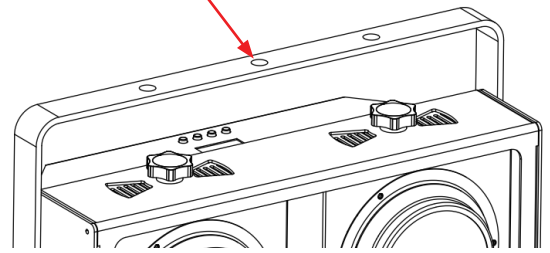
POWER LINKING

The maximum number of units that can be power-linked is (5x) @110V and (11x) @220V.

CLAMP MOUNTING

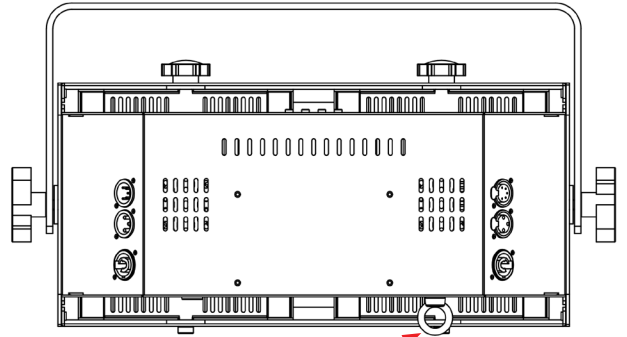
The fixture provides an integrated yoke/rigging bracket. When mounting this fixture to truss be sure to secure an appropriately rated clamps to the yoke/rigging bracket using a M10 screw fitted through the center hole.

Center Rigging Hole



SECURING

Regardless of the rigging option you choose for your fixture always be sure to secure your fixture with a safety cable. The fixture provides a built-in rigging point for a safety cable on the base of the unit as illustrated below. Be sure to only use this designated rigging point to attach the safety cable.



Safety Cable Rigging Point



RIGGING

Overhead rigging requires extensive experience, including amongst others calculating working load limits, installation material being used, and periodic safety inspection of all installation material and the fixture. If you lack these qualifications, do not attempt the installation yourself. Improper installation can result in bodily injury. Fixture is fully operational in the specific mounting positions illustrated.

SYSTEM MENU

The fixture includes an easy to navigate system menu. The control panel located on the side of the fixture provides access to the main system menu and is where all necessary system adjustments are made to the fixture. During normal operation, pressing **MODE** button once will access the fixture's main menu. Once in the main menu you can navigate through the different functions and access the sub-menus with the **UP** and **DOWN** buttons. Once you reach a field that requires adjusting, press the **ENTER** button to activate that field and use the **UP** and **DOWN** buttons to adjust the field. Pressing the **ENTER** button once more will confirm your setting. You may exit the main menu at any time without making any adjustments by pressing the **MODE** button.

NOTE: To access the LCD Menu Control Display when locked, press and hold the **MODE** button for 10 seconds. The LCD Menu Control Display will shut **OFF** automatically about 30-seconds from the last button press.



INFORMATION DISPLAYED DURING INITIAL POWER ON

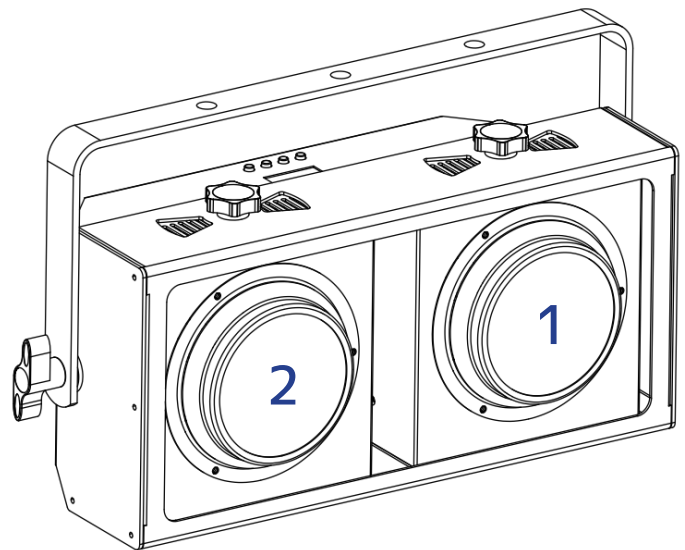
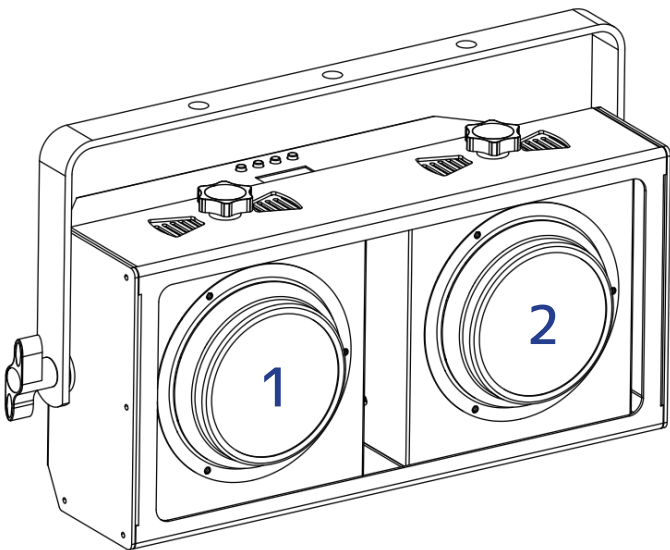
When the fixture is initially powered ON, the display shows the following information:



SYSTEM MENU		
Features subject to change without notice		
MAIN MENU	OPTIONS / VALUES	DESCRIPTION
CHANNEL CH:	01, 02, 03, 04	Set desired DMX Channel Mode
DMX MODE ADDR:	001 - 512	DMX Address Setting
SECONDARY MODE:		Set unit to Secondary Mode
DIMMER C1:	00-99	Set manual Dimming value for COB Module 1 *Control of COB Module 1 depends on the Flip setting
DIMMER C2:	0-99	Set manual Dimming value for COB Module 2 *Control of COB Module 2 depends on the Flip setting
DIMMER F:	00-99	Set manual Flash / Strobe value for COB Module 1
FLIP	OFF = 1,2 ON = 2,1	Set chase direction between COB Modules 1 and 2
DimCurve	Standard, Stage, TV, Architectural, Theatre, Default	Set desired Dimming Curve

FLIP SETTING

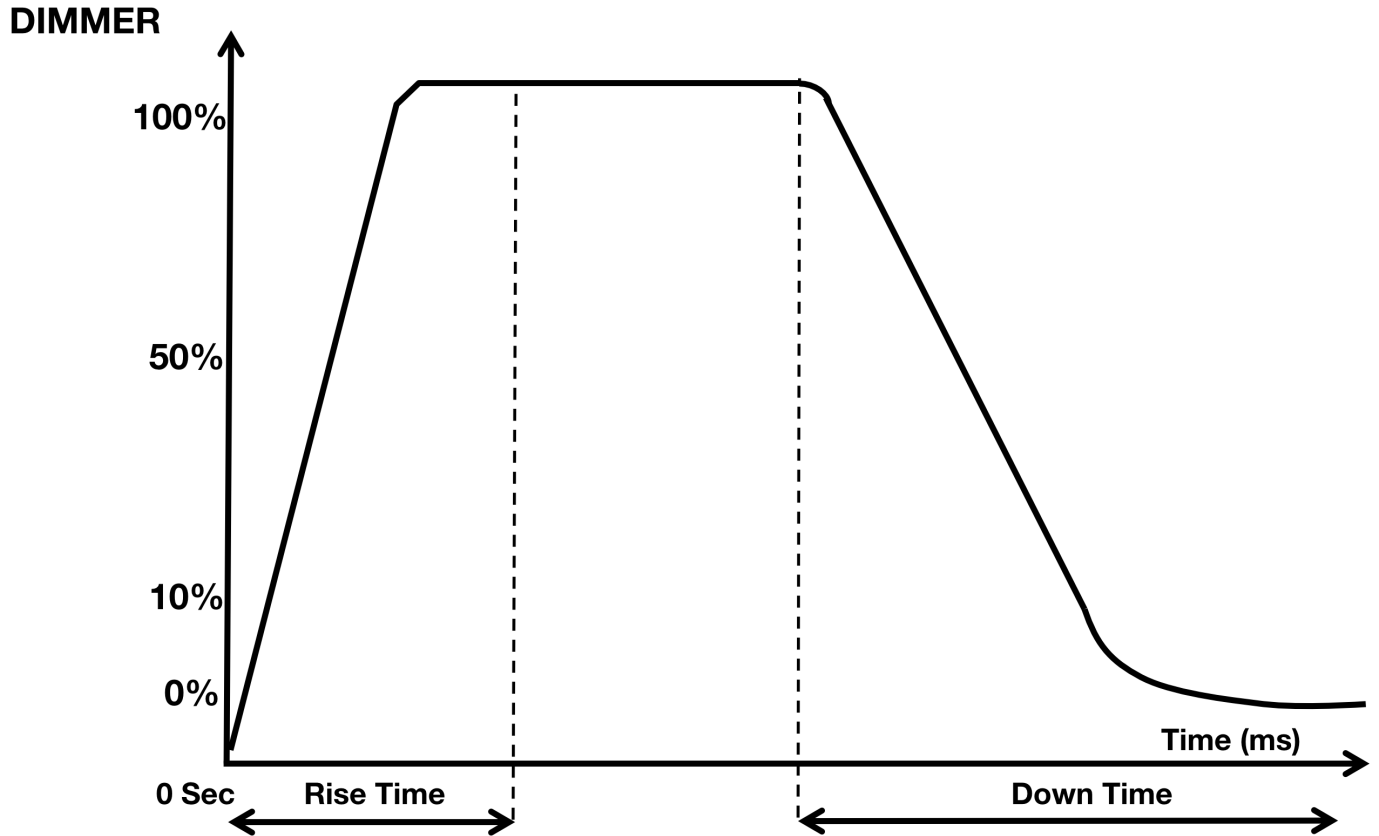
Select the desired starting COB module and chase direction from one of the following modes below via **UP/DOWN** buttons, and then press **ENTER** to confirm.



DIMMER CURVE MODES - Dim Curve

Select desired DIMMER MODE:

Standard, Stage, TV, Architectural, Theatre, Stage2 (only available with v1.15 or later).



Dimming Curve Ramp Effect	0 sec Fade Time		1 sec Fade Time	
	Rise Time (ms)	Down Time (ms)	Rise Time (ms)	Down Time (ms)
Standard (default)	0	0	0	0
Stage	780	1100	1540	1660
TV	1180	1520	1860	1940
Architectural	1380	1730	2040	2120
Theatre	1580	1940	2230	2280
Stage 2	0	1100	0	1660

DMX CHANNEL FUNCTIONS AND VALUES

RELATION[®] CUEPIX BLINDER WW2™ DMX Channel Values / Functions VERSION 3 (4 DMX Channels)

Release Date: 2013 | Supports Software Versions: ≥ 1.04

Features subject to change without notice

*Control of LEFT and RIGHT COB Modules chase direction depends on the Flip setting.

MODE / CHANNEL				Value	Function
1 CH	2 CH	3 CH	4 CH		
1	1	1		0-255	MASTER DIMMER Intensity 0 to 100%
			1	0-255	*LEFT COB MODULE DIMMER Intensity 0 to 100%
			2	0-255	*RIGHT COB MODULE DIMMER Intensity 0 to 100%
			3	0-255	FLASH / STROBE Flash / Strobe Effect SLOW to FAST
	2	3	4	0-41	DIMMING CURVE MODES STANDARD
				42-84	STAGE
				85-127	TV
				128-170	ARCHITECTURAL
				171-213	THEATRE
				214-255	Default to Unit Setting

Release Date: 1/2015 | Supports Software Versions: ≥ 1.07

Features subject to change without notice

*Control of LEFT and RIGHT COB Modules chase direction depends on the Flip setting.

1	1	1		0-255	MASTER DIMMER Intensity 0 to 100%
			1	0-255	*LEFT COB MODULE DIMMER Intensity 0 to 100%
			2	0-255	*RIGHT COB MODULE DIMMER Intensity 0 to 100%
		2	3	0-31	FLASH / STROBE COB OFF
				32-63	COB ON
				64-95	FLASH Strobe Effect SLOW to FAST
				96-127	COB ON
				128-159	PULSE Strobe Effect SLOW to FAST
				160-191	COB ON
				192-223	RANDOM Strobe SLOW to FAST
				224-255	COB ON
	2	3	4	0-41	DIMMING CURVE MODES STANDARD
				42-84	STAGE
				85-127	TV
				128-170	ARCHITECTURAL
				171-213	THEATRE
				214-255	Default to Unit Setting

ELATION® CUEPIX BLINDER WW2™
DMX Channel Values / Functions VERSION 3 (4 DMX Channels)

Release Date: 2/1/2016 | Supports Software Versions: ≥ 1.10

Features subject to change without notice

*Control of LEFT and RIGHT COB Modules chase direction depends on the Flip setting.

MODE / CHANNEL				Value	Function
1 CH	2 CH	3 CH	4 CH		
1	1	1			MASTER DIMMER
				0-255	Intensity 0 to 100%
			1		*LEFT COB MODULE DIMMER
				0-255	Intensity 0 to 100%
			2		*RIGHT COB MODULE DIMMER
				0-255	Intensity 0 to 100%
			3		FLASH / STROBE
				0-31	COB OFF
				32-63	COB ON
				64-95	FLASH Strobe Effect SLOW to FAST
				96-127	COB ON
				128-159	PULSE Strobe Effect SLOW to FAST
				160-191	COB ON
				192-223	RANDOM Strobe SLOW to FAST
			224-255	COB ON	
			4		DIMMING CURVE MODES
	2	3		0-41	STANDARD
				42-84	STAGE
				85-127	TV
				128-170	ARCHITECTURAL
				171-213	THEATRE
				214-255	Default to Unit Setting

Release Date: 12/14/2017 | Supports Software Versions: ≥ 1.15

Features subject to change without notice

*Control of LEFT and RIGHT COB Modules chase direction depends on the Flip setting.

1	1	1			MASTER DIMMER
				0-255	Intensity 0 to 100%
			1		*LEFT COB MODULE DIMMER
				0-255	Intensity 0 to 100%
			2		*RIGHT COB MODULE DIMMER
				0-255	Intensity 0 to 100%
			3		FLASH / STROBE
		2		0-31	COB OFF
				32-63	COB ON
				64-95	FLASH Strobe Effect SLOW to FAST
				96-127	COB ON
				128-159	PULSE Strobe Effect SLOW to FAST
				160-191	COB ON
				192-223	RANDOM Strobe SLOW to FAST
			224-255	COB ON	
			4		DIMMING CURVE MODES
	2	3		0-20	STANDARD
				21-40	STAGE
				41-60	TV
				61-80	ARCHITECTURAL
				81-100	THEATRE
				101-120	STAGE 2
			120-255	Default to Unit Setting	

SPECIFICATIONS

SOURCE

(2) 100W Warm White 3,200K COB LEDs
100,000 Hour Average Life*

*LED Life may vary depending on several factors including but not limited to:
Environmental Conditions, Power/Voltage, Usage Patterns (On-Off Cycling), Control, and Dimming.

PHOTOMETRIC DATA

5900 Max LUX (548 fc) @1M (Full On)

EFFECTS

Strobe
Variable / Selectable Dimming Curves

CONTROL / CONNECTIONS

4 DMX Channel Modes (1 / 2 / 3 / 4)
4 Button Control Panel and LCD Menu Display
3pin and 5pin DMX In/Out
RDM* (Remote Device Management) *Software Version 1.13 or Higher
Locking Power Cable In/Out
With Wired Digital Communication Network

SIZE / WEIGHT

Length: 18.6" (472 mm)
Width: 7.1" (181.2 mm)
Height: 10.2" (259.5 mm)
Weight: 11.2 lbs. (5.1 kg)

ELECTRICAL / THERMAL

AC 100-240V - 50/60Hz
229W Max Power Consumption
14°F to 113°F (-10°C to 45°C)

APPROVALS / RATINGS

CE | cETLus | IP20



Intertek

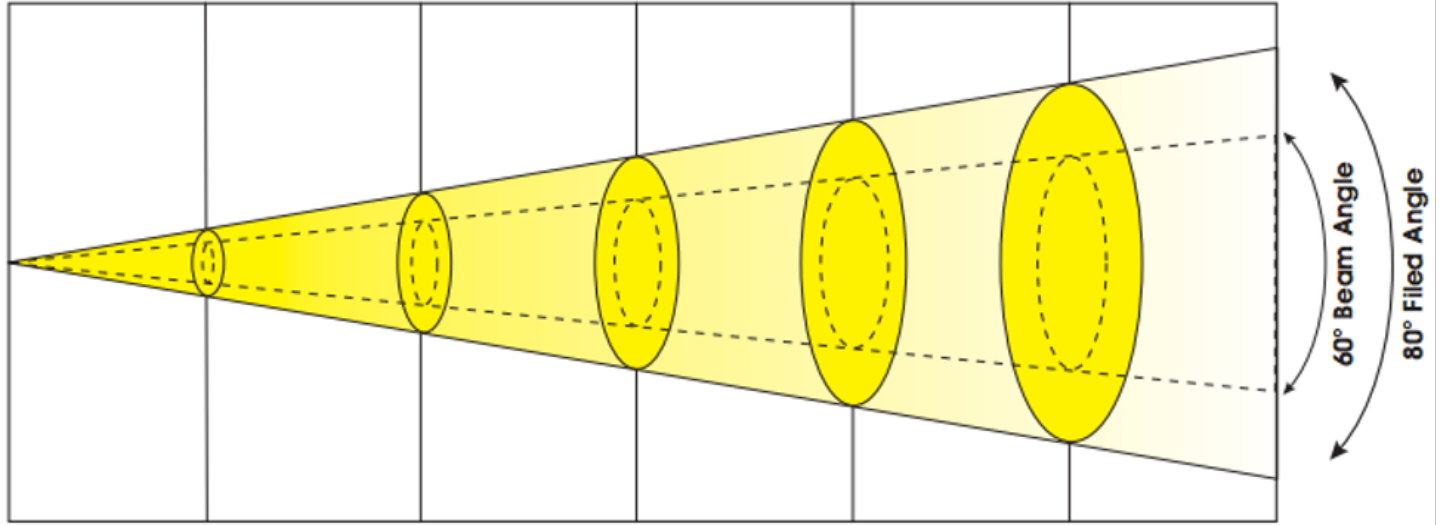
FIRMWARE UPDATES

Current Version: V1.17

Specifications and documentation subject to change without notice.

PHOTOMETRIC DATA

FULL ON 548 FC / 5900 LUX 127 FC / 1370 LUX 59 FC / 635 LUX 37 FC / 396 LUX 25 FC / 264 LUX LUX x 0.0929 = FC

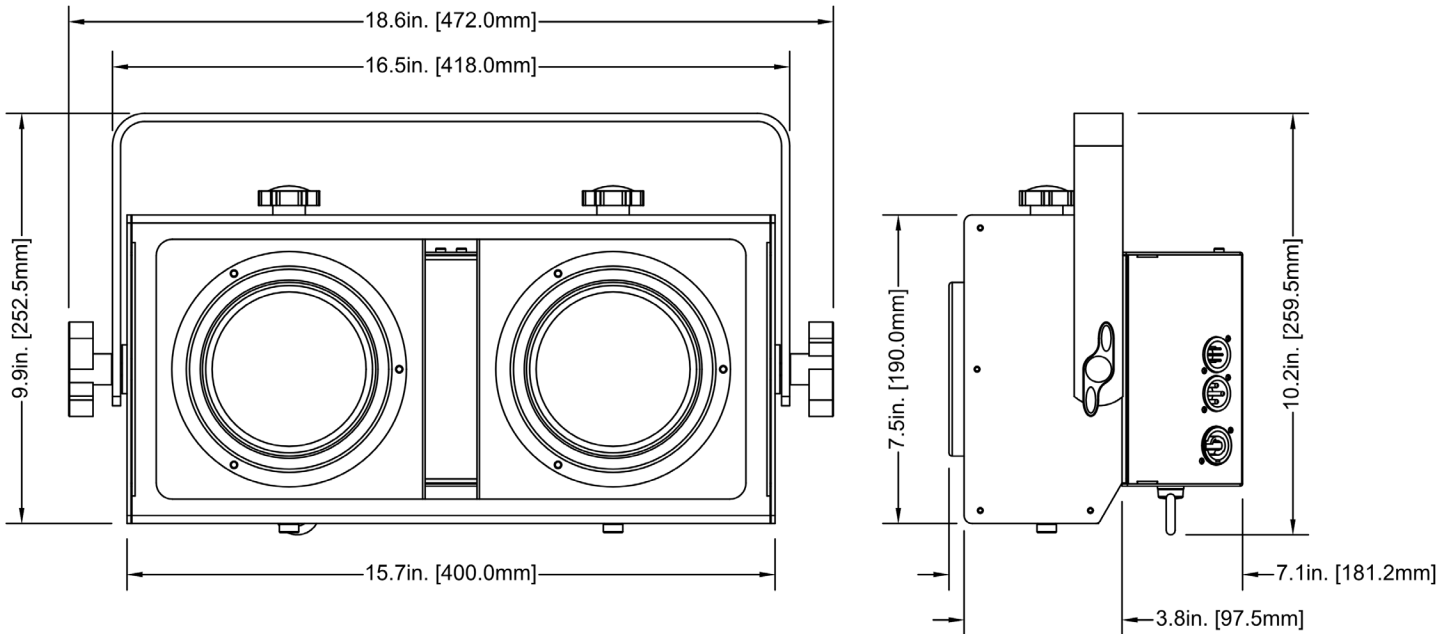


0 m / 0 ft 1 m / 3.3 ft 2 m / 6.6 ft 3 m / 9.8 ft 4 m / 13.1 ft 5 m / 16.4 ft

Max Beam Diameter

60° Beam Angle	Ø 1.4 m / Ø 4.4 ft	Ø 2.4 m / Ø 7.7 ft	Ø 3.5 m / Ø 11.3 ft	Ø 4.6 m / Ø 15.1 ft	Ø 5.8 m / Ø 18.9 ft
80° Field Angle	Ø 2.0 m / Ø 6.5 ft	Ø 3.4 m / Ø 11.0 ft	Ø 5.0 m / Ø 16.5 ft	Ø 6.7 m / Ø 22.0 ft	Ø 8.4 m / Ø 27.6 ft

DIMENSIONS



OPTIONAL ACCESSORIES

ORDER CODE	ITEM
TRIGGER CLAMP	Heavy Duty Wrap Around Hook Style Clamp
EWDMXSYSTEM	Wireless DMX System (1 Transmitter, 1 Receiver)
EWDMXT	Wireless DMX Transmitter
EWDMXR	Wireless DMX Receiver
PLC3	3' (1m) Power Link Cable
PLC6	6' (1.8m) Power Link Cable
AC3PDMX5PRO	5 ft. (1.5m) 3pin PRO DMX Cable
AC5PDMX5PRO	5 ft. (1.5m) 5pin PRO DMX Cable
	Additional Cable Lengths Available

FCC STATEMENT

This device complies with Part 15 of the FCC Rules. Operation is subject to the following two conditions: (1) this device may not cause harmful interference, and (2) this device must accept any interference received, including interference that may cause undesired operation.

FCC RADIO FREQUENCY INTERFERENCE WARNINGS & INSTRUCTIONS

This product has been tested and found to comply with the limits as per Part 15 of the FCC Rules. These limits are designed to provide reasonable protection against harmful interference in a residential installation. This device uses and can radiate radio frequency energy and, if not installed and used in accordance with the included instructions, may cause harmful interference to radio communications. However, there is no guarantee that interference will not occur in a particular installation. If this device does cause harmful interference to radio or television reception, which can be determined by turning the device off and on, the user is encouraged to try to correct the interference by one or more of the following methods:

- Reorient or relocate the device.
- Increase the separation between the device and the receiver.
- Connect the device to an electrical outlet on a circuit different from which the radio receiver is connected.
- Consult the dealer or an experienced radio/TV technician for help.

Europe Energy Saving Notice

Energy Saving Matters (EuP 2009/125/EC)

Saving electric energy is a key to help protecting the environment. Please turn off all electrical products when they are not in use. To avoid power consumption in idle mode, disconnect all electrical equipment from power when not in use. Thank you

