

# COLOUR PENDANT™

user manual

©2015 **ELATION PROFESSIONAL** all rights reserved. Information, specifications, diagrams, images, and instructions herein are subject to change without notice. ELATION PROFESSIONAL logo and identifying product names and numbers herein are trademarks of ELATION PROFESSIONAL. Copyright protection claimed includes all forms and matters of copyrightable materials and information now allowed by statutory or judicial law or hereinafter granted. Product names used in this document may be trademarks or registered trademarks of their respective companies and are hereby acknowledged. All non-ELATION brands and product names are trademarks or registered trademarks of their respective companies.

**ELATION PROFESSIONAL** and all affiliated companies hereby disclaim any and all liabilities for property, equipment, building, and electrical damages, injuries to any persons, and direct or indirect economic loss associated with the use or reliance of any information contained within this document, and/or as a result of the improper, unsafe, insufficient and negligent assembly, installation, rigging, and operation of this product.

**Elation Professional USA** | 6122 S. Eastern Ave. | Los Angeles, CA. 90040  
 323-582-3322 | 323-832-9142 fax | [www.elationlighting.com](http://www.elationlighting.com) | [info@elationlighting.com](mailto:info@elationlighting.com)

**Elation Professional B.V.** | Junostraat 2 | 6468 EW Kerkrade, The Netherlands  
 +31 45 546 85 66 | +31 45 546 85 96 fax | [www.elationlighting.eu](http://www.elationlighting.eu) | [info@elationlighting.eu](mailto:info@elationlighting.eu)

## DOCUMENT VERSION

 Please check [www.elationlighting.com](http://www.elationlighting.com) for the latest revision/update of this manual.

Date	Document Version	Software Version	DMX Channel Modes	Notes
8/18/15	1	≥1.00	1 MACS / 3 HSI / 4 HSI+ / 4 RGBW 5 RGBWi / 5 sRGBW / 6 sRGBWi 6 RGBWi+ / 7 fXHSl / 8 fXHSl+ / 10RGBWi+	Initial release.
10/20/15	2	≥1.05	1 MACS / 3 HSI / 4 HSI+ / 4 RGBW 5 RGBWi / 5 sRGBW / 6 sRGBWi 6 RGBWi+ / 7 fXHSl / 8 fXHSl+ / 10RGBWi+	Updated version, removed wireless CH15, added Wifly On/Off, and E-Fly set up instructions.

## CONTENTS

General Information	4
Warranty	6
Safety Instructions	7
General Guidelines	8
Fixture Overview	9
Fixture Installation	10
Fixture Menu	12
E-FLY Wireless DMX Set Up	16
DMX Channel Functions And Values	18
Cleaning and Maintenance	20
Technical Specifications	21
Optional Accessories	23

## **GENERAL INFORMATION**

### **INTRODUCTION**

Congratulations, you have just purchased one of the most innovative and reliable lighting fixtures on the market today! The fixture has been designed to perform reliably for years when the guidelines in this booklet are followed. Please read and understand the instructions in this manual carefully and thoroughly before attempting to operate this unit. These instructions contain important information regarding safety during use and maintenance.

### **UNPACKING**

Every fixture has been thoroughly tested and has been shipped in perfect operating condition. Carefully check the shipping carton for damage that may have occurred during shipping. If the carton appears to be damaged, carefully inspect your unit for damage and be sure all accessories necessary to operate the unit have arrived intact. In the event damage has been found or parts are missing, please contact our customer support team for further instructions. Please do not return this unit to your dealer without first contacting customer support at the number listed below. Please do not discard the shipping carton in the trash. Please recycle whenever possible.

### **BOX CONTENTS**

- (1) powerCON Cable

## **CUSTOMER SUPPORT**

Elation Professional® provides a customer support line, to provide set up help and to answer any question should you encounter problems during your set up or initial operation. You may also visit us on the web at [www.elationlighting.com](http://www.elationlighting.com) for any comments or suggestions. For service related issue please contact Elation Professional®.

### **ELATION SERVICE USA - Monday - Friday 8:00am to 5:00pm PST**

**Voice: 323-582-3322**

**Fax: 323-832-9142**

E-mail: [support@elationlighting.com](mailto:support@elationlighting.com)

### **ELATION SERVICE EUROPE - Monday - Friday 08:30 to 17:00 CET**

**Voice: +31 45 546 85 30**

**Fax: +31 45 546 85 96**

E-mail: [support@elationlighting.eu](mailto:support@elationlighting.eu)

## **WARRANTY REGISTRATION**

Please complete and mail in the enclosed warranty card or register online: <http://www.elationlighting.com/Login.aspx> All returned service items whether under warranty or not, must be freight pre-paid and accompany a return authorization (R.A.) number. The R.A. number must be clearly written on the outside of the return package. A brief description of the problem as well as the R.A. number must also be written down on a piece of paper and included in the shipping container. If the unit is under warranty, you must provide a copy of your proof of purchase invoice. Items returned without a R.A. number clearly marked on the outside of the package will be refused and returned at customer's expense. You may obtain a R.A. number by contacting customer support.

## **IMPORTANT NOTICE!**

**There are no user serviceable parts inside this unit. Do not attempt any repairs yourself; doing so will void your manufactures warranty. Damages resulting from modifications to this fixture and/or the disregard of safety and general user instructions found in this user manual void the manufactures warranty and are not subject to any warranty claims and/or repairs.**

## LIMITED WARRANTY

A. Elation Professional® hereby warrants, to the original purchaser, Elation Professional® products to be free of manufacturing defects in material and workmanship for a period of two years (730 days), and Elation Professional® product rechargeable batteries to be free of manufacturing defects in material and workmanship for a period of six months (180 days), from the original date of purchase. This warranty excludes discharge lamps and all product accessories. This warranty shall be valid only if the product is purchased within the United States of America, including possessions and territories. It is the owner's responsibility to establish the date and place of purchase by acceptable evidence, at the time service is sought.

B. For warranty service, send the product only to the Elation Professional® factory. All shipping charges must be pre-paid. If the requested repairs or service (including parts replacement) are within the terms of this warranty, Elation Professional® will pay return shipping charges only to a designated point within the United States. If any product is sent, it must be shipped in its original package and packaging material. No accessories should be shipped with the product. If any accessories are shipped with the product, Elation Professional® shall have no liability what so ever for loss and/or or damage to any such accessories, nor for the safe return thereof.

C. This warranty is void if the product serial number and/or labels are altered or removed; if the product is modified in any manner which Elation Professional® concludes, after inspection, affects the reliability of the product; if the product has been repaired or serviced by anyone other than the Elation Professional® factory unless prior written authorization was issued to purchaser by Elation Professional®; if the product is damaged because not properly maintained as set forth in the product instructions, guidelines and/or user manual.

D. This is not a service contract, and this warranty does not include any maintenance, cleaning or periodic check-up. During the periods as specified above, Elation Professional® will replace defective parts at its expense, and will absorb all expenses for warranty service and repair labor by reason of defects in material or workmanship. The sole responsibility of Elation Professional® under this warranty shall be limited to the repair of the product, or replacement thereof, including parts, at the sole discretion of Elation Professional®. All products covered by this warranty were manufactured after January 1, 1990, and bare identifying marks to that effect.

E. Elation Professional® reserves the right to make changes in design and/or performance improvements upon its products without any obligation to include these changes in any products theretofore manufactured.

F. No warranty, whether expressed or implied, is given or made with respect to any accessory supplied with the products described above. Except to the extent prohibited by applicable law, all implied warranties made by Elation Professional® in connection with this product, including warranties of merchantability or fitness, are limited in duration to the warranty periods set forth above. And no warranties, whether expressed or implied, including warranties of merchantability or fitness, shall apply to this product after said periods have expired. The consumer's and/or dealer's sole remedy shall be such repair or replacement as is expressly provided above; and under no circumstances shall Elation Professional® be liable for any loss and/or damage, direct and/or consequential, arising out of the use of, and/or the inability to use, this product.

G. This warranty is the only written warranty applicable to Elation Professional® products and supersedes all prior warranties and written descriptions of warranty terms and conditions heretofore published.

## SAFETY INSTRUCTIONS



This fixture is an extremely sophisticated piece of electronic equipment. To guarantee a smooth operation, it is important to follow the guidelines in this manual. The manufacturer of this device will not accept responsibility for damages resulting from the misuse of this fixture due to the disregard of the information printed in this manual.



This device falls under **PROTECTION CLASS 1**. It's essential this device be grounded properly. Only qualified personnel should perform all electrical connections.



**I N D O O R S U S E O N L Y !**  
**DO NOT EXPOSE FIXTURE RAIN AND MOISTURE!**



**UNPLUG POWER BEFORE SERVICING FIXTURE!**  
**DO NOT PLUG FIXTURE INTO A DIMMER PACK!**  
**NEVER TOUCH FIXTURE DURING OPERATION, AS IT MAY BE HOT!**



**NEVER LOOK DIRECTLY INTO THE LIGHT SOURCE!**  
**SENSITIVE PERSONS MAY SUFFER AN EPILEPTIC SHOCK!**

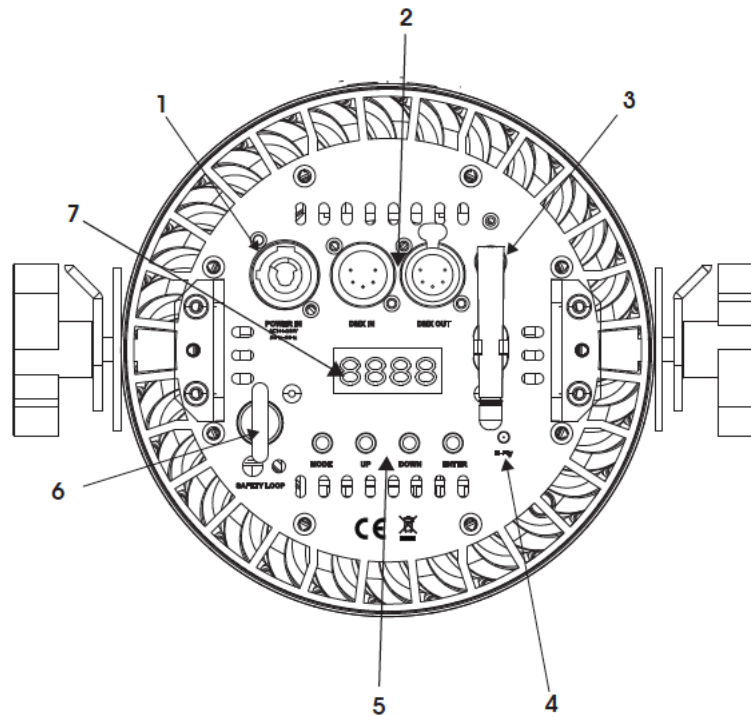
- For proper operation, follow the **Installation** guidelines described in this manual. Only qualified and certified personnel should perform installation of this fixture and only the original rigging parts (brackets) included with this fixture should be used for installation. Any modifications will void the original manufactures warranty and increase the risk of damage and/or personal injury.
- Never look directly into the light source of this fixture to prevent risk of injury to your retina, which may induce blindness. Those suffering from **EPILEPSY** should avoid looking directly into the light source of this unit at all times.
- The fan and air inlets must remain clean and never blocked. Allow approx. 6" (15cm) between this fixture and other devices or a wall for proper cooling.
- Always disconnect from main power source before performing any type of service and/or cleaning procedure. Only handle the power cord by the plug end, never pull out the plug by tugging the wire portion of the cord.
- Do not operate this fixture if the power cord has become frayed, crimped and/or damaged. If the power cord is damaged, replace it immediately with a new one of similar power rating.

## GENERAL GUIDELINES

- **NEVER OPEN THIS FIXTURE WHILE IN USE!**
- During the initial operation of this fixture, a light smoke or smell may emit from the interior of the fixture. This is a normal process and is caused by excess paint in the interior of the casing burning off from the heat associated with the lamp and will decrease gradually over time.
- This fixture is a professional lighting effect designed for **INDOOR / DRY LOCATIONS ONLY** on stage, in nightclubs, theatres, etc.
- Please make sure there are **NO FLAMMABLE MATERIALS** close to the fixture while operating, to prevent any fire hazard.
- The fixture must be installed in a location with adequate ventilation, at least 1.5 feet (.5m) from adjacent surfaces. Be sure no air ventilation slots are blocked.
- **DO NOT** attempt installation and/or operation without knowledge how to do so.
- **DO NOT** permit operation by persons who are not qualified to operate this type of fixture. Most damages are the result of operations by nonprofessionals.
- Consistent operational breaks may ensure the fixture will function properly for many years to come.
- **DO NOT** shake fixture, avoid brute force when installing and/or operating fixture.
- Always install the fixture with an appropriate safety cable. When installing the fixture in a suspended environment, always use mounting hardware that is no less than M10 x 25 mm, also be sure the hardware is insert in the pre-arranged screw holes in the bracket of the fixture.
- Use the original packaging and materials to transport the fixture in for service.
- **DO NOT TOUCH** the housing bare-hand during its operation. Turn OFF the power and allow approximately 15 minutes for the fixture to cool down before replacing or serving.



## FIXTURE OVERVIEW



1. powerCON IN
2. 5pin DMX IN/OUT
3. E-FLY Wireless DMX Antenna
4. E-FLY Signal Indicator
5. MODE, UP, DOWN, ENTER Buttons
6. Safety Cable Attachment Point
7. LCD MENU Control Display

## FIXTURE INSTALLATION



### **FLAMMABLE MATERIAL WARNING**

Keep fixture at least 5.0 ft. (1.5m) away from any flammable materials, decorations, pyrotechnics, etc.



### **ELECTRICAL CONNECTIONS**

A qualified electrician should be used for all electrical connections and/or installations.

## CAUTIONS

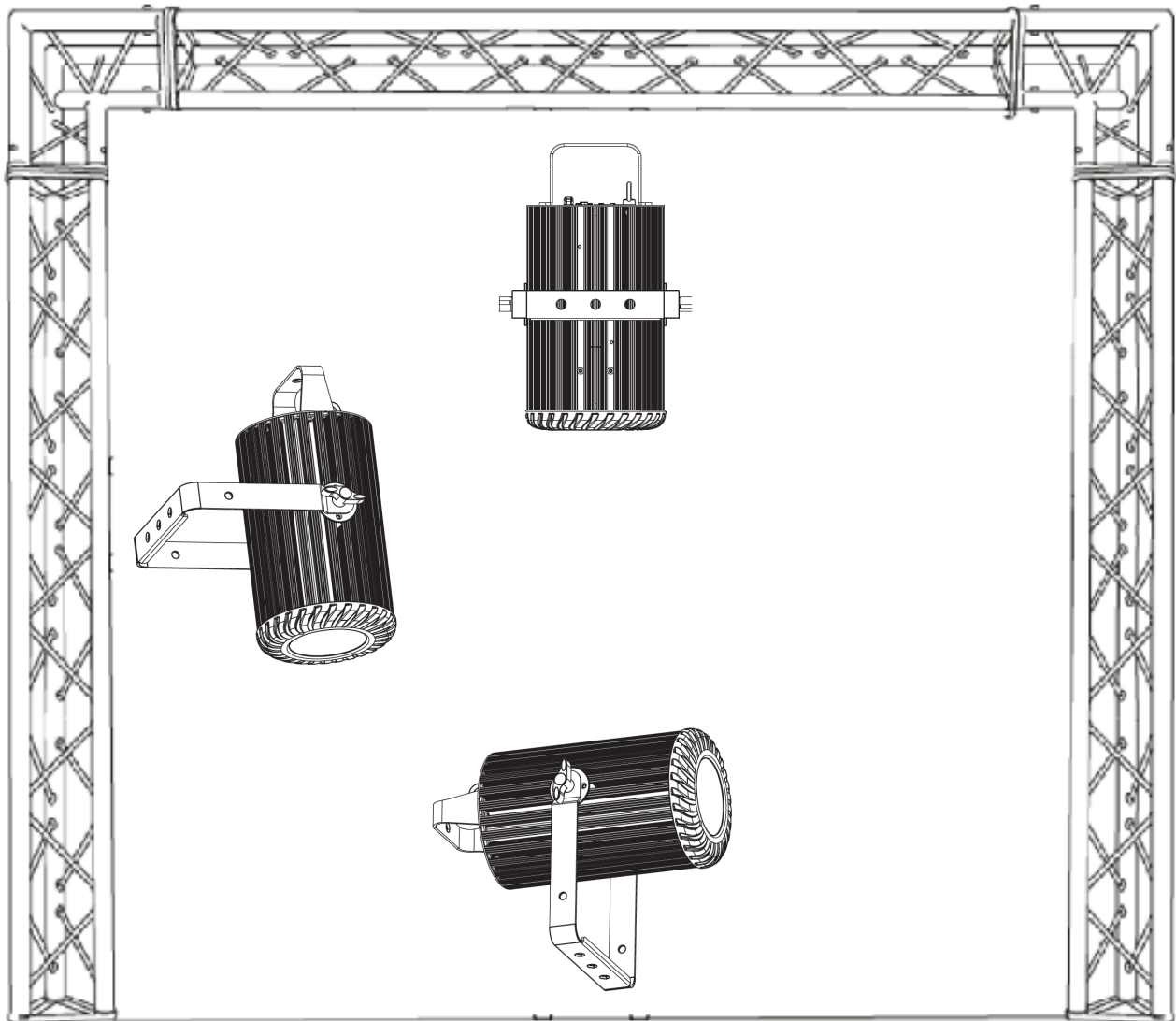
- For added protection, mount the fixture in areas outside walking paths, seating areas, or in areas where unauthorized personnel might reach the fixture.
- Ambient operating temperature range for this fixture is **5°F to 113°F (-15°C to 45°C)**. Do not use the fixture under or above this temperature.
- Before mounting the fixture to any surface, make sure the installation area can hold a minimum point load of 10 times the weight of the fixture.
- Fixture installation must always be secured with a secondary safety attachment, such as an appropriate safety cable.
- Never stand directly below the device when mounting, removing or servicing.

### **CLAMP MOUNTING**

The fixture provides an integrated yoke/rigging bracket. When mounting this fixture to truss be sure to secure an appropriately rated clamps to the yoke/rigging bracket using a M10 screw fitted through the center hole.

## MOUNTING POINTS

- Overhead mounting requires extensive experience, including amongst others calculating working load limits, installation material being used, and periodic safety inspection of all installation material and the device. If you lack these qualifications, do not attempt the installation yourself. Improper installation can result in bodily injury.
- Fixture is fully operational in the specific mounting positions as illustrated below.



## SAFETY CABLE

**ALWAYS USE A SAFETY CABLE WHENEVER INSTALLING THIS FIXTURE IN A SUSPENDED ENVIRONMENT TO ENSURE THE FIXTURE WILL NOT DROP IF THE CLAMP FAILS.**

# FIXTURE MENU

## ON-BOARD SYSTEM MENU

The fixture comes with an easy to navigate system menu. The next section will detail the functions of each command in the system menu.

## LCD MENU CONTROL PANEL

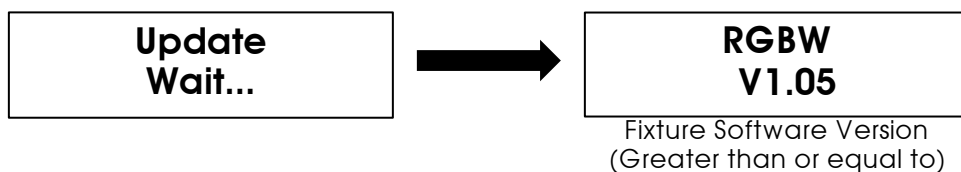
The control panel (see image below) located on the top of the fixture allows you to access the main menu and make all necessary adjustments to the fixture. During normal operation, pressing **MODE** button once will access the fixture’s main menu. Once in the main menu you can navigate through the different functions and access the sub-menus with the **UP**, and **DOWN** buttons. Once you reach a field that requires adjusting, press the **ENTER** button to activate that field and use the **UP** and **DOWN** buttons to adjust the field. Pressing the **ENTER** button once more will confirm your setting. You may exit the main menu at any time without making any adjustments by pressing the **MODE** button.

**NOTE:** the LCD Menu Control Display will shut OFF and lockout after 30 seconds of no use. Press and hold the **MODE** button for 10 seconds to unlock the LCD display.



## INFORMATION DISPLAYED DURING INITIAL POWER ON

When the fixture is initially powered ON, the display shows the following information:



**ELATION® COLOUR PENDANT™  
SYSTEM MENU**

Specifications are subject to change without any prior written notice. (Default Settings in **BOLD**)

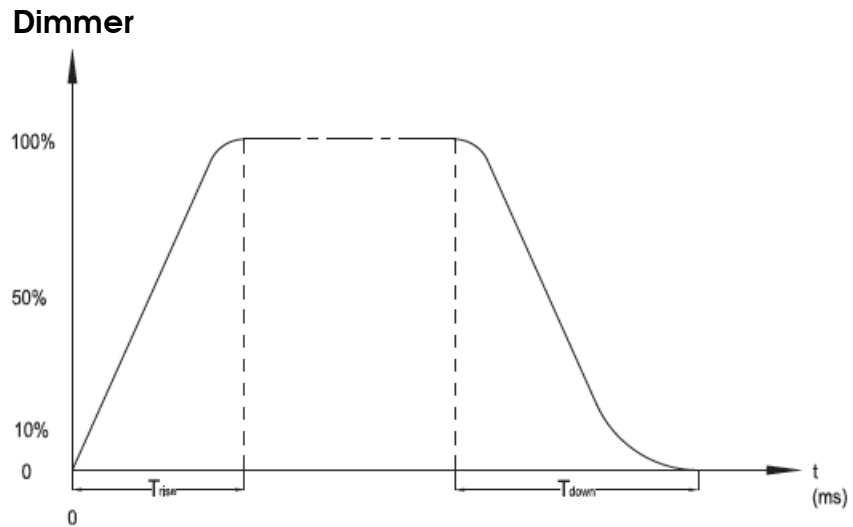
<b>MENU</b>	<b>OPTIONS / VALUES</b>	<b>DESCRIPTION</b>
CHANNEL	CH:1 MACS / 3 HSI / 4 HSI+ / <b>4 RGBW</b> 5 RGBWI / 5 sRGBW / 6 sRGBWI 6 RGBWI+ / 7 fXHSI / 8 fXHSI+ / 10RGBWI+	Set desired DMX Channel Mode.
DMX MODE ADDR:xxx	<b>ADDR:001</b> - 512	Set DMX Address.
SECONDARY M O D E	<b>Off</b> , On	Set unit to Secondary Mode.
Look Store :xx	<b>Store:01</b> -23	Select Internal Program Macro. See <b>INTERNAL MACRO MENU</b> for more details.
Frequenc xxxHz	<b>1200Hz</b> , 2400Hz, 4800Hz, 9600Hz	Set Frequency to eliminate camera flicker and glare.
Wireless CH:xx	CH:00-14	Set E-FLY Wireless DMX Channel. <b>MUST BE SET TO SAME CHANNEL OF TRANSMITTER TO RECEIVE WIRELESS SIGNAL.</b>
Reset?	<b>No</b> , Yes	Reset fixture back to default settings: <b>DMX MODE: 001</b> <b>CHANNEL: 4 RGBW</b> <b>NO DMX: Hold</b> <b>Look Store: 01</b> <b>Frequenc: 1200Hz</b>  <b>NOTE: Reset will NOT change Wireless Channel and Wifly modes.</b>
Manual	<b>R:000-255 G:000-255 B:000-255</b> <b>W:000-255 S:000-255</b>	Set RGBW and Strobe Values manually.
Wifly	Off, On	Turn E-Fly On/Off.
DimCurve	<b>Standard</b> , Stage, TV, Architec, Theatre	Set desired Dimming Curve.
NO DMX	<b>Hold</b> , Blackout, Look	Define how fixture reacts when NO DMX signal present.


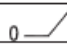
ELATION® COLOUR PENDANT™ INTERNAL MACRO MENU	
Specifications are subject to change without any prior written notice.	
MACRO	DESCRIPTION
Store 01	FULL Color Scroll (FAST Speed)
Store 02	FULL Color Scroll (MEDIUM Speed)
Store 03	FULL Color Scroll (SLOW Speed)
Store 04	WARM Color Scroll (FAST Speed)
Store 05	WARM Color Scroll (MEDIUM Speed)
Store 06	WARM Color Scroll (SLOW Speed)
Store 07	COOL Color Scroll (FAST Speed)
Store 08	COOL Color Scroll (MEDIUM Speed)
Store 09	COOL Color Scroll (SLOW Speed)
Store 10	RED
Store 11	PINK
Store 12	ORANGE
Store 13	LIGHT ORANGE
Store 14	YELLOW
Store 15	LIGHT YELLOW
Store 16	GREEN
Store 17	LIGHT GREEN
Store 18	CYAN
Store 19	LIGHT CYAN
Store 20	BLUE
Store 21	LIGHT BLUE
Store 22	WARM WHITE
Store 23	COOL WHITE

## DIMMING CURVES

The **DimCurve** menu allows you to select one of the following preset dimming curves: **Standard, Stage, TV, Architectural, Theatre, or Default.**

(See diagram below for more details)



Ramp Effect	 OS (Fade Time)		 1S (Fade Time)	
	T <sub>rise</sub> (ms)	T <sub>down</sub> (ms)	T <sub>rise</sub> (ms)	T <sub>down</sub> (ms)
Standard	0	0	0	0
Stage	780	1100	1540	1660
TV	1180	1520	1860	1940
Architectural	1380	1730	2040	2120
Theatre	1580	1940	2230	2280

## E - FLY WIRELESS DMX SET UP



**BEFORE SETTING THE WIRELESS CHANNEL ON ANY E-Fly™ COMPATIBLE FIXTURE, MAKE SURE THE SOURCE E-Fly™ WIRELESS DMX TRANSCEIVER DEVICE IS OFF.**

### TO RECEIVE WIRELESS E-FLY DMX SIGNAL

1. Make sure the source **E-FLY™** wireless DMX Transceiver device is powered **OFF**.
2. Power the fixture **ON** and set the wireless channel (**0-14**) in the **Wireless Menu** to the same wireless channel of the source **E-FLY™** DMX Transceiver network.
3. Turn wireless DMX to **ON** in the **Wifly Menu**.
4. Set the **DMX Channel Mode** in the **Channel Menu**.
5. Set fixture DMX address (**001-512**) in the **DMX Mode Menu**.

 **FIXTURE MUST BE IN DMX MODE MENU TO RECEIVE THE E-FLY™ WIRELESS SIGNAL.**

6. If a wireless DMX connection has been made with the fixture, the **E-FLY™** signal Indicator on the fixture will illuminate.
7. Repeat this process for all **E-FLY™** compatible fixtures in your **E-FLY™** wireless network, making sure all fixtures are assigned the same wireless channel (**0-14**) and **DMX Channel Mode**, wireless DMX is set to **ON**, and are all in **DMX Mode Menu**.
8. After all fixtures in your **E-FLY™** wireless network have been set and powered **ON**, then power **ON** the source **E-FLY™** DMX Transceiver device.



**Make sure NOT to navigate to any other System Menus on any of the fixtures in your E-FLY™ wireless network once you have established a wireless connection. Doing so will disrupt the wireless signal connection and the source E-Fly™ wireless DMX Transceiver device will require a power reset.**



## WIRELESS E-FLY INSTALLATION LOCATION GUIDELINES

Wireless DMX signal can penetrate walls, glass, metal, and most objects. However there are many factors that can affect and/or interrupt the wireless DMX signal, one of which is people. Therefore it is highly recommended to position the wireless antenna a minimum of 9.8 ft. (3m) above audiences and/or above ground level. Careful planning and testing of the selected installation location is critical to ensure optimum and reliable wireless DMX operation.

9.8 ft (3m)  
Above Ground



# DMX CHANNEL FUNCTIONS AND VALUES

ELATION® COLOUR PENDANT™

DMX Channel Values / Functions Version 1 (11 DMX Channels)

Specifications are subject to change without any prior written notice.

MODE / CHANNEL											VALUE	FUNCTION
1CH MACS	3 HSI	4 HSI+	4 RGBW	5 RGBWI	5 sRGBW	6 sRGBWi	6 RGBWi+	7 fXHSI	8 fXHSI+	10 RGBWi+		
1												<b>COLOR MACROS</b>
											0	OFF
											1-7	FULL Color Scroll (FAST Speed)
											8-15	FULL Color Scroll (MEDIUM Speed)
											16-25	FULL Color Scroll (SLOW Speed)
											26-29	WARM Color Scroll (FAST Speed)
											30-49	WARM Color Scroll (MEDIUM Speed)
											40-50	WARM Color Scroll (SLOW Speed)
											51-57	COOL Color Scroll (FAST Speed)
											58-65	COOL Color Scroll (MEDIUM Speed)
											66-73	COOL Color Scroll (SLOW Speed)
											74-84	RED
											85-91	PINK
											92-99	ORANGE
											100-109	LIGHT ORANGE
											110-118	YELLOW
											119-124	LIGHT YELLOW
											125-132	GREEN
											133-142	LIGHT GREEN
											143-150	CYAN
										151-158	LIGHT CYAN	
										159-165	BLUE	
										166-175	LIGHT BLUE	
										176-183	WARM WHITE	
										184-191	COOL WHITE	
										192-255	NO Function	
												<b>COLOR SPEED</b>
								1	1	7	0	Static
											1-255	Color Scroll SLOW to FAST
												<b>COLOR RANGE</b>
								2	2	8	0	FULL Spectrum
											1-255	Variable Limit of Spectrum Color Scrolling
												<b>COLOR STEPS</b>
								3	3	9	0-255	Variable Control of Smoothness of Color Scrolling

**ELATION® COLOUR PENDANT™**
**DMX Channel Values / Functions Version 1 (11 DMX Channels)**

Specifications are subject to change without any prior written notice.

MODE / CHANNEL											VALUE	FUNCTION
1CH MACS	3 HSI	4 HSI+	4 RGBW	5 RGBWI	5 sRGBW	6 sRGBWi	6 RGBWI+	7 fXHSI	8 fXHSI+	10 RGBWi+		
												<b>FLASH / STROBE</b>
											0-31	OFF
					1	1		4	4	6	32-95	Variable Strobe SLOW to FAST
											96-127	Fade ON, Fade OFF SLOW to FAST
											128-159	Fade ON, Snap OFF SLOW to FAST
											160-191	Snap ON, Fade OFF SLOW to FAST
											192-223	Random Strobe SLOW to FAST
											224-255	ON
	1	1						5	5			<b>HUE</b>
											0-255	0-100%
	2	2						6	6			<b>SATURATION</b>
											0-255	0-100%
	3	3						7	7			<b>INTENSITY</b>
											0-255	0-100%
			1	1	2	2	1			1		<b>RED</b>
											0-255	0-100%
			2	2	3	3	2			2		<b>GREEN</b>
											0-255	0-100%
			3	3	4	4	3			3		<b>BLUE</b>
											0-255	0-100%
			4	4	5	5	4			4		<b>WHITE</b>
											0-255	0-100%
				5		6	5			5		<b>MASTER DIMMER</b>
											0-255	Intensity 0 to 100%
		4					6		8	10		<b>DIMMING CURVE MODES</b>
											0-20	STANDARD
											21-40	STAGE
											41-60	TV
											61-80	ARCHITECTURAL
											81-100	THEATRE
											101-255	Default to Unit Setting

## CLEANING AND MAINTENANCE



**C A U T I O N**

**Disconnect power before cleaning or maintenance.**

### CLEANING

Frequent cleaning is recommended to insure proper function, optimized light output, and an extended life. The frequency of cleaning depends on the environment in which the fixture operates: damp, smoky or particularly dirty environments can cause greater accumulation of dirt on the fixture's optics.

- Clean the external lens surface at least every 20 days with a soft cloth to avoid dirt/debris accumulation.
- Never use alcohol, solvents, or ammonia based cleaners.

### MAINTENANCE

Regular inspections are recommended to insure proper function and extended life. There are no user serviceable parts inside this fixture, please refer all other service issues to an authorized Elation service technician. Should you need any spare parts, please order genuine parts from your local Elation dealer.

Please refer to the following points during routine inspections:

- A detailed electric check by an approved electrical engineer every three months, to make sure the circuit contacts are in good condition and prevent overheating.
- Be sure all screws and fasteners are securely tightened at all times. Loose screws may fall out during normal operation resulting in damage or injury as larger parts could fall.
- Check for any deformations on the housing, color lenses, rigging hardware and rigging points (ceiling, suspension, trussing). Deformations in the housing could allow for dust to enter into the fixture. Damaged rigging points or unsecured rigging could cause the fixture to fall and seriously injure a person(s).
- Electric power supply cables must not show any damage, material fatigue or sediments. Never remove the ground prong from the power cable.

# TECHNICAL SPECIFICATIONS

## SOURCE

(36) 3W RGBW LEDs

100,000 Hour Average LED Life\*

\*May vary depending on several factors including but not limited to:  
Environmental Conditions, Power/Voltage, Usage Patterns (On-Off Cycling), Control, and Dimming.

## EFFECTS

Strobe and Color Macros

Dimming : 0% - 100%

Selectable Dimming Curves

## CONTROL / CONNECTIONS

11 DMX Channel Modes (1 / 3 / 4x2 / 5x2 / 6x2 / 7 / 8 / 10)

Frequencies (1200Hz, 2400Hz, 4800Hz, 9600Hz)

4 Button Control Panel and LCD Menu Display

E-Fly™ High-Powered Wireless DMX Transceiver

5pin DMX In/Out

RDM (Remote Device Management)

powerCON Power In

## SIZE / WEIGHT

Length: 14.7" (374 mm)

Width: 9.9" (252.5 mm)

Horizontal Height: 12.0" (308.8 mm)

Weight: 14.0 lbs. (6.4 kg)

## ELECTRICAL / THERMAL

AC 100-240V - 50/60Hz

110W Max Power Consumption

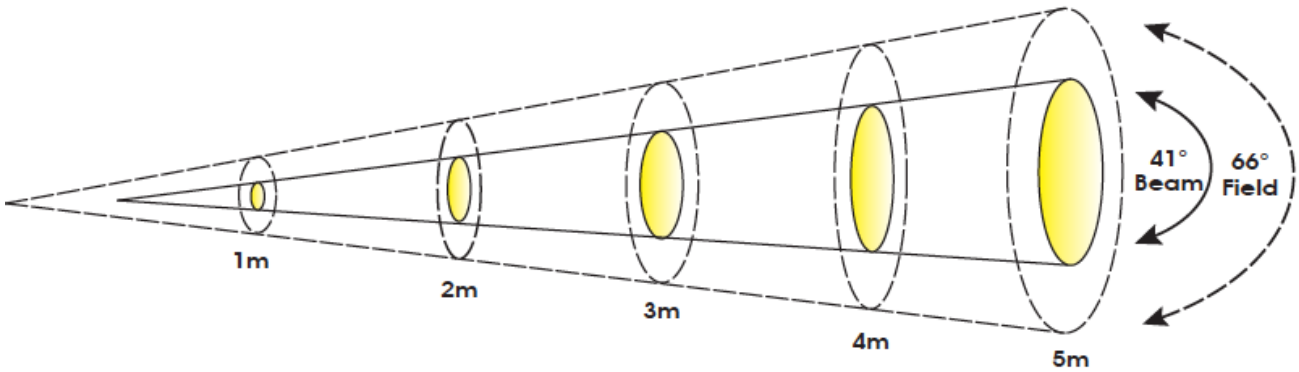
-14°F to 113°F (-10°C to 45°C)

## APPROVALS / RATINGS



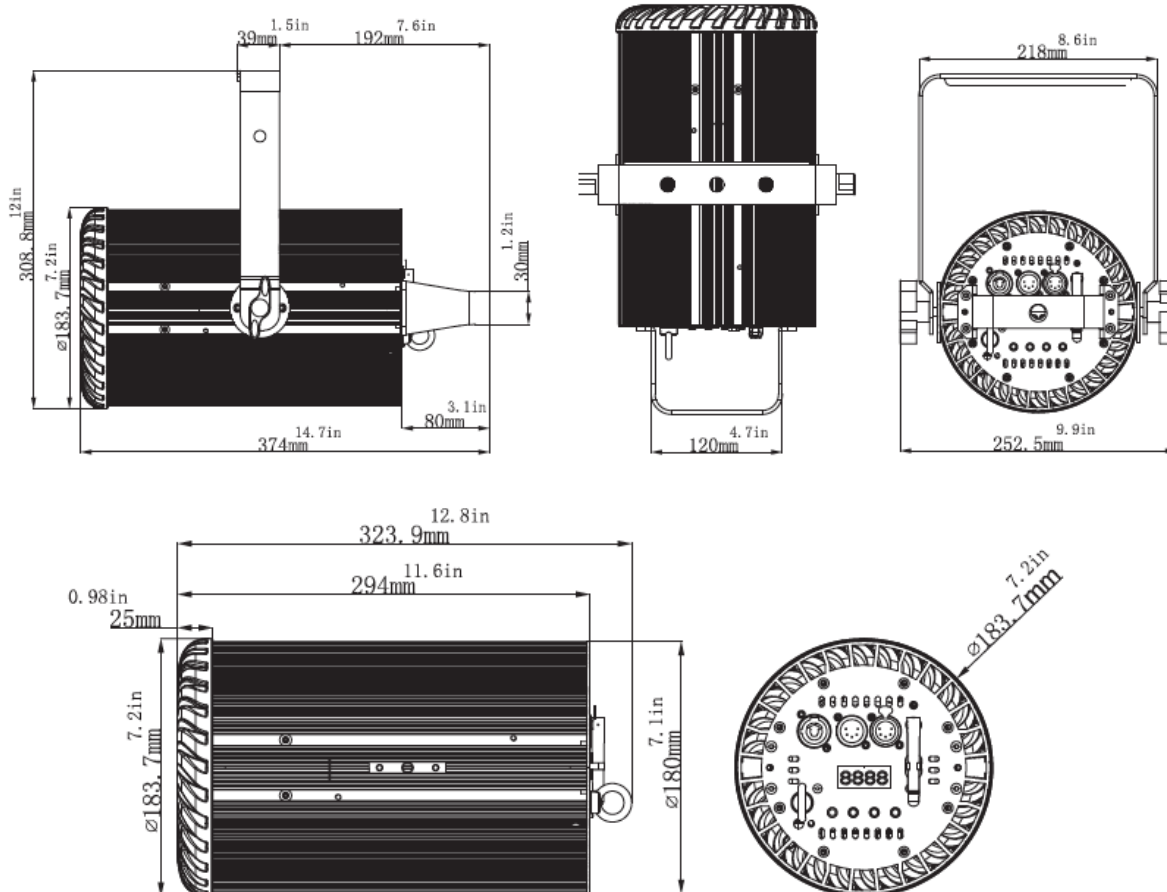
Please Note: Specifications and improvements in the design of this unit and this manual are subject to change without any prior written notice.

### PHOTOMETRIC DATA



Distance	1m	3.3 ft	2m	6.6ft	3m	9.8 ft	4m	13.1 ft	5m	16.4 ft
41° Beam Diameter	0.73	2.4	1.46	4.8	2.18	7.2	2.91	9.5	3.63	11.9
66° Field Diameter	1.27	4.2	2.55	8.4	3.82	12.5	5.1	16.7	6.37	20.9
<b>Photometrics</b>	<b>lux</b>	<b>fc</b>	<b>lux</b>	<b>fc</b>	<b>lux</b>	<b>fc</b>	<b>lux</b>	<b>fc</b>	<b>lux</b>	<b>fc</b>
RED LEDs	535	50	129	12	54	5	28	3	16	1
GREEN LEDs	620	58	167	16	74	7	40	4	23	2
BLUE LEDs	86	8	23	2	10	1	5	0	3	0
WHITE LEDs	4,029	374	1,114	103	494	46	280	26	179	17
FULL ON	3,650	339	1,020	95	458	43	255	24	164	15

### DIMENSIONAL DRAWINGS



Please Note: Specifications and improvements in the design of this unit and this manual are subject to change without any prior written notice.

## OPTIONAL ACCESSORIES

ORDER CODE	ITEM
COL110/ESK	Exterior Shroud Kit - BLACK
COL123/ESK	Exterior Shroud Kit - WHITE
TRIGGER CLAMP	Heavy Duty Wrap Around Hook Style Clamp
EFL001	E-FLY Wireless DMX Transceiver
AC5PDMX5PRO	5 ft. (1.5m) 5pin PRO DMX Cable
	Additional Cable Lengths Available

