



## CW PROFILE HP™

SKU# **CWP001**

The CW Profile HP™ Ellipsoidal features a High Power 130W Cool White >90CRI 5,600K LED engine producing 11,000+ total lumens, 19°, 26°, 36°, and 50° interchangeable lens options (sold separately), (4) blade manual framing shutters, supports B size metal or HT transparency gobos, manual focus, DMX controlled electronic strobe, 16bit dimming and selectable dimming curve modes, flicker free operation for TV and FILM, adjustable refresh frequency and gamma brightness, 3/5pin DMX and Locking Power Cable in/out connections, (4) button LCD control display panel, an integrated rigging yoke, quiet fan cooling, and a multi-voltage universal auto switching power supply (100-240v).



### FEATURES

**High Power 130W Cool White 5,600K LED Engine**

**>90CRI and 11,000+ Total Lumens Output**

**Interchangeable Lens Options\*\* 19°, 26°, 36°, 50°**

**(4) Blade Manual Framing Shutters**

**Supports B Size Metal or HT Transparency Gobos\*\*\***

**DMX Controlled Electronic Strobe and 16bit Dimming**

**Selectable Dimming Curve Modes**

**Flicker Free Operation for TV and FILM**

**Adjustable Refresh Frequency and Gamma Brightness**

**Quiet Fan Cooling**

**(\*\*sold separately)(\*\*\*gobos and holder not included)**



**PRODUCT SPECIFICATIONS**

**SOURCE**

High Power 130W Cool White 5,600K LED Engine  
50,000 Hour Average LED Life\*

\*LED Life may vary depending on several factors including but not limited to:  
Environmental Conditions, Power/Voltage, Usage Patterns (On-Off Cycling), Control and Dimming.

**PHOTOMETRIC DATA**

>90CRI | 11,000+ Total Lumens

**EFFECTS**

Electronic Strobe and 16bit Dimming  
Selectable Dimming Curve Modes

**GOBOS**

Supports "B" Size Metal, HT Transparency Gobos\*  
\*Gobos and Holder not included.

**CONTROL / CONNECTIONS**

2 DMX Channel Modes (1 / 4)  
Adjustable Refresh Rates  
Adjustable Gamma Brightness  
4 Button Control Panel / LED Menu Display  
3/5pin DMX In/Out / Locking Power Cable In/Out

**SIZE / WEIGHT**

Length: 24.3" (618mm) / 26.5" (674mm) Fully Extended  
Width: 12.2" (310mm)  
Vertical Height: 15.7" (398mm)  
Weight: 22 lbs. (10kg)

**ELECTRICAL / THERMAL**

Quiet Fan Cooling  
AC 100-240V - 50/60Hz  
160W Max Power Consumption  
14° to 113°F (-10° to 45°C)

**APPROVALS / RATINGS**



**INCLUDED ITEMS**

Locking Power Cable  
3pin DMX Cable

**LENS Options (sold separately)**

19°, 26°, 36°, 50°



**PHOTOMETRIC DATA (Lens sold separately)**

**19° LENS ZOOM IN @ FULL ON | 5,708K**

2m	6.6 ft	5 m	16.4 ft	7 m	23 ft	10 m	32.8 ft	15 m	49.2 ft	20 m	65.6 ft
lux	fc	lux	fc	lux	fc	lux	fc	lux	fc	lux	fc
40,778	3,788	6,525	606	3,329	309	1,631	152	725	67	408	38

**19° LENS ZOOM OUT @ FULL ON | 5,695K**

2m	6.6 ft	5 m	16.4 ft	7 m	23 ft	10 m	32.8 ft	15 m	49.2 ft	20 m	65.6 ft
lux	fc	lux	fc	lux	fc	lux	fc	lux	fc	lux	fc
36,633	3,403	5,861	544	2,990	278	1,465	136	651	60	366	34

**26° LENS ZOOM IN @ FULL ON | 5,648K**

2m	6.6 ft	5 m	16.4 ft	7 m	23 ft	10 m	32.8 ft	15 m	49.2 ft	20 m	65.6 ft
lux	fc	lux	fc	lux	fc	lux	fc	lux	fc	lux	fc
31,326	2,910	5,012	466	2,557	238	1,253	116	557	52	313	29

**26° LENS ZOOM OUT @ FULL ON | 5,703K**

2m	6.6 ft	5 m	16.4 ft	7 m	23 ft	10 m	32.8 ft	15 m	49.2 ft	20 m	65.6 ft
lux	fc	lux	fc	lux	fc	lux	fc	lux	fc	lux	fc
28,666	2,663	4,587	426	2,340	217	1,147	107	510	47	287	27

**36° LENS ZOOM IN @ FULL ON | 5,713K**

2m	6.6 ft	5 m	16.4 ft	7 m	23 ft	10 m	32.8 ft	15 m	49.2 ft	20 m	65.6 ft
lux	fc	lux	fc	lux	fc	lux	fc	lux	fc	lux	fc
21,951	1,621	3,512	379	1,792	167	878	97	390	46	220	29

**36° LENS ZOOM OUT @ FULL ON | 5,720K**

2m	6.6 ft	5 m	16.4 ft	7 m	23 ft	10 m	32.8 ft	15 m	49.2 ft	20 m	65.6 ft
lux	fc	lux	fc	lux	fc	lux	fc	lux	fc	lux	fc
11,909	1,621	1,905	379	972	167	476	97	212	46	119	29

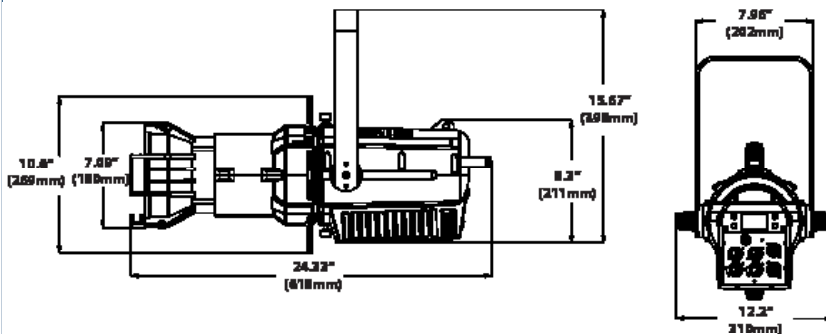
**50° LENS ZOOM IN @ FULL ON | 5,675K**

2m	6.6 ft	5 m	16.4 ft	7 m	23 ft	10 m	32.8 ft	15 m	49.2 ft	20 m	65.6 ft
lux	fc	lux	fc	lux	fc	lux	fc	lux	fc	lux	fc
13,104	1,621	2,097	379	1,070	167	524	97	233	46	131	29

**50° LENS ZOOM OUT @ FULL ON | 5,686K**

2m	6.6 ft	5 m	16.4 ft	7 m	23 ft	10 m	32.8 ft	15 m	49.2 ft	20 m	65.6 ft
lux	fc	lux	fc	lux	fc	lux	fc	lux	fc	lux	fc
7,015	1,621	1,122	379	573	167	281	97	125	46	70	29

**DIMENSIONAL DIAGRAM**



**OPTIONAL ACCESSORIES**

ORDER CODE	ITEM
<b>QUICK RIG CLAMP</b>	Low Profile Quick Release Clamp
<b>PHD019</b>	Profile High Definition Lens 19°
<b>PHD126</b>	Profile High Definition Lens 26°
<b>PHD236</b>	Profile High Definition Lens 36°
<b>PHD350</b>	Profile High Definition Lens 50°
<b>NEU088</b>	3 ft. (1m) Locking Power Link Cable
<b>AC3PDMX5PRO</b>	5 ft. (1.5m) 3pin PRO DMX Cable
<b>AC5PDMX5PRO</b>	5 ft. (1.5m) 5pin PRO DMX Cable



Specifications are subject to change without notice ©Elation Professional 02/15/21

Elation Professional USA | 6122 S. Eastern Ave. | Los Angeles, CA. 90040  
323-582-3322 | 323-832-9142 fax | www.elationlighting.com | info@elationlighting.com

Elation Professional B.V. | Junostraat 2 | 6468 EW Kerkrade, The Netherlands  
+31 45 546 85 66 | +31 45 546 85 96 fax | www.elationlighting.eu | info@elationlighting.eu