

ARENA ZOOM Q7IP™



The **ARENA ZOOM Q7IP™** an IP65 outdoor rated PAR fixture featuring (7) 30W Osram™ QUAD-Color RGBW LEDs, 7° to 40° motorized zoom, smooth color mixing, 38 color macros and variable speed macro effects, RGB white balance calibration, variable 3,200-10,000K color temperatures, selectable dimming curve effects, adjustable LED refresh rate and gamma brightness for flicker free operation for TV and FILM, DMX and RDM (remote device management) protocol support, IP rated 5pin DMX and Locking Power Cable in/out connections, 4 Button 180° Reversible OLED Menu Control Display, integrated dual rigging yoke/floor stand, a durable die-cast housing, multiple unit power linkable, and a multi-voltage universal auto switching power supply (100-240v).

FEATURES

IP65 Outdoor Rated Par Wash Luminaire

(7) 30W Osram™ Quad-Color RGBW LEDs

7° to 40° Motorized Zoom

38 Color Macros and Variable Speed Macro Effects

Variable 3,200-10,000K Color Temperatures

Selectable Dimming Curve Effects

Adjustable LED Refresh Rate and Gamma Brightness

Dual Rigging Yoke / Floor Strand

Durable Die-Cast Housing



Specifications are subject to change without notice ©Elation Professional 12/17/20

Elation Professional USA | 6122 S. Eastern Ave. | Los Angeles, CA. 90040
323-582-3322 | 323-832-9142 fax | www.elationlighting.com | info@elationlighting.com

Elation Professional B.V. | Junostraat 2 | 6468 EW Kerkrade, The Netherlands
+31 45 546 85 66 | +31 45 546 85 96 fax | www.elationlighting.eu | info@elationlighting.eu

PRODUCT SPECIFICATIONS

SOURCE

7x 30W Osram™ Quad-Color RGBW LEDs
30,000 Hour Average LED Life*

*LED Life may vary depending on several factors including but not limited to:
Environmental Conditions, Power/Voltage, Usage Patterns (On-Off Cycling), Control and Dimming.

PHOTOMETRIC DATA

3,200+ Total Lumen Output
Zoom Range 7° - 40°
Beam Angle: 8.8° - 36.5°
Field Angle: 13.9° - 53.6°

EFFECTS

Motorized Zoom
38 Color Macros and Variable Speed Macro Effects
Variable 3,200-10,000K Color Temperatures
Selectable Dimming Curve Effects

COLOR

RGBW

CONTROL / CONNECTIONS

(5) Multiple DMX Channel Modes (12 total channels)
Adjustable Refresh Rate (600-28,800 (Hz)
Adjustable Gamma Brightness (2.0, 2.2, 2.4, 2.8)
4 Button 180° Reversible OLED Menu Control Display
DMX and RDM Protocol Support
IP Rated 5pin DMX In/Out
Locking Power Cable In/Out
With Wired Digital Communication Network

SIZE / WEIGHT

Length: 12.4" (316mm)
Width: 9.6" (245mm)
Vertical Height: 7.8" (197mm)
Weight: 19.0 lbs. (8.6kg)

ELECTRICAL / THERMAL

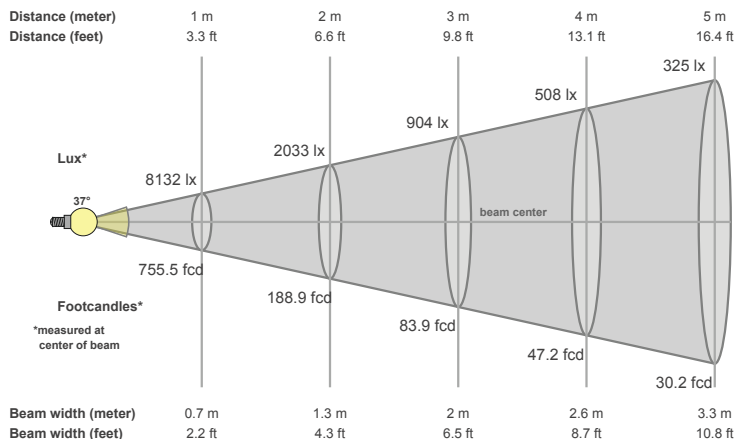
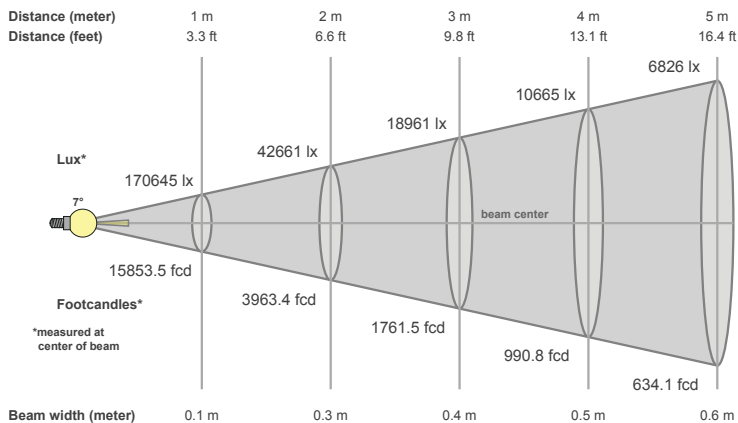
AC 100-240V - 50/60Hz
250W Max Power Consumption
14°F to 113°F (-10°C to 45°C)

APPROVALS / RATINGS

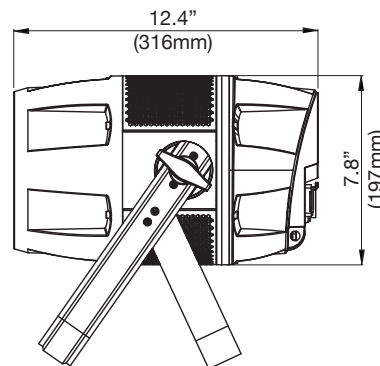
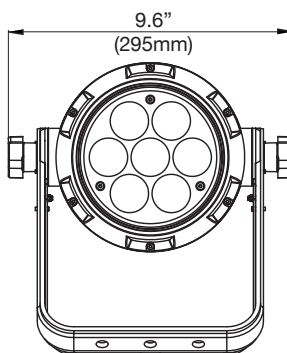
CE | IP65 | cETLus



PHOTOMETRIC DATA



DIMENSIONAL DRAWINGS



ORDERING INFORMATION

ARE725	ARENA ZOOM Q7IP
QUICK RIG CLAMP	Low Profile Quick Release Clamp
NEU088	3 ft. (1m) Power Link Cable
	Additional cable lengths available



Specifications are subject to change without notice ©Elation Professional 12/17/20

Elation Professional USA | 6122 S. Eastern Ave. | Los Angeles, CA. 90040
323-582-3322 | 323-832-9142 fax | www.elationlighting.com | info@elationlighting.com

Elation Professional B.V. | Junostraat 2 | 6468 EW Kerkrade, The Netherlands
+31 45 546 85 66 | +31 45 546 85 96 fax | www.elationlighting.eu | info@elationlighting.eu