

SIXPAR 300WMG



ELATION®



The IP65 outdoor rated **SIXPAR 300WMG** includes the same features as the standard SIXPAR 300IP model but with a special added White Marine Grade exterior coating designed for marine/coastal environment installations.

Featuring (18) 12W 6-in-1 RGBAW+UV LEDs producing a 15° beam angle, internal color and color chase macros, electronic strobe and variable dimming curve modes, manual and DMX-512 control, RDM (remote device management) support, dual yoke / floor stand, multiple unit power linking, rugged die-cast aluminum white marine grade coated exterior, flicker free operation for TV and FILM, and a multi-voltage universal auto switching power supply (110-250v).

FEATURES

- IP65 Outdoor Rated Par Luminaire
- Special White Marine Grade Exterior Coating
- Rugged Die-Cast Aluminum Exterior with Dual Yoke / Floor Stand
- (18) 12W 6-in-1 RGBAW+UV LEDs
- 15° Beam Angle
- 395nm UV Wavelength
- Electronic Strobe and Variable Dimming Curve Modes
- Manual and DMX-512 Control
- RDM (Remote Device Management) Support
- Multiple Unit Power Linking
- Proprietary IP Rated Power and Data In/Out Cables Attached
- Optional Extended Length Proprietary IP Rated Power and Data Linking Cables and In/Out Adapters Available



PRODUCT SPECIFICATIONS

SOURCE

(18) 12W 6-in-1 RGBAW+UV LEDs
 100,000 Hour Average LED Life*
 *May vary depending on several factors including but not limited to:
 Environmental Conditions, Power/Voltage, Usage Patterns (On-Off Cycling), Control, and Dimming.

PHOTOMETRIC DATA

24,500 LUX 2,276 FC @3.3' (1m) (15° Full ON)

EFFECTS

Electronic Strobe
 Variable Dimming Curves Modes
 Internal Color and Color Chase Macros

CONTROL / CONNECTIONS

Manual and DMX-512 Control
 (4) DMX Channel Modes (6 / 7 / 8 / 12)
 (4) Button Touch LCD Menu Display
 Proprietary IP Rated 3pin DMX In/Out Cables Attached
 Proprietary IP Rated 3pin Power In/Out Cable Attached
 With Wired Digital Communication Network

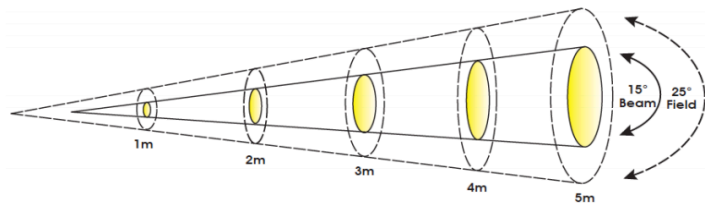
SIZE / WEIGHT

Length: 14.4" (365mm)
 Width: 4.9" (125mm)
 Vertical Height: 14.4" (365mm)
 Weight: 21.0 lbs. (9.5 kg)

ELECTRICAL / THERMAL

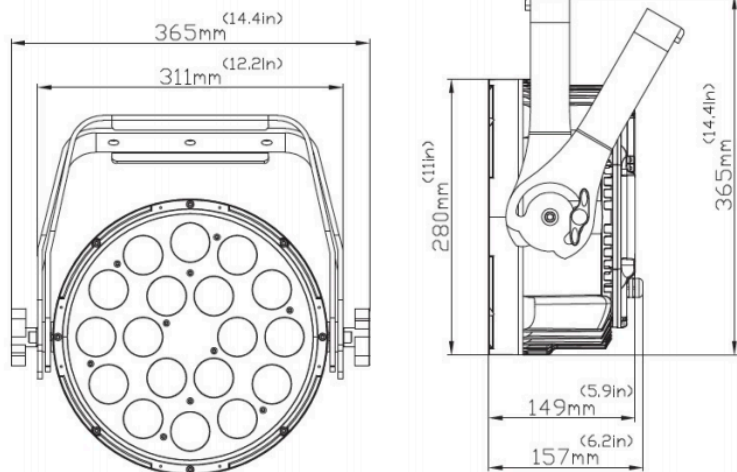
AC 110-250V - 50/60Hz
 220W Max Power Consumption
 Multiple Unit Power Linking
 5°F to 113°F (-15°C to 45°C)
 UV Wavelength: 395nm
 APPROVALS / RATINGS
 CE | cETLus | IP65

PHOTOMETRIC DATA



Distance	m 1	ft 3.3	m 2	ft 6.6	m 3	ft 9.8	m 4	ft 13.1	m 5	ft 16.4
15° Beam Diameter	0.4	1.3	0.64	2.1	0.85	2.8	1.05	3.4	1.32	4.3
25° Field Diameter	0.45	1.5	0.88	2.9	1.33	4.4	1.77	5.8	2.21	7.3
	lux	fc	lux	fc	lux	fc	lux	fc	lux	fc
RED LEDs	4,750	441	1,308	122	430	40	315	29	199	18
GREEN LEDs	8,400	780	2,170	202	1,000	93	554	51	360	33
BLUE LEDs	9,520	884	2,490	231	1,185	110	662	61	425	39
WHITE LEDs	10,860	1,009	2,930	272	1,363	127	753	70	491	46
AMBER LEDs	3,130	291	823	76	351	33	197	18	127	12
UV LEDs	1,920	178	510	47	240	22	131	12	85	8
FULL ON	24,500	2,276	8,500	790	3,950	367	2,150	200	1,350	125

DIMENSIONAL DRAWINGS



*DRAWINGS NOT TO SCALE

ORDERING INFORMATION

SIX076	Sixpar 300WMG
SIXPAR/2MDLC/WH	3.3 ft. (1m) White IP Data Link Cable
SIXPAR/2MPLC/WH	3.3 ft. (1m) White IP Power Link Cable
SIXPAR/2MDLC/WH	6.6 ft. (2m) White IP Data Link Cable
SIXPAR/2MDLC/WH	6.6 ft. (2m) White IP Power Link Cable
SIXPAR/5MDLC/WH	16.4 ft. (5m) White IP Data Link Cable
SIXPAR/5MPLC/WH	16.4 ft. (5m) White IP Power Link Cable
SIXPAR/10MDLC/WH	32.8 ft. (10m) White IP Data Link Cable
SIXPAR/10MPLC/WH	32.8 ft. (10m) White IP Power Link Cable
SIXPAR/20MDLC/WH	65.6 ft. (20m) White IP Data Link Cable
SIXPAR/20MPLC/WH	65.6 ft. (20m) White IP Power Link Cable
SIXPAR/DIAC/WH	White Data IN IP Adapter Cable
SIXPAR/DOAC/WH	White Data OUT IP Adapter Cable
SIXPAR/PIAC/WH	White Power IN IP Adapter Cable
SIXPAR/POAC/WH	White Power OUT IP Adapter Cable
SIXPAR/TERMINATOR/WH	White DMX Terminator End Cap

