



The SEVEN PAR 19IP™ is an IP65 outdoor rated seven color par wash luminaire with (19) 25W 7-in-1 RGBAW + Lime + UV LEDs (Red, Green, Blue, White, Amber, Lime, and a 395nm UV) producing 9,300 total output lumens and 90CRI. Features include individual hue, saturation, and intensity control, RGB + dynamic amber channel modes, 17° beam and 33° field angles, smooth color mixing, 12 internal programs with speed and fade control, 64 unique 7-color macros, selectable dimming curve modes, adjustable LED refresh rate and gamma brightness for flicker free operation for TV and FILM, DMX and RDM (Remote Device Management) protocol support, IP65 rated 5pin XLR and power in/out connections, dual adjustable yoke / floor stand, multiple unit power linking, OLED menu display with a 4-button control panel, a multi-voltage universal auto switching power supply (100-240v), and a rugged powder coated die-cast aluminum exterior. Gel frame and gel frame holder included, optional 4-leaf barn door available.

FEATURES

- IP65 Outdoor Rated Seven Color Par Wash Luminaire**
- (19) 25W 7-in-1 RGBAW + Lime + UV (395nm) LEDs**
- 9,300 Total Output Lumens | 90CRI**
- Individual Hue, Saturation, and Intensity Control**
- RGB + Dynamic Amber Channel Modes**
- 17° Beam and 33° Field Angles**
- Smooth Color Mixing**
- 12 Internal Programs with Speed and Fade Control**
- 64 Unique 7-Color Macros**
- Selectable Dimming Curve Modes**
- Adjustable LED Refresh Rate + Gamma Brightness**
- Flicker Free Operation for TV and FILM**
- DMX and RDM Protocol Support**
- IP65 Rated 5pin DMX and Power In/Out**
- Dual Adjustable Yoke / Floor Stand**
- Multiple Unit Power Linking**
- Rugged Powder Coated Die-Cast Aluminum Exterior**
- Gel Frame and Gel Frame Holder Included**
- Optional 4-Leaf Barn Door Available**



PRODUCT SPECIFICATIONS

SOURCE

(19) 25W 7-IN-1 RGBAW + Lime + UV (395nm) LEDs
50,000 Hour Average LED Life*

*May vary depending on several factors including but not limited to: Environmental Conditions, Power/Voltage, Usage Patterns (On-Off Cycling), Control and Dimming.

PHOTOMETRIC DATA

9,300 Total Output Lumens | 90CRI
10,551 LUX 981 FC @6.6' (2m) (Full ON)

EFFECTS

Individual Hue, Saturation, and Intensity Control
RGB + Seven Color 3 Channel DMX Mode
12 Internal Program Macros w/Speed and Fade Control
64 Unique 7-Color Macros
Selectable Dimming Curve Effects

COLOR

RGBAW + Lime + UV (395nm)

CONTROL / CONNECTIONS

(7) DMX Channel Modes (15 total channels)
DMX and Manual Control
4 Button Control Panel
180° Reversible OLED Menu Display
Adjustable Refresh Rate (900-25,000 (Hz)
Adjustable Gamma Brightness (2.0, 2.2, 2.4, 2.8)
RDM (Remote Device Management) Protocol Support
IP65 5pin DMX and Power In/Out

SIZE / WEIGHT

Length: 14.0" (357mm)
Width: 14.6" (371mm)
Vertical Height: 11.2" (284mm)
Weight: 25.0 lbs. (11.3kg)

ELECTRICAL / THERMAL

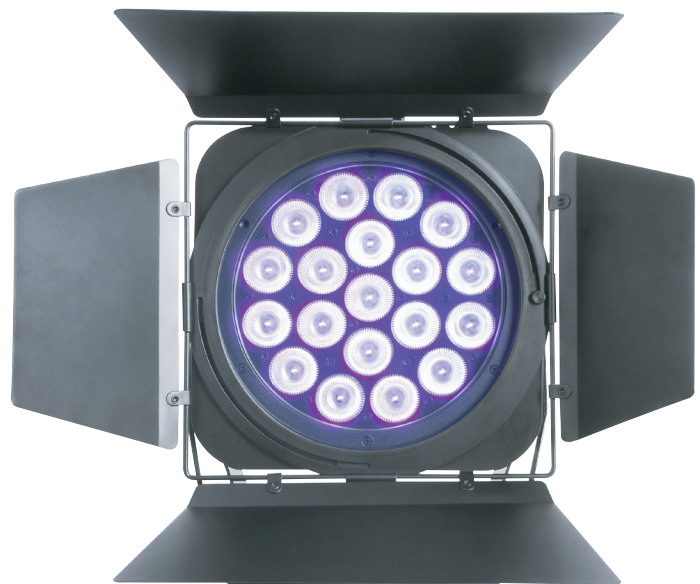
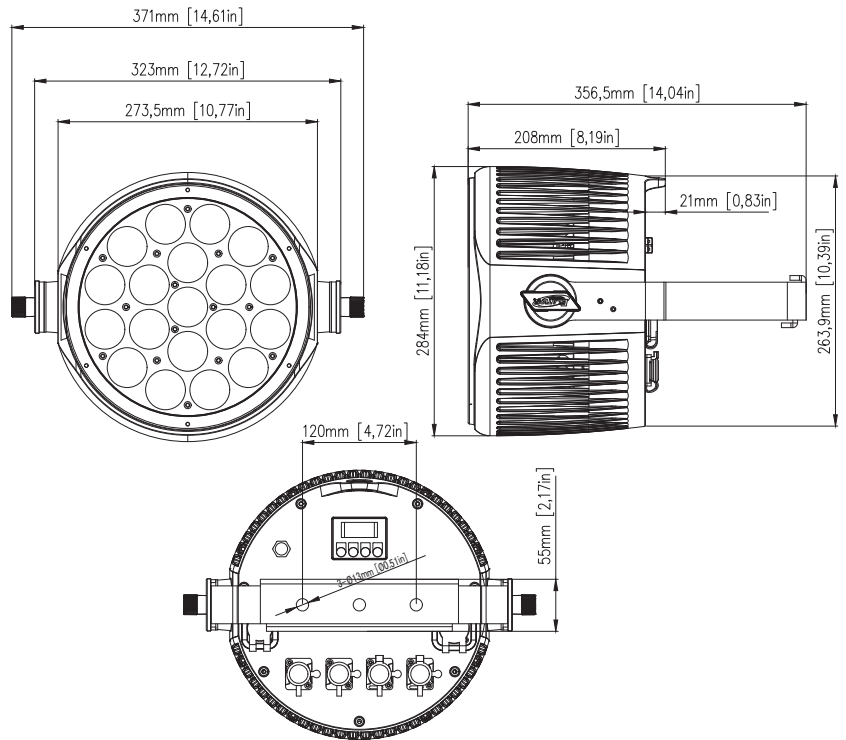
AC 100-240V - 50/60Hz
500W Max Power Consumption
5°F to 113°F (-15°C to 45°C)

APPROVALS / RATINGS

CE | cETLus | IP65



DIMENSIONAL DIAGRAMS



Optional 4-Leaf Barn Door

ORDERING INFORMATION

SEV019	SEVEN PAR 191P™
QUICK RIG CLAMP	Low Profile Quick Release Clamp
SIXPAR/BD300	Barn Door for SEVEN PAR 191P
STR514	3 ft. (1m) IP65 Seetronic 5pin XLR Cable
NEU088	3 ft. (1m) Power Link Cable
	Additional cable lengths available



Specifications are subject to change without notice ©Elation Professional 09/15/20

Elation Professional USA | 6122 S. Eastern Ave. | Los Angeles, CA. 90040
323-582-3322 | 323-832-9142 fax | www.elationlighting.com | info@elationlighting.com

Elation Professional B.V. | Junostraat 2 | 6468 EW Kerkrade, The Netherlands
+31 45 546 85 66 | +31 45 546 85 96 fax | www.elationlighting.eu | info@elationlighting.eu