



RAYZOR Q7™

SKU# RAY047

The Rayzor Q7™ features (7) 15W Osram Quad Color RGBW LEDs, a 7° beam, high speed 3-phase pan/tilt motors, electronic strobe and 0-100% dimming, (4) independent LED zones for dynamic visual effects, flicker free operation for TV and FILM, RDM (Remote Device Management) support, 5pin DMX and power in/out connections, (7) button touch control panel, 210W max power consumption, and a multi-voltage universal auto switching power supply (120-240v). Optional accessories including a diffusion filter and a snoot lens cover.



FEATURES

- (7) 15W QUAD Color RGBW LEDs**
- 7° Beam**
- High Speed 3-Phase Pan/Tilt Motors**
- (4) Independent LED Zones Control**
- Electronic Strobe (1-18 fps) and Dimming (0-100%)**
- Flicker Free Operation for TV and FILM**
- RDM (Remote Device Management) Support**
- 140W Max Power Consumption**
- Optional Diffusion Filter and Snoot Lens Cover Available**



PRODUCT SPECIFICATIONS

SOURCE

(7) 15W QUAD Color LEDs
100,000 Hour Average LED Life*

*LED Life may vary depending on several factors including but not limited to: Environmental Conditions, Power/Voltage, Usage Patterns (On-Off Cycling), Control and Dimming.

PHOTOMETRIC DATA

15,500 LUX 1,440 FC @8.2' (2.5M)

EFFECTS

(4) Independent LED Zones Control
Color and Chase Macros
Electronic Strobe (1-18 fps)
Electronic Dimming: 0% - 100%

COLOR

RGBW Color Mixing
Variable Color Temperature Presets (2700K - 8000K)

CONTROL / CONNECTIONS

(3) DMX Channel Modes (15 / 17 / 29)
(7) Button Control Panel
Full Color 180° Reversible LCD Menu Display
16-bit 3-Phase Pan/Tilt Motors
5pin DMX In/Out
Power In/Out

SIZE / WEIGHT

Length: 11.6" (295mm)
Width: 10.9" (276mm)
Vertical Height: 16.6" (421mm)
Weight: 22.0 lbs. (10 kg)

ELECTRICAL / THERMAL

AC 100-240V - 50/60Hz
140W Max Power Consumption

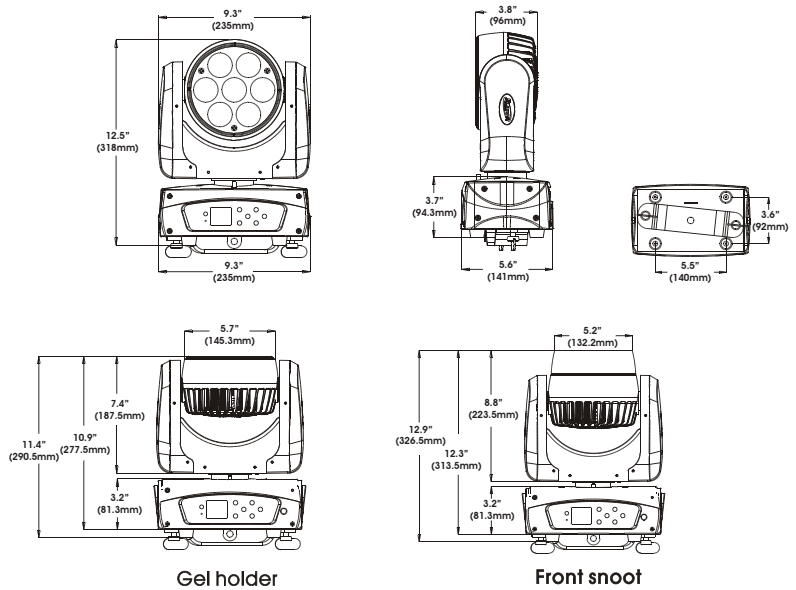
APPROVALS / RATINGS



PHOTOMETRIC DATA

	2.5	8.2 ft	5 m	16.4 ft	7.5 m	24.6 ft
7° Beam	0.3	1.0	0.6	2.0	0.9	3.0
13° Field	0.58	1.9	1.16	3.8	1.74	5.7
	lux	fc	lux	fc	lux	fc
RED LEDs	2,817	262	756	70	295	27
GREEN LEDs	6,650	618	1,768	164	768	71
BLUE LEDs	910	85	250	23	108	10
WHITE LEDs	8,963	833	2,310	215	1,001	93
FULL ON	15,500	1,440	3,920	364	1,743	162

DIMENSIONAL DIAGRAM



OPTIONAL ACCESSORIES

ORDER CODE	ITEM
TRIGGER CLAMP	Heavy Duty Wrap Around Hook Style Clamp
RAY047-SNOOT	Snoot Lens Cover
RAY047-GFH	Diffusion Filter Cover
AC5PDMX5PRO	5 ft. (1.5m) 5pin PRO DMX Cable
	Additional Cable Lengths Available



RAY047-GFH
DIFFUSION HOLDER
FOR RAYZOR Q7



RAY047-SNOOT
SNOOT FOR
RAYZOR Q7

