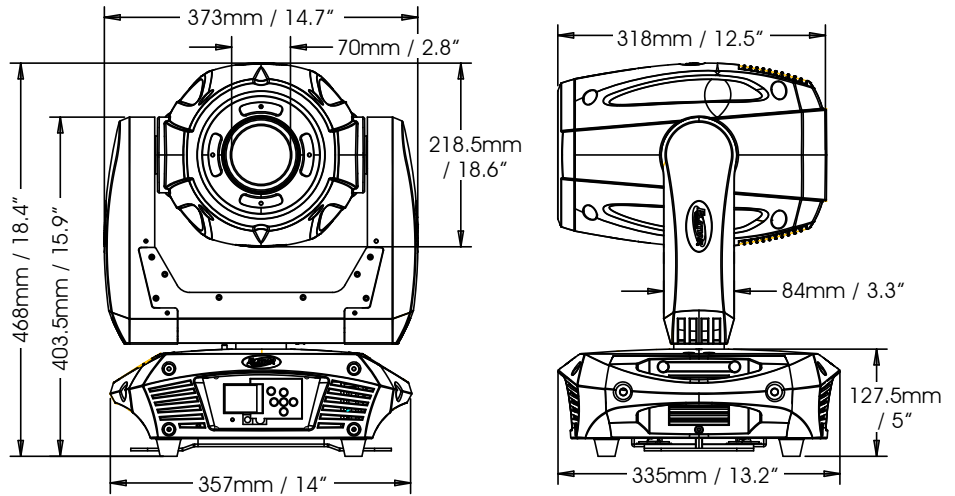


PLATINUM SPOT LED



- . LED Lamp Source with Comparable Output to 250 Discharge
- . Nearly 1/2 Power Consumption of 250
- . Improved Optics and Flat Beam Field
- . 50,000 Hour Solid State LED Lamp Source Life
- . cETLus approved

COLORS 8 Dichroic Colors

GOBOS 14 Gobos
7 Rotating / Indexing Replaceable Gobos
7 Replaceable Static Gobos

SPECIAL EFFECTS 3 Facet, 3D Rotating / Indexing Prisms and Frost Filter
Motorized Iris
Motorized Focus

SHUTTER/DIMMER Variable speed Shutter / Strobe
Smooth Electronic Dimmer 0-100%

LIGHT SOURCE Lamp: LED 90W CRI 70 6,500K
7,478 lux / 695 fc @ 10'

OPTICAL SYSTEM 16° beam angle

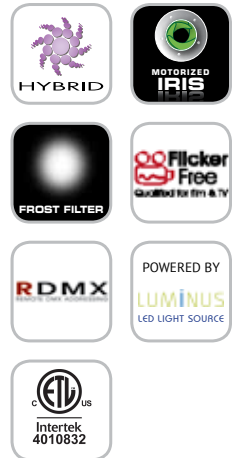
MOVEMENT Pan/Tilt: 540/630 x 265

CONTROL 16 Channels DMX
3-pin & 5-pin DMX

POWER SUPPLY 240W MAX / 120v-240V 50/60hz

DIMENSIONS (LxWxH) 16.75" x 16.75" x 19.75" / 425 x 425 x 502 mm

Weight 48.5lbs / 22 kg



Colors



Rotating Gobos



Static Gobos



www.elationlighting.com

Toll Free (866) 245-6726

Specifications are preliminary & are subject to change without notice
©Elation Professional • Los Angeles, Ca USA • Kerckade, Netherlands

PLATINUM SPOT LED

The chart below details the channel layout for 16 DMX channels (default).

In 8bit mode the "Pan Fine" and "Tilt Fine" channels are not used, thus converting the fixture into a 14-channel DMX fixture. In extended mode the fixture will use 20 DMX channels.

Ch	1	2	3	4	5	6	7	8	9	10	11	12	13	14	15	16
1	Run	Pan High Resolution	Tilt	Tilt High Resolution	Color	Red-Gobo	Gobo Rotation	Fixed Gobo	Prism/Prism-PROSS	Prism-rotation	Focus	Strobe	Dimming	Stk	Scan speed	Auto Program
2	Pan Fine	Pan Low Resolution	Tilt Fine	Tilt Low Resolution	Color	Red-Gobo	Gobo Rotation	Fixed Gobo	Prism/Prism-PROSS	Prism-rotation	Focus	Strobe	Dimming	Stk	Scan speed	Auto Program
3	Pan Fine	Pan Low Resolution	Tilt Fine	Tilt Low Resolution	Color	Red-Gobo	Gobo Rotation	Fixed Gobo	Prism/Prism-PROSS	Prism-rotation	Focus	Strobe	Dimming	Stk	Scan speed	Auto Program
4	Pan Fine	Pan Low Resolution	Tilt Fine	Tilt Low Resolution	Color	Red-Gobo	Gobo Rotation	Fixed Gobo	Prism/Prism-PROSS	Prism-rotation	Focus	Strobe	Dimming	Stk	Scan speed	Auto Program
5	Pan Fine	Pan Low Resolution	Tilt Fine	Tilt Low Resolution	Color	Red-Gobo	Gobo Rotation	Fixed Gobo	Prism/Prism-PROSS	Prism-rotation	Focus	Strobe	Dimming	Stk	Scan speed	Auto Program
6	Pan Fine	Pan Low Resolution	Tilt Fine	Tilt Low Resolution	Color	Red-Gobo	Gobo Rotation	Fixed Gobo	Prism/Prism-PROSS	Prism-rotation	Focus	Strobe	Dimming	Stk	Scan speed	Auto Program
7	Pan Fine	Pan Low Resolution	Tilt Fine	Tilt Low Resolution	Color	Red-Gobo	Gobo Rotation	Fixed Gobo	Prism/Prism-PROSS	Prism-rotation	Focus	Strobe	Dimming	Stk	Scan speed	Auto Program
8	Pan Fine	Pan Low Resolution	Tilt Fine	Tilt Low Resolution	Color	Red-Gobo	Gobo Rotation	Fixed Gobo	Prism/Prism-PROSS	Prism-rotation	Focus	Strobe	Dimming	Stk	Scan speed	Auto Program
9	Pan Fine	Pan Low Resolution	Tilt Fine	Tilt Low Resolution	Color	Red-Gobo	Gobo Rotation	Fixed Gobo	Prism/Prism-PROSS	Prism-rotation	Focus	Strobe	Dimming	Stk	Scan speed	Auto Program
10	Pan Fine	Pan Low Resolution	Tilt Fine	Tilt Low Resolution	Color	Red-Gobo	Gobo Rotation	Fixed Gobo	Prism/Prism-PROSS	Prism-rotation	Focus	Strobe	Dimming	Stk	Scan speed	Auto Program
11	Pan Fine	Pan Low Resolution	Tilt Fine	Tilt Low Resolution	Color	Red-Gobo	Gobo Rotation	Fixed Gobo	Prism/Prism-PROSS	Prism-rotation	Focus	Strobe	Dimming	Stk	Scan speed	Auto Program
12	Pan Fine	Pan Low Resolution	Tilt Fine	Tilt Low Resolution	Color	Red-Gobo	Gobo Rotation	Fixed Gobo	Prism/Prism-PROSS	Prism-rotation	Focus	Strobe	Dimming	Stk	Scan speed	Auto Program
13	Pan Fine	Pan Low Resolution	Tilt Fine	Tilt Low Resolution	Color	Red-Gobo	Gobo Rotation	Fixed Gobo	Prism/Prism-PROSS	Prism-rotation	Focus	Strobe	Dimming	Stk	Scan speed	Auto Program
14	Pan Fine	Pan Low Resolution	Tilt Fine	Tilt Low Resolution	Color	Red-Gobo	Gobo Rotation	Fixed Gobo	Prism/Prism-PROSS	Prism-rotation	Focus	Strobe	Dimming	Stk	Scan speed	Auto Program
15	Pan Fine	Pan Low Resolution	Tilt Fine	Tilt Low Resolution	Color	Red-Gobo	Gobo Rotation	Fixed Gobo	Prism/Prism-PROSS	Prism-rotation	Focus	Strobe	Dimming	Stk	Scan speed	Auto Program
16	Pan Fine	Pan Low Resolution	Tilt Fine	Tilt Low Resolution	Color	Red-Gobo	Gobo Rotation	Fixed Gobo	Prism/Prism-PROSS	Prism-rotation	Focus	Strobe	Dimming	Stk	Scan speed	Auto Program



REAR



ADDRESS



FUNCTION

Platinum Spot LED Photometric Beam Angle Data

Standard 16° Beam Angle

$$\text{LUX} \times 0.0929 = \text{FC}$$

6123 FC / 65910 LUX 1506 FC / 16210 LUX 695 FC / 7478 LUX

