



## PLATINUM SPOT 35 PRO™

SKU# ESP863

The new Platinum Spot 35 PRO™ features an 800W Platinum 35 lamp, motorized 8° to 50° zoom and focus, bi-directional animation, 3 facet rotating prism and frost effects, high speed mechanical shutter, strobe, and iris, (8) colors including UV, CTO, plus CTB and white, CMY color mixing, (12) interchangeable, rotating, indexing glass gobos, internal EWDMX wireless DMX receiver, remote device management protocol support, 3pin and 5pin DMX in/out and powerCON in connections, (6) button touch control panel, 1,200W max power consumption, and a multi-voltage universal auto switching power supply (120-240v).



### FEATURES

**800W Platinum 35 Lamp**

**1,200W Comparable Lumens Output**

**8° to 50° Motorized Zoom and Focus**

**Bi-Directional Animation, 3-Facet Prism and Frost Effects**

**(8) Colors Including UV, plus White**

**CMY Color Mixing and CTO / CTB Color Correction**

**(12) Interchangeable, Rotating, Indexing, Glass Gobos**

**High Speed Mechanical Shutter, Strobe, and Iris**

**Internal EWDMX Wireless DMX Receiver**

**Remote Device Management Protocol Support**



Specifications are subject to change without notice ©Elation Professional | 05.18.15

Elation Professional USA | 6122 S. Eastern Ave. | Los Angeles, CA. 90040  
323-582-3322 | 323-832-9142 fax | www.elationlighting.com | info@elationlighting.com

Elation Professional B.V. | Junostraat 2 | 6468 EW Kerkrade, Netherlands  
+31 45 546 85 66 | +31 45 546 85 96 fax | www.elationlighting.eu | info@elationlighting.eu

**PRODUCT SPECIFICATIONS**

**SOURCE**

800-Watt Platinum 35 Lamp  
 >20,000 Lumens, 7,800k, > 75 CRI  
 750 Hour Average Life

**PHOTOMETRIC DATA**

76,880 LUX 7,142 FC @16.4ft (5m) (8° Min Zoom Full ON)  
 2,725 LUX 253 FC @16.4ft (5m) (50° Max Zoom Full ON)

**EFFECTS**

Bi-Directional Animation Effect  
 3-Facet Rotating-Indexing Prism and Frost Filter  
 Mechanical Dimming: 0% - 100%  
 High Speed Mechanical Shutter / Strobe / Iris

**COLOR**

8 Interchangeable Dichroic Colors Including UV  
 CMY Color Mixing  
 CTO & CTB Color Correction

**GOBOS**

(2) Rotating Gobo Wheels  
 (12) Interchangeable / Rotating / Indexing Glass Gobos

**CONTROL / CONNECTIONS**

(3) DMX Channel Modes (27 / 29 / 41)  
 6 Button Touch Control Panel  
 Full Color 180° Reversible LCD Menu Display  
 16 Bit Resolution Adjustable Movement  
 3pin and 5pin DMX In/Out  
 powerCON Power In

**SIZE / WEIGHT**

Length: 17.6" (447mm)  
 Width: 20.0" (507mm)  
 Vertical Height: 28.6" (727mm)  
 Weight: 79.0 lbs. (36 kg)

**ELECTRICAL / THERMAL**

AC 100-240V - 50/60Hz  
 1,200W Max Power Consumption  
 14°F to 113°F (-10°C to 45°C)

**APPROVALS / RATINGS**

CE | cETLus | RoHs | IP20

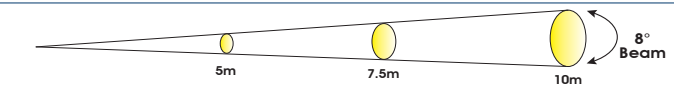
**INSTALLATION**

Rigging: Clamps (Not Included)  
 Working Position: Flat Surface / Inverted (180°)

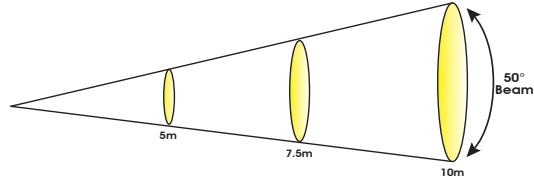
**INCLUDED ITEMS**

(2) Omega Brackets, (1) 3pin DMX Cable  
 (1) Safety Cable. (1) powerCON Cable

**PHOTOMETRIC DATA**



MIN ZOOM	m		ft		m		ft		m		ft			
	Distance	5	16.4	7.5	24.6	10	32.8	8° Beam Diameter	0.7	2.3	1.05	3.4	1.4	4.6
Photometrics	lux	fc	lux	fc	lux	fc	lux	fc	lux	fc	lux	fc	lux	fc
FULL ON	76,880	7,142	33,500	3,112	18,750	1,742								



MAX ZOOM	m		ft		m		ft		m		ft			
	Distance	5	16.4	7.5	24.6	10	32.8	50° Beam Diameter	4.66	15.3	6.99	22.9	9.33	30.6
Photometrics	lux	fc	lux	fc	lux	fc	lux	fc	lux	fc	lux	fc	lux	fc
FULL ON	2,725	253	1,290	120	812	75								

**COLORS AND GOBOS\***

\*Not To Scale - For Illustrations Purposes Only - Subject To Change Without Notice

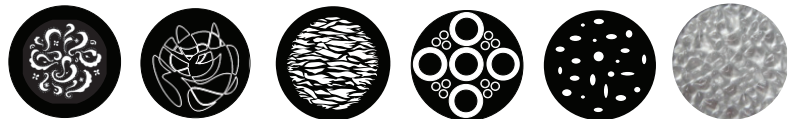
**COLOR WHEEL 1**



**COLOR FLAGS**

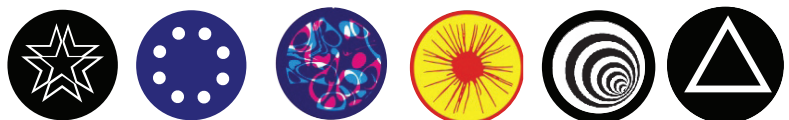


**ROTATING - INTERCHANGEABLE GOBO WHEEL 1 - OD: Ø28.8mm\*\***



ID: Ø 25mm ID: Ø 24mm ID: Ø 24mm ID: Ø 24mm ID: Ø 24mm ID: Ø n/a  
 Pos. 1 Pos. 2 Pos. 3 Pos. 4 Pos. 5 Pos. 6

**ROTATING - INTERCHANGEABLE GOBO WHEEL 2 - OD: Ø28.8mm\*\***



ID: Ø 25mm ID: Ø 24mm ID: Ø 24mm ID: Ø 24mm ID: Ø 24mm ID: Ø 24mm  
 Pos. 1 Pos. 2 Pos. 3 Pos. 4 Pos. 5 Pos. 6

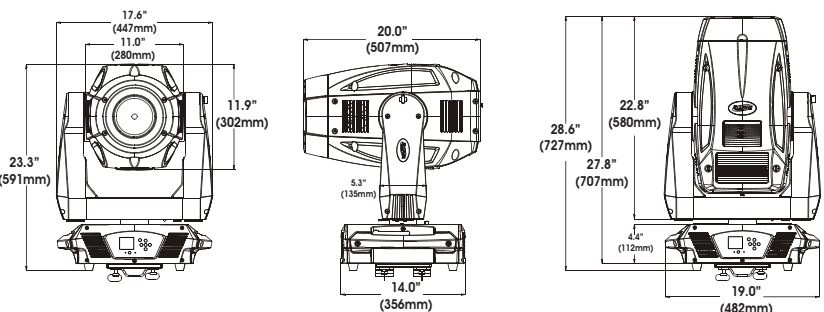
**\*\*IMPORTANT NOTICE REGARDING GOBO DIMENSIONS AND CUSTOM GOBOS**

OD = Outside Diameter | ID = Image Diameter  
 Due to varying manufacturing processes, it is highly recommended to provide a gobo and holder sample from the fixture to 3rd party custom gobo vendors for accurate sizing.

**OPTIONAL ACCESSORIES**

ORDER CODE	ITEM
TRIGGER CLAMP	Heavy Duty Wrap Around Hook Style Clamp
DRC35TOUR	Road Case For Platinum Spot 35 PRO™
EWDMXSYSTEM	Wireless DMX System (Transmitter & Receiver)
AC3PDMX5PRO	5 ft. (1.5m) 3pin PRO DMX Cable
AC5PDMX5PRO	5 ft. (1.5m) 5pin PRO DMX Cable
	Additional cable lengths available

**DIMENSIONAL DIAGRAMS**



Specifications are subject to change without notice ©Elation Professional | 05.18.15

Elation Professional USA | 6122 S. Eastern Ave. | Los Angeles, CA. 90040  
 323-582-3322 | 323-832-9142 fax | www.elationlighting.com | info@elationlighting.com

Elation Professional B.V. | Junostraat 2 | 6468 EW Kerkrade, Netherlands  
 +31 45 546 85 66 | +31 45 546 85 96 fax | www.elationlighting.eu | info@elationlighting.eu