

Platinum 1200 Wash™



The Platinum 1200 Wash™ is an extremely bright LED color wash moving head luminaire with (19) 60W Osram™ Multi-Chip RGBW LEDs, which produces color washes on par with 1500W discharge fixtures. Features include 8° to 77° motorized zoom, advanced cooling and movement control, 8/16-bit color mixing, full pixel and pixel ring control, adjustable linear color temperature (2,700K - 8,000K), electronic strobe, pulse, and selectable dimming curve effects, adjustable LED refresh rate and gamma brightness for flicker free operation for TV and FILM, DMX, RDM (Remote Device Management), Art-NET, and sACN protocol support, power 32A power in, 5pin XLR and RJ45 ethernet in/out connections, (6) button full color 180° reversible control menu display, and a multi-voltage universal auto switching power supply (100-240v).

FEATURES

High Power RGBW Color Wash Moving Head Luminaire

Color Output on Par with 1500W Discharge Fixtures

Advanced Cooling and Movement Control Systems

(19) 60W Osram™ Multi-Chip LEDs (RGBW)

8° - 77° Beam Angle Zoom

RGBW Color Mixing, Full Pixel and Pixel Ring Control

Linear Color Temperature Presets (2,700 - 8,000K)

Color-Pixel Ring, Color Preset, and Chase Macro Effects

Electronic Strobe and Selectable Dimming Curve Modes

Adjustable LED Refresh Rate Frequency and GAMMA

Flicker Free Operation for TV and FILM

DMX, RDM, Art-NET and sACN Protocol Support



PRODUCT SPECIFICATIONS

SOURCE

(19) 60W Osram™ Multi-Chip LEDs
50,000 Hour Average LED Life*

*LED Life may vary depending on several factors including but not limited to: Environmental Conditions, Power/Voltage, Usage Patterns (On-Off Cycling), Control and Dimming.

PHOTOMETRIC DATA

41,730 LUX 3,877 FC @16.4' (5m) (8° Min Zoom) Full ON
3,637 LUX 338 FC @16.4' (5m) (77° Max Zoom) Full ON

EFFECTS

8° - 77° Beam Angle Zoom
Linear Color Temperature Presets (2,700 - 8,000K)
RGBW Color Mixing, Pixel and Pixel Ring Control
Color-Pixel Ring, Color Preset, and Chase Macros
Electronic Strobe and Selectable Dimming Curves

COLOR

RGBW

CONTROL / CONNECTIONS

(3) DMX Channel Modes (93 total channels)
Adjustable Refresh Rate (900-25,000 (Hz)
Adjustable Gamma Brightness (2.0, 2.2, 2.4, 2.8)
(6) Button Touch Control Panel
8 / 16 Bit Resolution Adjustable Movement
DMX, RDM, Art-NET and sACN Protocol Support
Full Color 180° Reversible LCD Menu Display
5pin XLR DMX In/Out
RJ45 ethernet In/Out
power 32A Power In

SIZE / WEIGHT

Length: 21.0" (533mm)
Width: 16.1" (410mm)
Vertical Height: 25.9" (658mm)
Weight: 86.0 lbs. (39 kg)

ELECTRICAL / THERMAL

AC 100-240V - 50/60Hz
2000W Max Power Consumption
14°F to 113°F (-10°C to 45°C)

APPROVALS / RATINGS



PHOTOMETRIC DATA

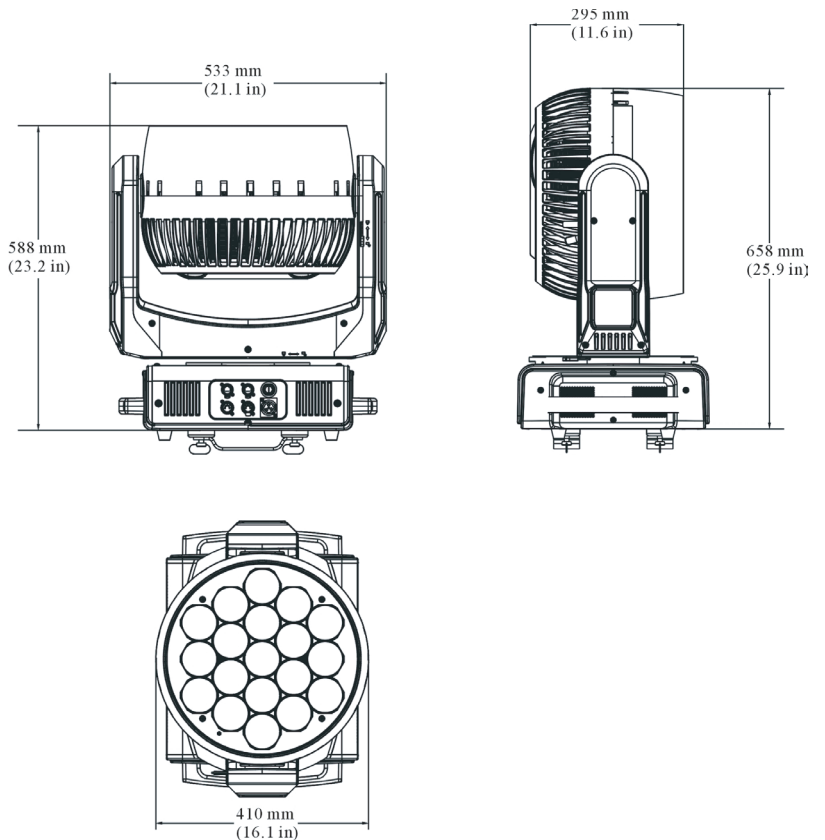
MIN ZOOM - 8° Beam Diameter

	5 m	16.4 ft	7.5 m	24.6 ft	10 m	32.8 ft	15 m	49.2 ft
Beam Diameter	0.7	2.3	1.05	3.4	1.4	4.6	2.1	6.9
	lux	fc	lux	fc	lux	fc	lux	fc
RED	7,079	658	3,604	335	1,860	173	825	77
GREEN	16,640	1,546	7,703	716	4,252	395	1,890	176
BLUE	1,970	183	1,525	142	879	82	437	41
WHITE	23,700	2,202	10,070	936	6,126	569	2,795	260
FULL ON	41,730	3,877	20,700	1,923	11,210	1,041	5,285	491

MAX ZOOM - 77° Beam Diameter

	5 m	16.4 ft	7.5 m	24.6 ft	10 m	32.8 ft	15 m	49.2 ft
Beam Diameter	3.5	11.5	7	23.0	14	0.0	21	68.9
	lux	fc	lux	fc	lux	fc	lux	fc
RED	535	50	173	16	54	5	26	2
GREEN	1,297	120	389	36	120	11	58	5
BLUE	158	15	82	8	28	3	11	1
WHITE	1,897	176	568	53	178	17	86	8
FULL ON	3,637	338	1,085	101	343	32	168	16

DIMENSIONAL DIAGRAMS



ORDERING INFORMATION

EAD582	Platinum 1200 Wash
TRIGGER CLAMP	Heavy Duty Wrap Around Hook Style Clamp
*** TBA ***	Touring Road Case For Platinum 1200 Wash
AC5PDMX5PRO	5 ft. (1.5m) 5pin PRO DMX Cable
CAT6PRO5	5 ft. (1.5m) CAT6 Ethernet Cable
	Additional cable lengths available