

# PLATINUM HFX™

user manual

**©2018 ELATION PROFESSIONAL** all rights reserved. Information, specifications, diagrams, images, and instructions herein are subject to change without notice. ELATION PROFESSIONAL logo and identifying product names and numbers herein are trademarks of ELATION PROFESSIONAL. Copyright protection claimed includes all forms and matters of copyrightable materials and information now allowed by statutory or judicial law or hereinafter granted. Product names used in this document may be trademarks or registered trademarks of their respective companies and are hereby acknowledged. All non-ELATION brands and product names are trademarks or registered trademarks of their respective companies.

**ELATION PROFESSIONAL** and all affiliated companies hereby disclaim any and all liabilities for property, equipment, building, and electrical damages, injuries to any persons, and direct or indirect economic loss associated with the use or reliance of any information contained within this document, and/or as a result of the improper, unsafe, insufficient and negligent assembly, installation, rigging, and operation of this product.

**Elation Professional USA** | 6122 S. Eastern Ave. | Los Angeles, CA. 90040  
323-582-3322 | 323-832-9142 fax | [www.elationlighting.com](http://www.elationlighting.com) | [info@elationlighting.com](mailto:info@elationlighting.com)

**Elation Professional B.V.** | Junostraat 2 | 6468 EW Kerkrade, The Netherlands  
+31 45 546 85 66 | +31 45 546 85 96 fax | [www.elationlighting.eu](http://www.elationlighting.eu) | [info@elationlighting.eu](mailto:info@elationlighting.eu)

**Elation Professional Mexico** | AV Santa Ana 30 | Parque Industrial Lerma, Lerma, Mexico 52000  
+52 (728) 282-7070

**D O C U M E N T V E R S I O N**

Due to additional product features and/or enhancements, an updated version of this document may be available online.

Please check [www.elationlighting.com](http://www.elationlighting.com) for the latest revision/update of this manual, before beginning installation and/or programming.

Date	Document Version	Software Version ≥	DMX Channel Modes	Notes
12/1/15	1	1.3.1	17 / 19 / 26	Updated with new installation warning regarding min distance to objects/surfaces and max external surface temperature.
07/24/16	2	1.3.3	NO CHANGE	Updated 14R lamp life from 1,500 to 2,000 hours, updated Error Code section, added ETL control # and Art-Net network switch note.
01/27/17	3	1.3.5	NO CHANGE	Added sACN support.
07/14/17	4	1.3.5	NO CHANGE	Flipped Rotating Gobo order #6 & #7, replaced Static Gobos #5 & #8.
01/31/18	4.1	1.4.0	NO CHANGE	Added Auto to Display Reverse sub menu in System Menu.
12/05/18	4.2	N/C	NO CHANGE	Updated release.
12/07/20	4.3	1.4.1	NO CHANGE	Updated primary/secondary modes

# CONTENTS

General Information	4
Limited Warranty (USA Only)	5
Safety Guidelines	6
Discharge Lamp Warning	8
Maintenance Guidelines	9
Fixture Overview	10
Lamp Installation	11
Installation Guidelines	17
System Menu	21
DMX Channel Functions And Values	29
Error Codes	34
Specifications	38
Optional Accessories	41

# GENERAL INFORMATION

## INTRODUCTION

Please read and understand the instructions in this manual carefully and thoroughly before attempting to operate this device. These instructions contain important safety and use information.

## UNPACKING

Every device has been thoroughly tested and has been shipped in perfect operating condition. Carefully check the shipping carton for damage that may have occurred during shipping. If the carton is damaged, carefully inspect the device for damage, and be sure all accessories necessary to install and operate the device have arrived intact. In the event damage has been found or parts are missing, please contact our customer support team for further instructions. Please do not return this device to your dealer without first contacting customer support. Please do not discard the shipping carton in the trash. Please recycle whenever possible.

## BOX CONTENTS

Power Cable  
Omega Brackets (x2)

## CUSTOMER SUPPORT

Contact ELATION Service for any product related service and support needs. Also visit [forums.elationlighting.com](http://forums.elationlighting.com) with questions, comments or suggestions.

**ELATION SERVICE USA - Monday - Friday 8:00am to 4:30pm PST**  
323-582-3322 | Fax 323-832-9142 | [support@elationlighting.com](mailto:support@elationlighting.com)

**ELATION SERVICE EUROPE - Monday - Friday 08:30 to 17:00 CET**  
+31 45 546 85 63 | Fax +31 45 546 85 96 | [support@elationlighting.eu](mailto:support@elationlighting.eu)

**REPLACEMENT PARTS** please visit [parts.elationlighting.com](http://parts.elationlighting.com)



## **I M P O R T A N T N O T I C E !**

**THERE ARE NO USER SERVICEABLE PARTS INSIDE THIS UNIT.  
DO NOT ATTEMPT ANY REPAIRS YOURSELF; DOING SO WILL VOID YOUR  
MANUFACTURES WARRANTY. DAMAGES RESULTING FROM MODIFICATIONS TO  
THIS FIXTURE AND/OR THE DISREGARD OF SAFETY INSTRUCTIONS AND  
GUIDELINES IN THIS MANUAL VOID THE MANUFACTURES WARRANTY AND ARE  
NOT SUBJECT TO ANY WARRANTY CLAIMS AND/OR REPAIRS.**

**BOX CONTENTS**

## LIMITED WARRANTY (USA ONLY)

A. Elation Professional hereby warrants, to the original purchaser, Elation Professional products to be free of manufacturing defects in material and workmanship for a period of two years (730 days), and Elation Professional product rechargeable batteries to be free of manufacturing defects in material and workmanship for a period of six months (180 days), from the original date of purchase. This warranty excludes discharge lamps and all product accessories. This warranty shall be valid only if the product is purchased within the United States of America, including possessions and territories. It is the owner's responsibility to establish the date and place of purchase by acceptable evidence, at the time service is sought. B. For warranty service, send the product only to the Elation Professional factory. All shipping charges must be pre-paid. If the requested repairs or service (including parts replacement) are within the terms of this warranty, Elation Professional will pay return shipping charges only to a designated point within the United States. If any product is sent, it must be shipped in its original package and packaging material. No accessories should be shipped with the product. If any accessories are shipped with the product, Elation Professional shall have no liability what so ever for loss and/or or damage to any such accessories, nor for the safe return thereof. C. This warranty is void if the product serial number and/or labels are altered or removed; if the product is modified in any manner which Elation Professional concludes, after inspection, affects the reliability of the product; if the product has been repaired or serviced by anyone other than the Elation Professional factory unless prior written authorization was issued to purchaser by Elation Professional; if the product is damaged because not properly maintained as set forth in the product instructions, guidelines and/or user manual. D. This is not a service contract, and this warranty does not include any maintenance, cleaning or periodic check-up. During the periods as specified above, Elation Professional will replace defective parts at its expense, and will absorb all expenses for warranty service and repair labor by reason of defects in material or workmanship. The sole responsibility of Elation Professional under this warranty shall be limited to the repair of the product, or replacement thereof, including parts, at the sole discretion of Elation Professional. All products covered by this warranty were manufactured after January 1, 1990, and bare identifying marks to that effect. E. Elation Professional reserves the right to make changes in design and/or performance improvements upon its products without any obligation to include these changes in any products theretofore manufactured. F. No warranty, whether expressed or implied, is given or made with respect to any accessory supplied with the products described above. Except to the extent prohibited by applicable law, all implied warranties made by Elation Professional in connection with this product, including warranties of merchantability or fitness, are limited in duration to the warranty periods set forth above. And no warranties, whether expressed or implied, including warranties of merchantability or fitness, shall apply to this product after said periods have expired. The consumer's and/or dealer's sole remedy shall be such repair or replacement as is expressly provided above; and under no circumstances shall Elation Professional be liable for any loss and/or damage, direct and/or consequential, arising out of the use of, and/or the inability to use, this product. G. This warranty is the only written warranty applicable to Elation Professional products and supersedes all prior warranties and written descriptions of warranty terms and conditions heretofore published.

### WARRANTY RETURNS

All returned service items whether under warranty or not, must be freight pre-paid and accompany a return authorization (R.A.) number. The R.A. number must be clearly written on the outside of the return package. A brief description of the problem as well as the R.A. number must also be written down on a piece of paper and included in the shipping container. If the unit is under warranty, you must provide a copy of your proof of purchase invoice. Items returned without a R.A. number clearly marked on the outside of the package will be refused and returned at customer's expense. You may obtain a R.A. number by contacting customer support. **ONLY** Use the original packaging and materials to transport the fixture in for service.

# SAFETY GUIDELINES

This fixture is a sophisticated piece of electronic equipment. To guarantee a smooth operation, it is important to follow all instructions and guidelines in this manual. Elation Professional is not responsible for injury and/or damages resulting from the misuse of this fixture due to the disregard of the information printed in this manual. Only qualified and/or certified personnel should perform installation of this fixture and only the original rigging parts (omega brackets) included with this fixture should be used for installation. Any modifications to the fixture and/or the included mounting hardware will void the original manufactures warranty and increase the risk of damage and/or personal injury.



**PROTECTION CLASS 1 - FIXTURE MUST BE PROPERLY GROUNDED**



**THERE ARE NO USER SERVICEABLE PARTS INSIDE THIS UNIT. DO NOT ATTEMPT ANY REPAIRS YOURSELF; DOING SO WILL VOID YOUR MANUFACTURES WARRANTY. DAMAGES RESULTING FROM MODIFICATIONS TO THIS FIXTURE AND/OR THE DISREGARD OF SAFETY INSTRUCTIONS AND GUIDELINES IN THIS MANUAL VOID THE MANUFACTURES WARRANTY AND ARE NOT SUBJECT TO ANY WARRANTY CLAIMS AND/OR REPAIRS.**



**DO NOT PLUG FIXTURE INTO A DIMMER PACK!  
NEVER OPEN THIS FIXTURE WHILE IN USE!  
UNPLUG POWER BEFORE SERVICING FIXTURE!  
NEVER TOUCH FIXTURE DURING OPERATION, AS IT MAY BE HOT!  
KEEP FLAMMABLE MATERIALS AWAY FROM FIXTURE!**



**NEVER LOOK DIRECTLY INTO THE LIGHT SOURCE!  
RETINA INJURY RISK - MAY INDUCE BLINDNESS!  
SENSITIVE PERSONS MAY SUFFER AN EPILEPTIC SHOCK!**



**INDOOR / DRY LOCATIONS USE ONLY!  
DO NOT EXPOSE FIXTURE TO RAIN AND MOISTURE!**



**MINIMUM DISTANCE TO OBJECTS/SURFACES  
MUST BE 33 FEET (10 METERS)  
MAXIMUM TEMPERATURE OF EXTERNAL  
SURFACE 212° F (100°C)**

# SAFETY GUIDELINES

## **CAUTION**

**HIGH  
INTENSITY  
ULTRAVIOLET  
LIGHT**



AVOID DIRECT EYE & SKIN EXPOSURE.  
WEAR PROPER EYE & SKIN PROTECTION.  
SEE MANUAL FOR SAFETY INSTRUCTIONS.

**RISK GROUP 3 - RISK OF EXPOSURE TO ULTRAVIOLET UV RADIATION! FIXTURE EMITS HIGH INTENSITY WAVELENGTH OF ULTRAVIOLET UV LIGHT FROM THE UV COLOR FILTER. WEAR PROPER EYE AND SKIN PROTECTION. AVOID PROLONGED PERIODS OF EXPOSURE TO UV COLOR FILTER. AVOID WEARING WHITE COLOR CLOTHING AND/OR**

**USING UV PAINTS ON SKIN. AVOID DIRECT EYE AND/OR SKIN EXPOSURE AT DISTANCES LESS THAN 11 feet (3.3m). DO NOT OPERATE FIXTURE WITH DAMAGED/MISSING EXTERNAL COVERS. DO NOT LOOK DIRECTLY INTO THE UV LIGHT AND/OR VIEW UV LIGHT DIRECTLY WITH OPTICAL INSTRUMENTS THAT MAY CONCENTRATE THE LIGHT/RADIATION OUTPUT. INDIVIDUALS SUFFERING FROM A RANGE OF EYE CONDITIONS, SUNLIGHT EXPOSURE DIS-ORDERS, OR INDIVIDUALS USING PHOTSENSITIVE MEDICATION, MAY RECEIVE DISCOMFORT IF EXPOSED TO THE ULTRAVIOLET UV LIGHT EMITTED FROM THE UV LED.**

**DO NOT TOUCH** the fixture housing during operation. Turn OFF the power and allow approximately 15 minutes for the fixture to cool down before serving.

**DO NOT** shake fixture, avoid brute force when installing and/or operating fixture.

**DO NOT** operate fixture if the power cord is frayed, crimped, damaged and/or if any of the power cord connectors are damaged and do not insert into the fixture securely with ease.

**NEVER** force a power cord connector into the fixture. If the power cord or any of its connectors are damaged, replace it immediately with a new one of similar power rating.

**DO NOT** block any air ventilation slots.

All fan and air inlets must remain clean and never blocked.

Allow approx. 6" (15cm) between fixture and other devices or a wall for proper cooling.

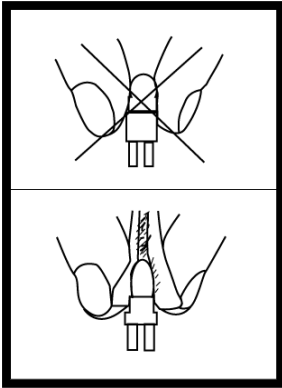
When installing fixture in a suspended environment, always use mounting hardware that is no less than M10 x 25 mm, and always install fixture with an appropriately rated safety cable.

Always disconnect fixture from main power source before performing any type of service and/or cleaning procedure. Only handle the power cord by the plug end, never pull out the plug by tugging the wire portion of the cord.

During the initial operation of this fixture, a light smoke or smell may emit from the interior of the fixture. This is a normal process and is caused by excess paint in the interior of the casing burning off from the heat associated with the lamp and will decrease gradually over time.

Consistent operational breaks will ensure fixture will function properly for many years.

## DISCHARGE LAMP WARNING



This fixture is fitted with a DISCHARGE LAMP, which is highly susceptible to damage if improperly handled. NEVER touch the lamp with your bare hands, as the oil from your hands will shorten the life of the lamp. NEVER move the fixture until the lamp has had ample time to cool. DISCHARGE LAMPS are NOT covered under warranty conditions. Avoid switching the fixture ON and OFF repeatedly in short intervals, as this will reduce lamp life and intensity. To achieve the intensity associated with discharge lamps, these lamps use gas sealed in a high-pressure environment to emit a brilliant output.

Due to the high pressure involved with the construction of the lamp, it **MAY EXPLODE DURING PROLONGED EXTENSIVE USE**. This risk is increased with age; added care is encouraged when dealing with older lamps. Thus, the lamp must always be replaced at the end of their recommended duty cycle. Extreme caution should be used when operating this or any fixture fitted with a gas discharge lamp.

## UV RADIATION NOTICE



**THIS FIXTURE EMITS INTENSE UV RADIATION, WHICH IS HARMFUL TO THE EYES AND SKIN. THE INTENSE LUMINANCE OF THE LAMP CAN CAUSE SEVERE DAMAGE TO THE RETINA. NEVER OPERATE THIS FIXTURE WITH ANY OF THE PROTECTIVE COVERS REMOVED. THESE COVERS HAVE BEEN SPECIALLY DESIGNED TO SHIELD AGAINST UV RADIATION.**

## LAMP REPLACEMENT

**THE PHILIPS™ PLATINUM 14R LAMP MUST BE REPLACED EVERY 2,000 HOURS OR WHEN DAMAGED AND/OR DEFORMED!**

**USE ONLY GENUINE ORIGINAL PHILIPS™ LAMPS. OTHER BRAND LAMPS WILL CAUSE DAMAGE AND WILL VOID FIXTURE WARRANTY!**



**DISCONNECT THE MAIN POWER SUPPLY BEFORE REPLACING LAMP!  
FIXTURE MUST COOL FOR 60 MINUTES BEFORE REPLACING LAMP!**

**NEVER TOUCH LAMP WITH BARE HANDS, ALWAYS WEAR GLOVES!  
OIL FROM HANDS WILL SHORTEN LIFE OF LAMP!**

**MAKE SURE ALL COVERS/PANELS ARE REPLACED/SECURED BEFORE OPERATING FIXTURE TO PREVENT ANY RISK AND/OR DAMAGE TO EYE RETINA FROM UV RADIATION EXPOSURE!**



# MAINTENANCE GUIDELINES



**DISCONNECT POWER BEFORE PERFORMING ANY MAINTENANCE!**

## **CLEANING**

Frequent cleaning is recommended to insure proper function, optimized light output, and an extended life. The frequency of cleaning depends on the environment in which the fixture operates: damp, smoky or particularly dirty environments can cause greater accumulation of dirt on the fixture's optics. Clean the external lens surface at least every 20 days with a soft cloth to avoid dirt/debris accumulation.

**NEVER** use alcohol, solvents, or ammonia-based cleaners.

## **MAINTENANCE**

Regular inspections are recommended to insure proper function and extended life.

There are no user serviceable parts inside this fixture, please refer all other service issues to an authorized Elation service technician. Should you need any spare parts, please order genuine parts from your local Elation dealer.

Please refer to the following points during routine inspections:

A detailed electric check by an approved electrical engineer every three months, to make sure the circuit contacts are in good condition and prevent overheating.

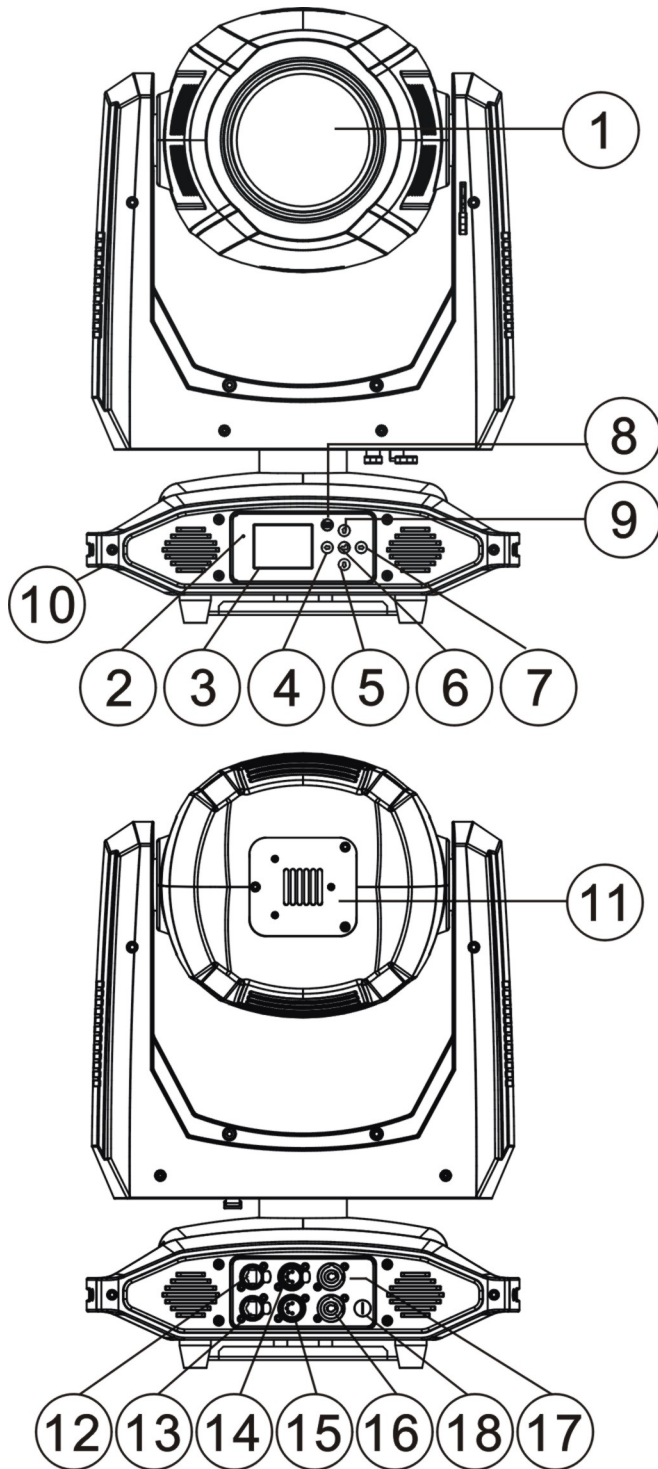
Be sure all screws and fasteners are securely tightened at all times. Loose screws may fall out during normal operation resulting in damage or injury as larger parts could fall.

Check for any deformations on the housing, color lenses, rigging hardware and rigging points (ceiling, suspension, trussing). Deformations in the housing could allow for dust to enter into the fixture. Damaged rigging points or unsecured rigging could cause the fixture to fall and seriously injure a person(s).

Electric power supply cables must not show any damage, material fatigue or sediments.

**NEVER** remove the ground prong from the power cable.

# FIXTURE OVERVIEW



1. Lens
2. Control Panel
3. LCD Menu Function Display
4. LEFT Button
5. DOWN Button
6. ENTER Button
7. RIGHT Button
8. MODE/ESC Button
9. UP Button
10. Carrying Handle(s)
11. Lamp Access/Cover Panel
12. RJ45 Input
13. RJ45 Output
14. 5pin DMX Input
15. 5pin DMX Output
16. Power Output
17. Power Input
18. Fuse

# LAMP INSTALLATION



## LAMP REPLACEMENT

Please note that due to the nature of the Philips™ Platinum 14R Lamp and the optical path of the fixture, the lamp **MUST BE** replaced at 2,000 hours.

Use only Genuine Original Philips™ Platinum 14R Lamps. Other brand lamps may cause damage and void warranty!

### INSTALLING OR REPLACING THE LAMP

To ensure a proper/safe lamp change, carefully read all the following instructions.

### LAMP PROTECTION CIRCUITRY

Because of the nature of the extreme heat associated with the Philips™ Platinum 14 R lamp and the tight nature of the internal optical system, it is **IMPERATIVE** that the lamp be replaced every **2,000 Hours**. This is done to protect the internal optical system as well as prevent accidental lamp explosion, which could lead to hot glass particles falling from the fixture.

**FAILURE TO CHANGE THE LAMP WITHIN 300 HOURS of the 2,000 HOUR RATED LIFE, WILL CAUSE THE FIXTURE TO AUTOMATICALLY SHUT DOWN!**

At **2,000 Hours** the LCD control display will begin to flash, **“Replace The Lamp”** and the lamp will flicker for the first five minutes of operation. At this point the lamp has reached the maximum rated life and should be replaced immediately. After the lamp has flickered for about five minutes it should strike normally allowing the fixture to be used temporarily until a replacement lamp can be installed. The fixture will continue to operate for an additional 300 hours, however the **“Replace the Lamp”** warning will continue to flash in the display. Keep in mind that the flicker protection circuitry will only work for about 300 Hours (lamp clock life of 2,000-2,300 Hours).

**After 2,300 Hours** the fixture will no longer respond to DMX commands and immediately enter a hibernation mode that will electronically discontinue all fixture functionality with the exception of a few menu commands. The fixture will continue to enter hibernation mode until the lamp is replaced and the lamp clock has been reset. To replace the lamp follow the safety guidelines and procedures listed on the next page.

## LAMP SAFETY INSTRUCTIONS

- **ALWAYS** replace lamp every 2,000 Hours.

- Use only Genuine Original Philips™ Platinum 14R lamps.

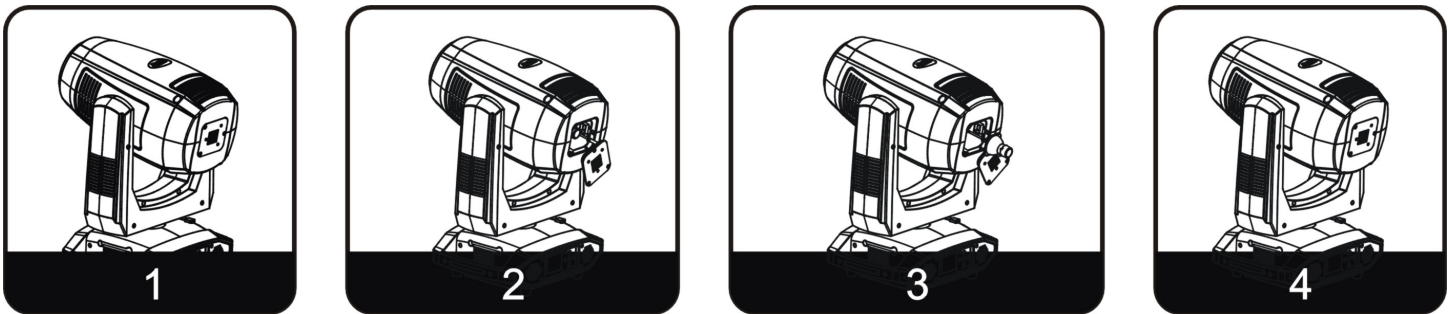
Other brand lamps may cause damage and void the warranty!

- **NEVER** touch the lamp with your bare hands!

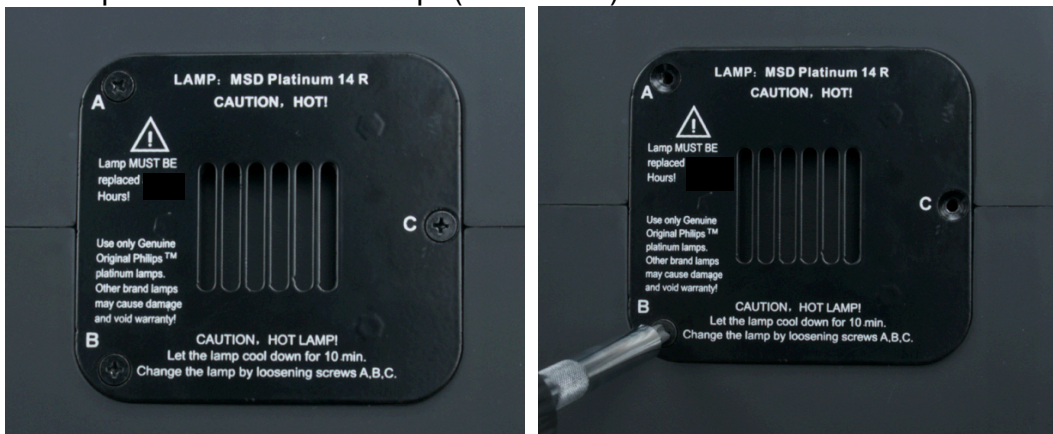
Oil from your hands will shorten the life of the lamp.

- Always disconnect the fixture's main power supply before replacing lamp.
- Allow fixture to cool for at least 10 minutes before attempting any type of service.
- Make sure ALL covers/panels are replaced/secured before operating the fixture to prevent any risk and/or damage to eye retina from UV Radiation exposure!

## LAMP INSTALLATION PROCEDURE

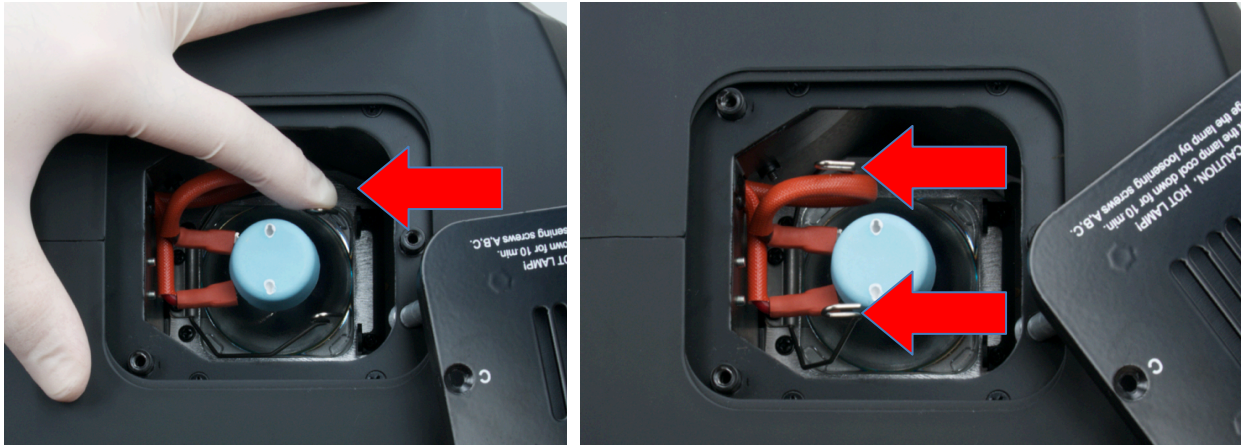


1. Place fixture on a flat surface and remove (3) screws marked “A”, “B”, and “C” and then remove lamp cover to access lamp. (See below)



## LAMP INSTALLATION PROCEDURE - [Continued]

2. Unlock retention clip and pull clip towards you away from the lamp. (See below)



3. Gently grab lamp base with thumb and index finger and pull towards you. (See below)



4. Gently remove **(2) Wires** connected to spade terminals on lamp. (See below)



## LAMP INSTALLATION PROCEDURE - [Continued]

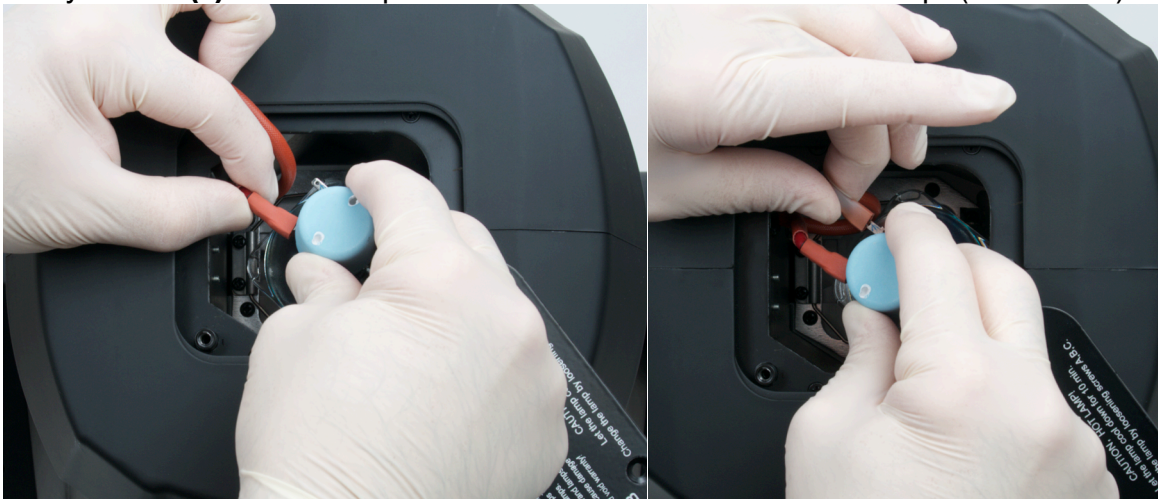
5. Gently pull lamp out towards you away from the fixture. (See below)



6. Using thumb and index finger, gently install new lamp into the fixture. (See below)



7. Gently attach **(2) Wires** to spade terminals on the base of the lamp. (See below)

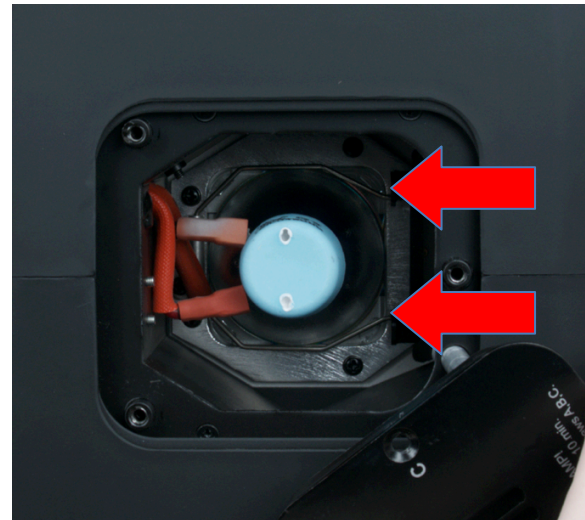


## LAMP INSTALLATION PROCEDURE - [Continued]

8. Make sure both wires are securely attached to the lamp. (See below)



9. Install and position lamp so it is seated properly, then secure retention clip. (See below)



10. Replace lamp cover and secure (3) screws marked "A", "B", and "C". (See below)



## LAMP INSTALLATION PROCEDURE - [Continued]

11. Be sure to reset the **LAMP HOURS** in the system menu to prevent the protection circuitry from accidentally shutting off the lamp during normal operation.
12. If the lamp protection circuitry has already been initiated and the **LAMP HOURS** is not reset, the “**Replace the Lamp**” warning will continue to flash and fixture will eventually shut down. To reset **LAMP HOURS**, see instructions below.

## LAMP HOURS RESET PROCEDURE

1. Activate the main menu by pressing **MODE/ESC** and toggle to “**Information**”.
2. Press **ENTER** and press **UP** or **DOWN** to toggle to “**Time Information**”.
3. Press **UP** or **DOWN** to toggle to “**LampTime Password**” and press **ENTER**. Then press **UP** or **DOWN** to enter the reset pass code, “**038**” and press **ENTER** to confirm. The display will automatically revert to “**LampTime Password**”, next press **UP** or **DOWN** to toggle down to “**Clean Lamp Time**”.
4. Press **ENTER** and select “**ON**”. The lamp timer has now been reset, press **MODE/ESC** to exit the menu and return to the home screen.

## LAMP OPTIMIZATION

Unlike traditional discharge lamps the **Philips™ Platinum 14R Lamp** does **NOT** require optimization. The lamp orientation and optimization procedure has been preset during the manufacturing process of the lamp.

Please remember the **Philips™ Platinum 14R Lamp** is **NOT** a hot-restrike lamp therefore, you must wait approximately **10 minutes** before you can attempt to restrike the lamp once it has been turned off.



## INSTALLATION GUIDELINES



### FLAMMABLE MATERIAL WARNING

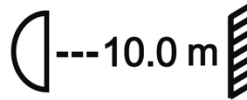
Keep fixture at least 5.0 feet (1.5m) away from any flammable materials, decorations, pyrotechnics, etc.



### ELECTRICAL CONNECTIONS

A qualified electrician should be used for all electrical connections and/or installations.

## WARNING



Minimum distance to lighted objects 10.0 meters.

Maximum temperature of the external surface 100°C.

Minimum distance of inflammable materials from the surface 0.5m.



**DO NOT INSTALL THE FIXTURE IF YOU ARE NOT QUALIFIED TO DO SO!**

Fixture **MUST** be installed following all local, national, and country commercial electrical and construction codes and regulations.

Before rigging/mounting the fixture to any metal truss/structure or placing the fixture on any surface, a professional equipment installer **MUST** be consulted to determine if the metal truss/structure or surface is properly certified to safely hold the combined weight of the fixture, clamps, cables, and accessories.

Fixture ambient operating temperature range is **14° to 113°F. (-10° to 45°C)**

Do not use the fixture under or above this temperature.

Fixture should be installed in areas outside walking paths, seating areas, or away from areas where unauthorized personnel might reach the fixture by hand.

**NEVER** stand directly below the fixture when rigging, removing or servicing.

Overhead fixture installation must always be secured with a secondary safety attachment, such as an appropriately rated safety cable.

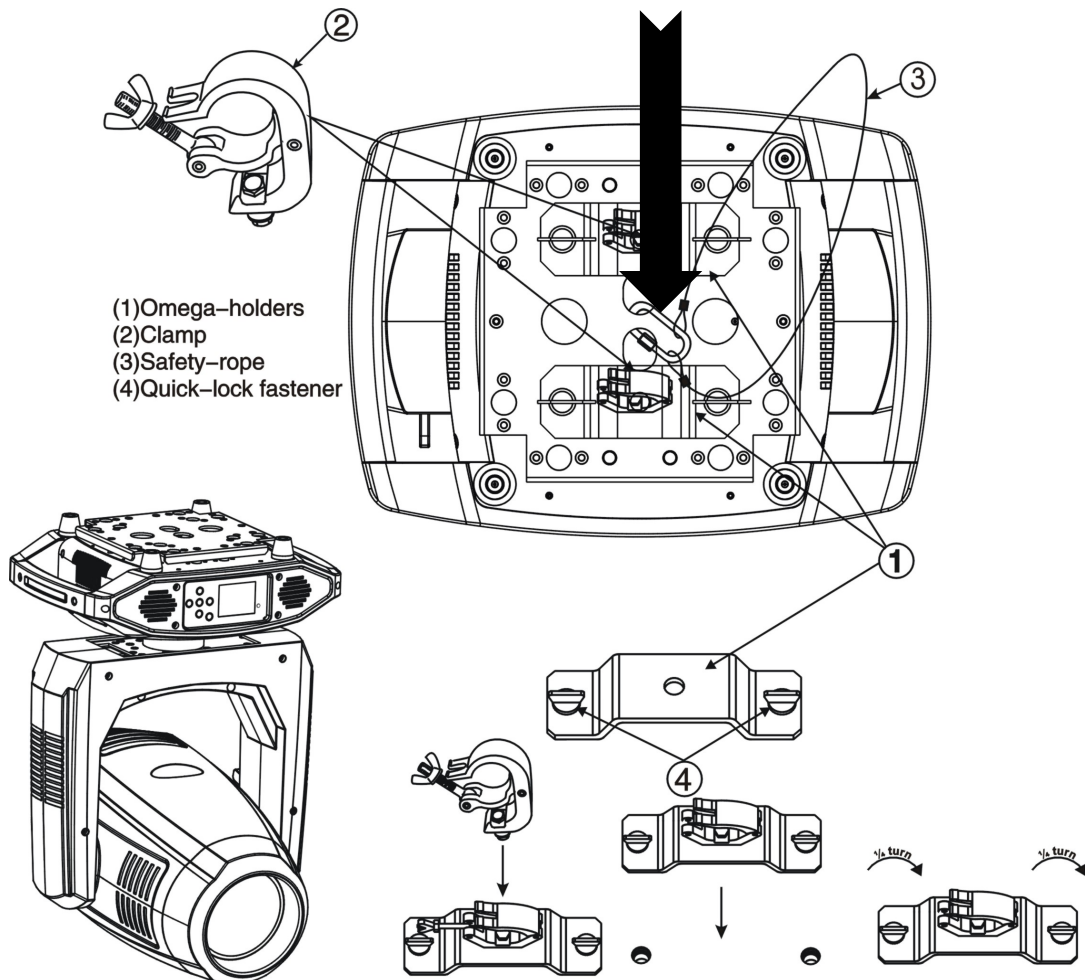
Allow approximately 15 minutes for the fixture to cool down before serving.

# INSTALLATION GUIDELINES

## OMEGA BRACKETS INSTALLATION

Insert the included Omega Brackets into the matching holes on the bottom of the fixture. Secure the Omega Brackets to the fixture by turning each quick-lock fastener  $\frac{1}{4}$  turn clockwise; making sure the fastener is completely locked.

## SAFETY CABLE RIGGING POINT



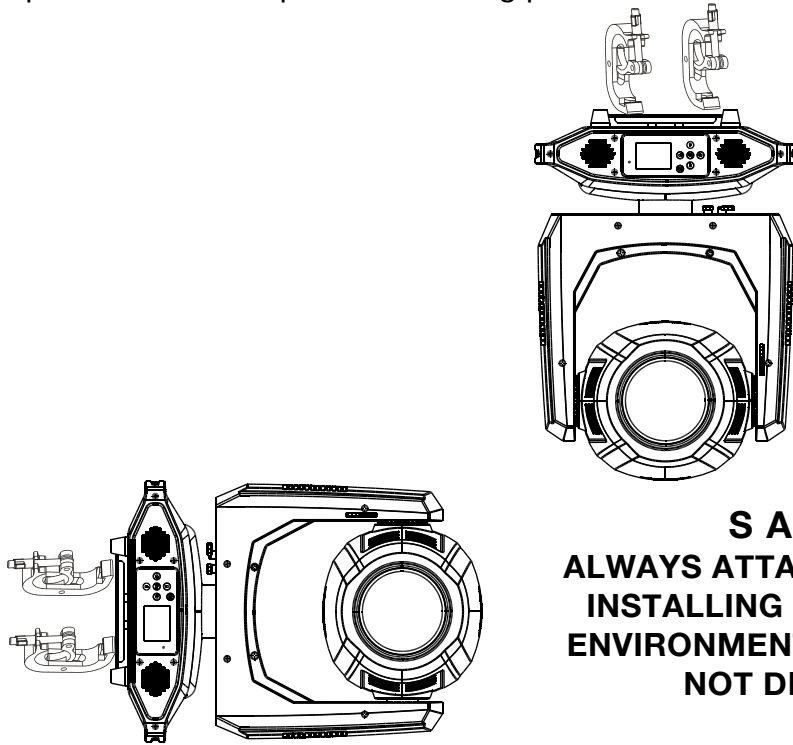
## CLAMP INSTALLATION

When mounting fixture to truss, be sure to secure an appropriately rated professional grade rigging clamp to the included **Omega Brackets** using an M10 screw fitted through the center hole of the **Omega Brackets**. The fixture provides a built-in rigging point for a **SAFETY CABLE**. Be sure to only use the designated rigging point for the safety cable and never secure a safety cable to a carrying handle.

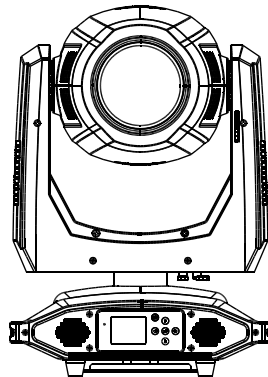
# INSTALLATION GUIDELINES

## RIGGING

Overhead rigging requires extensive experience, including amongst others calculating working load limits, installation material being used, and periodic safety inspection of all installation material and the device. If you lack these qualifications, do not attempt the installation yourself. Improper installation can result in bodily injury. Fixture is fully operational in the specific mounting positions illustrated below.



**SAFETY CABLE**  
**ALWAYS ATTACH A SAFETY CABLE WHENEVER**  
**INSTALLING THIS FIXTURE IN A SUSPENDED**  
**ENVIRONMENT TO ENSURE THE FIXTURE WILL**  
**NOT DROP IF THE CLAMP FAILS.**



## ART-NET CONNECTION

When connecting fixture to a network switch to control multiple devices, a **Gigabit Ethernet Switch** that supports **IGMP (Internet Group Management Protocol)** is required. Using a **Gigabit Ethernet Switch** that does not support **IGMP** can cause erratic behavior of all connected devices to the switch.

Click link below for more information about IGMP.

[https://en.wikipedia.org/wiki/Internet\\_Group\\_Management\\_Protocol](https://en.wikipedia.org/wiki/Internet_Group_Management_Protocol)

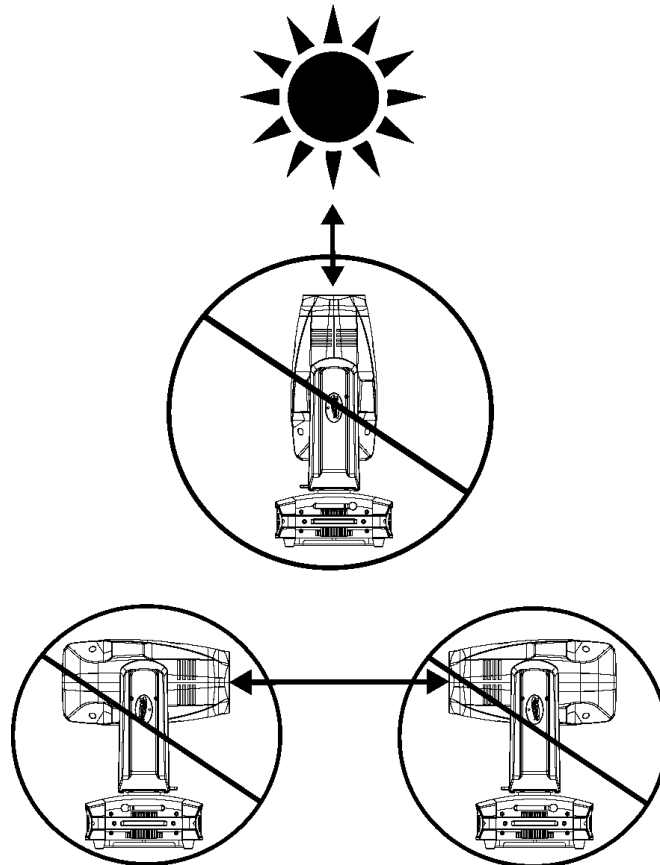
# INSTALLATION GUIDELINES

## POTENTIAL INTERNAL FIXTURE DAMAGE FROM EXTERNAL SOURCES OF LIGHT BEAMS

External sources of light beams from direct sunlight, lighting moving head fixtures, and lasers, which are focused directly towards the exterior housing and/or penetrate the front lens opening of ELATION lighting fixtures, can cause severe internal damage including burning to optics, dichroic color filters, glass and metal gobos, prisms, animation wheels, frost filters, iris, shutters, motors, belts, wiring, discharge lamps, and LEDs.


This issue is not specific only to ELATION lighting fixtures, it is a common issue with lighting fixtures from all manufacturers. Although there is no true way to fully prevent this issue from happening, the guidelines below can prevent any potential damage from occurring if followed. Contact ELATION Service for more details.

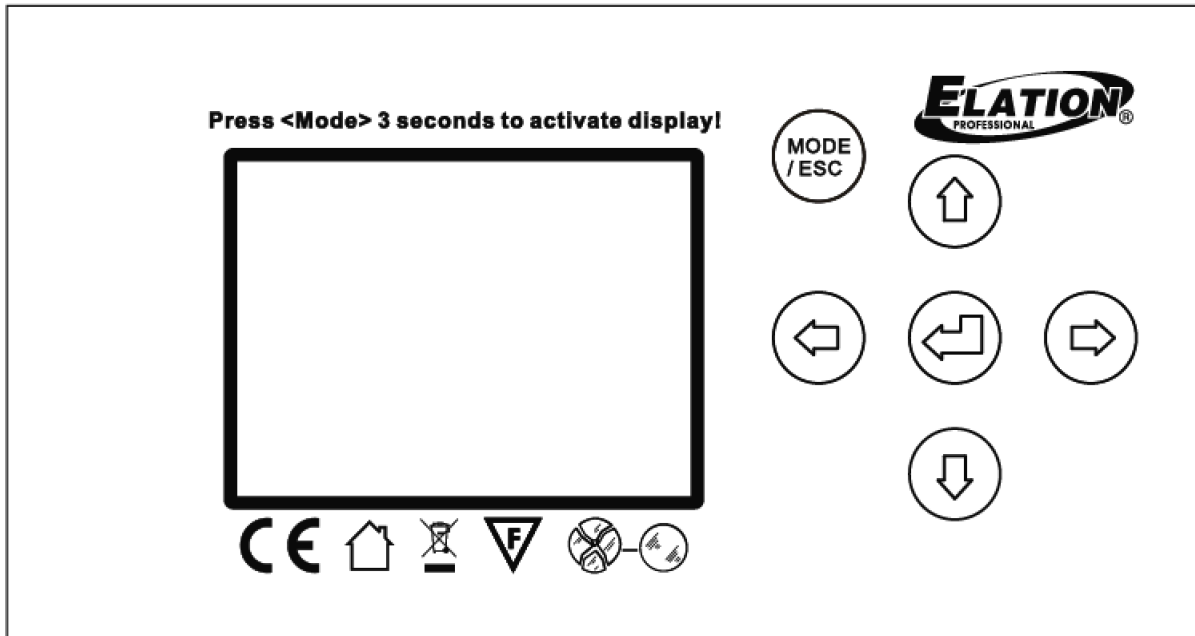
**DO NOT EXPOSE THE FIXTURE AND/OR FRONT LENS OPENING TO LIGHT BEAMS FROM DIRECT SUNLIGHT, OTHER LIGHTING MOVING HEAD FIXTURES, AND LASERS WHILE UNPACKING, INSTALLATION, USE, AND EXTENDED IDLE TIMES OUTDOORS.**  
**DO NOT FOCUS A LIGHT BEAM FROM ONE LIGHTING FIXTURE DIRECTLY TOWARDS ANOTHER.**



# SYSTEM MENU

The fixture includes an easy to navigate system menu control panel display where all necessary setting adjustments are made. (See image below) During normal operation, pressing **MODE/ESC** button once will access the fixture's main menu. Once in the main menu you can navigate through the different functions and access the sub-menus with the **UP**, **DOWN**, **RIGHT**, and **LEFT** buttons. Once you reach a field that requires adjusting, press the **ENTER** button to activate that field and use the **UP** and **DOWN** buttons to adjust the field. Pressing the **ENTER** button once more will confirm your setting. You may exit the main menu at any time without making any adjustments by pressing the **MODE/ESC** button.

 **NOTE:** To access the LCD Menu Control Display via the internal battery, press and hold the **MODE/ESC** button for 3 seconds. The LCD Menu Control Display will shut **OFF** automatically about 1 minute from the last button press.



## ELATION PLATINUM HFX SYSTEM MENU

Supports Software Versions:  $\geq 1.3.5$

MAIN MENU	SUB MENU	OPTIONS / VALUES (Default Settings in <b>BOLD</b> )		DESCRIPTION	
FUNCTION	Set DMX Address	A001~AXXX		DMX Address Setting	
	DMX Value	ALL.....		DMX Value Display	
	Secondary Mode	Secondary1, Secondary2, Secondary3		Secondary Setting	
	Auto Program	Primary / Alone		Auto Program	
INFORMATION	Time Information	Current Time	XXXX (Hours)	Fixture Run Time From Power ON	
		Total Run Time	XXXX (Hours)	Fixture Total Run Time	
		Last Run Time	XXXX (Hours)	Clear Fixture Last Run Time	
		Lamp Hours	XXXX (Hours)	Lamp Total Run Time	
		Lamp Off Time	XXXX (Minutes)	Lamp OFF Time	
		LastRun Password	Password=XXX	Password <b>038</b>	
		Clean Last Run	ON / <b>OFF</b>	Reset Fixture Last Run Time	
		LampTimePassword	Password=XXX	Password <b>038</b>	
	Clean Lamp Time	ON / <b>OFF</b>	Reset Lamp Run Time		
	Temperature Info	Head Temperature	XXX C° / F°	Temperature in Fixture Head	
	Ethernet IP	XXX . XXX . XXX . XXX	XXX . XXX . XXX . XXX	IP Address	
	Fan Info	1U FAN1:			
	Encode Info	PAN ENCODE:	TILT ENCODE:		
	Software Version	1U01: Vx.x.x ~ 6U:01: Vx.x.x		Software Versions	
Error Info	Error Record 1 ~ Error Record 10		Pan....		
LAMP CONTROL	Lamp ON/OFF	ON/ <b>OFF</b>		Lamp ON/OFF	
	Automatic ON	ON/ <b>OFF</b>		Lamp ON/OFF when Power ON	
	Lamp ON via DMX	<b>ON</b> /OFF		Lamp ON via DMX	
	Lamp OFF via DMX	<b>ON</b> /OFF		Lamp OFF via DMX	
	Max ON at Temp	20~79°C ( <b>45°C</b> ) / 68 ~ 174°F ( <b>113°F</b> )		Lamp Restart at Temp	
	Lamp OFF Temp	80~139°C ( <b>130°C</b> ) / 176 ~ 282°F ( <b>266°F</b> )		Lamp OFF at Temp	
	PERSONALITY	Status Settings	Address via DMX	<b>ON</b> /OFF	Address Via DMX
No DMX Status			Close/ <b>Hold</b> /Auto	Auto Run If No DMX	
Pan Reverse			ON/ <b>OFF</b>	Pan Reverse Movement	
Tilt Reverse			ON/ <b>OFF</b>	Tilt Reverse Movement	
Pan Degree			630/ <b>540</b>	Pan Degree Select	
Feedback			<b>ON</b> /OFF	Movement Feedback	
Movement Speed			Speed <b>1</b> ~ 4	Movement Mode Select	
Hibernation			OFF, 01M~99M, <b>15M</b>	Stand By Mode	
Service Setting		Password	Password=XXX		Service Password <b>050</b>
		RDM PID	<b>XXXXX</b>		RDM PID Code
		Ethernet IP	XXX . XXX . XXX . XXX		Ethernet IP
		Ethernet Mask IP	XXX . XXX . XXX . XXX		Ethernet Mask IP
		Clear Err. Info	ON/ <b>OFF</b>		Clear Error Info
		DFLT Pow. LampOn	<b>ON</b> /OFF		Default Power Lamp ON
Display Setting		Shutoff Time	02~60m <b>05m</b>		Display Shut Off Time
		Display Reverse	Auto/ <b>ON</b> / <b>OFF</b>		Display Reverse 180°, <b>Auto (versions <math>\geq 1.4.0</math>)</b>
		Key Lock	ON/ <b>OFF</b>		Key Lock
Temperature C/F		Celsius/ <b>Fahrenheit</b>		Temp Value Switch Between C° / F°	
Initial Status		PAN =XXX		Initial Effect Position	
Select Signal		<b>DMX Only</b>		DMX Only	
		Art-Net on IP2		Select Art-Net IP02	
		Art-Net on IP10		Select Art-Net IP010	
		sACN		Select sACN ( <b>versions <math>\geq 1.3.5</math></b> )	
Set Universe	000 - 255		Set Art-Net Universe		
Reset Default	ON/ <b>OFF</b>	Password <b>011</b>	Restore Factory Settings		

## ELATION PLATINUM HFX SYSTEM MENU

Supports Software Versions: ≥ 1.3.5

MAIN MENU	SUB MENU	OPTIONS / VALUES (Default Settings in <b>BOLD</b> )		DESCRIPTION	
Reset Function	Reset All			Reset All Motors	
	Reset Pan&Tilt			Reset Pan/Tilt	
	Reset Colors			Reset Color Wheel	
	Reset Gobos			Reset Gobos	
	Reset Shutter			Reset Shutter and/or Dimmer	
	Reset Others			Reset Other Motors	
Effect Adjust	Test Channel	PAN .....		Test function	
	Manual Control	PAN =XXX, .....		Fine Adjustments	
	Calibration	Calibration Password		Password <b>050</b>	
User Mode Set	User Mode	<b>Standard Mode</b>		DMX Channel Modes	
		Basic Mode			
		Extended Mode			
		User Mode A		User Defined Channel Assignment	
		User Mode B			
	User Mode C				
	Edit User Mode	Edit User Mode A	Max Channel = XX  PAN = CH01	Edits User Defined Channel Assignments	
		Edit User Mode B			
		Edit User Mode C			
Edit Program	Select Program	Auto Pro Part1 = Program 1~10 ( <b>Program 1</b> )		Select Programs To Be Run	
		Auto Pro Part2 = Program 1~10 ( <b>Program 2</b> )			
		Auto Pro Part3 = Program 1~10 ( <b>Program 3</b> )			
	Edit Program	Program 1	Program Test		Testing Program
		:	Step 01=SCxxx		Program In Loop
		Program 10	Step 64=SCxxx		Save and Exit
	Edit Scenes	Scene 001 ~ Scene 250	Pan,Tilt,.....		Save and Automatically Return
			--Fade Time-- --Scene Time--		Manual Scenes Edit
			Input By Outside		Stores Scenes via Ext DMX Console
	Rec. Controller	XX~XX		Automatic Scenes Recorder	

### **FUNCTION - Auto Program**

Define fixture mode (**Primary or Alone**) for running Auto Programs. Select desired internal programs under “**Select Program**”, set the number of steps under “**Edit Program**”, and edit individual scenes under “**Edit Scenes**”.

### **LAMP CONTROL - Max ON at Temp**

The fixture is designed to shut the lamp OFF when an excessive temperature is sensed inside the head by the on-board CPU. The lamp is shut OFF to prevent damage to the lamp and avoid possible internal damage to the fixture head.

This function sets the MIN internal operating temperature of the fixture head before the lamp will restrike after the lamp has been automatically shut OFF.

## **LAMP CONTROL - Lamp OFF Temp**

The fixture is designed to shut the lamp OFF when an excessive temperature is sensed inside the head by the on-board CPU. The lamp is shut OFF to prevent damage to the lamp and avoid possible internal damage to the fixture head.

This function sets the MAX internal operating temperature of the fixture head when the lamp will automatically be shut OFF.

## **PERSONALITY - Status Settings - Address Via DMX**

When ON, define the desired DMX address via an external controller.


**NOTE:** This process assumes the fixture DMX address is set to 001. If fixture DMX address is not at 001, you must adjust the channel numbers accordingly in order for this feature to work.

**For example:** if your fixture address is 010, then Channel 1 becomes Channel 10, Channel 2 becomes Channel 11, and Channel 3 becomes Channel 12.

1. Connect the fixture to the external controller and power ON.
2. Set the DMX value of **Channel 1** on the controller to **(7)**.
3. Set the DMX value of **Channel 2** on the controller to **(7)** or **(8)**.  
When set to **(7)**, the DMX address can be set between **(1)** and **(255)**.  
When set to **(8)**, the DMX address can be set between **(256)** and **(511)**.
4. Using **Channel 3** on the controller set the desired DMX address of the fixture.  
**Example 1:** If the desired DMX address is **57**, set **Channel 1** to a value of **(7)**, set **Channel 2** to a value of **(7)**, and then set **Channel 3** to a value of **(57)**.  
**Example 2:** If the desired DMX address is **420**, set **Channel 1** to a value of **(7)**, set **Channel 2** to a value of **(8)**, and then set **Channel 3** to a value of **(164)**. (256+164=420)
5. After setting **Channel 3** to the desired DMX address value, wait for approximately 20 seconds (some fixtures may require a longer time) for the fixture to complete the address reset function.

## **PERSONALITY – Service Setting - Password**

Service Password - **(050)**

 **NOTE:** The Service Password MUST be entered in order to access the following menus: **RDM PID, Ethernet IP, Ethernet IP Mask, Clear Err. Info, and DFLT Pow. LampOn.**



## **PERSONALITY – Service Setting - RDM PID**

Select various submenus via RDM (Remote Device Management), which provides the ability to control the device remotely while connected to a DMX-bus. ANSI E1.20-2006 by ESTA specifies the RDM standard as an extension of the DMX512 protocol. Manual settings like adjusting the DMX starting address are no longer needed. This is especially useful when the device is installed in a remote area.

RDM ready and conventional DMX devices can be operated in one DMX line. The RDM protocol sends its own packages in the DMX512 data feed and does not influence conventional devices. If DMX splitters are used and RDM control is to be used, these splitters must support RDM. The number and type of RDM parameters depend on the RDM controller being used.

## **PERSONALITY - Reset Default (011)**



**ONLY QUALIFIED TECHNICIANS SHOULD PERFORM THIS FUNCTION.**

**NOTE: SAVED WHITE BALANCE IS ERASED AFTER A RESET IS PERFORMED.**

This function restores all fixture settings to the factory default settings.

The password is **011** and must be entered each time a reset is performed.

## **EFFECT ADJUST – Test Channel**

Select/auto test each individual channel function independently from the control board.

## **EFFECT ADJUST – Manual Control**

Select and manually test and fine adjust each individual channel function

Independently from DMX control board. This function will center PAN and TILT motors and set dimmer to 100%. PAN and TILT functions will still operate if the fixture needs to be positioned to a flat clear surface. With the individual functions, you can focus the light on a flat surface (wall) and perform fine adjustments.

## **EFFECT ADJUST – Calibration**



**ONLY QUALIFIED TECHNICIANS SHOULD PERFORM THIS FUNCTION.**

This function allows small adjustments to be made to the effect wheels (Color, Gobo, Shutter, etc.) to compensate for misalignment and/or when a sensor has been knocked slightly out of position. Because improper use of this function can result in undesired operation of this fixture compared to others being used at the same time, this function has been password protected. The password is **050** and must be entered each time the calibration menu function is entered. Because this can be an extremely detailed procedure, careful consideration must be used before making any changes. Please contact our customer support team for step-by-step instructions.

## **USER MODE SET – Edit User Mode**

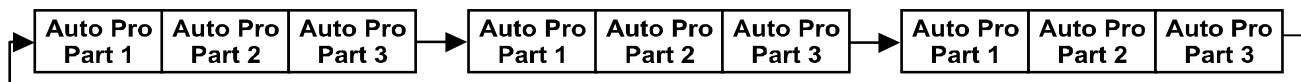
Create user defined channel orders allowing the fixture to match the channel order of other fixtures on the market for easier operation. A total of three user modes may be configured: User Mode A, User Mode B, and User Mode C.

## **EDIT PROGRAM – Rec. Controller**

The fixture features an integrated DMX-recorder by which you can transmit the programmed scenes from your DMX-controller to the moving head. Adjust the desired scene numbers via the encoder (from – to). When you call up the scenes at your controller, they will automatically be transmitted to the moving head.

## **EDIT PROGRAM – Record Controller – Working With Built In Programs**

A Primary unit can send up to 3 different data groups to the Secondary units, i.e. a Primary unit can start 3 different Secondary units, which run 3 different programs. The Primary unit sends the 3 program parts in a continuous loop.



The Secondary unit receives data from the Primary unit according to the group which the Secondary unit was assigned to. If e.g. a Secondary unit is set to “**Secondary 1**” in the menu “**Set to Secondary**”, the Primary unit sends “**Auto Program Part 1**” to the Secondary unit.

If set to “**Secondary 2**”, the Secondary unit receives “**Auto Program Part 2**”.

To start an Auto Program proceed as follows:

### **1. Secondary Setting**

- Select “**Function Mode**”.
- Press **ENTER** to confirm.
- Select “**Set to Secondary**”.
- Press **ENTER** to confirm.
- Select “**Secondary 1**”, “**Secondary 2**” or “**Secondary 3**”.
- Press **ENTER** to confirm.
- Press **MODE/ESC** in order to return to the main menu.

## **EDIT PROGRAM – Record Controller – Working With Built-In Program [continued]**

### **2. Automatic Program Run**

- Select “**Function Mode**”.
- Press **ENTER** to confirm.
- Select “**Auto Program**”.
- Press **ENTER** to confirm.
- Select “**Primary**” or “**Alone**”.
- Press **ENTER** to confirm.
- Press **MODE/ESC** in order to return to the main menu.

### **3. Program Selection for Auto Pro Part**

- Select “**Edit Program**”.
- Press **ENTER** to confirm.
- Select “**Select Programs**”.
- Press **ENTER** to confirm.
- Select “**Auto Pro Part 1**”, “**Auto Pro Part 2**” or “**Auto Pro Part 3**”, and select which Secondary program is to be sent. Selection “**Part 1**” means, that the Secondary unit runs the same program as the Primary units.
- Press **ENTER** to confirm.
- Press **MODE/ESC** in order to return to the main menu.

### **4. Program Selection for Edit Program**

- Select “**Edit Program**”.
- Press **ENTER** to confirm.
- Select “**Edit Program**”.
- Press **ENTER** to confirm.
- Select the desired program. With this function you can edit specific scenes into a specific program.
- Press **ENTER** to confirm.
- Press **MODE/ESC** in order to return to the main menu.

## **EDIT PROGRAM – Record Controller – Working With Built-In Program [continued]**

### **5. Automatic Scene Recording**

- Select **“Edit Program”**.
- Press **ENTER** to confirm.
- Select **“Edit Scenes”**.
- Select desired scene numbers. A maximum of 250 scenes can be programmed.
- Press **ENTER** to confirm.
- Press **MODE/ESC** in order to return to the main menu.

#### **Example:**

Program 2 includes scenes: 10, 11, 12, & 13

Program 4 includes scenes: 8, 9, & 10

Program 6 includes scenes: 12, 13, 14, & 15

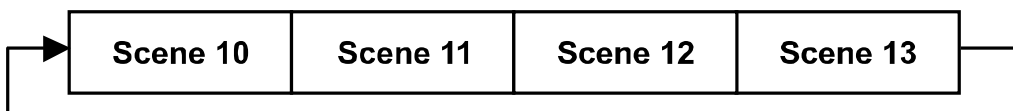
Auto Pro Part 1 is Program 2

Auto Pro Part 2 is Program 3

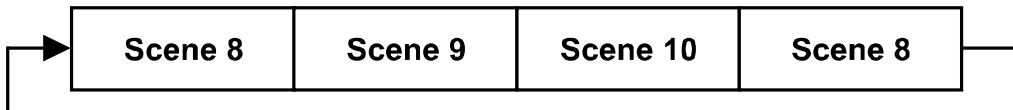
Auto Pro Part 3 is Program 6

The 3 Secondary groups run the Auto Program in certain time segments, as shown in the following picture:

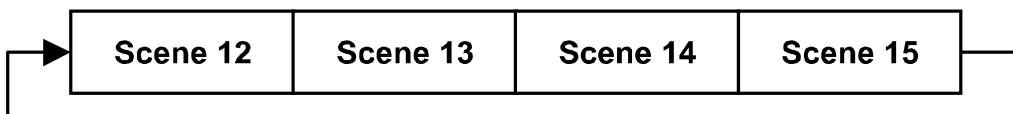
#### **Part 1:**



#### **Part 2:**



#### **Part 3:**



# DMX CHANNEL FUNCTIONS AND VALUES

ELATION PLATINUM HFX				
DMX Channel Values / Functions (26 DMX Channels)				
Features are subject to change without any prior written notice.				
*Rotation direction (Clockwise or Counterclockwise) of COLOR, GOBO, and PRISM effects depends on orientation of the fixture head.				
MODE / CHANNEL			VALUE	FUNCTION
BASIC	STAND	EXTEND		
1	1	1	0-255	PAN Movement
	2	2	0-255	Fine Control of PAN Movement
2	3	3	0-255	TILT Movement
	4	4	0-255	Fine Control of TILT Movement
3	5	5	0-10	OPEN / WHITE
			11-19	RED
			20-28	BLUE
			29-37	GREEN
			38-46	YELLOW
			47-55	PINK
			56-64	ORANGE
			65-73	AQUA
			74-82	MAGENTA
			83-91	QUAD COLOR
			92-100	CYAN
			101-109	C T O
			110-118	C T B
			119-127	U V
			128-189	*Clockwise Color Wheel Rotation from FAST to SLOW
190-193	NO Rotation			
194-255	*Counterclockwise Color Wheel Rotation from SLOW to FAST			
	6		0-255	FINE Adjustment of Color Wheel to Any Position

**ELATION PLATINUM HFX**  
**DMX Channel Values / Functions (26 DMX Channels)**

Features are subject to change without any prior written notice.

\*Rotation direction (Clockwise or Counterclockwise) of COLOR, GOBO, and PRISM effects depends on orientation of the fixture head.

MODE / CHANNEL			VALUE	FUNCTION
BASIC	STAND	EXTEND		
4	6	7		
			0-11	BEAM OPEN
			12-21	SPOT OPEN
			22-31	Rotating Gobo 1
			32-41	Rotating Gobo 2
			42-51	Rotating Gobo 3
			52-61	Rotating Gobo 4
			62-71	Rotating Gobo 5
			72-81	Rotating Gobo 6
			82-91	Rotating Gobo 7
			92-101	Rotating Gobo 8
			102-112	Gobo 1 Shake SLOW to FAST
			113-123	Gobo 2 Shake SLOW to FAST
			124-134	Gobo 3 Shake SLOW to FAST
			135-145	Gobo 4 Shake SLOW to FAST
			146-156	Gobo 5 Shake SLOW to FAST
			157-167	Gobo 6 Shake SLOW to FAST
168-178	Gobo 7 Shake SLOW to FAST			
179-189	Gobo 8 Shake SLOW to FAST			
190-223	*Clockwise Gobo Wheel Rotation from FAST to SLOW			
224-255	*Counterclockwise Gobo Wheel Rotation from SLOW to FAST			
5	7	8		
			0-127	ROTATING Gobo Indexing
			128-189	*Clockwise Gobo Rotation from FAST TO SLOW
			190-193	NO Rotation
194-255	*Counterclockwise Gobo Rotation from SLOW to FAST			
		9		
			0-255	ROTATING Gobo FINE Indexing

**ELATION PLATINUM HFX**  
**DMX Channel Values / Functions (26 DMX Channels)**

Features are subject to change without any prior written notice.

\*Rotation direction (Clockwise or Counterclockwise) of COLOR, GOBO, and PRISM effects depends on orientation of the fixture head.

MODE / CHANNEL			VALUE	FUNCTION
BASIC	STAND	EXTEND		
6	8	10		
			0-21	OPEN
			22-28	Static-Stamped Gobo 1
			29-35	Static-Stamped Gobo 2
			36-42	Static-Stamped Gobo 3
			43-49	Static-Stamped Gobo 4
			50-56	Static-Stamped Gobo 5
			57-63	Static-Stamped Gobo 6
			64-70	Static-Stamped Gobo 7
			71-77	Static-Stamped Gobo 8
			78-84	Static-Stamped Gobo 9
			85-91	Static-Stamped Gobo 10
			92-98	Static-Stamped Gobo 11
			99-105	Static-Stamped Gobo 12
			106-112	Shake SLOW to FAST Static-Stamped Gobo 1
			113-119	Shake SLOW to FAST Static-Stamped Gobo 2
			120-126	Shake SLOW to FAST Static-Stamped Gobo 3
			127-133	Shake SLOW to FAST Static-Stamped Gobo 4
			134-140	Shake SLOW to FAST Static-Stamped Gobo 5
			141-147	Shake SLOW to FAST Static-Stamped Gobo 6
			148-154	Shake SLOW to FAST Static-Stamped Gobo 7
			155-161	Shake SLOW to FAST Static-Stamped Gobo 8
			162-168	Shake SLOW to FAST Static-Stamped Gobo 9
			169-175	Shake SLOW to FAST Static-Stamped Gobo 10
			176-182	Shake SLOW to FAST Static-Stamped Gobo 11
183-189	Shake SLOW to FAST Static-Stamped Gobo 12			
190-221	*Clockwise Gobo Wheel Rotation from FAST to SLOW			
222-223	NO Rotation			
224-255	*Counterclockwise Gobo Wheel Rotation from SLOW to FAST			
		11		
			0-255	STATIC-STAMPED Gobo FINE Indexing

**ELATION PLATINUM HFX**  
**DMX Channel Values / Functions (26 DMX Channels)**

Features are subject to change without any prior written notice.

\*Rotation direction (Clockwise or Counterclockwise) of COLOR, GOBO, and PRISM effects depends on orientation of the fixture head.

MODE / CHANNEL			VALUE	FUNCTION
BASIC	STAND	EXTEND		
7	9	12	0-31	OPEN
			32.-50	8-FACET Rotating Prism
			51-69	LINEAR Rotating Prism
			70-88	10-FACET Static Prism
			89-107	8-Facet + 10-FACET Prisms
			108-127	10-FACET + LINEAR Prisms
			128-135	Linear Prism / Gobo Macro 1
			136-143	Linear Prism / Gobo Macro 2
			144-151	Linear Prism / Gobo Macro 3
			152-159	Linear Prism / Gobo Macro 4
			160-167	Linear Prism / Gobo Macro 5
			168-175	Linear Prism / Gobo Macro 6
			176-183	Linear Prism / Gobo Macro 7
			184-191	Linear Prism / Gobo Macro 8
			192-199	Linear Prism / Gobo Macro 9
			200-207	Linear Prism / Gobo Macro 10
			208-215	Linear Prism / Gobo Macro 11
216-223	Linear Prism / Gobo Macro 12			
224-231	Linear Prism / Gobo Macro 13			
232-239	Linear Prism / Gobo Macro 14			
240-247	Linear Prism / Gobo Macro 15			
248-255	Linear Prism / Gobo Macro 16			
8	10	13	0-127	Prism Indexing
			128-189	*Clockwise Linear Prism Rotation from FAST to SLOW
			190-193	NO Rotation
			194-255	*Counterclockwise Linear Prism Rotation from SLOW to FAST
		14	0-255	Prism FINE Indexing
9	11	15	0-255	Continuous FOCUS Adjustment from NEAR to FAR
		16	0-255	Continuous FINE FOCUS Adjustment
10	12	17	0-255	ZOOM Adjustment from SMALL to BIG
		18	0-255	ZOOM FINE Adjustment
11	13	19	0-50	Auto Focus OFF
			51-150	15m
			151-255	20m
12	14	20	0-255	Continuous FINE AUTO FOCUS Adjustment



**ELATION PLATINUM HFX**  
**DMX Channel Values / Functions (26 DMX Channels)**

Features are subject to change without any prior written notice.

\*Rotation direction (Clockwise or Counterclockwise) of COLOR, GOBO, and PRISM effects depends on orientation of the fixture head.

MODE / CHANNEL			VALUE	FUNCTION
BASIC	STAND	EXTEND		
13	15	21	0-31	Shutter CLOSED
			32-63	NO Function (Shutter OPEN)
			64-95	Strobe Effect SLOW to FAST
			96-127	NO function (Shutter OPEN)
			128-159	Pulse Effect In Sequences
			160-191	NO Function (Shutter OPEN)
			192-223	Random Strobe Effect SLOW to FAST
			224-255	NO Function (Shutter OPEN)
14	16	22	0-255	Intensity 0 to 100%
		23	0-255	Dimmer Intensity FINE Adjustment
15	17	24	0-127	OPEN
			128-255	100% Frost
16	18	25	0-225	MAX to MIN Speed
			226-235	Blackout with PAN and TILT Movement
			236-245	Blackout with ALL Wheel Movement
			246-255	NO Function
17	19	26	0-19	Color Change Normal
			20-29	Color Change to Any Position
			30-39	Color & Static-Fixed Gobo Change to Any Position
			40-59	Lamp ON
			60-79	Lamp Switch OFF
			80-84	ALL Motor Reset
			85-87	PAN & TILT Motors Reset
			88-90	COLORS Motor Reset
			91-93	GOBOS Motor Reset
			94-96	SHUTTER & DIMMER Motor Reset
			97-99	OTHER Motor Reset
			100-119	Internal Program 1 (Scene1-8)
			120-139	Internal Program 2 (Scene 9-16)
			140-159	Internal Program 3 (Scene 17-24)
			160-179	Internal Program 4 (Scene 25-32)
			180-199	Internal Program 5 (Scene 33-40)
200-219	Internal Program 6 (Scene 41-48)			
220-239	Internal Program 7 (Scene 49-56)			
		240-255	Reserved	

## **E R R O R   C O D E S**

When power is applied, the unit will automatically enter a **“Reset/Test”** mode. This mode brings all the internal motors to a home position. If there is an internal problem with one or more of the motors an error code will flash in the display in the form of **“XXer”** where as XX will represent a function number. For example, when the display shows **“0Er”** it means there is some type of error with the Pan motor. If there are multiple errors during the start-up process they will all flash in the display. For example: if the fixtures has errors on **Channel 1, 2, and 5** all at the same time, you will see the error message **“01Er”, “02Er”, and “05Er”** flash repeated 5 times.

If an error does occur during the initial start-up procedure the fixture will self-generate a second reset signal and try to realign all the motors and correct the errors. If the error persists after a second attempt a third attempt will be made. If after a third attempt all the errors have not been corrected the fixture will make the following determinations:

- **3 or More Errors** - The fixture cannot function properly with three or more errors therefore the fixture will place itself in a stand-by mode until subsequent repairs can be made.
- **Less Than 3 Errors** - The fixture has less than 3 errors; therefore most other functions will work properly. The fixture will attempt to operate normally until the errors can be correct by a technician. The errors in question will remain flashing in the display as a reminder of internal errors.

## ELATION PLATINUM HFX ERROR CODES

Error Codes are subject to change without any prior written notice.

ERROR CODE	DESCRIPTION
<b>PAN Er</b>	The PAN movement is not located in the default position after the reset. This message will appear after a fixture reset if the magnetic-indexing circuit malfunctions (sensor failed or magnet is missing) or there is a motor failure (defective motor or a defective motor IC drive on the main PCB). This error may also be displayed if the head/yoke was blocked during a reset function.
<b>TILT Er</b>	The TILT movement is not located in the default position after the reset. This message will appear after a fixture reset if the magnetic-indexing circuit malfunctions (sensor failed or magnet is missing) or there is a motor failure (defective motor or defective motor IC drive on main PCB). This error may also be displayed if the head was blocked during a reset function.
<b>Color Wheel Er</b>	The Color Wheel is not located in the default position after the reset. This message will appear after the reset of the fixture reset if the magnetic-indexing circuit malfunctions (sensor failed or magnet is missing) or there is a stepper motor failure (defective motor or defective motor IC drive on main PCB).
<b>Gobo Wheel Er</b>	The Rotating Gobo Wheel movement is not located in the default position after the reset. This message will appear after a fixture reset if the gobo wheel's magnetic-indexing circuit malfunctions (sensor failed or magnet is missing) or there is a stepper motor failure (defective motor or defective motor IC drive on main PCB).
<b>Gobo Rot. Er</b>	The Rotating Gobo movement is not located in the default position after the reset. This message will appear after a fixture reset if the gobo wheel's magnetic-indexing circuit malfunctions (sensor failed or magnet is missing) or there is a stepper motor failure (defective motor or defective motor IC drive on main PCB).
<b>Fixed Gobo Wheel Er</b>	The Fixed Gobo Wheel movement is not located in the default position after the reset. This message will appear after a fixture reset if the gobo wheel's magnetic-indexing circuit malfunctions (sensor failed or magnet is missing) or there is a stepper motor failure (defective motor or defective motor IC drive on main PCB).
<b>Prsim Er</b>	The Prism movement is not located in the default position after the reset. This message will appear after the reset of the fixture reset if the magnetic-indexing circuit malfunctions (sensor failed or magnet is missing) or there is a stepper motor failure (defective motor or defective motor IC drive on main PCB).
<b>Prsim Rot. Er</b>	The Prism Rotation movement is not located in the default position after the reset. This message will appear after the reset of the fixture reset if the magnetic-indexing circuit malfunctions (sensor failed or magnet is missing) or there is a stepper motor failure (defective motor or defective motor IC drive on main PCB).

**ELATION PLATINUM HFX  
ERROR CODES**

Specifications and features are subject to change without any prior written notice.

<b>ERROR CODE</b>	<b>DESCRIPTION</b>
<b>Zoom Er</b>	The Zoom movement is not located in the default position after the reset. This message will appear after the reset of the fixture reset if the magnetic-indexing circuit malfunctions (sensor failed or magnet is missing) or there is a stepper motor failure (defective motor or defective motor IC drive on main PCB).
<b>Focus Er</b>	The Focus movement is not located in the default position after the reset. This message will appear after the reset of the fixture reset if the magnetic-indexing circuit malfunctions (sensor failed or magnet is missing) or there is a stepper motor failure (defective motor or defective motor IC drive on main PCB).
<b>Dimmer Er</b>	The Dimmer movement is not located in the default position after the reset. This message will appear after the reset of the fixture reset if the magnetic-indexing circuit malfunctions (sensor failed or magnet is missing) or there is a stepper motor failure (defective motor or defective motor IC drive on main PCB).
<b>2U_Fan1Fault</b>	Error information from JB1 port on 2U01 PCB.
<b>2U_Fan2Fault</b>	Error information from JB2 port on 2U01 PCB.
<b>3U_Fan1Fault</b>	Error information from JB1 port on 3U01 PCB. Displayed as 3U_Fan1 RPM <1500.
<b>3U_Fan2Fault</b>	Error information from JB1 port on 2U01 PCB. Displayed as 3U_Fan2 RPM <1500.
<b>4U_Fan1Fault</b>	Error information from JB1 port on 4U01 PCB. Displayed as 4U_Fan1 RPM <2500.

**ELATION PLATINUM HFX  
ERROR CODES**

Specifications and features are subject to change without any prior written notice.

<b>ERROR CODE</b>	<b>DESCRIPTION</b>
<b>4U_Fan2Fault</b>	Error information from JB2 port on 4U01 PCB. Displayed as 4U_Fan2 RPM <2500.
<b>Accelerometer Error</b>	Calibration of Accelerometer failed.
<b>Accelerometer ID Error</b>	Accelerometer failed to read ID information.
<b>Error found see log</b>	Hint of error message as Reset of Channels. Please check Error Info.
<b>REPLACE THE LAMP</b>	

# **S P E C I F I C A T I O N S**

## **SOURCE**

Phillips™ MSD Platinum 14R 280W Lamp

2,000 Hour Average Lamp Life\*

\*May vary depending on several factors including but not limited to:  
Environmental Conditions, Power/Voltage, Usage Patterns (On-Off Cycling), Control, and Dimming.

## **EFFECTS**

8-Facet and Linear Rotating and 10-Facet Static Prisms

Strobe and Electronic Dimming

Zoom, Iris, Wash Frost Filter

## **COLOR**

13 Dichroic Colors Including UV and Quad Color (RGBY)

CTO and CTB Color Correction

## **GOBOS**

(2) Gobo Wheels

(8) Interchangeable / Rotating / Indexing Glass Gobos

(12) Static-Stamped Gobos (Indexing Wheel)

## **CONTROL / CONNECTIONS**

(3) DMX Channel Modes (17 / 19 / 26)

RDM (Remote Device Management)

6 Button Touch Control Panel

Full Color 180° Reversible LCD Menu Display

8 / 16 Bit Resolution Adjustable Movement

5pin DMX In/Out

RJ45 Ethernet In/Out (Art-NET)

Power In/Out

## **SIZE / WEIGHT**

Length: 15.2" (466mm)

Width: 16.9" (430mm)

Vertical Height: 25.9" (675.5mm)

Weight: 50.0 lbs. (22.7 kg)

## **ELECTRICAL / THERMAL**

AC 100-240V - 50/60Hz

450W Max Power Consumption

14°F to 113°F (-10°C to 45°C)

## **APPROVALS / RATINGS**

CE | IP20



**Intertek**  
**4010832**

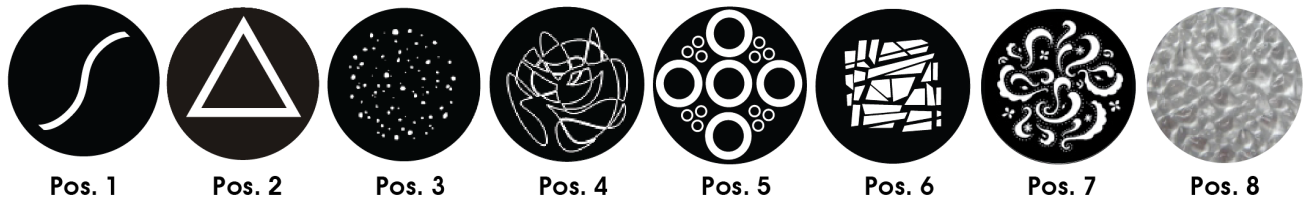
Please Note: Specifications and improvements in the design of this unit and this manual are subject to change without any prior written notice.

## COLORS AND GOBOS

### COLOR WHEEL



### INTERCHANGEABLE-ROTATING GOBO WHEEL 1 - OD: Ø13.8mm\*\* ID: Ø9.0mm



### STATIC-STAMPED GOBO WHEEL 2



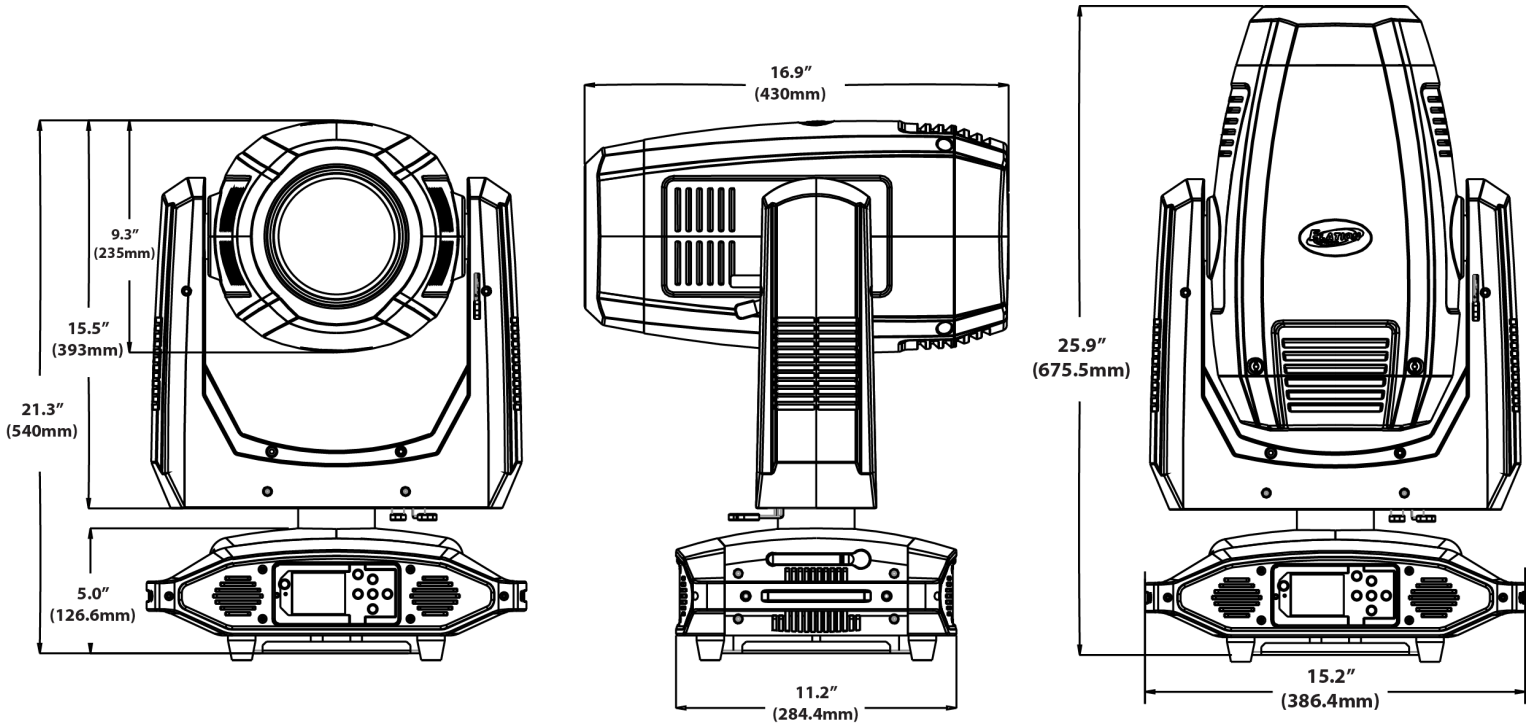
### \*\*IMPORTANT NOTICE REGARDING GOBO DIMENSIONS AND CUSTOM GOBOS

OD = Outside Diameter | ID = Image Diameter

Due to varying manufacturing processes, it is highly recommended to provide a gobo and holder sample from the fixture to 3rd party custom gobo vendors for accurate sizing.

Please Note: Specifications and improvements in the design of this unit and this manual are subject to change without any prior written notice.

## DIMENSIONAL DRAWINGS



Please Note: Specifications and improvements in the design of this unit and this manual are subject to change without any prior written notice.

## FCC STATEMENT

This device complies with Part 15 of the FCC Rules. Operation is subject to the following two conditions: (1) this device may not cause harmful interference, and (2) this device must accept any interference received, including interference that may cause undesired operation.

## FCC RADIO FREQUENCY INTERFERENCE WARNINGS & INSTRUCTIONS

This product has been tested and found to comply with the limits as per Part 15 of the FCC Rules. These limits are designed to provide reasonable protection against harmful interference in a residential installation. This device uses and can radiate radio frequency energy and, if not installed and used in accordance with the included instructions, may cause harmful interference to radio communications. However, there is no guarantee that interference will not occur in a particular installation. If this device does cause harmful interference to radio or television reception, which can be determined by turning the device off and on, the user is encouraged to try to correct the interference by one or more of the following methods:

- Reorient or relocate the device.
- Increase the separation between the device and the receiver.
- Connect the device to an electrical outlet on a circuit different from which the radio receiver is connected.
- Consult the dealer or an experienced radio/TV technician for help.



## OPTIONAL ACCESSORIES

ORDER CODE	ITEM
ZB-MSD PLATINUM 14R	Philips MSD Platinum 14R Lamp
TRIGGER CLAMP	Heavy Duty Wrap Around Hook Style Clamp
DRCHFX	Dual Road Case For Platinum HFX™
AC5PDMX5PRO	5 ft. (1.5m) 5pin PRO DMX Cable
CAT6PRO5	5 ft. (1.5m) CAT6 Cable
PLC6	6 ft. (1.8m) Power Link Cable
	Additional Cable Lengths Available

