

# DW FRESNEL™

user manual

©2015 ELATION PROFESSIONAL all rights reserved. Information, specifications, diagrams, images, and instructions herein are subject to change without notice. ELATION PROFESSIONAL logo and identifying product names and numbers herein are trademarks of ELATION PROFESSIONAL. Copyright protection claimed includes all forms and matters of copyrightable materials and information now allowed by statutory or judicial law or hereinafter granted. Product names used in this document may be trademarks or registered trademarks of their respective companies and are hereby acknowledged. All non-ELATION brands and product names are trademarks or registered trademarks of their respective companies.

**ELATION PROFESSIONAL** and all affiliated companies hereby disclaim any and all liabilities for property, equipment, building, and electrical damages, injuries to any persons, and direct or indirect economic loss associated with the use or reliance of any information contained within this document, and/or as a result of the improper, unsafe, insufficient and negligent assembly, installation, rigging, and operation of this product.

**Elation Professional USA** | 6122 S. Eastern Ave. | Los Angeles, CA. 90040  
323-582-3322 | 323-832-9142 fax | [www.elationlighting.com](http://www.elationlighting.com) | [info@elationlighting.com](mailto:info@elationlighting.com)

**Elation Professional B.V.** | Junostraat 2 | 6468 EW Kerkrade, Netherlands  
+31 45 546 85 66 | +31 45 546 85 96 fax | [www.elationlighting.eu](http://www.elationlighting.eu) | [info@elationlighting.eu](mailto:info@elationlighting.eu)

## DOCUMENT VERSION



Please check [www.elationlighting.com](http://www.elationlighting.com) for the latest revision/update of this manual.

Date	Document Version	Software Version	DMX Channel Modes	Notes
6/26/15	1	≥1.1.4	2 / 3 / 8	Updated photometric data.

## CONTENTS

General Information	4
Warranty	6
Safety Instructions	7
General Guidelines	8
Fixture Overview	9
Fixture Installation	10
Barn Door And Gel Frame Installation	13
Understanding DMX	14
Fixture Menu	18
DMX Channel Functions And Values	25
Cleaning and Maintenance	26
Technical Specifications	27
Optional Accessories	29

## GENERAL INFORMATION

### INTRODUCTION

Congratulations, you have just purchased one of the most innovative and reliable lighting fixtures on the market today! The **DW FRESNEL™** has been designed to perform reliably for years when the guidelines in this booklet are followed. Please read and understand the instructions in this manual carefully and thoroughly before attempting to operate this unit. These instructions contain important information regarding safety during use and maintenance.

### UNPACKING

Thank you for purchasing the **DW FRESNEL™** by Elation Professional®. Every **DW FRESNEL™** has been thoroughly tested and has been shipped in perfect operating condition. Carefully check the shipping carton for damage that may have occurred during shipping. If the carton appears to be damaged, carefully inspect your unit for damage and be sure all accessories necessary to operate the unit have arrived intact. In the event damage has been found or parts are missing, please contact our customer support team for further instructions. Please do not return this unit to your dealer without first contacting customer support at the number listed below. Please do not discard the shipping carton in the trash. Please recycle whenever possible.

### BOX CONTENTS

- (1 set) Rotating Barn Door, Gel Frame, Frost Filter
- (1) 3pin DMX Cable
- (1) Power Cable
- User Manual & Warranty Card

## **CUSTOMER SUPPORT**

Elation Professional® provides a customer support line, to provide set up help and to answer any question should you encounter problems during your set up or initial operation. You may also visit us on the web at [www.elationlighting.com](http://www.elationlighting.com) for any comments or suggestions. For service related issue please contact Elation Professional®.

### **ELATION SERVICE USA - Monday - Friday 8:00am to 5:00pm PST**

**Voice: 323-582-3322**

**Fax: 323-832-9142**

E-mail: [support@elationlighting.com](mailto:support@elationlighting.com)

### **ELATION SERVICE EUROPE - Monday - Friday 08:30 to 17:00 CET**

**Voice: +31 45 546 85 30**

**Fax: +31 45 546 85 96**

E-mail: [support@elationlighting.eu](mailto:support@elationlighting.eu)

## **WARRANTY REGISTRATION**

Please fill out the enclosed warranty card to validate your purchase. All returned service items whether under warranty or not, must be freight pre-paid and accompany a return authorization (R.A.) number. The R.A. number must be clearly written on the outside of the return package. A brief description of the problem as well as the R.A. number must also be written down on a piece of paper and included in the shipping container. If the unit is under warranty, you must provide a copy of your proof of purchase invoice. Items returned without a R.A. number clearly marked on the outside of the package will be refused and returned at customer's expense. You may obtain a R.A. number by contacting customer support.

### **IMPORTANT NOTICE!**



**There are no user serviceable parts inside this unit. Do not attempt any repairs yourself; doing so will void your manufactures warranty. Damages resulting from modifications to this fixture and/or the disregard of safety and general user instructions found in this user manual void the manufactures warranty and are not subject to any warranty claims and/or repairs.**

## LIMITED WARRANTY

A. Elation Professional® hereby warrants, to the original purchaser, Elation Professional® products to be free of manufacturing defects in material and workmanship for a period of two years (730 days), and Elation Professional® product rechargeable batteries to be free of manufacturing defects in material and workmanship for a period of six months (180 days), from the original date of purchase. This warranty excludes discharge lamps and all product accessories. This warranty shall be valid only if the product is purchased within the United States of America, including possessions and territories. It is the owner's responsibility to establish the date and place of purchase by acceptable evidence, at the time service is sought.

B. For warranty service, send the product only to the Elation Professional® factory. All shipping charges must be pre-paid. If the requested repairs or service (including parts replacement) are within the terms of this warranty, Elation Professional® will pay return shipping charges only to a designated point within the United States. If any product is sent, it must be shipped in its original package and packaging material. No accessories should be shipped with the product. If any accessories are shipped with the product, Elation Professional® shall have no liability what so ever for loss and/or or damage to any such accessories, nor for the safe return thereof.

C. This warranty is void if the product serial number and/or labels are altered or removed; if the product is modified in any manner which Elation Professional® concludes, after inspection, affects the reliability of the product; if the product has been repaired or serviced by anyone other than the Elation Professional® factory unless prior written authorization was issued to purchaser by Elation Professional®; if the product is damaged because not properly maintained as set forth in the product instructions, guidelines and/or user manual.

D. This is not a service contract, and this warranty does not include any maintenance, cleaning or periodic check-up. During the periods as specified above, Elation Professional® will replace defective parts at its expense, and will absorb all expenses for warranty service and repair labor by reason of defects in material or workmanship. The sole responsibility of Elation Professional® under this warranty shall be limited to the repair of the product, or replacement thereof, including parts, at the sole discretion of Elation Professional®. All products covered by this warranty were manufactured after January 1, 1990, and bare identifying marks to that effect.

E. Elation Professional® reserves the right to make changes in design and/or performance improvements upon its products without any obligation to include these changes in any products theretofore manufactured.

F. No warranty, whether expressed or implied, is given or made with respect to any accessory supplied with the products described above. Except to the extent prohibited by applicable law, all implied warranties made by Elation Professional® in connection with this product, including warranties of merchantability or fitness, are limited in duration to the warranty periods set forth above. And no warranties, whether expressed or implied, including warranties of merchantability or fitness, shall apply to this product after said periods have expired. The consumer's and/or dealer's sole remedy shall be such repair or replacement as is expressly provided above; and under no circumstances shall Elation Professional® be liable for any loss and/or damage, direct and/or consequential, arising out of the use of, and/or the inability to use, this product.

G. This warranty is the only written warranty applicable to Elation Professional® products and supersedes all prior warranties and written descriptions of warranty terms and conditions heretofore published.

## SAFETY INSTRUCTIONS



The **DW FRESNEL™** is an extremely sophisticated piece of electronic equipment. To guarantee a smooth operation, it is important to follow the guidelines in this manual. The manufacturer of this device will not accept responsibility for damages resulting from the misuse of this fixture due to the disregard of the information printed in this manual.



This device falls under **PROTECTION CLASS 1**. It's essential this device be grounded properly. Only qualified personnel should perform all electrical connections.



**KEEP THIS FIXTURE AWAY FROM RAIN AND MOISTURE!**



**UNPLUG POWER BEFORE SERVICING FIXTURE**



**NEVER TOUCH FIXTURE DURING OPERATION AS IT MAY BE HOT**



**NEVER LOOK DIRECTLY INTO THE LIGHT SOURCE  
SENSITIVE PERSONS MAY SUFFER AN EPILEPTIC SHOCK**

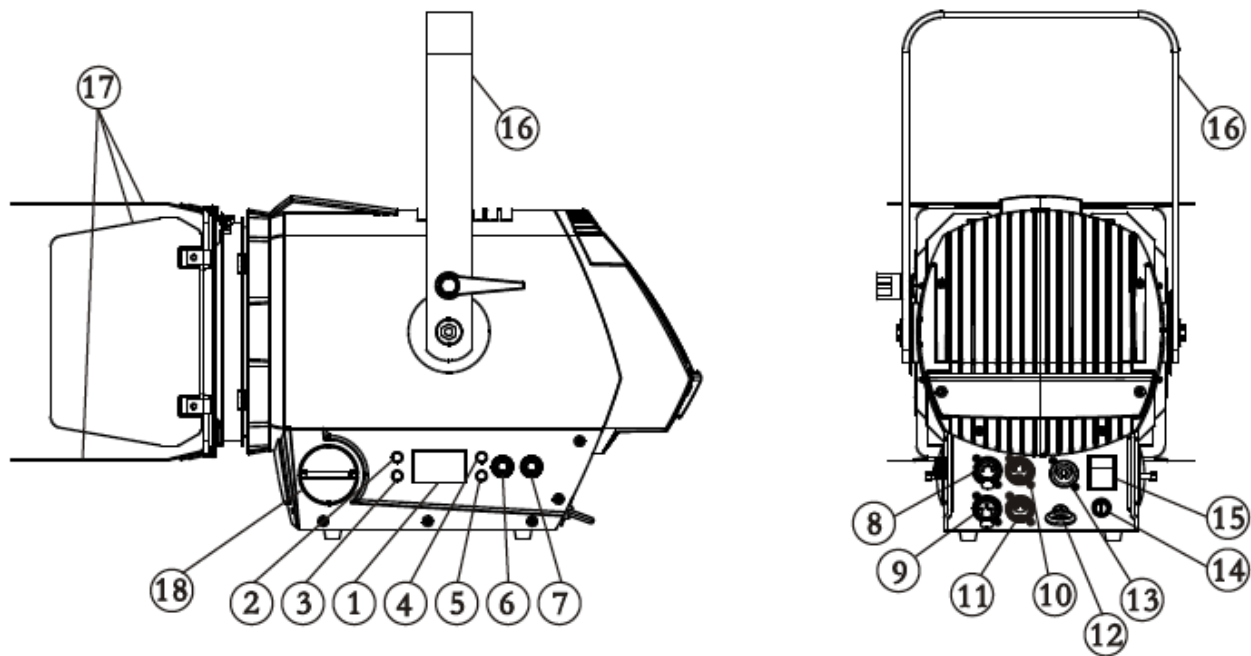
- For proper operation, follow the **Installation** guidelines described in this manual. Only qualified and certified personnel should perform installation of this fixture and only the original rigging parts (brackets) included with this fixture should be used for installation. Any modifications will void the original manufacturer's warranty and increase the risk of damage and/or personal injury.
- Never look directly into the light source of this fixture to prevent risk of injury to your retina, which may induce blindness. Those suffering from **EPILEPSY** should avoid looking directly into the light source of this unit at all times.
- The fan and air inlets must remain clean and never blocked. Allow approx. 6" (15cm) between this fixture and other devices or a wall for proper cooling.
- Always disconnect from main power source before performing any type of service and/or cleaning procedure. Only handle the power cord by the plug end, never pull out the plug by tugging the wire portion of the cord.
- Do not operate this fixture if the power cord has become frayed, crimped and/or damaged. If the power cord is damaged, replace it immediately with a new one of similar power rating.

## GENERAL GUIDELINES

- **NEVER OPEN THIS FIXTURE WHILE IN USE!**
- During the initial operation of this fixture, a light smoke or smell may emit from the interior of the fixture. This is a normal process and is caused by excess paint in the interior of the casing burning off from the heat associated with the lamp and will decrease gradually over time.
- This fixture is a professional lighting effect designed for **INDOOR / DRY LOCATIONS ONLY** on stage, in nightclubs, theatres, etc.
- Please make sure there are **NO FLAMMABLE MATERIALS** close to the fixture while operating, to prevent any fire hazard.
- The fixture must be installed in a location with adequate ventilation, at least 1.5 feet (.5m) from adjacent surfaces. Be sure no air ventilation slots are blocked.
- **DO NOT** attempt installation and/or operation without knowledge how to do so.
- **DO NOT** permit operation by persons who are not qualified to operate this type of fixture. Most damages are the result of operations by nonprofessionals.
- Consistent operational breaks may ensure the fixture will function properly for many years to come.
- **DO NOT** shake fixture, avoid brute force when installing and/or operating fixture.
- Always install the fixture with an appropriate safety cable. When installing the fixture in a suspended environment, always use mounting hardware that is no less than M10 x 25 mm, also be sure the hardware is insert in the pre-arranged screw holes in the bracket of the fixture.
- Use the original packaging and materials to transport the fixture in for service.
- **DO NOT TOUCH** the housing bare-hand during its operation. Turn OFF the power and allow approximately 15 minutes for the fixture to cool down before replacing or serving.



## FIXTURE OVERVIEW



- |                              |                         |
|------------------------------|-------------------------|
| 1. LCD Menu Function Display | 10. 5pin DMX OUT        |
| 2. UP Button                 | 11. 5pin DMX IN         |
| 3. DOWN Button               | 12. Safety Cable Eyelet |
| 4. MODE/ESC Button           | 13. Power IN            |
| 5. ENTER Button              | 14. Fuse                |
| 6. Color Temperature Dial    | 15. Power Switch        |
| 7. Dimmer Dial               | 16. Yoke                |
| 8. 3pin DMX OUT              | 17. Barn Doors          |
| 9. 3pin DMX IN               | 18. Zoom Dial           |

## FIXTURE INSTALLATION



### **FLAMMABLE MATERIAL WARNING**

Keep fixture at least 5.0 ft. (1.5m) away from any flammable materials, decorations, pyrotechnics, etc.



### **ELECTRICAL CONNECTIONS**

A qualified electrician should be used for all electrical connections and/or installations.

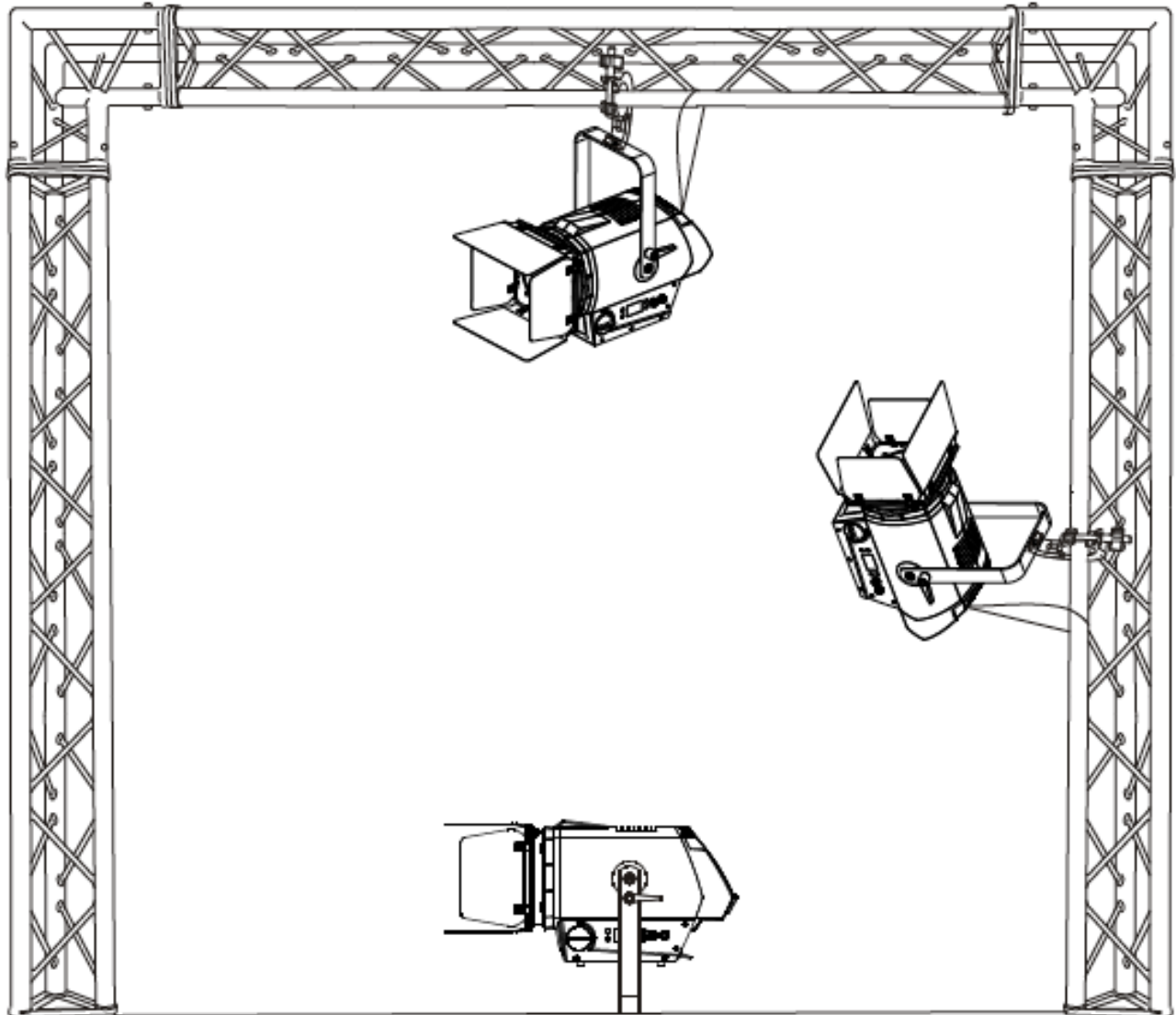


### **CAUTIONS**

- For added protection, mount the fixture in areas outside walking paths, seating areas, or in areas where unauthorized personnel might reach the fixture.
- Ambient operating temperature range for this fixture is **14° to 113°F. (-10° to 45°C)**  
Do not use the fixture under or above this temperature.
- Before mounting the fixture to any surface, make sure the installation area can hold a minimum point load of 10 times the weight of the fixture. **(240 lbs / 109 kg)**
- Fixture installation must always be secured with a secondary safety attachment, such as an appropriate safety cable.
- Never stand directly below the device when mounting, removing or servicing.

## MOUNTING POINTS

- Overhead mounting requires extensive experience, including amongst others calculating working load limits, installation material being used, and periodic safety inspection of all installation material and the device. If you lack these qualifications, do not attempt the installation yourself. Improper installation can result in bodily injury.
- Fixture is fully operational in the specific mounting positions as illustrated below.

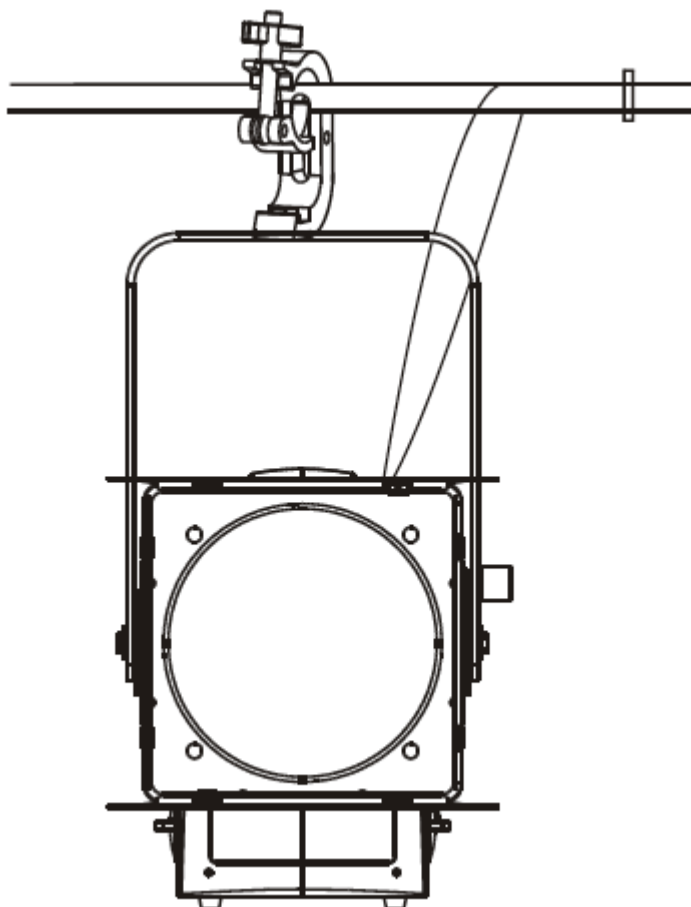


## SAFETY CABLE

**Always use a Safety Cable whenever installing this fixture in a suspended environment to ensure the fixture will not drop if the clamp fails.**

## CLAMP MOUNTING

The **DW FRESNEL™** includes an adjustable mounting yoke and safety cable rigging point attached to the fixture (see the illustration below). When mounting this fixture to truss be sure to secure an appropriately rated clamp (not included) to the yoke using an M10 screw fitted through the center hole of the clamp. Be sure to attach the included **Safety Cable** to the fixture using the safety cable rigging point.

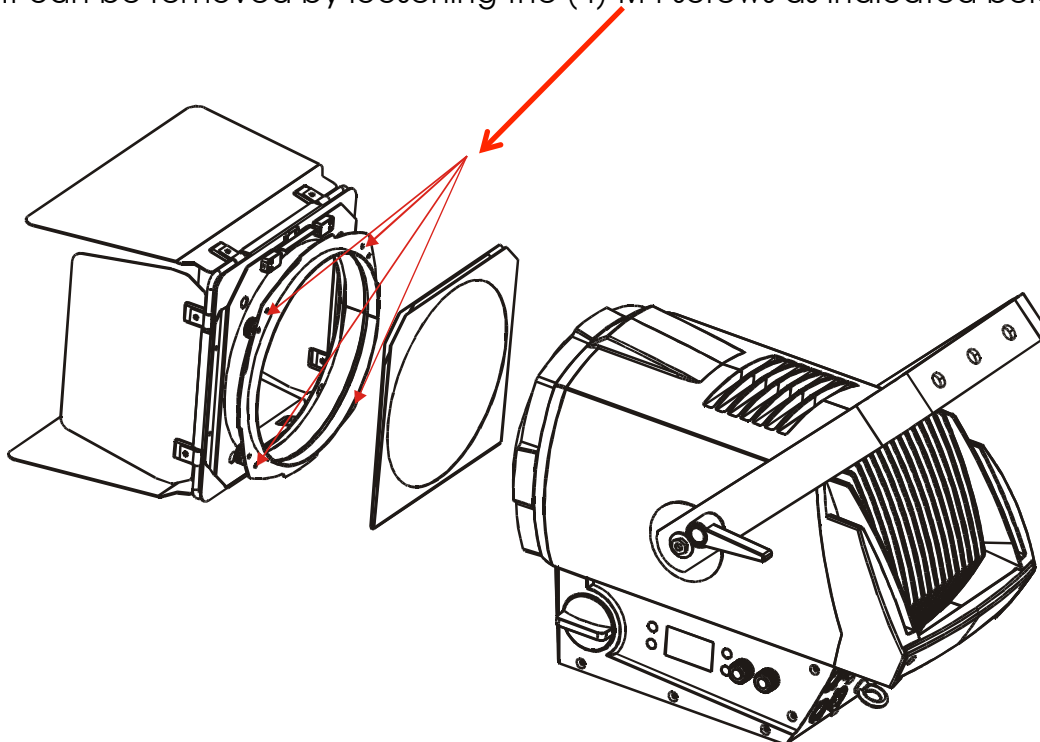


## SECURING

Regardless of the rigging option you choose for your **DW FRESNEL™** always be sure to secure your fixture with a safety cable. The fixture provides a built-in rigging point for a safety cable on the hanging bracket as illustrated above. Be sure to only use the designated rigging point for the safety cable and never secure a safety cable to a carrying handle.

## BARN DOOR AND FROST FILTER

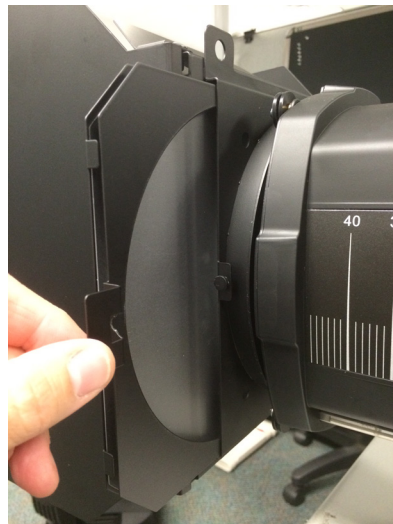
The **DW FRESNEL™** Barn Door and the Frost Filter Gel Frame Assembly are preinstalled for your convenience. Should you have a need to remove the assembly for any reason, it can be removed by loosening the (4) M4 screws as indicated below.



### GEL FRAME REMOVAL AND INSTALLATION

The preinstalled Gel Frame comes with a standard Frost Filter. The Gel Frame can be removed from the Barn Door Assembly if it's not needed and/or to install a different type of gel. **TO REMOVE** the Gel Frame, unhook the locking tab and slide it out away from the Barn Door Assembly. **TO INSTALL** the Gel Frame, slide it into the Barn Door Assembly and hook the locking tab in place.

#### LOCKING TAB



## UNDERSTANDING DMX

### DMX-512

DMX is short for Digital Multiplex. This is a universal protocol used by most lighting and controller manufactures as a form of communication between intelligent fixtures and controllers. DMX allows all makes and models of different manufactures to be linked together and operate from a single controller. This is possible as long as all the fixtures and the controller are DMX compliant. A DMX controller sends the DMX data instructions to the fixture allowing the user to control the different aspects of an intelligent light. DMX data is sent out as serial data that travels from fixture to fixture via data "IN" and data "OUT" XLR terminals located on the fixtures (most controllers will only have output jacks).

### DMX LINKING

To ensure proper DMX data transmission, always use proper DMX cables and a terminator. When using several DMX fixtures try to use the shortest cable path possible. Never split a DMX line with a "Y" style connector. The order in which the fixtures are connected in a DMX line does not influence the DMX addressing. For example; a fixture assigned a starting DMX address of 1 may be placed anywhere in the DMX chain, at the beginning, at the end, or anywhere in the middle. The DMX controller knows to send data assigned to address 1 to that fixture no matter where it is located in the DMX chain. The **DW FRESNEL™** can be controlled via DMX-512 protocol and the DMX address is set via the control menu.

### DATA CABLE (DMX Cable) REQUIREMENTS (For DMX and Master/Slave Operation)

Your fixture and your DMX controller require a standard 3pin or 5pin XLR connector for data input and data output (see figure below). If you are making your own cables, be sure to use two conductor, shielded digital DMX cable rated at 120 ohms; this cable is designed for DMX transmission and may be purchased from your Elation dealer or at most professional lighting retailers. Your cables should be made with a male and female XLR connector on either end of the cable. Also, remember that a DMX line must be daisy chained and cannot be split, unless using an approved DMX splitter such as **Elation's Opto Branch 4™, Opto Branch 8™, or DMX-Branch/4™**.

DMX Output  
3-Pin XLR Socket



DMX Input  
3-Pin XLR Socket



- 1: Ground
- 2: Data (-)
- 3: Data (+)

DMX Output  
5-Pin XLR Socket



DMX Input  
5-Pin XLR Socket



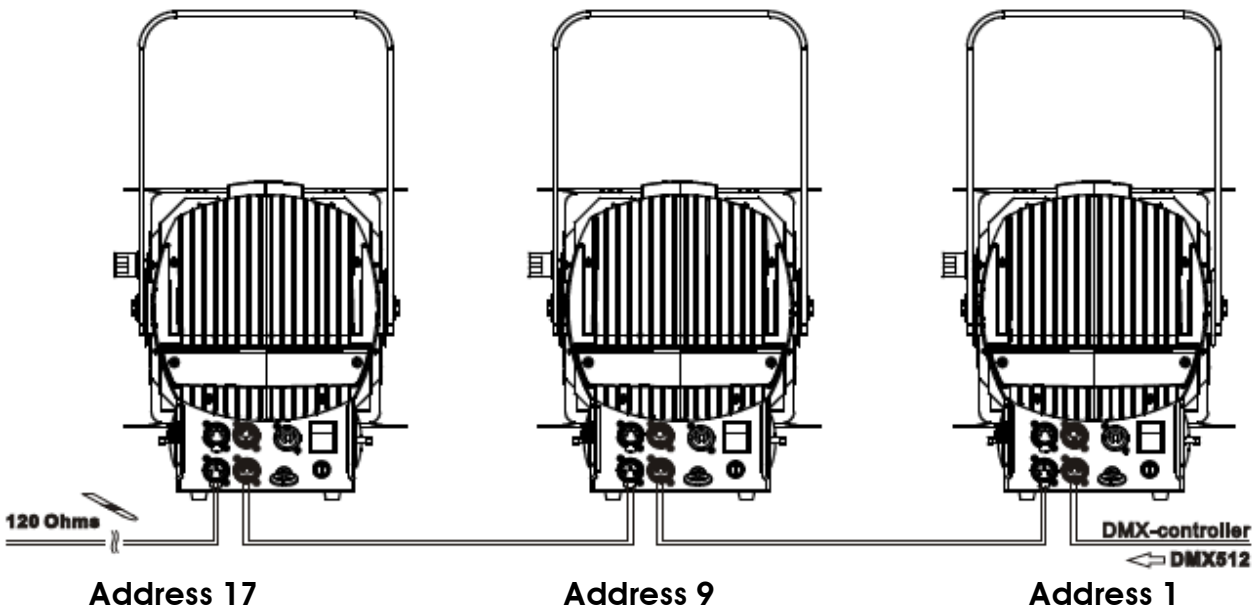
- 1: Ground
- 2: Data (-)
- 3: Data (+)
- 4: Open
- 5: Open



Be sure to follow the above figure when making your own cables. Do not use the ground lug on the XLR connector. Do not connect the cable's shield conductor to the ground lug or allow the shield conductor to come in contact with the XLR outer casing. Grounding the shield could cause a short circuit and erratic behavior.

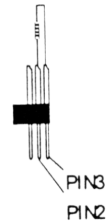
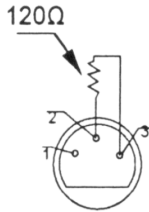
### DMX-512 CONTROLLER CONNECTION

Connect the provided XLR cable to the female XLR output of your controller and the other side to the male XLR input of the **DW FRESNEL™**. The diagram below illustrates a typical DMX-512 connection when the fixture is in the **8 Channel Mode**. You can chain multiple panels together through serial linking. The cable that should be used is two conductor, shielded DMX cable with XLR input and output connectors. Always be sure daisy chain your in and out data connections, never split or "Y" your DMX connections unless you are using an approved DMX splitter such as **Elation's Opto Branch 4™, Opto Branch 8™, or DMX-Branch/4™**.



## DMX-512 CONNECTION WITH DMX TERMINATOR

A DMX terminator should be used in all DMX lines especially in longer runs. The use of a terminator may avoid erratic behavior in your DMX line. A terminator is a 120 ohm 1/4 watt resistor that is connected between pins 2 and 3 of a male XLR connector (DATA + and DATA -). This fixture is inserted in the female XLR connector of the last fixture in your daisy chain to terminate the line. Using a line terminator will decrease the possibilities of erratic behavior.



Termination reduces signal errors and avoids signal transmission problems and interference. It is always advisable to connect a DMX terminal, (Resistance 120 Ohm 1/4 W) between PIN 2 (DMX-) and PIN 3 (DMX +) of the last fixture.

## 5pin XLR DMX CONNECTORS

Some manufactures use 5pin XLR connectors for DATA transmission in place of 3pin. 5pin XLR fixtures may be implemented in a 3pin XLR DMX line. When inserting standard 5pin XLR connectors in to a 3pin line a cable adaptor must be used, these adaptors are readily available at most electric stores. The following chart details a proper cable conversion.

3-Pin XLR to 5-Pin XLR Conversion		
Conductor	3-Pin XLR Female (Out)	5-Pin XLR Male (In)
Ground/Shield	Pin 1	Pin 1
Data Compliment (- signal)	Pin 2	Pin 2
Data True (+ signal)	Pin 3	Pin 3
Not Used		Pin 4 - Do Not Use
Not Used		Pin 5 - Do Not Use



## DMX ADDRESSING

All fixtures should be given a DMX starting address when using a DMX controller, so the correct fixture responds to the correct control signal. This digital starting address is the channel number from which the fixture starts to “listen” to the digital control information sent out from the DMX controller. The allocation of this starting DMX address is achieved by setting the correct DMX address on the digital display located on the back of the fixture.

You can set the same starting address for all fixtures or a group of fixtures, or set different address for each individual fixture. Be advised that setting all fixtures to the same DMX address will subsequently control all fixtures in the same fashion, in other words, changing the settings of one channel will affect all the fixtures simultaneously.

If you set each fixture to a different DMX address, each unit will start to “listen” to the channel number you have set, based on the quantity of control channels (DMX channels) of each fixture. That means changing the settings of one channel will only affect the selected fixture.

In the case of the **DW FRESNEL™**, when in the **8 Channel Mode** you should set the starting DMX address of the first unit to 1, the second unit to 9 (1 + 8), the third unit to 17 (9 + 8), and so on.

**Note:** During start-up the **DW FRESNEL™** will automatically detect whether a DMX data signal is being received or not. If the fixture is not receiving a DMX signal please check the following:

- The 3pin or 5pin XLR input plug (cable with DMX signal from controller) is not connected or is not inserted completely into the DMX input jack of the fixture.
- The DMX controller is switched off or defective.
- The DMX cable or connector is defective.
- A DMX terminator has been inserted into the last fixture in your DMX chain.

## FIXTURE MENU

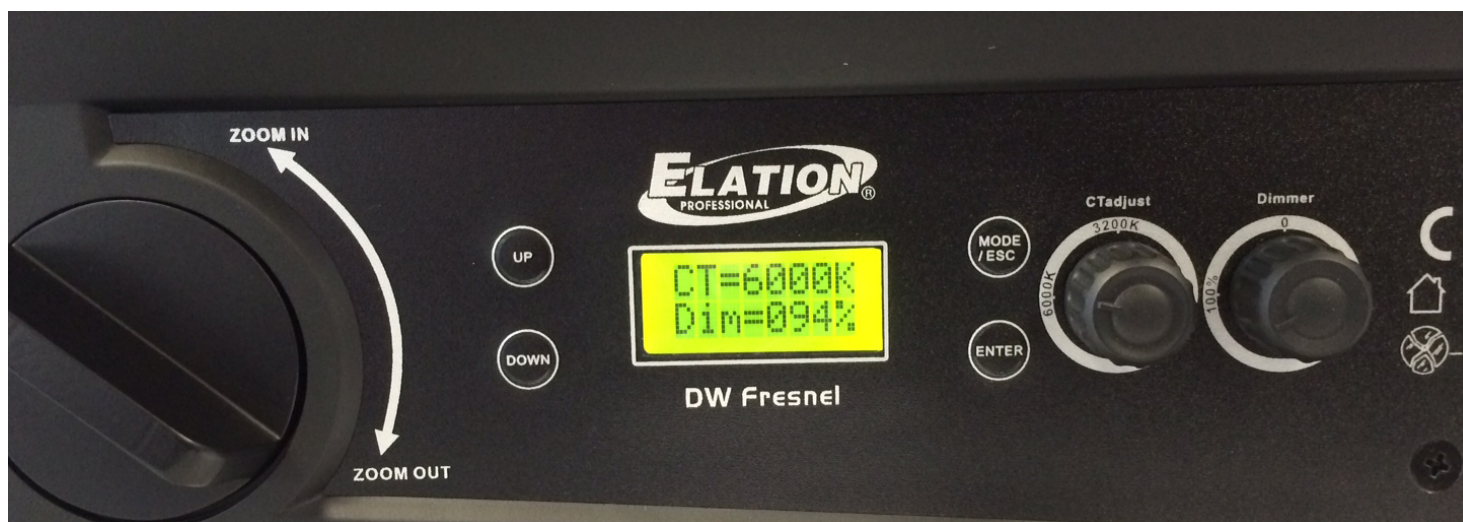
### ON-BOARD SYSTEM MENU

The **DW FRESNEL™** comes with an easy to navigate system menu. The next section will detail the functions of each command in the system menu.

### LCD MENU CONTROL PANEL

The control panel (see image below) located on the fixture allows you to access the main menu and make all necessary adjustments to the **DW FRESNEL™**. During normal operation, pressing **MODE/ESC** button once will access the fixture's main menu. Once in the main menu you can navigate through the different functions and access the sub-menus with the **UP** and **DOWN** buttons. Once you reach a field that requires adjusting, press the **ENTER** button to activate that field and use the **UP** and **DOWN** buttons to adjust the field. Pressing the **ENTER** button once more will confirm your setting. You may exit the main menu at any time without making any adjustments by pressing the **MODE/ESC** button.

There are (3) manual knobs, which can be used to control: **ZOOM IN/ZOOM OUT**, **COLOR TEMPERATURE**, and **DIMMER**. (see image below)



ELATION® DW FRESNEL™ SYSTEM MENU				
Specifications are subject to change without any prior written notice.				
MAIN MENU	SUB MENU	OPTIONS / VALUES (Default Settings in <b>BOLD</b> )		DESCRIPTION
FuncMode	Address	A001 ~ AXXX		DMX Address Setting
	ValuDisp	Cool...Warm...		DMX Value Display
	SetSlave	Slave1, Slave2, Slave3		Slave Setting
	AutoProg	Master / Alone		Auto Program
Info	TimeInfo	Cur Time	XXXX(Hours)	Power On Running Time
		TotalHrs	XXXX(Hours)	Fixture Running Time
		Last Hrs	XXXX(Hours)	Fixture Last Times Clear
		TimePass	Password=XXX	Timer Password <b>038</b>
	Clr Last	ON/OFF	Clear Fixture Last Time	
	TempInfo	HeadTemp	XXX C° / F°	Temperature in Fixture
	Soft Ver	V1.0...		Software Version
Persnal	Stat Set	Addr DMX	ON/OFF	Address Via DMX
		NoDMXSta	CloShut/Adjust/Auto	Auto Run If No DMX
	Disp Set	Off Time	02~59m <b>OFF</b>	Display Shut Off Time
		Key Lock	ON/OFF	Key Lock
	Temp C/F	Celsius/ <b>Fahrenheit</b>		Temperature Switch Between C° / F°
ResetDef	ON/OFF		Restore factory settings	
ManCntrl	ManCntrl	Cool = Cool=xxx : DiMo = DiMo=xxx		Adjust Functions Manually
Mode Set	UserMode	2CH, 3CH, 8CH		DMX Channel Modes
Dimming	DimModes	Standar, Stage, TV, Archite, Theatre		Dimming Modes
EditProg	Sel Prog	ProPart1 = Program 1~10 ( <b>Program 1</b> )		Select Programs To Be Run
		ProPart2 = Program 1~10 ( <b>Program 2</b> )		
		ProPart3 = Program 1~10 ( <b>Program 3</b> )		
	EditProg	Prog 1 : Prog 10	ProgTest = T01SCxxx	Testing Program
			EdStep 01 = S01SCxxx	Program In Loop
			EdStep 64 = S64SCxxx	Save and Exit
EditScen	Scene 001 ~ Scene 250	Cool = Cool=xxx ~ InByOut = Time=xx.xs	Save and Automatically Return Manual Scenes Edit	
RecCntrl	XX~XX		Automatic Scenes Recorder	

### FuncMode - Address

Define desired DMX address via the Control Panel.

### FuncMode - ValuDisp

Display DMX 512 value of each channel.

### FuncMode - SetSlave

Define fixture slave mode (**Slave1, Slave2, Slave3**).

**FuncMode - AutoProg**

Define fixture mode (**Master or Alone**) for running Auto Programs. Select desired internal programs under "**Select Program**", set the number of steps under "**Edit Program**", and edit individual scenes under "**Edit Scenes**".

**Info - TimeInfo - Cur Time**

Displays fixture run time from last power ON.

The counter is reset after each time the fixture is powered OFF.

**Info - TimeInfo - TotalHrs**

Displays fixture total run time.

**Info - TimeInfo - Last Hrs**

Displays fixture run time for a given period of time (i.e. rental period).

This counter can be reset.

**Info - TimeInfo - TimePass**

Displays timer password. **(038)**

**Info - TimeInfo - Clr Last**

Clear fixture last run time.

Time can only be cleared after the timer password is entered.

**Info - TempInfo - HeadTemp**

Displays temperature of the fixture.

**Info - Soft Ver**

Displays software version of the fixture.

**Persnal - Stat Set - Addr DMX**

Define desired DMX address via an external controller.

**Persnal - Stat Set - NoDMXSta**

Define how fixture operates if NO DMX signal is detected.

**Persnal - Disp Set - Off Time**

Define how many minutes before the LCD Menu display will automatically shut OFF.

**Persnal - Disp Set - Key Lock**

When ON, Control Panel buttons lock automatically after exiting main menu for 15 seconds. To unlock, keep **MODE/ESC** button pressed for 3 seconds.

**Persnal – Temp C/F**

Define how fixture displays internal temperature (Celsius or Fahrenheit).

**Persnal – ResetDef**

When ON, all factory settings are restored.

**ManCntrl – ManCntrl**

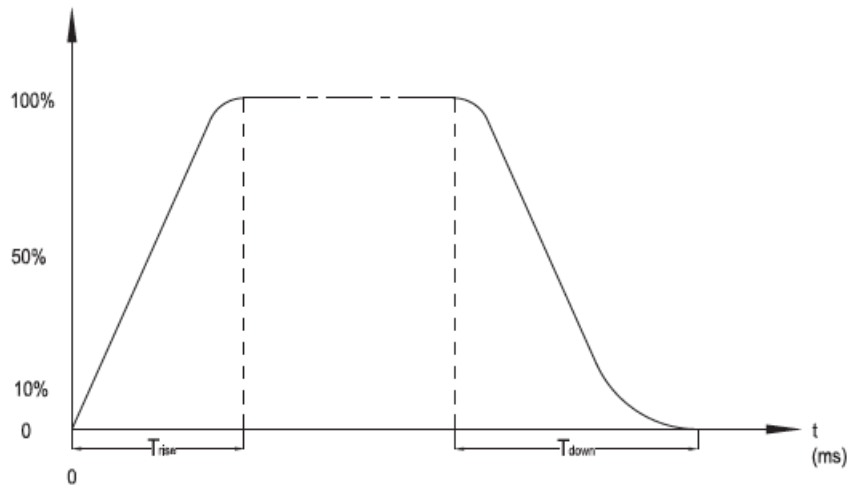
Adjust functions manually.

**Mode Set – UserMode**

Select DMX channel modes.

**Dimming – DimModes**

Select dimming modes (Standar, Stage, TV, Archite, Theatre).



Ramp Effect	0S (Fade Time)		1S (Fade Time)	
	T <sub>rise</sub> (ms)	T <sub>down</sub> (ms)	T <sub>rise</sub> (ms)	T <sub>down</sub> (ms)
Standard	0	0	0	0
Stage	780	1100	1540	1660
TV	1180	1520	1860	1940
Architectural	1360	1730	2040	2120
Theatre	1580	1940	2230	2280

**EditProg – Sel Prog**

Select one of the (10) user defined internal Auto Programs.

**EditProg – EditProg**

Edit any of the (10) user defined internal Auto Programs.

**EditProg – EditScen**

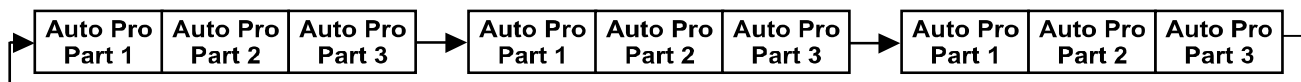
Edit any of the (250) scenes of the internal Auto Programs.

## EditProg – RecCntrl

The fixture features an integrated DMX-recorder by which you can transmit the programmed scenes from your DMX-controller to the moving head. Adjust the desired scene numbers via the encoder (from – to). When you call up the scenes at your controller, they will automatically be transmitted to the moving head.

## EditProg – RecCntrl – Working With Built In Programs

A Master unit can send up to 3 different data groups to the Slave units, i.e. a Master unit can start 3 different Slave units, which run 3 different programs. The Master unit sends the 3 program parts in a continuous loop.



The Slave unit receives data from the Master unit according to the group which the Slave unit was assigned to. If e.g. a Slave unit is set to “**Slave1**” in the menu “**SetSlave**”, the Master unit sends “**ProPart 1**” to the Slave unit.

If set to “**Slave2**”, the Slave unit receives “**ProPart 2**”.

To start an Auto Program proceed as follows:

### 1. Slave Setting

- Select “**FuncMode**”.
- Press **ENTER** to confirm.
- Select “**SetSlave**”.
- Press **ENTER** to confirm.
- Select “**Slave1**”, “**Slave2**” or “**Slave3**”.
- Press **ENTER** to confirm.
- Press **MODE/ESC** in order to return to the main menu.

### 2. Automatic Program Run

- Select “**FuncMode**”.
- Press **ENTER** to confirm.
- Select “**AutoProg**”.
- Press **ENTER** to confirm.
- Select “**Master**” or “**Alone**”.
- Press **ENTER** to confirm.
- Press **MODE/ESC** in order to return to the main menu.

## **EditProg – RecCntrl – Working With Built-In Program [continued]**

### **3. Program Selection for Automatic Program Run**

- Select **"EditProg"**.
- Press **ENTER** to confirm.
- Select **"Sel Prog "**.
- Press **ENTER** to confirm.
- Select **"ProPart 1"**, **"ProPart 2"** or **"ProPart 3"**, and select which Slave program is to be sent. Selection **"Part 1"** means, the Slave unit runs the same program as the master units.
- Press **ENTER** to confirm.
- Press **MODE/ESC** in order to return to the main menu.

### **4. Program Selection for Edit Program**

- Select **"EditProg"**.
- Press **ENTER** to confirm.
- Select **"EditProg"**.
- Press **ENTER** to confirm.
- Select the desired program to edit specific scenes into a specific program.
- Press **ENTER** to confirm.
- Press **MODE/ESC** in order to return to the main menu.

### **5. Automatic Scene Recording**

- Select **"EditProg"**.
- Press **ENTER** to confirm.
- Select **"EditScen"**.
- Select desired scene numbers. A maximum of 250 scenes can be programmed.
- Press **ENTER** to confirm.
- Press **MODE/ESC** in order to return to the main menu.

## **EditProg – RecCntrl – Working With Built-In Program [continued]**

### **Example:**

Program 2 includes scenes: 10, 11, 12, & 13

Program 4 includes scenes: 8, 9, & 10

Program 6 includes scenes: 12, 13, 14, & 15

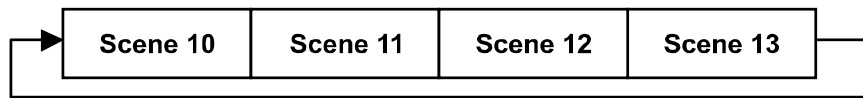
Auto Pro Part 1 is Program 2

Auto Pro Part 2 is Program 3

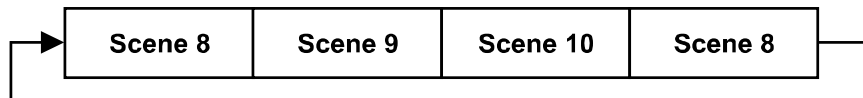
Auto Pro Part 3 is Program 6

The 3 Slave groups run the Auto Program in certain time segments, as shown in the following picture:

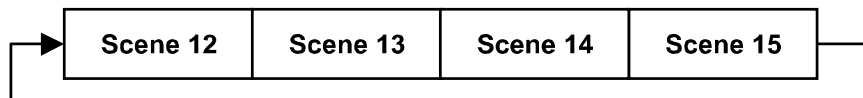
#### **Part 1:**



#### **Part 2:**



#### **Part 3:**





# DMX CHANNEL FUNCTIONS AND VALUES

ELATION® DW FRESNEL™			
DMX Channel Values / Functions (8 DMX Channels)			
Specifications are subject to change without any prior written notice.			
MODE / CHANNEL			FUNCTION
2CH	3CH	8CH	VALUE
1	1	1	
			0-255
2	2	2	
			0-255
		3	
			0
			1-255
		4	
			0
			1-16
			17-33
			34-50
			51-67
			68-84
			85-101
			102-118
			119-135
			136-152
			153-169
			170-186
			187-203
			204-220
221-237			
238-255			
		5	
			0-31
			32-63
			64-95
			96-127
			128-159
			160-191
			192-223
224-255			
	3	6	
			0-255
		7	
			0-255
		8	
			0-41
			42-84
			85-127
			128-170
			171-213
214-255			

## CLEANING AND MAINTENANCE



**C A U T I O N**

**Disconnect power before cleaning or maintenance.**

### CLEANING

Frequent cleaning is recommended to insure proper function, optimized light output, and an extended life. The frequency of cleaning depends on the environment in which the fixture operates: damp, smoky or particularly dirty environments can cause greater accumulation of dirt on the fixture's optics.

- Clean the external lens surface at least every 20 days with a soft cloth to avoid dirt/debris accumulation.
- Never use alcohol, solvents, or ammonia based cleaners.

### MAINTENANCE

Regular inspections are recommended to insure proper function and extended life. There are no user serviceable parts inside this fixture, please refer all other service issues to an authorized Elation service technician. Should you need any spare parts, please order genuine parts from your local Elation dealer.

Please refer to the following points during routine inspections:

- A detailed electric check by an approved electrical engineer every three months, to make sure the circuit contacts are in good condition and prevent overheating.
- Be sure all screws and fasteners are securely tightened at all times. Loose screws may fall out during normal operation resulting in damage or injury as larger parts could fall.
- Check for any deformations on the housing, color lenses, rigging hardware and rigging points (ceiling, suspension, trussing). Deformations in the housing could allow for dust to enter into the fixture. Damaged rigging points or unsecured rigging could cause the fixture to fall and seriously injure a person(s).
- Electric power supply cables must not show any damage, material fatigue or sediments. Never remove the ground prong from the power cable.

# TECHNICAL SPECIFICATIONS

## FEATURES

13° - 41° Manual Zoom  
Variable Color Temperature (3,200 - 6,000K)  
No Noise Thermo-Optical Cooling Technology  
Manual and DMX Controlled Color Temp and Dimming  
Flicker FREE Operation for TV and FILM  
Rotating Barn Door, Gel Frame and Frost Filter

## SOURCE

250W Dynamic White LED Engine  
100,000 Hour Average Life

## EFFECTS

Variable Strobe Settings (1-18 fps)  
Electronic Dimming (0% - 100%)  
Variable Dimming Curves

## CONTROL / CONNECTIONS

(4) Button and (3) Dial Control Panel LCD Menu Display  
Manual or DMX Controlled Color Temp and Dimming  
3 DMX Channels Modes (2 / 3 / 8)  
3 and 5 pin DMX In/Out  
Power In

## SIZE / WEIGHT

Length: 23.4" (595 mm)  
Width: 10.4" (264 mm)  
Height: 17.8" (453 mm)  
Weight: 24.0 lbs. (10.9 kg)

## ELECTRICAL / THERMAL

AC 100-240V - 50/60Hz  
320W Max Power Consumption  
14° to 113°F (-10° to 45°C)

## APPROVALS / RATINGS

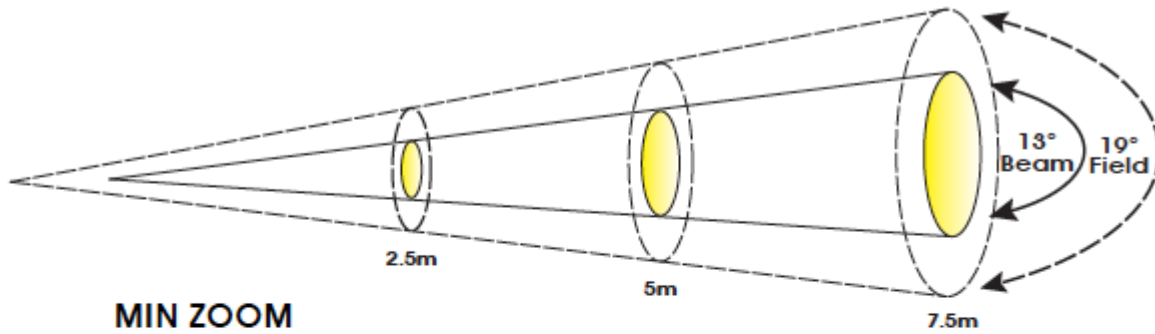
CE | cETLus | IP20



**Intertek**  
**4010832**

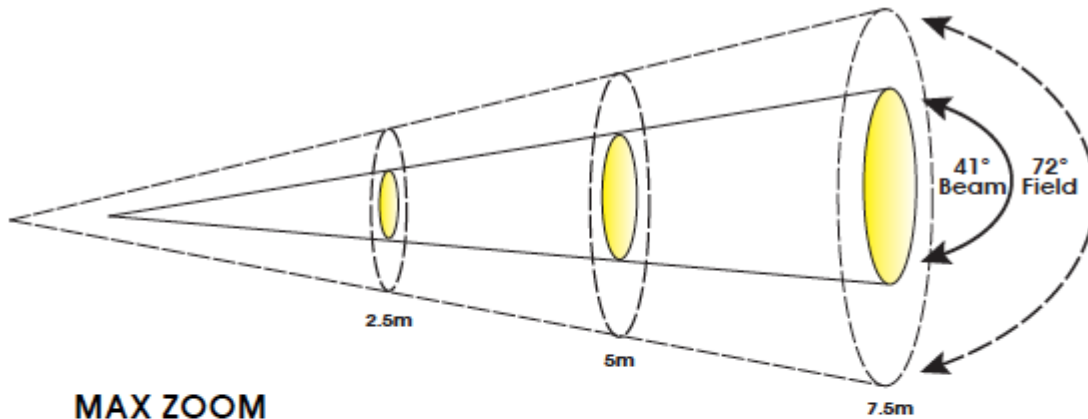
Please Note: Specifications and improvements in the design of this unit and this manual are subject to change without any prior written notice.

## PHOTOMETRIC DATA



### MIN ZOOM

	Distance	2.5 m	8.2 ft	5 m	16.4 ft	7.5 m	24.6 ft
13° Beam Diameter		0.55	1.8	1.1	3.6	1.65	5.4
19° Field Diameter		0.85	2.8	1.7	5.6	2.55	8.4
		lux	fc	lux	fc	lux	fc
FULL ON		28,520	2,650	7,410	688	3,519	327
COOL WHITE		15,960	1,483	4,315	401	2,029	188
WARM WHITE		12,730	1,183	3,441	320	1,594	148

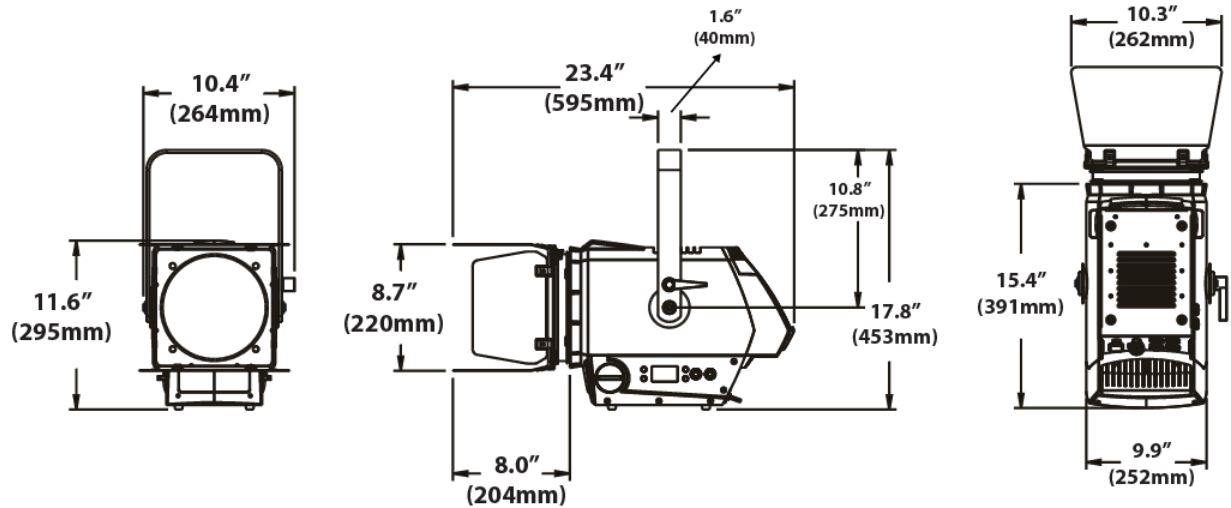


### MAX ZOOM

	Distance	2.5 m	8.2 ft	5 m	16.4 ft	7.5 m	24.6 ft
41° Beam Diameter		1.86	6.1	3.72	12.2	5.58	18.3
72° Field Diameter		3.6	11.8	7.2	23.6	10.8	35.4
		lux	fc	lux	fc	lux	fc
FULL ON		2,742	255	791	73	395	37
COOL WHITE		1,550	144	447	42	219	20
WARM WHITE		1,232	114	359	33	174	16

Please Note: Specifications and improvements in the design of this unit and this manual are subject to change without any prior written notice.

## DIMENSIONAL DRAWINGS



Please Note: Specifications and improvements in the design of this unit and this manual are subject to change without any prior written notice.

## OPTIONAL ACCESSORIES

ORDER CODE	ITEM
<b>TRIGGER CLAMP</b>	Heavy Duty Wrap Around Hook Clamp
<b>** pending **</b>	Flight Case For DW Fresnel
<b>AC3PDMX10PRO</b>	10 ft. (3m) 3pin PRO DMX Cable
<b>AC3PDMX25PRO</b>	25 ft. (7.5m) 3pin PRO DMX Cable
<b>AC3PDMX50PRO</b>	50 ft. (15.2m) 3pin PRO DMX Cable
<b>AC5PDMX10PRO</b>	10 ft. (3m) 5pin PRO DMX Cable
<b>AC5PDMX25PRO</b>	25 ft. (7.5m) 5pin PRO DMX Cable
<b>AC5PDMX50PRO</b>	50 ft. (15.2m) 5pin PRO DMX Cable

