



ELAR Q1™

SKU# **EAR913**

The IP65 rated ELAR Q1™ features a single 18W RGBW Quad LED, a 7° beam 14° field angles, 4 DMX channels, RDM (remote device management) with direct DMX auto addressing option, 8pin power/data IP cable in/out, 24VDC, flicker free operation for broadcast TV and FILM, 18W max power consumption, and an integrated adjustable yoke or flush mounting options.



ELAR Q1 PSU™

SKU# **EAR925**

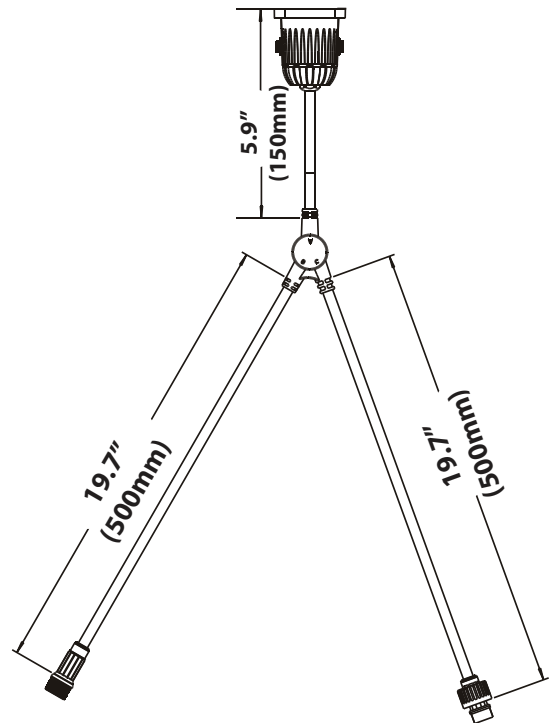
The IP65 rated ELAR Q1 PSU™ power supply unit features 24VDC output which can support (15) max linked ELAR Q1™ units each, 8pin IP cable in/out, 300W max power consumption, and a multi-voltage universal power supply (100-240v 50/60Hz).

ELAR Q1™ FEATURES

- 18W RGBW Quad LED**
- 100,000 Average Hour LED Life**
- 7° Beam 14° Field Angles**
- 4 DMX Channels**
- RDM (Remote Device Management)**
- Direct DMX Auto Addressing Option**
- Integrated Adjustable Yoke or Flush Mounting Options**
- Flicker Free Operation for Broadcast TV and FILM**
- 18W Max Power Consumption**

ELAR Q1 PSU™ FEATURES

- 24VDC Output**
- Max (15) Linked ELAR Q1™ Units Each**
- 300W Max Power Consumption**
- AC 100-240V - 50/60Hz**



Specifications are subject to change without notice ©Elation Professional

Elation Professional USA | 6122 S. Eastern Ave. | Los Angeles, CA. 90040
323-582-3322 | 323-832-9142 fax | www.elationlighting.com | info@elationlighting.com

Elation Professional B.V. | Junostraat 2 | 6468 EW Kerkrade, Netherlands
+31 45 546 85 66 | +31 45 546 85 96 fax | www.elationlighting.eu | info@elationlighting.eu

PRODUCT SPECIFICATIONS

ELAR Q1™

FEATURES

IP65 Rated
 7° Beam 14° Field Angles
 RDM (Remote Device Management)
 Direct DMX Auto Addressing Option

SOURCE

18W RGBW Quad LED
 100,000 Average Hour LED Life

PHOTOMETRIC DATA

9,310 LUX (865 FC) @3.3 ft. (1m) 7° Full ON

COLOR

16.7 Million Colors / 8 Bits Per Color

CONTROL / CONNECTIONS

4 DMX Channels
 8pin Data/Power Combo IP Cables In/Out
 Multiple Unit Linkable (Max 15 units per ELAR PSU 10™)

SIZE / WEIGHT

Length: 3.8" (96mm)
 Width: 2.9" (73mm)
 Vertical Height: 2.9" (73mm)
 Weight: 1.1 lbs. (0.5kg)

ELECTRICAL / THERMAL

24VAC
 18W Max Power Consumption
 14°F to 113°F (-10°C to 45°C)

ELAR PSU 10™

FEATURES

IP65 Rated
 24VAC Output
 Max (15) Linked ELAR Q1™ Units Each

CONNECTIONS

8pin IP Cables In/Out

SIZE / WEIGHT

Length: 12.4" (315mm)
 Width: 5.7" (145mm)
 Vertical Height: 2.6" (67mm)
 Weight: 2.2 lbs. (1.0kg)

ELECTRICAL / THERMAL

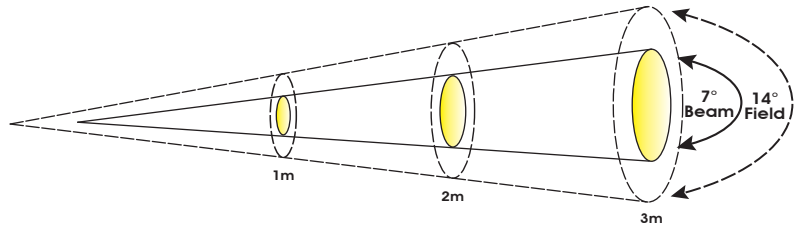
AC 100-240V - 50/60Hz
 300W Max Power Consumption
 14°F to 113°F (-10°C to 45°C)

APPROVALS / RATINGS

CE | cETL | IP65

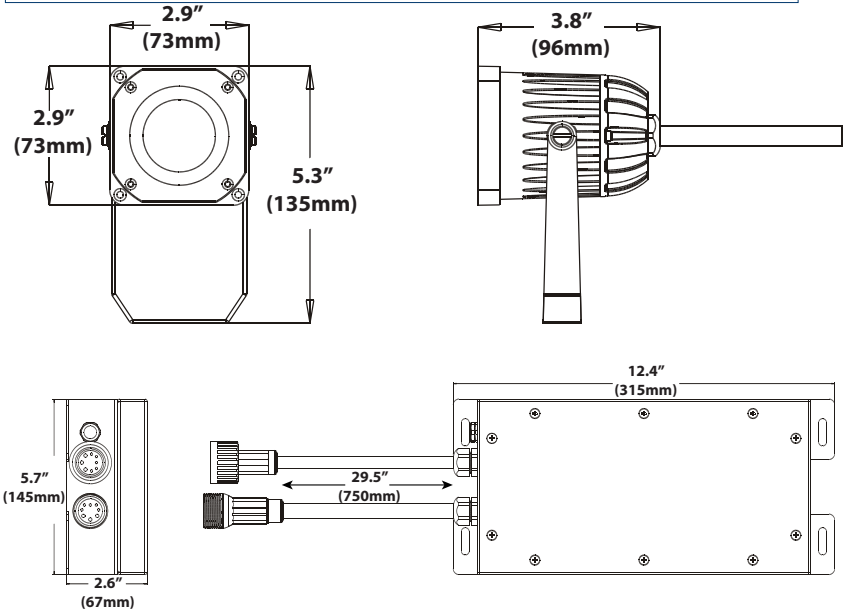


PHOTOMETRIC DATA



Distance	m		ft		m		ft	
	1	3.3	2	6.6	3	9.8		
7° Beam Diameter	0.12	0.4	0.24	0.8	0.36	1.2		
14° Field Diameter	0.24	0.8	0.48	1.6	0.72	2.4		
	lux	fc	lux	fc	lux	fc		
RED	1,520	141	425	39	175	16		
GREEN	4,310	400	1,218	113	516	48		
BLUE	630	59	172	16	175	16		
WHITE	4,452	414	1,276	119	554	51		
FULL ON	9,310	865	2,698	251	1,170	109		

DIMENSIONAL DIAGRAMS



ORDERING INFORMATION / OPTIONAL ACCESSORIES

ORDER CODE	ITEM
EAR913	ELAR Q1™ 18W RGBW IP65 LED Fixture
EAR925	ELAR Q1 PSU™ IP Power Supply
60413010144	ELAR Q1 IP Starter Y-Cable
60413010149	ELAR Q1 IP Extension Y-Cable
60413010146	ELAR Q1 PSU IP Power Cable 3.3 ft (1m)
60413010145	ELAR Q1 IP Extension Cable 3.3 ft (1m)
60413990038	ELAR Q1 IP Extension Cable 9.8 ft (3m)

