



Design LED 60 TriStrip

Elation Professional™
6122 S. Eastern Ave.
Los Angeles, CA. 90040
www.elationlighting.com

TABLE OF CONTENTS

1. General Information.....	3
a. Introduction.....	3
b. Unpacking.....	3
c. Customer Support.....	3
d. Warranty Registration.....	3
2. Safety Instructions.....	5
3. Features.....	7
4. General Guidelines.....	8
5. Fixture Overview.....	9
6. Mounting and Installation.....	11
7. Understanding DMX.....	14
a. DMX Linking.....	14
b. DMX Cables.....	14
c. DMX Termination.....	16
d. 3-Pin to 5-Pin Conversion.....	16
e. Understanding DMX Addressing.....	16
8. Display Menu.....	18
9. DMX Operation.....	20
a. DMX Mode Selection.....	20
10. DMX Channel Traits.....	22
11. Cleaning and Maintenance.....	33
12. Warranty.....	34
13. Photometric Data.....	36
14. Dimensional Drawings.....	37
15. Lens Change.....	38
16. Circuit Schematic.....	39
17. Technical Specifications.....	40

1. GENERAL INFORMATION

INTRODUCTION: Congratulations, you have just purchased one of the most innovative and reliable LED fixtures on the market today! The Design LED 60 TriStrip™ has been designed to perform reliably for years when the guidelines in this booklet are followed. Please read and understand the instructions in this manual carefully and thoroughly before attempting to operate this unit. These instructions contain important information regarding safety during use and maintenance.

UNPACKING: Thank you for purchasing the Design LED 60 TriStrip™ by Elation Professional®. Every Design LED 60 TriStrip™ has been thoroughly tested and has been shipped in perfect operating condition. Carefully check the shipping carton for damage that may have occurred during shipping. If the carton appears to be damaged, carefully inspect your fixture for damage and be sure all accessories necessary to operate the fixture have arrived intact. In the event damage has been found or parts are missing, please contact our customer support team for further instructions. Please do not return this unit to your dealer without first contacting customer support at the number listed below.

Inside the box you should find: the fixture, a DMX XLR cable, an IEC power cable, an IEC “jumper” power cable, a safety cable, and this manual. Please contact customer support at the number listed below if any of the above items are missing.

CUSTOMER SUPPORT: Elation Professional® provides a customer support line, to provide set up help and to answer any question should you encounter problems during your set up or initial operation. You may also visit us on the web at www.elationlighting.com for any comments or suggestions. For service related issue please contact Elation Professional®. Service Hours are Monday through Friday 9:00 a.m. to 5:00 p.m. Pacific Standard Time.

Voice: (323) 582-3322

Fax: (323) 832-9142

E-mail: support@elationlighting.com

Forum: www.ElationLighting.com/forum

Warning! To prevent or reduce the risk of electrical shock or fire, do not expose this unit to

rain or moisture.

Caution! There are no user serviceable parts inside this unit. Do not attempt any repairs yourself. Doing so will void your manufactures warranty.

Please do not discard the shipping carton in the trash. Please recycle whenever possible.

WARRANTY REGISTRATION: The Design LED 60 TriStrip™ comes with a two year (730 days) limited warranty. Please fill out the enclosed warranty card to validate your purchase. All returned service items whether under warranty or not, must be freight pre-paid and accompany a return authorization (R.A.) number. The R.A. number must be clearly written on the outside of the return package. A brief description of the problem as well as the R.A. number must also be written down on a piece of paper and included in the shipping container. If the unit is under warranty, you must provide a copy of your proof of purchase invoice. Items returned without a R.A. number clearly marked on the outside of the package will be refused and returned at customer's expense. You may obtain a R.A. number by contacting customer support at (323) 582-3322.

2. SAFETY INSTRUCTIONS



To guarantee proper and consistent operation, it is important to follow the guidelines in this manual. Elation Professional will not accept responsibility for damages resulting from the misuse of this fixture due to the disregard of the information printed in this manual.

1. Always be sure that the fan and the air inlets remain clean and are never blocked. Allow about 6" (15cm) between this fixture and other devices or a wall to allow for proper cooling.
2. Never touch the fixture during normal operation.
3. Never look directly into the lamp beam. You risk injury to your retina, which may induce blindness.
4. For safe operation, follow the Installation guide described in chapter two of this manual. Operating the Design LED 60 TriStrip™ without suited safety aids such as safety cables or clamps can increase the risk of damage and/or personal injury.
5. Installation should only be performed by qualified and certified personal.
6. When mounting this fixture, use only the original rigging points included with this fixture. Any structural modification will void the original manufactures warranty and may increase the risk of damage and/or personal injury.
7. To reduce the risk of fire or shock, do not expose this fixture to rain or moisture.
8. Do not attempt to operate this fixture if the power cord has become damaged or frayed.
9. **Never open this fixture while in use.**
10. This device falls under protection-class I. Therefore it is essential that the device be grounded properly.
11. Qualified personnel must perform all electrical connections.
12. Be sure the available voltage matches the voltage requirements of the unit. Be

sure the power cord is never crimped or damaged. If the power cord is damaged, replace it immediately with a new one of similar power rating.

13. Always disconnect from main power before performing any type of service or any cleaning procedure.

14. Only handle the power cord by the plug. Never pull out the plug by tugging the wire portion of the cord.

15. ***Please be aware that damages caused by modifications to the device are not subject to warranty.***

Important Notice: Damages resulting from the disregard of safety and general user instructions found in this user manual are not subject to any warranty claims.

3. FEATURES

- Tri-Color LED Technology
- 62° Standard Beam Angle (48° Optional with 30° Lens Kit)
- Removable front cover to allow interchangeable Lenses
- Low power consumption
- Electronic menu display
- Minimal heat emission
- Maintenance free operation
- Equipped with 60 Three-Watt Tri-Color LEDs
- 100,000 hours **rated** LED life
- Linear RGB Color Mixing, 65 million color possibilities
- USITT DMX-512 complaint
- 5-pin and 3-pin Male and Female XLR Data Connectors
- Preprogrammed colored macros
- Strobe-effect with a maximum flash rate of 25fps
- DMX-controlled operation or stand-alone operation with Master/Slave-function
- 8 built-in programs accessed via DMX-controller or manually
- Sound-controlled via built-in microphone
- Individual control over each LED
- 0%~100% Dimming (two dimming options; linear & standard)
- Electronic power supply (100v~240V 50/60Hz)
- Six DMX Modes:
 - 63 DMX-channels
 - 60 DMX-channels
 - 15 DMX-channels
 - 6 DMX-channels
 - 4 DMX-channels
 - 3 DMX-channels
- Flicker-free operation for television and film
- Compact design: fits in 12" box truss
- Brilliant light output
- Linkable power supply (in and out power connectors) - Up to 8 units

4. GENERAL GUIDELINES

This fixture is a professional lighting effect designed for use on stage, in nightclubs, in theatres, and other types of architectural installations. Do not attempt operation or installation without a proper knowledge on how to do so.

This fixture was designed for indoor use only; use of this fixture outside will void the manufacture's warranty.

Consistent operational breaks will ensure that the fixture will function properly for many years to come.

Do not shake the fixture around. Avoid brute force when installing or operating the fixture.

While choosing an installation location, please be sure that the fixture will not be exposed to extreme heat, moisture, or dust. The minimum distance between the fixture and a wall or flat surface should be at least .5 meter (about 1.5ft).

Always install the fixture with an appropriately rated safety cable. When installing the fixture in a suspended environment always be sure to use mounting hardware no less than M10 x 25 mm, also be sure the hardware is only inserted in the yoke's mounting holes.

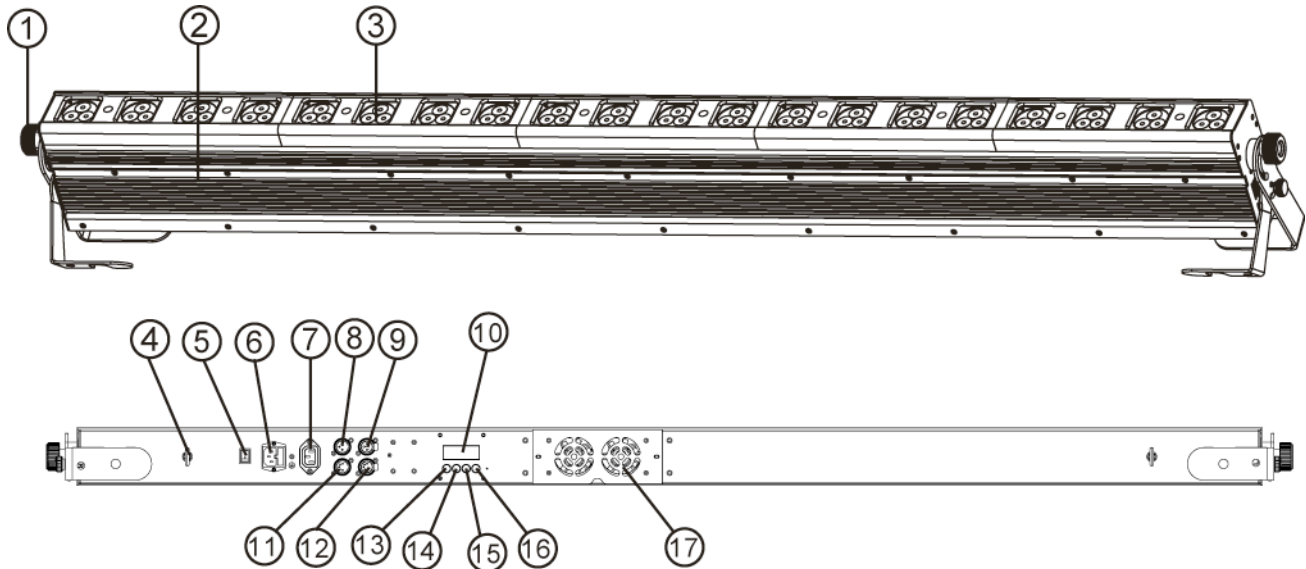
Do not attempt to operate this fixture until you have familiarized yourself with all of its functions.

Do not permit operation by persons not qualified for operating this type of theatrical fixture. Most damages are the result of improper operation.

Please use the original packaging to transport the fixture in for service.

For your own safety, please read this user manual carefully before installing the device.

5. FIXTURE OVERVIEW

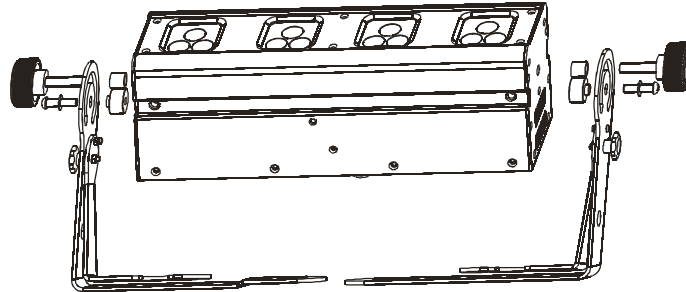


1. **Bracket Locking Knob** – This knob is used to secure the bracket in place after angle adjustments have been made.
2. **Fixture Chassis** – Extruded aluminum slotted chassis, allows similar units to be mounted together. See assembly instructions on page
3. **Diffusing Lens/LED Assembly** – This lens is used to both protect the LEDs as well as diffuse the light output. Tri-Color LED assembly
4. **Eye Bolt** – This bolt is used a securing point for a safety cable.
5. **On/Off Power Switch** – Controls main power to the unit.
6. **Power Input/Fuse Holder Assembly** – This assembly holds the safety fuse as well as provides a female IEC connector for a power cord. Always replace the fuse with an exact match unless otherwise specified by an authorized Elation Service Technician. Using a fuse other than that specified could seriously damage the unit and will void your manufactures warranty.

7. **Power Output Jack** – Use this jack to jump power to another Design LED 60 TriStrip™
8. **3-Pin DMX Output Jack** – This jack is used to send an incoming DMX signal to the next fixture in the DMX chain via a female, 3-pin XLR jack.
9. **3-PIN DMX Input Jack** – This jack accepts an incoming DMX signal via a male, 3-pin XLR jack.
10. **LED Menu Display** - 4-segment menu display. Used to display the DMX address as well as all other menu functions.
11. **5-PIN DMX Input Jack** – This jack accepts an incoming DMX signal via a male, 5-pin XLR jack.
12. **5-Pin DMX Output Jack** – This jack is used to send an incoming DMX signal to the next fixture in the DMX chain via a female, 5-pin XLR jack.
13. **MENU Button** - This button is used to access the fixtures menu functions.
14. **Up Button** – The up button is used to toggle forward through the menu functions and settings.
15. **Down Button** – The down button is used to toggle backwards through the menu functions and settings.
16. **Enter Button** – The enter button is used to enter in to a certain menu function or to lock a menu setting in to memory.
17. **Cooling Fans** – These fans regulate the internal operating temperature of the fixture. To prevent overheating or failure be sure to never block or obstruct these fans in any way.

6. MOUNTING AND INSTALLATION

Yoke Assembly – Single Unit Operation (DLED 12 Brick shown for illustration purposes only). The device can be placed directly on the stage floor or rigged in any orientation on a truss without altering its operation characteristics. When connecting the hanging yoke to the fixture, refer to the illustration below.



Cautions:

For added protection mount the fixtures in areas outside walking paths, seating areas, and away from areas where the fixture might be reached by unauthorized personnel.

Before mounting the fixture to any surface, make sure that the installation area can hold a minimum point load of 10 times the device's weight.

Fixture installation must always be secured with a secondary safety attachment, such as an appropriate safety cable.

To avoid injury, never stand directly below the device when mounting, removing, or servicing the fixture.



Refer to regulations BGV C1 (formerly VBG 70) and DIN VDE0711-217 for proper installation in Europe. To ensure proper installation, only qualified staff should attempt installation.

Mounting points

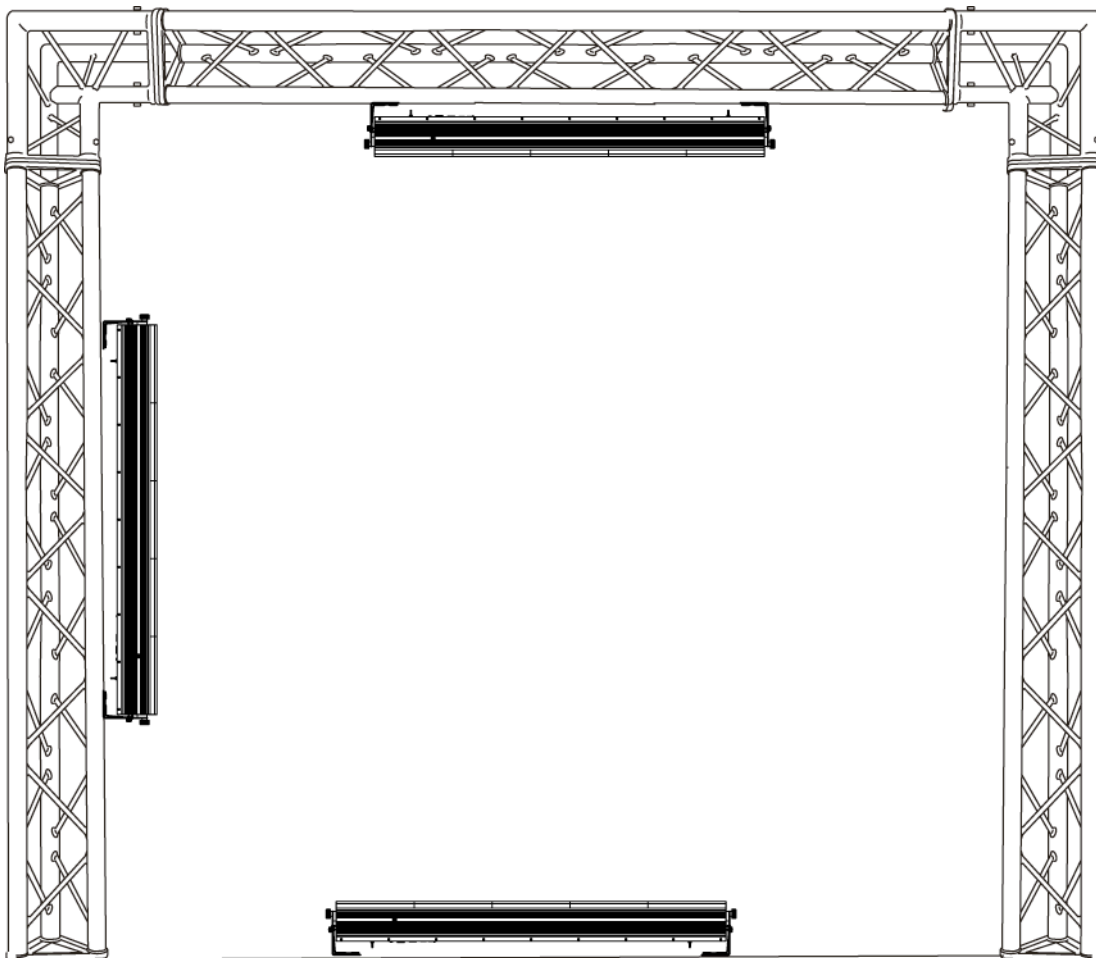
Overhead mounting requires extensive experience, including amongst others calculating

working load limits, a fine knowledge of the installation material being used, and periodic safety inspection of all installation material and the fixture. If you lack these qualifications, do not attempt the installation yourself. Improper installation can result in bodily injury.

Be sure to complete all rigging and installation procedures before connecting the main power cord to the appropriate wall outlet.

Mounting

The Design LED 60 TriStrip™ is fully operational in any mounting position, hanging upside-down from a ceiling, side mounted, or set on a flat level surface. Be sure this fixture is kept at least 0.5m away from any flammable materials (decoration etc.). When clamp mounting; always use and install the supplied safety cable as an added safety measure to prevent accidental damage in the event of a clamp failure. **See the image below.**



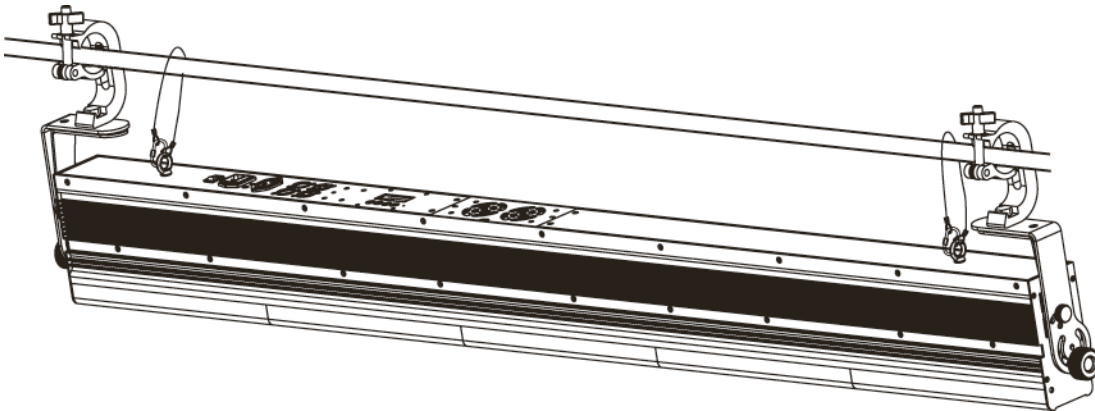


CAUTION!
Be sure a qualified electrician performs all electrical connections before attempting any operation.

Clamp Mounting

The Design LED 60 TriStrip™ provides a unique mounting bracket assembly that allows the unit to stand on flat surface, hang on truss via a clamp, or be used in cluster allow multiple units to rigged together (see the illustration below). Regardless of the mounting option you choose please refer to the safety guidelines in this manual to avoid damage to the unit and/or injury to persons.

When mounting this fixture to truss be sure to secure an appropriately rated clamp to the hanging yoke using a M10 screw fitted through the center hole of the hanging yoke. As an added safety measure be sure to attach at least one properly rated safety cable to the fixture. See illustration below.



Securing the Design LED 60 TriStrip™



Always secure your fixture with a safety cable when suspending the unit from truss or other means. The fixture provides a built-in rigging point for a safety cable as illustrated above. Be sure to only use the designated rigging point for a safety cable. Never secure a safety cable to the hanging bracket.

7. UNDERSTANDING DMX

DMX-512: DMX is short for Digital Multiplex. This is a universal protocol used by lighting and controller manufactures as a form of communication between intelligent fixtures and controllers. DMX allows all makes and models of different manufactures to be linked together and operate from a single controller. This is possible as long as all the fixtures and the controller are DMX compliant. A DMX controller sends the DMX data instructions to a fixture allowing the user to control the different aspects of an intelligent light. DMX data is sent out as serial data that travels from fixture to fixture via data “IN” and “OUT” 3-Pin or 5-Pin XLR connectors located on the fixtures (most controllers will only have output jacks). The Design LED 60 TriStrip™ is DMX compliant and thus can be controlled via DMX-512 protocol. The Design LED 60 TriStrip™ is a fixture that can operate in six different DMX modes; 3, 4, 6, 15, 60, or 63 channels (see page 22 for the different DMX operations). The DMX address is set electronically using the controls on the LED menu.

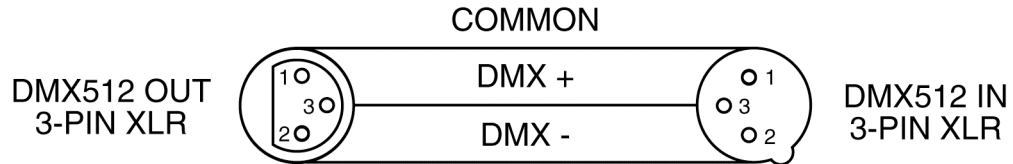
DMX Linking: To ensure proper DMX data transmission, always use proper DMX cables and a terminator, never use microphone cables. When using several DMX fixtures try to use the shortest cable path possible. The order in which the fixtures are connected in a DMX line does not influence the DMX addressing. For example; a fixture assigned a DMX address of 1 may be placed anywhere in the DMX chain, at the beginning, at the end, or anywhere in the middle. The DMX controller knows to send data assigned to address 1 to that fixture no matter where it is located in the DMX chain. Never split a DMX line with a “Y” style connector. A DMX link cannot be split unless a specially designed DMX splitter is used such as the Elation Opto Branch 4™ or DMX Branch/4™.



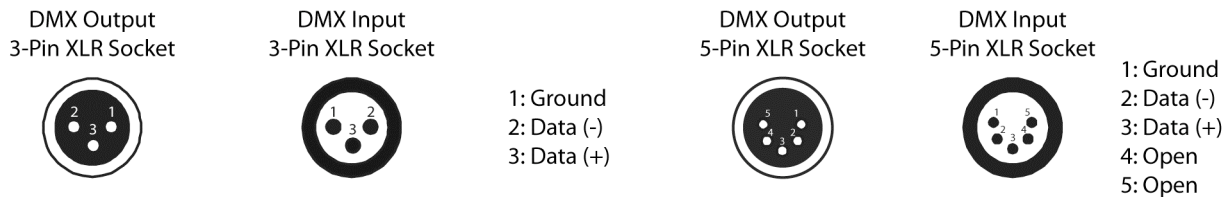
Note: *Although microphone and DMX cables may look similar, they are not constructed of the same material and should never be used in place of each other.*

Data Cable (DMX Cable) Requirements (For DMX and Master/Slave Operation): Your fixture and your DMX controller require a standard 3-pin or 5-pin XLR connector for data input and data output (the illustration on the next page is of a 3-Pin XLR connector). If you are making your own cables, be sure to use two conductor shielded digital DMX cable rated

at 120 ohms, this cable is designed for DMX transmission and may be purchased from your Elation dealer or at most professional lighting retailers. Your cables should be made with a male and female XLR connector on either end of the cable. Also, remember that a DMX line must be daisy chained and cannot be split, unless using an approved DMX splitter



Be sure to follow the above figure when making your own cables. Do not use the ground lug on the XLR connector. Do not connect the cable's shield conductor to the ground lug or allow the shield conductor to come in contact with the XLR's outer casing. Grounding the shield could cause a short circuit and erratic behavior.



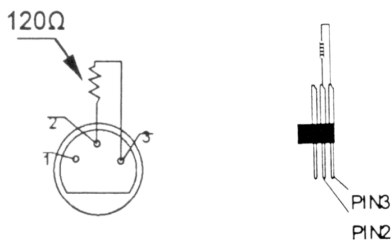
DMX-512 control connection

Connect an XLR cable to the female XLR output of your controller and the other side to the male XLR input of the fixture (Please refer to the diagram below.). You can chain multiple moving heads together through serial linking. Remember to daisy-chain the “in” and “out” data connections.



DMX-512 connection with DMX terminator

A DMX terminator should be used in all DMX lines especially in longer runs. The use of a terminator may avoid erratic behavior in your DMX line. A terminator is a 120 ohm 1/4 watt resistor that is connected between pins 2 and 3 of a male XLR connector (DATA + and DATA -). This fixture is inserted in the female XLR connector of the last fixture in your daisy chain to terminate the line. Using a *line terminator (Elation part: DMX T PACK)* will decrease the possibilities of erratic behavior.



Termination reduces signal errors and avoids signal transmission problems and interference. It is always advisable to connect a DMX terminal, (Resistance 120 Ohm 1/4 W) between PIN 2 (DMX-) and PIN 3 (DMX +) of the last fixture.

5-Pin XLR DMX Connectors. Some manufactures use 5-pin XLR connectors for DATA transmission in place of 3-pin. 5-pin XLR fixtures may be implemented in a 3-pin XLR DMX line. When inserting standard 5-pin XLR connectors in to a 3-pin line a cable adaptor must be used, these adaptors are readily available at most electric stores. The following chart details a proper cable conversion.

3-Pin XLR to 5-Pin XLR Conversion		
Conductor	3-Pin XLR Female (Out)	5-Pin XLR Male (In)
Ground/Shield	Pin 1	Pin 1
Data Compliment (- signal)	Pin 2	Pin 2
Data True (+ signal)	Pin 3	Pin 3
Not Used		Pin 4 - Do Not Use
Not Used		Pin 5 - Do Not Use

Understanding Fixture DMX addressing;

When using the fixture with a DMX controller the fixture should be given a DMX starting address. The starting DMX address ensures the fixture will respond to the correct control signal. This “starting address” is the channel number from which the fixture starts to “listen”

to the digital control information sent out from the DMX controller. The allocation of this starting DMX address is achieved by setting the correct DMX address on the digital display located on the head of the fixture.

You can set the same starting address for all fixtures or a group of fixtures, or set different address for each individual fixture. Be advised that setting all your fixtures to the same DMX address will subsequently control all fixtures in the same fashion, in other words, changing the settings of one channel will affect all the fixtures simultaneously.

If you set each fixture to a different DMX address, each unit will start to “listen” to the channel number you have set, based on the quantity of control channels (DMX channels) of each fixture. That means changing the settings of one channel will only affect the selected fixture.

In the case of the Design LED 60 TriStrip™, which is up to a 63 channel fixture (maximum DMX channels), you should set the starting DMX address of the first unit to 1, the second unit to 64 (63 + 1), the third unit to 127 (63 + 64), and so on.

Note: During start-up the Design LED 60 TriStrip™ will automatically detect whether a DMX data signal is being received or not. If a DMX data signal is being received, the display will show "A.XXX" (XXX representing the actual DMX address). If the fixture is not receiving a DMX signal the display will flash "A.XXX" (XXX representing the actual DMX address).

If your fixture is connected to a DMX controller and the display is flashing (not receiving a DMX signal), please check the following:

- The 3-pin or 5-pin XLR plug (cable with DMX signal from controller) may not be connected or is not inserted completely into the DMX input jack.
- The DMX controller is switched off or defective.
- The DMX cable or connector is defective.
- A DMX terminator has been inserted into the last fixture in your DMX chain.

8. DISPLAY MENU

MODE (<i>MODE</i>)	ADDR (<i>Addr</i>)	A001(<i>A001</i>) (1-512)		Set the starting DMX address
	DISP(<i>DISP</i>)	ON/ OFF (<i>ON/OFF</i>)		Set the display open or close when no control after 2 minutes
	FLIP(<i>FLIP</i>)	ON/ OFF (<i>ON/OFF</i>)		Set the flip display
	CHAN (<i>CHAN</i>)	3 CH (<i>3CH</i>)		3 DMX CHANNELS (RGB)
		4 CH(<i>4CH</i>)		4 DMX CHANNELS (RGB+MASTER DIM)
		6 CH(<i>6CH</i>)		6 DMX CHANNELS
		15 CH(<i>15CH</i>)		15 DMX CHANNELS
		60 CH(<i>60CH</i>)		60 DMX CHANNELS
63 CH(<i>63CH</i>)		63 DMX CHANNELS		
SLAV(<i>SLAV</i>)	ON/ OFF (<i>ON/OFF</i>)		UNIT FUNCTIONS AS SLAVE	
MANU (<i>MANU</i>)	CNTL(<i>CNTL</i>)	MAST(<i>MAST</i>)		Fixture will function as a master unit in Master/Slave mode
		ALON (<i>ALON</i>)		Fixture will function in "Stand Alone" mode
	BLAC(<i>BLAC</i>)	BLACKOUT – LED OUTPUT OFF		
	COLR(<i>COLR</i>)	RED(<i>Red</i>)	0-255	Manual adjustment of RED levels
		GRN(<i>GrEn</i>)	0-255	Manual adjustment of GREEN levels
BLU(<i>BLUE</i>)		0-255	Manual adjustment of BLUE levels	
STRB(<i>St-r-B</i>)		0-255	Manual adjustment of STROBE rate	
CHAS (<i>CHAS</i>)	CHS1(<i>CHS1</i>)	SPED(<i>SPED</i>)	0-255	Adjust program 1 speed
		FADE(<i>FADE</i>)	0-255	Adjust program 1 fade time
		STRB(<i>St-r-B</i>)	0-255	Adjust strobe rate of program 1
	CHS2(<i>CHS2</i>)	SPED(<i>SPED</i>)	0-255	Adjust program 2 speed
		FADE(<i>FADE</i>)	0-255	Adjust program 2 fade time
		STRB(<i>St-r-B</i>)	0-255	Adjust strobe rate of program 2
	CHS3(<i>CHS3</i>)	SPED(<i>SPED</i>)	0-255	Adjust program 3 speed
		FADE(<i>FADE</i>)	0-255	Adjust program 3 fade time
		STRB(<i>St-r-B</i>)	0-255	Adjust strobe rate of program 3
	CHS4(<i>CHS4</i>)	SPED(<i>SPED</i>)	0-255	Adjust program 4 speed

		FADE(<i>FADE</i>)	0-255	Adjust program 4 fade time
		STRB(<i>STRB</i>)	0-255	Adjust strobe rate of program 4
	CHS5(<i>CHS5</i>)	SPEED(<i>SPEED</i>)	0-255	Adjust program 5 speed
		FADE(<i>FADE</i>)	0-255	Adjust program 5 fade time
		STRB(<i>STRB</i>)	0-255	Adjust strobe rate of program 5
	CHS6(<i>CHS6</i>)	SPEED(<i>SPEED</i>)	0-255	Adjust program 6 speed
		FADE(<i>FADE</i>)	0-255	Adjust program 6 fade time
		STRB(<i>STRB</i>)	0-255	Adjust strobe rate of program 6
	CHS7(<i>CHS7</i>)	SPEED(<i>SPEED</i>)	0-255	Adjust program 7 speed
		FADE(<i>FADE</i>)	0-255	Adjust program 7 fade time
		STRB(<i>STRB</i>)	0-255	Adjust strobe rate of program 7
	CHS8(<i>CHS8</i>)	SPEED(<i>SPEED</i>)	0-255	Adjust program 8 speed
		FADE(<i>FADE</i>)	0-255	Adjust program 8 fade time
		STRB(<i>STRB</i>)	0-255	Adjust strobe rate of program 8
SOND (<i>SOND</i>)	CTRL(<i>CTRL</i>)	MAST(<i>MAST</i>)	Assigns fixture as Master unit in Sound Activate mode	
		ALON(<i>ALON</i>)	Assigns fixture as Sound Active, Stand Alone	
	MIC(<i>MIC</i>)	M-XX(<i>00-99</i>)	Microphone sensitivity adjustment	
OTHR (<i>OTHR</i>)	DIMR(<i>DIMR</i>)	MOD1(<i>MOD1</i>)		Standard - Fixture will function with a stepping dimmer rate
		MOD2(<i>MOD2</i>)		Linear - Fixture will function with a dimming rate of 0~100%
	LODA(<i>LODA</i>)	YES(<i>YES</i>)		Reset to Fixture to the Factory Default Settings
	VER(<i>VER</i>)	V X.X(<i>11.1</i>)		"X.X" will represent the fixture's current firmware version

Default settings shaded.

Remarks:

- 1) If the fixture does not receive a DMX signal the menu display will flash repeatedly.
- 2) SPEED: This function is used to adjust the hold time for the scenes in the built-in chase programs.
- 3) FADE: This function is used to adjust the fade time between each scene in the built-in programs.

9. DMX OPERATION

This fixture can run in five different DMX modes, the following pages will detail the differences in the operating modes as well as how to achieve the different operating modes.

DMX Settings: The chart below describes how to access the different DMX modes. The chart below also defines the how a channel will function in the different DMX modes.

DMX Mode	LED control model	LED Channel	Internal program	Strobe	Dimmer/ Speed
63 channel	Each LED color can be controlled independently	1~60	61	62	63
60 channel	Each LED color can be controlled independently	1~60	N/A	N/A	N/A
15 channel	Every 5 LEDs can be controlled independently	1~12	13	14	15
6 channel	Each color group is controlled together	1~3	4	5	6
4 channel	Each color group is controlled together	1~3	N/A	N/A	4
3 channel	Each color group is controlled together	1~3	N/A	N/A	N/A

In 63-channel, 15-channel, or 6-channel mode a strobe function as well as eight internal programs can be accessed via DMX.

In 63-channel, 15-channels, or 6-channel mode the last channel in each mode (63, 15, or 6) has two functions. When working with the internal programs the last channel can be used to control the speed of the internal programs. A channel value of 0 will be the slowest and a channels value of 255 will be the fastest. When not working with the internal programs (either channel 61 or 13 is set to zero, depending on channels mode) the last channels is used to control the master dimmer level.

Internal Programs:

In 63-channels mode the internal programs are accessed via channels 61. In 15-channels mode the internal programs are accessed via channels 13. In 6-channels mode the internal programs are accessed via channels 4. The chart below details the channel value for each

program.

0----10	No function
11----40	Program 1
41----70	Program 2
71----100	Program 3
101--130	Program 4
131--160	Program 5
161--190	Program 6
191--220	Program 7
221--255	Program 8

Strobe Function:

In 63-channels mode the strobe function is accessed via channels 62. In 15-channels mode the strobe function is accessed via channels 14. In 6-channels mode the strobe function is accessed via channels 5. The chart below details the different strobe functions available.

0	Open
1-----95	Strobe from slow to fast
96----127	Open
128---159	Pulse strobe from slow to fast
160---191	Open
192---223	Random strobe
224---255	Open

10. DMX CHANNEL TRAITS

DMX Operation Notes:

The fixture will function in DMX mode whenever the unit is receiving a DMX signal. Please note that this will override all manual settings.

This unit will keep and retain the last DMX command in the event of DMX signal failure. To reset the fixture you must turn the power off.

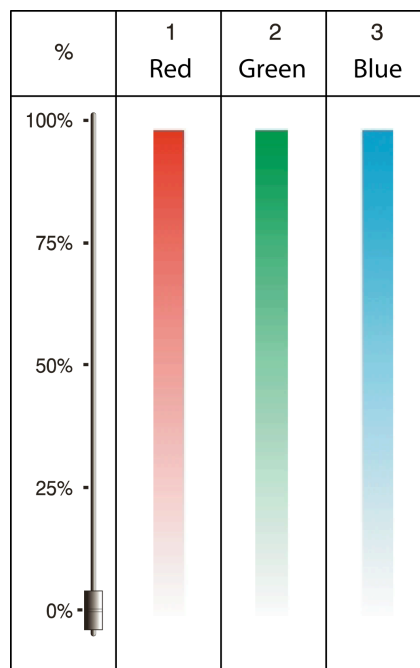
DMX CHANNEL TRAITS

3-Channel mode: In this mode channel one controls all the red LEDs, channel two controls all the green LEDs, and channels three controls all the blue LEDs.

CHANNEL 1:Red

CHANNEL 2:Green

CHANNEL 3:Blue

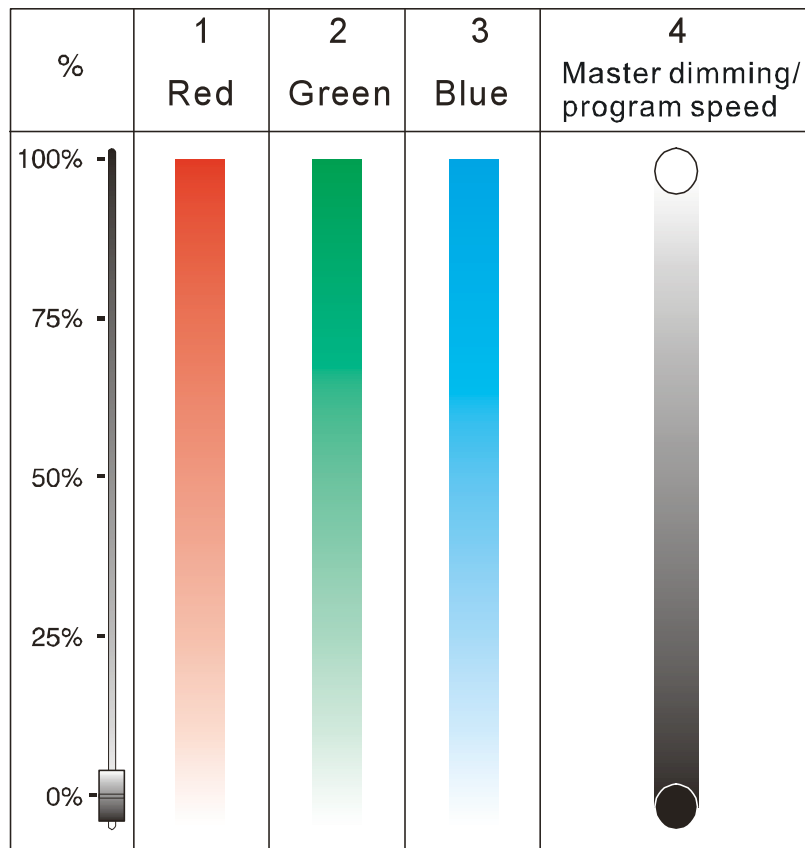


3-Channel Mode: The chart below details the DMX channel layout for 3-channel assignment.

DMX channel's functions and their values (3-Channel Mode):

<u>Channel 1 - Red:</u>	
0-255	Red (0-Black, 255 - 100% Red)
<u>Channel 2 - Green:</u>	
0-255	Green (0-Black, 255 - 100% Green)
<u>Channel 3 - Blue:</u>	
0-255	Blue (0-Black, 255 - 100% Blue)

4 Channel Mode: This chart details a simple layout of the DMX channel assignment in 4-channel mode.



CHANNEL 1: Red

CHANNEL 2: Green

CHANNEL 3: Blue

CHANNEL 4: Dimming and speed

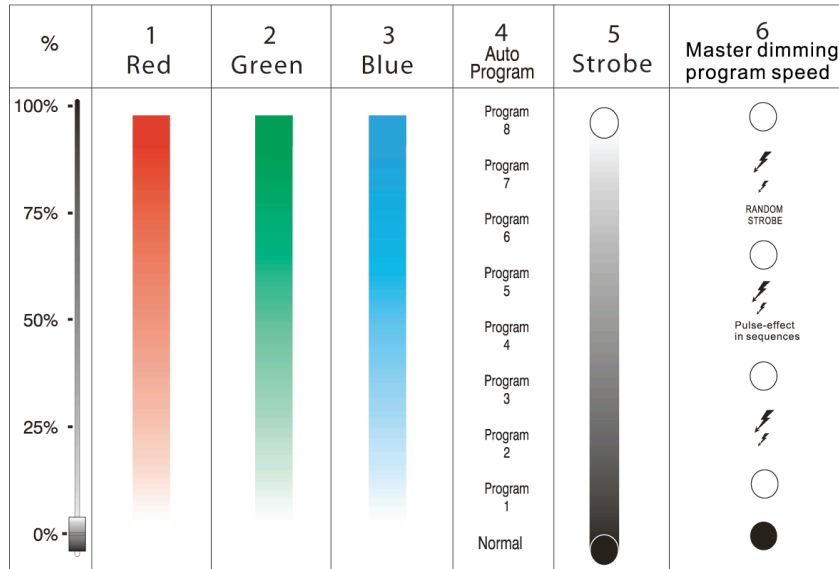
DMX channel's functions and their values (4 Channel Mode):

<u>Channel 1 - Red:</u>	
0-255	Red (0-Black, 255-100% Red)
<u>Channel 2 - Green:</u>	
0-255	Green (0-Black, 255- 100% Green)

<u>Channel 3 - Blue:</u>	
0-255	Blue (0-Black, 255- 100% Blue)
<u>Channel 4 - General dimming / Program Speed Control</u>	
<i>This channel has two functions depending on the operating mode. When running the built-in programs this channel will control the program speed.</i>	
0-255	Dimming (0%-100%) ~ Normal Operation
0-255	Speed (min to max) ~ When running built-in programs on channel 4

6-Channel mode: In this mode channels 1~3 are used to control the RGB LEDs and channels 4~6 will control special features. **6-Channel Mode:** The charts below and on the next page detail the DMX channel layout for 6-channel assignment.

6 Channel mode :



DMX channel's functions and their values (6-Channel Mode):

Channel 1 - Red:

0-255 Red (0-Black, 255-100% Red)

Channel 2 - Green:

0-255 Green (0-Black, 255- 100% Green)

Channel 3 - Blue:

0-255 Blue (0-Black, 255- 100% Blue)

Channel 4 - Internal programs:

0-10 No function

11-40 Internal program 1

41-70 Internal program 2

71-100 Internal program 3

101-130 Internal program 4

131-160 Internal program 5

161-190	Internal program 6
191-220	Internal program 7
221-255	Internal program 8
<u>Channel 5 - Strobe:</u>	
0	No function
1~95	Strobe effect slow to fast
96-127	No function
128-159	Pulse effect in sequences
160-191	No function
192-223	Random strobe effect slow to fast
224-255	No function
<u>Channel 6 - General dimming / Program Speed Control</u>	
<i>This channel has two functions depending on the operating mode. When running the built-in programs this channel will control the program speed, when not running the built-in programs this channel will control master dimming.</i>	
0-255	Dimming (0%-100%) ~ Normal Operation
0-255	Speed (min to max) ~ When running built-in programs on channel 4

15-Channel mode: In this mode channels 1~12 are used to control the various RGB LEDs and channels 13~15 will control special features.

%	1-12 LEDS	13 Auto Program	14 Strobe	15 Master dimming/ program speed
100%		Program 8	○	○
		Program 7	⚡	
75%		Program 6	RANDOM STROBE	
		Program 5	○	
50%		Program 4	⚡	
		Program 3	Pulse-effect in sequences	
25%		Program 2	⚡	
		Program 1	○	
0%		Normal	●	●

CHANNEL 1: Red

CHANNEL 2: Green

CHANNEL 3: Blue

CHANNEL 4: Red

CHANNEL 5: Green

CHANNEL 6: Blue

CHANNEL 7: Red

CHANNEL 8: Green

CHANNEL 9: Blue

CHANNEL 10: Red

CHANNEL 11: Green

CHANNEL 12: Blue

CHANNEL 13: Auto Programs (Built-in Programs)

CHANNEL 14: Strobe

CHANNEL 15: Dimmer/Speed

DMX channel's functions and their values (15 Channel Mode):

<u>Channel 1 - Red:</u>	
0-255	Red (0-Black, 255-100% Red)
<u>Channel 2 - Green:</u>	
0-255	Green (0-Black, 255- 100% Green)
<u>Channel 3 - Blue:</u>	
0-255	Blue (0-Black, 255- 100% Blue)
<u>Channel 4 - Red:</u>	
0-255	Red (0-Black, 255-100% Red)
<u>Channel 5 - Green:</u>	
0-255	Green (0-Black, 255- 100% Green)
<u>Channel 6 - Blue:</u>	
0-255	Blue (0-Black, 255- 100% Blue)
<u>Channel 7 - Red:</u>	
0-255	Red (0-Black, 255-100% Red)
<u>Channel 8 - Green:</u>	
0-255	Green (0-Black, 255- 100% Green)
<u>Channel 9 - Blue:</u>	
0-255	Blue (0-Black, 255- 100% Blue)

Channel 10 - Red:

0-255	Red (0-Black, 255-100% Red)

Channel 11 - Green:

0-255	Green (0-Black, 255- 100% Green)

Channel 12 - Blue:

0-255	Blue (0-Black, 255- 100% Blue)

Channel 13 - Internal programs:

0-10	No function
------	-------------

11-40	Internal program 1
-------	--------------------

41-70	Internal program 2
-------	--------------------

71-100	Internal program 3
--------	--------------------

101-130	Internal program 4
---------	--------------------

131-160	Internal program 5
---------	--------------------

161-190	Internal program 6
---------	--------------------

191-220	Internal program 7
---------	--------------------

221-255	Internal program 8

Channel 14 - Strobe:

0	No function
---	-------------

1~95	Strobe effect slow to fast
------	----------------------------

96-127	No function
--------	-------------

128-159	Pulse effect in sequences
---------	---------------------------

160-191	No function
---------	-------------

192-223	Random strobe effect slow to fast
---------	-----------------------------------

224-255	No function

Channel 15 - General dimming / Program Speed Control

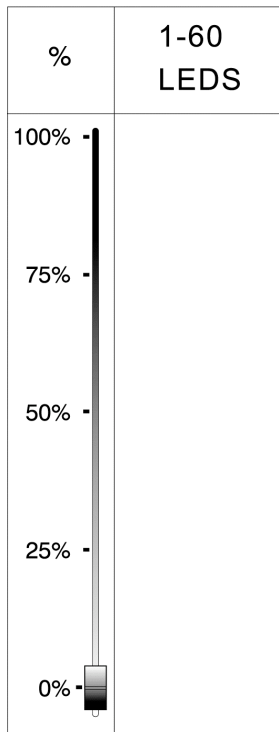
This channel has two functions depending on the operating mode. When running the built-in programs this channel will control the program speed, when not running the built-in programs this channel will control master dimming.

0-255	Dimming (0%-100%) ~ Normal Operation
0-255	Speed (min to max) ~ When running built-in programs on channel 4

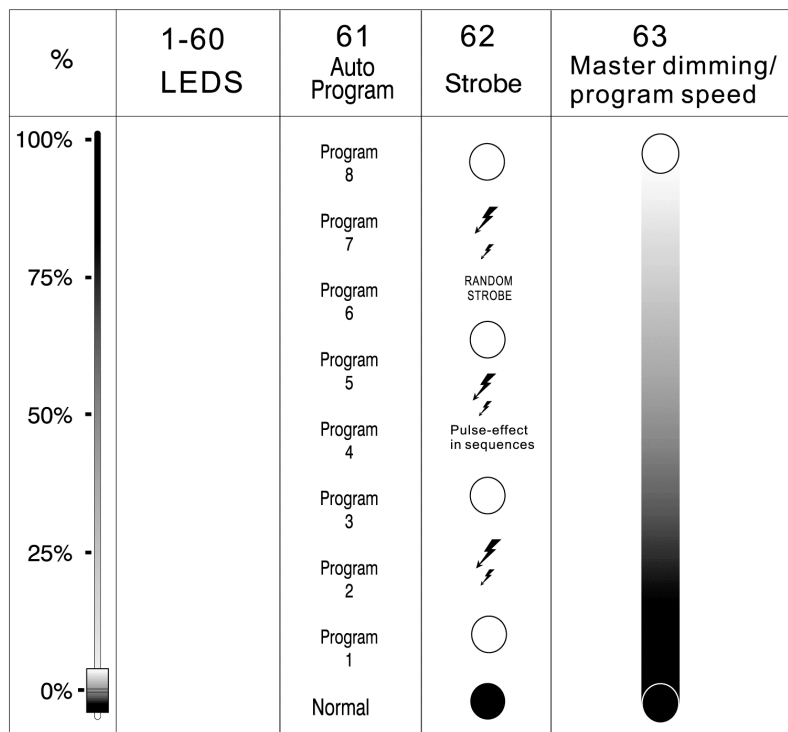
60-Channel Mode will function similarly to 3-Channel mode. Where 3-Chanel mode controls all like colors at one time 60-channnle mode will allow you to control each individual color in each pixel.

63-Channel Mode will function similarly to 15-Channel mode. Where 15-Chanel mode controls all like colors in blocks of 5 at a time 63-channnle mode will allow you to control each individual color in each pixel.

60 Channels mode:



63 Channels mode:



11. CLEANING AND MAINTENANCE

The consider the following point during normal service and inspection:

1. Be sure all screws and fasteners are securely tightened at all times. Lose screws may fall out during normal operation resulting in damage or injury as larger parts could fall.
2. Electric power supply cables must not show any damage, material fatigue or sediments. Never remove the ground prong from the power cable.

Further instructions depending on the installation spot and usage have to be adhered by a skilled installer and any safety problems have to be removed.



CAUTION!

Disconnect from mains before starting maintenance operation.

We recommend a frequent cleaning of the device. Please use a moist, lint- free cloth. Never use alcohol or solvents.

There are no user serviceable parts inside this, please refer all other service issues to an authorized Elation service technician.

Should you decide to service the fixture yourself please order genuine Elation parts directly from Elation.

12. 2-YEAR LIMITED WARRANTY

A. Elation Professional® hereby warrants, to the original purchaser, Elation Professional® products to be free of manufacturing defects in material and workmanship for a period of two years, (730 days) from the date of purchase. This warranty shall be valid only if the product is purchased within the United States of America, including possessions and territories. It is the owner's responsibility to establish the date and place of purchase by acceptable evidence, at the time service is sought.

B. For warranty service, send the product only to the Elation Professional® factory. All shipping charges must be pre-paid. If the requested repairs or service (including parts replacement) are within the terms of this warranty, Elation Professional® will pay return shipping charges only to a designated point within the United States. If the entire instrument is sent, it must be shipped in its original package. No accessories should be shipped with the product. If any accessories are shipped with the product, Elation Professional® shall have no liability what so ever for loss of or damage to any such accessories, nor for the safe return thereof.

C. This warranty is void if the serial number has been altered or removed; if the product is modified in any manner which Elation Professional® concludes, after inspection, affects the reliability of the product; if the product has been repaired or serviced by anyone other than the Elation Professional® factory unless prior written authorization was issued to purchaser by Elation Professional®; if the product is damaged because not properly maintained as set forth in the instruction manual.

D. This is not a service contract, and this warranty does not include maintenance, cleaning or periodic check-up. During the period specified above, Elation Professional® will replace defective parts at its expense, and will absorb all expenses for warranty service and repair labor by reason of defects in material or workmanship. The sole responsibility of Elation Professional® under this warranty shall be limited to the repair of the product, or replacement thereof, including parts, at the sole discretion of Elation Professional®. All products covered by this warranty were manufactured after January 1, 1990, and bare identifying marks to that

effect.

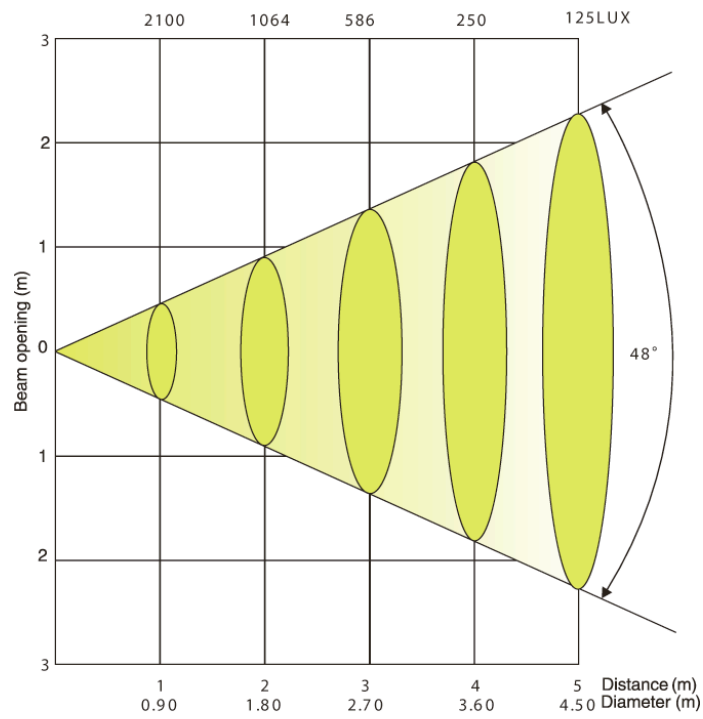
E. Elation Professional® reserves the right to make changes in design and/or improvements upon its products without any obligation to include these changes in any products theretofore manufactured.

F. No warranty, whether expressed or implied, is given or made with respect to any accessory supplied with products described above. Except to the extent prohibited by applicable law, all implied warranties made by Elation Professional® in connection with this product, including warranties of merchantability or fitness, are limited in duration to the warranty period set forth above. And no warranties, whether expressed or implied, including warranties of merchantability or fitness, shall apply to this product after said period has expired. The consumer's and or Dealer's sole remedy shall be such repair or replacement as is expressly provided above; and under no circumstances shall Elation Professional® be liable for any loss or damage, direct or consequential, arising out of the use of, or inability to use, this product.

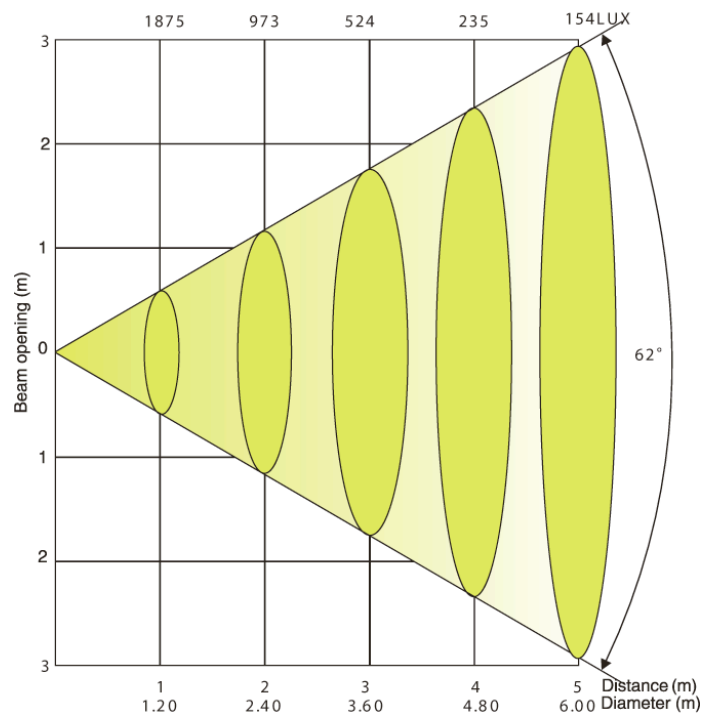
G. This warranty is the only written warranty applicable to Elation Professional® Products and supersedes all prior warranties and written descriptions of warranty terms and conditions heretofore published.

13. PHOTOMETRIC DATA

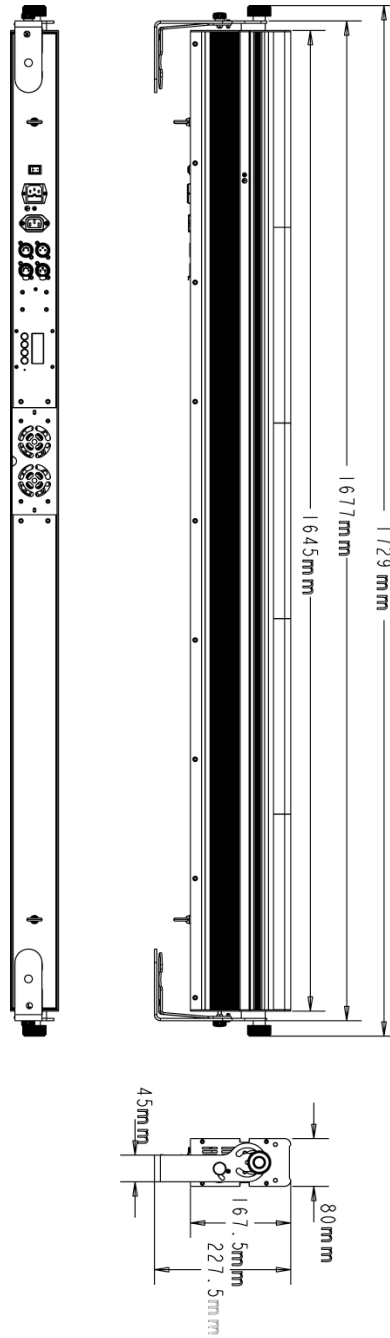
Min. beam angle 48° (30° Lens Kit)



Max. beam angle 62° (45° Lens Kit)



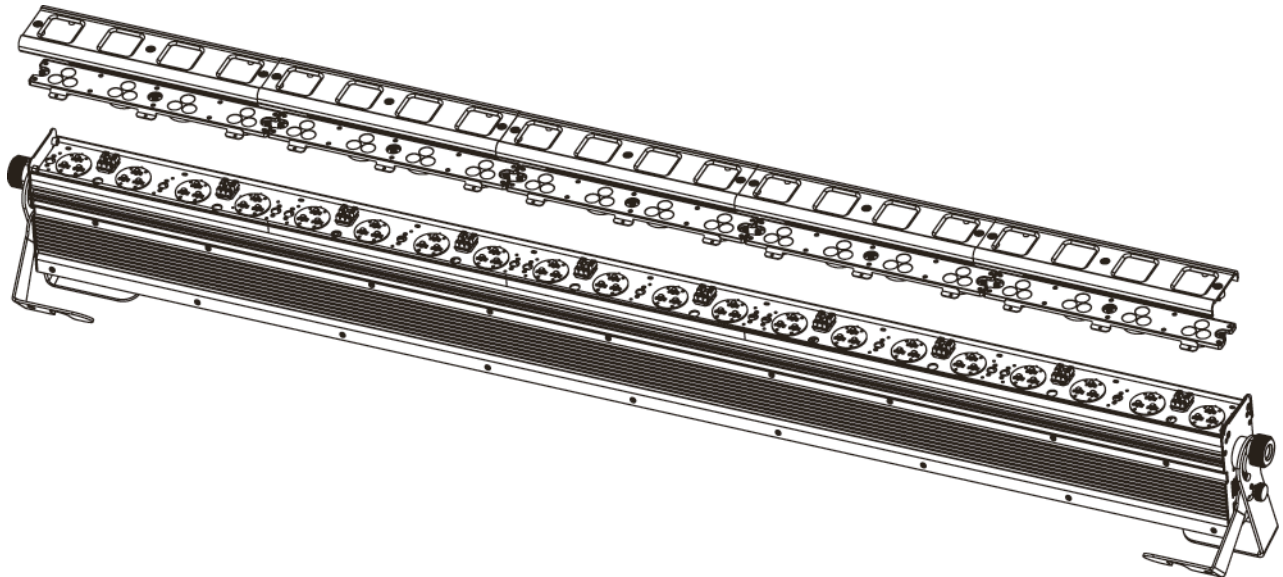
14. DIMENSIONAL DRAWINGS



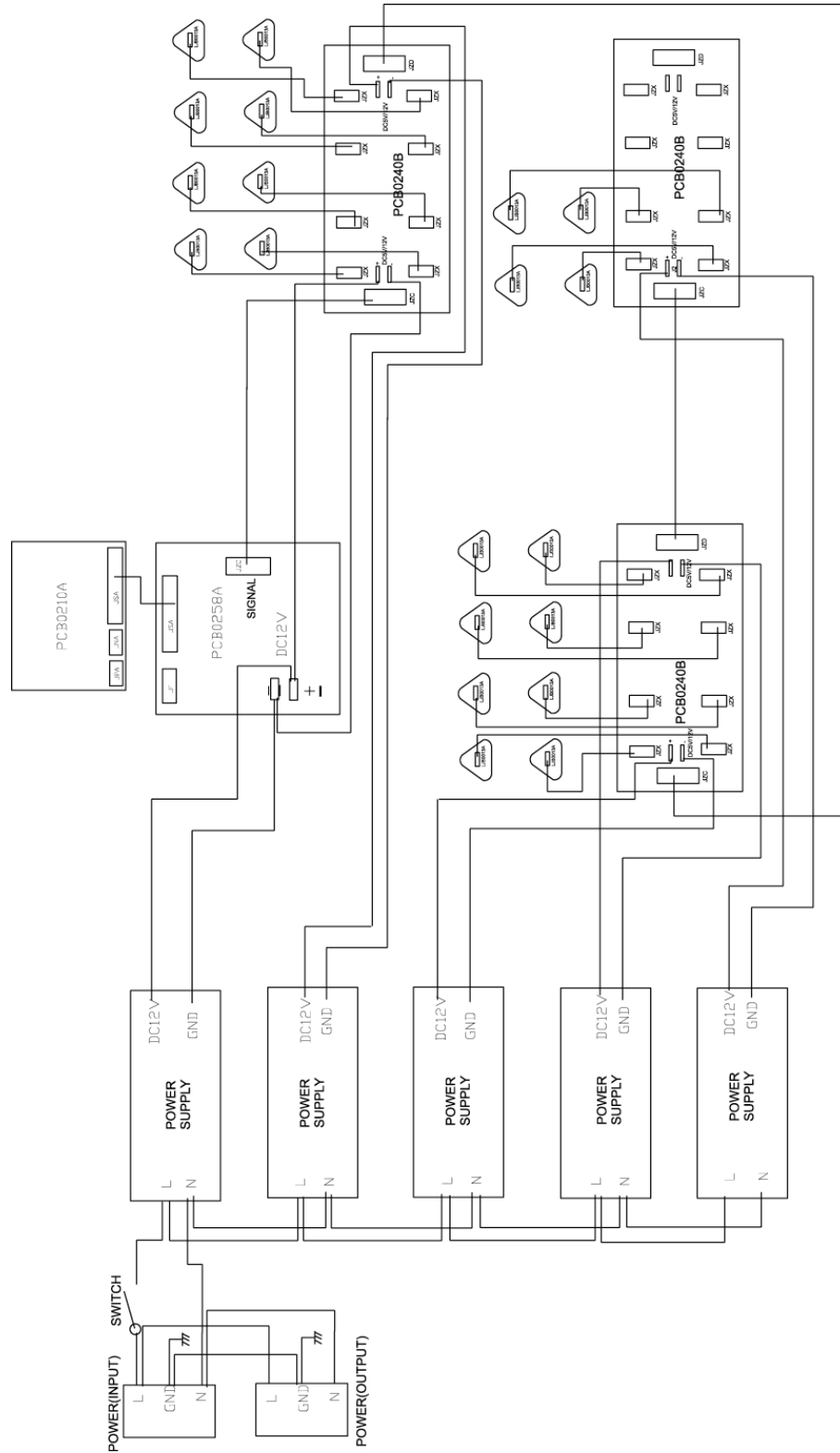
15. LENS CHANGE

The Design LED 60 TriStrip comes with a removable front cover that allows the lenses to be swapped to achieve different beam angles.

The lens cover is held in place by $\frac{1}{4}$ turn locking fasteners. To remove the cover; 1) Turn the locking fasteners in a counter-clockwise direction. 2) Once the fasteners are loose lift the cover to expose the lens assembly (see illustration below). 3) Remove or replace the filters and reassemble.



16. CIRCUIT SCHEMATIC



17. TECHNICAL SPECIFICATIONS

Power supply	
Power Requirements	98~240v 50/60Hz Internal Voltage Taps
Fuse protection	120V = 4A/250V, GMA (5x20mm fine-wire fuse) 220V = 2A/250V, GMA (5x20mm fine-wire fuse)
Power Consumption	250 (maximum @ at full power)
Light Source	
Tri-Color LED	60 x 3-watt LEDs
Life Time	50,000 Hours (Rated)
Optical	
62° (Standard - with frost filters)	
48° (with frost filters removed)	
Color Mixing	
RGB Additive Color Mixing, 16.7 Million Color Possibilities	
Shutter / Strobe / Dimmer	
Strobe-effect with variable speed 1 ~ 25 flashes per second	
Continuously dimming 0% - 100%	
db Level	
36.6 db @ 1m (3ft)	
DMX Channels	
3, 4, 6, 15, 60, or 63, DMX Channel modes	
DMX Drive	
Standard DMX-512, 3 pole XLR; [+]= Pin 3, [-]= Pin 2, [Ground]= Pin 1 or Standard DMX-512, 5 pole XLR; n/a = Pin	
Weights and measures	
Dimensions	17.25" (H) x 13.15" (W) x 8.6" (D) ~ Head vertical
Weight (net)	29.5 Lbs

Please Note: Specifications and improvements in the design of this unit and this manual are subject to change without any prior written notice.



Elation Professional
6122 S. Eastern Ave.
Los Angeles, CA. 90040
323-582-3322 / 323-582-3108 fax
www.ElationLighting.com / Info@ElationLighting.com