

# FUZE PENDANT - CEILING MOUNT KIT

## INSTALLATION GUIDELINES

### SAFETY WARNINGS

The evaluation of a suitable installation surface such as wood, drywall or other materials is the responsibility of the installer, architect, engineer or other skilled person involved in the mounting and securing of the fixture.

The Fuze Pendant itself has a weight of **15.8lbs (7.2 kg)**, which the installation surface must be able to support securely. If in any doubt regarding the suitability of the surface, all weight must be carried by the hanging bracket, with the ceiling mount kit only utilized as a visual trim kit for a clean installation. The ceiling kit / trim ring can be installed with or without the provided body support plates.

The Fuze Pendant and ceiling kit are NOT plenum rated.

The Fuze Pendant must ALWAYS be secured by a secondary safety cable from its included safety eyelet to an independent structural element. Such elements can be ceiling joists, concrete ceilings and other structural systems which can secure the fixture in case of failure of the mounting surface to carry the Fuze Pendant securely.

**Failure to provide the secondary safety can lead to serious injury or death.**

The secure installation of the Fuze Pendant is always the responsibility of the customer, as the evaluation of surfaces and installation methods is beyond the scope of Elation Professional to predict. A structural engineer should be consulted for all overhead installations of fixtures to provide calculations and approval for weights, primary and safety attachment points and suitability of surfaces and appropriate fastening methods.

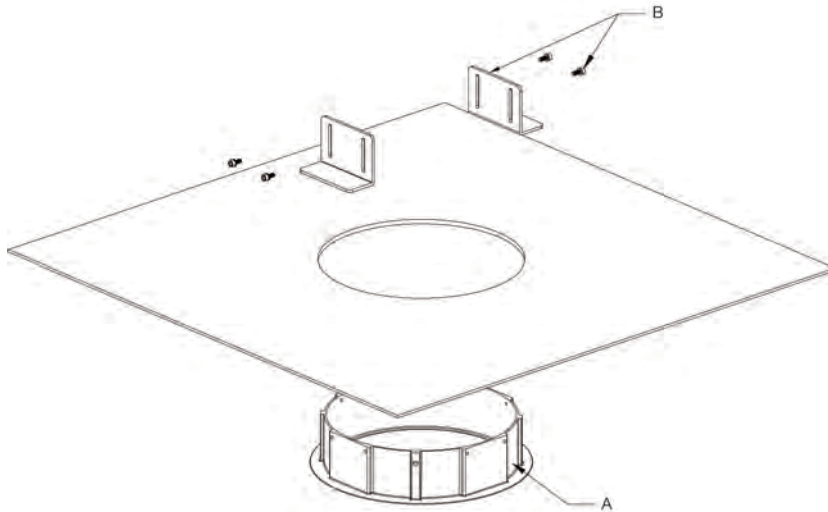
Secure and structurally safe installation approved by an engineer is imperative for mounting the Fuze Pendant into recessed ceilings.

**Elation Professional is not responsible for the installation methods and choices of installation surfaces.**

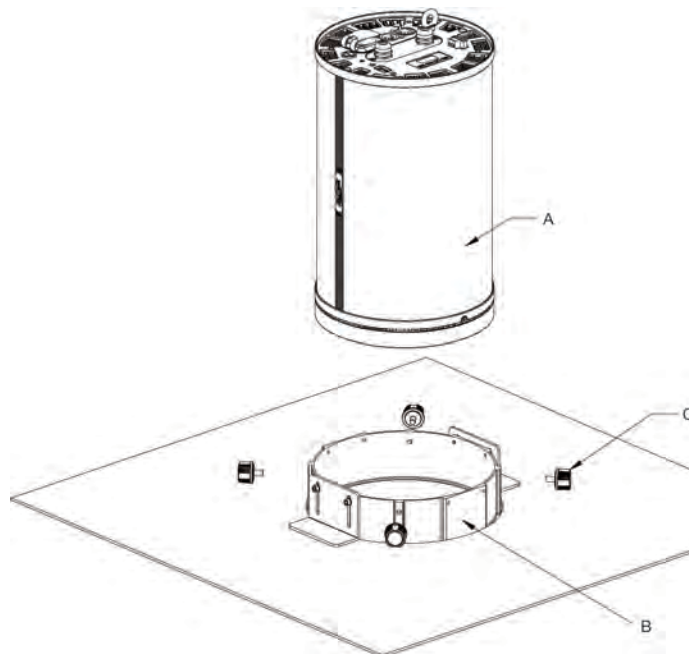
**Improper installation, unsuitable surfaces and failure to secure a secondary safety cable can lead to serious injury or death.**

# FUZE PENDANT - CEILING MOUNT KIT INSTALLATION GUIDELINES

## INSTALLATION



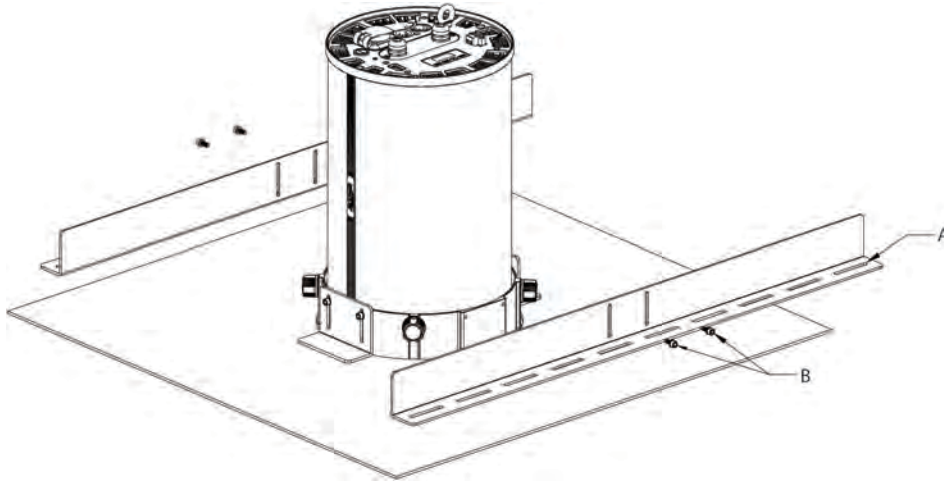
1. Open an 8.5-inch diameter hole in the desired ceiling panel. Insert the aluminum trim ring **(A)** through the hole from the underside of the panel, then secure the trim ring in place with the included screws, washers, and support brackets **(B)**.



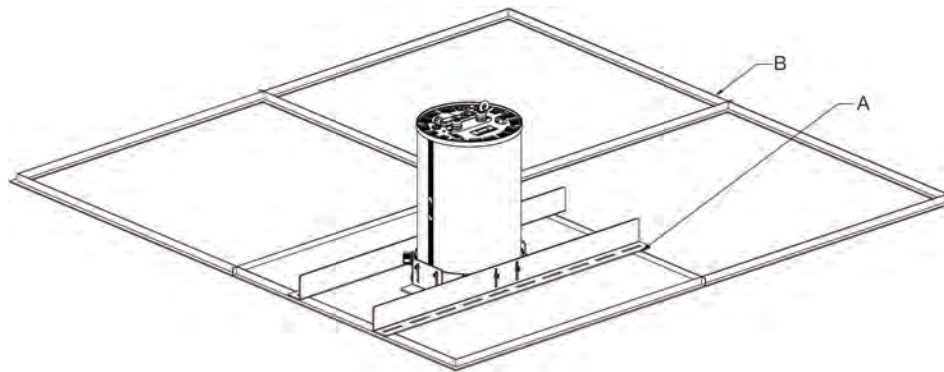
2. Lower the lighting fixture **(A)** into the trim ring **(B)** from above. Secure the lighting fixture in place by tightening the four (4) thumb screws **(C)**.

# FUZE PENDANT - CEILING MOUNT KIT INSTALLATION GUIDELINES

## INSTALLATION



3. Attach the body support plates **(A)** to the trim ring using the included screws and washers **(B)**.

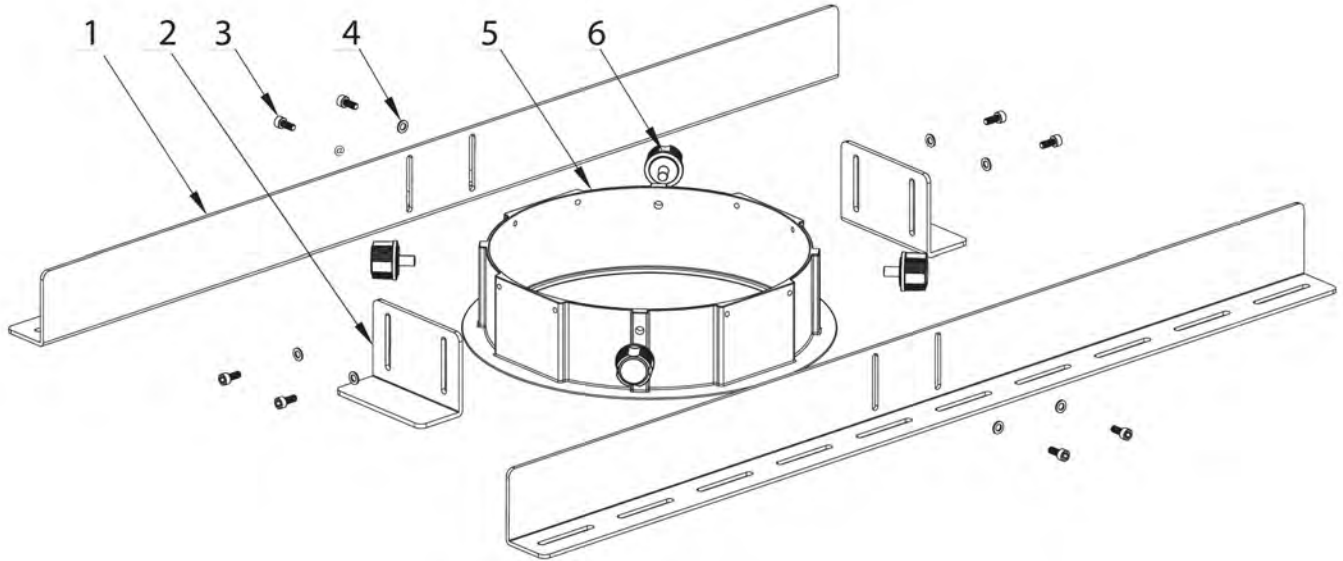


4. Install the entire assembly back into the ceiling at the desired location, making sure that the ends of the body support plates **(A)** are resting on firmly on the ceiling support grid **(B)**. Secure the body support plates in place using the appropriate hardware.

# FUZE PENDANT - CEILING MOUNT KIT

## INSTALLATION GUIDELINES

### COMPONENT LIST



ITEM NO.	ITEM	QTY.
1	Body Support Plate	2
2	Trim Ring Support Bracket	2
3	Hex Screw, M4x10	8
4	Flat Head Washer, M4x8x0.8	8
5	Trim Ring	1
6	Thumb Screw, M6x10	4