

DARTZ 360

user manual

ELATION | DARTZ 360™ | user manual

©2018 ELATION PROFESSIONAL all rights reserved. Information, specifications, diagrams, images, and instructions herein are subject to change without notice. ELATION PROFESSIONAL logo and identifying product names and numbers herein are trademarks of ELATION PROFESSIONAL. Copyright protection claimed includes all forms and matters of copyrightable materials and information now allowed by statutory or judicial law or hereinafter granted. Product names used in this document may be trademarks or registered trademarks of their respective companies and are hereby acknowledged. All non-ELATION brands and product names are trademarks or registered trademarks of their respective companies.

ELATION PROFESSIONAL and all affiliated companies hereby disclaim any and all liabilities for property, equipment, building, and electrical damages, injuries to any persons, and direct or indirect economic loss associated with the use or reliance of any information contained within this document, and/or as a result of the improper, unsafe, insufficient and negligent assembly, installation, rigging, and operation of this product.

Elation Professional USA | 6122 S. Eastern Ave. | Los Angeles, CA. 90040

323-582-3322 | 323-832-9142 fax | www.elationlighting.com | info@elationlighting.com

Elation Professional B.V. | Junostraat 2 | 6468 EW Kerkrade, The Netherlands

+31 45 546 85 66 | +31 45 546 85 96 fax | www.elationlighting.eu | info@elationlighting.eu



DOCUMENT VERSION

Due to additional product features and/or enhancements, an updated version of this document may be available online.

Please check Elation Service for the latest revision/update of this manual, before beginning installation and/or programming.

Date	Document Version	Software Version ≥	DMX Channel Modes	Notes
11/07/17	1	1.1.5	19 / 22 / 25	Updated release.
02/08/18	2	1.1.9	NO CHANGE	Updated Installation Diagrams, unit now ships with 2 Omega Brackets.
06/29/20	3	N/C	NO CHANGE	Updated thermal

CONTENTS

General Information	4
Warranty	6
Safety Instructions and Guidelines	7
Overview	9
Installation	10
System Menu	16
E-FLY Wireless DMX Set Up	20
DMX Channel Functions And Values	22
Gobo Wheel	26
Error Codes	27
Cleaning and Maintenance	28
Technical Specifications	29
Optional Accessories	31

GENERAL INFORMATION

INTRODUCTION

This fixture has been designed to perform reliably for years when the guidelines in this manual are followed. Please read and understand the instructions in this manual carefully and thoroughly before attempting to operate this unit. These instructions contain important information regarding safety during use and maintenance.

UNPACKING

Every fixture has been thoroughly tested and has been shipped in perfect operating condition. Carefully check the shipping carton for damage that may have occurred during shipping. If the carton appears to be damaged, carefully inspect your unit for damage and be sure all accessories necessary to operate the unit have arrived intact. In the event damage has been found or parts are missing, please contact our customer support team for further instructions. Please do not return this unit to your dealer without first contacting customer support at the number listed below. Please do not discard the shipping carton in the trash. Please recycle whenever possible.

BOX CONTENTS

- (2) Omega Brackets (NOTE: Initial units shipped with single Omega Bracket design)
- (1) Power Cable

CUSTOMER SUPPORT

Elation Professional® provides a customer support line, to provide set up help and to answer any question should you encounter problems during your set up or initial operation. You may also visit us on the web at www.elationlighting.com for any comments or suggestions. For service related issue please contact Elation Professional®.

ELATION SERVICE USA - Monday - Friday 8:00am to 5:00pm PST

Voice: 323-582-3322

Fax: 323-832-9142

E-mail: support@elationlighting.com

ELATION SERVICE EUROPE - Monday - Friday 08:30 to 17:00 CET

Voice: +31 45 546 85 30

Fax: +31 45 546 85 96

E-mail: support@elationlighting.eu

WARRANTY RETURNS

All returned service items whether under warranty or not, must be freight pre-paid and accompany a return authorization (R.A.) number. The R.A. number must be clearly written on the outside of the return package. A brief description of the problem as well as the R.A. number must also be written down on a piece of paper and included in the shipping container. If the unit is under warranty, you must provide a copy of your proof of purchase invoice. Items returned without a R.A. number clearly marked on the outside of the package will be refused and returned at customer's expense. You may obtain a R.A. number by contacting customer support.

IMPORTANT NOTICE!



There are no user serviceable parts inside this unit. Do not attempt any repairs yourself; doing so will void your manufactures warranty. Damages resulting from modifications to this fixture and/or the disregard of safety and general user instructions found in this user manual void the manufactures warranty and are not subject to any warranty claims and/or repairs.

LIMITED WARRANTY

A. Elation Professional® hereby warrants, to the original purchaser, Elation Professional® products to be free of manufacturing defects in material and workmanship for a period of two years (730 days), and Elation Professional® product rechargeable batteries to be free of manufacturing defects in material and workmanship for a period of six months (180 days), from the original date of purchase. This warranty excludes discharge lamps and all product accessories. This warranty shall be valid only if the product is purchased within the United States of America, including possessions and territories. It is the owner's responsibility to establish the date and place of purchase by acceptable evidence, at the time service is sought.

B. For warranty service, send the product only to the Elation Professional® factory. All shipping charges must be pre-paid. If the requested repairs or service (including parts replacement) are within the terms of this warranty, Elation Professional® will pay return shipping charges only to a designated point within the United States. If any product is sent, it must be shipped in its original package and packaging material. No accessories should be shipped with the product. If any accessories are shipped with the product, Elation Professional® shall have no liability what so ever for loss and/or or damage to any such accessories, nor for the safe return thereof.

C. This warranty is void if the product serial number and/or labels are altered or removed; if the product is modified in any manner which Elation Professional® concludes, after inspection, affects the reliability of the product; if the product has been repaired or serviced by anyone other than the Elation Professional® factory unless prior written authorization was issued to purchaser by Elation Professional®; if the product is damaged because not properly maintained as set forth in the product instructions, guidelines and/or user manual.

D. This is not a service contract, and this warranty does not include any maintenance, cleaning or periodic check-up. During the periods as specified above, Elation Professional® will replace defective parts at its expense, and will absorb all expenses for warranty service and repair labor by reason of defects in material or workmanship. The sole responsibility of Elation Professional® under this warranty shall be limited to the repair of the product, or replacement thereof, including parts, at the sole discretion of Elation Professional®. All products covered by this warranty were manufactured after January 1, 1990, and bare identifying marks to that effect.

E. Elation Professional® reserves the right to make changes in design and/or performance improvements upon its products without any obligation to include these changes in any products theretofore manufactured.

F. No warranty, whether expressed or implied, is given or made with respect to any accessory supplied with the products described above. Except to the extent prohibited by applicable law, all implied warranties made by Elation Professional® in connection with this product, including warranties of merchantability or fitness, are limited in duration to the warranty periods set forth above. And no warranties, whether expressed or implied, including warranties of merchantability or fitness, shall apply to this product after said periods have expired. The consumer's and/or dealer's sole remedy shall be such repair or replacement as is expressly provided above; and under no circumstances shall Elation Professional® be liable for any loss and/or damage, direct and/or consequential, arising out of the use of, and/or the inability to use, this product.

G. This warranty is the only written warranty applicable to Elation Professional® products and supersedes all prior warranties and written descriptions of warranty terms and conditions heretofore published.

SAFETY INSTRUCTIONS AND GUIDELINES

This fixture is an extremely sophisticated piece of electronic equipment. To guarantee a smooth operation, it is important to follow all instructions and guidelines in this manual.

The manufacturer of this device is not responsible for injury and/or damages resulting from the misuse of this fixture due to the disregard of the information printed in this manual.

Only qualified and/or certified personnel should perform installation of this fixture and only the original rigging parts (omega brackets) included with this fixture should be used for installation. Any modifications to the fixture and/or the mounting hardware included will void the original manufactures warranty and increase the risk of damage and/or personal injury.



PROTECTION CLASS 1 - FIXTURE MUST BE PROPERLY GROUNDED



DO NOT PLUG FIXTURE INTO A DIMMER PACK!

NEVER OPEN THIS FIXTURE WHILE IN USE!

UNPLUG POWER BEFORE SERVICING FIXTURE!

NEVER TOUCH FIXTURE DURING OPERATION, AS IT MAY BE HOT!

KEEP FLAMMABLE MATERIALS AWAY FROM FIXTURE!



INDOOR / DRY LOCATIONS USE ONLY!

DO NOT EXPOSE FIXTURE TO RAIN AND MOISTURE!



LOOK DIRECTLY INTO THE LIGHT SOURCE!

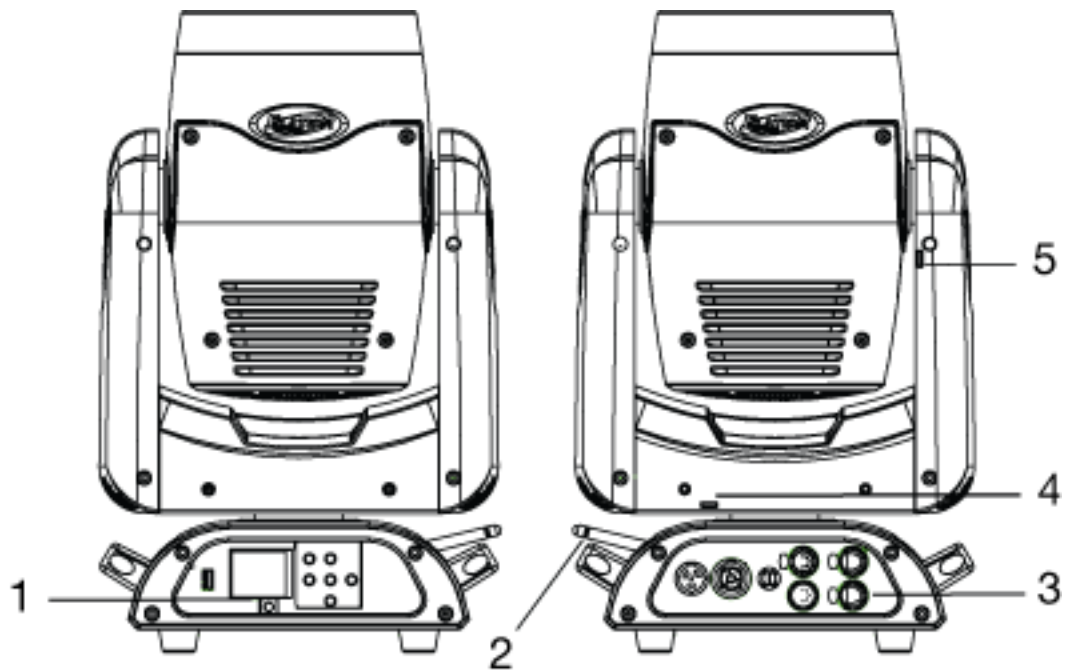
RETINA INJURY RISK - MAY INDUCE BLINDNESS!

SENSITIVE PERSONS MAY SUFFER AN EPILEPTIC SHOCK!

SAFETY INSTRUCTIONS AND GUIDELINES

- **DO NOT TOUCH** the fixture housing during operation. Turn OFF the power and allow approximately 15 minutes for the fixture to cool down before serving.
- **DO NOT** shake fixture, avoid brute force when installing and/or operating fixture.
- **DO NOT** operate fixture if the power cord has become frayed, crimped, damaged and/or if any of the power cord connectors are damaged and do not insert into the fixture securely with ease. **NEVER** force a power cord connector into the fixture. If the power cord or any of its connectors are damaged, replace it immediately with a new one of similar power rating.
- **DO NOT** block any air ventilation slots. All fan and air inlets must remain clean and never blocked. Allow approx. 6" (15cm) between fixture and other devices or a wall for proper cooling.
- When installing fixture in a suspended environment, always use mounting hardware that is no less than M10 x 25 mm, and always install fixture with an appropriately rated safety cable.
- Always disconnect fixture from main power source before performing any type of service and/or cleaning procedure. Only handle the power cord by the plug end, never pull out the plug by tugging the wire portion of the cord.
- During the initial operation of this fixture, a light smoke or smell may emit from the interior of the fixture. This is a normal process and is caused by excess paint in the interior of the casing burning off from the heat associated with the lamp and will decrease gradually over time.
- Consistent operational breaks will ensure the fixture will function properly for many years to come.
- **ONLY** use the original packaging and materials to transport fixture in for service.

OVERVIEW



1. LCD Control Menu Display & Buttons, Wireless Indicator, USB Update
2. E-FLY Wireless Antennae
3. Power, 5pin DMX, RJ45 Ethernet IN/OUT, Fuse
4. Pan Lock
5. Tilt Lock

INSTALLATION



FLAMMABLE MATERIAL WARNING

Keep fixture at least 5.0 feet (1.5m) away from any flammable materials, decorations, pyrotechnics, etc.



ELECTRICAL CONNECTIONS

A qualified electrician should be used for all electrical connections and/or installations.

DO NOT INSTALL THE FIXTURE IF YOU ARE NOT QUALIFIED TO DO SO!

Fixture **MUST** be installed following all local, national, and country commercial electrical and construction codes and regulations.

Before rigging/mounting the fixture to any metal truss/structure or placing the fixture on any surface, a professional equipment installer **MUST** be consulted to determine if the metal truss/structure or surface is properly certified to safely hold the combined weight of the fixture, clamps, cables, and accessories.

Fixture ambient operating temperature range is **14° to 113°F. (-10° to 45°C)**

Do not use the fixture under or above this temperature.

Fixture should be installed in areas outside walking paths, seating areas, or away from areas where unauthorized personnel might reach the fixture by hand.

NEVER stand directly below the fixture when rigging, removing or servicing.

Overhead fixture installation must always be secured with a secondary safety attachment, such as an appropriately rated safety cable that can hold 10 times the weight of the fixture.

Allow approximately 15 minutes for the fixture to cool down before serving.

POWER LINKING

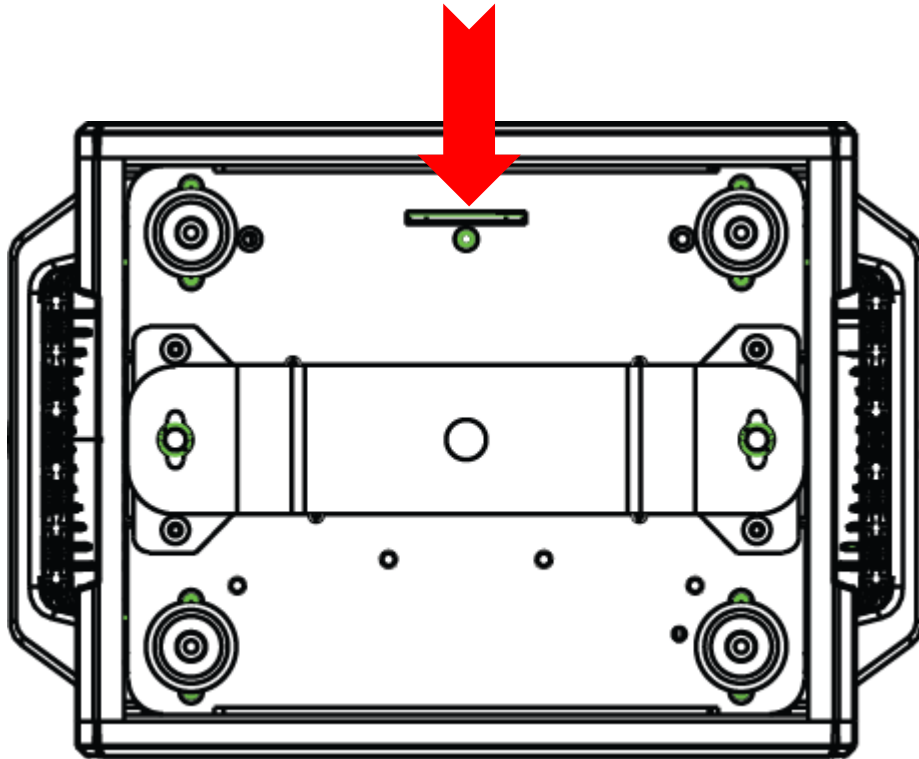
Max number of fixtures power linked together: **10 units @120V | 20 units @240V**

- ▶ **USE CAUTION WHEN POWER LINKING OTHER FIXTURES TO THIS FIXTURE AS THE POWER CONSUMPTION OF OTHER LIGHTING FIXTURES WILL VARY!**

OMEGA BRACKET INSTALLATION (INITIAL UNITS ONLY)

Insert the **Omega Bracket** into the matching holes on the bottom of the fixture. Secure the **Omega Bracket** to the fixture by turning each quick-lock fastener $\frac{1}{4}$ turn clockwise; making sure the fastener is completely locked.

**SAFETY CABLE
RIGGING POINT**

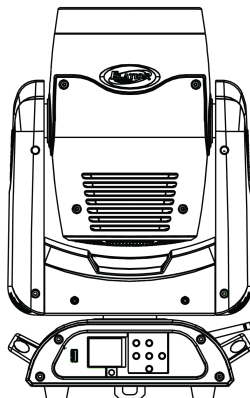
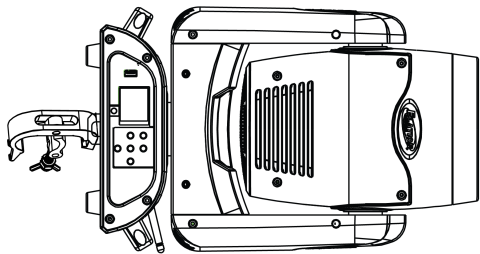
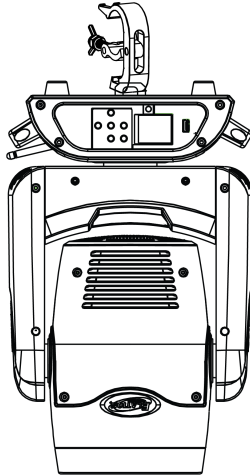


CLAMP INSTALLATION (INITIAL UNITS ONLY)

When mounting fixture to truss, be sure to secure an appropriately rated professional grade rigging clamp (not included) to the included **Omega Bracket** using an M10 screw fitted through the center hole of the **Omega Bracket**. The fixture provides a built-in rigging point for a **SAFETY CABLE**. Be sure to only use the designated rigging point for the safety cable and never secure a safety cable to a carrying handle.

RIGGING (INITIAL UNITS ONLY)

Overhead rigging requires extensive experience, including amongst others calculating working load limits, installation material being used, and periodic safety inspection of all installation material and the fixture. If you lack these qualifications, do not attempt the installation yourself. Improper installation can result in bodily injury. Fixture is fully operational in the specific mounting positions illustrated below.

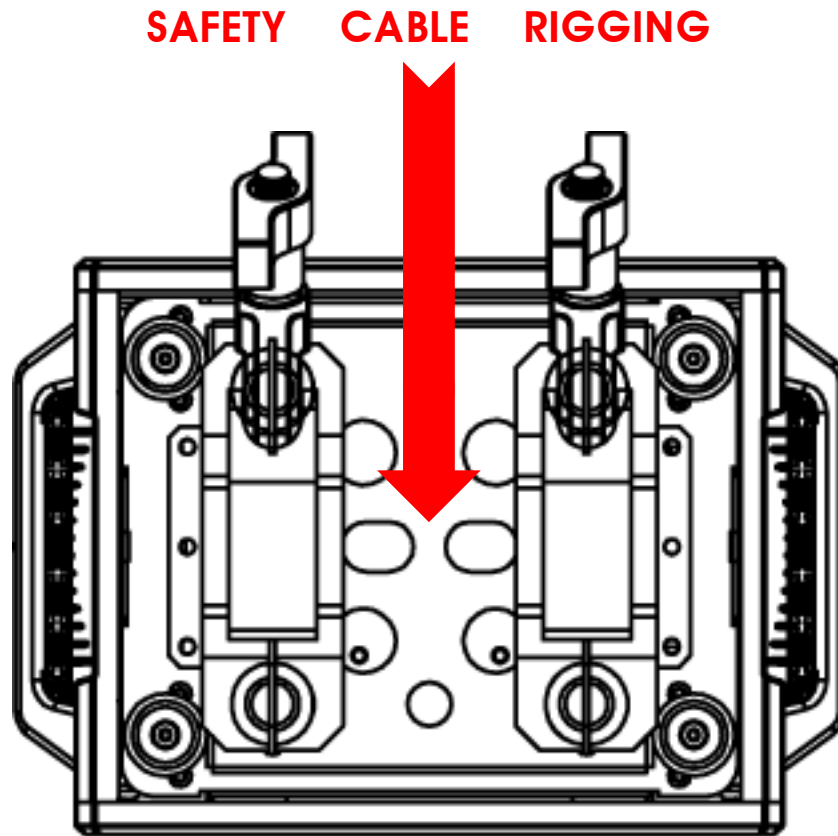


S A F E T Y C A B L E

**ALWAYS ATTACH A SAFETY CABLE
WHENEVER INSTALLING THIS
FIXTURE IN A SUSPENDED
ENVIRONMENT TO ENSURE THE
FIXTURE WILL NOT DROP IF THE
CLAMP FAILS.**

OMEGA BRACKETS INSTALLATION (CURRENT UNITS NOW SHIPPING)

Insert both included **Omega Brackets** into the matching holes on the bottom of the fixture. Secure both **Omega Brackets** to the fixture by turning each quick-lock fastener $\frac{1}{4}$ turn clockwise; making sure the fastener is completely locked.

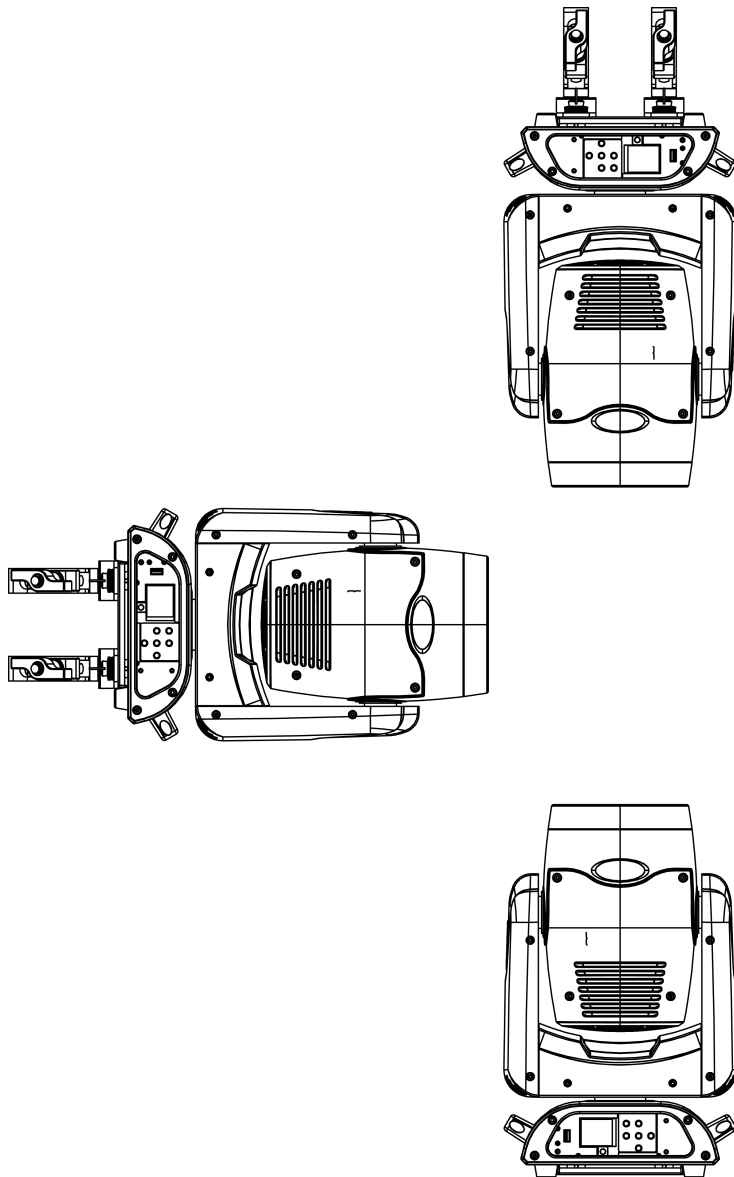


CLAMP (x2) INSTALLATION (CURRENT UNITS NOW SHIPPING)

When mounting fixture to truss, be sure to secure 2 appropriately rated professional grade rigging clamps (not included) to the included **Omega Brackets** using an M10 screw fitted through the center hole of the **Omega Brackets**. The fixture provides built-in rigging points for a **SAFETY CABLE**. Be sure to only use the designated rigging points for the safety cable and never secure a safety cable to a carrying handle.

RIGGING (CURRENT UNITS NOW SHIPPING)

Overhead rigging requires extensive experience, including amongst others calculating working load limits, installation material being used, and periodic safety inspection of all installation material and the fixture. If you lack these qualifications, do not attempt the installation yourself. Improper installation can result in bodily injury. Fixture is fully operational in the specific mounting positions illustrated below.



S A F E T Y C A B L E
ALWAYS ATTACH A SAFETY CABLE
WHENEVER INSTALLING THIS
FIXTURE IN A SUSPENDED
ENVIRONMENT TO ENSURE THE
FIXTURE WILL NOT DROP IF THE
CLAMP FAILS

ETHERNET CONNECTION

When connecting fixture to a network switch to control multiple devices, a **Gigabit Ethernet Switch** that supports **IGMP (Internet Group Management Protocol)** is required. Using a **Gigabit Ethernet Switch** that does not support **IGMP** can cause erratic behavior of all connected devices to the switch.

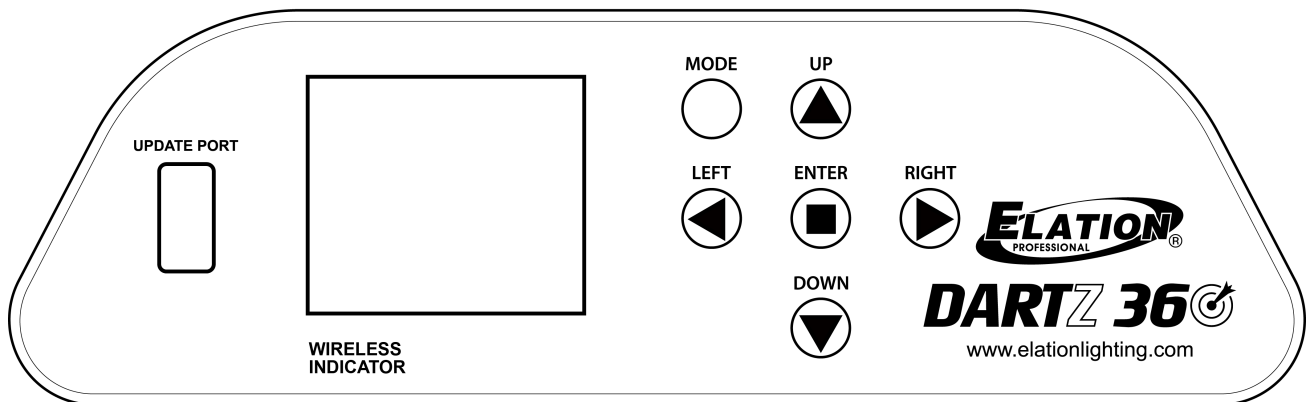
Click link below for more information about IGMP.

https://en.wikipedia.org/wiki/Internet_Group_Management_Protocol

SYSTEM MENU

The fixture includes an easy to navigate system menu. The control panel (see image below) located on the front of the fixture, provides access to the main system menu and is where all necessary system adjustments are made to the fixture. During normal operation, pressing **MODE/ESC** button once will access the fixture's main menu. Once in the main menu you can navigate through the different functions and access the sub-menus with the **UP**, **DOWN**, **RIGHT**, and **LEFT** buttons. Once you reach a field that requires adjusting, press the **ENTER** button to activate that field and use the **UP** and **DOWN** buttons to adjust the field. Pressing the **ENTER** button once more will confirm your setting. You may exit the main menu at any time without making any adjustments by pressing the **MODE/ESC** button.

- ▶ **NOTE:** To access the LCD Menu Control Display via the internal battery, press and hold the **MODE/ESC** button for 3 seconds. The LCD Menu Control Display will shut **OFF** automatically about 1 minute from the last button press.



ELATION® DARTZ 360™ SYSTEM MENU

Features are subject to change without any prior written notice.

Supports Software Versions: ≥ 1.1.5

MAIN MENU	SUB MENU	OPTIONS / VALUES (Default Settings in BOLD)	DESCRIPTION	
Receive	Set Address	001 ~ XXX	DMX Address Setting	
User Mode	User Mode	Basic (19 Channel) Standard (22 Channel) Extend (25 Channel) User A User B User C	Set DMX Channel / User Mode	
	Edit A	Max. Chan	Edit User Defined Channel Assignments	
	Edit B	:		
	Edit C	Dim Modes		
Function	Status	NoDMX Mode	Hold / Auto / Blackout	Function If NO DMX Detected
		P.Reverse	ON / OFF	Pan Reverse Movement
		T.Reverse	ON / OFF	Tilt Reverse Movement
		Pan Degree	630/ 540	Pan Degree Select
		Feedback	ON /OFF	Movement Feedback
		Move. Speed	Speed 1 ~ 4	Movement Mode Select
		Dormancy	OFF, 01M~99M, 15M	Stand By Mode
	Fixtrure ID	Service PIN	PIN= 050	Enter PIN to Access Fixture ID Menus
		Universe	0 -255	Set DMX Universe (PSWD Required)
		UnitIPAddr	XXX . XXX . XXX . XXX	Set Ethernet IP (PSWD Required)
		Mask ADDR	XXX . XXX . XXX . XXX	Set Ethernet Mask IP (PSWD Required)
	Protocol Set	ArtNet , sACN	Select Ethernet Protocol	
	KlingNet	Enable , Disable	Select KlingNet Protocol	
	Net Switch	ON , OFF	Enable Net Switch Function	
	Dim Mode	Standard , Stage, TV, Architectur, Theatre	Set Dimmer Curve Mode	
	Temp. C/F	Celsius/ Fahrenheit	Temperature Switch Between C°/ F°	
	Gamma	2.0 , 2.2, 2.4, 2.8	Set Gamma Brightness	
	Frequency	900Hz , 1000Hz, 1100Hz, 1200Hz, 1300Hz, 1400Hz, 1500Hz, 2500Hz, 4000Hz, 5000Hz, 10Hz, 15Hz, 20Hz, 25Hz	Set LED Refreash Frequency	
	E-FLY	OFF , ON	Enable E-FLY Wireless DMX	
	Wireless	CH:00 , 01-14	Set E-FLY Wireless Channel	
	Fan Set	Head Fan	Auto , High, Low	Set Head Fan Speed
	LCD. Set	Backlight	02~60m 05m	LCD Backlight Shut Off Time
		FlipDisplay	ON / OFF	Flip/Reverse LCD Display 180°
		Key Lock	ON / OFF	Control Front Panel Buttons Key Lock
		Disp Flash	ON / OFF	Display flashes when NO DMX
	Disp. Set	Chan. Value	ALL ~ Dim Modes	Value of each Channel Displayed
		Slave Set	Slave 1 , Slave 2, Slave 3	Set Slave Mode Preset
		Auto.Pro	Alone , Master	Set Auto Program Mode
	DFSE	OFF , ON	Restore Factory Settings	
	USB Update	OFF , ON	N/A - FUTURE OPTION TBA	

ELATION© DARTZ 360™ SYSTEM MENU

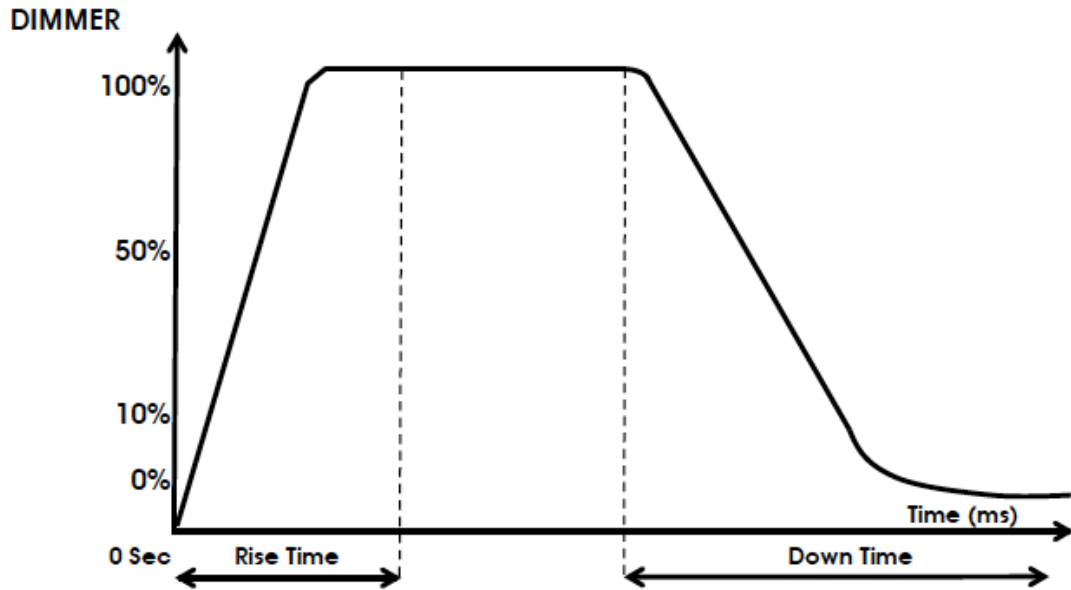
Features are subject to change without any prior written notice.

Supports Software Versions: ≥ 1.1.5

MAIN MENU	SUB MENU	OPTIONS / VALUES (Default Settings in BOLD)		DESCRIPTION	
Information	Time. Info	CurrentTime	XXXX (Hours)	Fixture Run Time From Power ON	
		Total Time	XXXX (Hours)	Fixture Total Run Time	
		Last Time	XXXX (Hours)	Clear Fixture Last Run Time	
		Timer PIN	PIN= 050	Enter PIN to Access Clear Last. Menu	
		Clear Last	ON / OFF	Reset Fixture Last Run Time	
	Temp. Info	R:xxx F°	Temperature of RED LED		
		G:xxx F°	Temperature of GREEN LED		
		B:xxx F°	Temperature of BLUE LED		
	Fan Speed	Fan1 :xxxx RPM	Speed of Fan1		
		Fan2 :xxxx RPM	Speed of Fan2		
	Error. Info	Error Record 1 ~ Error Record 10		Display 10 Recent Error Messages	
	Model. Info	DARTZ 360		Display Model Name	
	Software.V	1U01:	V0.0.0	Software Versions (Greater than or Equal to)	
		2U01:	V0.0.0		
3U01:		V0.0.0			
4U01:		V0.0.0			
5U01:		V0.0.0			
Test	Reset. Motor	All, Pan&Tilt, Fixed Gobo		Reset of Motors	
	TestChannel	Pan, Pan Fine, Tilt, Tilt Fine, Pan Rotate, Tilt Rotate, Red, Red Fine, Green, Green Fine, Blue, Blue Fine, Fixed Gobo, Prism1, Prism1Rot, Prism2, Prism2Rot, Strobe, Dimmer, Dim Fine, Focus, Frost, DimMode, P/T Speed, Reset/Prog		Test Functions	
	Panel. Ctrl	Pan,Tilt, Pan Rotate, Tilt Rotate, Red, Green, Blue, Fixed Gobo, Prism1, Prism1Rot, Prism2, Prism2Rot, Strobe, Dimmer, Dim Fine, Focus, Frost, DimMode, P/T Speed, Reset/Prog		Fine Adjustments	
	Calibrate	Password	Password= 050	Calibration of Motors and LEDs	
Program	Select. Pro	Auto Pro Part1 = Program 1~9 (Program 1)		Select Programs To Be Run	
		Auto Pro Part2 = Program 1~9 (Program 2)			
		Auto Pro Part3 = Program 1~9 (Program 3)			
	Edit. Pro	Program 1	Program Test		Testing Program
		:	Step 01=SCxxx		Program In Loop
		Program 9	Step 64=SCxxx		Save and Exit
	Edit. Sce	Scene 001 ~ Scene 250	Pan,Tilt,.....		Save and Automatically Return
--Fade Time--			Manual Scenes Edit		
--Scene Time--					
		Input By Outside		Stores Scenes via Ext DMX Console	

DIMMER CURVE MODES - Dim Mode

Select desired DIMMER MODE (**Standard**, Stage, TV, Architectural, Theatre).



Dimming Curve Ramp Effect	0 sec Fade Time		1 sec Fade Time	
	Rise Time (ms)	Down Time (ms)	Rise Time (ms)	Down Time (ms)
Standard (default)	0	0	0	0
Stage	780	1100	1540	1660
TV	1180	1520	1860	1940
Architectural	1380	1730	2040	2120
Theatre	1580	1940	2230	2280



TEST - Calibrate

ONLY QUALIFIED TECHNICIANS SHOULD PERFORM THIS FUNCTION.

This function allows small adjustments to be made to the Pan, Tilt, and Zoom movements to compensate for wear or in the event a sensor has been knocked slightly out of place. Because improper use of this function can result in undesired operation this function has been password protected. The password is **050** and must be entered each time the calibration menu function is entered. Because calibration is an extremely delicate procedure, instructions on performing this action are left out of this manual. For a first time calibrator, please contact our customer support team for step-by-step instructions.


E-FLY WIRELESS DMX SET UP



BEFORE SETTING THE WIRELESS CHANNEL ON ANY E-FLY FIXTURE, MAKE SURE THE SOURCE E-FLY WIRELESS DMX TRANSCEIVER DEVICE IS OFF.

TO CONTROL FIXTURE WITH E-FLY WIRELESS DMX SIGNAL

1. Make sure the source **E-FLY** wireless DMX Transceiver device is powered **OFF**.
2. Power **ON** fixture and enable E-FLY in the **E-FLY** sub menu of the **FUNCTION** main menu.
3. Set the **E-FLY** wireless channel (**00-14**) to the same wireless channel of the source **E-FLY** DMX Transceiver in the **Wireless** sub menu of the **FUNCTION** main system menu.

 **Erratic fixture movement may occur if other E-FLY wireless DMX products are in use the same area and are using the same E-FLY wireless channel. The fixture may immediately start to respond to the DMX wireless signal from another E-FLY wireless DMX Transceiver immediately when E-FLY is enabled. Make sure to know what E-FLY wireless channels are being used in the area where fixture is being installed.**

4. Set fixture DMX address in the **Set Dmx Address** sub menu of the **RECEIVE** main system menu.
5. If an **E-FLY** wireless DMX connection has been made with the fixture, the **E-FLY** signal Indicator on the LCD control panel will illuminate green.
6. Repeat this process for all **E-FLY** compatible fixtures in your **E-FLY** wireless network, making sure all fixtures are assigned the same wireless channel (**00-14**).
7. After all fixtures in your **E-FLY** wireless network have been set and powered **ON**, then power **ON** the source **E-FLY™** DMX Transceiver device.

WIRELESS E-FLY INSTALLATION LOCATION GUIDELINES

Wireless DMX signal can penetrate walls, glass, metal, and most objects. However there are many factors that can affect and/or interrupt the wireless DMX signal, one of which is people. Therefore it is highly recommended to position the wireless antenna a minimum of 9.8 ft. (3m) above audiences and/or above ground level. Careful planning and testing of the selected installation location is critical to ensure optimum and reliable wireless DMX operation.

9.8 ft (3m)
Above Ground



DMX CHANNEL FUNCTIONS AND VALUES

ELATION© DARTZ 360™				
DMX Channel Values / Functions (25 DMX Channels)				
Supports Software Versions: ≥ 1.1.5				
Features are subject to change without any prior written notice.				
<i>*Rotation direction (Clockwise or Counterclockwise) of effects depends on orientation of the fixture head and Pan/Tilt settings.</i>				
MODE / CHANNEL			VALUE	FUNCTION
BASIC	STAND	EXTEND		
1	1	1		PAN MOVEMENT [8 BIT]
			000-255	PAN Movement
	2	2		PAN FINE MOVEMENT [16 BIT]
			000-255	Fine Control of PAN Movement
2	3	3		TILT MOVEMENT [8 BIT]
			000-255	TILT Movement
	4	4		TILT MOVEMENT [16 BIT]
			000-255	Fine Control of TILT Movement
3	5	5		PAN CONTINUOUS MOVEMENT
			000-127	NO FUNCTION
			128-189	PAN Clockwise from FAST to SLOW
			190-193	NO Rotation
			194-255	PAN Counter-Clockwise from SLOW to FAST
4	6	6		TILT CONTINUOUS MOVEMENT
			000-127	NO FUNCTION
			128-189	TILT Clockwise from FAST to SLOW
			190-193	NO Rotation
			194-255	TILT Counter-Clockwise from SLOW to FAST
5	7	7		RED
			000-255	Red (0-Black - 255-100%)
		8		RED FINE
			000-255	Red FINE Adjustment
6	8	9		GREEN
			000-255	Green (0-Black - 255-100%)
		10		GREEN FINE
			000-255	Green FINE Adjustment
7	9	11		BLUE
			000-255	Blue (0-Black - 255-100%)
		12		BLUE FINE
			000-255	Blue FINE Adjustment

ELATION® DARTZ 360™
DMX Channel Values / Functions (25 DMX Channels)

Supports Software Versions: ≥ 1.1.5

Features are subject to change without any prior written notice.

**Rotation direction (Clockwise or Counterclockwise) of effects depends on orientation of the fixture head and Pan/Tilt settings.*

MODE / CHANNEL			VALUE	FUNCTION
BASIC	STAND	EXTEND		
8	10	13		FIXED GOBOS
			000-003	OPEN
			004-007	Fixed Gobo 01
			008-011	Fixed Gobo 02
			012-015	Fixed Gobo 03
			016-019	Fixed Gobo 04
			020-023	Fixed Gobo 05
			024-027	Fixed Gobo 06
			028-031	Fixed Gobo 07
			032-035	Fixed Gobo 08
			036-039	Fixed Gobo 09
			040-043	Fixed Gobo 10
			044-047	Fixed Gobo 11
			048-051	Fixed Gobo 12
			052-055	Fixed Gobo 13
			056-059	Fixed Gobo 14
			060-063	OPEN
			064-073	Fixed Gobo 01 Shake SLOW to FAST
			074-083	Fixed Gobo 02 Shake SLOW to FAST
			084-093	Fixed Gobo 03 Shake SLOW to FAST
			094-103	Fixed Gobo 04 Shake SLOW to FAST
			104-113	Fixed Gobo 05 Shake SLOW to FAST
			114-123	Fixed Gobo 06 Shake SLOW to FAST
			124-133	Fixed Gobo 07 Shake SLOW to FAST
			134-143	Fixed Gobo 08 Shake SLOW to FAST
			144-153	Fixed Gobo 09 Shake SLOW to FAST
			154-163	Fixed Gobo 10 Shake SLOW to FAST
			164-173	Fixed Gobo 11 Shake SLOW to FAST
			174-183	Fixed Gobo 12 Shake SLOW to FAST
			184-193	Fixed Gobo 13 Shake SLOW to FAST
			194-203	Fixed Gobo 14 Shake SLOW to FAST
204-211	NO FUNCTION			
212-232	Gobo Wheel Rotation CLOCKWISE SLOW to FAST			
233-234	NO Rotation			
235-255	Gobo Wheel Rotation COUNTER-CLOCKWISE SLOW to FAST			
9	11	14		8-FACET PRISM 1
			000-031	OPEN
			032-255	8-FACET PRISM 1
10	12	15		8-FACET PRISM 1 ROTATION
			000-127	Index Rotation
			128-189	CLOCKWISE Rotation FAST to SLOW
			190-193	NO Rotation
			194-255	COUNTER-CLOCKWISE Rotation SLOW to FAST

ELATION® DARTZ 360™
DMX Channel Values / Functions (25 DMX Channels)

Supports Software Versions: ≥ 1.1.5

Features are subject to change without any prior written notice.

**Rotation direction (Clockwise or Counterclockwise) of effects depends on orientation of the fixture head and Pan/Tilt settings.*

MODE / CHANNEL			VALUE	FUNCTION
BASIC	STAND	EXTEND		
11	13	16		6-FACET PRISM 2
			000-031	OPEN
			032-255	6-FACET PRISM 2
12	14	17		6-FACET PRISM 2 ROTATION
			000-127	Index Rotation
			128-189	CLOCKWISE Rotation FAST to SLOW
			190-193	NO Rotation
			194-255	COUNTER-CLOCKWISE Rotation SLOW to FAST
13	15	18		SHUTTER, STROBE
			000-031	LEDs OFF
			032-063	LEDs ON
			064-095	Strobe Effect SLOW to FAST
			096-127	LEDs ON
			128-159	Pulse Effect In Sequences
			160-191	LEDs ON
			192-223	Random Strobe Effect SLOW to FAST
			224-255	LEDs ON
14	16	19		DIMMER INTENSITY
			000-255	Dimmer 0 to 100%
	17	20		DIMMER INTENSITY FINE
			000-255	Dimmer FINE Adjustment
15	18	21		FOCUS
			000-255	Continuous Adjustment from FAR to NEAR
16	19	22		FROST
			000-225	0-100% Linear Frost
			226-235	Pulse Opening Effect from FAST to SLOW
			236-245	Pulse Closing Effect from SLOW to FAST
			246-255	100% Frost
17	20	23		DIMMER MODES
			000-020	Standard
			201-040	Stage
			041-060	TV
			061-080	Architectural
			081-100	Theatre
18	21	24		PAN / TILT MOVEMENT SPEED
			000-225	MAX to MIN Speed
			226-235	Blackout by Movement
			236-245	NO FUNCTION
			246-255	NO FUNCTION

ELATION® DARTZ 360™
DMX Channel Values / Functions (25 DMX Channels)

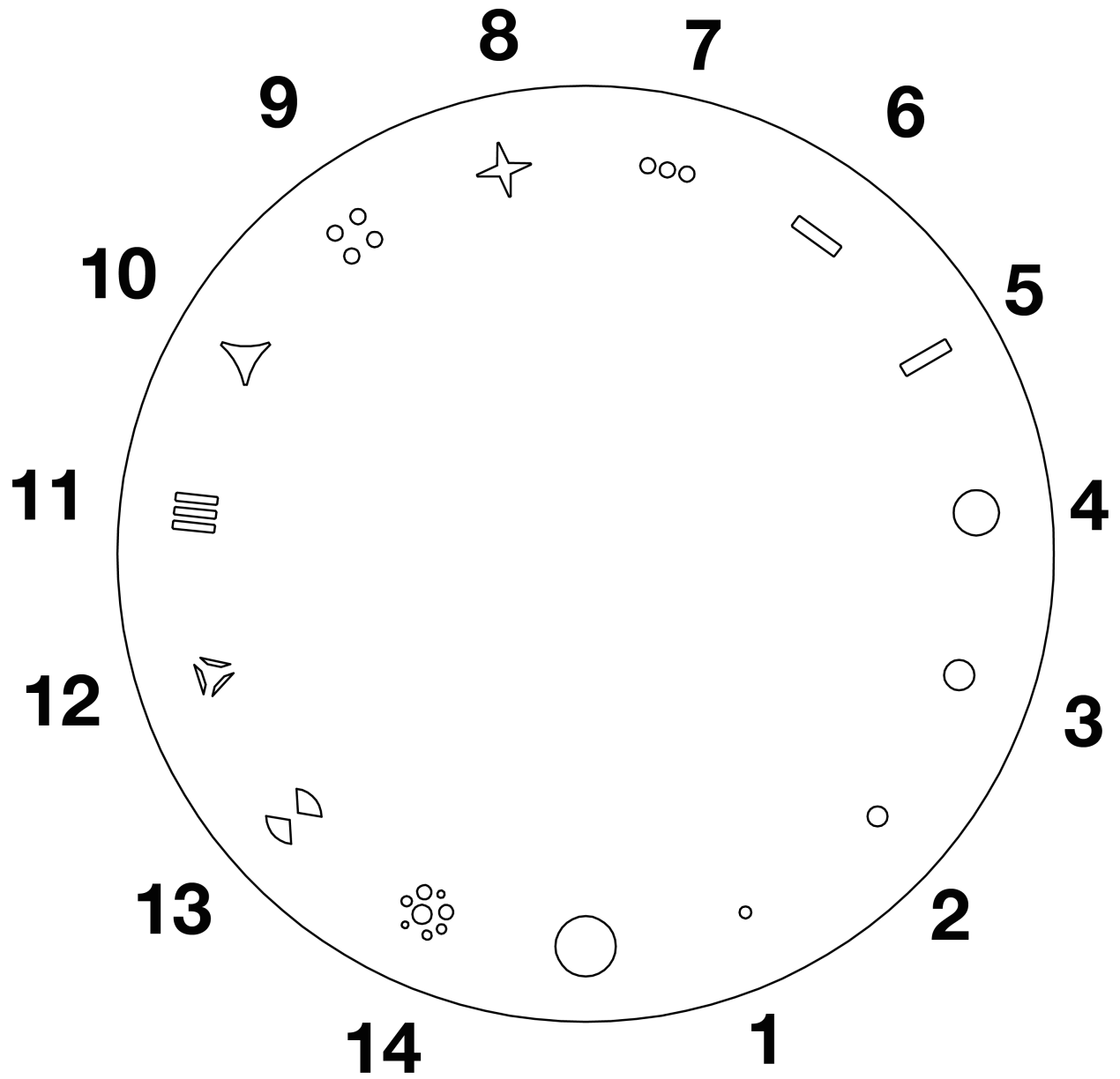
Supports Software Versions: ≥ 1.1.5

Features are subject to change without any prior written notice.

**Rotation direction (Clockwise or Counterclockwise) of effects depends on orientation of the fixture head and Pan/Tilt settings.*

MODE / CHANNEL			VALUE	FUNCTION
BASIC	STAND	EXTEND		
19	22	25		SPECIAL FUNCTIONS / INTERNAL PROGRAMS
			000-019	NO FUNCTION
			020-029	NO FUNCTION
			030-039	NO FUNCTION
			040-059	NO FUNCTION
			060-069	NO FUNCTION
			070-079	PAN & TILT MOTORS RESET
			080-089	ALL MOTORS RESET
			090-099	NO FUNCTION
			100-119	Internal Program 1 (Scene1-8)
			120-139	Internal Program 2 (Scene 9-16)
			140-159	Internal Program 3 (Scene 17-24)
			160-179	Internal Program 4 (Scene 25-32)
			180-199	Internal Program 5 (Scene 33-40)
			200-219	Internal Program 6 (Scene 41-48)
			220-239	Internal Program 7 (Scene 49-56)
			240-255	NO FUNCTION

GOBO WHEEL



ERROR CODES

Error Codes are subject to change without any prior written notice.	
ERROR CODE	DESCRIPTION
PAN	The PAN movement is not located in the default position after the reset. This message will appear after a fixture reset if the magnetic-indexing circuit malfunctions (sensor failed or magnet is missing) or there is a motor failure (defective motor or a defective motor IC drive on the main PCB). This error may also be displayed if the head/yoke was blocked during a reset function.
TILT	The TILT movement is not located in the default position after the reset. This message will appear after a fixture reset if the magnetic-indexing circuit malfunctions (sensor failed or magnet is missing) or there is a motor failure (defective motor or defective motor IC drive on main PCB). This error may also be displayed if the head was blocked during a reset function.
CMY	The CMY movement is not located in the default position after the reset. This message will appear after a fixture reset if the magnetic-indexing circuit malfunctions (sensor failed or magnet is missing) or there is a motor failure (defective motor or defective motor IC drive on main PCB).
CTO	The CTO movement is not located in the default position after the reset. This message will appear after a fixture reset if the magnetic-indexing circuit malfunctions (sensor failed or magnet is missing) or there is a motor failure (defective motor or defective motor IC drive on main PCB).
COLOR	The COLOR wheel movement is not located in the default position after the reset. This message will appear after a fixture reset if the magnetic-indexing circuit malfunctions (sensor failed or magnet is missing) or there is a motor failure (defective motor or defective motor IC drive on main PCB).
GOBO	The GOBO1 wheel movement is not located in the default position after the reset. This message will appear after a fixture reset if the magnetic-indexing circuit malfunctions (sensor failed or magnet is missing) or there is a motor failure (defective motor or defective motor IC drive on main PCB).
GOBO_R	The GOBO1_R movement is not located in the default position after the reset. This message will appear after a fixture reset if the magnetic-indexing circuit malfunctions (sensor failed or magnet is missing) or there is a motor failure (defective motor or defective motor IC drive on main PCB).
GOBO2	The GOBO2 wheel movement is not located in the default position after the reset. This message will appear after a fixture reset if the magnetic-indexing circuit malfunctions (sensor failed or magnet is missing) or there is a motor failure (defective motor or defective motor IC drive on main PCB).
3_PRISM	The 3 PRISM wheel movement is not located in the default position after the reset. This message will appear after a fixture reset if the magnetic-indexing circuit malfunctions (sensor failed or magnet is missing) or there is a motor failure (defective motor or defective motor IC drive on main PCB).
3_Prism1Rot	The 3 Prism1Rot movement is not located in the default position after the reset. This message will appear after a fixture reset if the magnetic-indexing circuit malfunctions (sensor failed or magnet is missing) or there is a motor failure (defective motor or defective motor IC drive on main PCB).
Line_PRISM	The Line_PRISM wheel movement is not located in the default position after the reset. This message will appear after a fixture reset if the magnetic-indexing circuit malfunctions (sensor failed or magnet is missing) or there is a motor failure (defective motor or defective motor IC drive on main PCB).
Line_Prism1Rot	The Line_Prism1Rot movement is not located in the default position after the reset. This message will appear after a fixture reset if the magnetic-indexing circuit malfunctions (sensor failed or magnet is missing) or there is a motor failure (defective motor or defective motor IC drive on main PCB).
FOCUS	The FOCUS movement is not located in the default position after the reset. This message will appear after the reset of the fixture reset if the magnetic-indexing circuit malfunctions (sensor failed or magnet is missing) or there is a stepper motor failure (defective motor or defective motor IC drive on main PCB).

CLEANING AND MAINTENANCE



C A U T I O N

Disconnect power before cleaning or maintenance.

CLEANING

Frequent cleaning is recommended to insure proper function, optimized light output, and an extended life. The frequency of cleaning depends on the environment in which the fixture operates: damp, smoky or particularly dirty environments can cause greater accumulation of dirt on the fixture's optics.

- Clean the external lens surface at least every 20 days with a soft cloth to avoid dirt/debris accumulation. NEVER use alcohol, solvents, or ammonia based cleaners.

MAINTENANCE

Regular inspections are recommended to insure proper function and extended life.

There are no user serviceable parts inside this fixture, please refer all other service issues to an authorized Elation service technician. Should you need any spare parts, please order genuine parts from your local Elation dealer.

Please refer to the following points during routine inspections:

- A detailed electric check by an approved electrical engineer every three months, to make sure the circuit contacts are in good condition and prevent overheating.
- Be sure all screws and fasteners are securely tightened at all times. Loose screws may fall out during normal operation resulting in damage or injury as larger parts could fall.
- Check for any deformations on the housing, color lenses, rigging hardware and rigging points (ceiling, suspension, trussing). Deformations in the housing could allow for dust to enter into the fixture. Damaged rigging points or unsecured rigging could cause the fixture to fall and seriously injure a person(s).
- Electric power supply cables must not show any damage, material fatigue or sediments. Never remove the ground prong from the power cable.

TECHNICAL SPECIFICATIONS

SOURCE

50W RGB ED Engine

50,000 Hour Average LED Life*

*May vary depending on several factors including but not limited to:

Environmental Conditions, Power/Voltage, Usage Patterns (On-Off Cycling), Control, and Dimming.

EFFECTS

Motorized Focus

6 and 8 Facet Independent Rotating Prisms

0-100% Linear Frost Filter

High Speed Electronic Shutter and Strobe

16-Bit Variable Dimming Curve Modes

Variable LED Refresh Rate and Gamma Brightness

COLOR

RGB Color Mixing

GOBOS

(14) Static-Stamped Gobos

CONTROL / CONNECTIONS

(3) DMX Channel Modes (19 / 22 / 25)

6 Button Touch Control Panel

Full Color 180° Reversible LCD Menu Display

8 / 16 Bit Resolution Adjustable Movement

DMX, RDM (Remote Device Management), Kling-Net, Art-NET, and sACN Protocol Support

Elation E-FLY™ Internal Wireless DMX Transceiver

5pin DMX In/Out

RJ45 Ethernet In/Out (Art-NET)

Power Cable In/Out

SIZE / WEIGHT

Length: 11.2" (284.15mm)

Width: 7.7" (195.97mm)

Vertical Height: 17.9" (454.7mm)

Weight: 28.0 lbs. (12.7 kg)

ELECTRICAL / THERMAL

AC 100-240V - 50/60Hz

154W Max Power Consumption

14°F to 113°F (-10°C to 45°C)

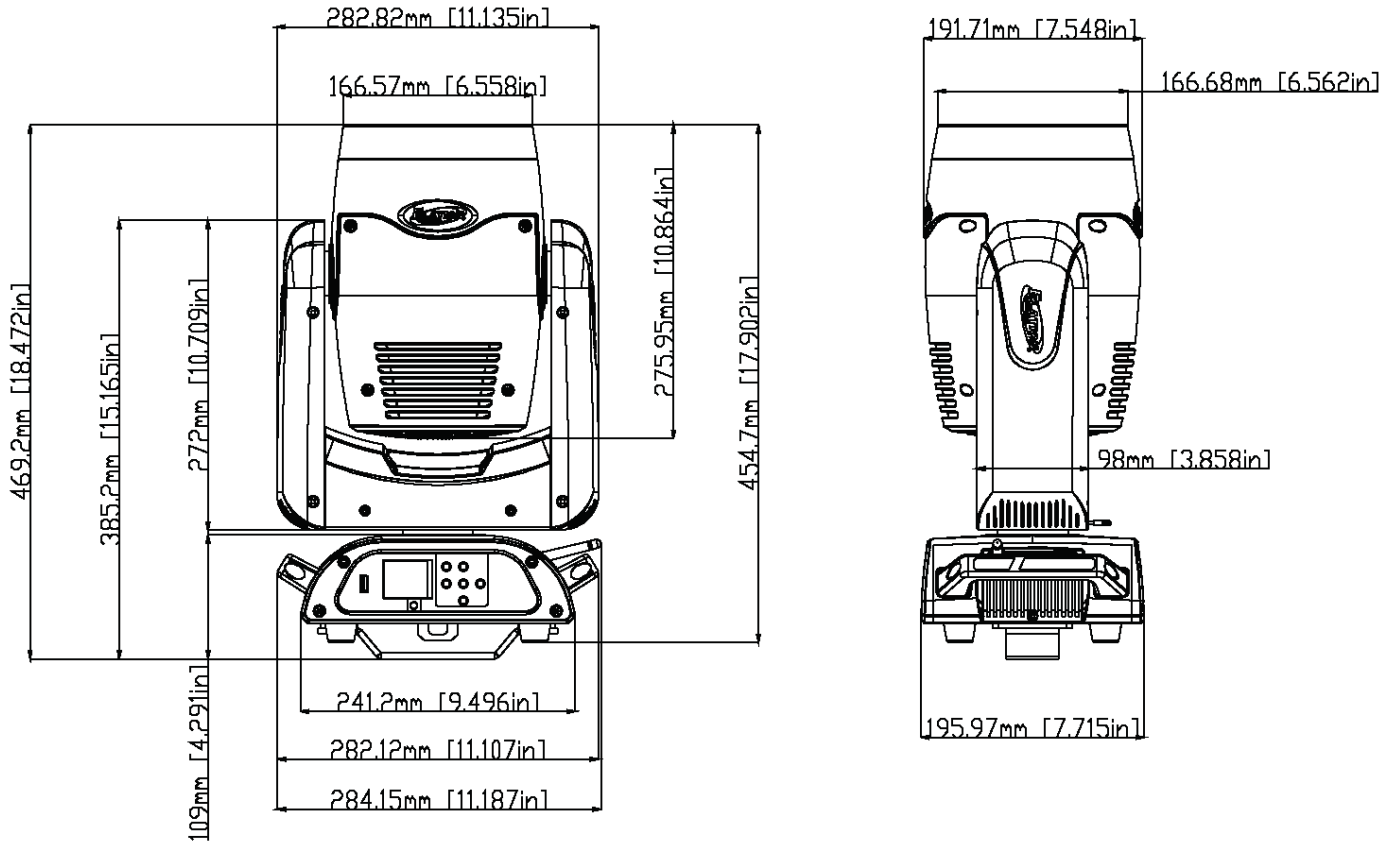
BTU/hr (+/- 10%) 525.14

APPROVALS / RATINGS



Please Note: Specifications and improvements in the design of this unit and this manual are subject to change without any prior written notice.

DIMENSIONAL DRAWINGS



Please Note: Specifications and improvements in the design of this unit and this manual are subject to change without any prior written notice.

OPTIONAL ACCESSORIES

ORDER CODE	ITEM
QUICK RIG CLAMP	Low Profile Quick Release Clamp
DRCDARTZ360	6-Pack Road Case For DARTZ 360
ELF001	E-FLY Wireless DMX Transceiver
AC5PDMX5PRO	5 ft. (1.5m) 5pin PRO DMX Cable
CAT6PRO5	5 ft. (1.5m) CAT6 Ethernet Cable
NEU088	3 ft. (1m) Power Link Cable
	Additional Cable Lengths Available

