

# CUEPIX PANEL™

user manual

©2014 **ELATION PROFESSIONAL** all rights reserved. Information, specifications, diagrams, images, and instructions herein are subject to change without notice. ELATION PROFESSIONAL logo and identifying product names and numbers herein are trademarks of ELATION PROFESSIONAL. Copyright protection claimed includes all forms and matters of copyrightable materials and information now allowed by statutory or judicial law or hereinafter granted. Product names used in this document may be trademarks or registered trademarks of their respective companies and are hereby acknowledged. All non-ELATION brands and product names are trademarks or registered trademarks of their respective companies.

**ELATION PROFESSIONAL** and all affiliated companies hereby disclaim any and all liabilities for property, equipment, building, and electrical damages, injuries to any persons, and direct or indirect economic loss associated with the use or reliance of any information contained within this document, and/or as a result of the improper, unsafe, insufficient and negligent assembly, installation, rigging, and operation of this product.

**Elation Professional USA** | 6122 S. Eastern Ave. | Los Angeles, CA. 90040  
323-582-3322 | 323-832-9142 fax | [www.elationlighting.com](http://www.elationlighting.com) | [info@elationlighting.com](mailto:info@elationlighting.com)

**Elation Professional B.V.** | Junostraat 2 | 6468 EW Kerkrade, Netherlands  
+31 45 546 85 66 | +31 45 546 85 96 fax | [www.elationlighting.eu](http://www.elationlighting.eu) | [info@elationlighting.eu](mailto:info@elationlighting.eu)

## DOCUMENT VERSION



Please check [www.elationlighting.com](http://www.elationlighting.com) for the latest revision/update of this manual.

Date	Document Version	Software Version	DMX Channel Modes	Notes
2013	1	≥1.04	3/6/7/75/79	Initial release.
08/15/17	1.2	N/C	N/C	Updated Pixel Flip 4 diagram.

## CONTENTS

General Information	4
Warranty	6
Safety Instructions	7
General Guidelines	8
Fixture Overview	9
Fixture Installation	10
Understanding DMX	13
Fixture Menu	17
DMX Channel Functions And Values	22
Cleaning and Maintenance	27
Technical Specifications	28
Optional Accessories	31

## GENERAL INFORMATION

### INTRODUCTION

Congratulations, you have just purchased one of the most innovative and reliable lighting fixtures on the market today! The **CUEPIX PANEL™** has been designed to perform reliably for years when the guidelines in this booklet are followed. Please read and understand the instructions in this manual carefully and thoroughly before attempting to operate this unit. These instructions contain important information regarding safety during use and maintenance.

### UNPACKING

Thank you for purchasing the **CUEPIX PANEL™** by Elation Professional®. Every **CUEPIX PANEL™** has been thoroughly tested and has been shipped in perfect operating condition. Carefully check the shipping carton for damage that may have occurred during shipping. If the carton appears to be damaged, carefully inspect your unit for damage and be sure all accessories necessary to operate the unit have arrived intact. In the event damage has been found or parts are missing, please contact our customer support team for further instructions. Please do not return this unit to your dealer without first contacting customer support at the number listed below. Please do not discard the shipping carton in the trash. Please recycle whenever possible.

### BOX CONTENTS

- (1) Power Cable
- Manual & Warranty Card

## CUSTOMER SUPPORT

Elation Professional® provides a customer support line, to provide set up help and to answer any question should you encounter problems during your set up or initial operation. You may also visit us on the web at [www.elationlighting.com](http://www.elationlighting.com) for any comments or suggestions. For service related issue please contact Elation Professional®.

### **ELATION SERVICE USA - Monday - Friday 8:00am to 5:00pm PST**

**Voice: 323-582-3322**

**Fax: 323-832-9142**

E-mail: [support@elationlighting.com](mailto:support@elationlighting.com)

### **ELATION SERVICE EUROPE - Monday - Friday 08:30 to 17:00 CET**

**Voice: +31 45 546 85 30**

**Fax: +31 45 546 85 96**

E-mail: [support@elationlighting.eu](mailto:support@elationlighting.eu)

## WARRANTY REGISTRATION

The **CUEPIX PANEL™** carries a two-year (730 days) limited warranty. Please fill out the enclosed warranty card to validate your purchase. All returned service items whether under warranty or not, must be freight pre-paid and accompany a return authorization (R.A.) number. The R.A. number must be clearly written on the outside of the return package. A brief description of the problem as well as the R.A. number must also be written down on a piece of paper and included in the shipping container. If the unit is under warranty, you must provide a copy of your proof of purchase invoice. Items returned without a R.A. number clearly marked on the outside of the package will be refused and returned at customer's expense. You may obtain a R.A. number by contacting customer support.



## **IMPORTANT NOTICE!**

**There are no user serviceable parts inside this unit. Do not attempt any repairs yourself; doing so will void your manufactures warranty. Damages resulting from modifications to this fixture and/or the disregard of safety and general user instructions found in this user manual void the manufactures warranty and are not subject to any warranty claims and/or repairs.**

## 2 - YEAR LIMITED WARRANTY

- A. Elation Professional® hereby warrants, to the original purchaser, Elation Professional® products to be free of manufacturing defects in material and workmanship for a period of two years, (730 days) from the date of purchase. This warranty shall be valid only if the product is purchased within the United States of America, including possessions and territories. It is the owner's responsibility to establish the date and place of purchase by acceptable evidence, at the time service is sought.
- B. For warranty service, send the product only to the Elation Professional® factory. All shipping charges must be pre-paid. If the requested repairs or service (including parts replacement) are within the terms of this warranty, Elation Professional® will pay return shipping charges only to a designated point within the United States. If the entire instrument is sent, it must be shipped in its original package. No accessories should be shipped with the product. If any accessories are shipped with the product, Elation Professional® shall have no liability what so ever for loss of or damage to any such accessories, nor for the safe return thereof.
- C. This warranty is void if the serial number has been altered or removed; if the product is modified in any manner which Elation Professional® concludes, after inspection, affects the reliability of the product; if the product has been repaired or serviced by anyone other than the Elation Professional® factory unless prior written authorization was issued to purchaser by Elation Professional®; if the product is damaged because not properly maintained as set forth in the instruction manual.
- D. This is not a service contract, and this warranty does not include maintenance, cleaning or periodic check-up. During the period specified above, Elation Professional® will replace defective parts at its expense, and will absorb all expenses for warranty service and repair labor by reason of defects in material or workmanship. The sole responsibility of Elation Professional® under this warranty shall be limited to the repair of the product, or replacement thereof, including parts, at the sole discretion of Elation Professional®. All products covered by this warranty were manufactured after January 1, 1990, and bare identifying marks to that effect.
- E. Elation Professional® reserves the right to make changes in design and/or improvements upon its products without any obligation to include these changes in any products theretofore manufactured.
- F. No warranty, whether expressed or implied, is given or made with respect to any accessory supplied with products described above. Except to the extent prohibited by applicable law, all implied warranties made by Elation Professional® in connection with this product, including warranties of merchantability or fitness, are limited in duration to the warranty period set forth above. And no warranties, whether expressed or implied, including warranties of merchantability or fitness, shall apply to this product after said period has expired. The consumer's and or Dealer's sole remedy shall be such repair or replacement as is expressly provided above; and under no circumstances shall Elation Professional® be liable for any loss or damage, direct or consequential, arising out of the use of, or inability to use, this product.
- G. This warranty is the only written warranty applicable to Elation Professional® Products and supersedes all prior warranties and written descriptions of warranty terms and conditions heretofore published.

## SAFETY INSTRUCTIONS



The **CUEPIX PANEL™** is an extremely sophisticated piece of electronic equipment. To guarantee a smooth operation, it is important to follow the guidelines in this manual. The manufacturer of this device will not accept responsibility for damages resulting from the misuse of this fixture due to the disregard of the information printed in this manual.



This device falls under **PROTECTION CLASS 1**. It's essential this device be grounded properly. Only qualified personnel should perform all electrical connections.



**KEEP THIS FIXTURE AWAY FROM RAIN AND MOISTURE!**



**UNPLUG POWER BEFORE SERVICING FIXTURE**



**NEVER TOUCH FIXTURE DURING OPERATION AS IT MAY BE HOT**



**NEVER LOOK DIRECTLY INTO THE LIGHT SOURCE  
SENSITIVE PERSONS MAY SUFFER AN EPILEPTIC SHOCK**

- For proper operation, follow the **Installation** guidelines described in this manual. Only qualified and certified personnel should perform installation of this fixture and only the original rigging parts (brackets) included with this fixture should be used for installation. Any modifications will void the original manufacturer's warranty and increase the risk of damage and/or personal injury.
- Never look directly into the light source of this fixture to prevent risk of injury to your retina, which may induce blindness. Those suffering from **EPILEPSY** should avoid looking directly into the light source of this unit at all times.
- The fan and air inlets must remain clean and never blocked. Allow approx. 6" (15cm) between this fixture and other devices or a wall for proper cooling.
- Always disconnect from main power source before performing any type of service and/or cleaning procedure. Only handle the power cord by the plug end, never pull out the plug by tugging the wire portion of the cord.
- Do not operate this fixture if the power cord has become frayed, crimped and/or damaged. If the power cord is damaged, replace it immediately with a new one of similar power rating.

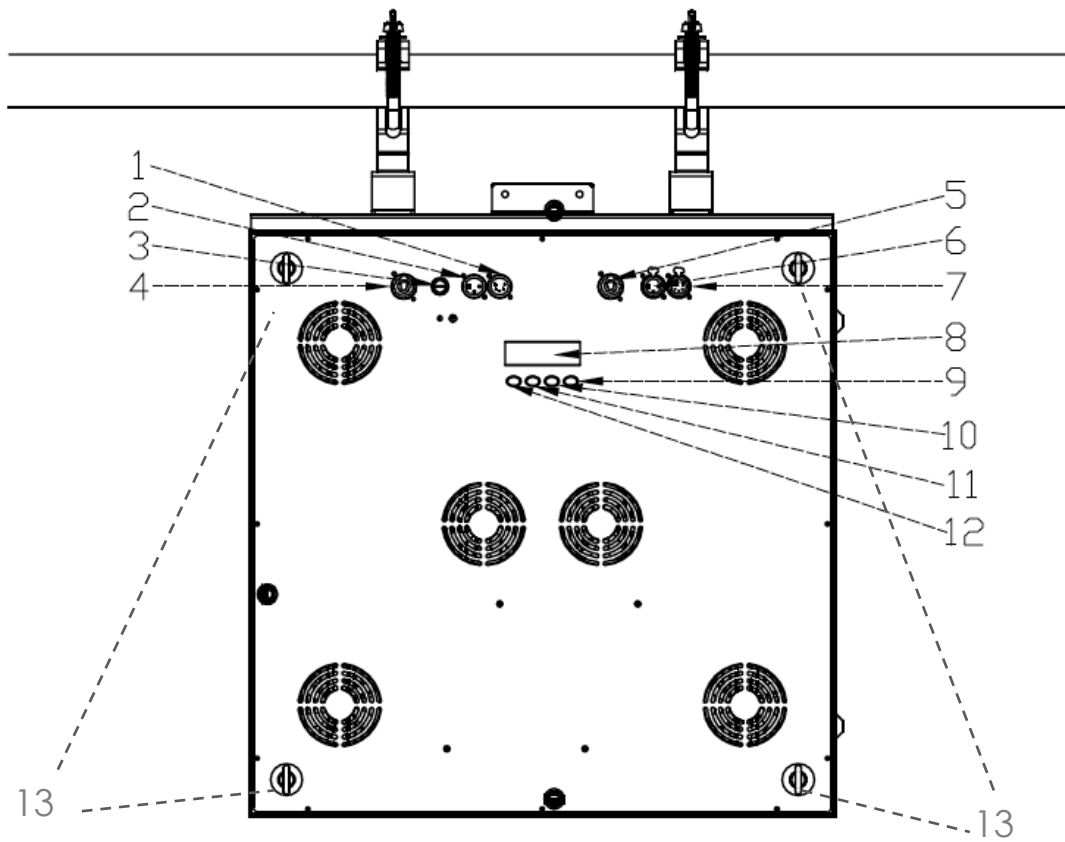
## GENERAL GUIDELINES

- **NEVER OPEN THIS FIXTURE WHILE IN USE!**
- During the initial operation of this fixture, a light smoke or smell may emit from the interior of the fixture. This is a normal process and is caused by excess paint in the interior of the casing burning off from the heat associated with the lamp and will decrease gradually over time.
- This fixture is a professional lighting effect designed for **INDOOR / DRY LOCATIONS ONLY** on stage, in nightclubs, theatres, etc.
- Please make sure there are **NO FLAMMABLE MATERIALS** close to the fixture while operating, to prevent any fire hazard.
- The fixture must be installed in a location with adequate ventilation, at least 1.5 feet (.5m) from adjacent surfaces. Be sure no air ventilation slots are blocked.
- **DO NOT** attempt installation and/or operation without knowledge how to do so.
- **DO NOT** permit operation by persons who are not qualified to operate this type of fixture. Most damages are the result of operations by nonprofessionals.
- Consistent operational breaks may ensure the fixture will function properly for many years to come.
- **DO NOT** shake fixture, avoid brute force when installing and/or operating fixture.
- Always install the fixture with an appropriate safety cable. When installing the fixture in a suspended environment, always use mounting hardware that is no less than M10 x 25 mm, also be sure the hardware is insert in the pre-arranged screw holes in the bracket of the fixture.
- Use the original packaging and materials to transport the fixture in for service.
- **DO NOT TOUCH** the housing bare-hand during its operation. Turn OFF the power and allow approximately 15 minutes for the fixture to cool down before replacing or serving.



# FIXTURE OVERVIEW

NOTE: Image shown with optional Rigging Bar accessory.



1. 5pin DMX IN
2. 3pin DMX IN
3. Fuse
4. power IN
5. power OUT
6. 3pin DMX OUT
7. 5pin DMX OUT
8. LCD Menu Control Display
9. ENTER Button
10. DOWN Button
11. UP Button
12. MODE/ESC Button
13. Safety Cable Rigging Points

## FIXTURE INSTALLATION



### FLAMMABLE MATERIAL WARNING

Keep fixture at least 5.0 ft. (1.5m) away from any flammable materials, decorations, pyrotechnics, etc.



### ELECTRICAL CONNECTIONS

A qualified electrician should be used for all electrical connections and/or installations.



### CAUTIONS

- For added protection, mount the fixture in areas outside walking paths, seating areas, or in areas where unauthorized personnel might reach the fixture.
- Ambient operating temperature range for this fixture is **14°F to 113°F (-10°C to 45°C)**. Do not use the fixture under or above this temperature.
- Before mounting the fixture to any surface, make sure the installation area can hold a minimum point load of 10 times the weight of the fixture. **(364 lbs / 165 kg)**
- Fixture installation must always be secured with a secondary safety attachment, such as an appropriate safety cable.
- Never stand directly below the device when mounting, removing or servicing.



### POWER LINKING

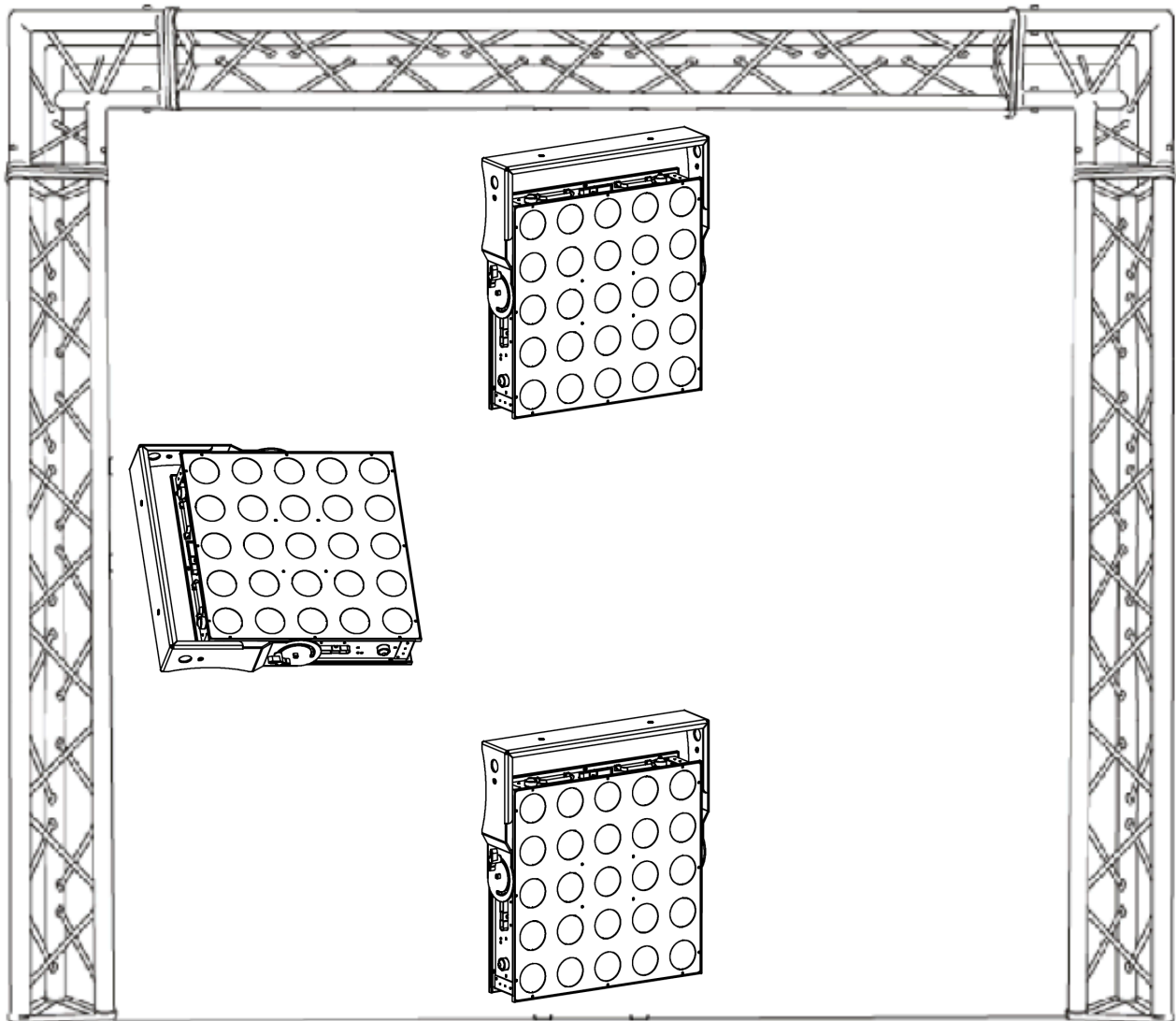
Max number of units that can be power linked is **2 units @120V** and **4 units @220V**.

### CLAMP MOUNTING

The **CUEPIX PANEL™** provides an integrated yoke bracket. When mounting this fixture to truss be sure to secure an appropriately rated clamps to the yoke/rigging bracket using a M10 screw fitted through the center hole.

## MOUNTING POINTS

- Overhead mounting requires extensive experience, including amongst others calculating working load limits, installation material being used, and periodic safety inspection of all installation material and the device. If you lack these qualifications, do not attempt the installation yourself. Improper installation can result in bodily injury.
- Fixture is fully operational in the specific mounting positions as illustrated below.



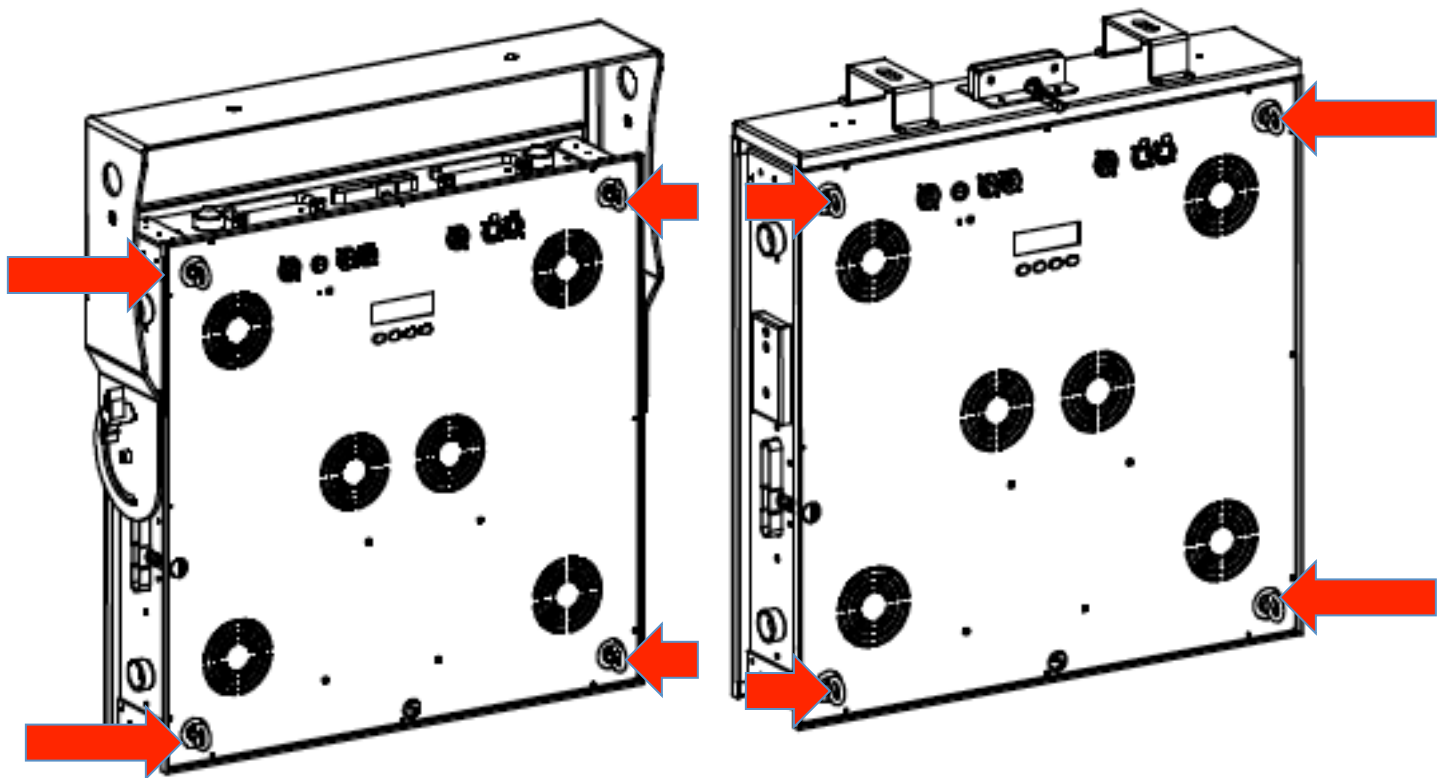
## SAFETY CABLE

**Always use a Safety Cable whenever installing this fixture in a suspended environment to ensure the fixture will not drop if the clamp fails.**

## SECURING

Regardless of the rigging option you choose for your **CUEPIX PANEL™** always be sure to secure your fixture with a safety cable. The fixture provides a built-in rigging point for a safety cable on the base of the unit as illustrated below. Be sure to only use this designated rigging point to attach the safety cable.

### SAFETY CABLE RIGGING POINTS



Integrated Yoke Bracket

Optional Rigging Bar

## UNDERSTANDING DMX

### DMX-512

DMX is short for Digital Multiplex. This is a universal protocol used by most lighting and controller manufactures as a form of communication between intelligent fixtures and controllers. DMX allows all makes and models of different manufactures to be linked together and operate from a single controller. This is possible as long as all the fixtures and the controller are DMX compliant. A DMX controller sends the DMX data instructions to the fixture allowing the user to control the different aspects of an intelligent light. DMX data is sent out as serial data that travels from fixture to fixture via data "IN" and data "OUT" XLR terminals located on the fixtures (most controllers will only have output jacks).

### DMX LINKING

To ensure proper DMX data transmission, always use proper DMX cables and a terminator. When using several DMX fixtures try to use the shortest cable path possible. Never split a DMX line with a "Y" style connector. The order in which the fixtures are connected in a DMX line does not influence the DMX addressing. For example; a fixture assigned a starting DMX address of 1 may be placed anywhere in the DMX chain, at the beginning, at the end, or anywhere in the middle. The DMX controller knows to send data assigned to address 1 to that fixture no matter where it is located in the DMX chain. The **CUEPIX PANEL™** can be controlled via DMX-512 protocol and the DMX address is set via the control menu.

### DATA CABLE (DMX Cable) REQUIREMENTS (For DMX and Primary/Secondary

**Operation)** Your fixture and your DMX controller require a standard 3pin or 5pin XLR connector for data input and data output (see figure below). If you are making your own cables, be sure to use two conductor, shielded digital DMX cable rated at 120 ohms; this cable is designed for DMX transmission and may be purchased from your Elation dealer or at most professional lighting retailers. Your cables should be made with a male and female XLR connector on either end of the cable. Also, remember that a DMX line must be daisy chained and cannot be split, unless using an approved DMX splitter such as **Elation's Opto Branch 4™, Opto Branch 8™, or DMX-Branch/4™**.

DMX Output  
3-Pin XLR Socket



DMX Input  
3-Pin XLR Socket

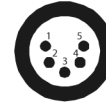


- 1: Ground
- 2: Data (-)
- 3: Data (+)


DMX Output  
5-Pin XLR Socket



DMX Input  
5-Pin XLR Socket



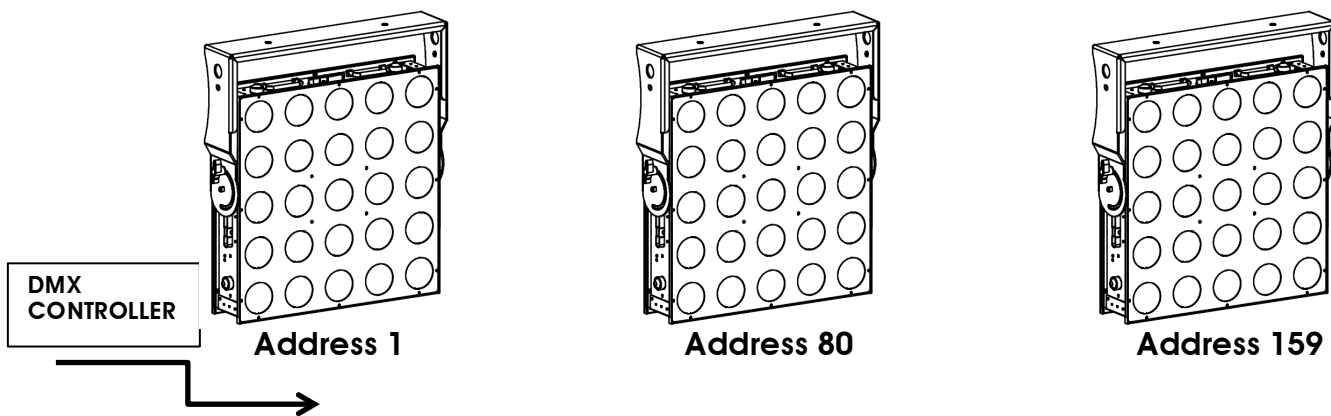
- 1: Ground
- 2: Data (-)
- 3: Data (+)
- 4: Open
- 5: Open



**Be sure to follow the above figure when making your own cables. Do not use the ground lug on the XLR connector. Do not connect the cable's shield conductor to the ground lug or allow the shield conductor to come in contact with the XLR outer casing. Grounding the shield could cause a short circuit and erratic behavior.**

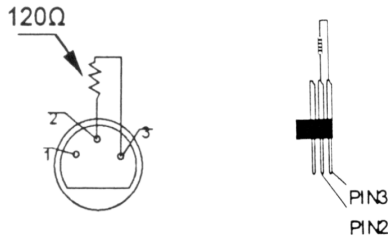
### DMX-512 CONTROLLER CONNECTION

Connect the provided XLR cable to the female XLR output of your controller and the other side to the male XLR input of the **CUEPIX PANEL™**. The diagram below illustrates a typical DMX-512 connection when the fixture is in the **79 Channel Mode**. You can chain multiple panels together through serial linking. The cable that should be used is two conductor, shielded DMX cable with XLR input and output connectors. Always be sure daisy chain your in and out data connections, never split or "Y" your DMX connections unless you are using an approved DMX splitter such as **Elation's Opto Branch 4™, Opto Branch 8™, or DMX-Branch/4™**.



### DMX-512 CONNECTION WITH DMX TERMINATOR

A DMX terminator should be used in all DMX lines especially in longer runs. The use of a terminator may avoid erratic behavior in your DMX line. A terminator is a 120 ohm 1/4 watt resistor that is connected between pins 2 and 3 of a male XLR connector (DATA + and DATA -). This fixture is inserted in the female XLR connector of the last fixture in your daisy chain to terminate the line. Using a line terminator will decrease the possibilities of erratic behavior.



Termination reduces signal errors and avoids signal transmission problems and interference. It is always advisable to connect a DMX terminal, (Resistance 120 Ohm 1/4 W) between PIN 2 (DMX-) and PIN 3 (DMX +) of the last fixture.

### 5pin XLR DMX CONNECTORS

Some manufactures use 5pin XLR connectors for DATA transmission in place of 3pin. 5pin XLR fixtures may be implemented in a 3pin XLR DMX line. When inserting standard 5pin XLR connectors in to a 3pin line a cable adaptor must be used, these adaptors are readily available at most electric stores. The following chart details a proper cable conversion.

3-Pin XLR to 5-Pin XLR Conversion		
Conductor	3-Pin XLR Female (Out)	5-Pin XLR Male (In)
Ground/Shield	Pin 1	Pin 1
Data Compliment (- signal)	Pin 2	Pin 2
Data True (+ signal)	Pin 3	Pin 3
Not Used		Pin 4 - Do Not Use
Not Used		Pin 5 - Do Not Use

## DMX ADDRESSING

All fixtures should be given a DMX starting address when using a DMX controller, so the correct fixture responds to the correct control signal. This digital starting address is the channel number from which the fixture starts to “listen” to the digital control information sent out from the DMX controller. The allocation of this starting DMX address is achieved by setting the correct DMX address on the digital display located on the back of the fixture.

You can set the same starting address for all fixtures or a group of fixtures, or set different address for each individual fixture. Be advised that setting all fixtures to the same DMX address will subsequently control all fixtures in the same fashion, in other words, changing the settings of one channel will affect all the fixtures simultaneously.

If you set each fixture to a different DMX address, each unit will start to “listen” to the channel number you have set, based on the quantity of control channels (DMX channels) of each fixture. That means changing the settings of one channel will only affect the selected fixture.

In the case of the **CUEPIX PANEL™**, when in the **79 Channel Mode** you should set the starting DMX address of the first unit to 1, the second unit to 80 (1 + 79), the third unit to 159 (80 + 79), and so on.

**Note:** During start-up the **CUEPIX PANEL™** will automatically detect whether a DMX data signal is being received or not. If the fixture is not receiving a DMX signal please check the following:

- The 3pin or 5pin XLR input plug (cable with DMX signal from controller) is not connected or is not inserted completely into the DMX input jack of the fixture.
- The DMX controller is switched off or defective.
- The DMX cable or connector is defective.
- A DMX terminator has been inserted into the last fixture in your DMX chain.




# FIXTURE MENU

## ON-BOARD SYSTEM MENU

The **CUEPIX PANEL™** comes with an easy to navigate system menu. The next section will detail the functions of each command in the system menu.

## LCD MENU CONTROL PANEL

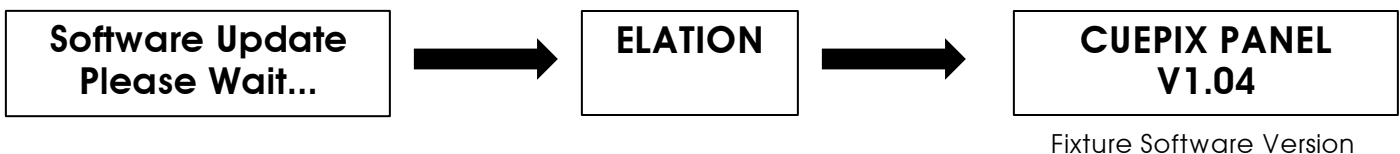
The control panel (see image below) located on the top of the fixture allows you to access the main menu and make all necessary adjustments to the **CUEPIX PANEL™**. During normal operation, pressing **MODE** button once will access the fixture's main menu. Once in the main menu you can navigate through the different functions and access the sub-menus with the **UP**, and **DOWN** buttons. Once you reach a field that requires adjusting, press the **ENTER** button to activate that field and use the **UP** and **DOWN** buttons to adjust the field. Pressing the **ENTER** button once more will confirm your setting. You may exit the main menu at any time without making any adjustments by pressing the **MODE** button.

 **NOTE:** the LCD Menu Control Display will shut OFF and lockout after 30 seconds of no use. Press and hold the **MODE** button for 10 seconds to unlock the LCD display.



## INFORMATION DISPLAYED DURING INITIAL POWER ON

When the fixture is initially powered ON, the display shows the following information:



**ELATION® CUEPIX PANEL™  
SYSTEM MENU**

Specifications are subject to change without any prior written notice.

DMX MODE	DMX 512 mode
DMX MODE ADDR:001 CH:06	DMX Address Setting 001-512 Channel mode (3,4,6,7,8,75,79,80)
SECONDARY MODE	Set unit to secondary Mode
AUTO RUN FQN:01	Set the number of times each internal macro will repeat before moving to the next macro
01. STATIC CL: RGB Flash00	See INTERNAL MACRO MENU 15kinds see sheet 1
Dim Curve Standard	Standard/Stage/TV/Architectural/theatre
Pixel Flip STANDARD	STANDARD, Flip1, Flip 2, Flip3, Flip 4
NO DMX MODE Hold	NO DMX Signal Hold/Blackout/Program
Manual RGB R255 G255 B255	Manual dimming (R000-255 G000-255 B000-255)
Ethernet Set Fixture	Network Setting Fixture ID Service PIN Password=50 Device IP Addr Mask Addr Universe DMX Universe Choice ( The same Universe contains a full DMX 512 signal)
Protocol Set	Protocol Set Kling-Net or Artnet
Network Switch	Network Switch ON/OFF

**ELATION® CUEPIX PANEL™  
INTERNAL MACRO MENU**

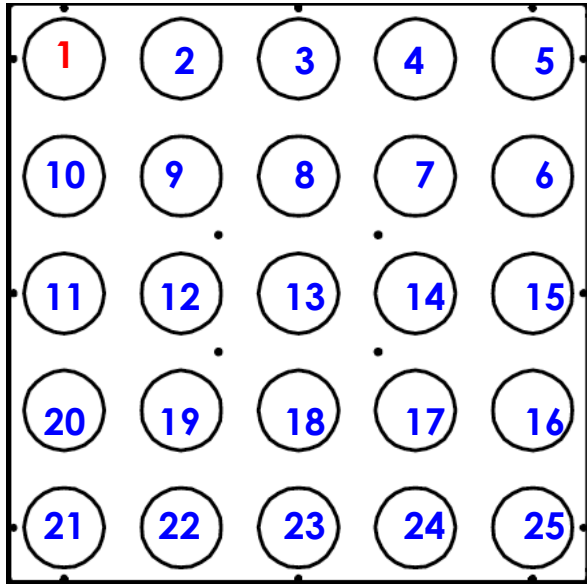
Specifications are subject to change without any prior written notice.

<b>MACRO</b>	<b>OPTIONS / VALUES</b>	<b>DESCRIPTION</b>
01.STATIC	CL:BLAC, R, G, B, RG, GB, RB, RGB Flash00-99	Blackout, Red, Green, Blue, Yellow, Cyan, Purple, White
02.DREAM	Speed00-99 Flash00-99	Seven Color Dreaming Speed & Flash Adjustable
03.METEOR	Speed00-99 Flash00-99	Seven Color Flow Speed & Flash Adjustable
04.FADE	Speed00-99 Flash00-99	Seven Color Fade Speed & Flash Adjustable
05.CHANGE	Speed00-99 Flash00-99	Seven Color Change Speed & Flash Adjustable
06.FLOW 1	Speed00-99 Flash00-99	Seven Color Chase Speed & Flash Adjustable
07.FLOW 2	Speed00-99 Flash00-99	Seven Color Chase Speed & Flash Adjustable
08.FLOW 3	Speed00-99 Flash00-99	Seven Color Chase Speed & Flash Adjustable
09.FLOW 4	Speed00-99 Flash00-99	Seven Color Chase Speed & Flash Adjustable
10.FLOW 5	Speed00-99 Flash00-99	Seven Color Chase Speed & Flash Adjustable
11.FLOW 6	Speed00-99 Flash00-99	Seven Color Digital Number Chase (0-9 then 9-0) Speed & Flash Adjustable
12.FLOW 7	Speed00-99 Flash00-99	Seven Color Chase Speed & Flash Adjustable
13.FLOW 8	Speed00-99 Flash00-99	Seven Color Chase Speed & Flash Adjustable
14.FLOW 9	Speed00-99 Flash00-99	Seven Color Chase Speed & Flash Adjustable
15.FLOW 10	Speed00-99 Flash00-99	Seven Color Chase Speed & Flash Adjustable

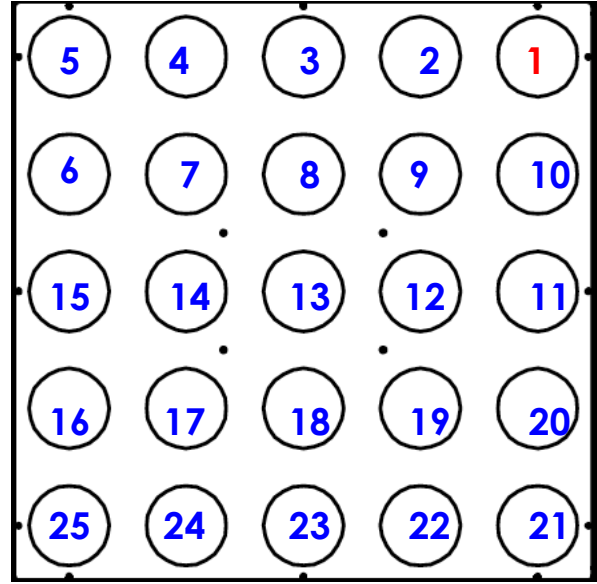
### PIXEL FLIP

Select the desired starting COB module and chase direction from one of the following modes below via **UP/DOWN** buttons and then press **ENTER** to confirm.

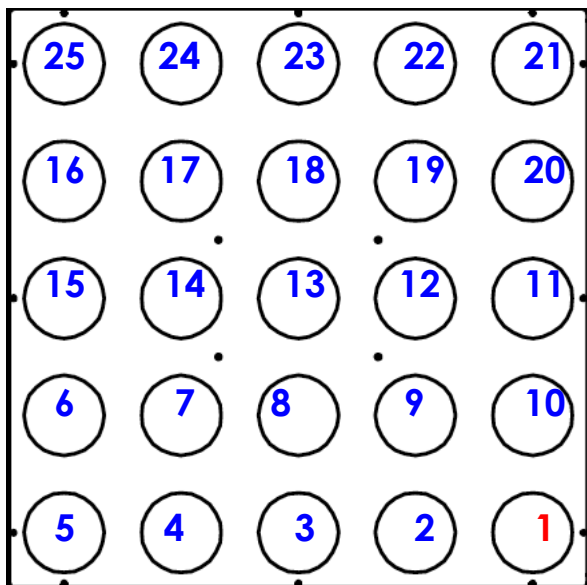
**STANDARD**



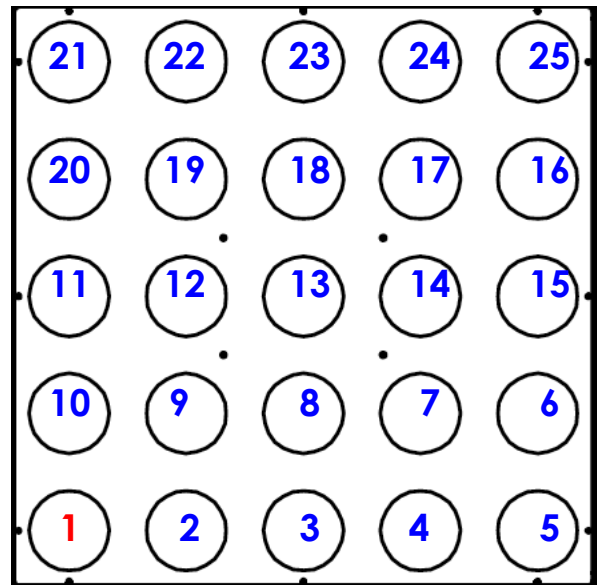
**FLIP 1**



**FLIP 2**

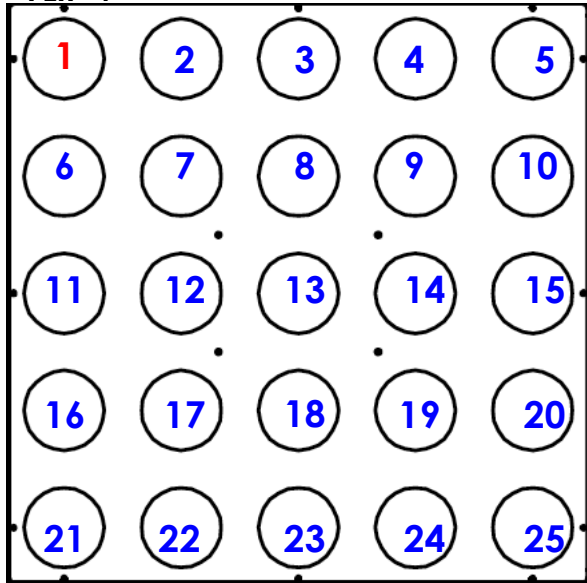


**FLIP 3**



PIXEL FLIP [continued]

**FLIP 4**

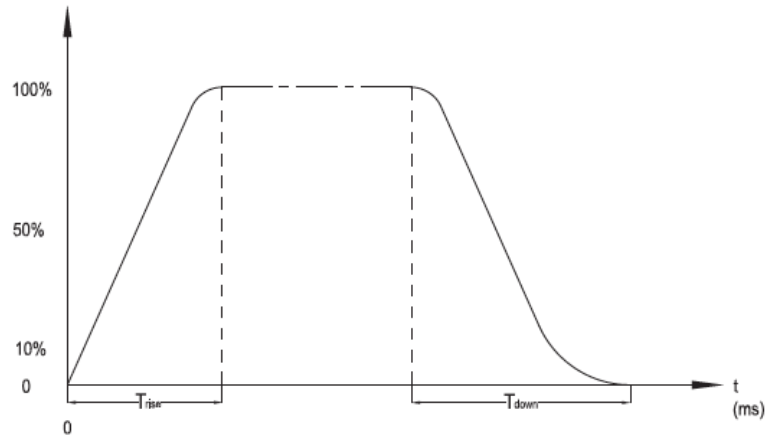


**DIMMING CURVES**

The **DimCurve** menu allows you to select one of the following preset dimming curves: **Standard, Stage, TV, Architectural, Theatre, or Default.**

(See diagram below for more details)

**Dimmer**



Ramp Effect	OS (Fade Time)		1S (Fade Time)	
	$T_{rise}$ (ms)	$T_{down}$ (ms)	$T_{rise}$ (ms)	$T_{down}$ (ms)
Standard	0	0	0	0
Stage	780	1100	1540	1660
TV	1180	1520	1860	1940
Architectural	1380	1730	2040	2120
Theatre	1580	1940	2230	2280

# DMX CHANNEL FUNCTIONS AND VALUES

## ELATION® CUEPIX PANEL™

### DMX Channel Values / Functions (79 DMX Channels)

Specifications are subject to change without any prior written notice.

*\*Control of COB Modules depends on the Flip setting.*

MODE / CHANNEL					VALUE	FUNCTION
3 CH	6 CH	7 CH	75 CH	79 CH		
1	1	1			0-255	RED 0 to 100%
2	2	2			0-255	GREEN 0 to 100%
3	3	3			0-255	BLUE 0 to 100%
	4				0-255	MASTER DIMMER Intensity 0 to 100%
			1	1	0-255	*RED - COB MODULE 1 0 to 100%
			2	2	0-255	*GREEN - COB MODULE 1 0 to 100%
			3	3	0-255	*BLUE - COB MODULE 1 0 to 100%
			4	4	0-255	*RED - COB MODULE 2 0 to 100%
			5	5	0-255	*GREEN - COB MODULE 2 0 to 100%
			6	6	0-255	*BLUE - COB MODULE 2 0 to 100%
			7	7	0-255	*RED - COB MODULE 3 0 to 100%
			8	8	0-255	*GREEN - COB MODULE 3 0 to 100%
			9	9	0-255	*BLUE - COB MODULE 3 0 to 100%
			10	10	0-255	*RED - COB MODULE 4 0 to 100%
			11	11	0-255	*GREEN - COB MODULE 4 0 to 100%
			12	12	0-255	*BLUE - COB MODULE 4 0 to 100%
			13	13	0-255	*RED - COB MODULE 5 0 to 100%
			14	14	0-255	*GREEN - COB MODULE 5 0 to 100%
			15	15	0-255	*BLUE - COB MODULE 5 0 to 100%
			16	16	0-255	*RED - COB MODULE 6 0 to 100%
			17	17	0-255	*BLUE - COB MODULE 6 0 to 100%
			18	18	0-255	*GREEN - COB MODULE 6 0 to 100%

ELATION® CUEPIX PANEL™					
DMX Channel Values / Functions (79 DMX Channels)					
Specifications are subject to change without any prior written notice.					
*Control of COB Modules depends on the Flip setting.					
MODE / CHANNEL					
3 CH	6 CH	7 CH	75 CH	79 CH	
VALUE					
FUNCTION					
			19	19	*RED - COB MODULE 7
				0-255	0 to 100%
			20	20	*BLUE - COB MODULE 7
				0-255	0 to 100%
			21	21	*GREEN - COB MODULE 7
				0-255	0 to 100%
			22	22	*RED - COB MODULE 8
				0-255	0 to 100%
			23	23	*BLUE - COB MODULE 8
				0-255	0 to 100%
			24	24	*GREEN - COB MODULE 8
				0-255	0 to 100%
			25	25	*RED - COB MODULE 9
				0-255	0 to 100%
			26	26	*BLUE - COB MODULE 9
				0-255	0 to 100%
			27	27	*GREEN - COB MODULE 9
				0-255	0 to 100%
			28	28	*RED - COB MODULE 10
				0-255	0 to 100%
			29	29	*BLUE - COB MODULE 10
				0-255	0 to 100%
			30	30	*GREEN - COB MODULE 10
				0-255	0 to 100%
			31	31	*RED - COB MODULE 11
				0-255	0 to 100%
			32	32	*BLUE - COB MODULE 11
				0-255	0 to 100%
			33	33	*GREEN - COB MODULE 11
				0-255	0 to 100%
			34	34	*RED - COB MODULE 12
				0-255	0 to 100%
			35	35	*BLUE - COB MODULE 12
				0-255	0 to 100%
			36	36	*GREEN - COB MODULE 12
				0-255	0 to 100%
			37	37	*RED - COB MODULE 13
				0-255	0 to 100%
			38	38	*GREEN - COB MODULE 13
				0-255	0 to 100%
			39	39	*BLUE - COB MODULE 13
				0-255	0 to 100%

ELATION® CUEPIX PANEL™ DMX Channel Values / Functions (79 DMX Channels)						
Specifications are subject to change without any prior written notice. *Control of COB Modules depends on the Flip setting.						
MODE / CHANNEL					VALUE	FUNCTION
3 CH	6 CH	7 CH	75 CH	79 CH		
			40	40		*RED - COB MODULE 14
					0-255	0 to 100%
			41	41		*GREEN - COB MODULE 14
					0-255	0 to 100%
			42	42		*BLUE - COB MODULE 14
					0-255	0 to 100%
			43	43		*RED - COB MODULE 15
					0-255	0 to 100%
			44	44		*GREEN - COB MODULE 15
					0-255	0 to 100%
			45	45		*BLUE - COB MODULE 15
					0-255	0 to 100%
			46	46		*RED - COB MODULE 16
					0-255	0 to 100%
			47	47		*GREEN - COB MODULE 16
					0-255	0 to 100%
			48	48		*BLUE - COB MODULE 16
					0-255	0 to 100%
			49	49		*RED - COB MODULE 17
					0-255	0 to 100%
			50	50		*GREEN - COB MODULE 17
					0-255	0 to 100%
			51	51		*BLUE - COB MODULE 17
					0-255	0 to 100%
			52	52		*RED - COB MODULE 18
					0-255	0 to 100%
			53	53		*BLUE - COB MODULE 18
					0-255	0 to 100%
			54	54		*GREEN - COB MODULE 18
					0-255	0 to 100%
			55	55		*RED - COB MODULE 19
					0-255	0 to 100%
			56	56		*BLUE - COB MODULE 19
					0-255	0 to 100%
			57	57		*GREEN - COB MODULE 19
					0-255	0 to 100%
			58	58		*RED - COB MODULE 20
					0-255	0 to 100%
			59	59		*BLUE - COB MODULE 20
					0-255	0 to 100%
			60	60		*GREEN - COB MODULE 20
					0-255	0 to 100%



ELATION® CUEPIX PANEL™						
DMX Channel Values / Functions (79 DMX Channels)						
Specifications are subject to change without any prior written notice.						
*Control of COB Modules depends on the Flip setting.						
MODE / CHANNEL					VALUE	FUNCTION
3 CH	6 CH	7 CH	75 CH	79 CH		
			61	61		*RED - COB MODULE 21
					0-255	0 to 100%
			62	62		*BLUE - COB MODULE 21
					0-255	0 to 100%
			63	63		*GREEN - COB MODULE 21
					0-255	0 to 100%
			64	64		*RED - COB MODULE 22
					0-255	0 to 100%
			65	65		*BLUE - COB MODULE 22
					0-255	0 to 100%
			66	66		*GREEN - COB MODULE 22
					0-255	0 to 100%
			67	67		*RED - COB MODULE 23
					0-255	0 to 100%
			68	68		*BLUE - COB MODULE 23
					0-255	0 to 100%
			69	69		*GREEN - COB MODULE 23
					0-255	0 to 100%
			70	70		*RED - COB MODULE 24
					0-255	0 to 100%
			71	71		*BLUE - COB MODULE 24
					0-255	0 to 100%
			72	72		*GREEN - COB MODULE 24
					0-255	0 to 100%
			73	73		*RED - COB MODULE 25
					0-255	0 to 100%
			74	74		*BLUE - COB MODULE 25
					0-255	0 to 100%
			75	75		*GREEN - COB MODULE 25
					0-255	0 to 100%

ELATION® CUEPIX PANEL™					
DMX Channel Values / Functions (79 DMX Channels)					
Specifications are subject to change without any prior written notice.					
*Control of COB Modules depends on the Flip setting.					
MODE / CHANNEL				VALUE	FUNCTION
3 CH	6 CH	7 CH	75 CH	79 CH	
		4		76	<b>MACROS</b>
				0-15	NO FUNCTION
				16-23	RED
				24-31	GREEN
				32-39	BLUE
				40-47	RED-GREEN
				48-55	GREEN-BLUE
				56-63	RED-BLUE
				64-71	RED-GREEN-BLUE
				72-79	Color Macro 1
				80-87	Color Macro 2
				88-95	Color Macro 3
				96-103	Color Macro 4
				104-111	Color Macro 5
				112-119	Color Macro 6
				120-127	Color Macro 7
				128-135	Color Macro 8
				136-143	DREAM Macro
				144-151	METEOR Macro
				152-159	FADE Macro
				160-167	CHANGE Macro
				168-175	FLOW Macro 1
				176-183	FLOW Macro 2
				184-191	FLOW Macro 3
				192-199	FLOW Macro 4
				200-207	FLOW Macro 5
				208-215	FLOW Macro 6
				216-223	FLOW Macro 7
				224-231	FLOW Macro 8
				232-239	FLOW Macro 9
				240-255	NO FUNCTION
		5		77	<b>DIMMER / SPEED**</b>
					<b>**DIMMER</b> Control ONLY when <b>MACRO Channel DMX Value is (0-135)</b> <b>**SPEED</b> Control ONLY when <b>MACRO Channel DMX Value is (136-239)</b>
				0-255	<b>**DIMMER / SPEED</b> Control SLOW to FAST
	5	6		78	<b>FLASH / STROBE</b>
				0-255	Flash / Strobe Effect SLOW to FAST
	6	7		79	<b>DIMMING CURVE MODES</b>
				0-41	STANDARD
				42-84	STAGE
				85-127	TV
				128-170	ARCHITECTURAL
				171-213	THEATRE
				214-255	Default to Unit Setting

## CLEANING AND MAINTENANCE



**C A U T I O N**

**Disconnect power before cleaning or maintenance.**

### CLEANING

Frequent cleaning is recommended to insure proper function, optimized light output, and an extended life. The frequency of cleaning depends on the environment in which the fixture operates: damp, smoky or particularly dirty environments can cause greater accumulation of dirt on the fixture's optics.

- Clean the external lens surface at least every 20 days with a soft cloth to avoid dirt/debris accumulation.
- Never use alcohol, solvents, or ammonia based cleaners.

### MAINTENANCE

Regular inspections are recommended to insure proper function and extended life. There are no user serviceable parts inside this fixture, please refer all other service issues to an authorized Elation service technician. Should you need any spare parts, please order genuine parts from your local Elation dealer.

Please refer to the following points during routine inspections:

- A detailed electric check by an approved electrical engineer every three months, to make sure the circuit contacts are in good condition and prevent overheating.
- Be sure all screws and fasteners are securely tightened at all times. Loose screws may fall out during normal operation resulting in damage or injury as larger parts could fall.
- Check for any deformations on the housing, color lenses, rigging hardware and rigging points (ceiling, suspension, trussing). Deformations in the housing could allow for dust to enter into the fixture. Damaged rigging points or unsecured rigging could cause the fixture to fall and seriously injure a person(s).
- Electric power supply cables must not show any damage, material fatigue or sediments. Never remove the ground prong from the power cable.

# TECHNICAL SPECIFICATIONS

## FEATURES

(25) 30W Long Life 3-in-1 RGB COB LEDs  
60° Beam Angle - 80° Field Angle  
Individual Control of Each COB Module  
5 Variable Dimming Curve Modes  
RDM (Remote Device Management)  
Flicker FREE Operation for TV and FILM

## SOURCE

(25) 30W 3-10-1 RGB COB LEDs  
100,000 Hour Average Life

## EFFECTS

Strobe  
Variable Dimming Curves

## CONTROL / CONNECTIONS

5 DMX Channel Modes (3 / 6 / 7 / 75 / 79)  
4 Button Control Panel and LCD Menu Display  
3pin and 5pin DMX In/Out  
RDM (Remote Device Management)  
Power In/Out

## SIZE / WEIGHT

Length: 24.5" (618 mm)  
Width: 5.6" (143 mm)  
Vertical Height: 25.8" (654 mm)  
Weight: 36.4 lbs. (16.5 kg)

## ELECTRICAL / THERMAL

AC 100-240V - 50/60Hz  
750W Max Power Consumption  
-14°F to 113°F (-10°C to 45°C)  
Power Linking: 2pcs @120V / 4pcs @220V

## APPROVALS / RATINGS

CE  
IP20

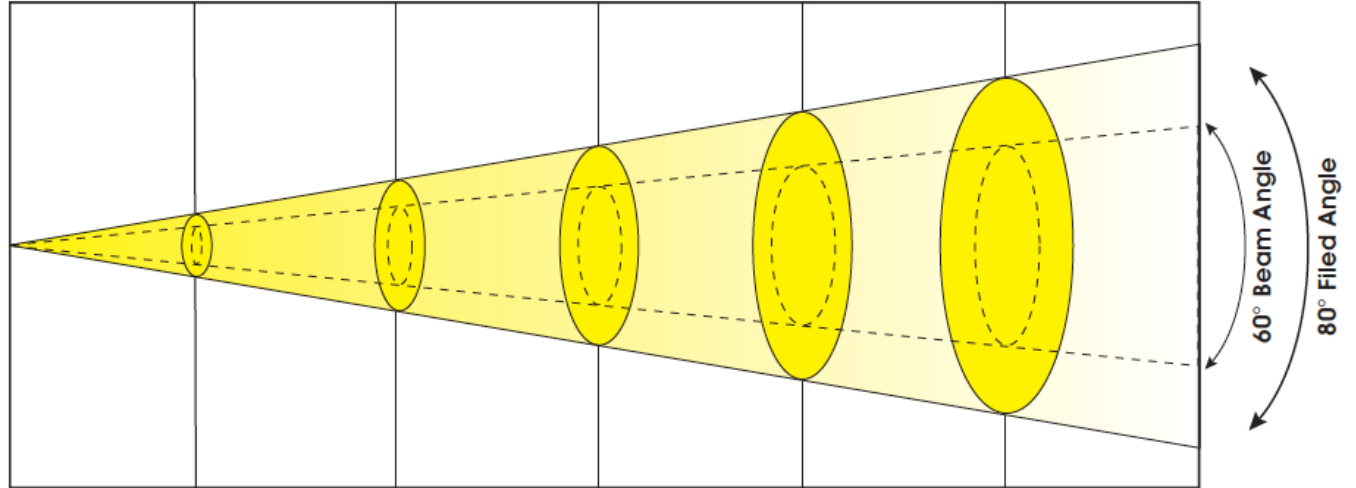
Please Note: Specifications and improvements in the design of this unit and this manual are subject to change without any prior written notice.



### PHOTOMETRIC DATA

RED LEDs	307 FC / 3310 LUX	98 FC / 1058 LUX	50 FC / 535 LUX	27 FC / 295 LUX	15 FC / 161 LUX
GREEN LEDs	346 FC / 3720 LUX	112 FC / 1205 LUX	73 FC / 784 LUX	34 FC / 364 LUX	19 FC / 203 LUX
BLUE LEDs	545 FC / 5870 LUX	175 FC / 1880 LUX	105 FC / 1135 LUX	59 FC / 635 LUX	28 FC / 302 LUX
FULL ON	1439 FC / 15,490 LUX	486 FC / 5230 LUX	234 FC / 2520 LUX	107 FC / 1150 LUX	68 FC / 731 LUX

LUX x 0.0929 = FC

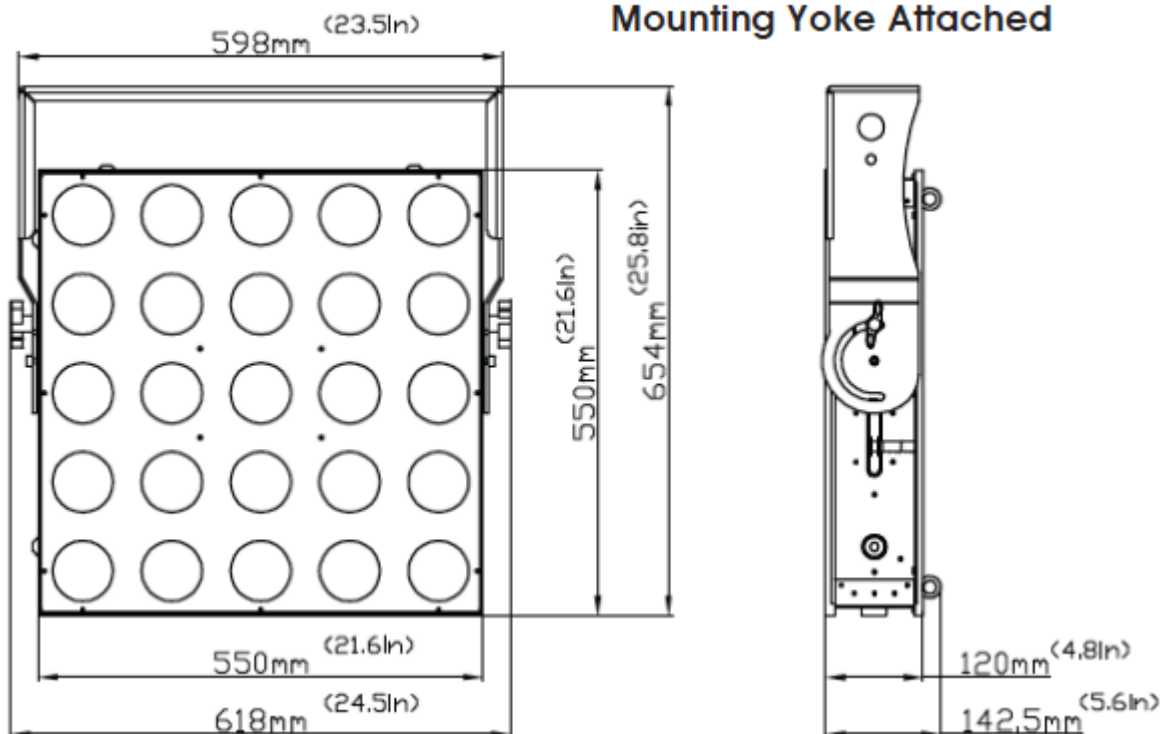


0 m	1 m	2 m	3 m	4 m	5 m
0 ft	3.3 ft	6.6 ft	9.8 ft	13.1 ft	16.4 ft

Max Beam Diameter

60° Beam Angle	∅ 1.7 m / ∅ 5.4 ft	∅ 2.9 m / ∅ 9.4 ft	∅ 4.0 m / ∅ 13.0 ft	∅ 5.1 m / ∅ 16.7 ft	∅ 6.3 m / ∅ 20.5 ft
80° Field Angle	∅ 2.2 m / ∅ 7.2 ft	∅ 3.9 m / ∅ 12.6 ft	∅ 5.5 m / ∅ 18.1 ft	∅ 7.2 m / ∅ 23.6 ft	∅ 8.9 m / ∅ 29.2 ft

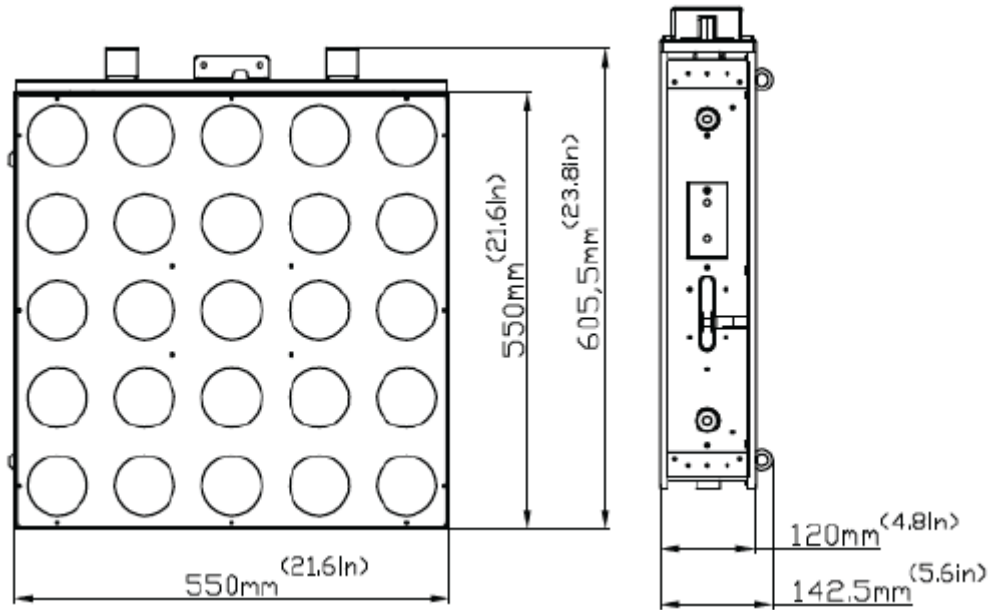
### DIMENSIONAL DRAWINGS



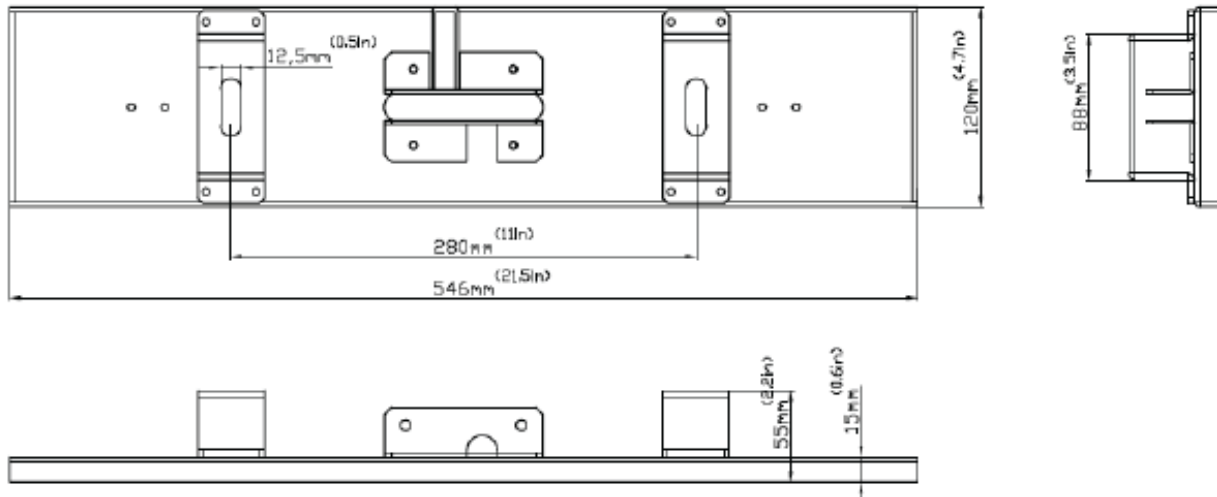
Please Note: Specifications and improvements in the design of this unit and this manual are subject to change without any prior written notice.

**DIMENSIONAL DRAWINGS [continued]**

**Optional Rigging Bar Attached**



**Optional Rigging Bar  
(Holds Up To 4 Panels Max)**



Please Note: Specifications and improvements in the design of this unit and this manual are subject to change without any prior written notice.

## OPTIONAL ACCESSORIES

ORDER CODE	ITEM
<b>CRB001</b>	CUEPIX PANEL Rigging Bracket For (4) Panels MAX
<b>CUE295/15LK</b>	CUEPIX PANEL 15 Degree Lens Kit
<b>TRIGGER CLAMP</b>	Heavy Duty Wrap Around Hook Style Clamp
<b>EWDMXSYSTEM</b>	Wireless DMX System (1 Transmitter, 1 Receiver)
<b>EWDMXT</b>	Wireless DMX Transmitter
<b>EWDMXR</b>	Wireless DMX Receiver
<b>AC3PDMX5PRO</b>	5 ft. (1.5m) 3pin PRO DMX Cable
<b>AC3PDMX10PRO</b>	10 ft. (3m) 3pin PRO DMX Cable
<b>AC5PDMX5PRO</b>	5 ft. (1.5m) 5pin PRO DMX Cable
<b>AC5PDMX10PRO</b>	10 ft. (3m) 5pin PRO DMX Cable
<b>PLC3</b>	3' (1m) PRO Link Cable
<b>PLC6</b>	6' (1.8m) PRO Link Cable
	Additional cable lengths available

