



RAYZOR 360Z™

The RAYZOR 360Z™ is a brilliant compact beam moving effect luminaire with (3) 60W Osram™ RGBW LEDs. Features include 8° to 77° motorized zoom, fast and precise 16-bit continuous full 360° pan and tilt rotation, full pixel control, adjustable color temperature (2,700K - 8,000K), electronic strobe, dimmer, and variable dimming curve effects, DMX, RDM (Remote Device Management), Art-NET, and sACN protocol support, 5pin XLR, RJ45 ethernet, and Locking Power Cable in/out connections, (7) button control full color 180° reversible menu display, multiple unit power linking, flicker free operation for TV and FILM, and a multi-voltage universal auto switching power supply (100-240v).



FEATURES

Compact Beam Moving Effect Luminaire with Zoom

(3) 60W Osram™ RGBW LEDs

8° to 77° Motorized Zoom and Full Pixel Control

Fast and Precise 16-Bit Continuous 360° Pan/Tilt Rotation

8 Color Presets and 8 Chase Macros

Linear Color Temperature Presets (2,700 - 8,000K)

Electronic Strobe and Variable Dimming Curve Effects

Flicker Free Operation for Broadcast TV and FILM

Adjustable Refresh Rate Frequency and GAMMA

DMX, RDM, and Art-NET, sACN Protocol Support



Specifications are subject to change without notice ©Elation Professional 10/16/20

Elation Professional USA | 6122 S. Eastern Ave. | Los Angeles, CA. 90040
323-582-3322 | 323-832-9142 fax | www.elationlighting.com | info@elationlighting.com

Elation Professional B.V. | Junostraat 2 | 6468 EW Kerkrade, The Netherlands
+31 45 546 85 66 | +31 45 546 85 96 fax | www.elationlighting.eu | info@elationlighting.eu

SPECIFICATIONS

SOURCE

(3) 60W Osram™ RGBW LEDs
50,000 Hour Average LED Life*

*LED Life may vary depending on several factors including but not limited to:
Environmental Conditions, Power/Voltage, Usage Patterns (On-Off Cycling), Control and Dimming.

PHOTOMETRIC DATA

28,020 LUX 2,603 FC @6.6' (2m) (8° Min Zoom) Full ON
545 LUX 51 FC @6.6' (2m) (77° Max Zoom) Full ON
CRI 80
Zoom Range 8° - 77°
Beam Angle 4.6° - 56.8°
Field Angle 5.8° - 74.1°

EFFECTS

Motorized Zoom
Linear Color Temperature Presets (2,700 - 8,000K)
RGBW Color Mixing and Pixel Control
8 Color Presets and 8 Chase Macros
Electronic Strobe and Variable Dimming Curves

COLOR

RGBW

CONTROL / CONNECTIONS

(3) DMX Channel Modes (20 / 26 / 32)
360° Continuous Pan and Tilt Movement
Adjustable Refresh Rate (900-25,000 Hz)
Adjustable Gamma Brightness (2.0, 2.2, 2.4, 2.8)
(6) Button Touch Control Panel
8 / 16 Bit Resolution Adjustable Movement
Full Color 180° Reversible LCD Menu Display
5pin XLR DMX In/Out
RDM (Remote Device Management)
RJ45 ethernet In/Out (Art-NET, sACN)
Locking Power Cable In/Out

SIZE / WEIGHT

Length: 11.0" (280.6mm)
Width: 7.9" (199.5mm)
Vertical Height: 16.6" (422.1mm)
Weight: 17.0 lbs. (7.7 kg)

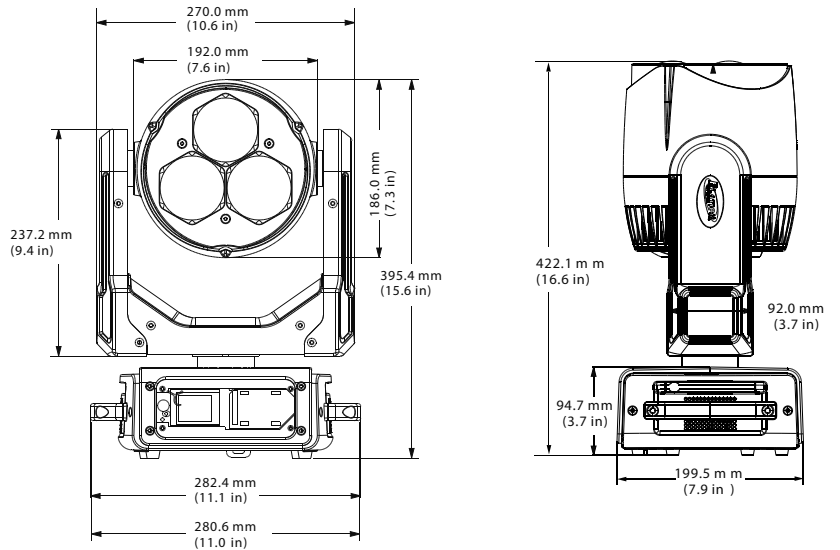
ELECTRICAL / THERMAL

AC 100-240V - 50/60Hz
300W Max Power Consumption
14°F to 113°F (-10°C to 45°C)
BTU/hr (+/- 10%) 930.93

APPROVALS / RATINGS



DIMENSIONAL DRAWINGS



ORDERING INFORMATION

PRODUCT ORDER CODE	
RAY552	RAYZOR 360Z
OPTIONAL ACCESSORIES ORDER CODES	
DRCZ360Z	4-Pack Road Case for RAYZOR 360Z
TRIGGER CLAMP	Heavy Duty Wrap Around Hook Style Clamp
AC5PDMX5PRO	5 ft. (1.5m) 5pin PRO DMX Cable
CAT005	5' (1.5m) CAT6 ethernet Cable
NEU088	3' (1m) Locking PRO Link Cable
	Additional cable lengths available

Specifications are subject to change without notice ©Elation Professional 10/16/20



Elation Professional USA | 6122 S. Eastern Ave. | Los Angeles, CA. 90040
323-582-3322 | 323-832-9142 fax | www.elationlighting.com | info@elationlighting.com

Elation Professional B.V. | Junostraat 2 | 6468 EW Kerkrade, The Netherlands
+31 45 546 85 66 | +31 45 546 85 96 fax | www.elationlighting.eu | info@elationlighting.eu